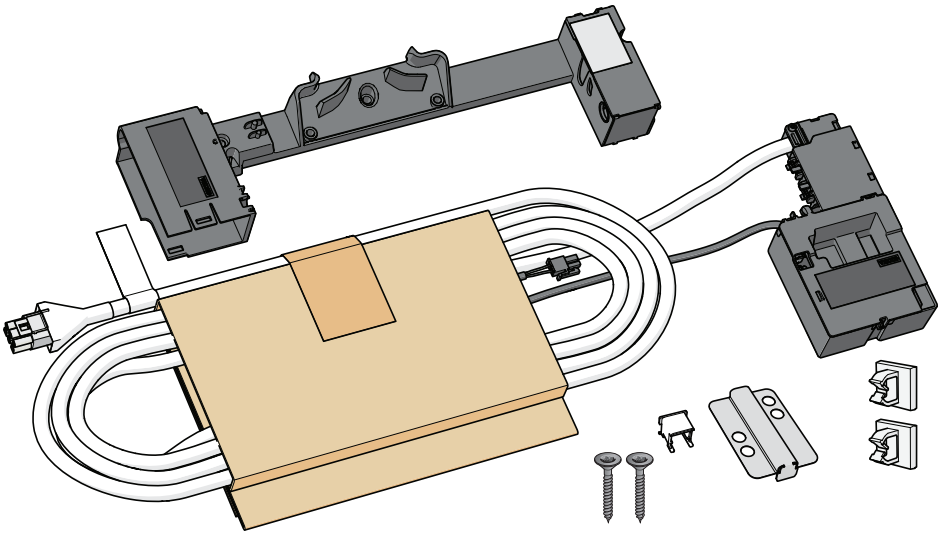
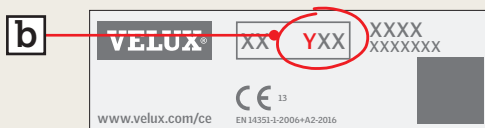
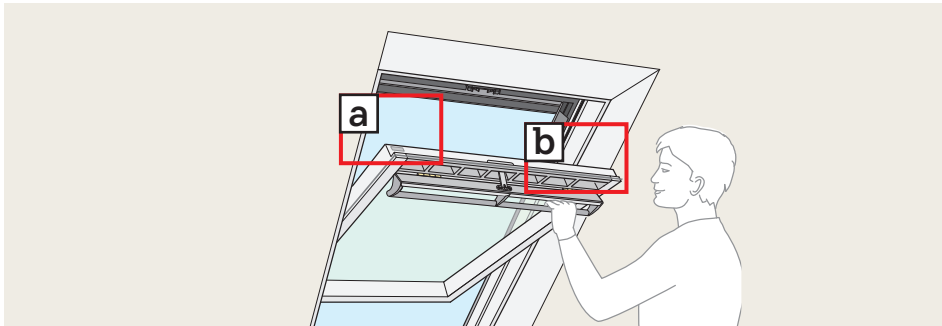


KLC 230



VAS 455595-2026-05



FK04	MK27	PK25	SK01	UK04
FK06	MK04	PK04	SK04	UK08
FK08	MK06	PK06	SK06	UK10
	MK08	PK08	SK08	
	MK10	PK10	SK10	
	MK12			



BK04	CK01
	CK02
	CK04
	CK06

KLC 230



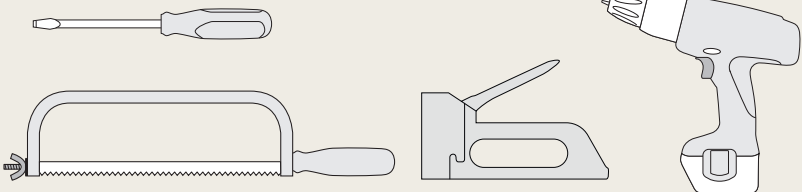
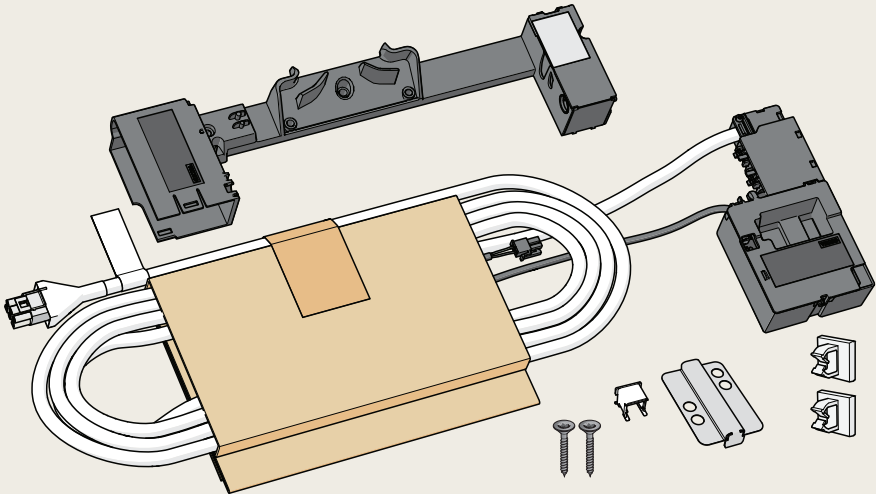
GGL/GGU



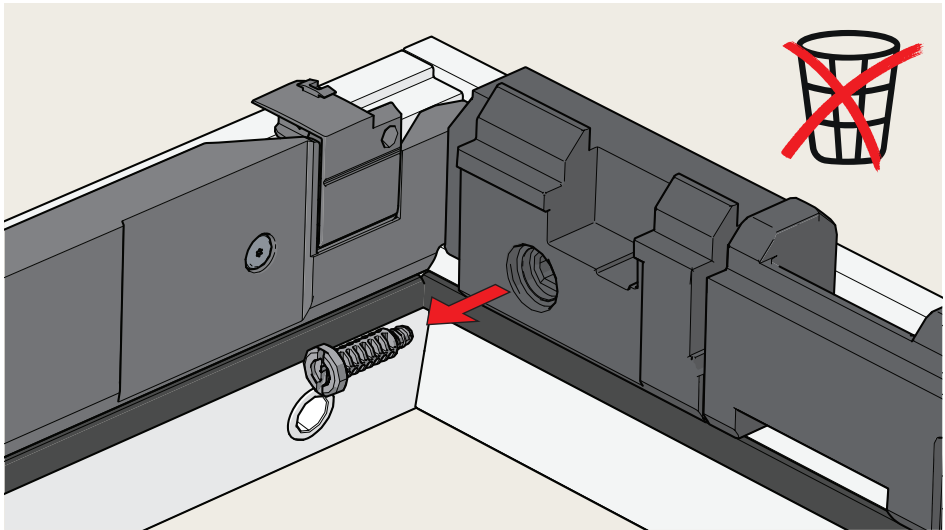
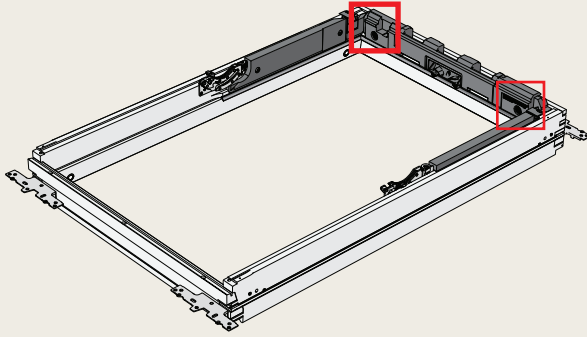
SML-K Electric



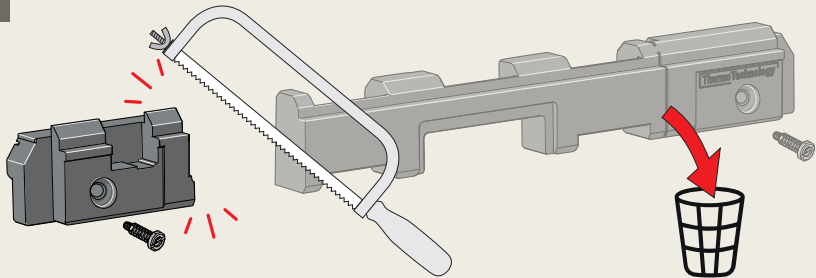
ZZZ 275

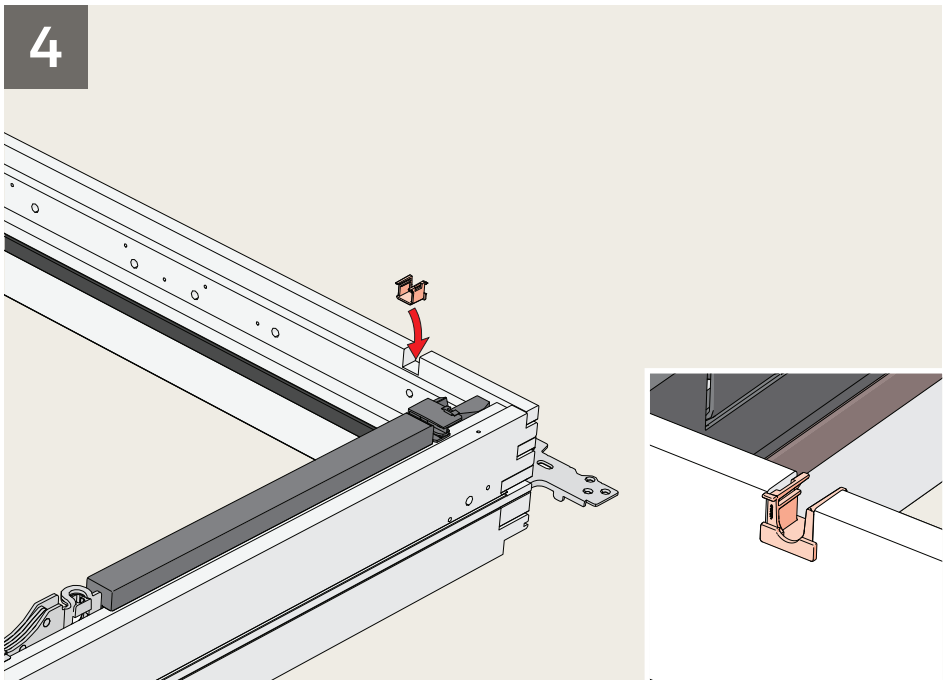
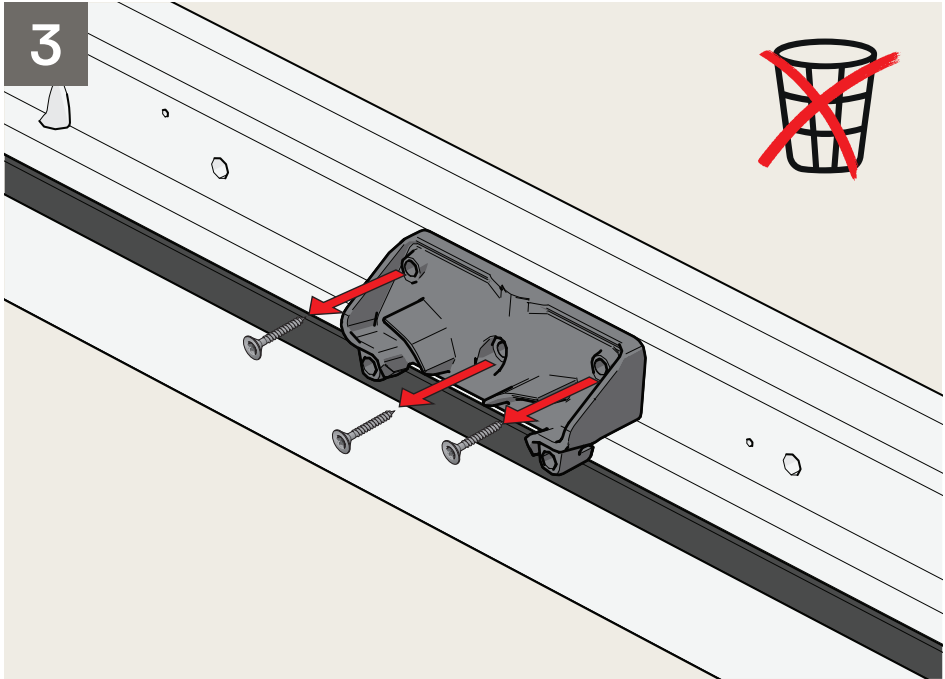


1

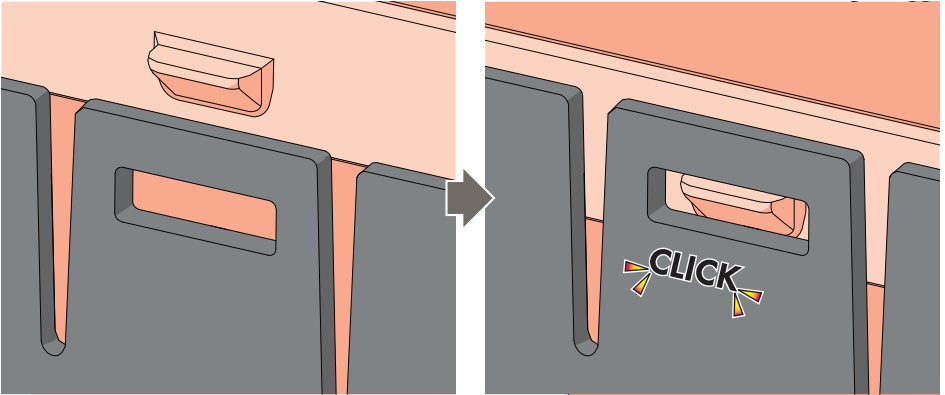
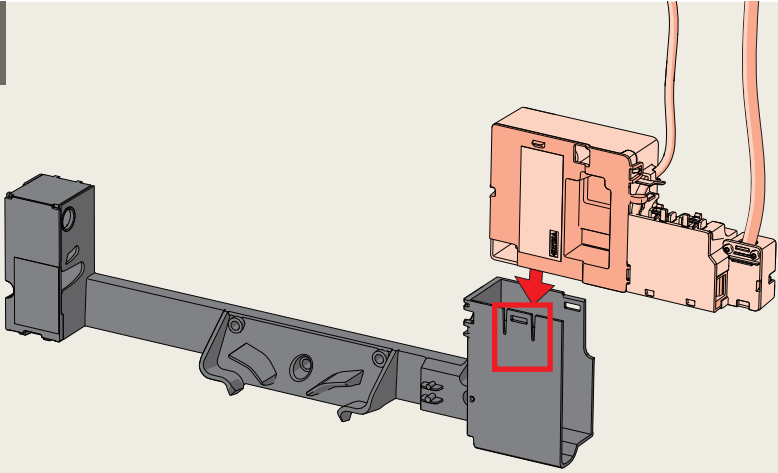


2

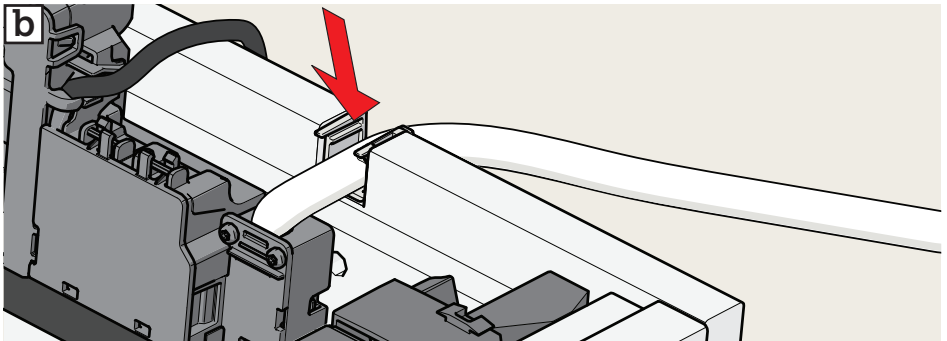
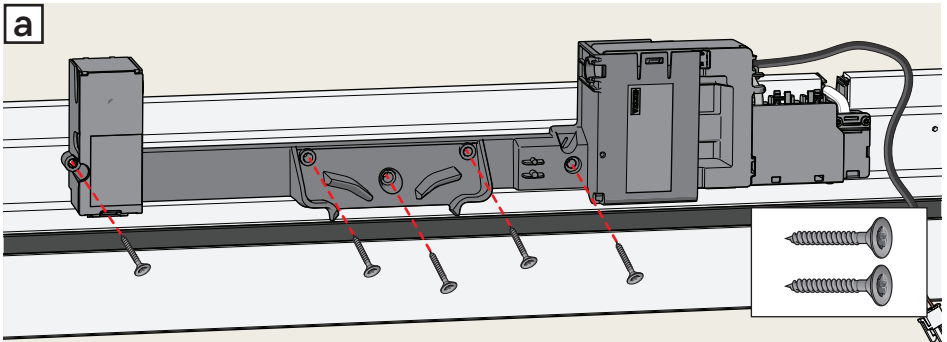
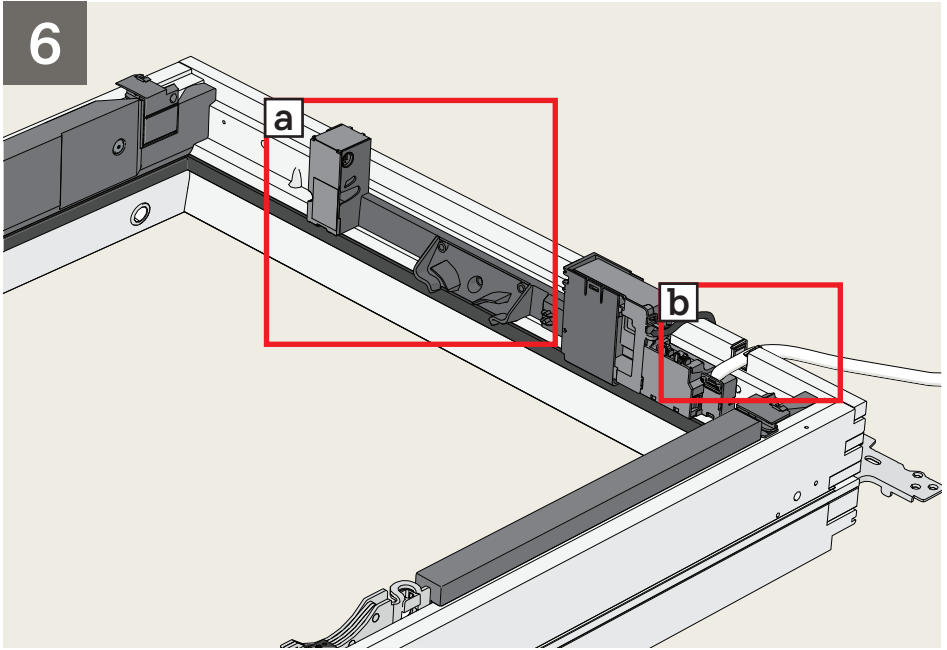


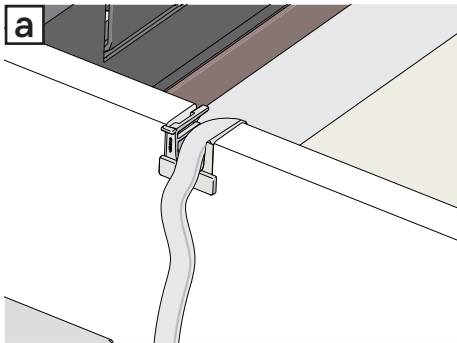
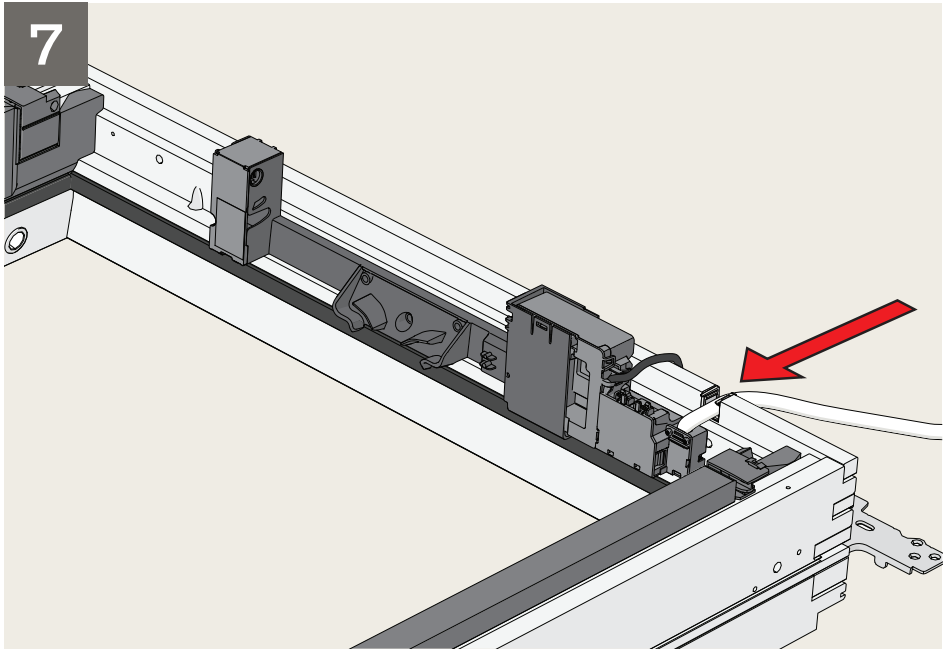


5

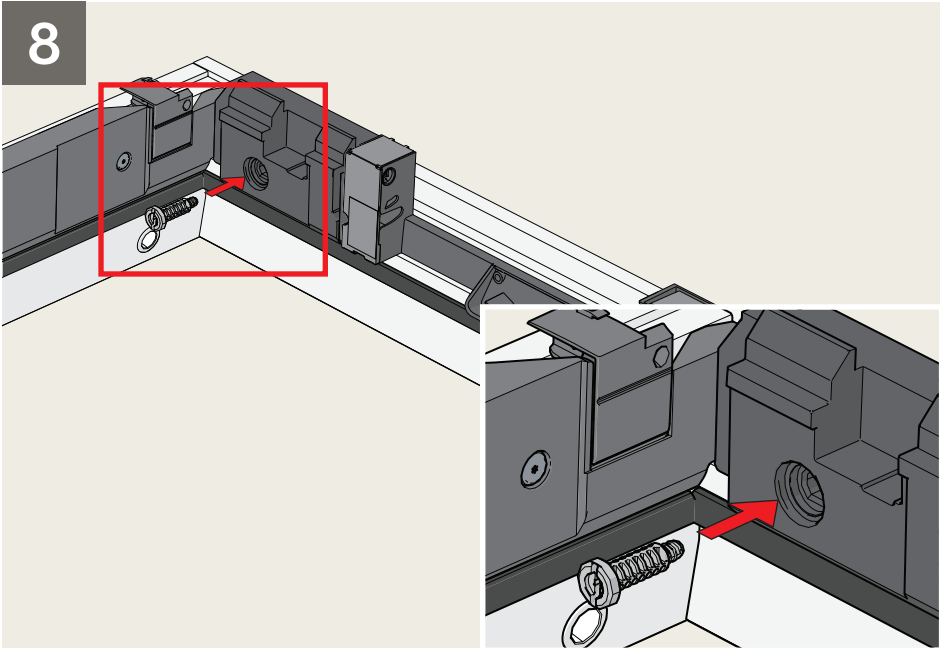


6

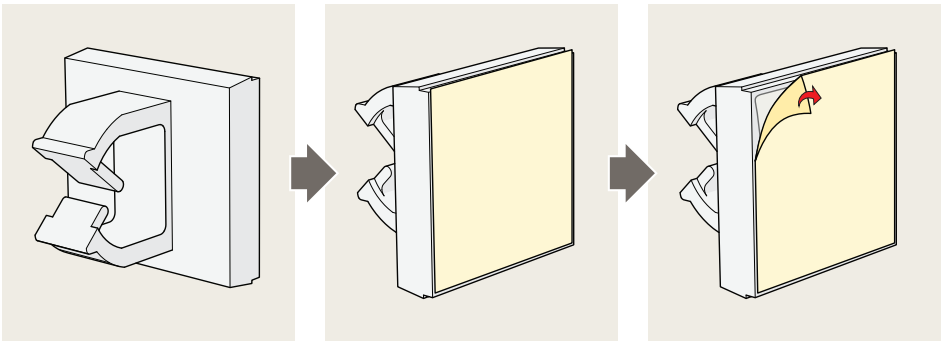
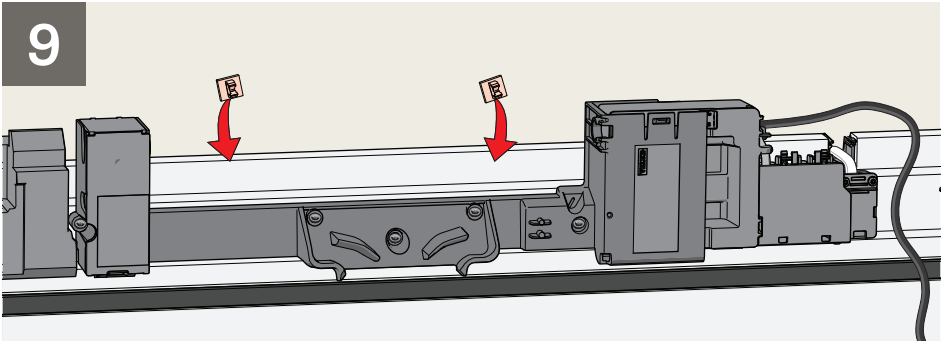




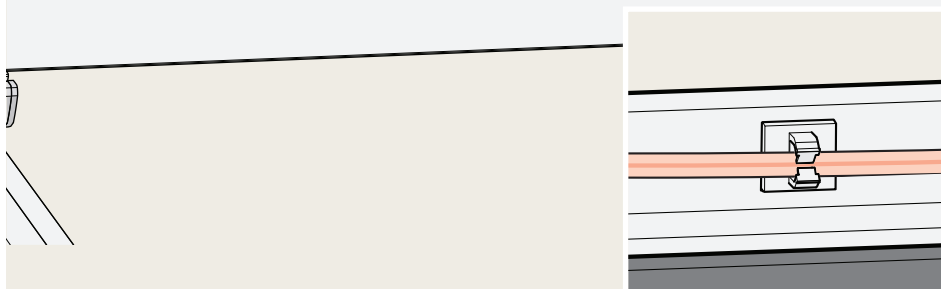
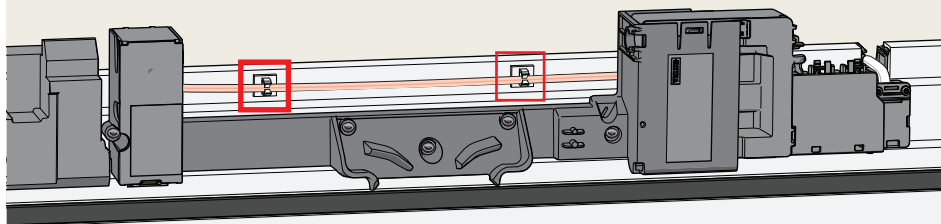
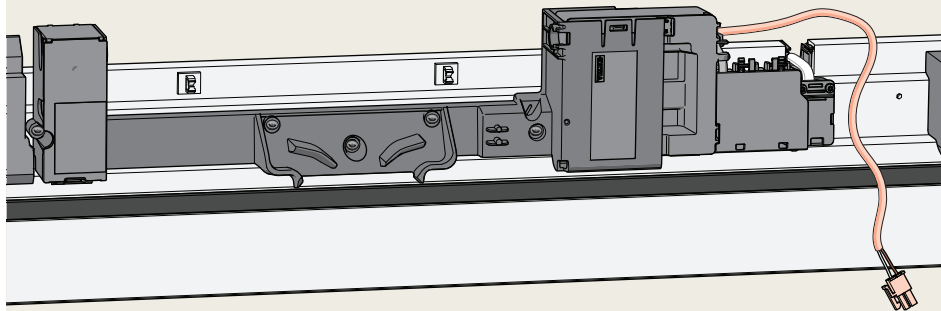
8



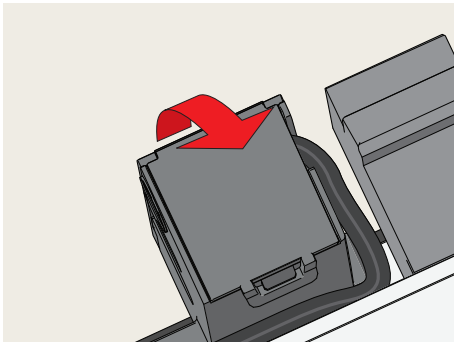
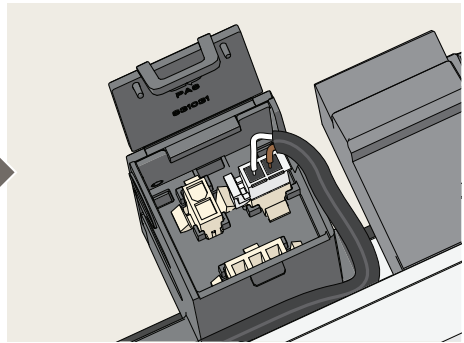
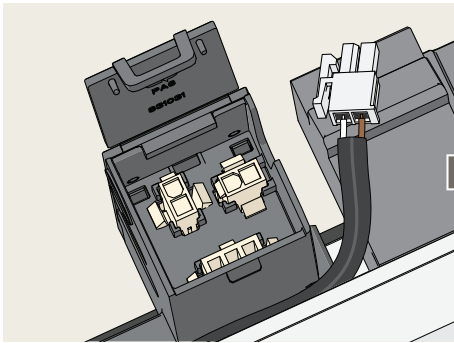
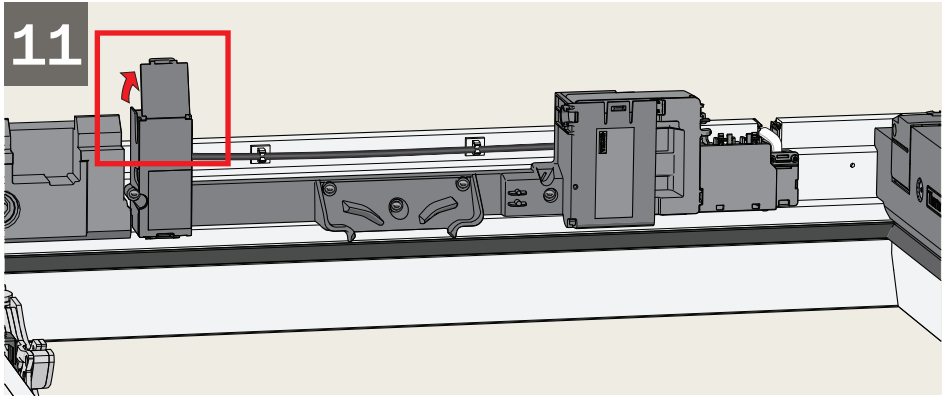
9



10



11



www.velux.com/electricalsupport



www.velux.com



velux.com/contact

INSTALLATION INSTRUCTIONS FOR USE FOR KLIC 230. ©2026 VELUX GROUP @VELUX, THE VELUX LOGO ARE REGISTERED TRADEMARKS USED UNDER LICENCE BY THE VELUX GROUP