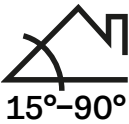
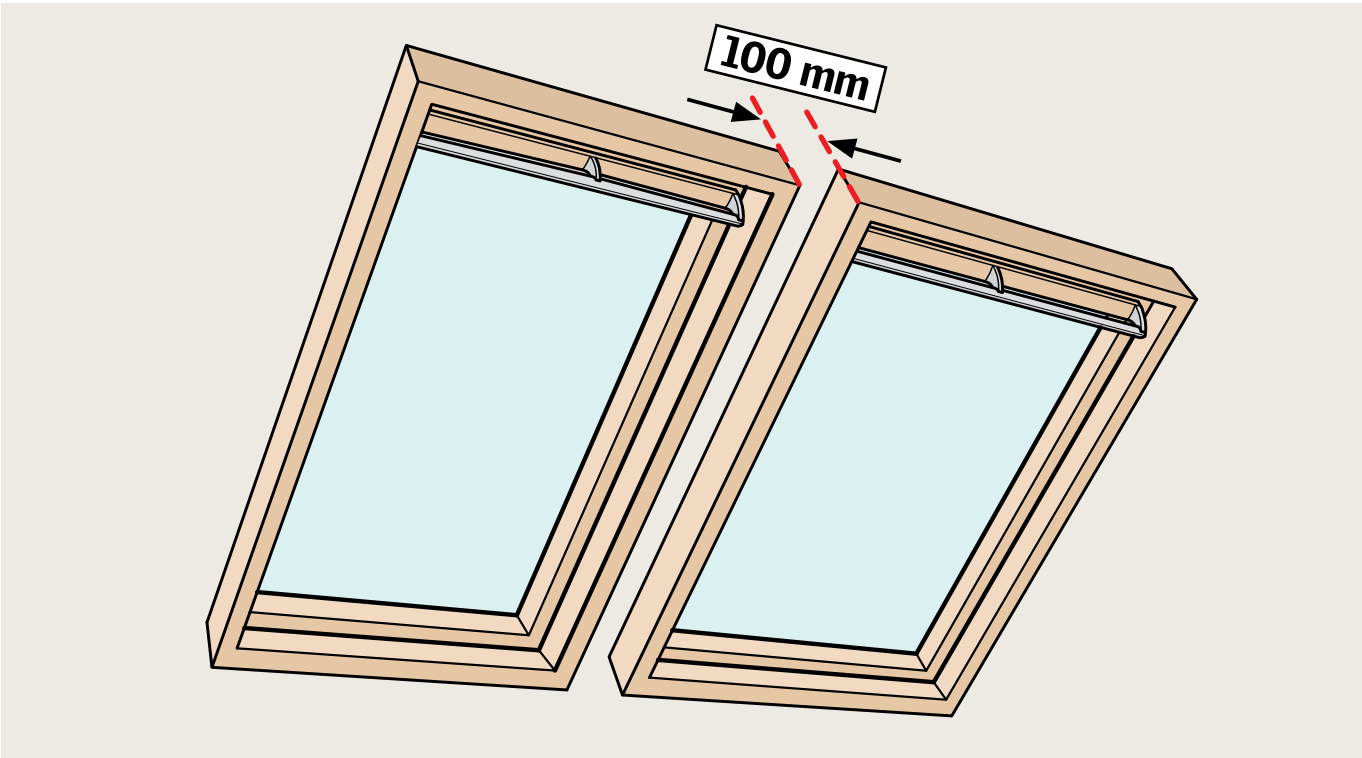
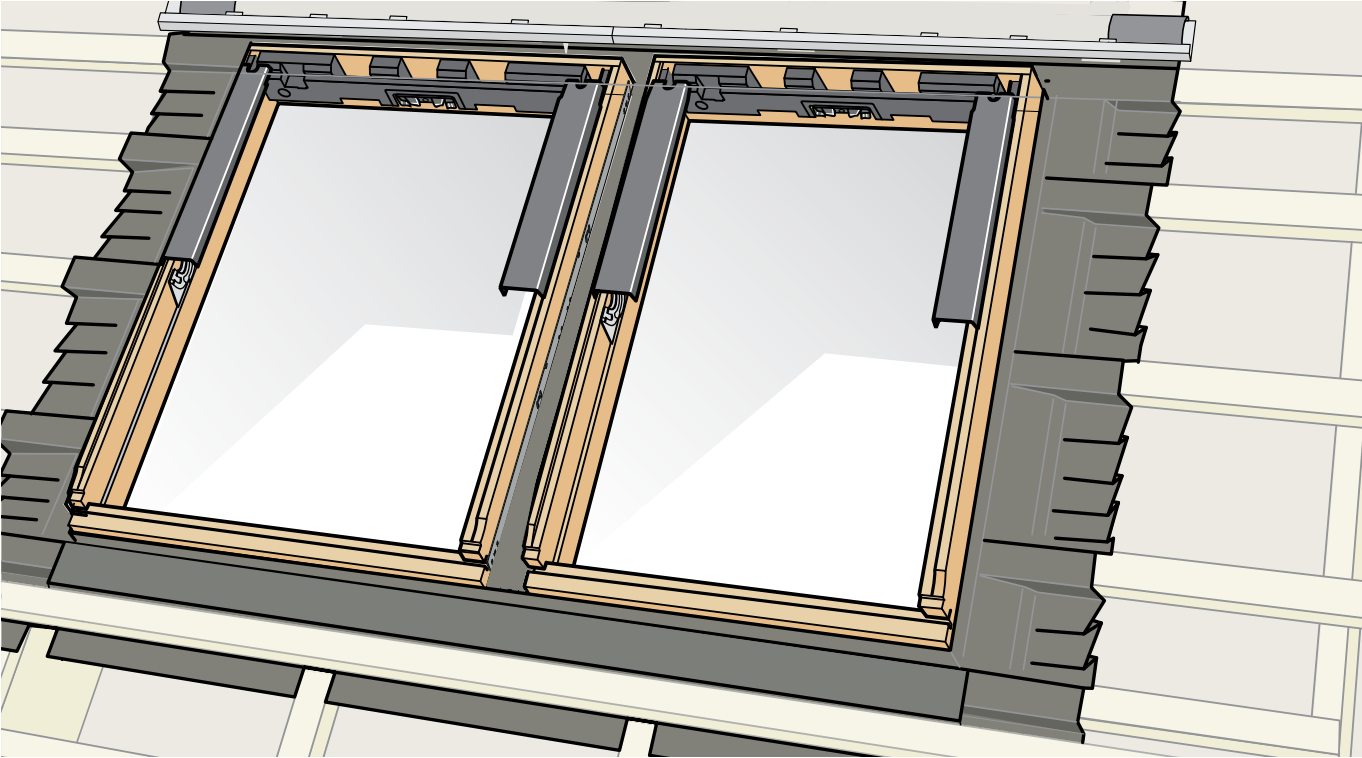
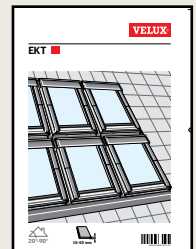
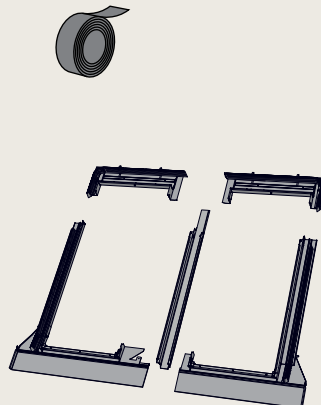
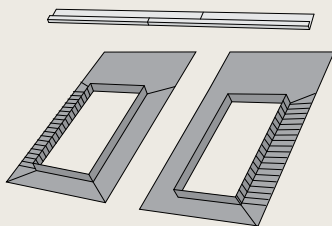
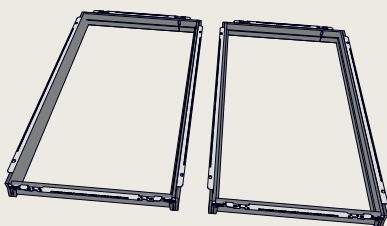
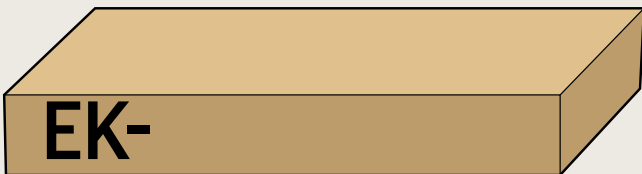
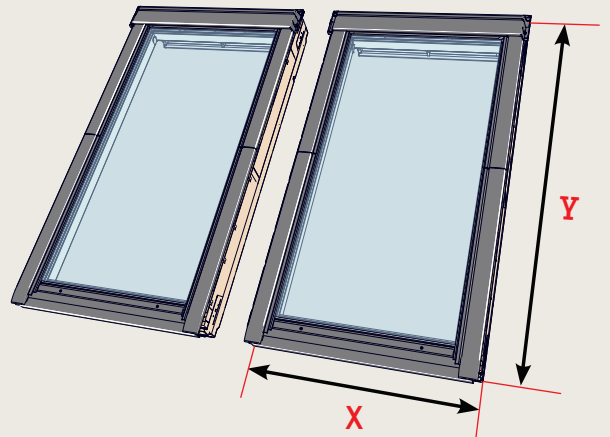
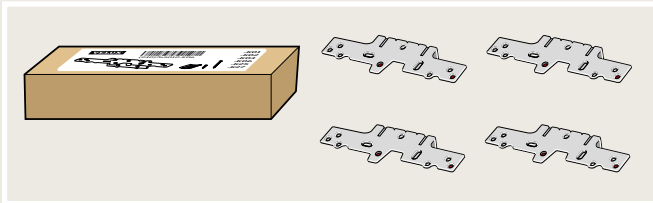
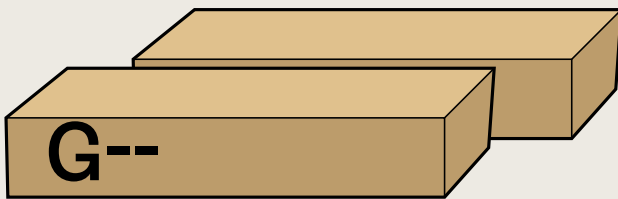
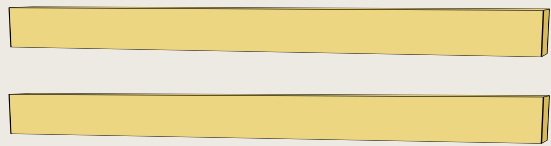
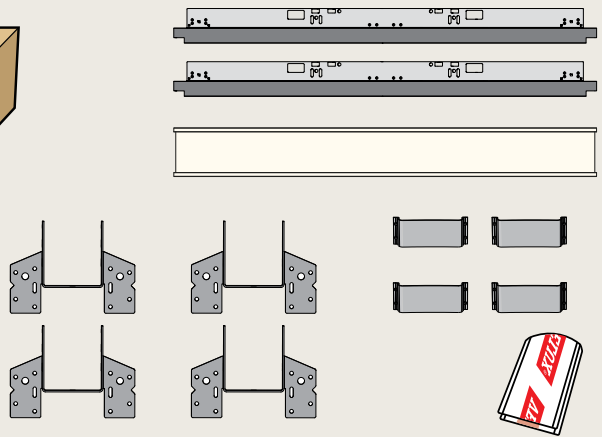
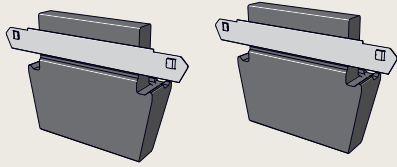
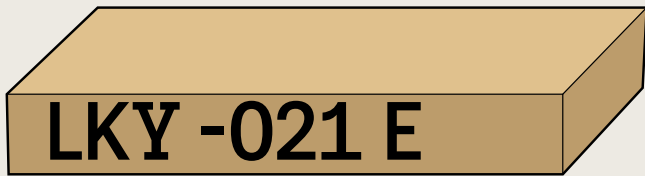
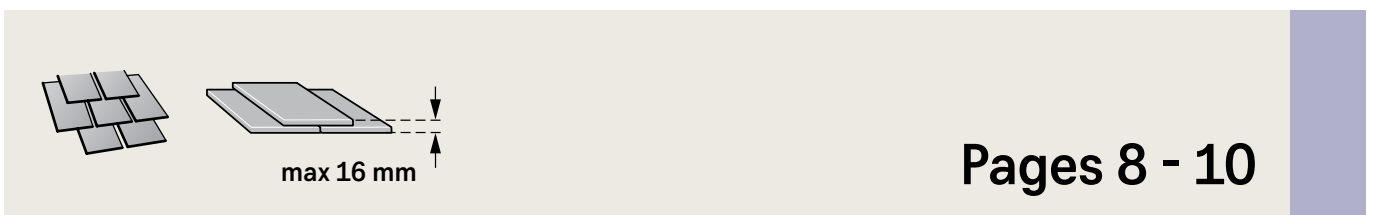
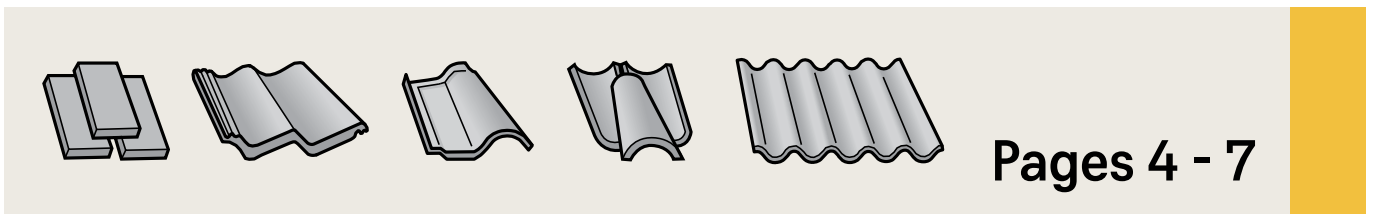
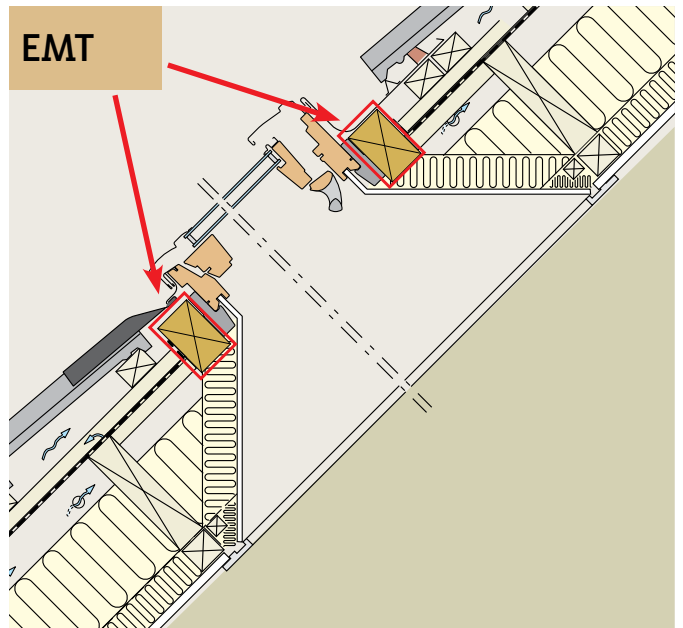
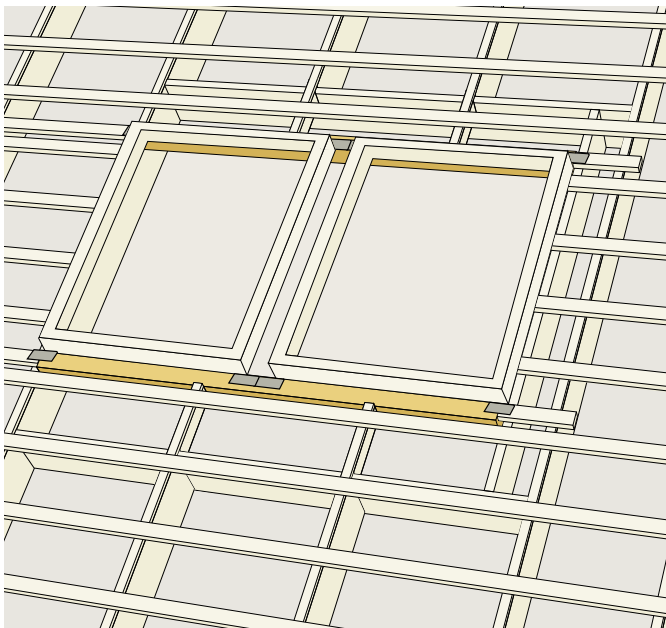
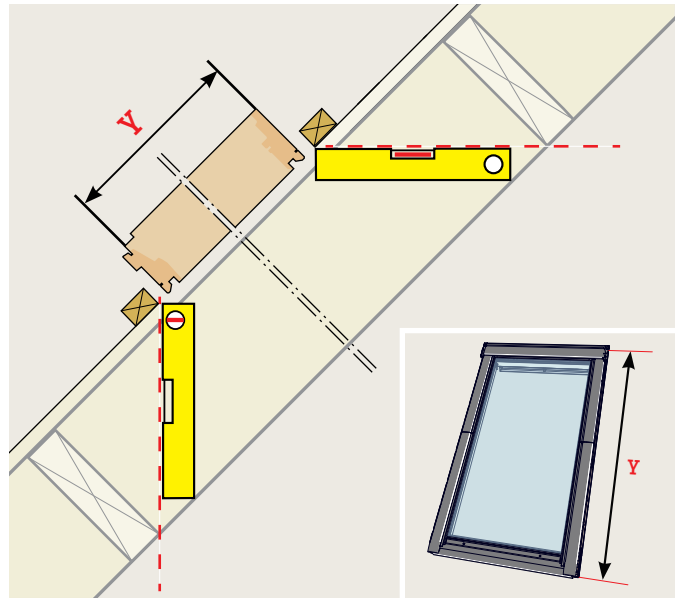
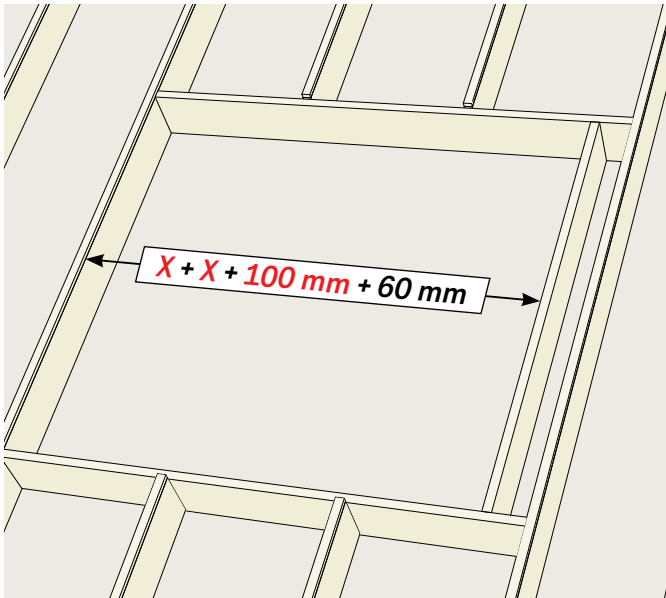


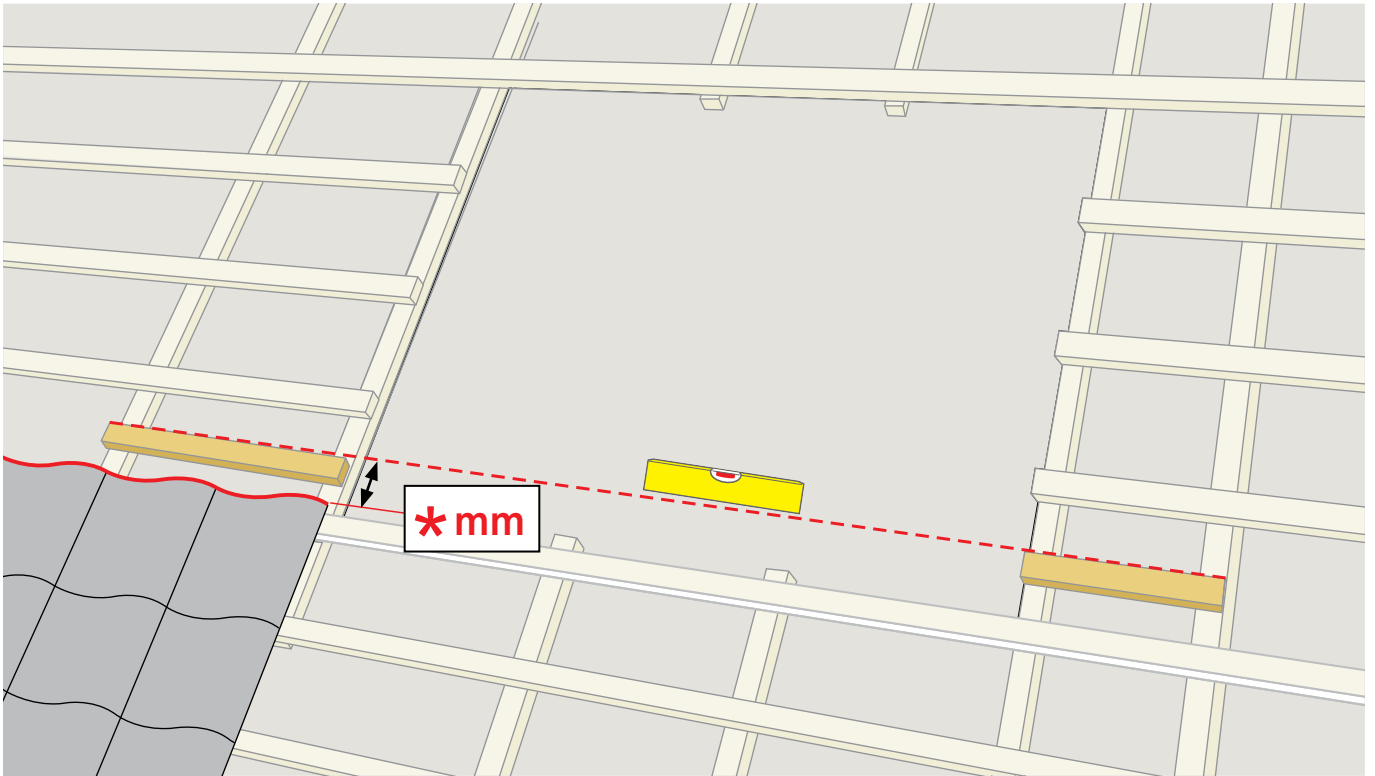
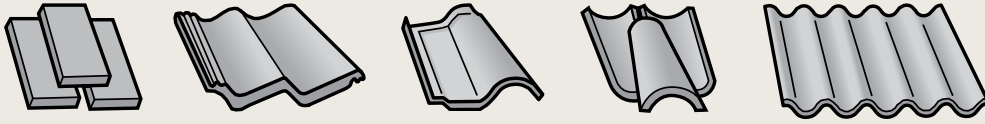
LKY -021 E ■





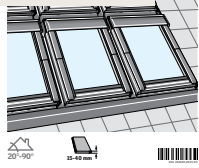


1

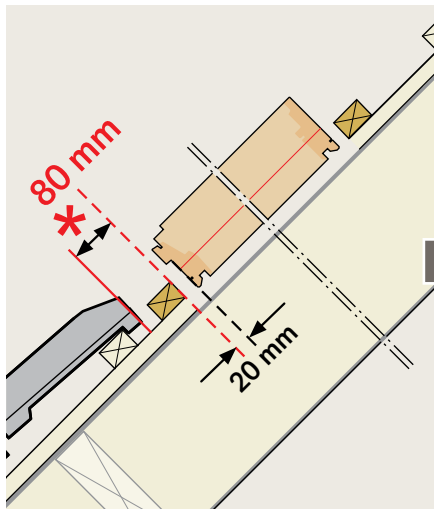


*

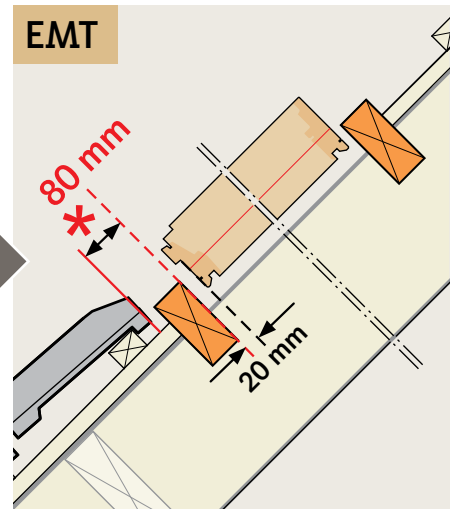
EKW
EKZ



= 80 mm

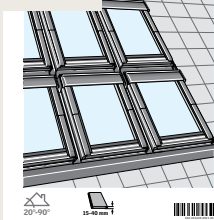


EMT

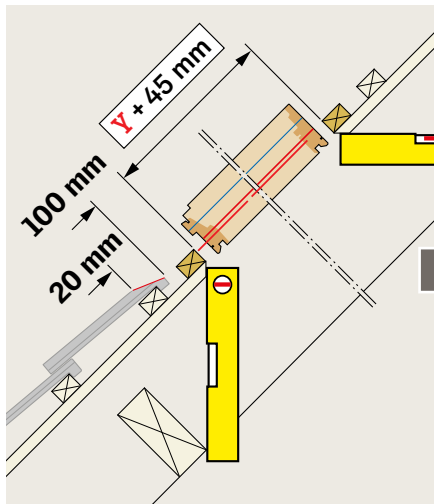


*

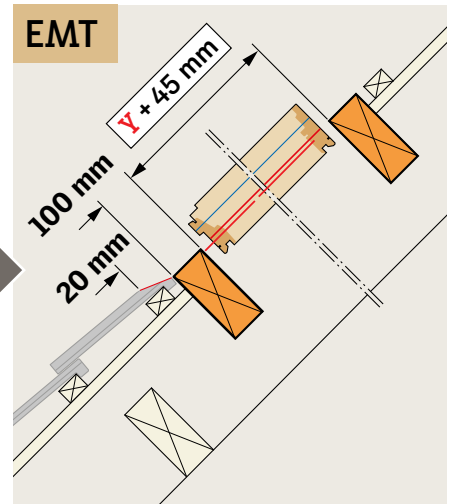
EKT

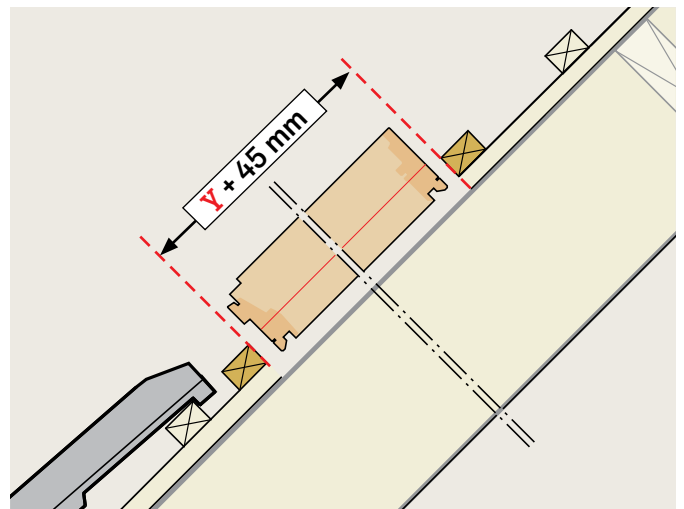
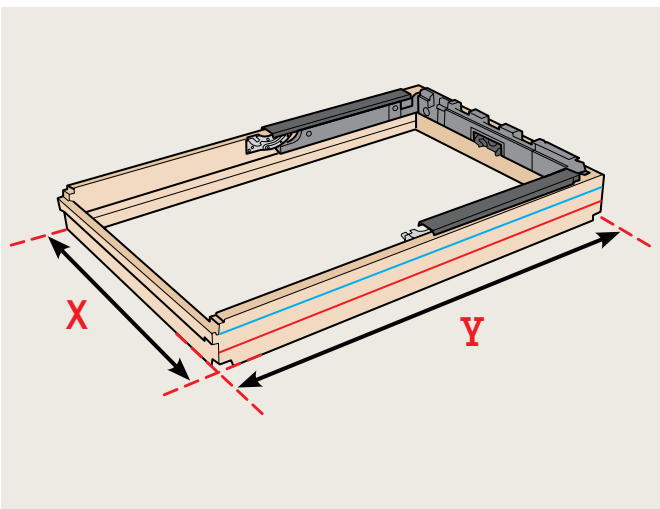
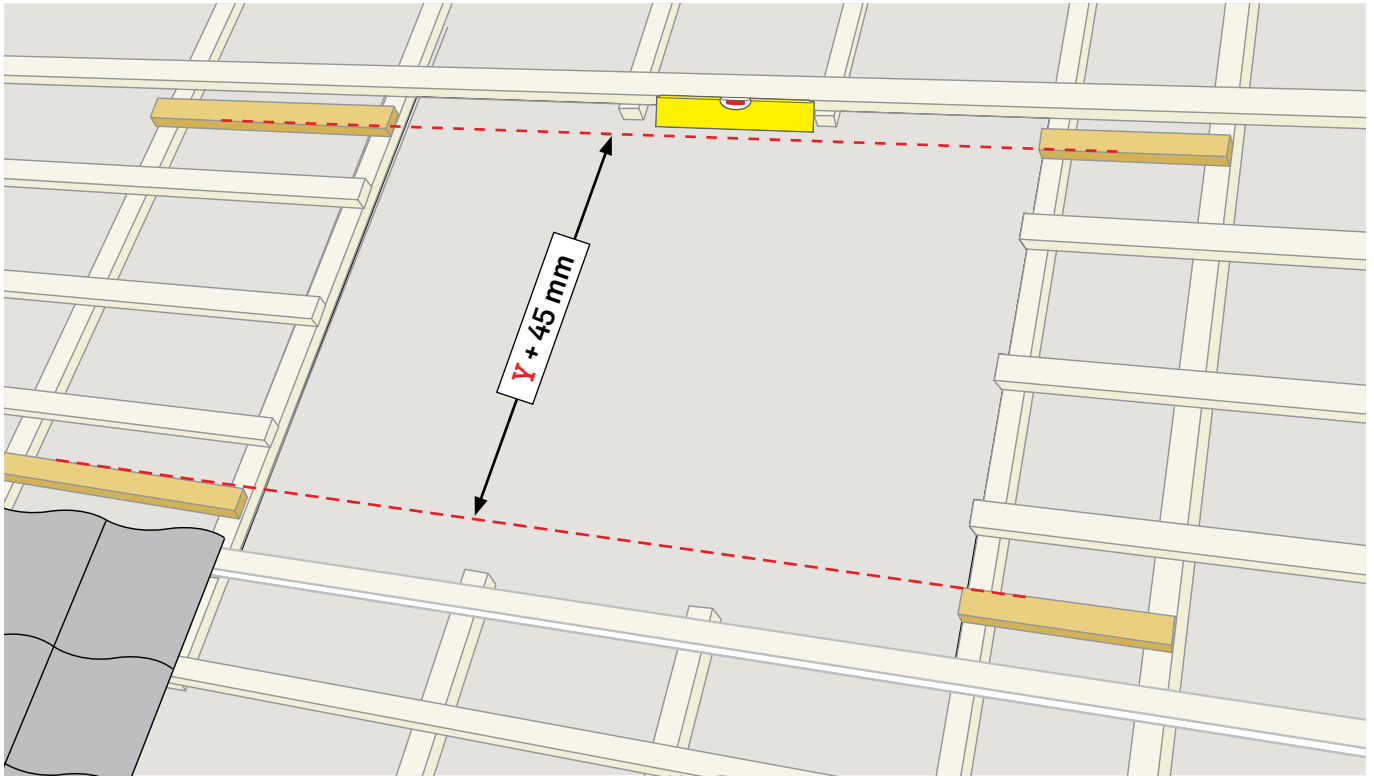
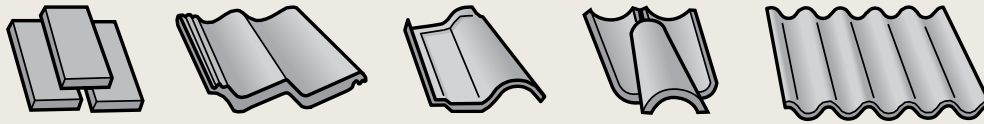


= 120 mm

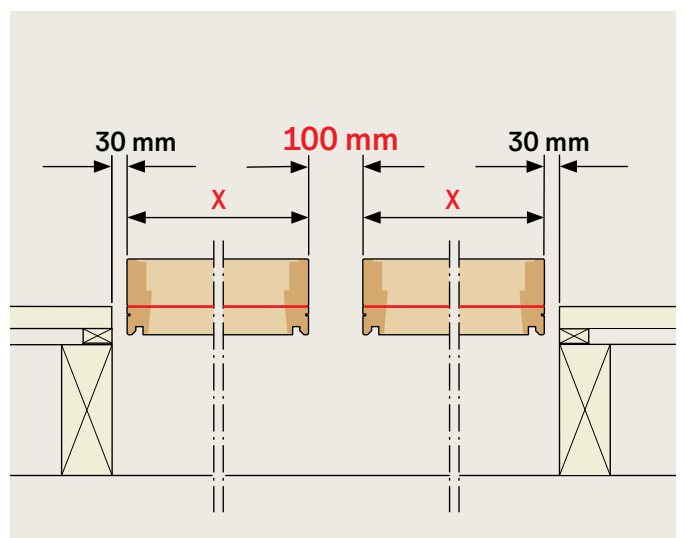
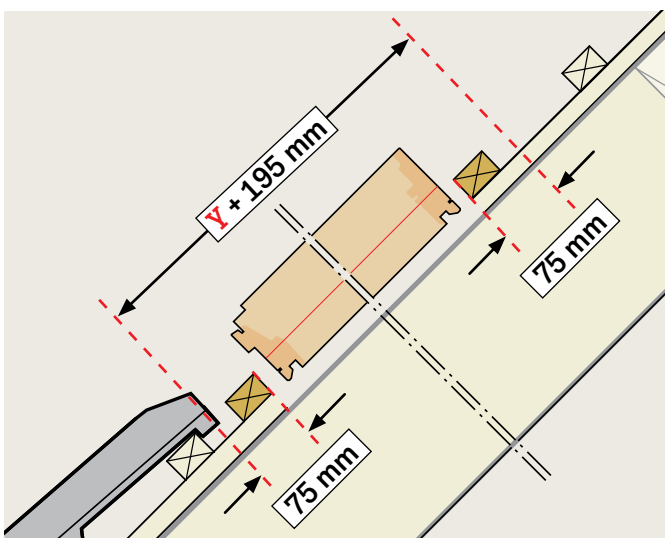
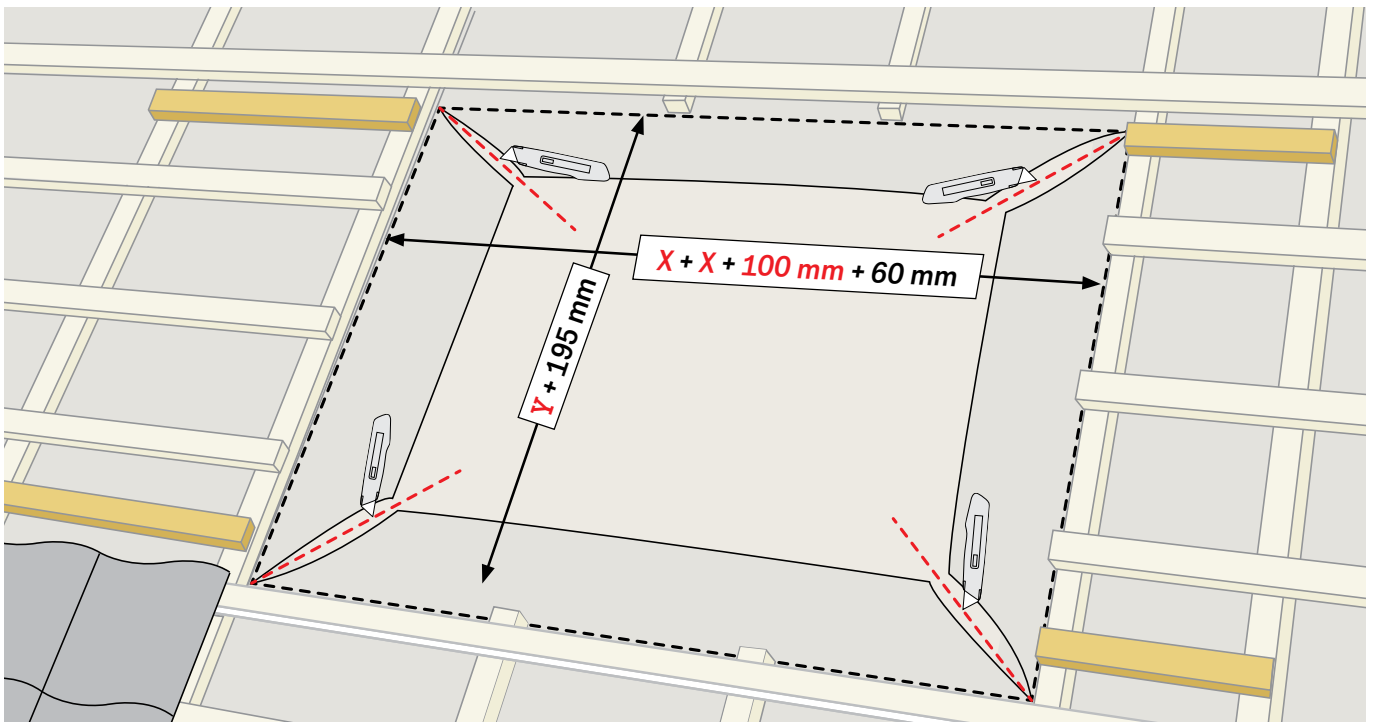
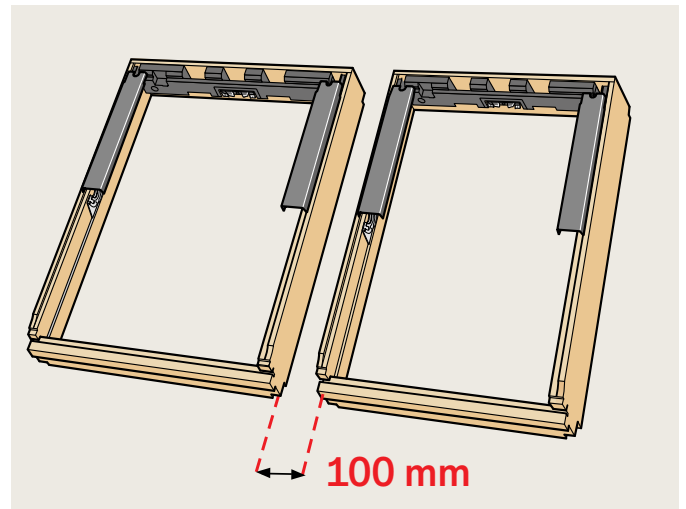
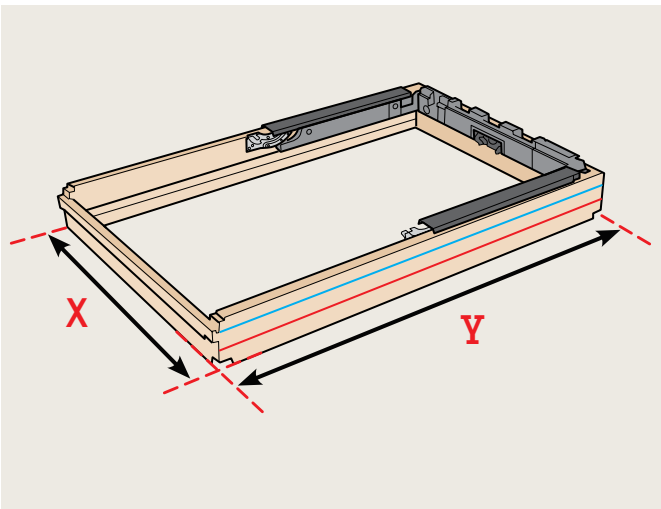
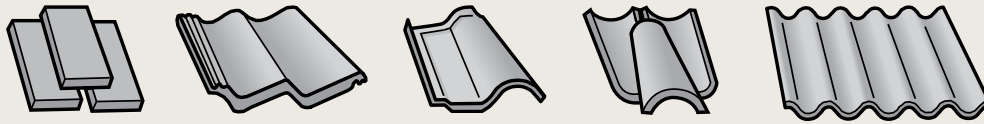


EMT



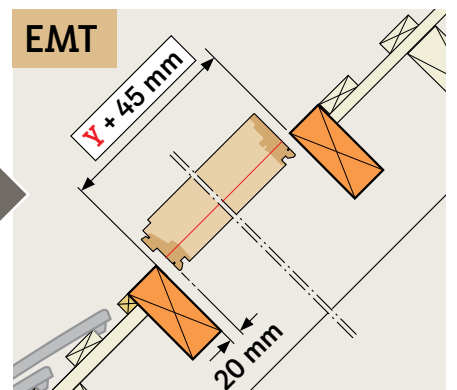
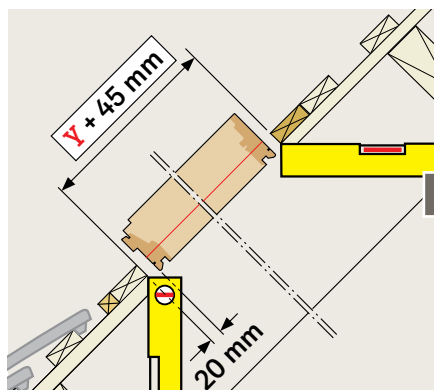
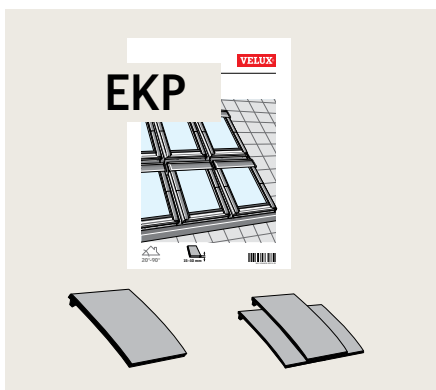
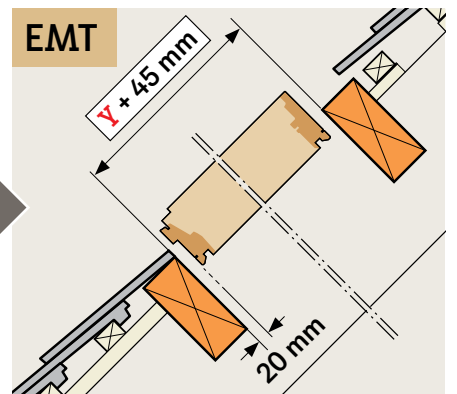
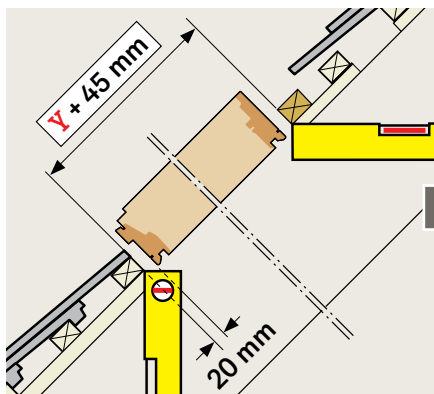
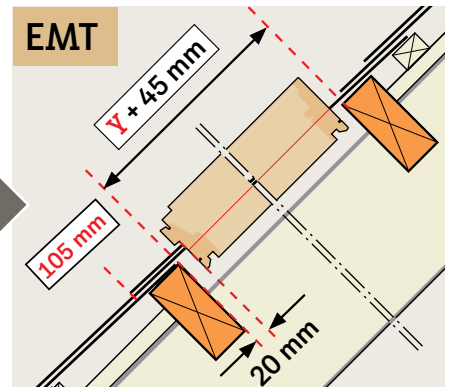
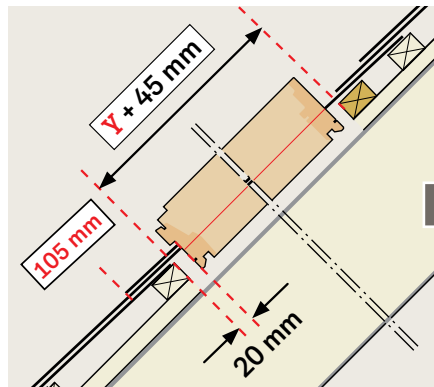
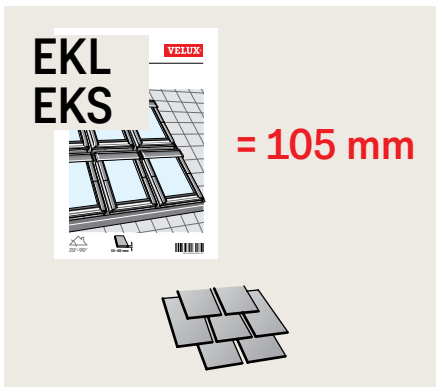
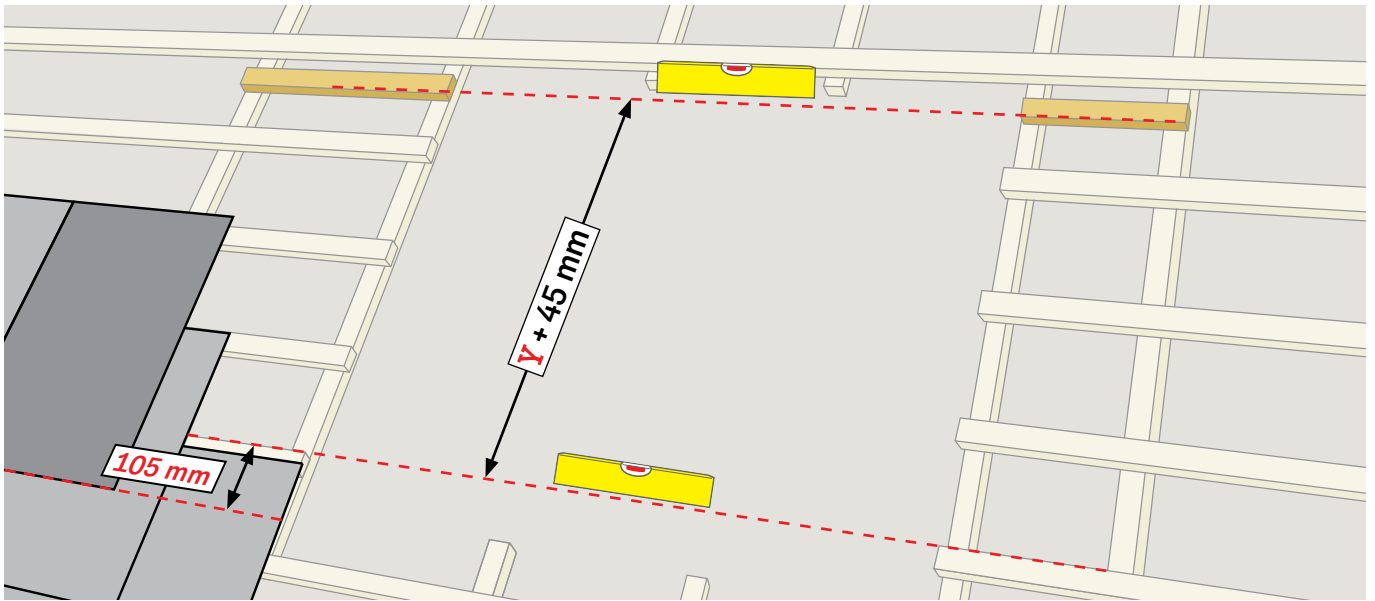
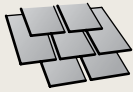


2

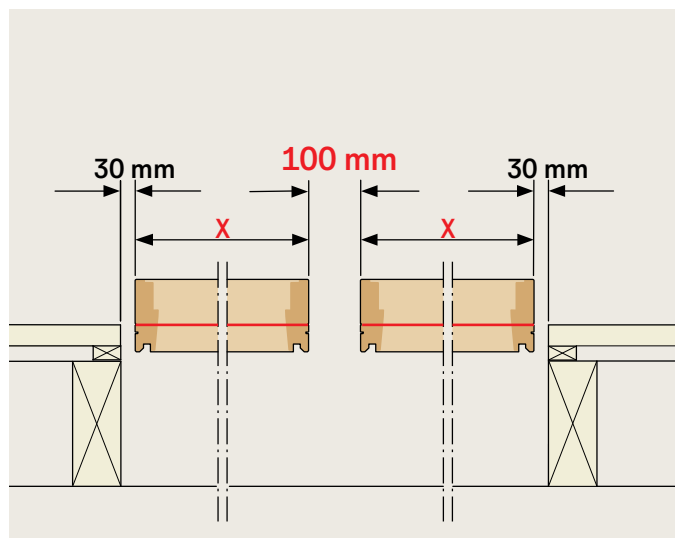
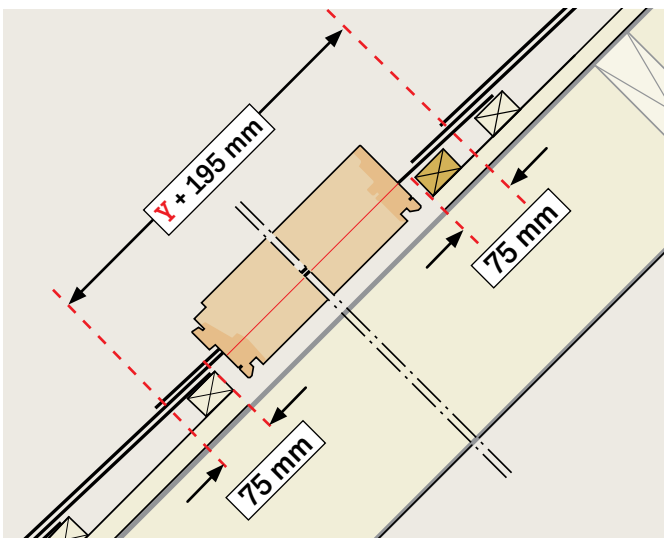
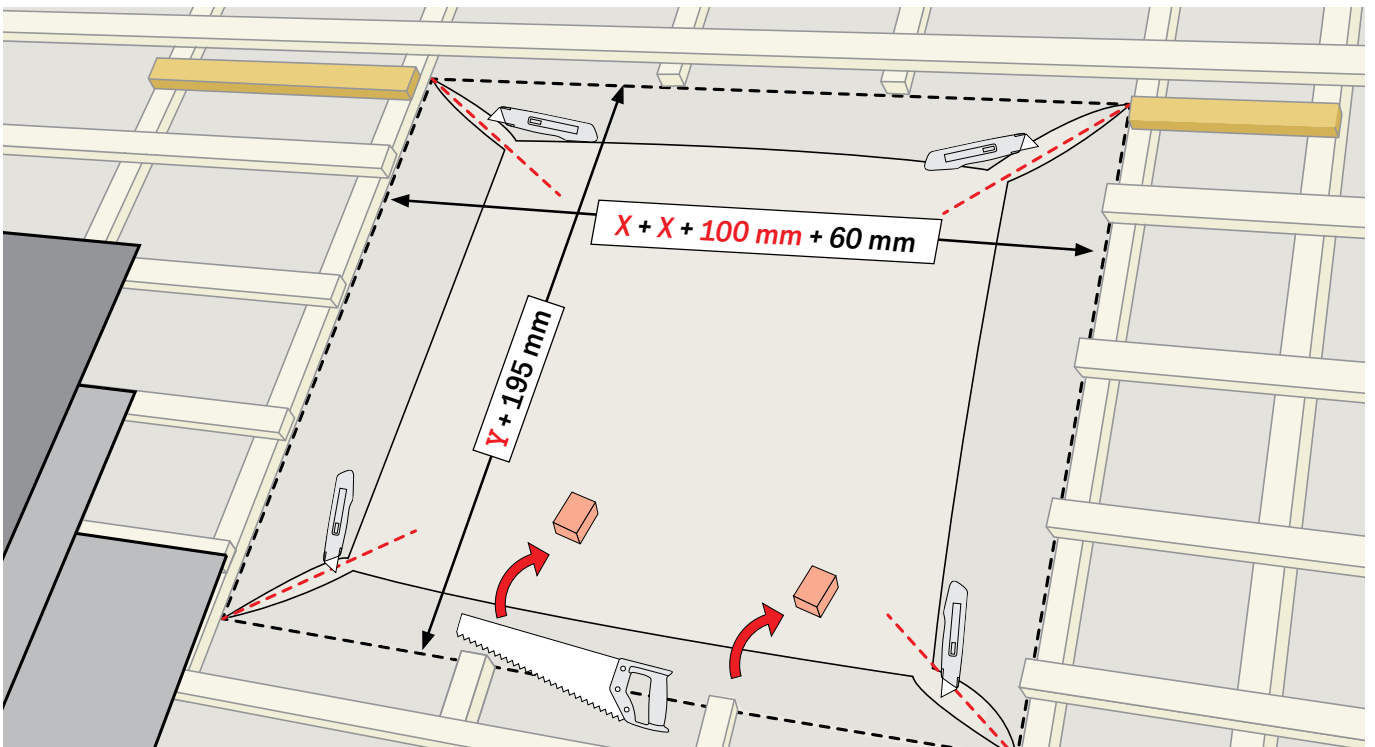
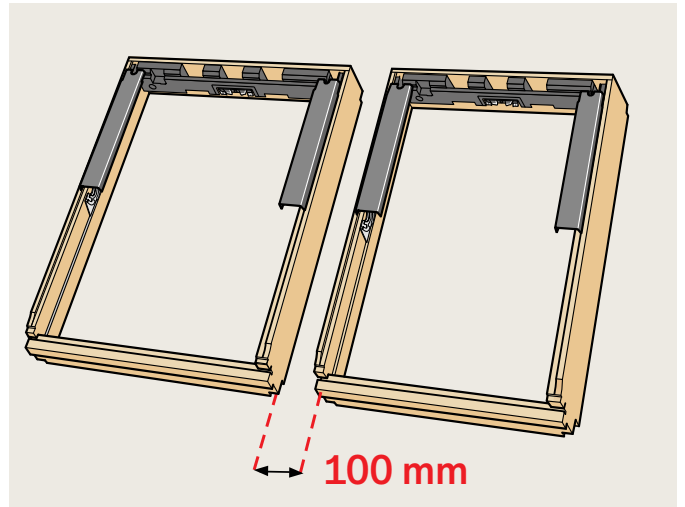
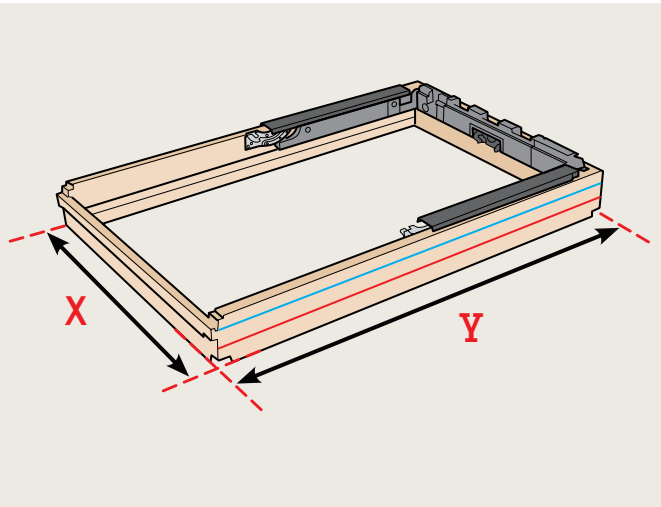
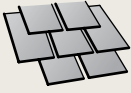




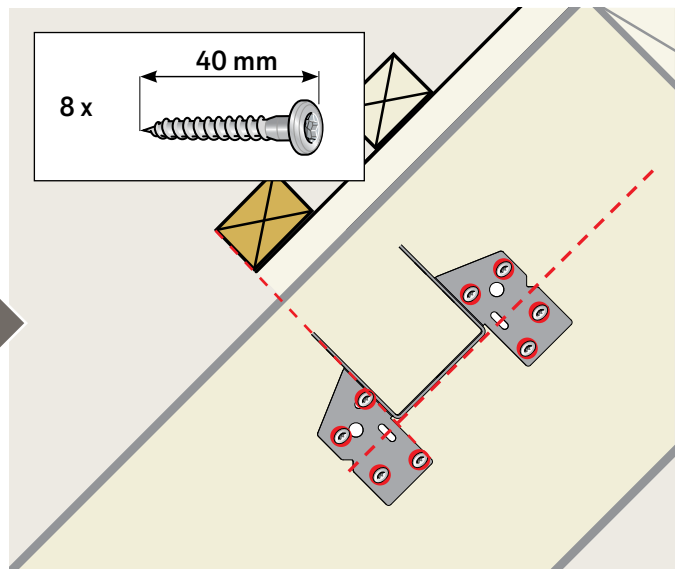
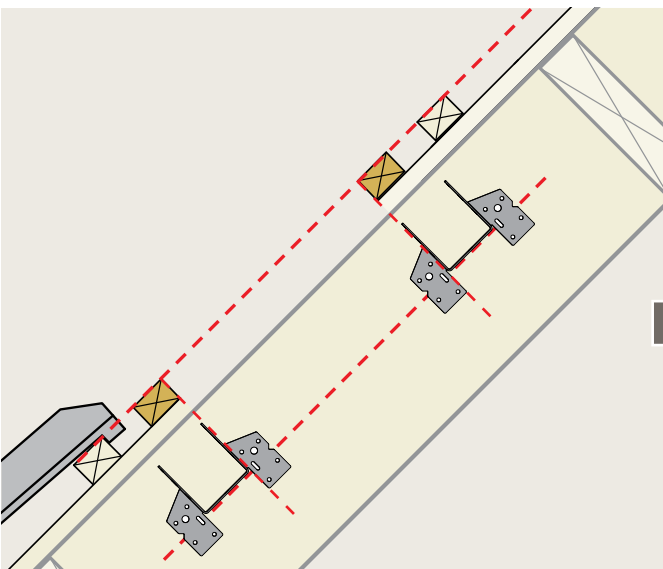
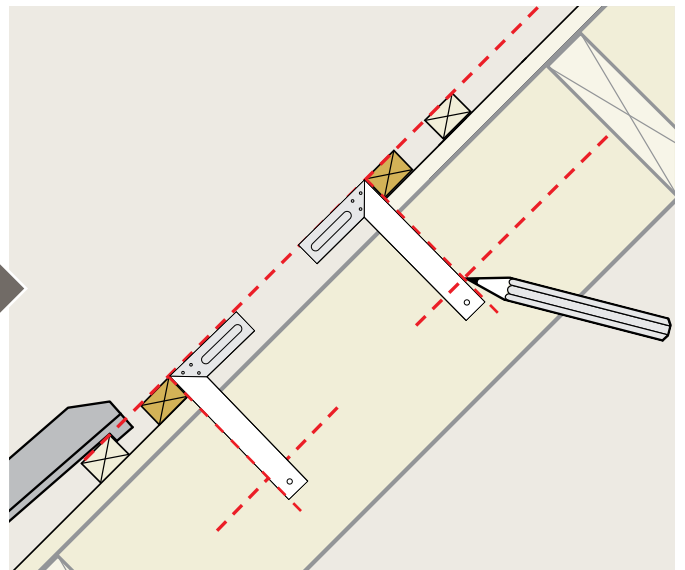
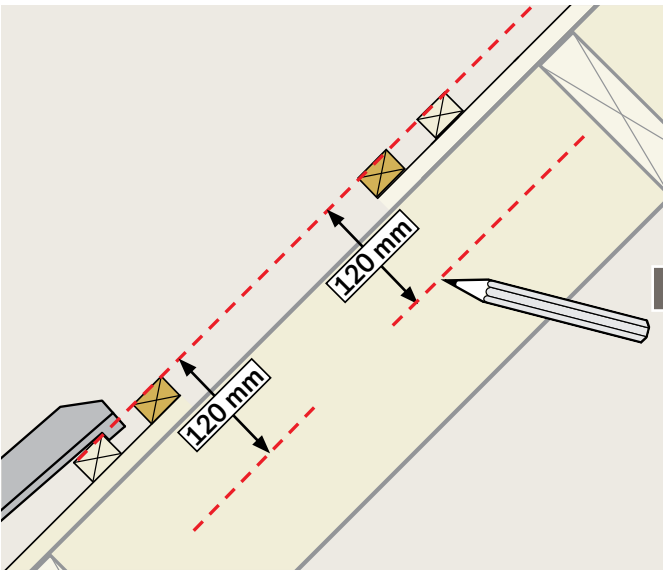
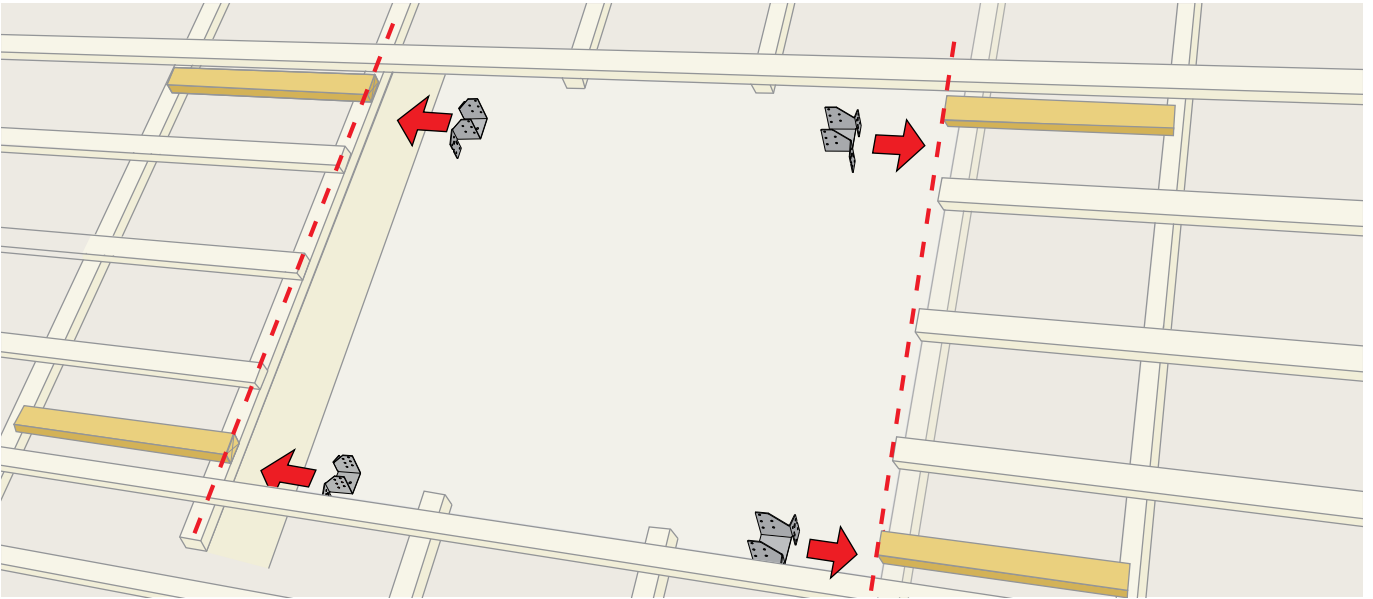
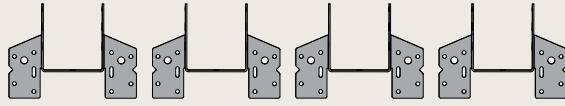
1



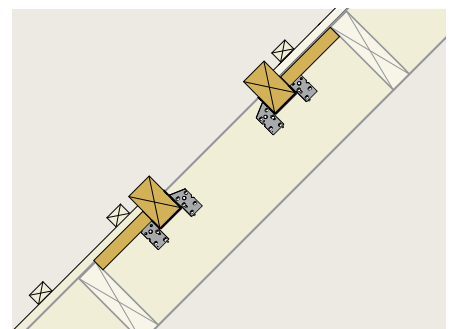
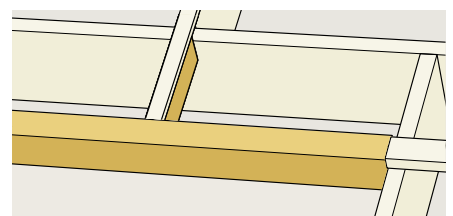
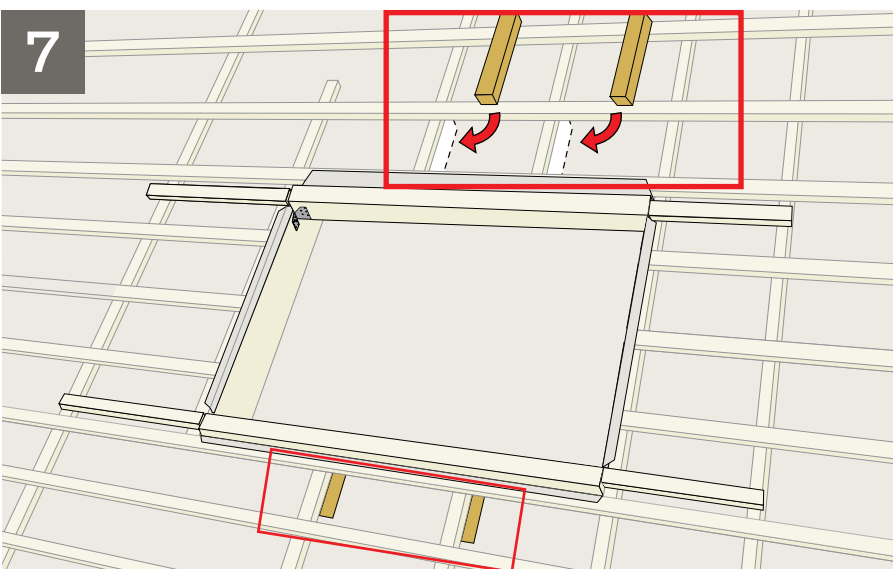
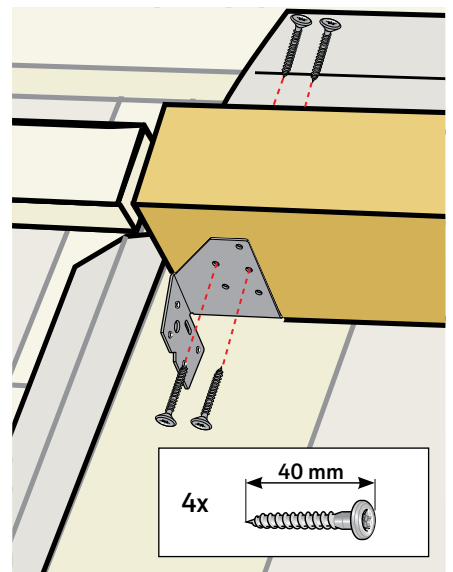
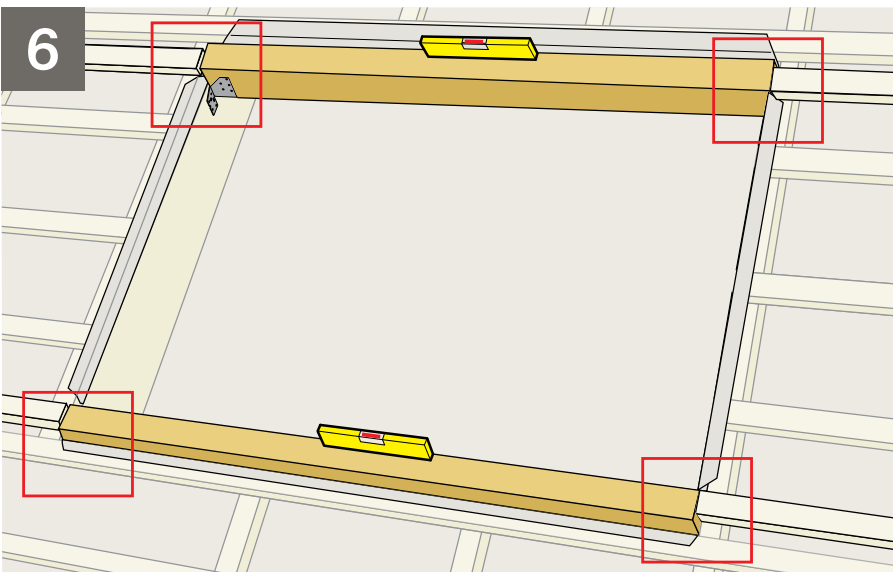
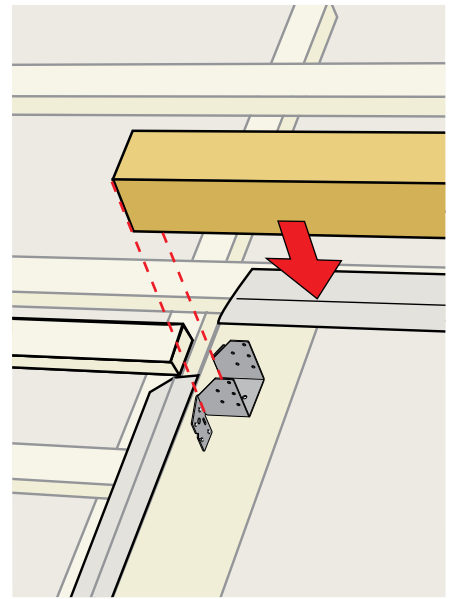
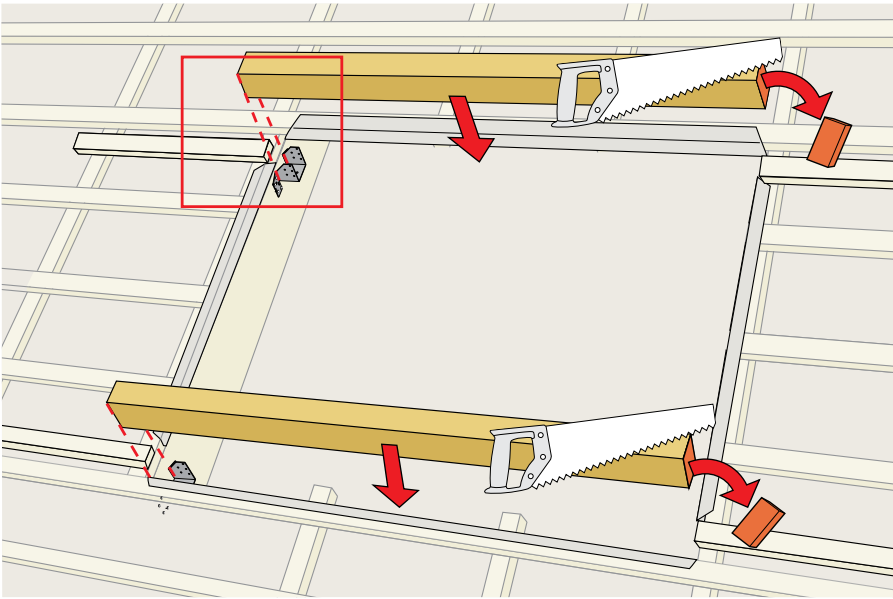
2

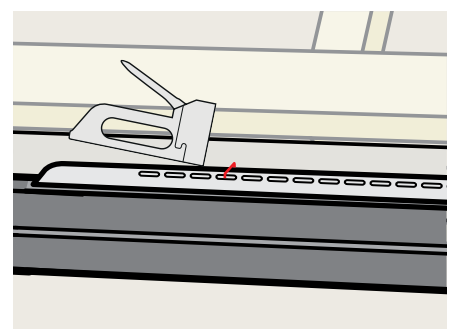
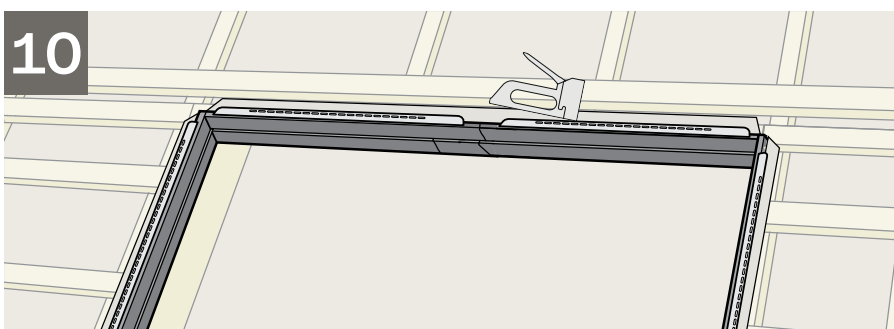
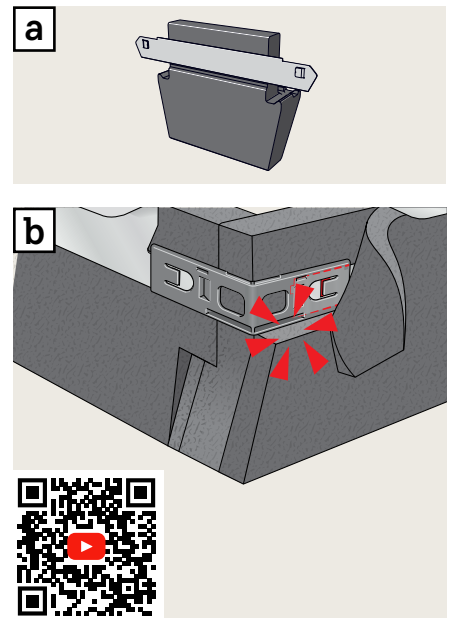
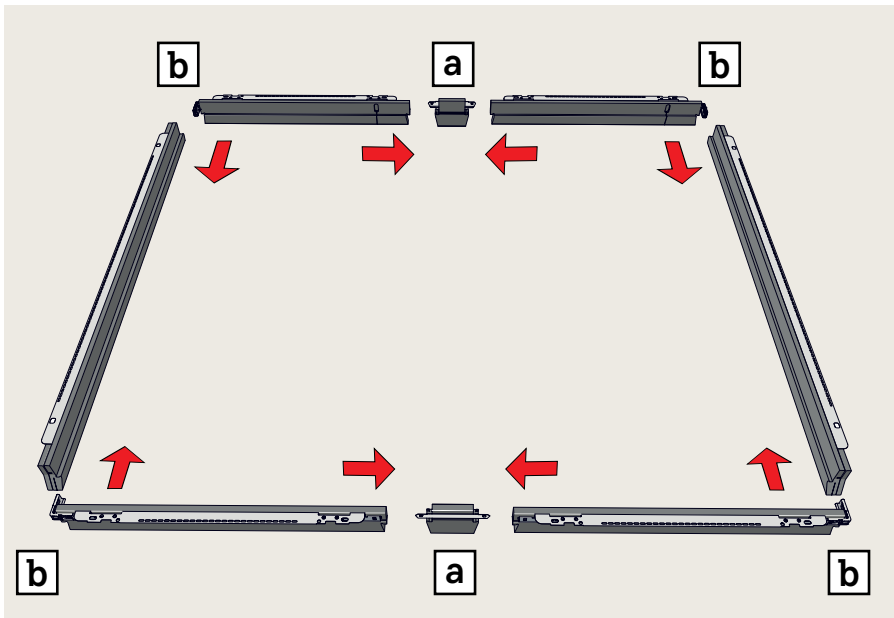
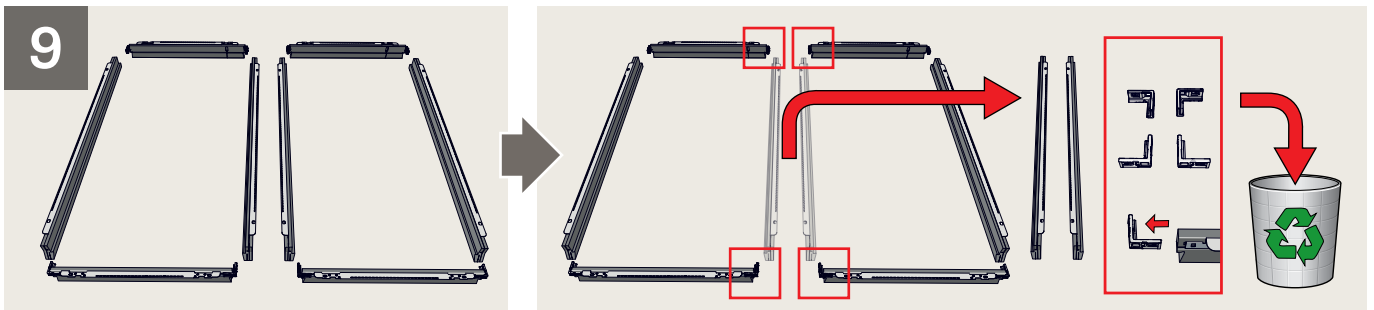
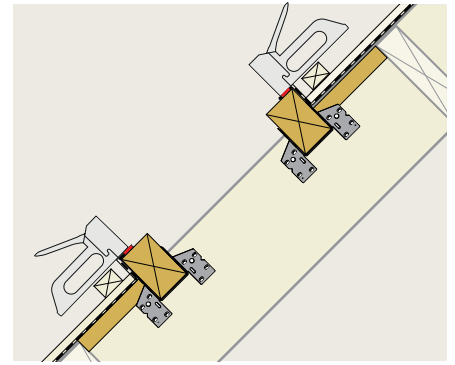
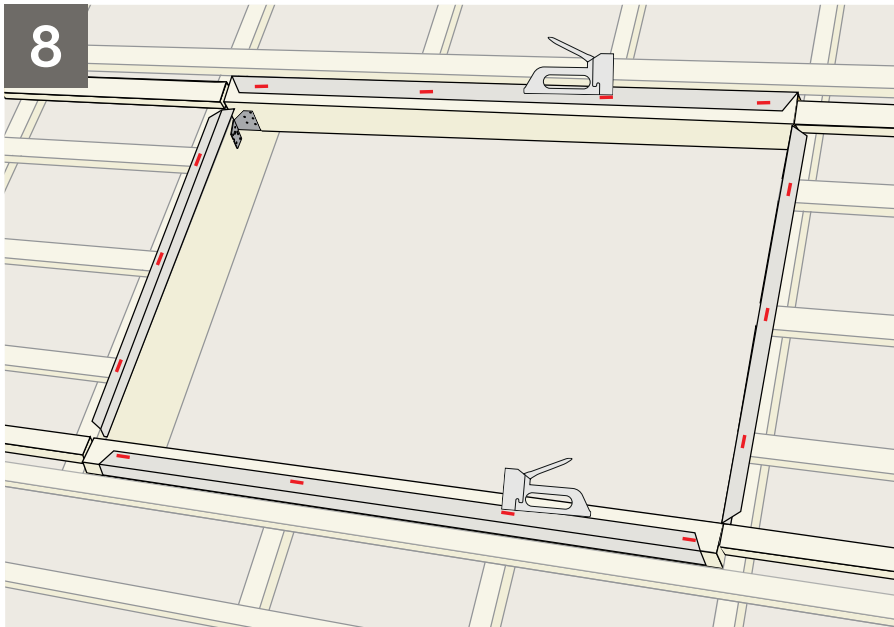


4 LKY -021 E

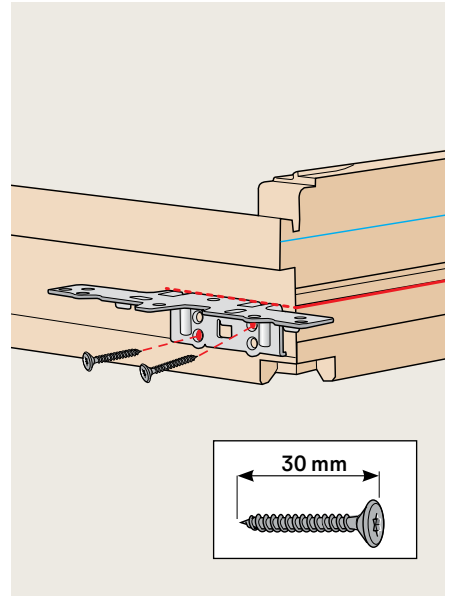
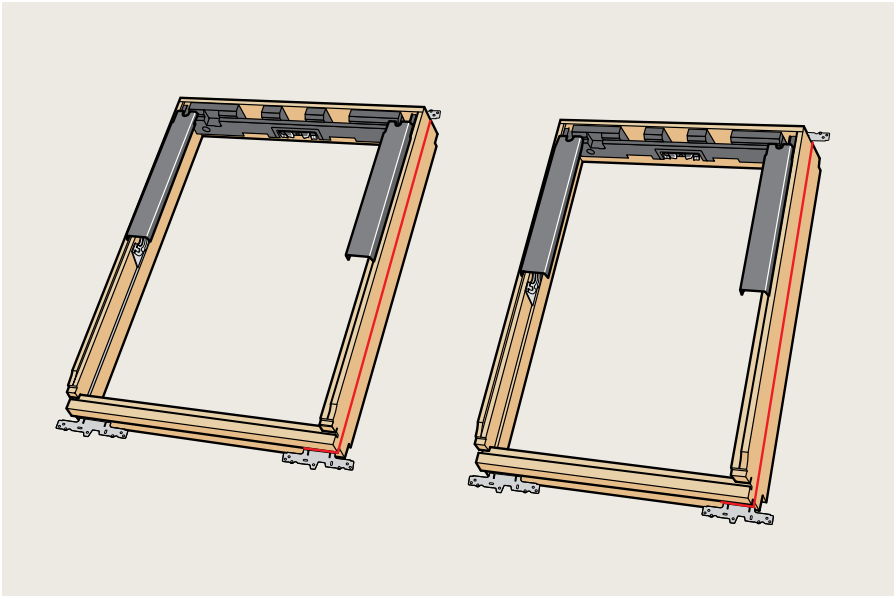
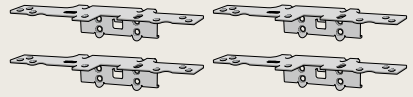


5 EMT

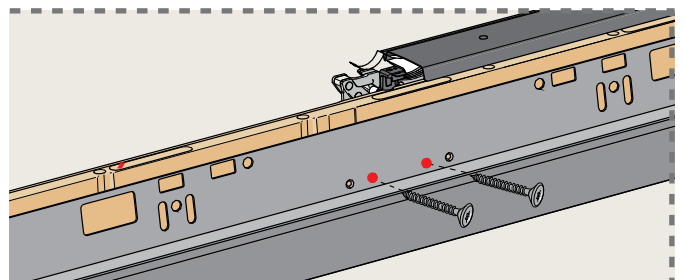
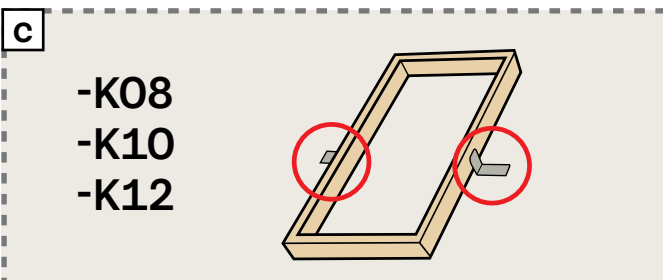
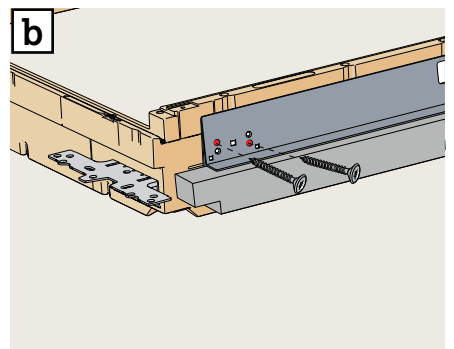
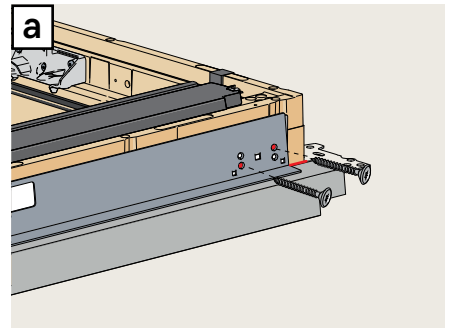
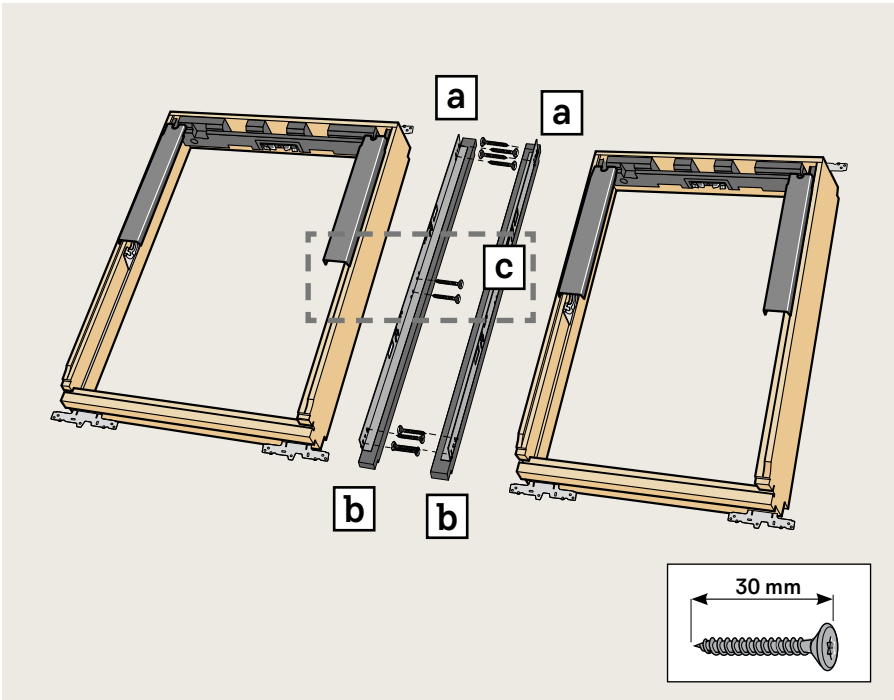


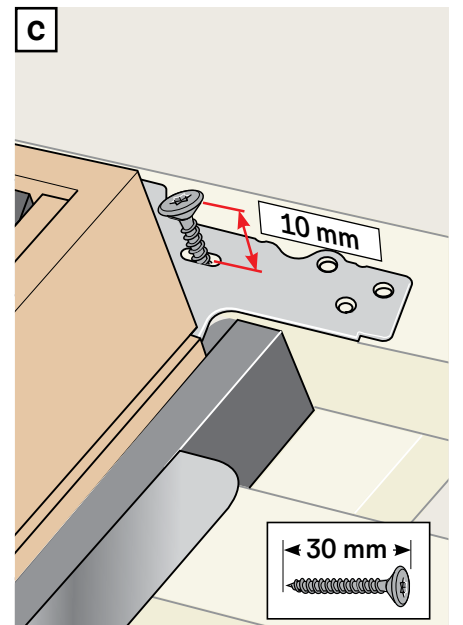
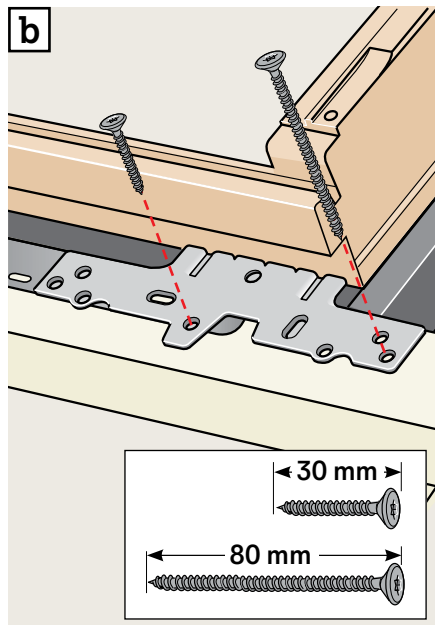
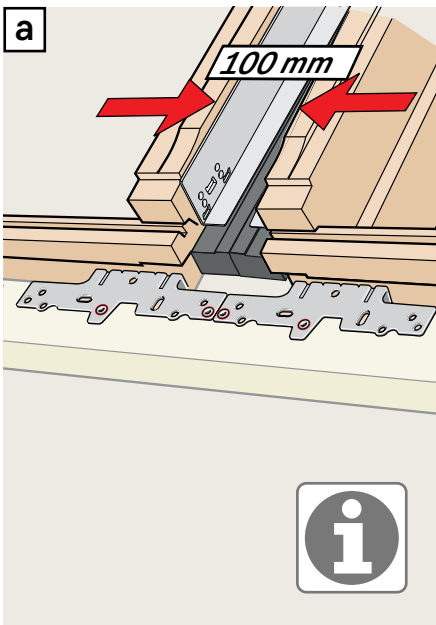
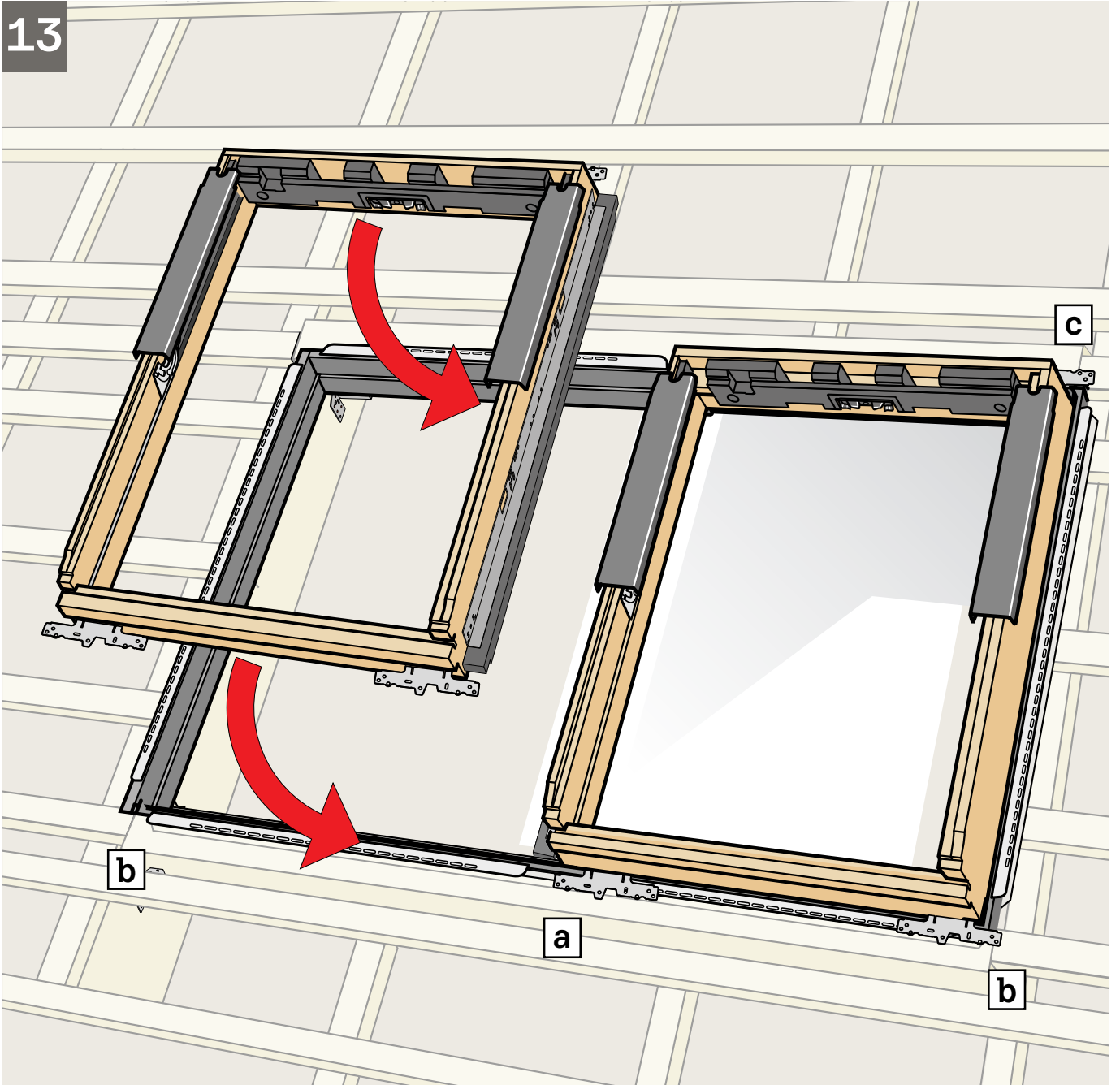


11 G--

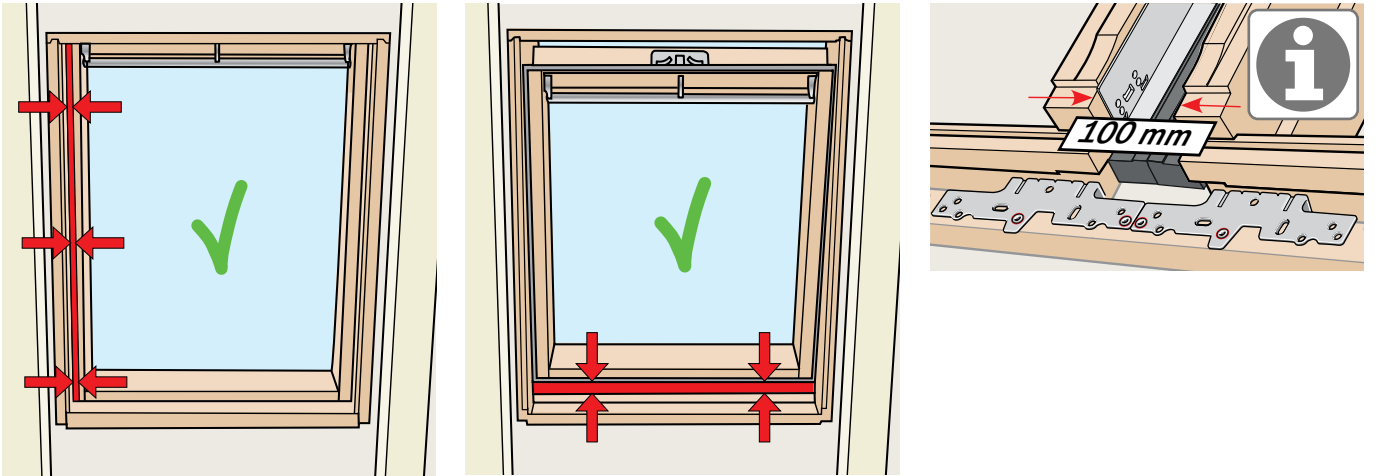


12 LKY -021 E

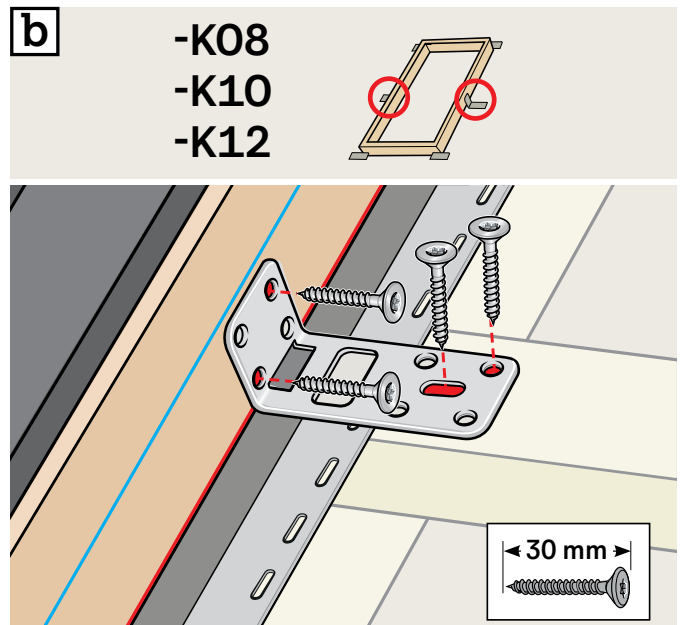
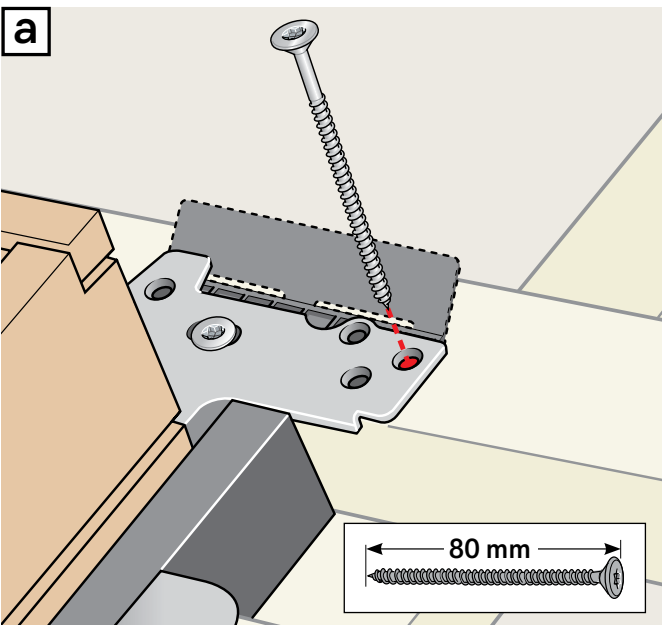
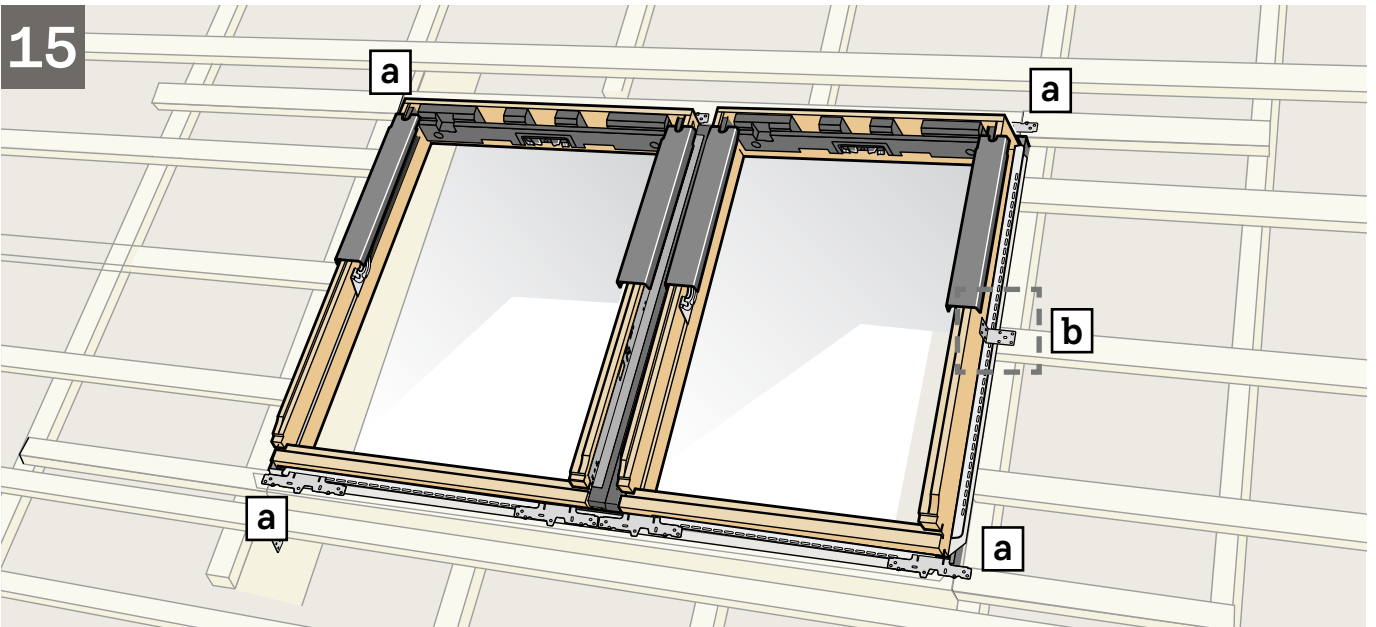




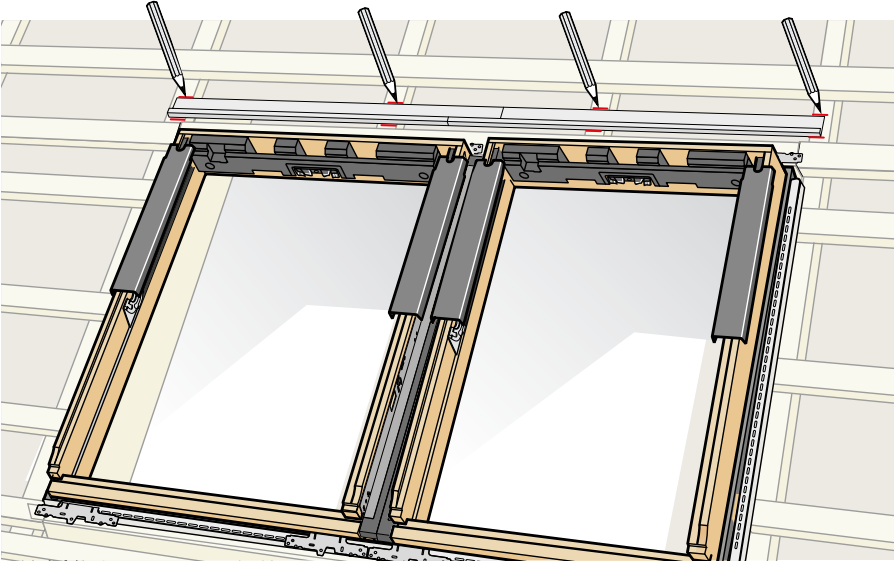
14



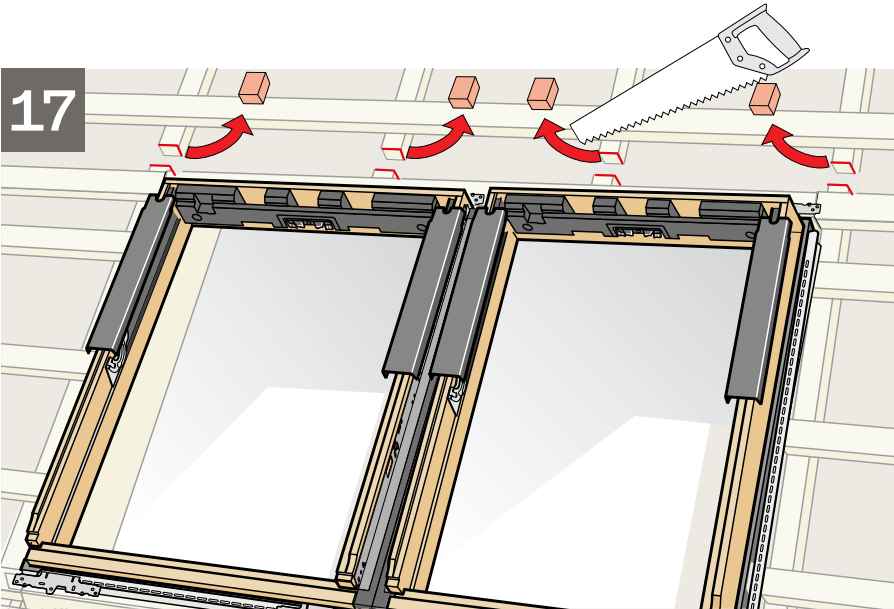
15



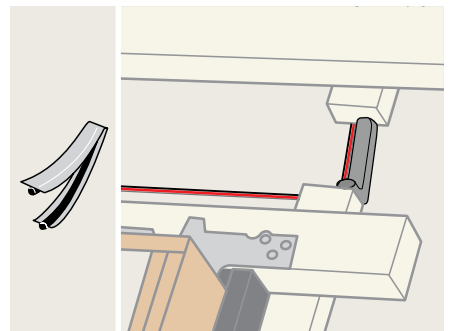
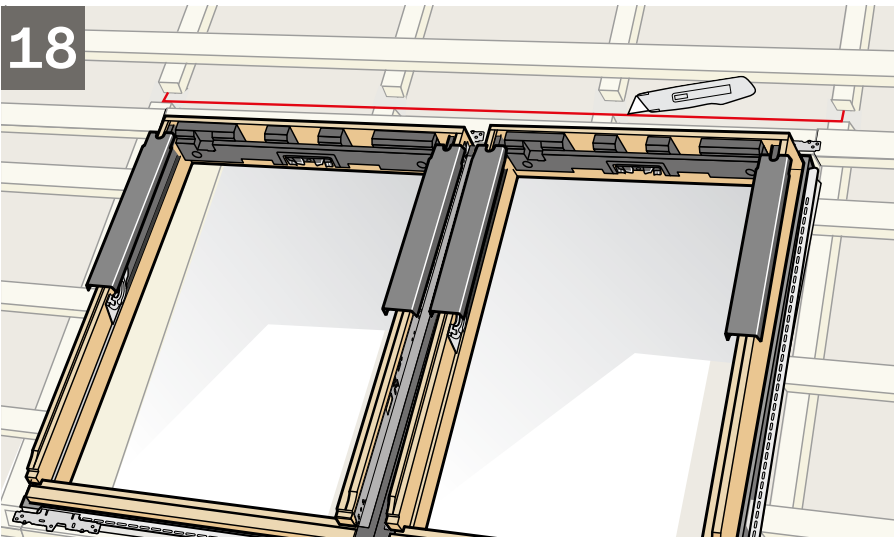
16



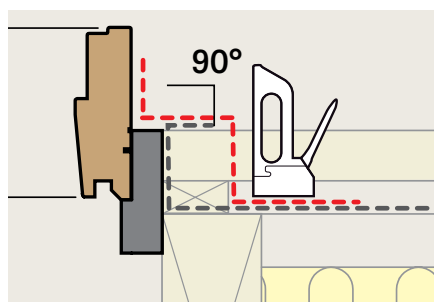
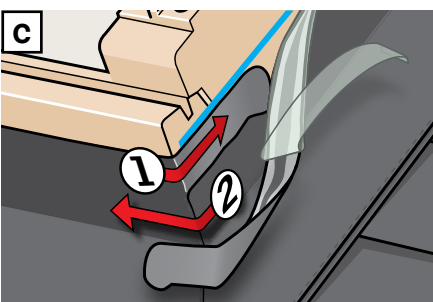
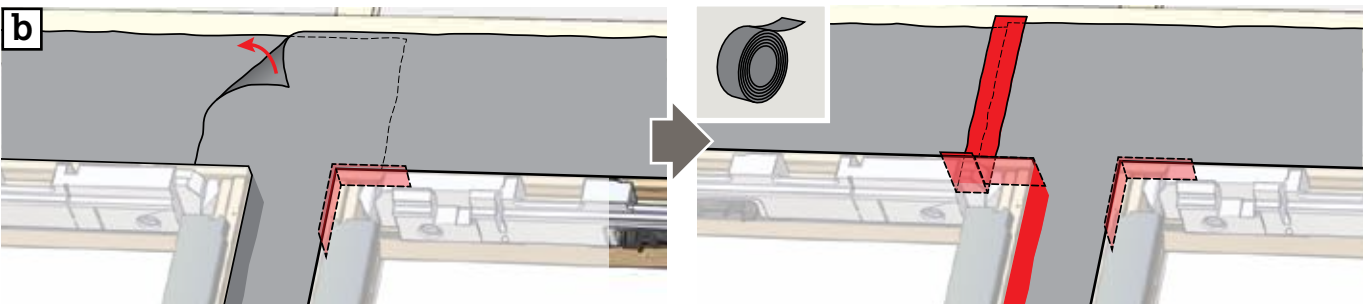
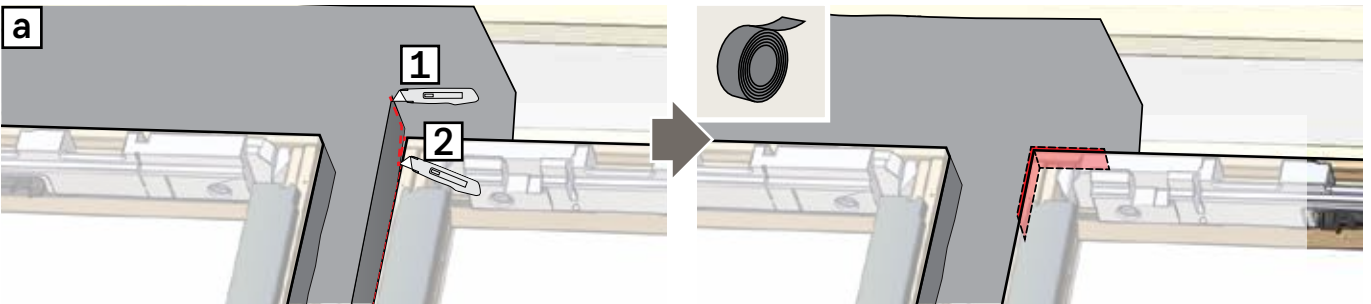
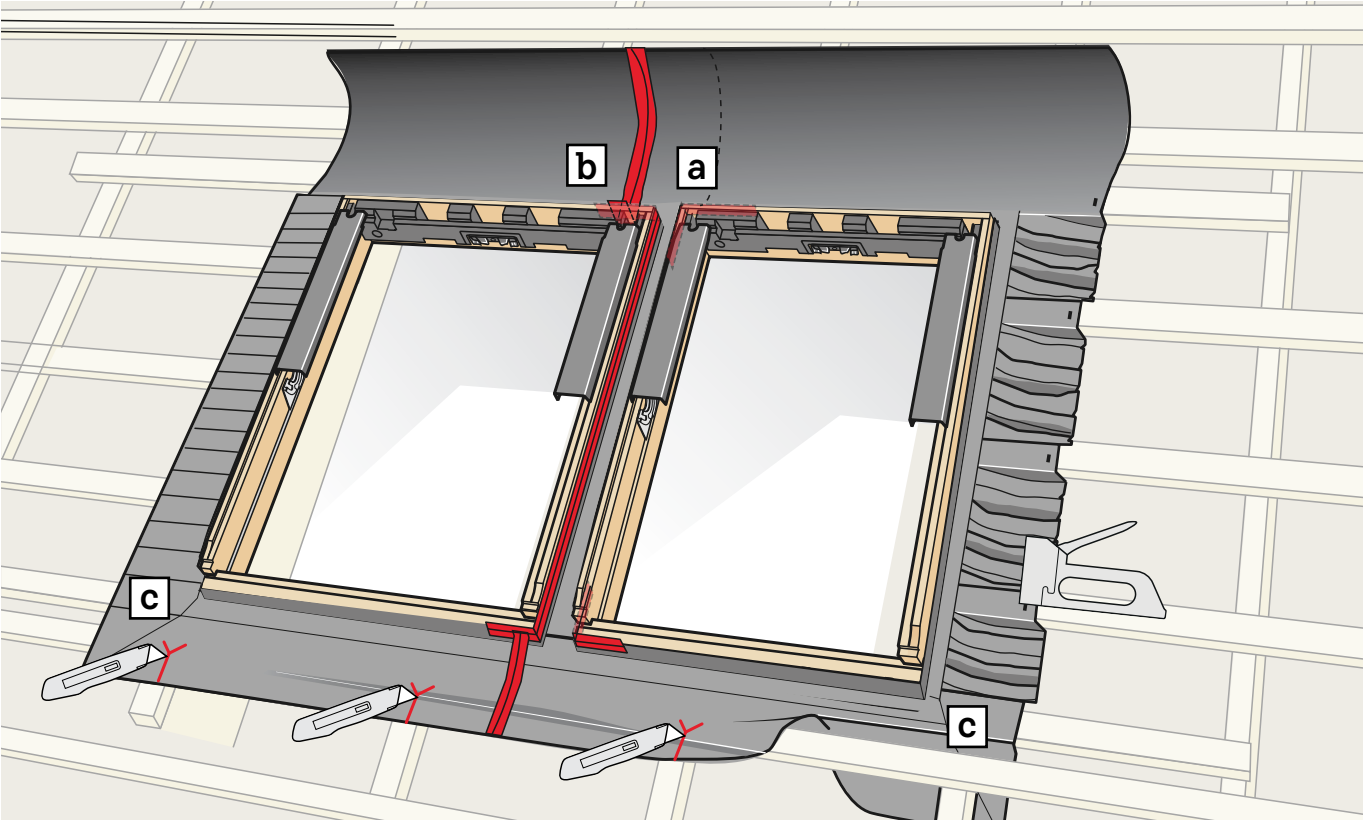
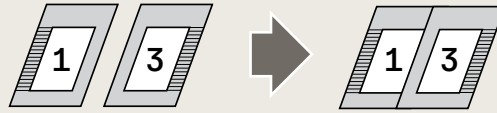
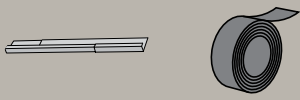
17



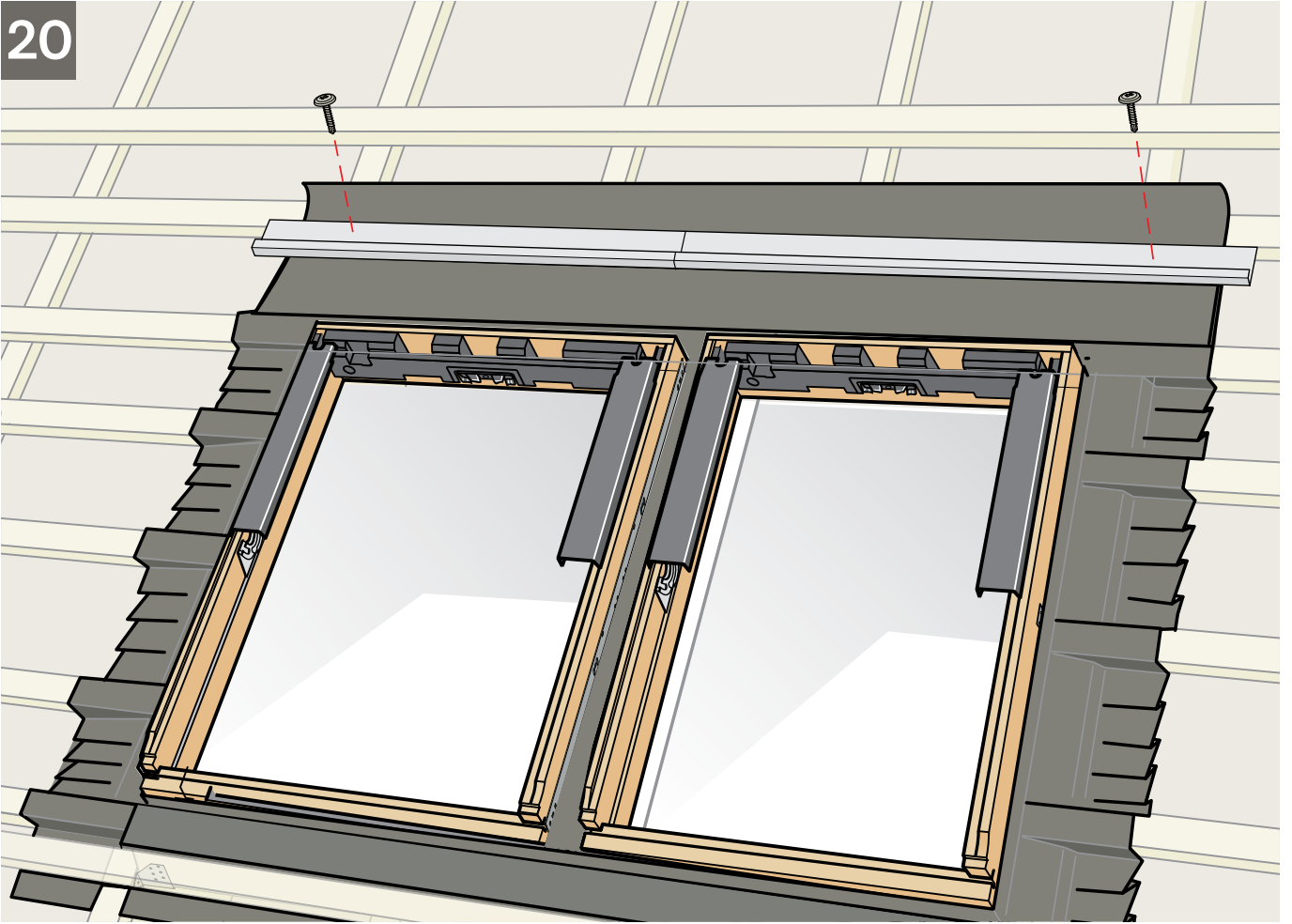
18



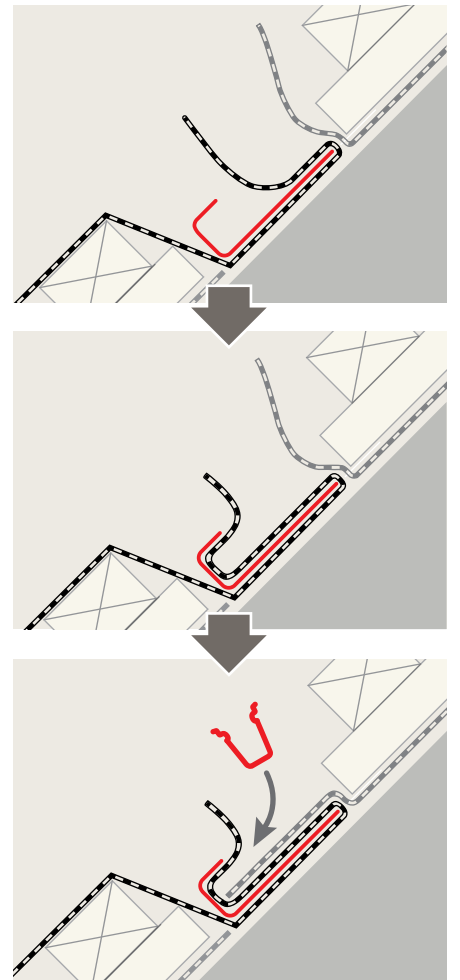
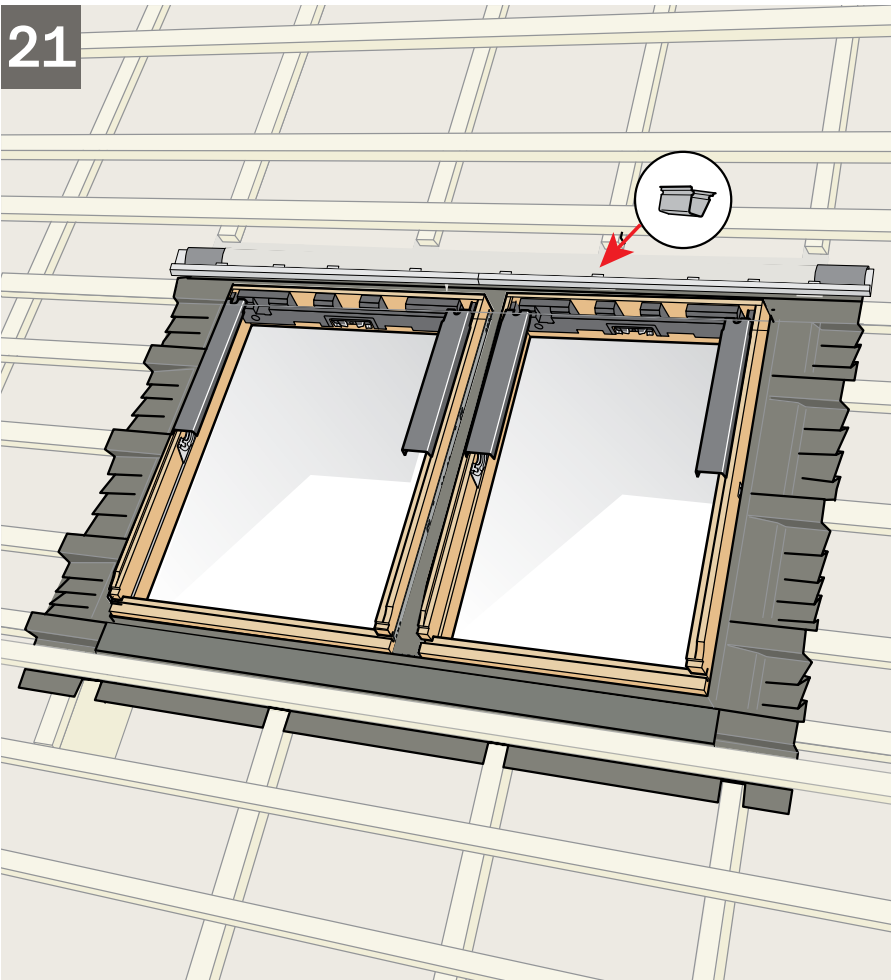
19
BFX



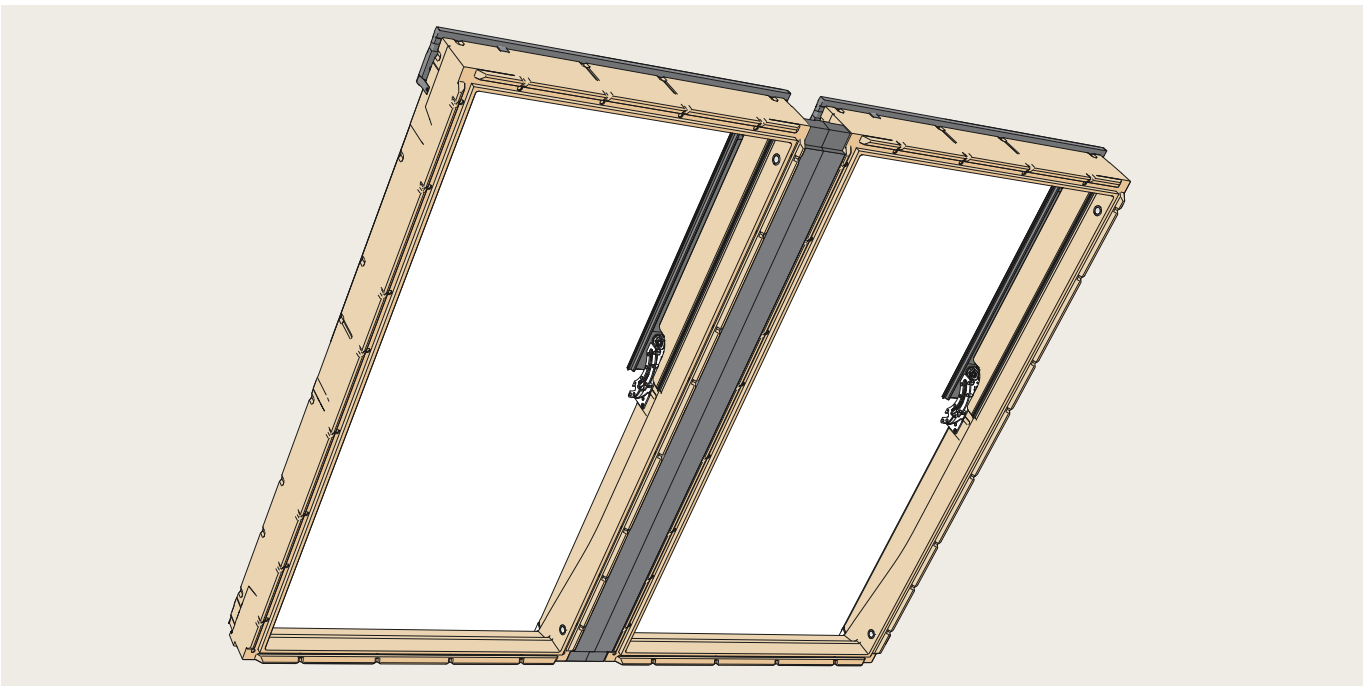
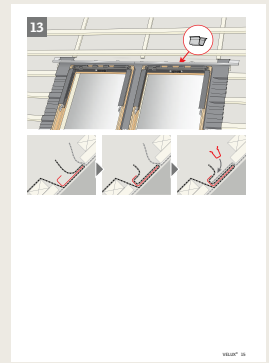
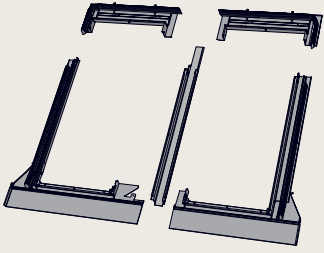
20



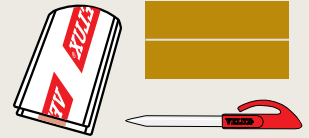
21



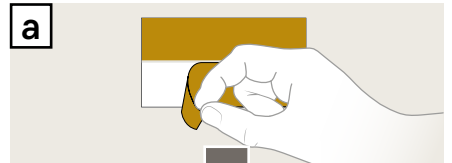
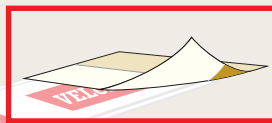
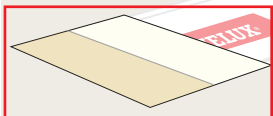
22 EK-



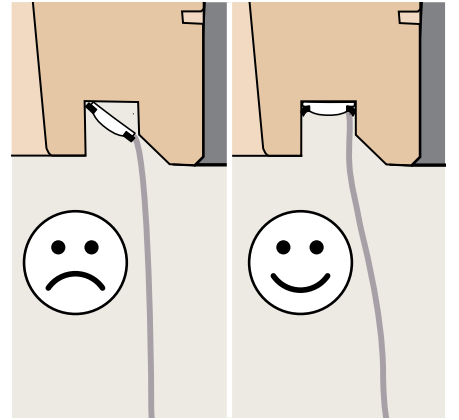
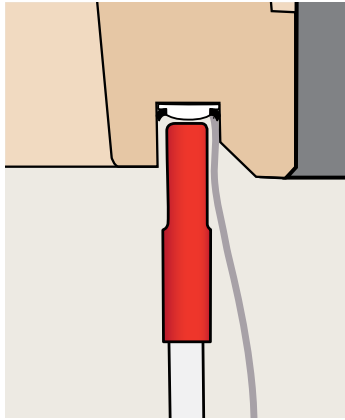
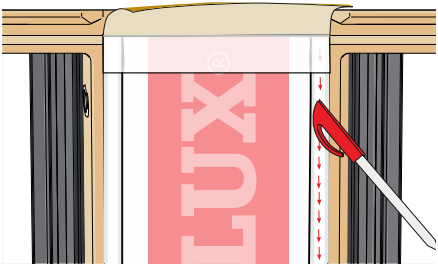
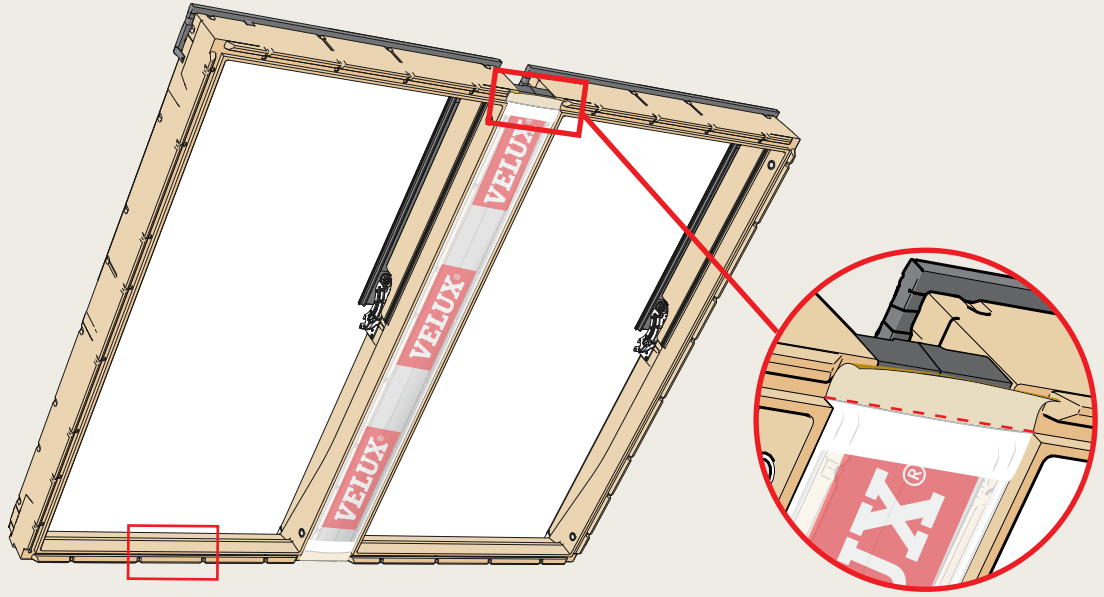
LKY -021 E



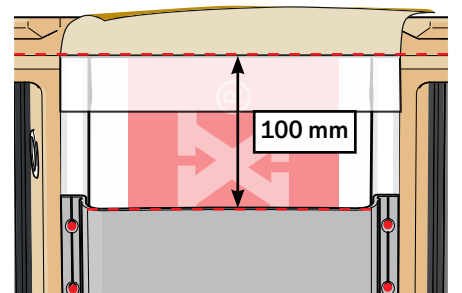
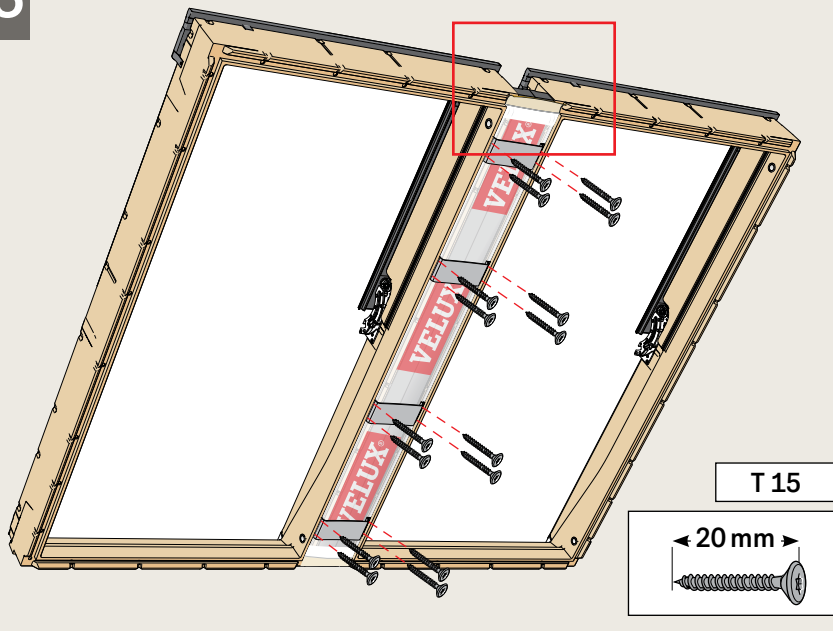
23



24



25

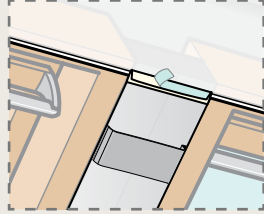
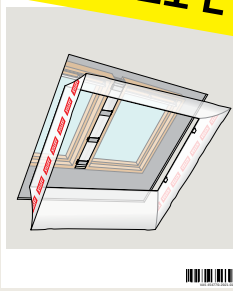


26

BBX

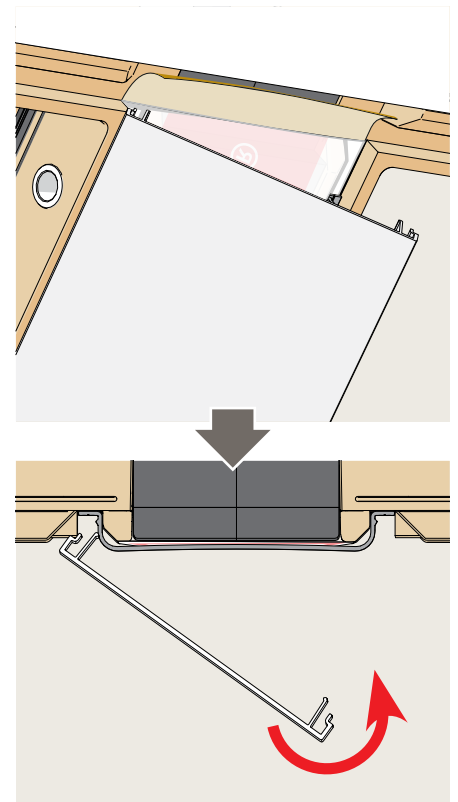
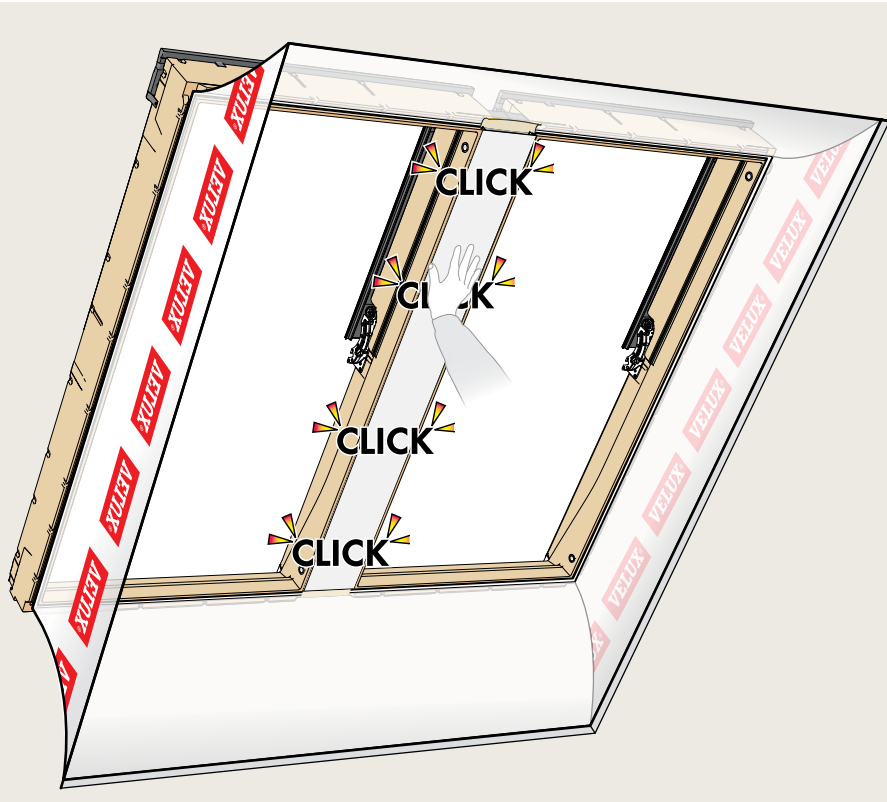
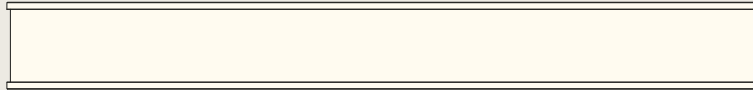


VELUX
BBX 0021 E



27

LKY -021 E

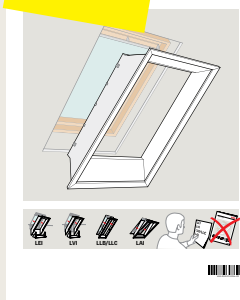


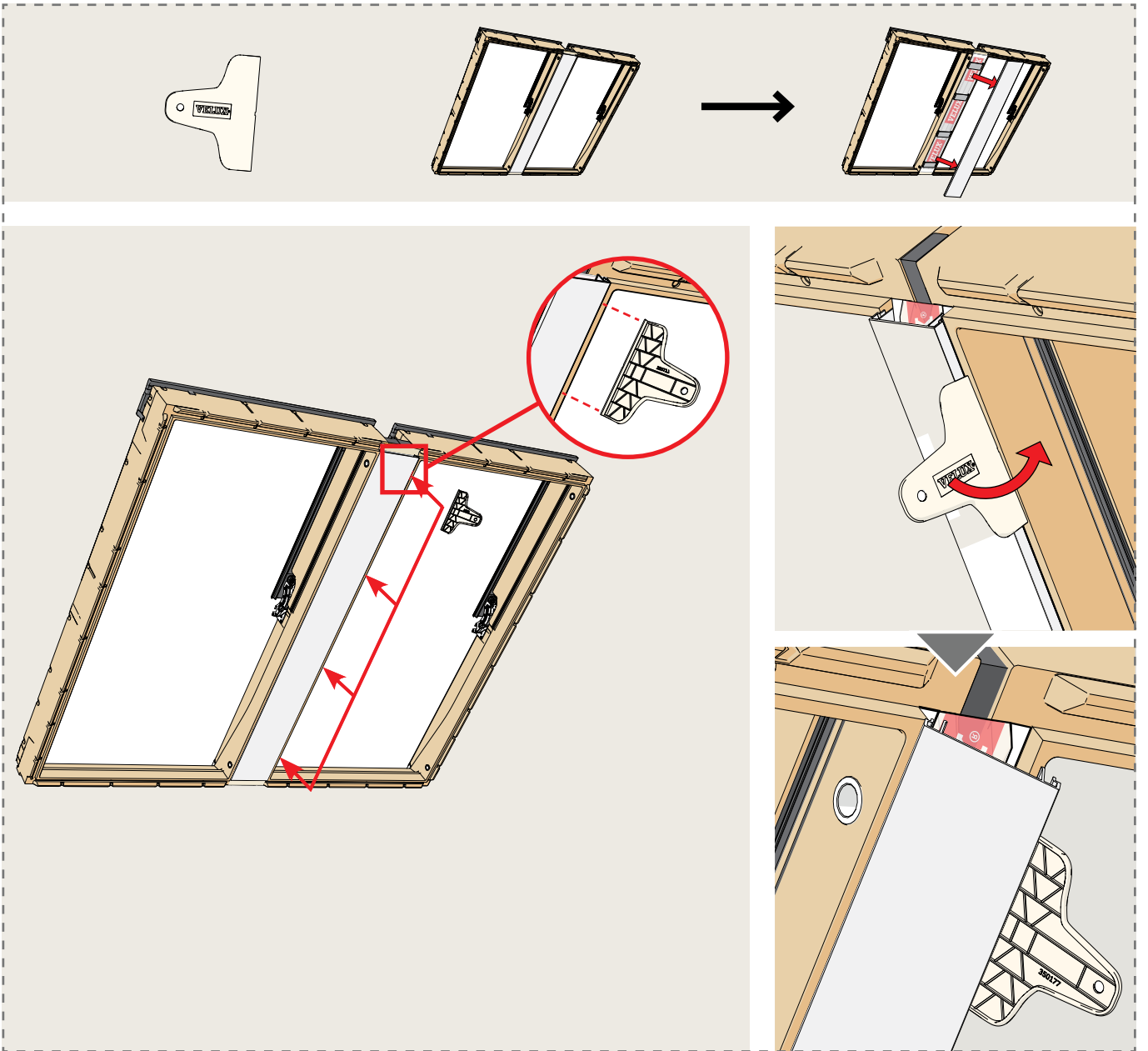
28

LS-



VELUX
LS-





CE 13	
EN 13859-1:2014 Notified body: 0338	
BFX	
Flexible sheet for underlays for roofs	
Reaction to fire:	Class E
Resistance to water penetration:	Class W1
- before artificial ageing:	Class W1
- after artificial ageing:	Class W1
Tensile strength in longitudinal direction:	
- before artificial ageing:	200 N/50 mm
- after artificial ageing:	120 N/50 mm
Tensile strength in transverse direction:	
- before artificial ageing:	200 N/50 mm
- after artificial ageing:	120 N/50 mm
VELUX A/S Ådalsvej 99 DK-2970 Hørsholm www.velux.com/ce	

CE 13	
EN 16069:2012+A1:2015 Notified body: 0761, 1004	
BDX	
Thermal insulation product for buildings	
Reaction to fire:	Class E
Thermal conductivity:	0,039 w/(mK)
VELUX A/S Ådalsvej 99 DK-2970 Hørsholm www.velux.com/ce	

CE 13	
EN 13984:2013 Notified body: 0402, 0845	
BBX	
Flexible sheet for waterproofing	
Reaction to fire:	Class E
Water vapour resistance:	Sd= 80 m
Watertightness:	Pass
VELUX A/S Ådalsvej 99 DK-2970 Hørsholm www.velux.com/ce	

AR: VELUX Export (VELUX A/S)
+ 45 4516 7885

AT: VELUX Österreich GmbH
02245/32 3 50

AU: VELUX Australia Pty. Ltd.
1300 859 856

BA: VELUX Bosna i Hercegovina d.o.o.
033/626 493, 626 494

BE: VELUX Belgium
(010) 42.09.09

BG: ВЕЛУКС България ЕООД
02/955 99 30

CA: VELUX Canada Inc.
1 800 88-VELUX (888-3589)

CH: VELUX Schweiz AG
062 289 44 45

CL: VELUX Export (VELUX A/S)
+ 45 4516 7885

CN: VELUX (CHINA) CO. LTD.
0316-607 27 27

CZ: VELUX Česká republika, s.r.o.
531 015 511

DE: VELUX Deutschland GmbH
www.velux.de/kontakt

DK: VELUX Danmark A/S
45 16 45 16

EE: VELUX Eesti OÜ
621 7790

ES: VELUX Spain, S.A.U.
91 509 71 00

FI: VELUX Suomi Oy
0207 290 800

FR: VELUX France
0806 80 15 15
Service gratuit + prix appel

GB: VELUX Company Ltd.
01592 778 225

HR: VELUX Hrvatska d.o.o.
01/5555 444

HU: VELUX Magyarorszá g Kft.
(06/1) 436-0601

IE: VELUX Company Ltd.
01 848 8775

IT: VELUX Italia s.p.a.
045/6173666

JP: VELUX-Japan Ltd.
0570-00-8141

KR: VELUX Export (VELUX A/S)
+ 45 4516 7885

LT: VELUX Lietuva, UAB
(85) 270 91 01

LV: VELUX Latvia SIA
67 27 77 33

NL: VELUX Nederland B.V.
030 - 6 629 629

NO: VELUX Norge AS
22 51 06 00

NZ: VELUX New Zealand Ltd.
0800 650 445

PL: VELUX Polska Sp. z o.o.
(022) 33 77 000 / 33 77 070

PT: VELUX Portugal, Lda
21 880 00 60

RO: VELUX România S.R.L.
0268-402740

RS: VELUX Srbija d.o.o.
011 20 57 500

SE: VELUX Svenska AB
042/20 83 80

SI: VELUX Slovenija d.o.o.
01 724 68 68

SK: VELUX Slovensko, s.r.o.
(02) 33 000 555

TR: VELUX Çatı Pencereleri
Ticaret Limited Şirketi
0 216 302 54 10

UA: ТОВ "ВЕЛЮКС Україна"
(044) 2916070

US: VELUX America LLC
1-800-88-VELUX