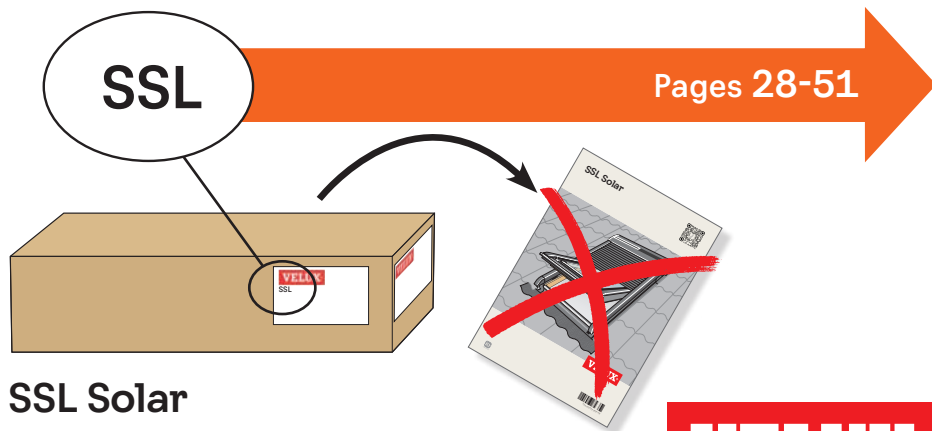
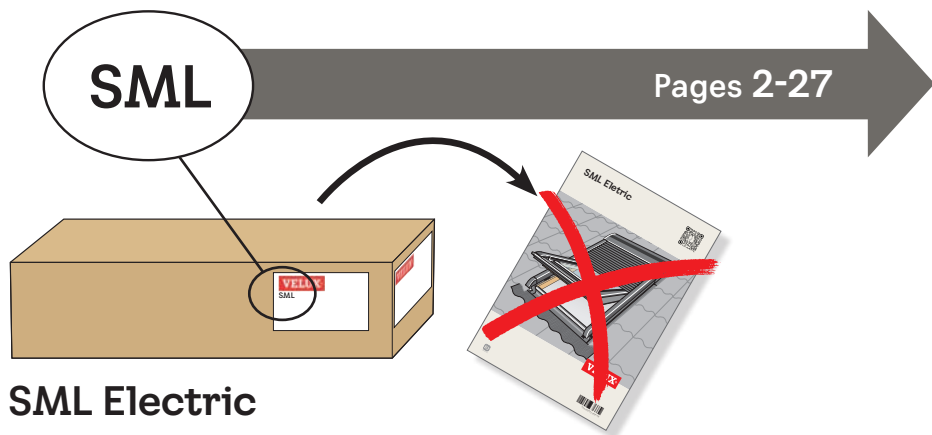
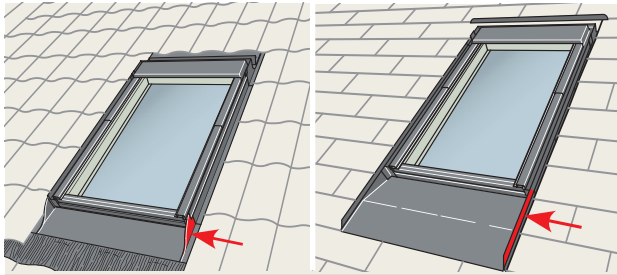


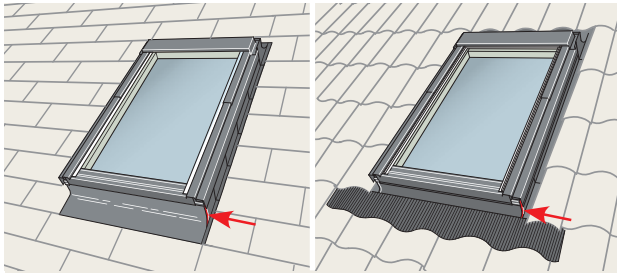
SML Electric / SSL Solar + ZOZ 253/254



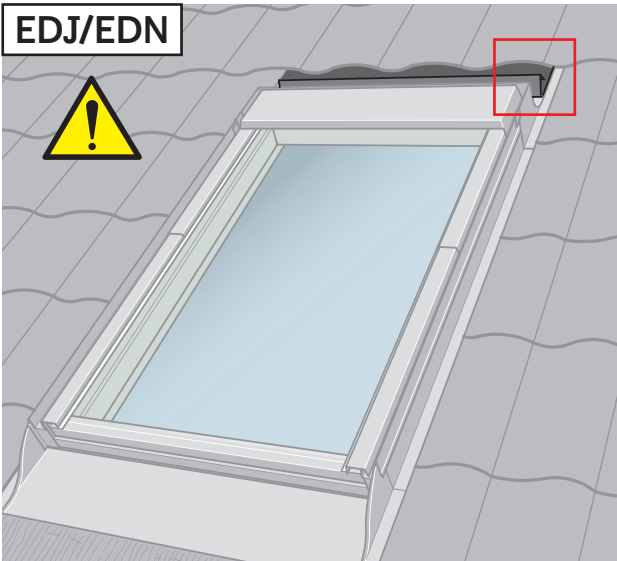
i



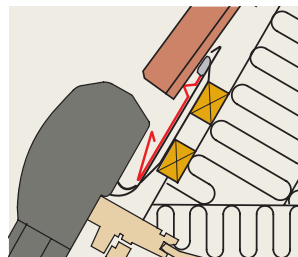
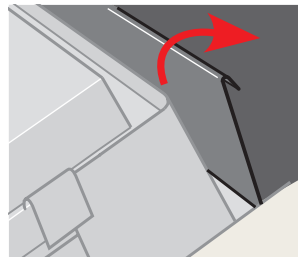
EDJ, EDN




EDL, EDZ, EDS, EDH, EDW, EDE, EDM

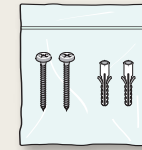
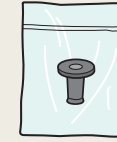
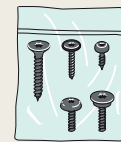
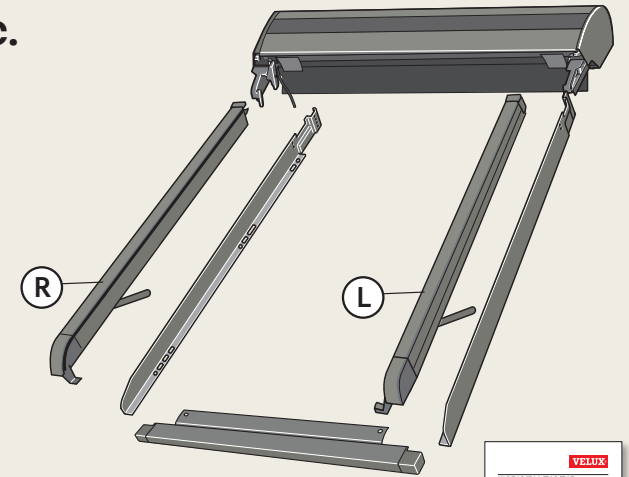


EDJ/EDN



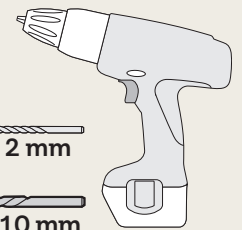
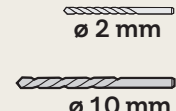
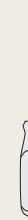
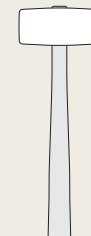
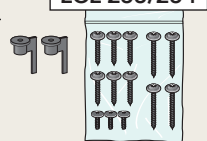
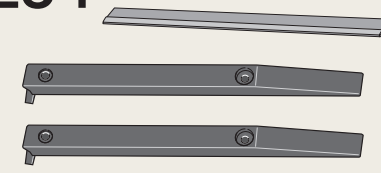
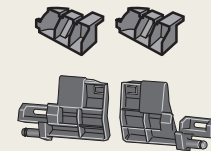
SML Electric

 24 V d.c.



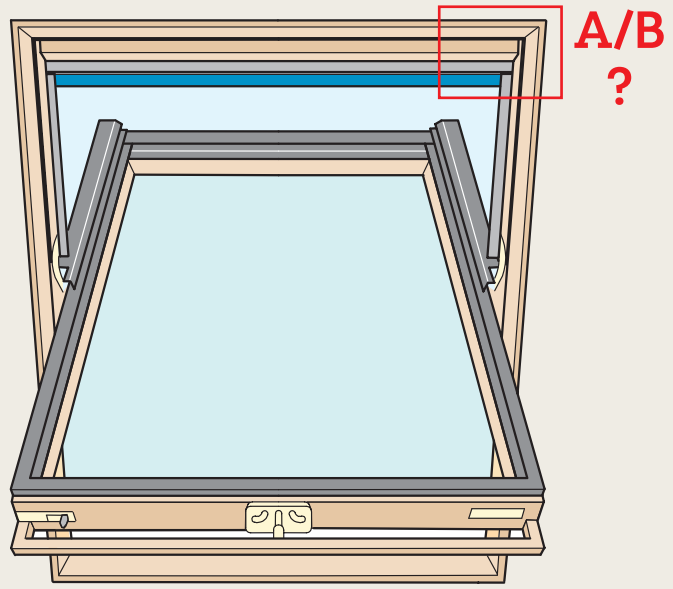
ZOZ 253/254

ZOZ 253/254

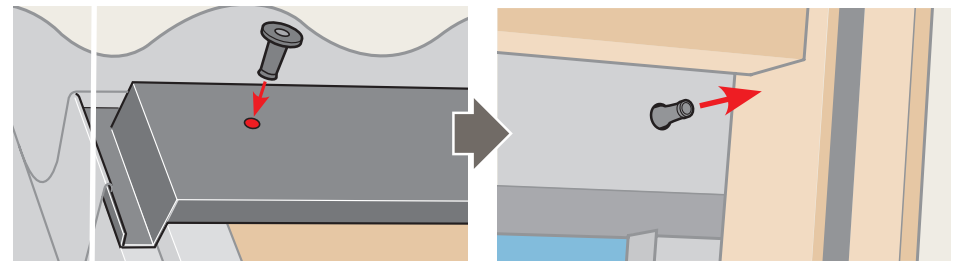
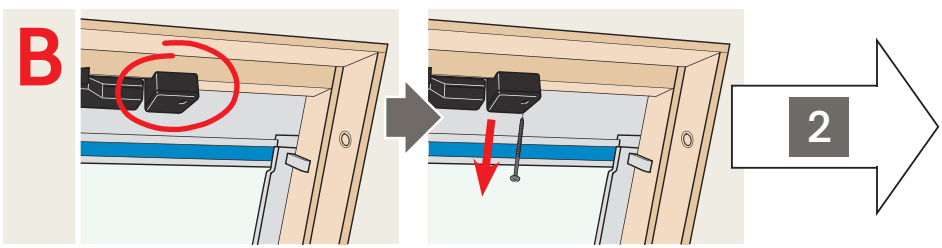
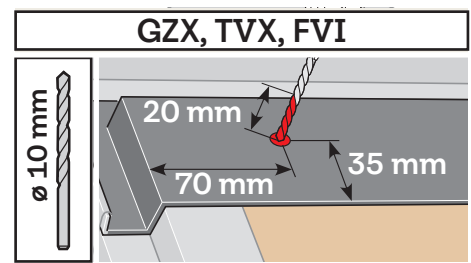
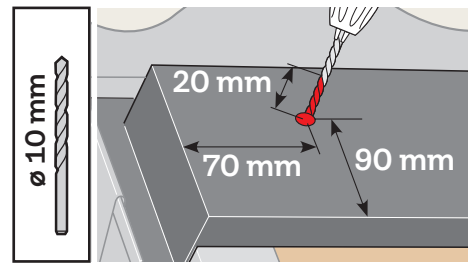
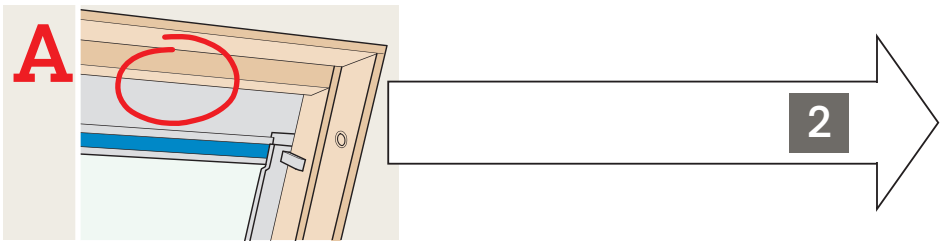
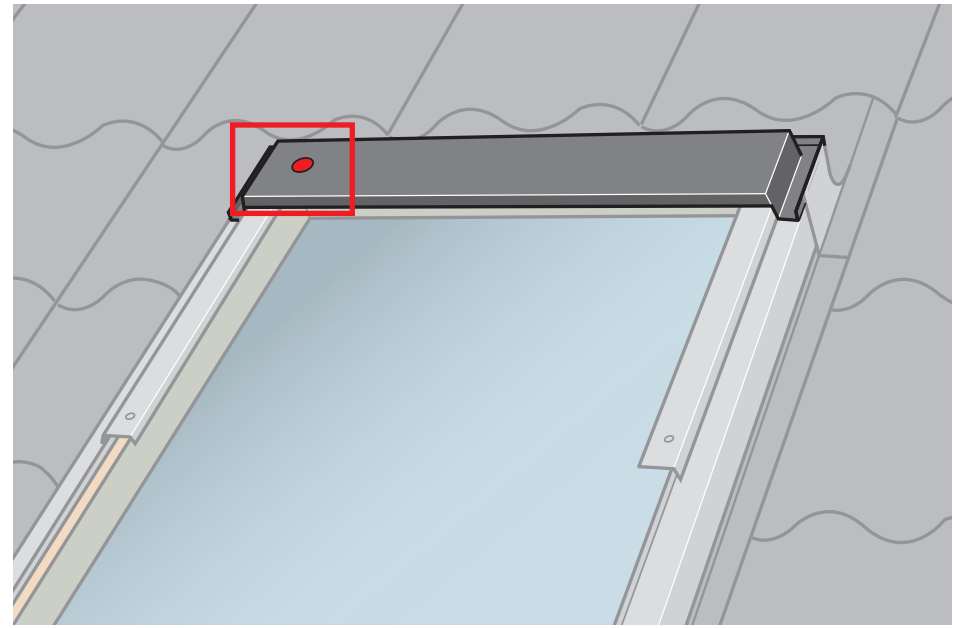


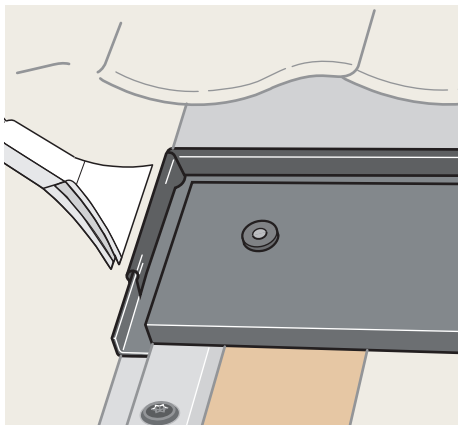
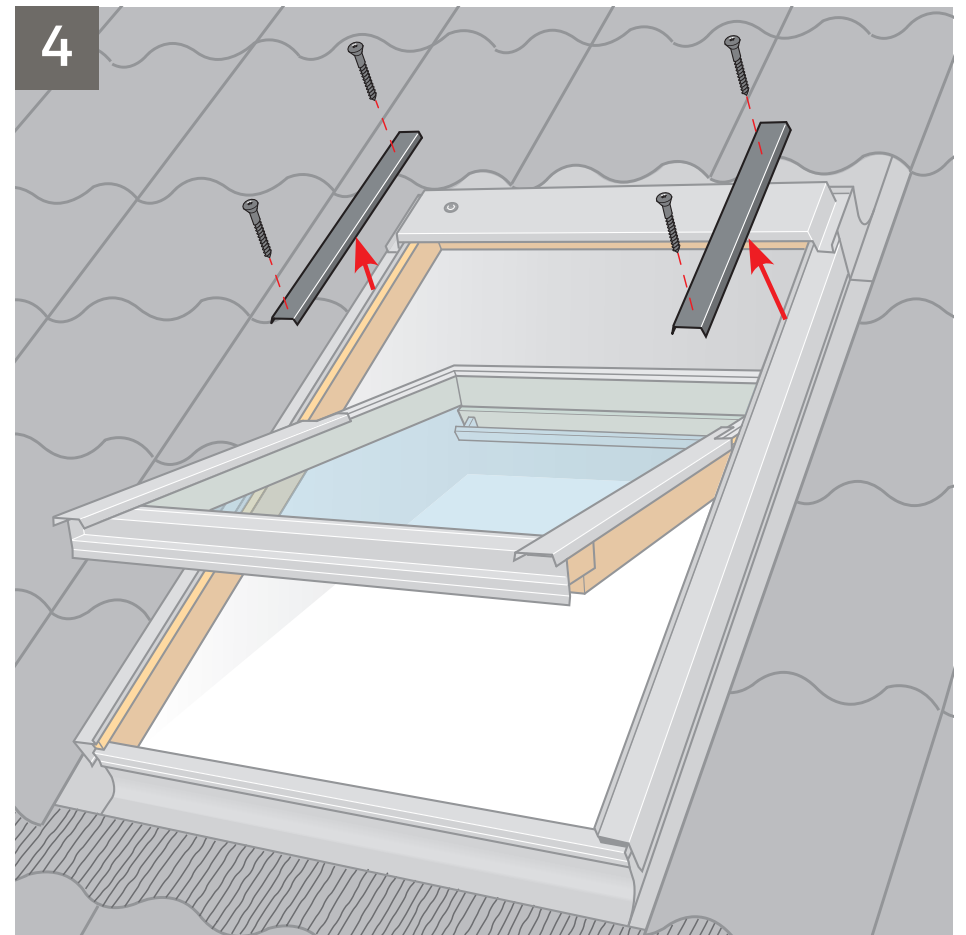
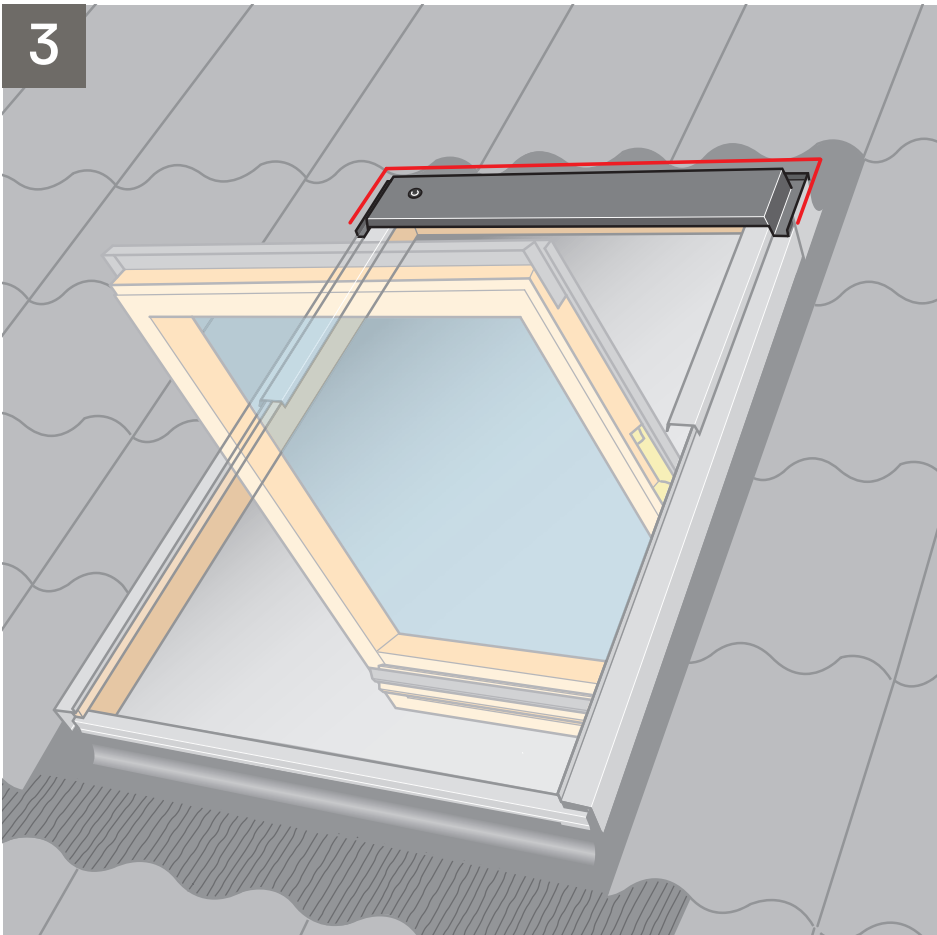
Torx 20

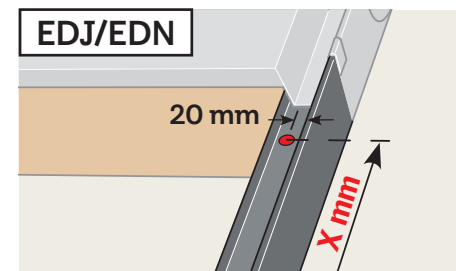
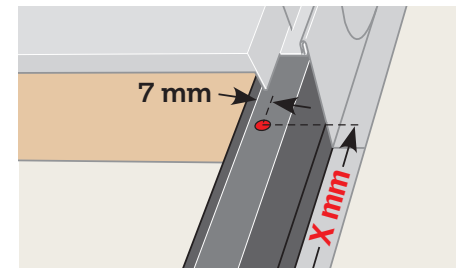
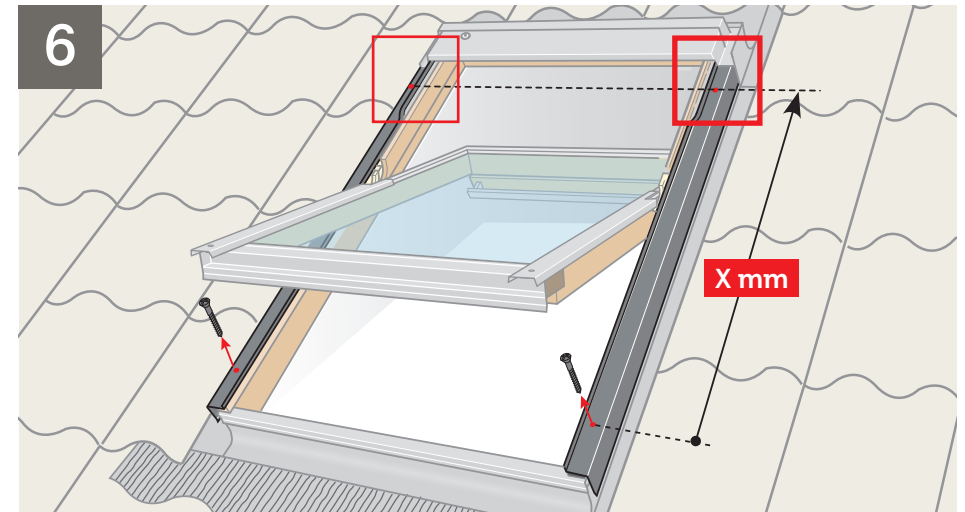
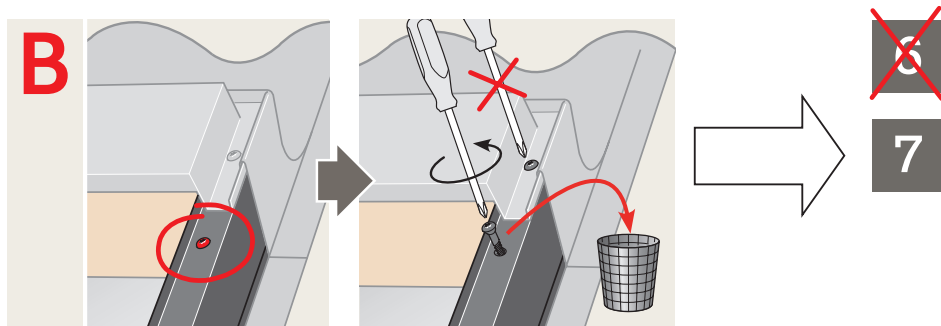
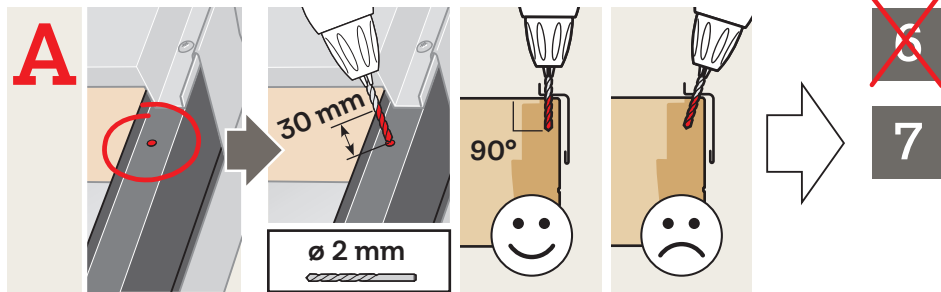
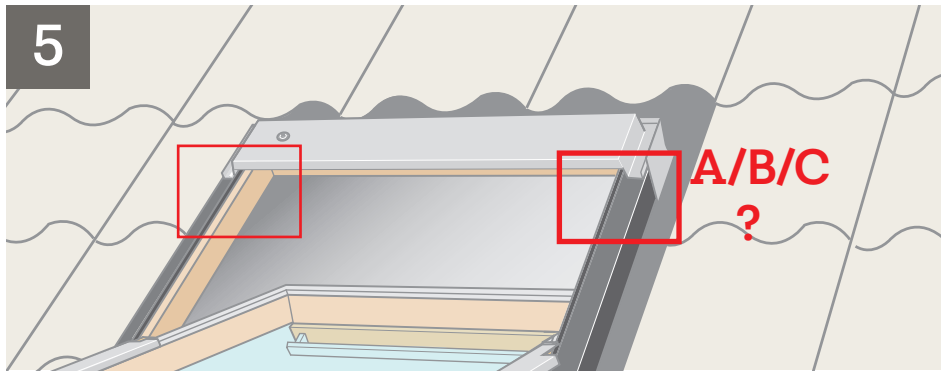
1



2

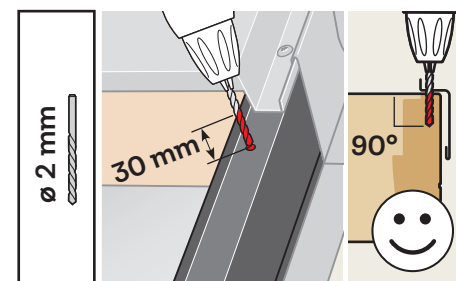




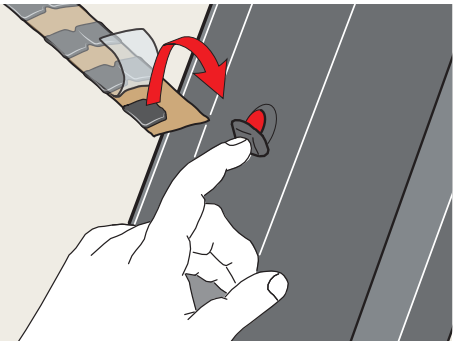
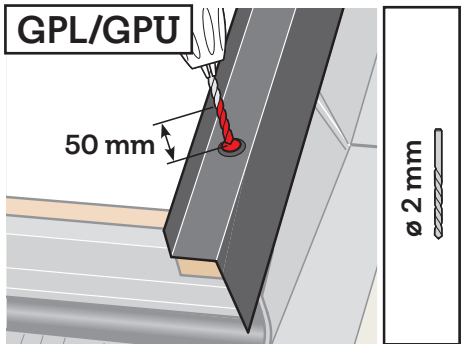
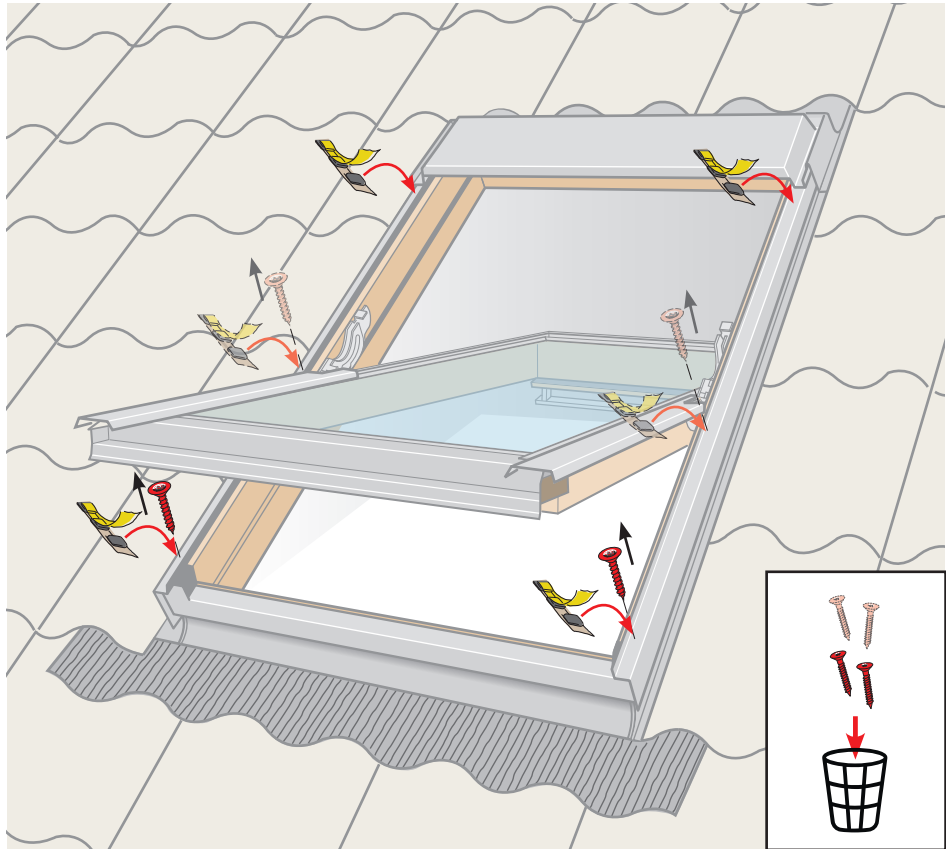


GGL/GGU/GFL/GZL	X mm
325, 425	263
601	411
101	431
102	511
304, 404, 804	691
104, 204	711
306, 406, 606	891
206	911
308, 408, 608, 808	1111
310, 410, 610, 810	1313
312	1513

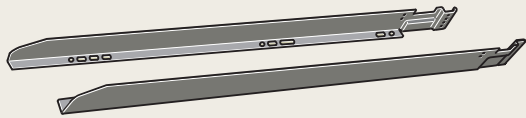
GHL/VTL	X mm
101	431
102	511
104, 204	711
304, 404, 804, 1, 6, 7, 31	715
206	911
306, 606, 4, 5, 14	915
308, 608, 808, 2, 8, 10	1135



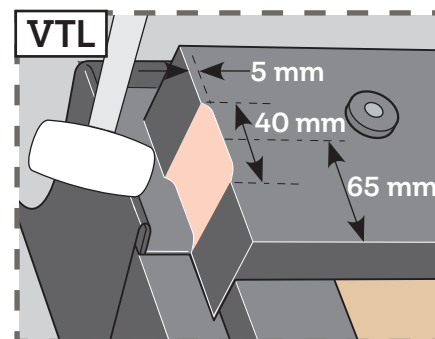
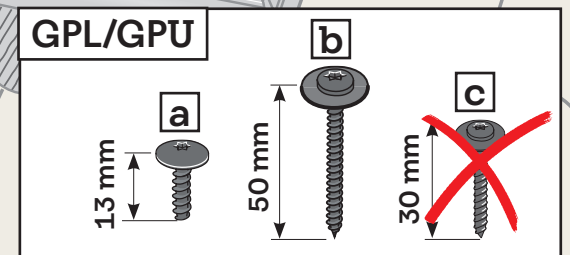
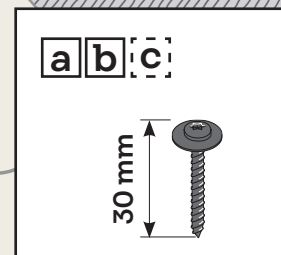
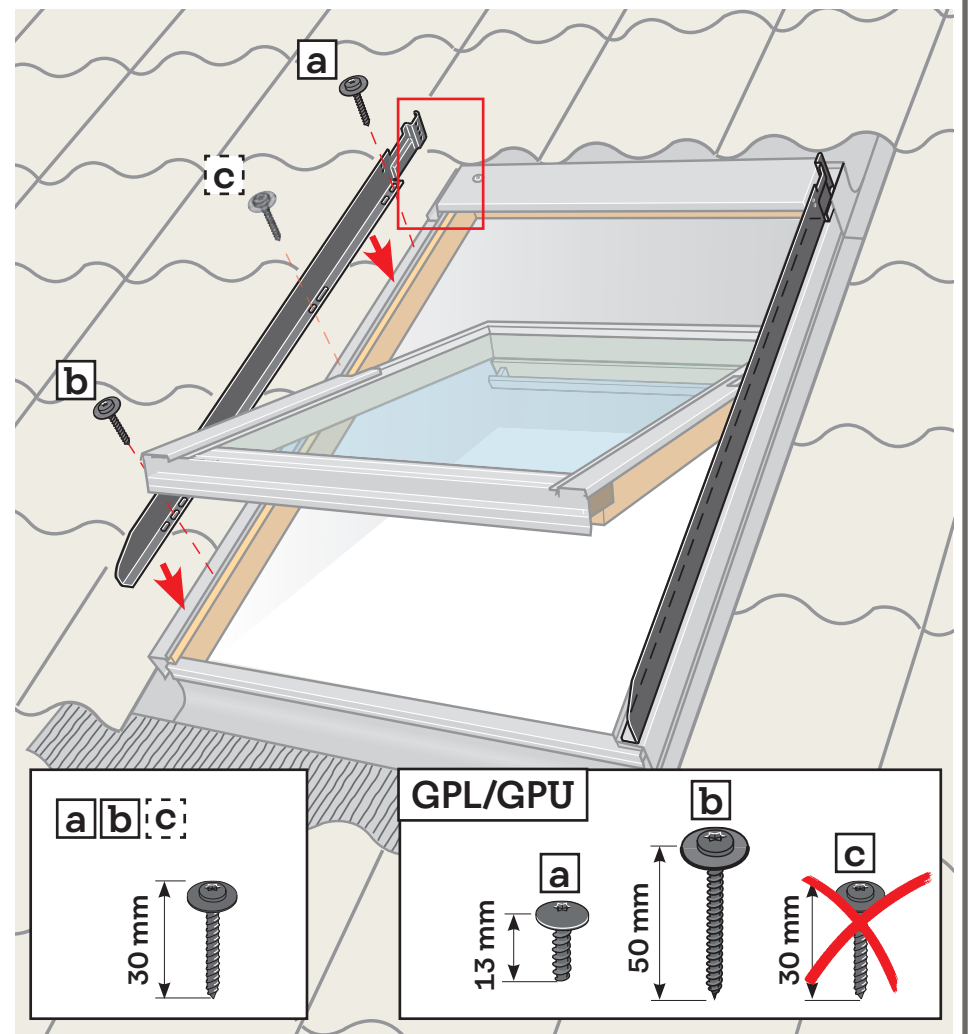
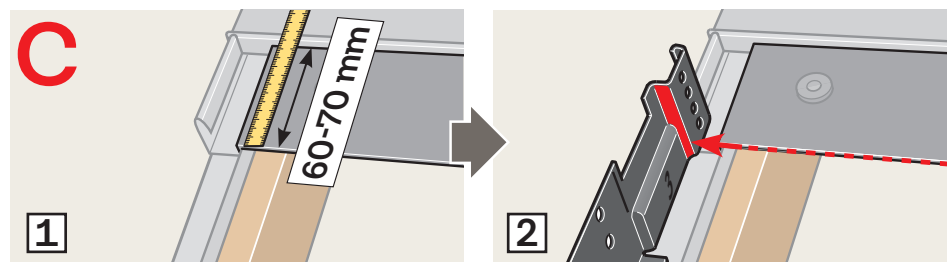
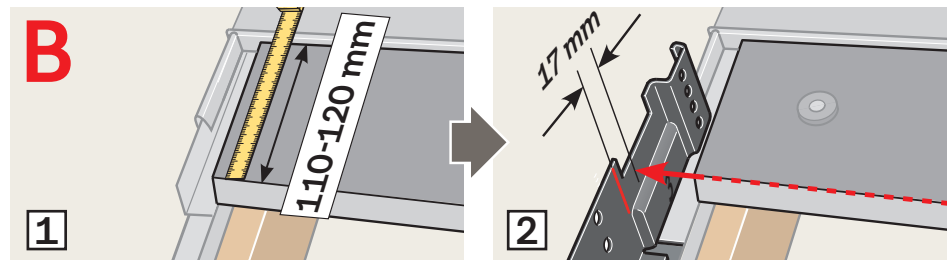
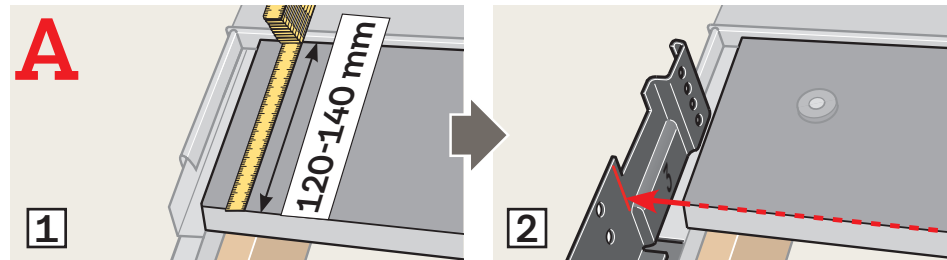
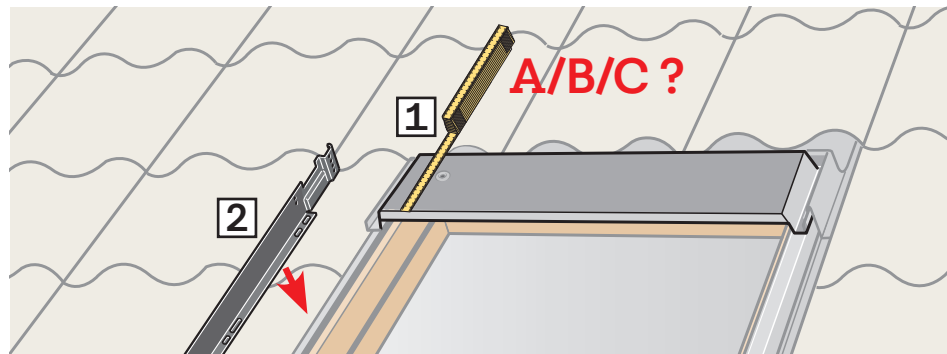
7

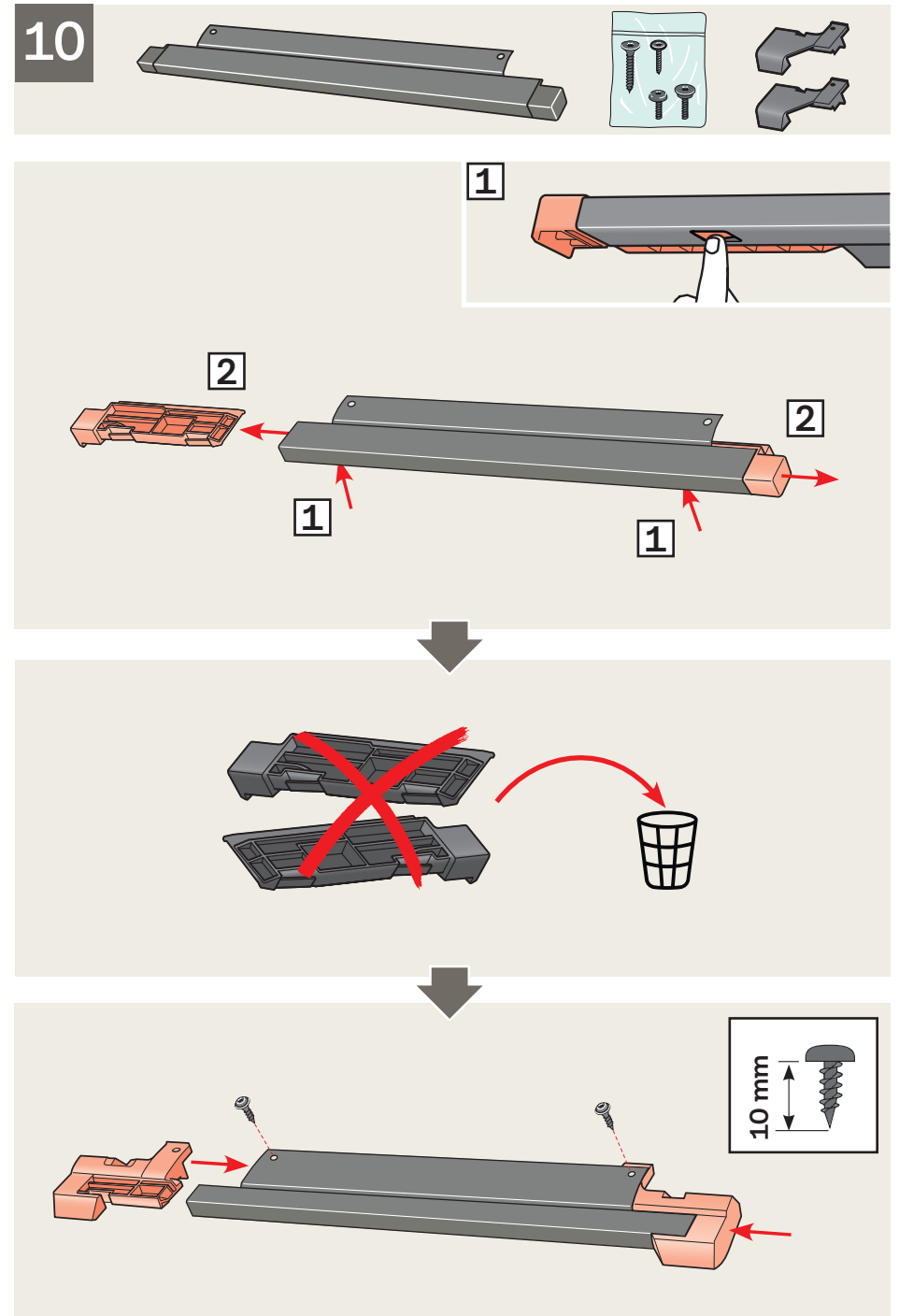
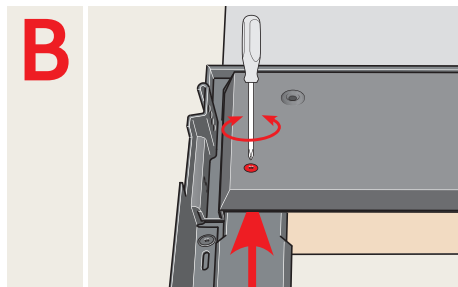
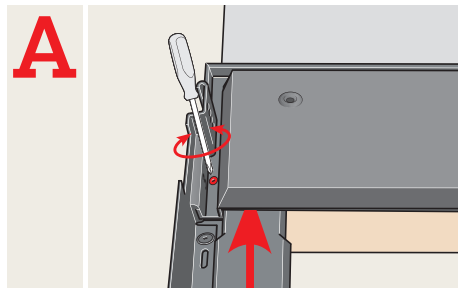
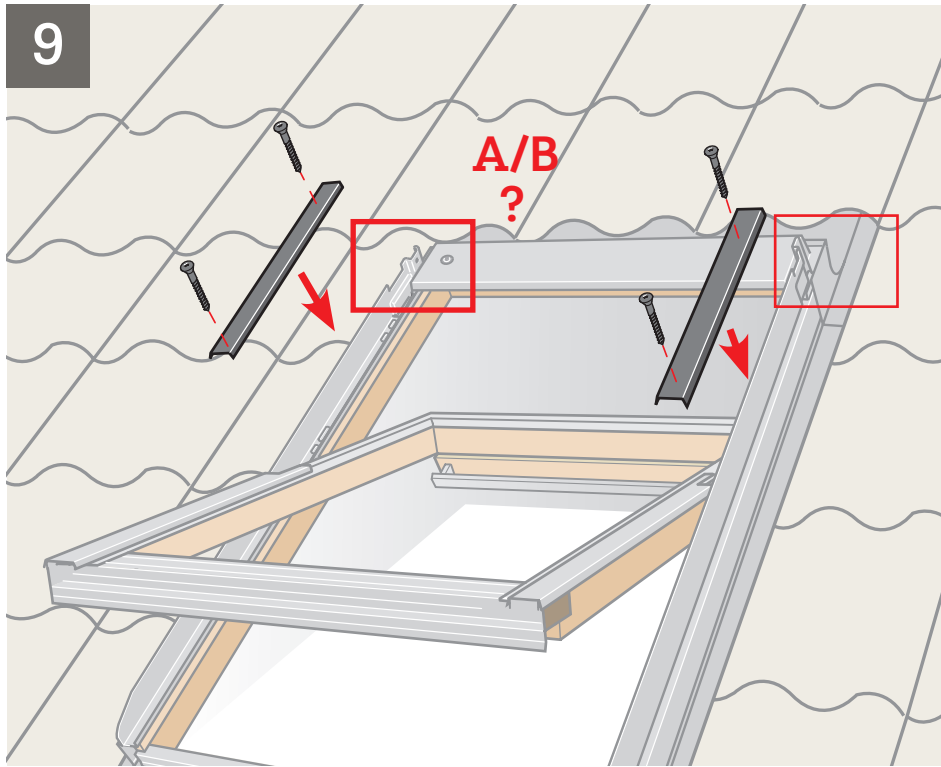


8

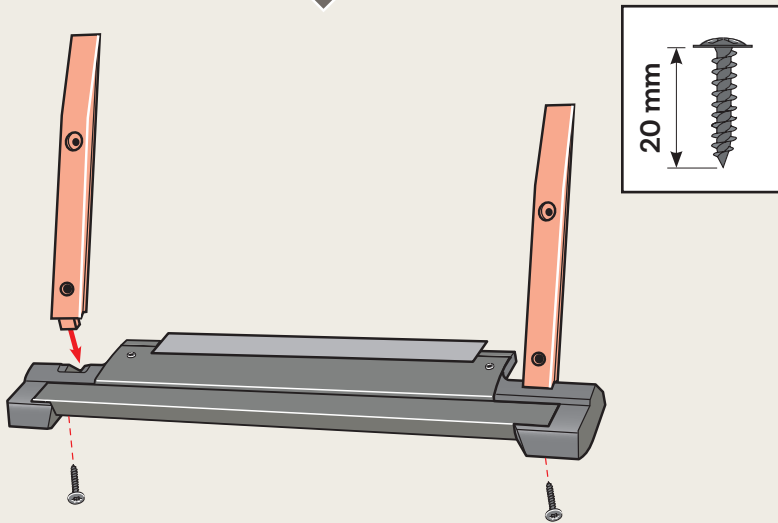
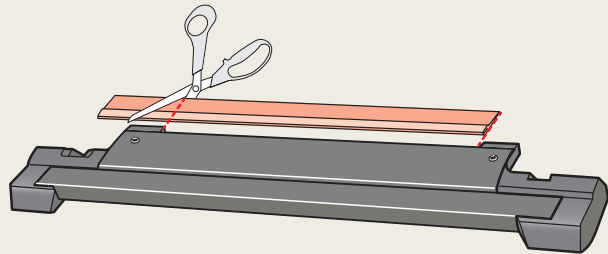
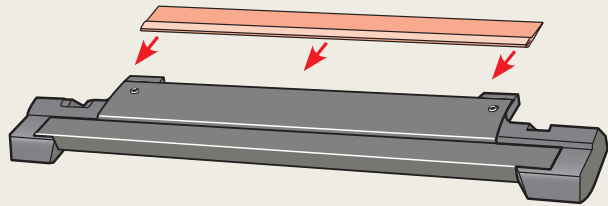
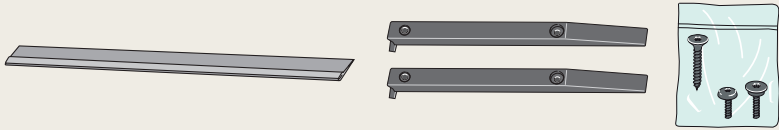


ZOZ 253/254



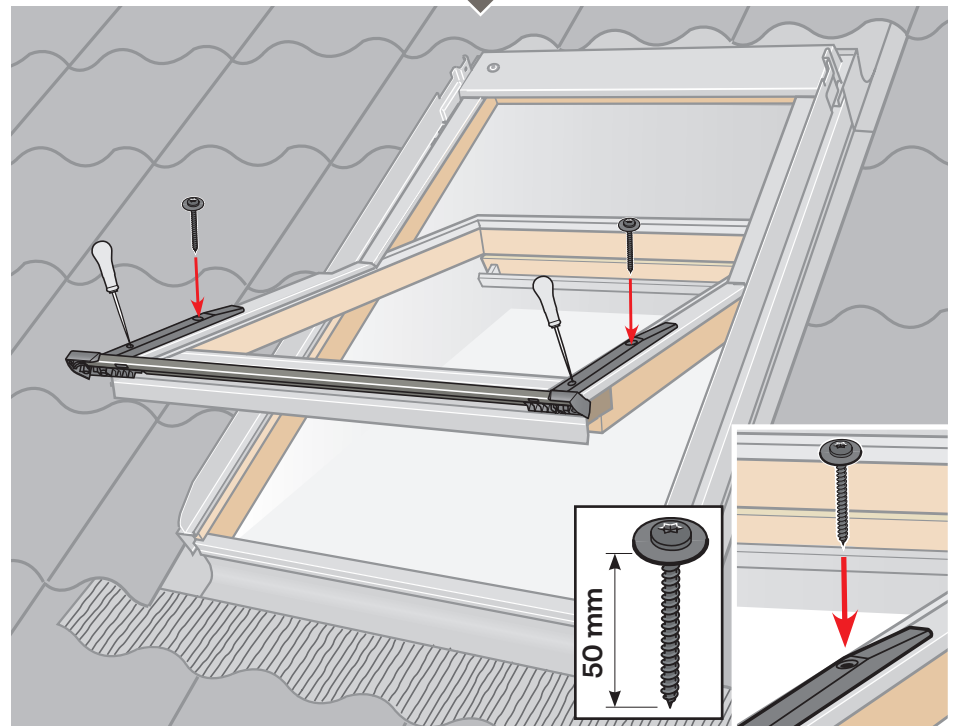
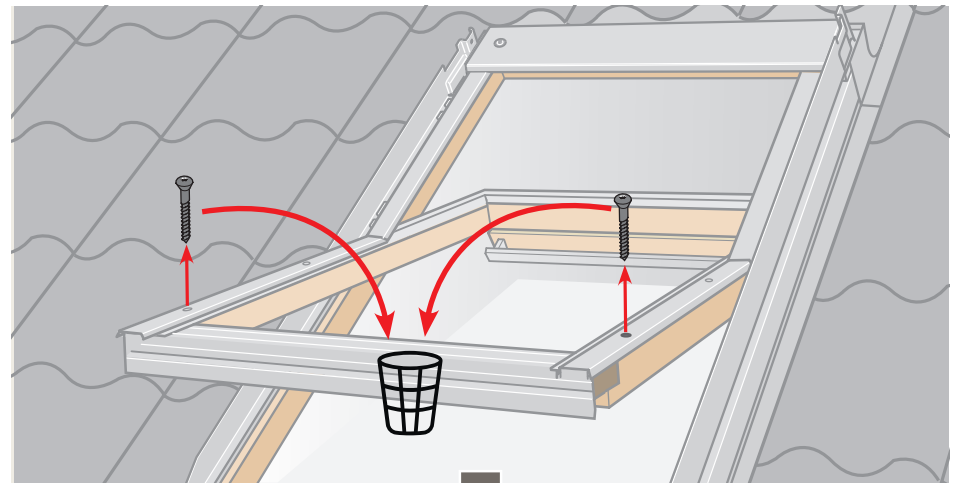
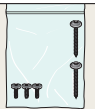


11

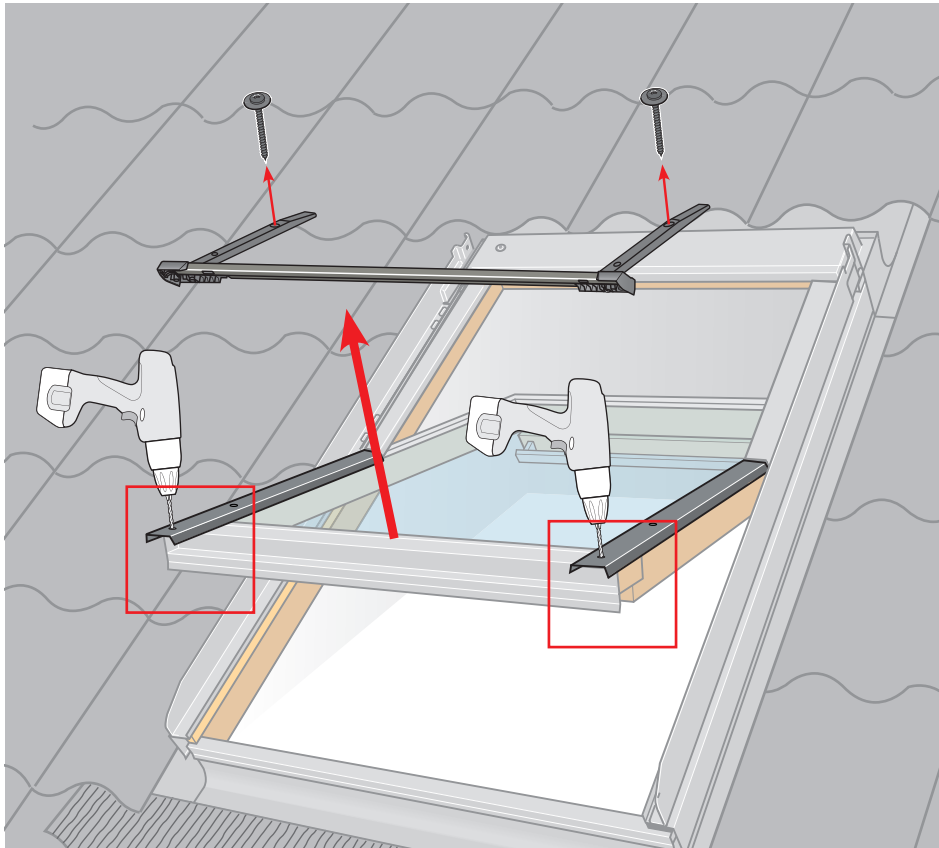


12

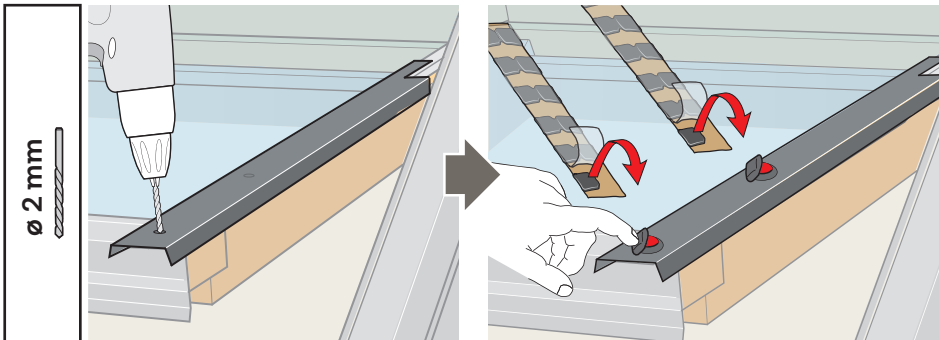
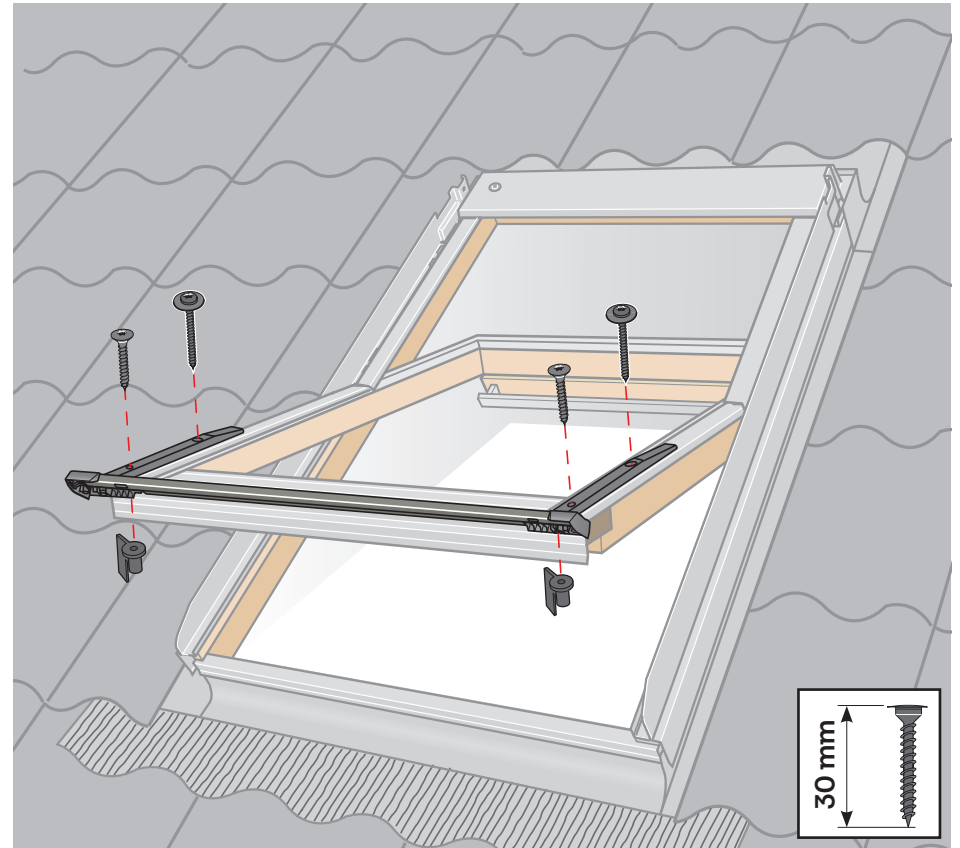
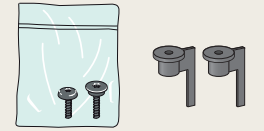
ZOZ 253/254



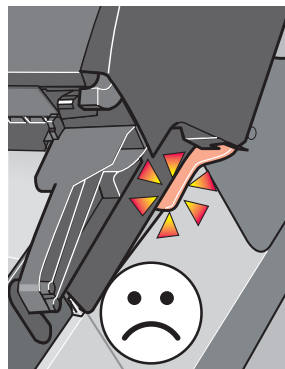
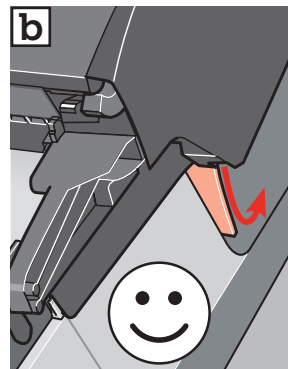
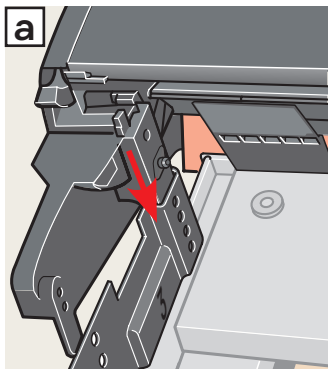
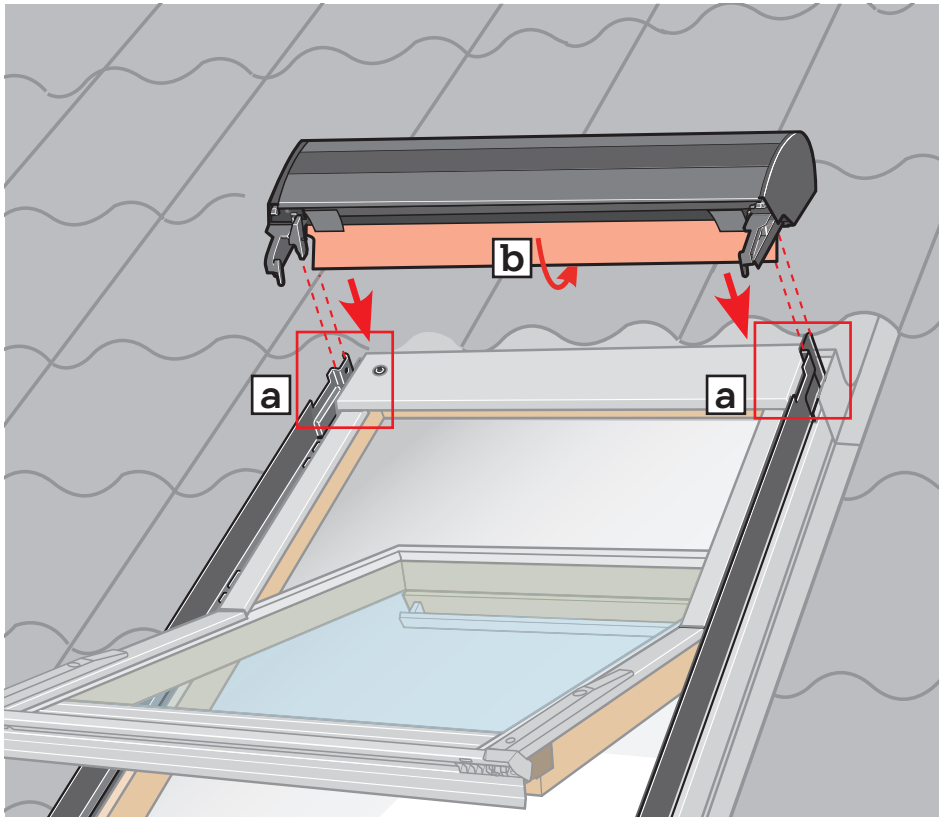
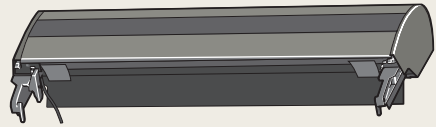
13



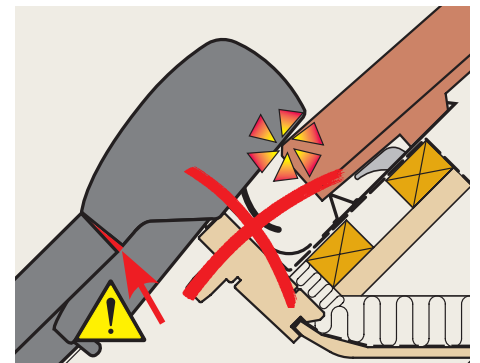
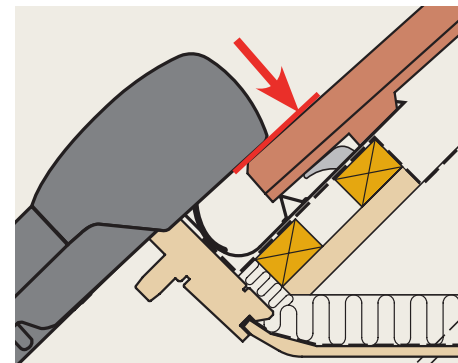
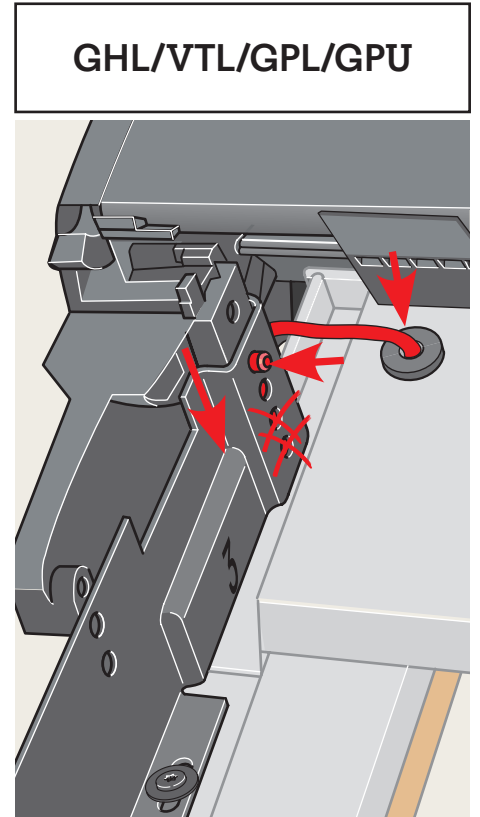
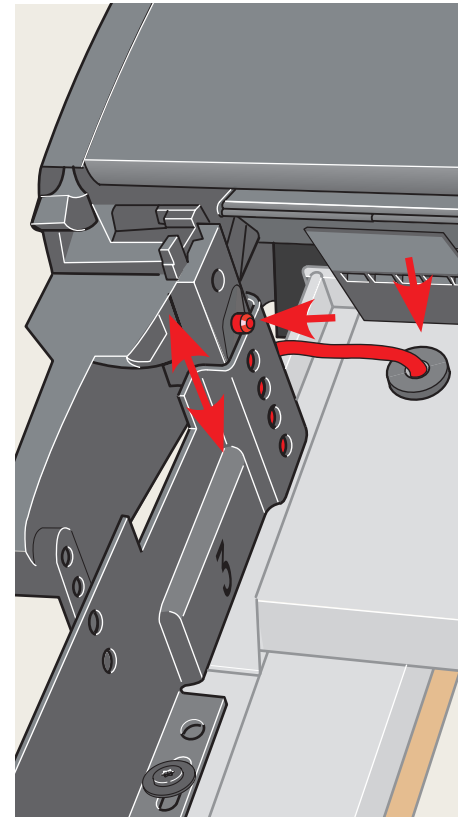
14



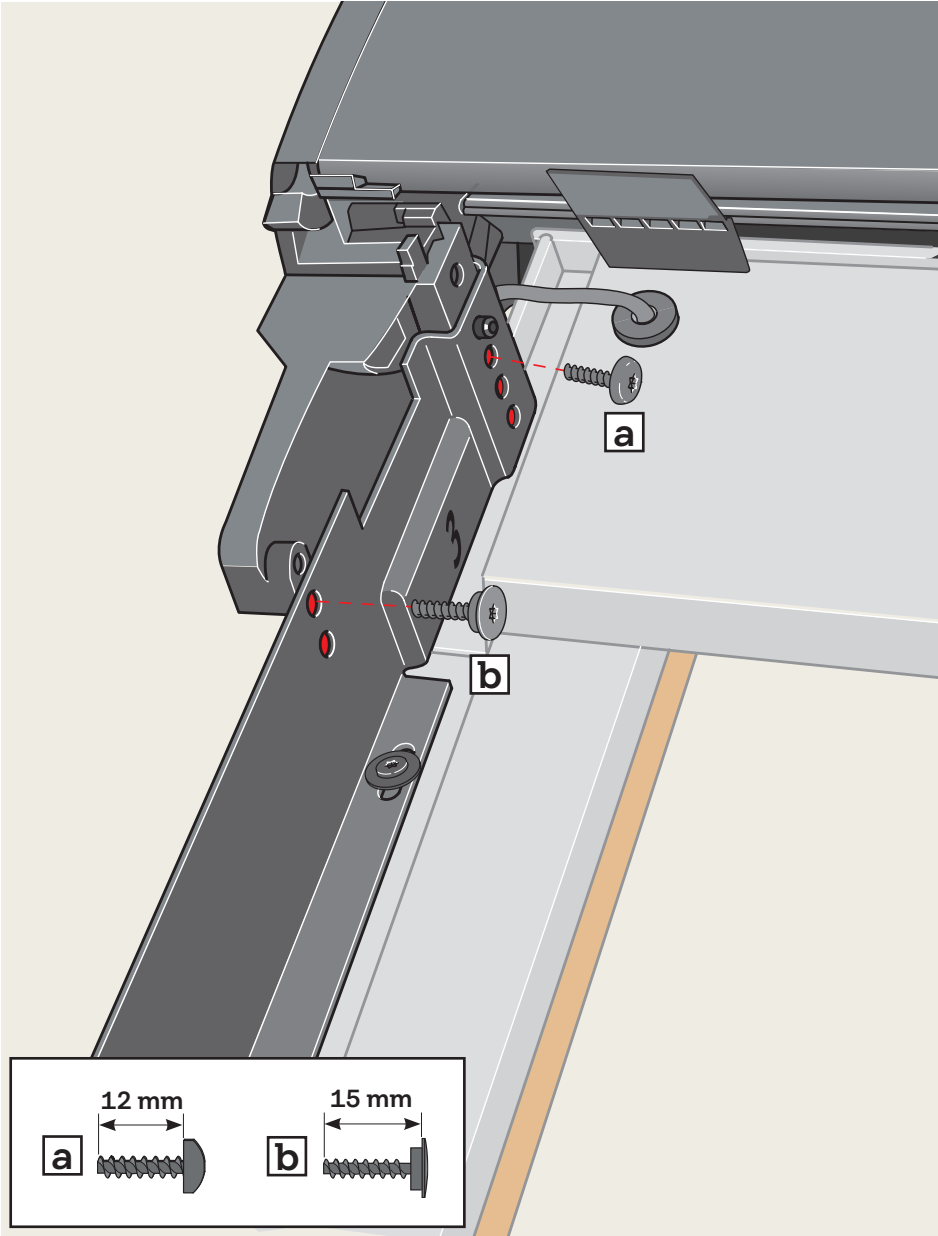
15



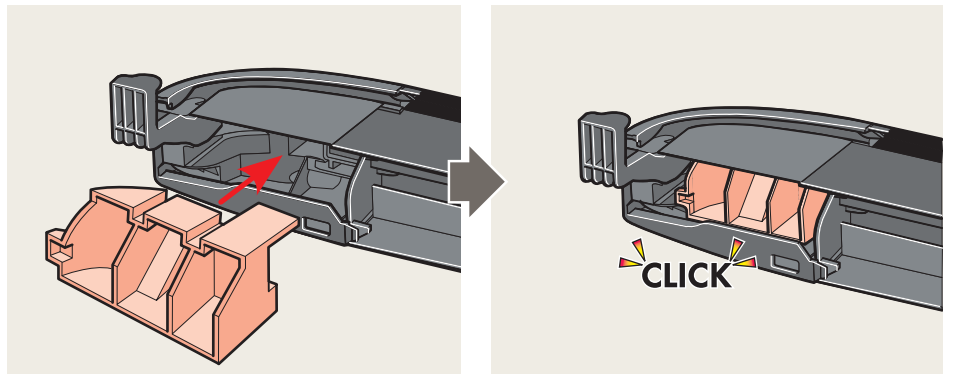
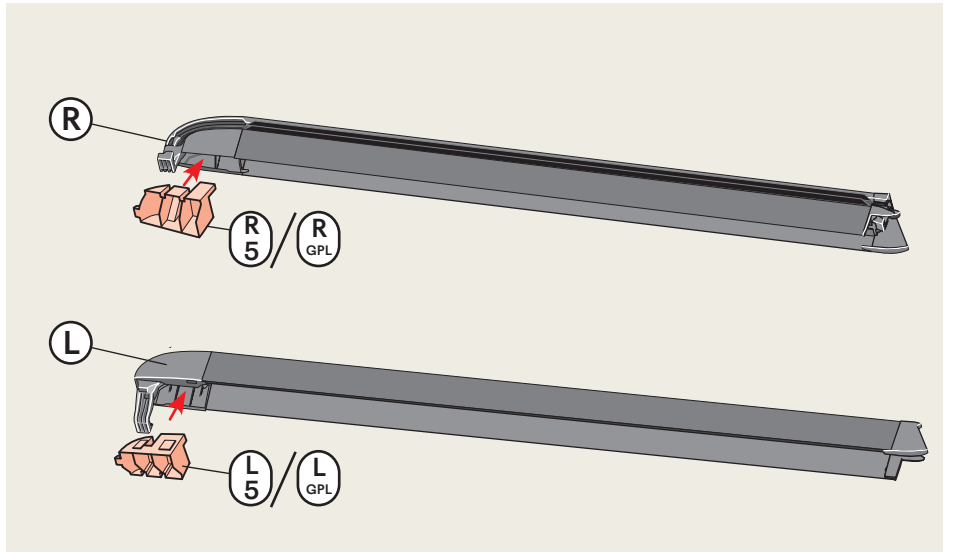
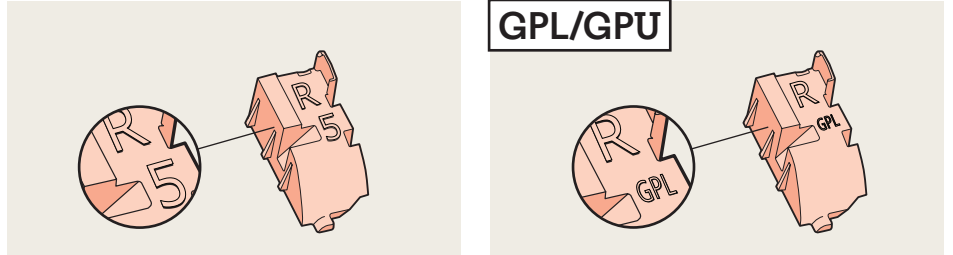
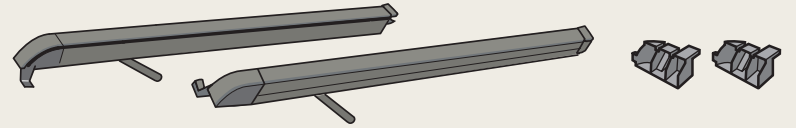
16

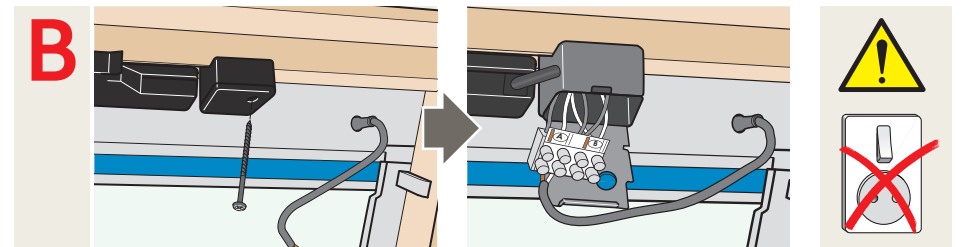
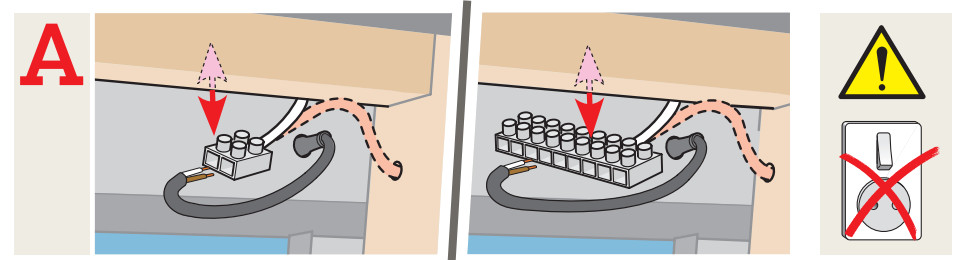
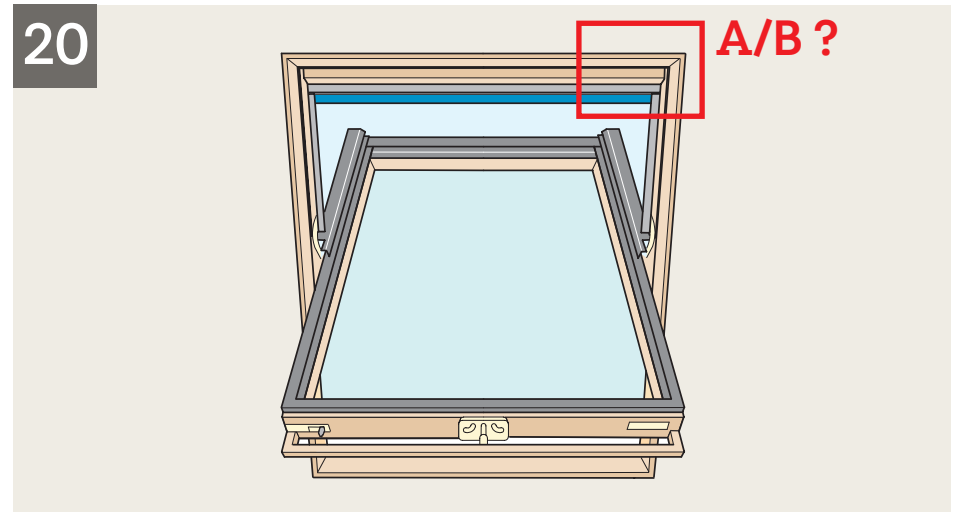
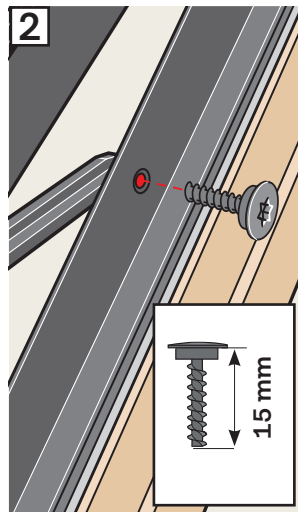
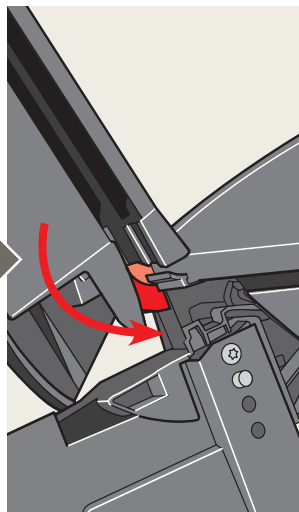
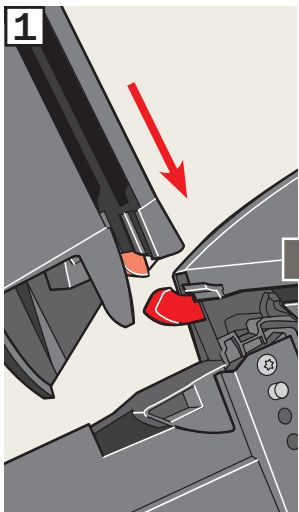
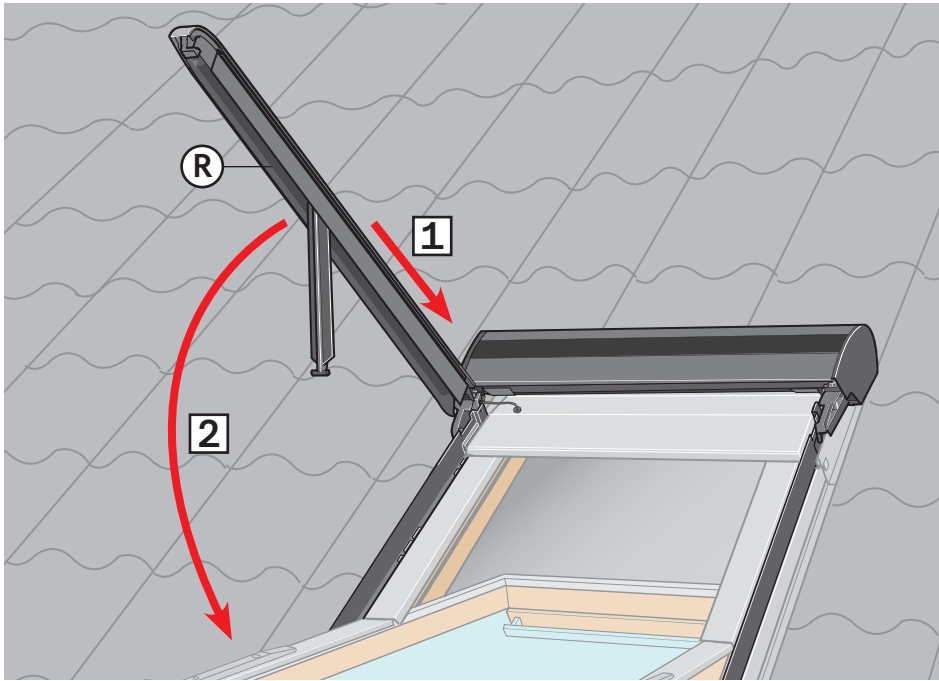
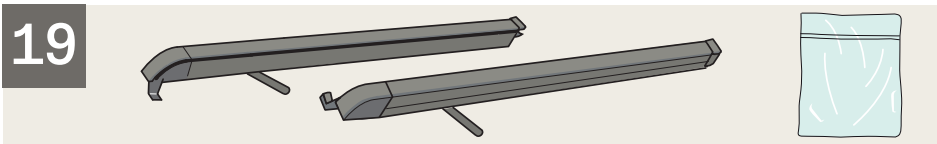


17



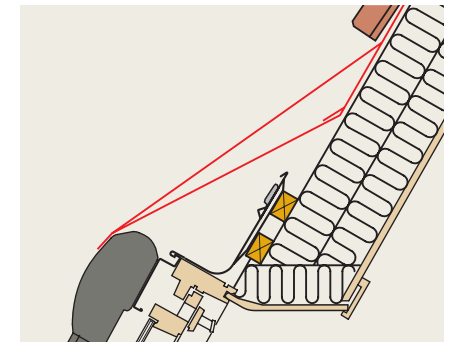
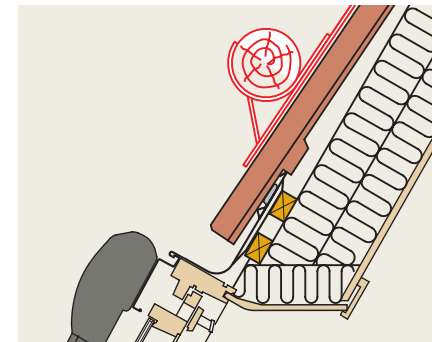
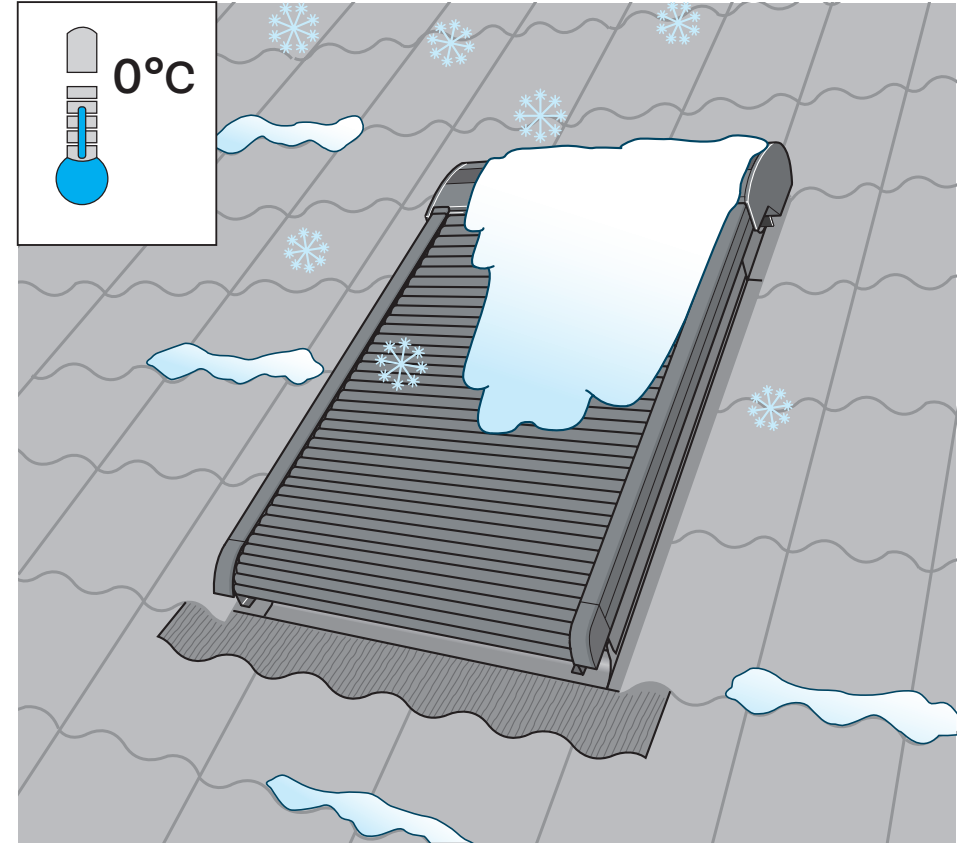
18



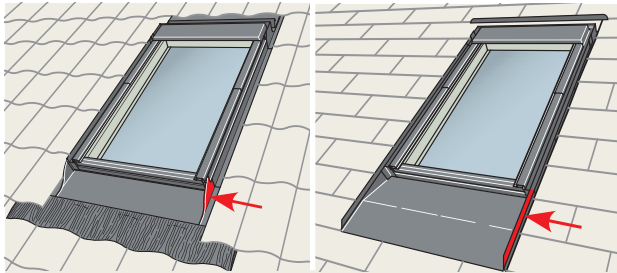




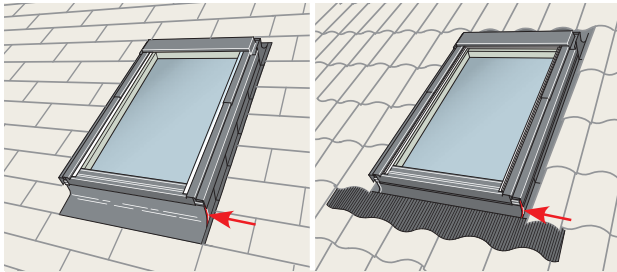
www.velux.com/electricalsupport



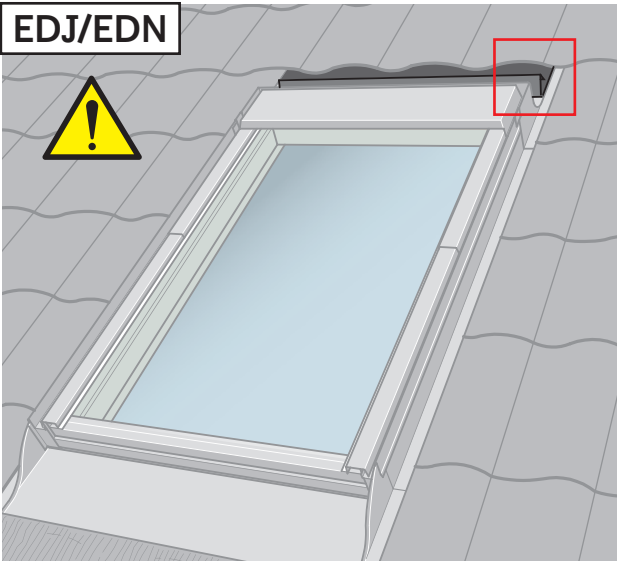
i



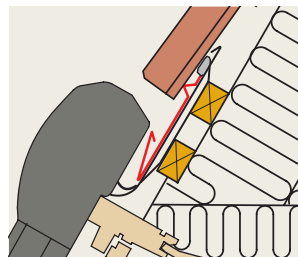
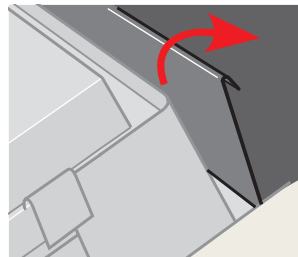
EDJ, EDN



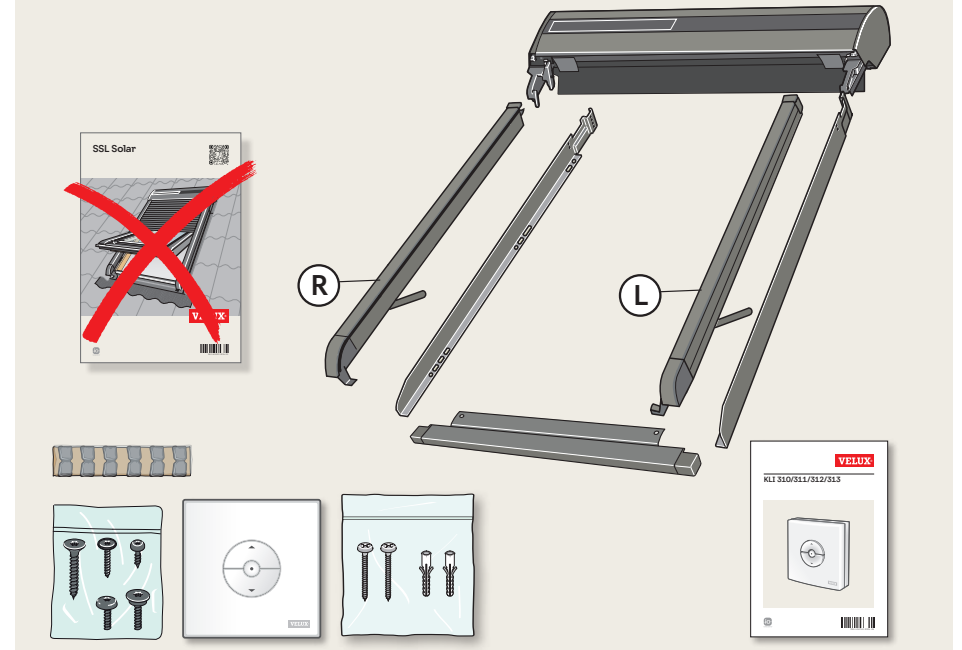
EDL, EDZ, EDS, EDH, EDW, EDE, EDM



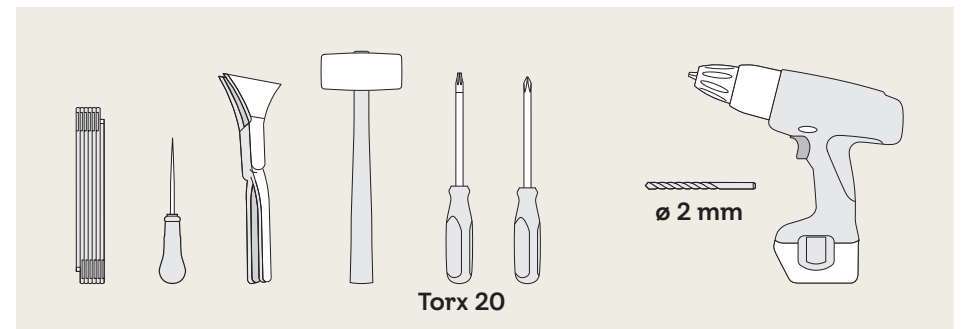
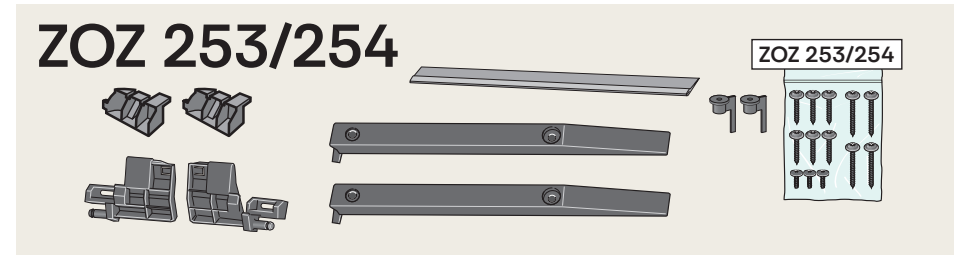
EDJ/EDN

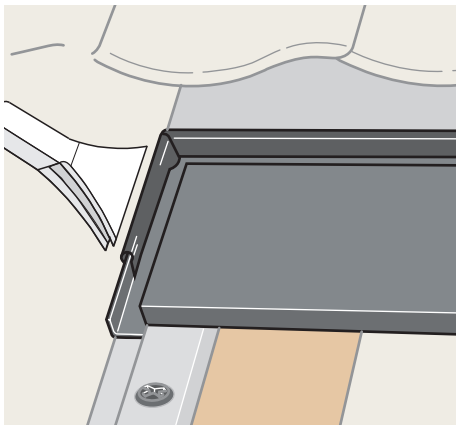
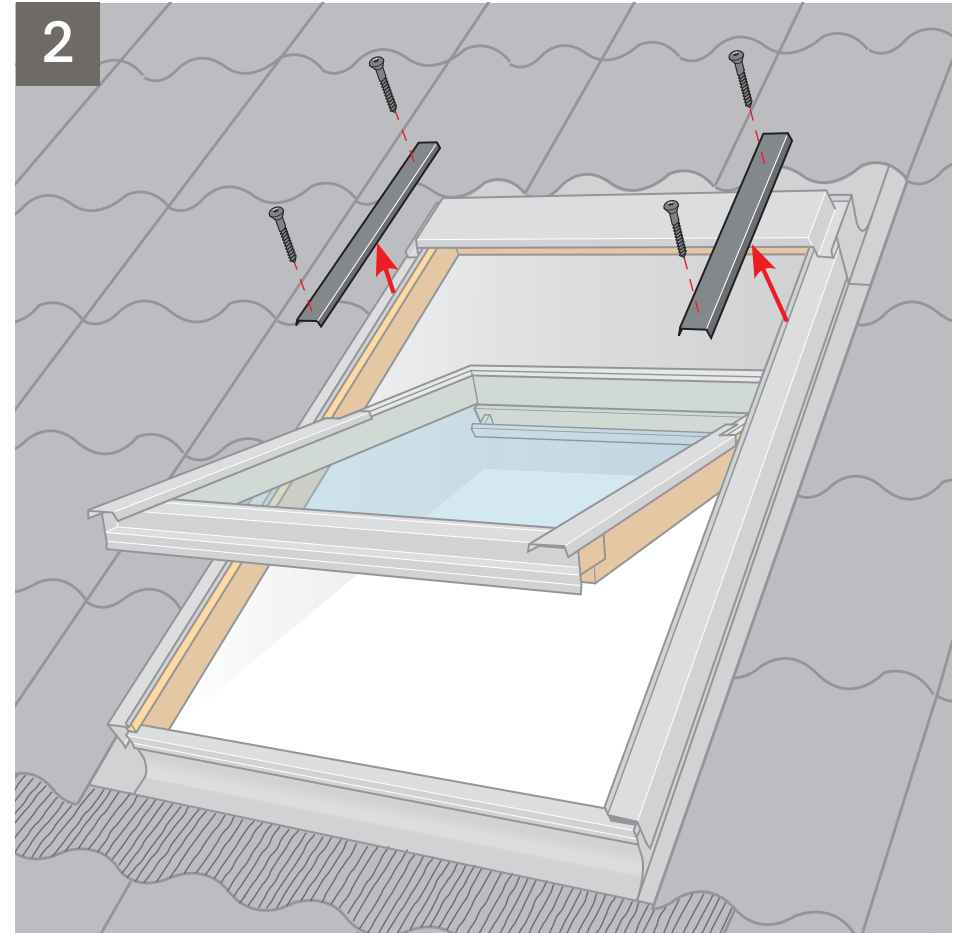
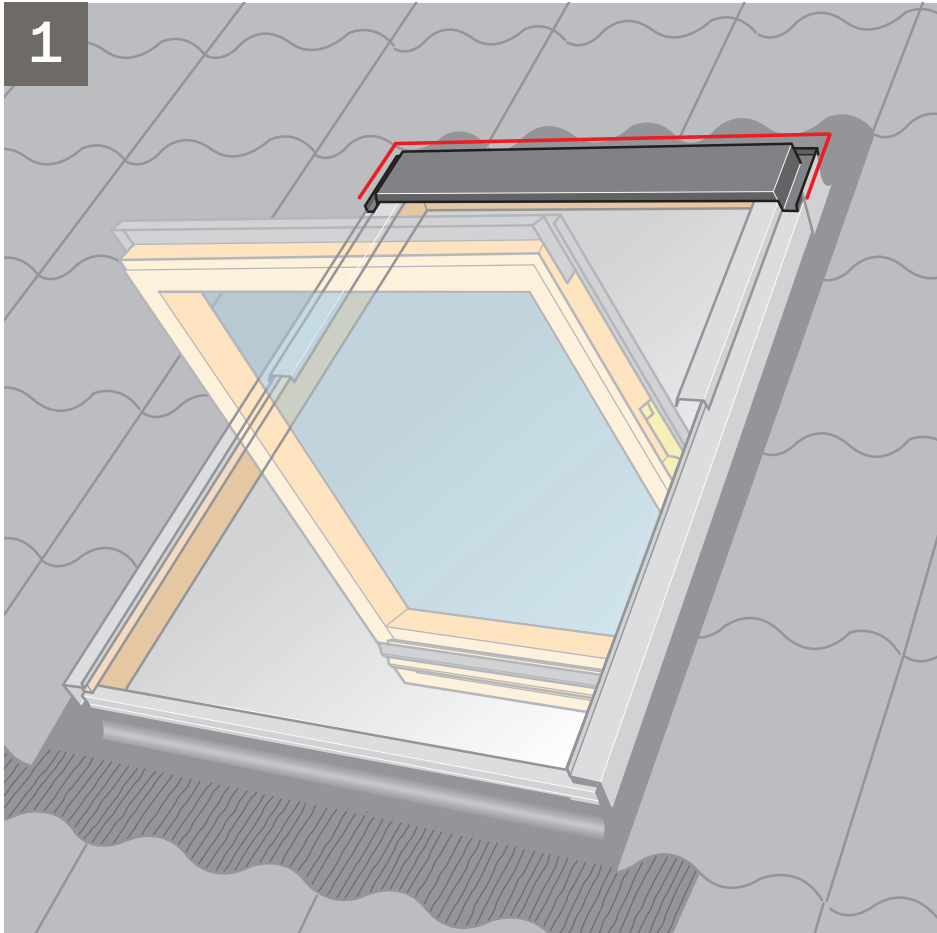


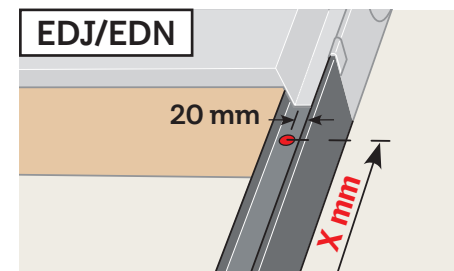
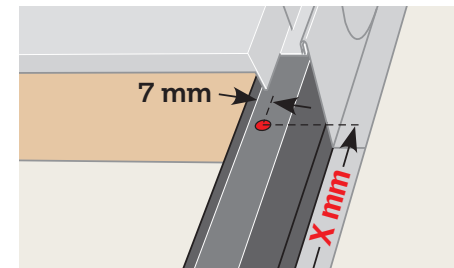
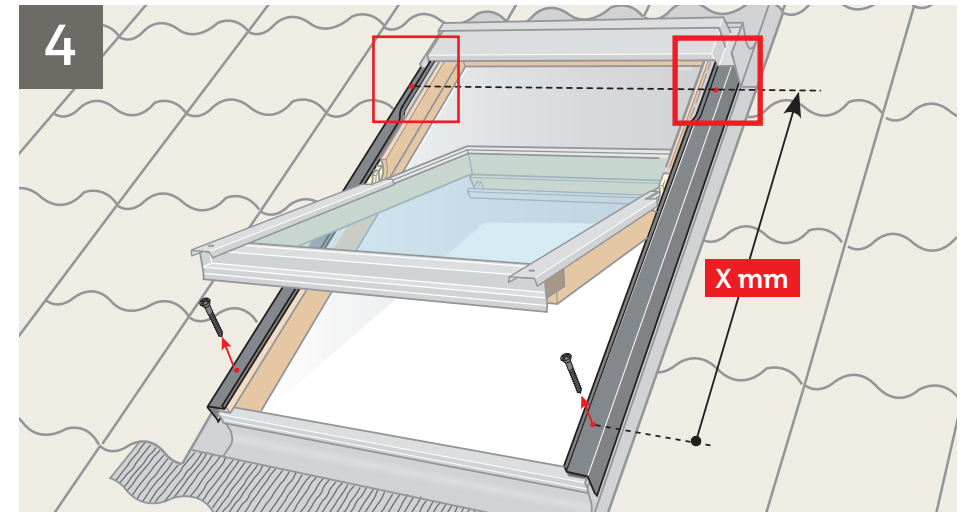
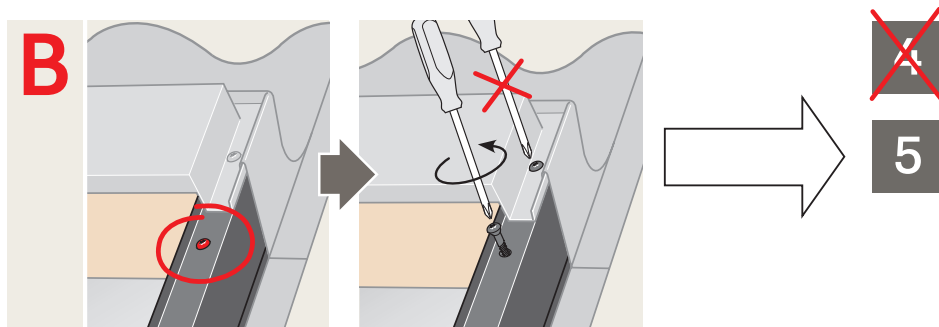
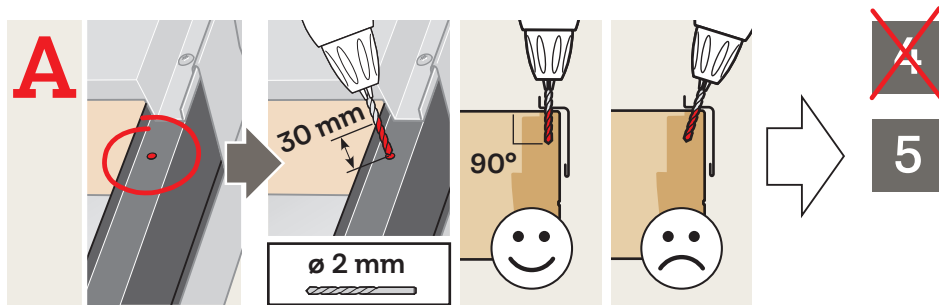
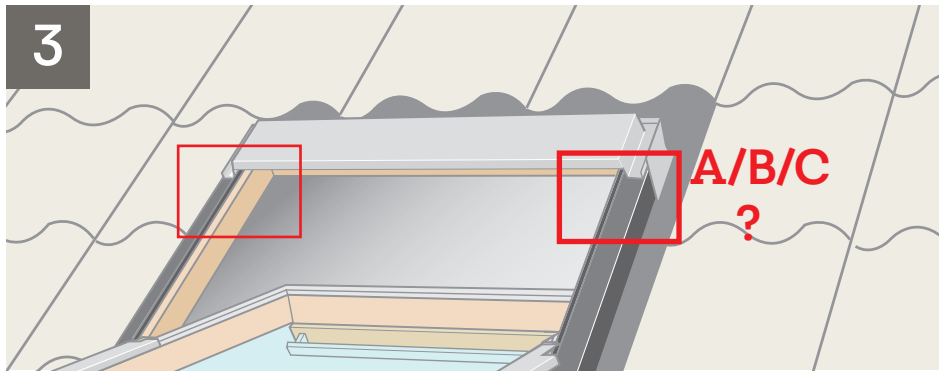
SSL Solar



ZOZ 253/254

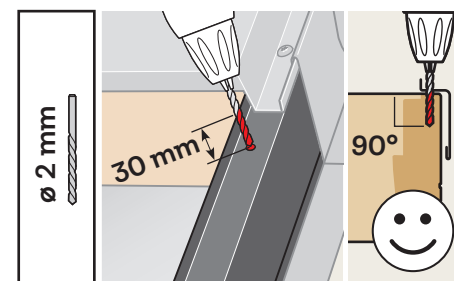




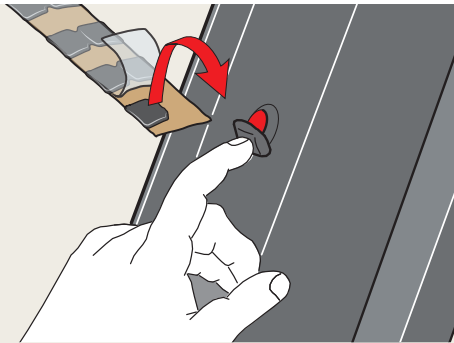
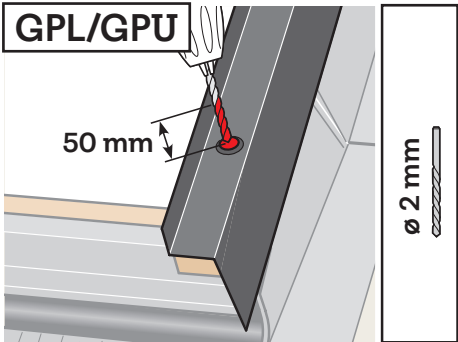
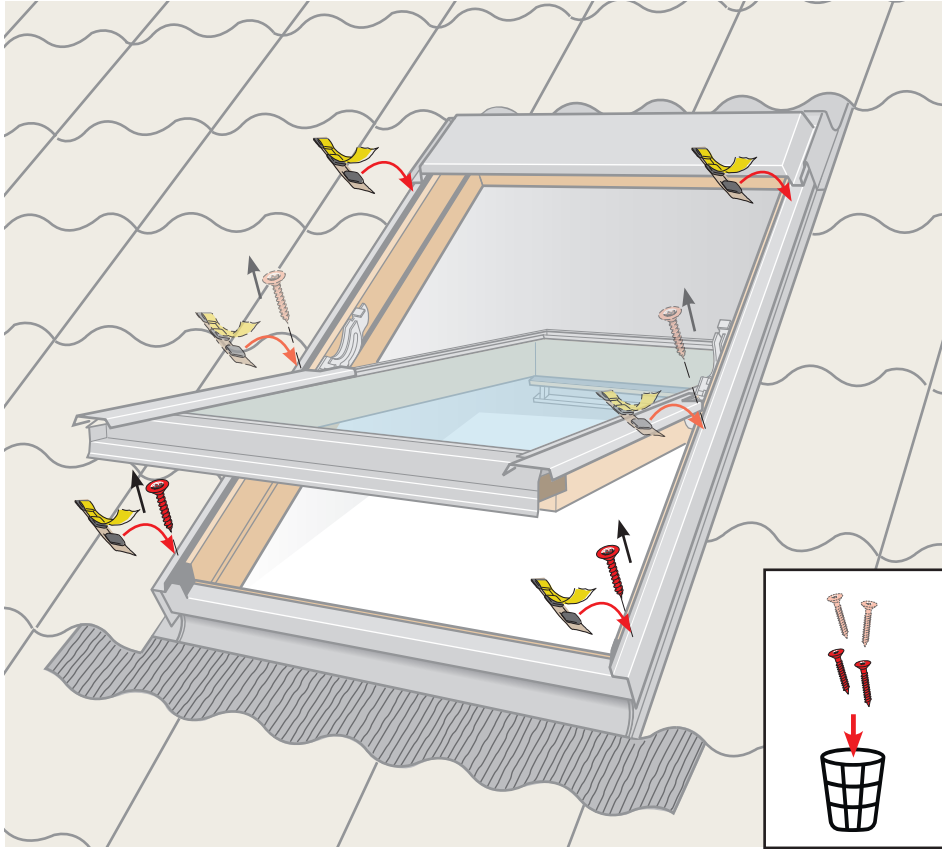


GGL/GGU/GFL/GZL	X mm
325, 425	263
601	411
101	431
102	511
304, 404, 804	691
104, 204	711
306, 406, 606	891
206	911
308, 408, 608, 808	1111
310, 410, 610, 810	1313
312	1513

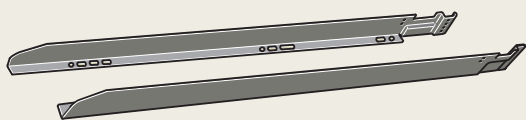
GHL/VTL	X mm
101	431
102	511
104, 204	711
304, 404, 804, 1, 6, 7, 31	715
206	911
306, 606, 4, 5, 14	915
308, 608, 808, 2, 8, 10	1135



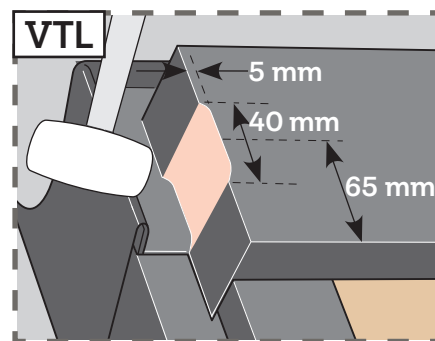
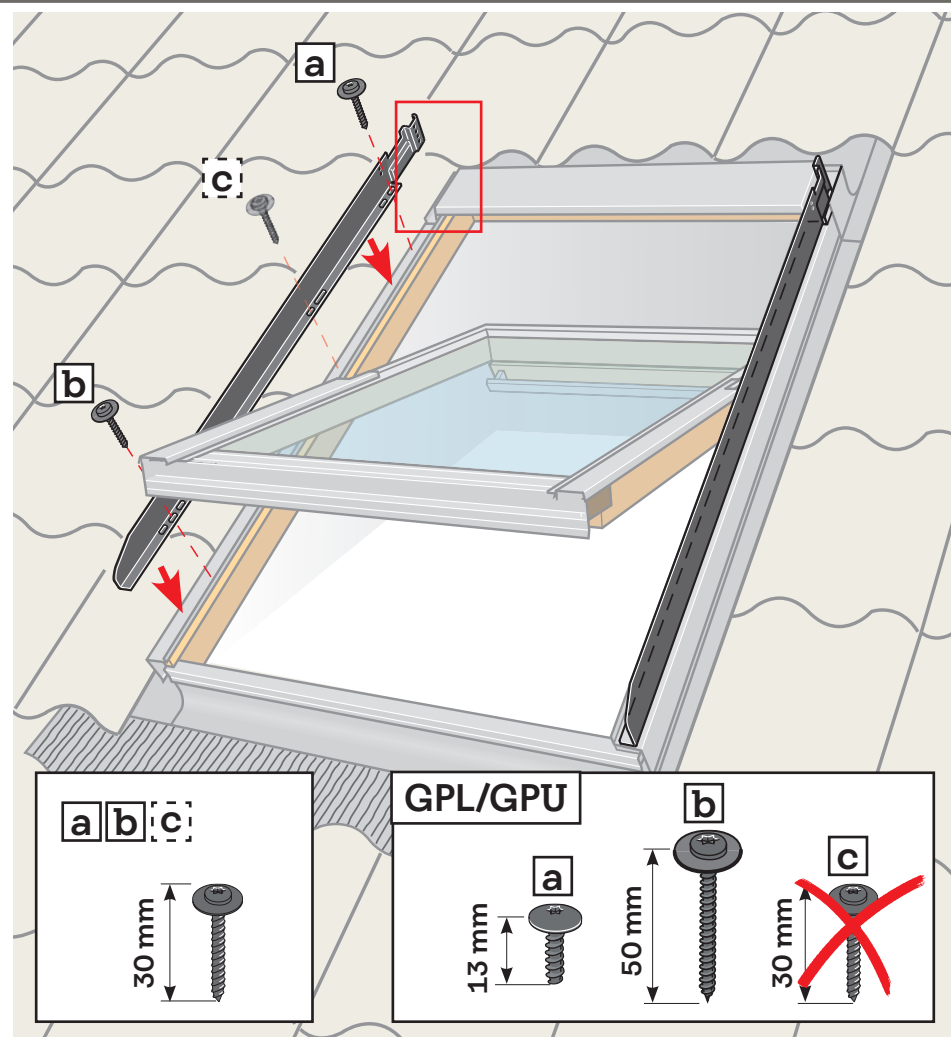
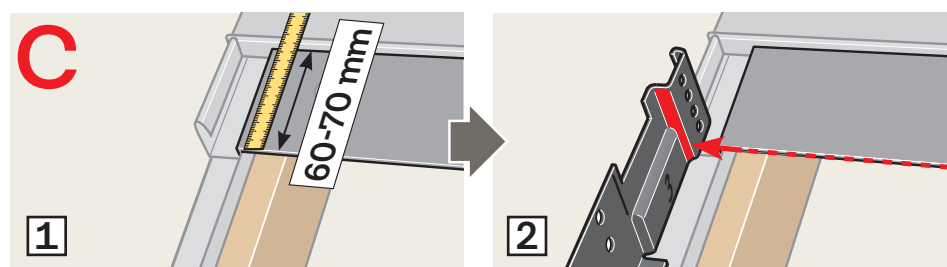
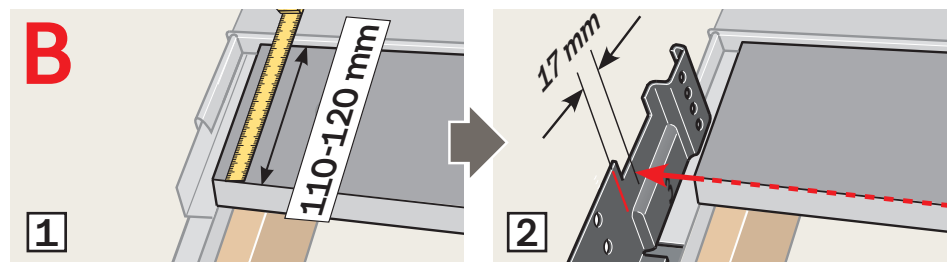
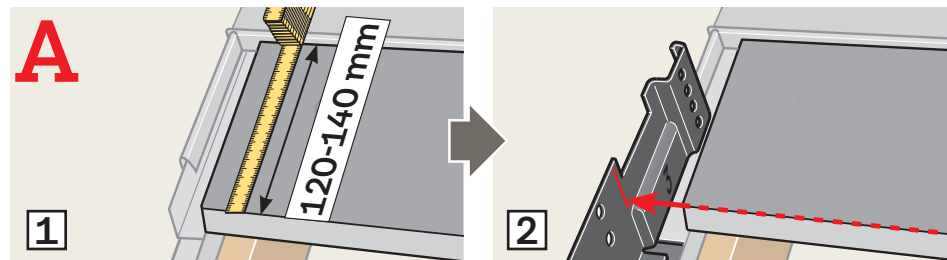
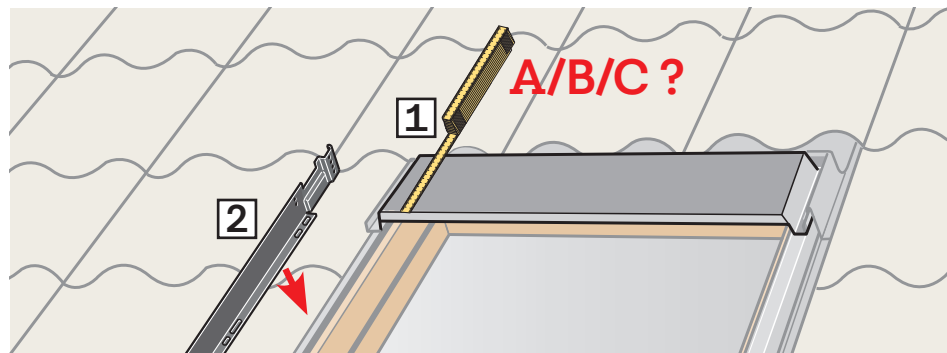
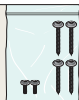
5

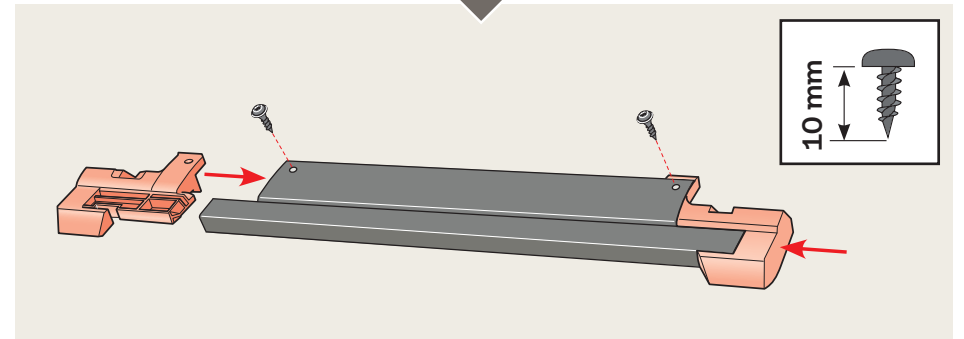
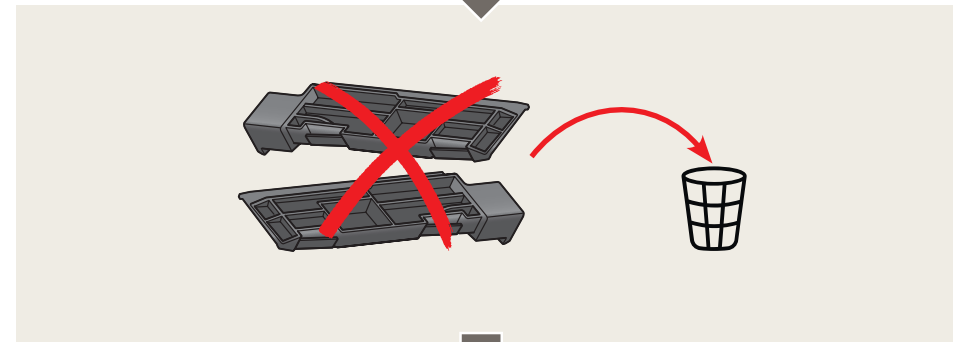
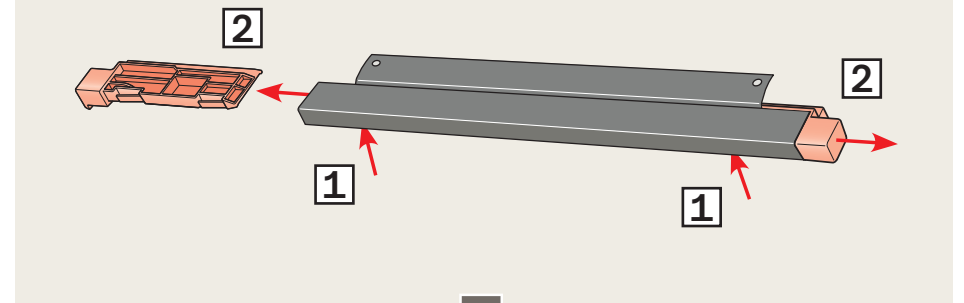
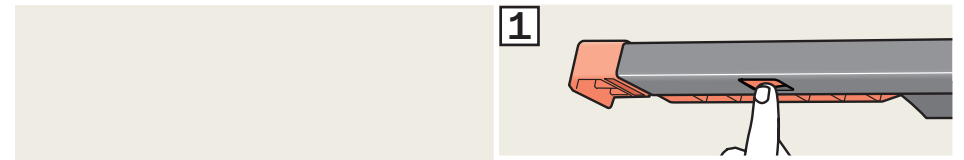
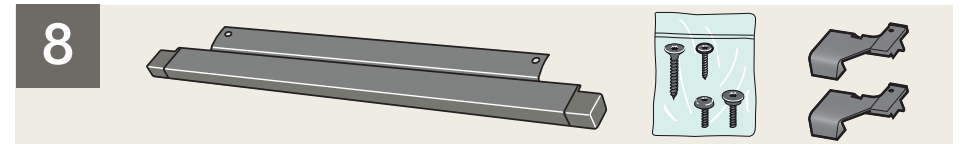
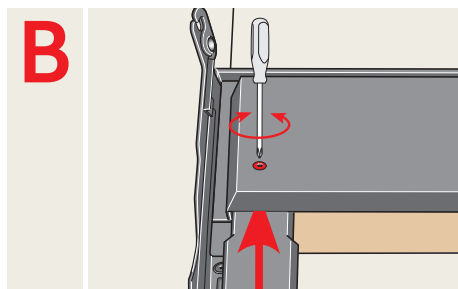
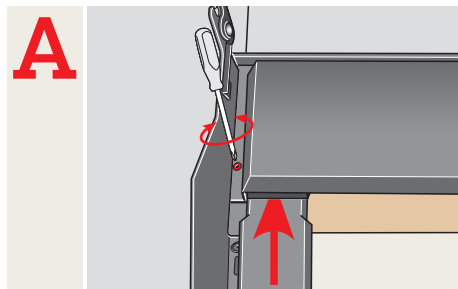
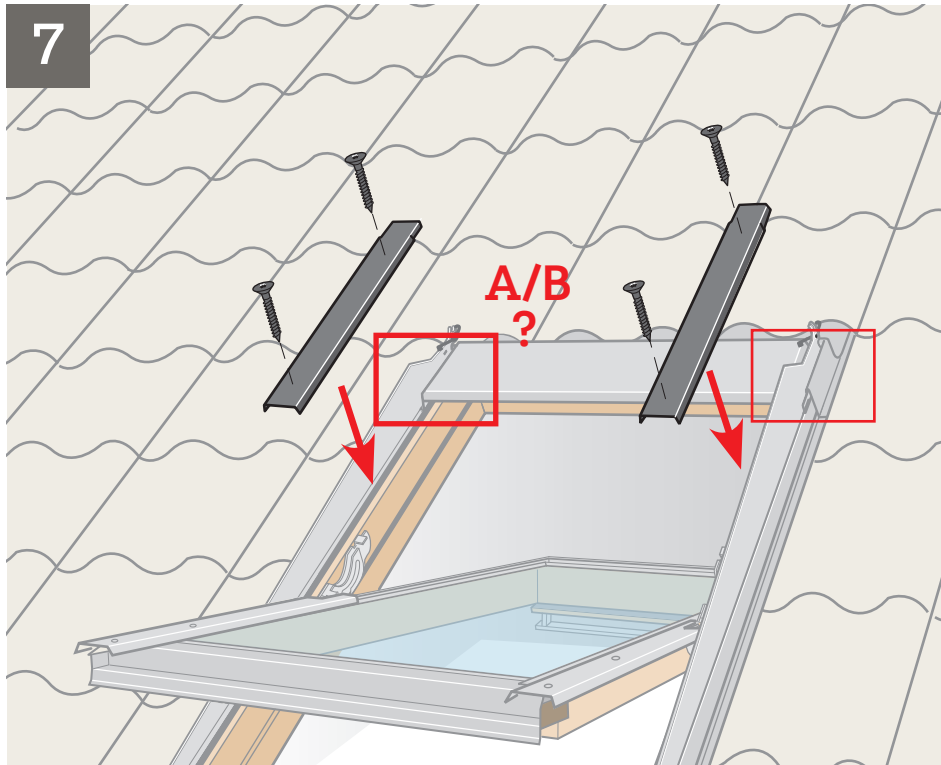


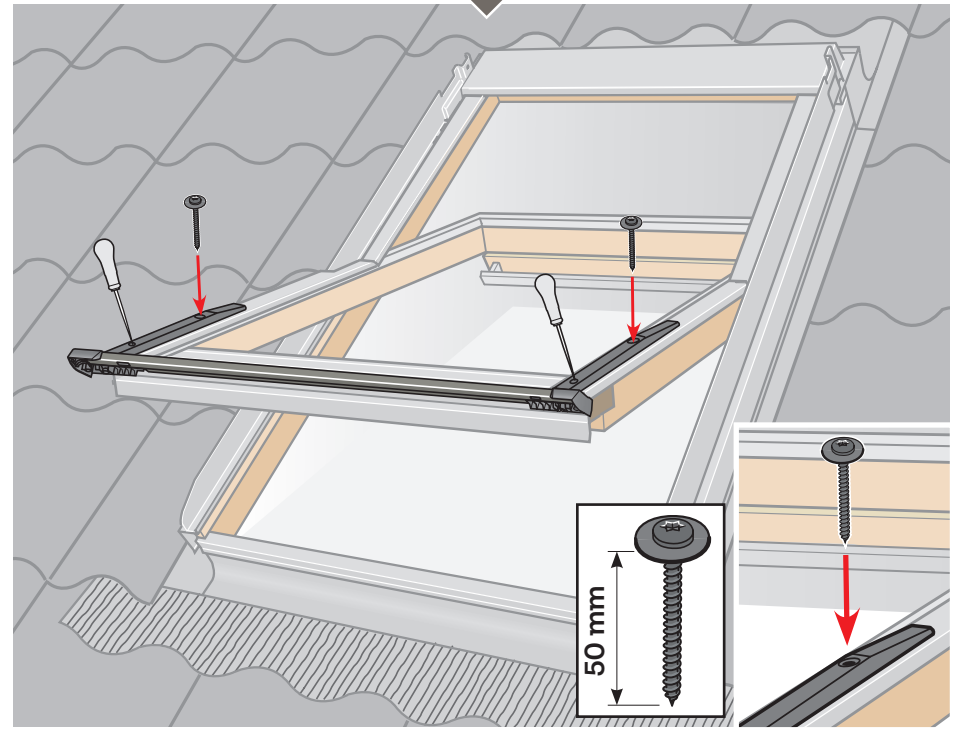
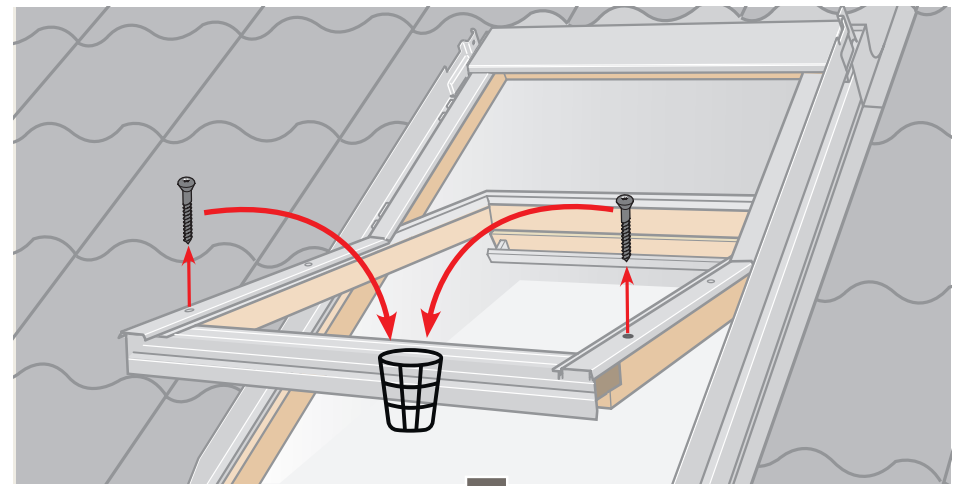
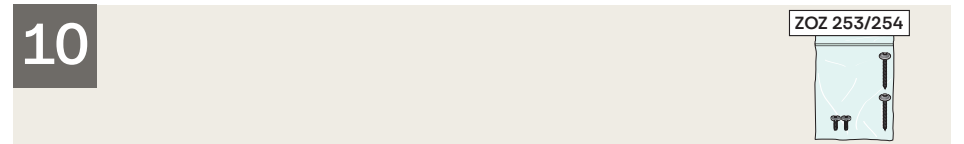
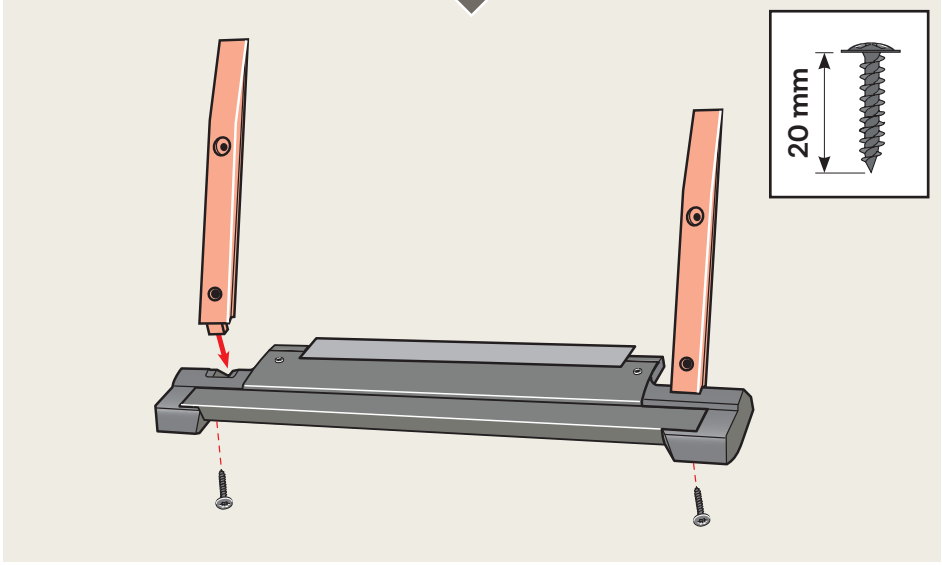
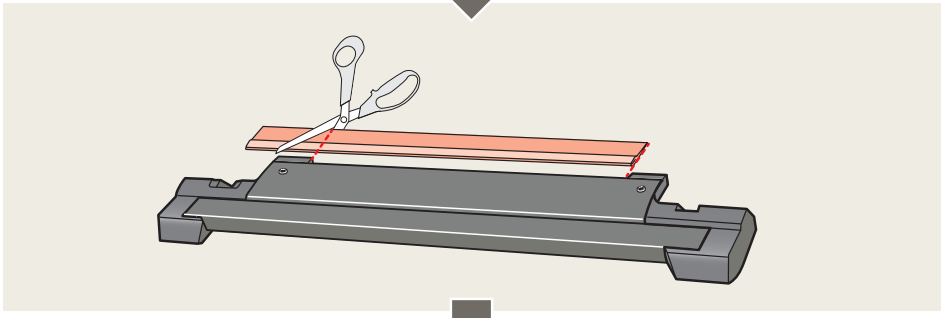
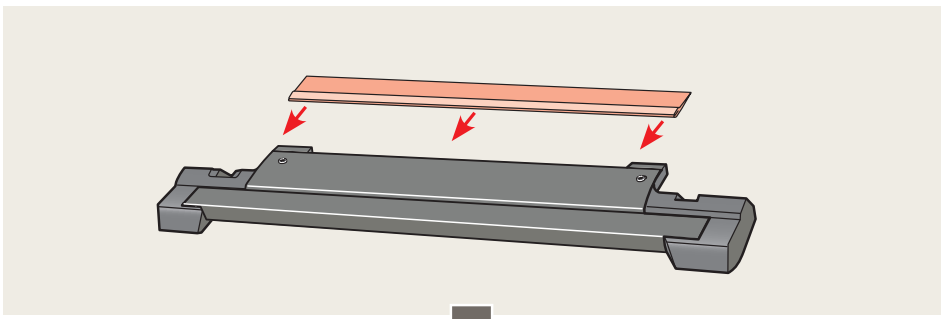
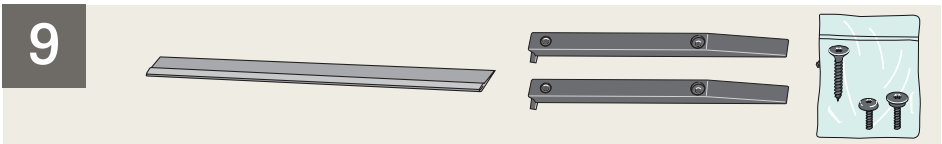
6



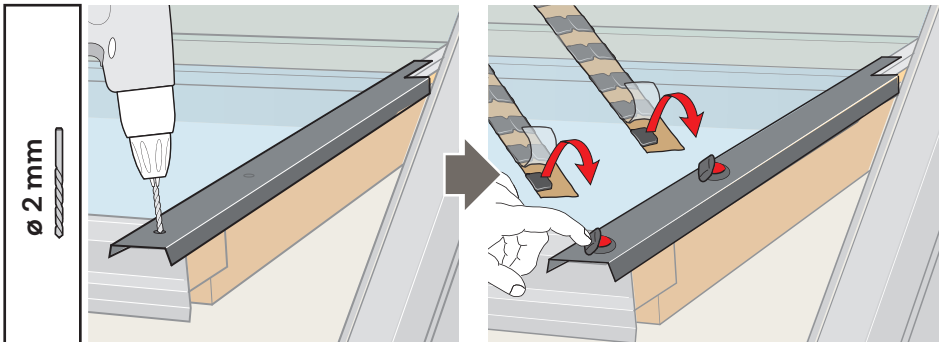
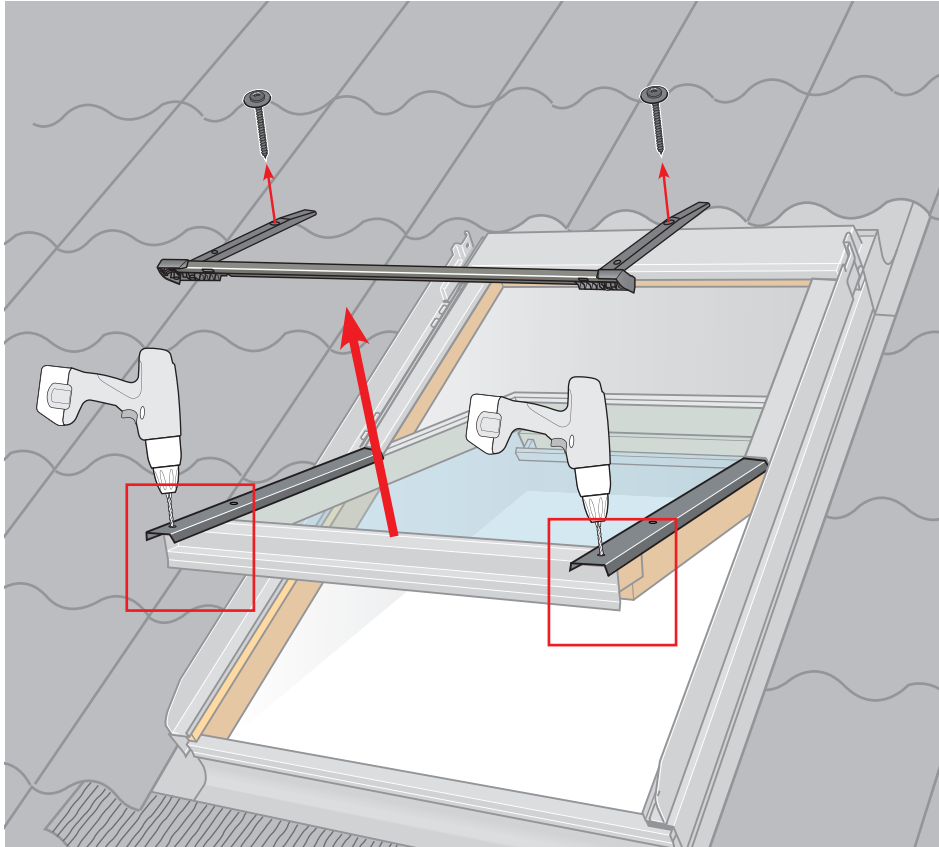
ZOZ 253/254



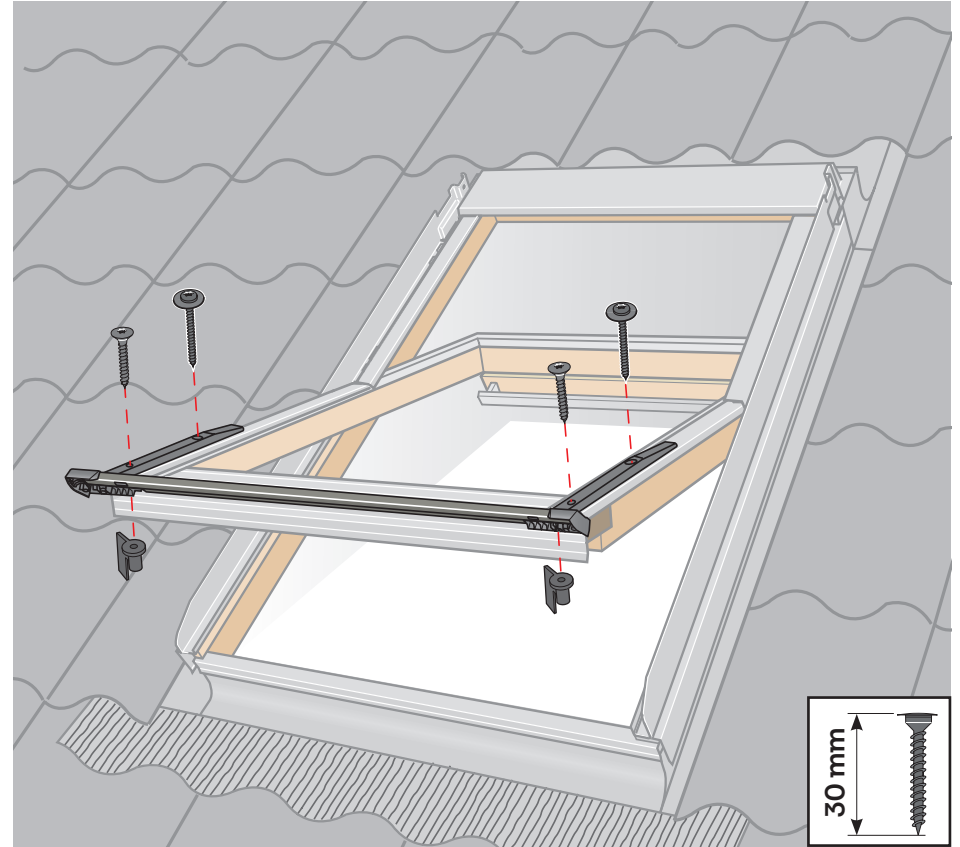
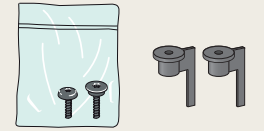




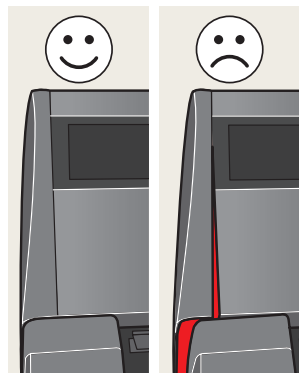
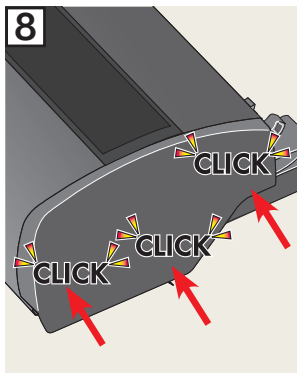
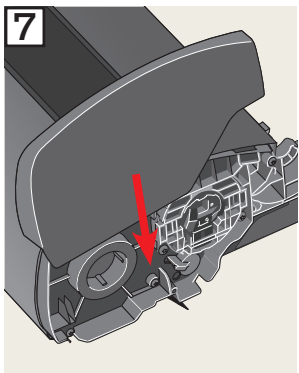
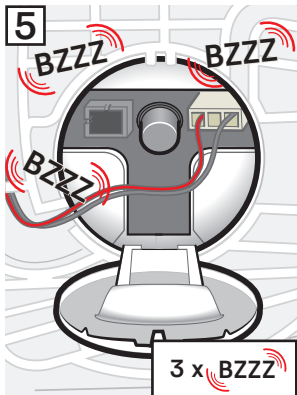
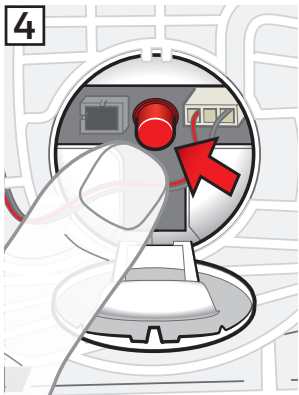
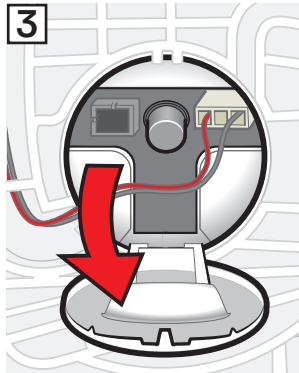
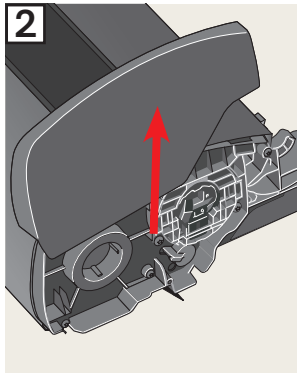
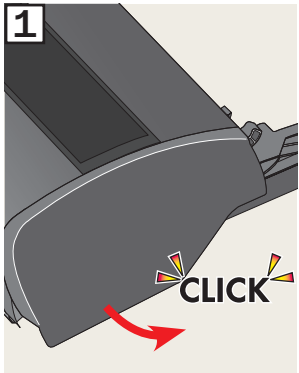
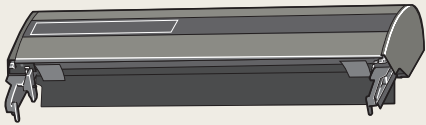
11



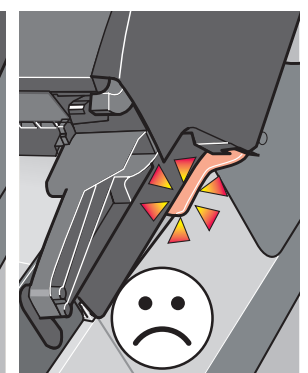
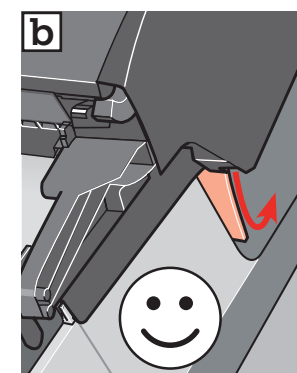
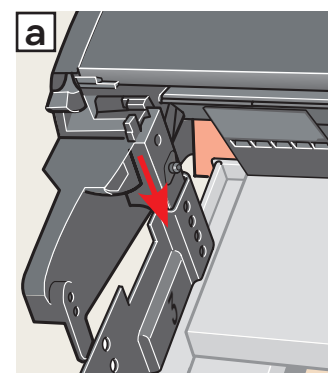
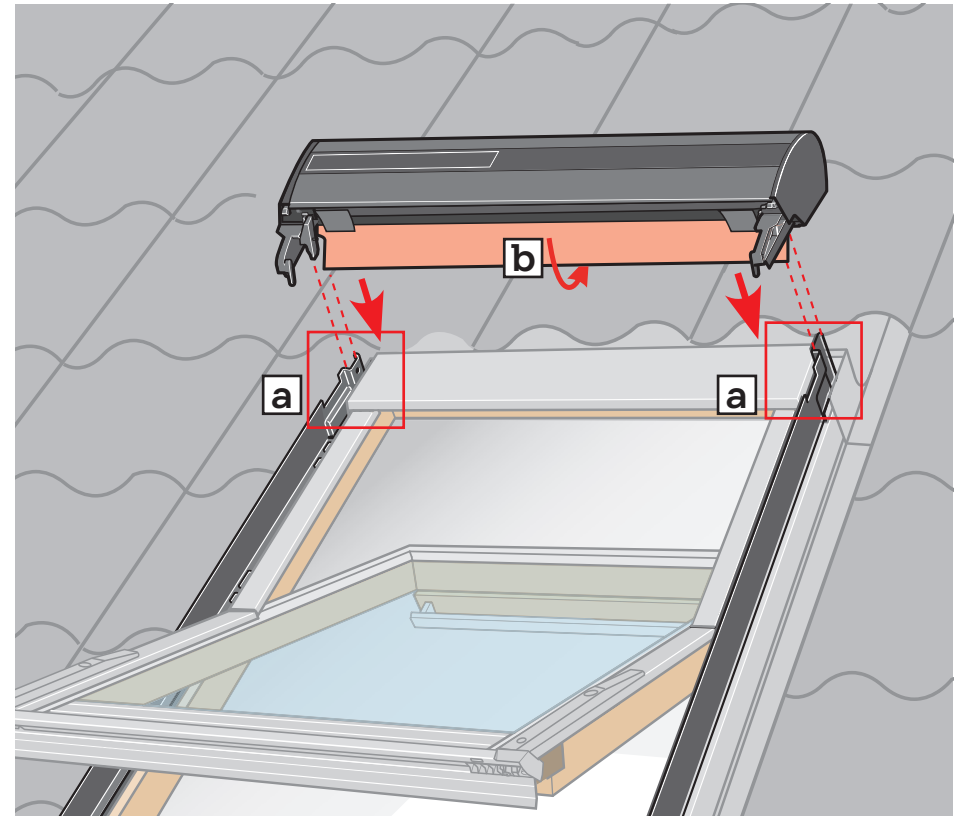
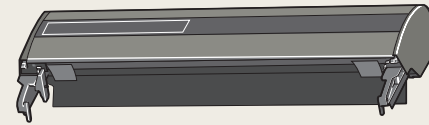
12



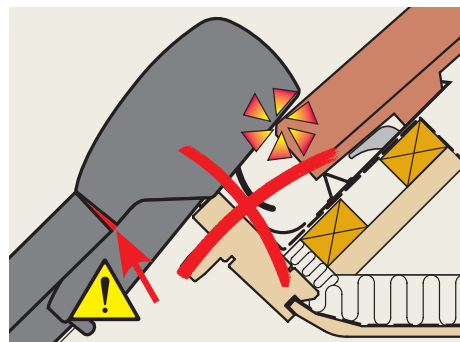
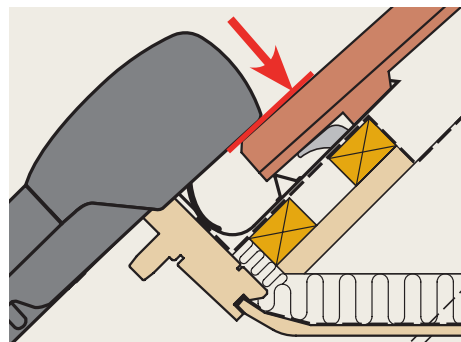
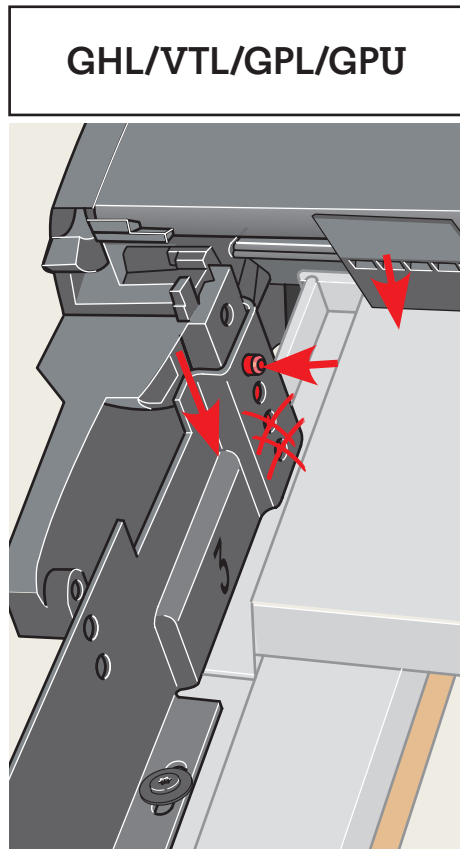
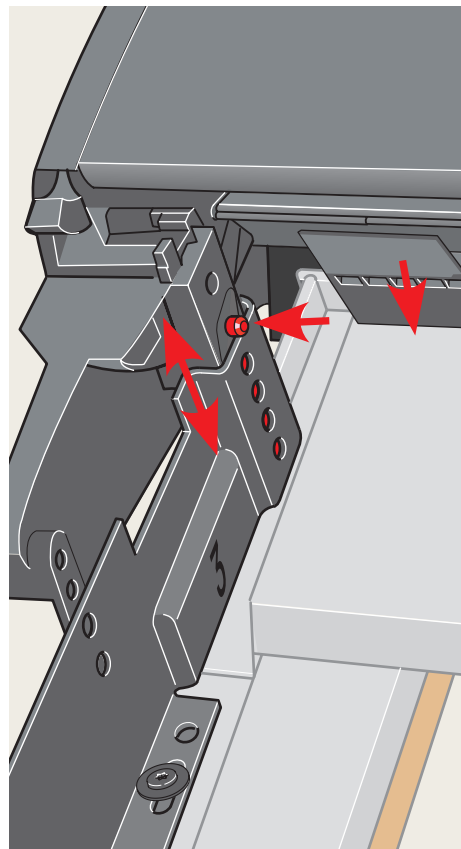
13



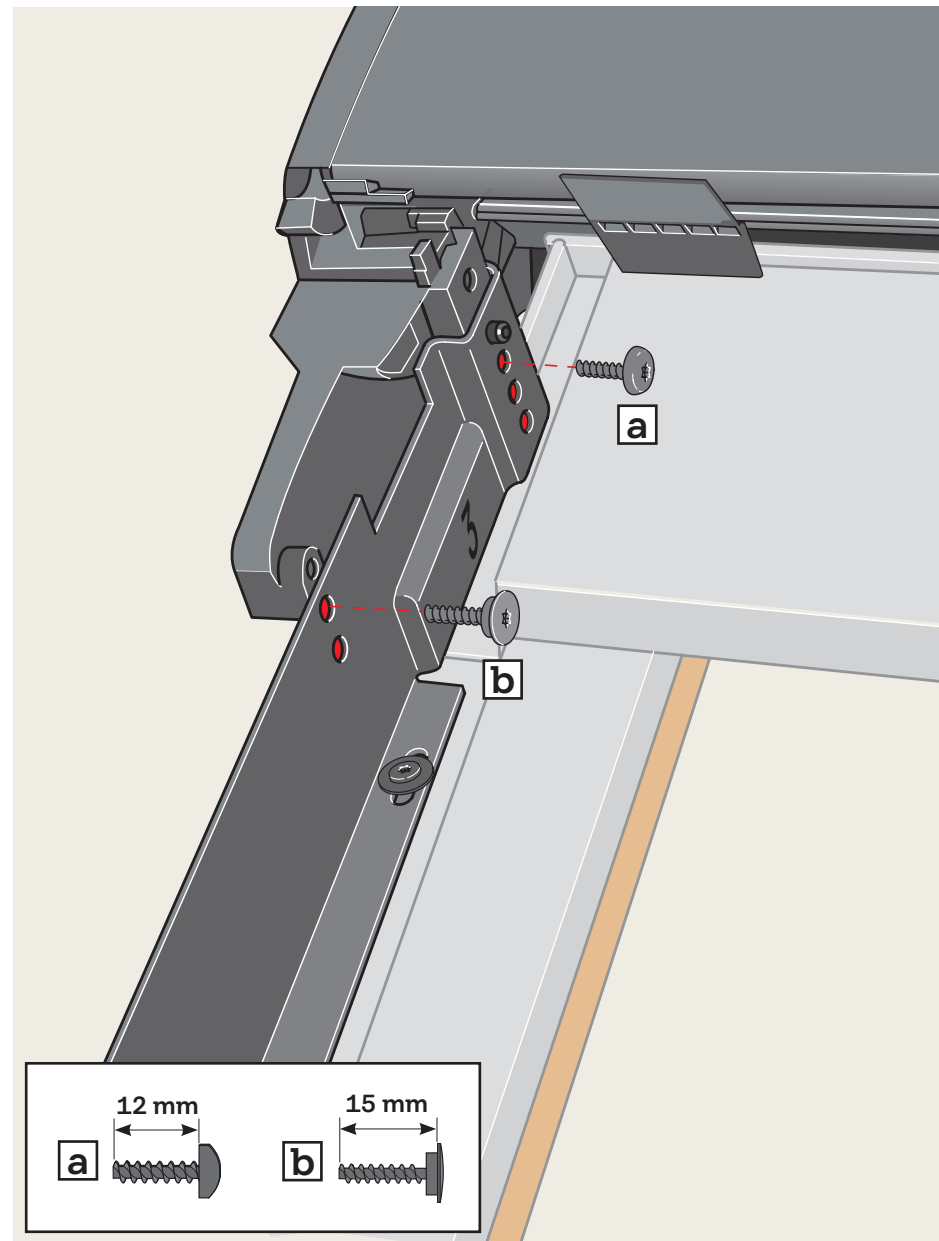
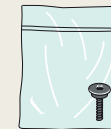
14

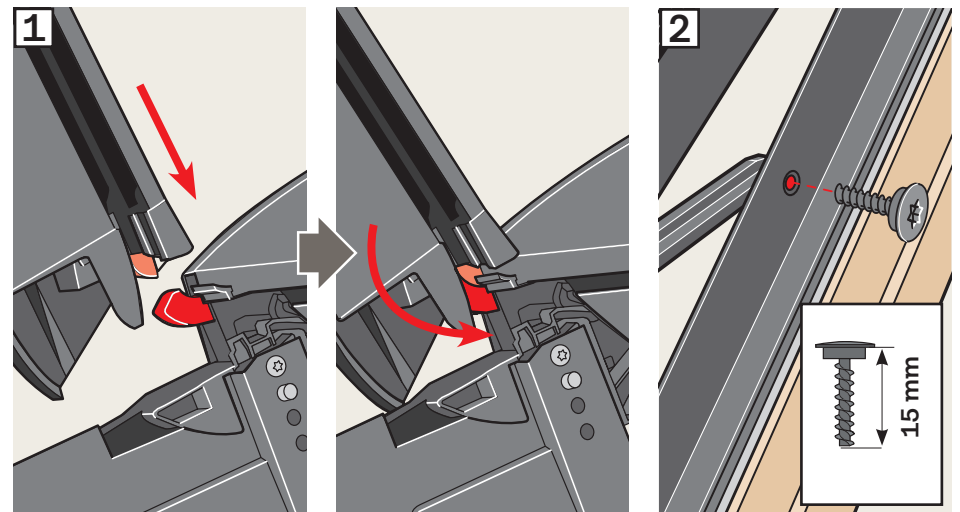
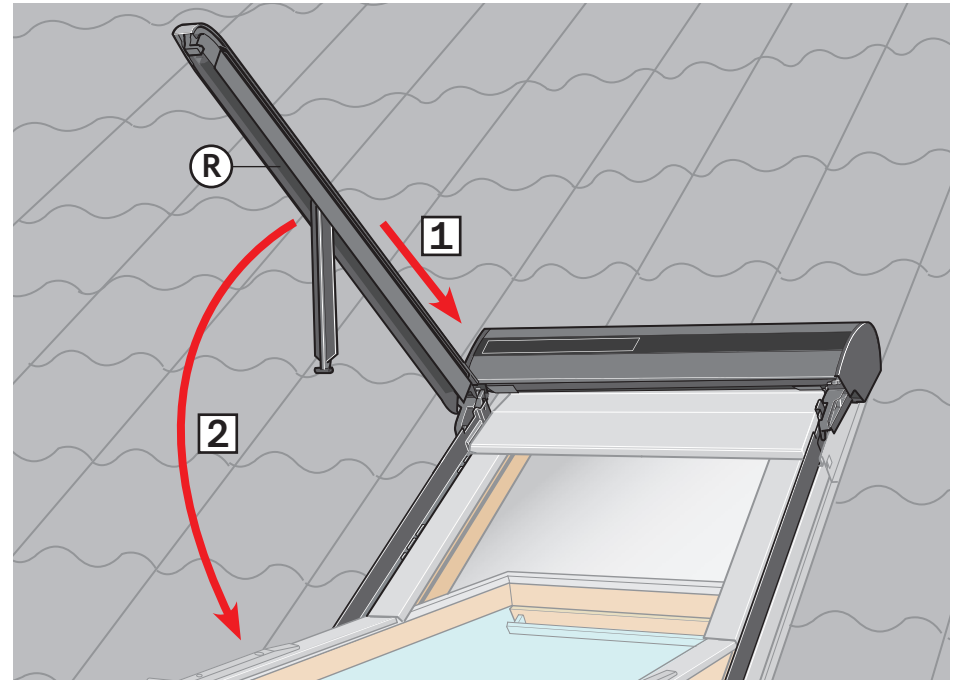
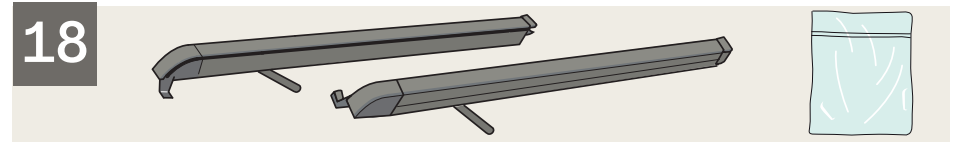
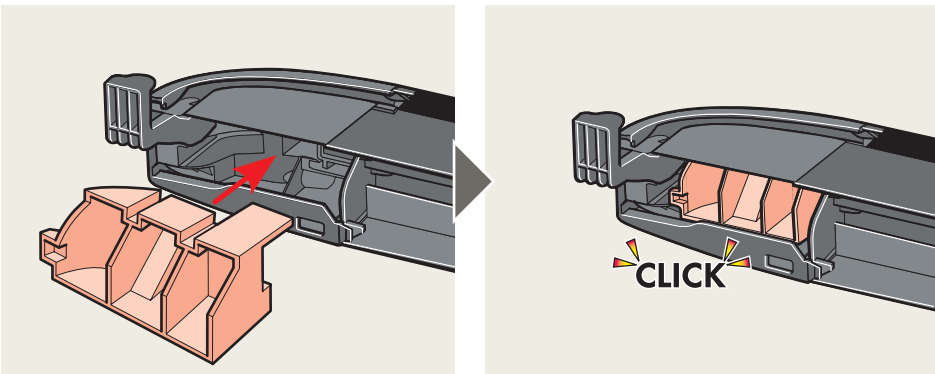
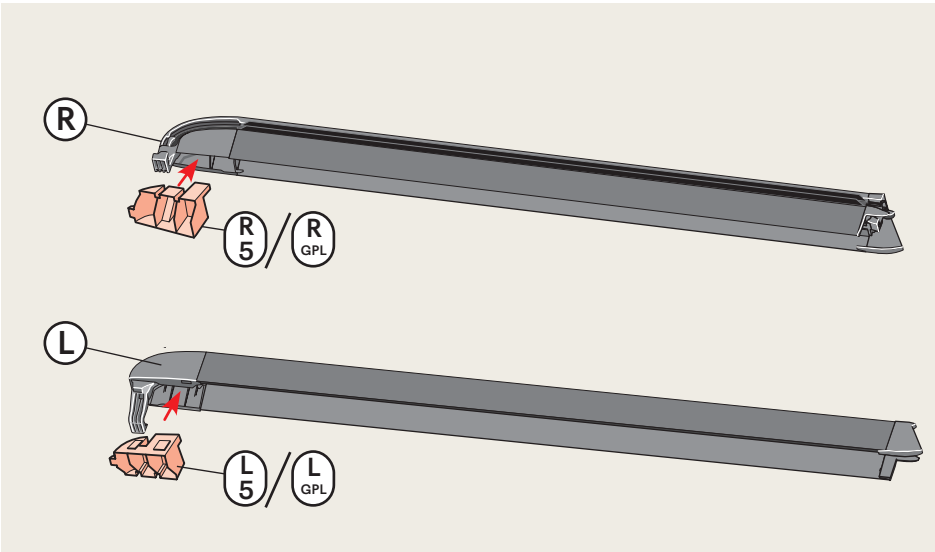
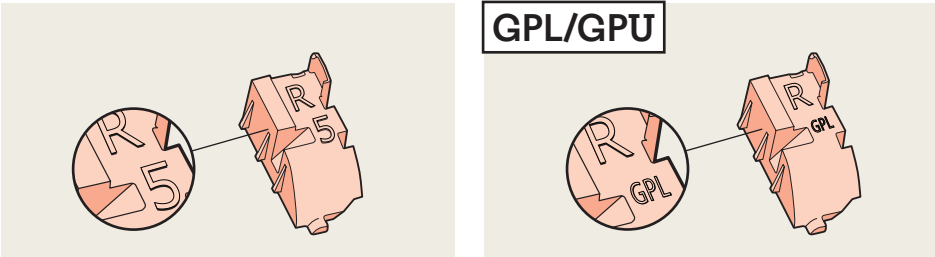
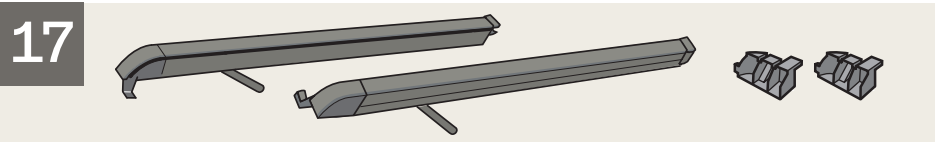


15

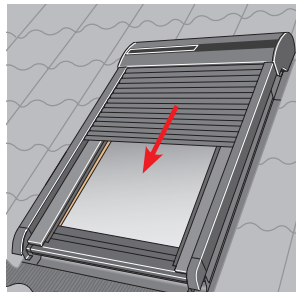
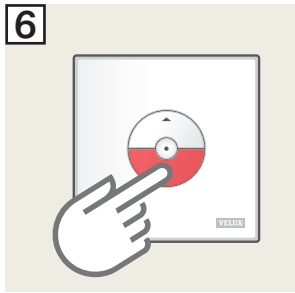
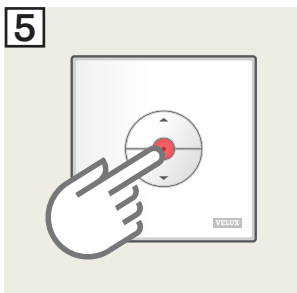
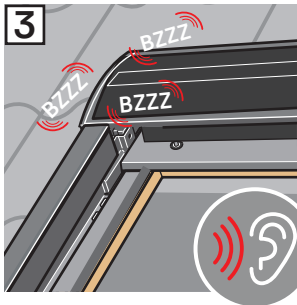
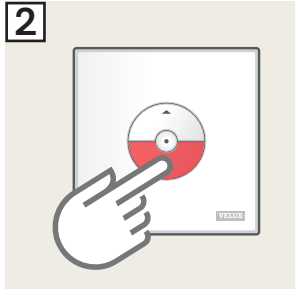
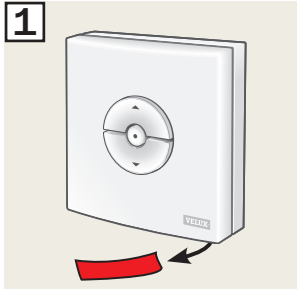
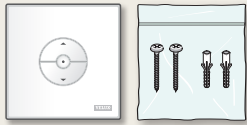


16

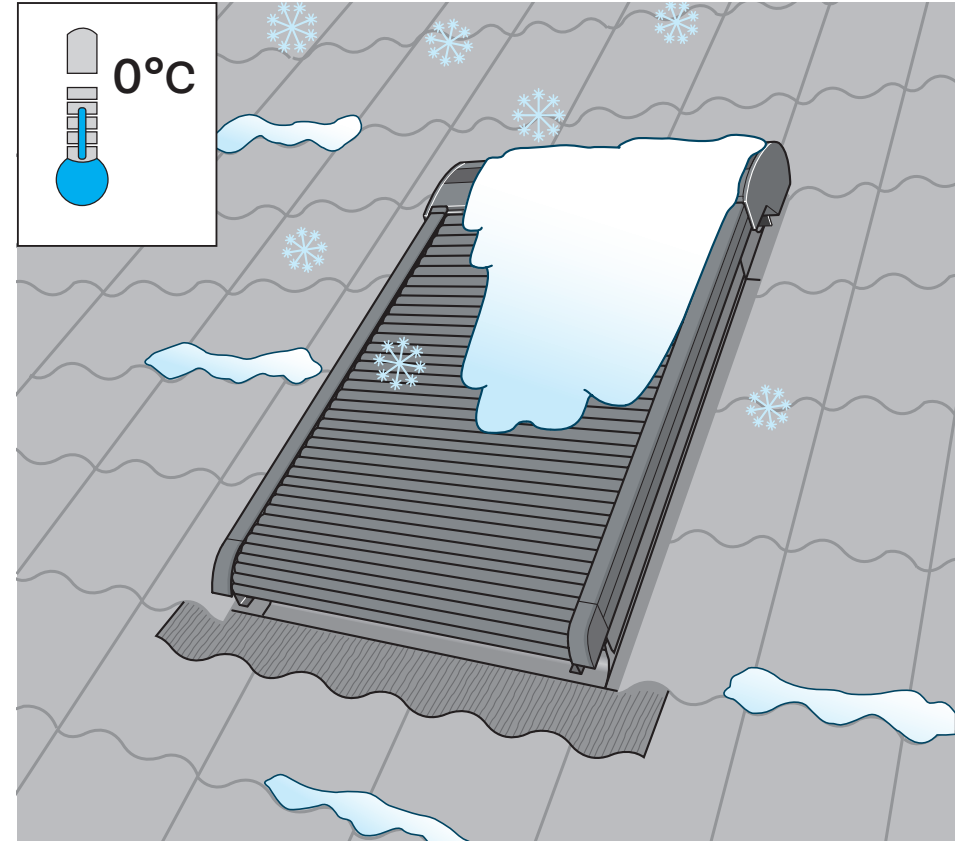




19



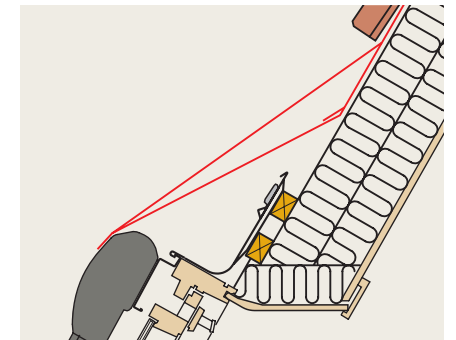
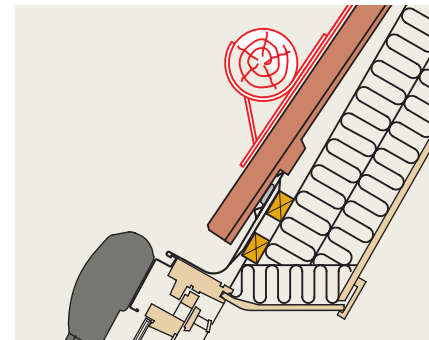
i



i



www.velux.com/electricalsupport



- AR:** VELUX Export (VELUX A/S)
+ 45 4516 7885
- AT:** VELUX Österreich GmbH
02245/32 3 50
- AU:** VELUX Australia Pty. Ltd.
1300 859 856
- BA:** VELUX Bosna i Hercegovina d.o.o.
033/626 493, 626 494
- BE:** VELUX Belgium
(010) 42.09.09
- BG:** ВЕЛУКС България ЕООД
02/955 99 30
- CA:** VELUX Canada Inc.
1 800 88-VELUX (888-3589)
- CH:** VELUX Schweiz AG
062 289 44 45
- CL:** VELUX Export (VELUX A/S)
+ 45 4516 7885
- CN:** VELUX (CHINA) CO. LTD.
0316-607 27 27
- CZ:** VELUX Česká republika, s.r.o.
531 015 511
- DE:** VELUX Deutschland GmbH
www.velux.de/kontakt
- DK:** VELUX Danmark A/S
45 16 45 16
- EE:** VELUX Eesti OÜ
621 7790
- ES:** VELUX Spain, S.A.U.
91 509 71 00
- FR:** VELUX France
0806 80 15 15
Service gratuit + prix appel
- GB:** VELUX Company Ltd.
01592 778 225
- HR:** VELUX Hrvatska d.o.o.
01/5555 444
- HU:** VELUX Magyarorszá g Kft.
(06/1) 436-0601
- IE:** VELUX Company Ltd.
01 848 8775
- IT:** VELUX Italia s.p.a.
045/6173666
- JP:** VELUX-Japan Ltd.
0570-00-8141
- KR:** VELUX Export (VELUX A/S)
+ 45 4516 7885
- LT:** VELUX Lietuva, UAB
(85) 270 91 01
- LV:** VELUX Latvia SIA
67 27 77 33
- NL:** VELUX Nederland B.V.
030 - 6 629 629
- NO:** VELUX Norge AS
22 51 06 00
- NZ:** VELUX New Zealand Ltd.
0800 650 445
- PL:** VELUX Polska Sp. z o.o.
(022) 33 77 000 / 33 77 070
- PT:** VELUX Portugal, Lda
21 880 00 60
- RO:** VELUX România S.R.L.
0268-402740
- RS:** VELUX Srbija d.o.o.
011 20 57 500
- SE:** VELUX Svenska AB
042/20 83 80
- SI:** VELUX Slovenija d.o.o.
01 724 68 68
- SK:** VELUX Slovensko, s.r.o.
(02) 33 000 555
- TR:** VELUX Çatı Pencere leri
Ticaret Limited Şirketi
0 216 302 54 10
- UA:** ТОВ "ВЕЛІОКС Україна"
(044) 2916070
- US:** VELUX America LLC
1-800-88-VELUX