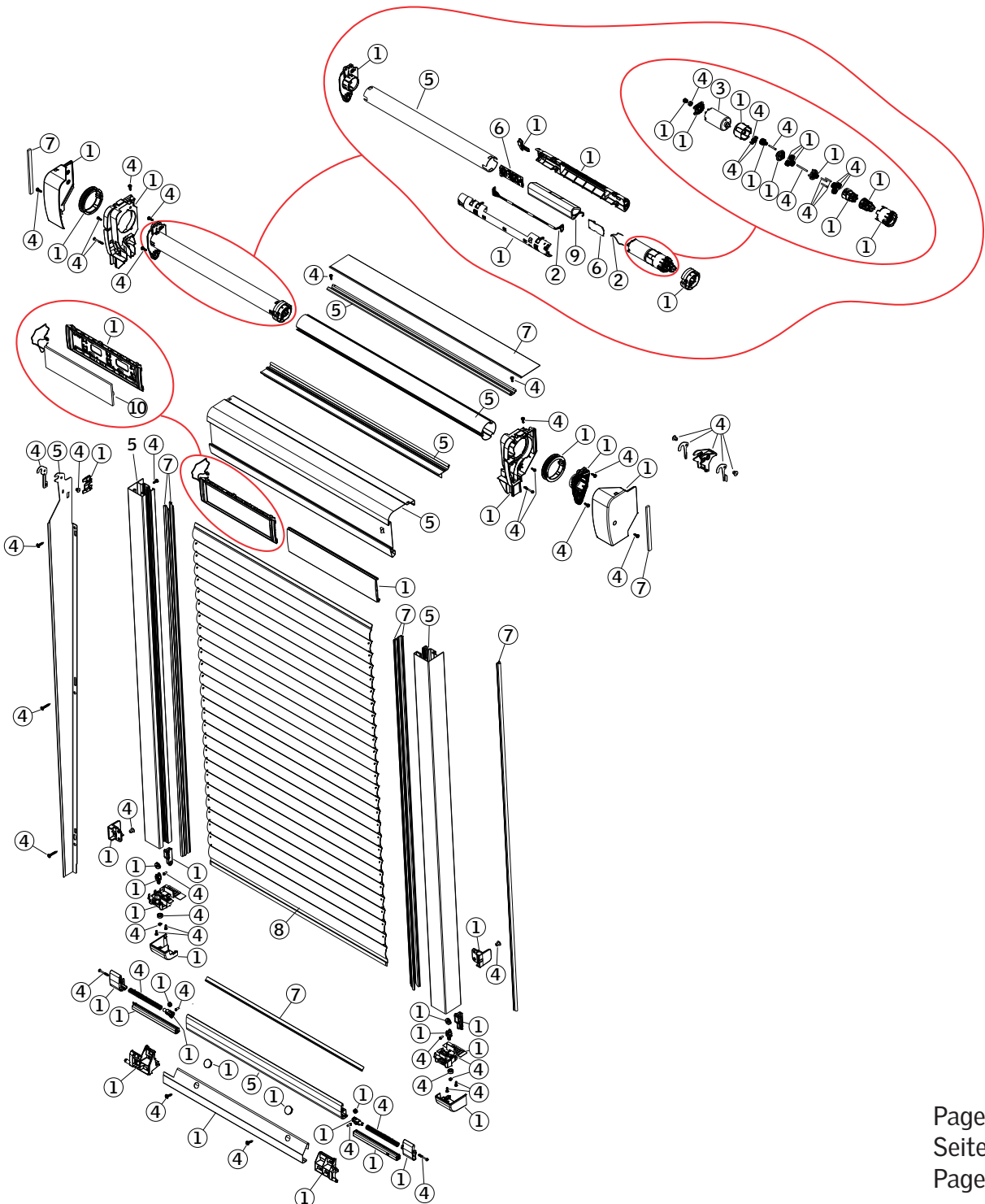
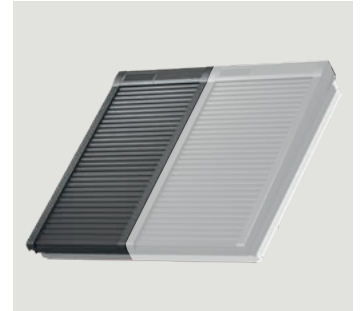




- |  |  |   |                                       |
|--|--|---|---------------------------------------|
| ① Plastic<br>Kunststoff<br>Plastique                 | ④ Steel<br>Stahl<br>Acier                                  | ⑦ Rubber<br>Gummi<br>Gomme  | ⑨ Batteries<br>Batterien<br>Batteries |
| ② Electrical cord<br>Stromkabel<br>Cordon électrique | ⑤ Aluminium<br>Aluminium<br>Aluminium                      | ⑧ Aluminium, poly-<br>urethane foam,<br>rubber<br>Aluminium, Poly-<br>urethan-Schaum, Gummi | ⑩ Glass<br>Glas<br>Verre              |
| ③ Motor<br>Motor<br>Moteur                           | ⑥ Printed circuit board<br>Leiterplatte<br>Circuit imprimé |   |                                       |





- |  |  |   |                                       |
|--|--|---|---------------------------------------|
| ① Plastic<br>Kunststoff<br>Plastique                 | ④ Steel<br>Stahl<br>Acier                                  | ⑦ Rubber<br>Gummi<br>Gomme  | ⑨ Batteries<br>Batterien<br>Batteries |
| ② Electrical cord<br>Stromkabel<br>Cordon électrique | ⑤ Aluminium<br>Aluminium<br>Aluminium                      | ⑧ Aluminium, poly-<br>urethane foam,<br>rubber<br>Aluminium, Poly-<br>urethan-Schaum, Gummi | ⑩ Glass<br>Glas<br>Verre              |
| ③ Motor<br>Motor<br>Moteur                           | ⑥ Printed circuit board<br>Leiterplatte<br>Circuit imprimé | Aluminium, mousse de<br>polyuréthane, gomme   |                                       |

