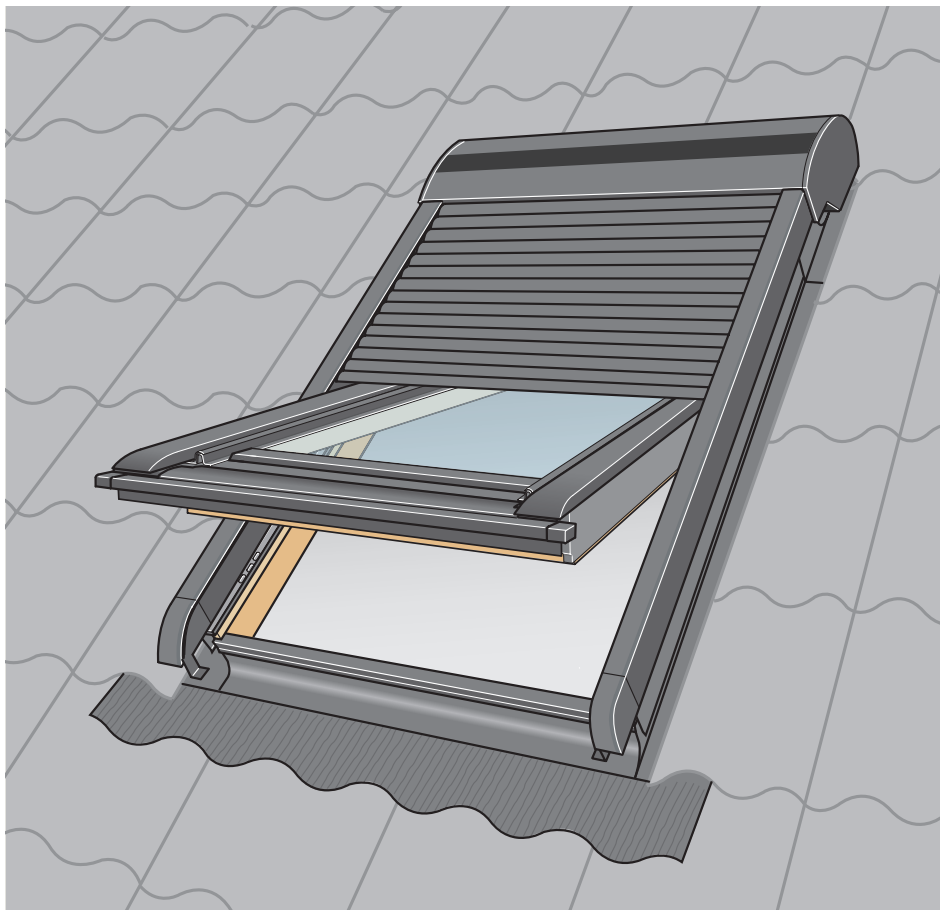
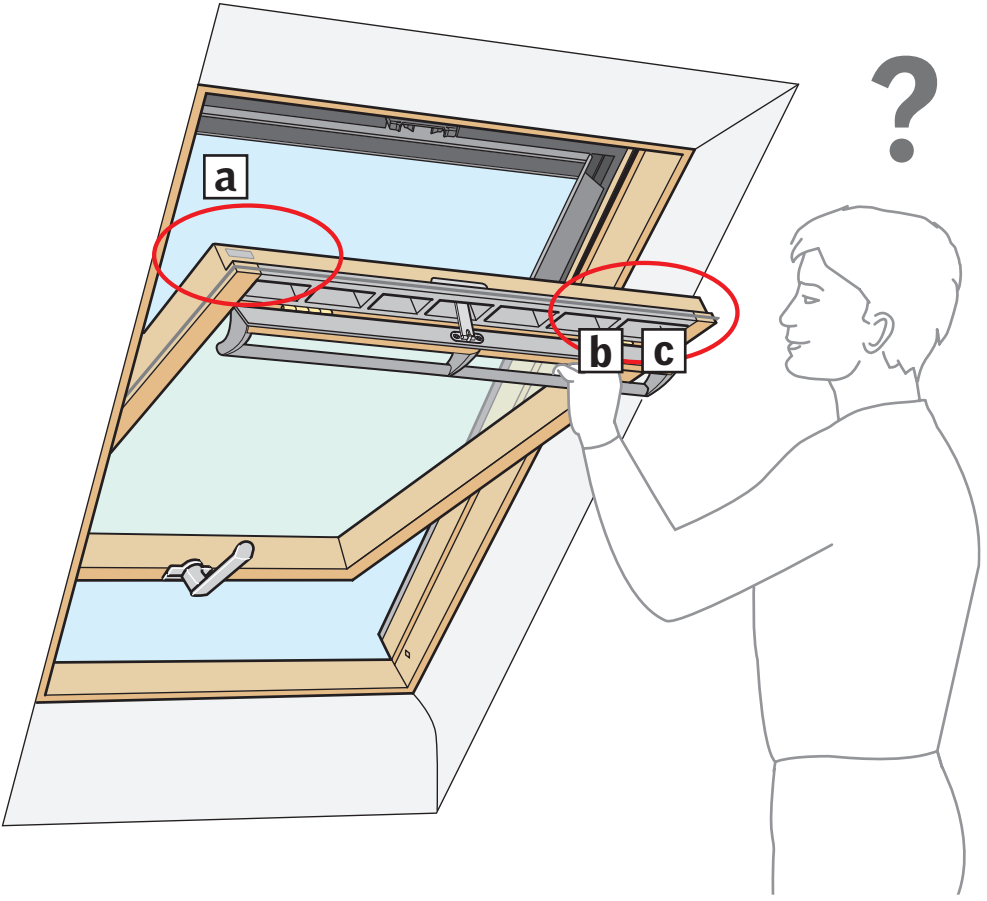


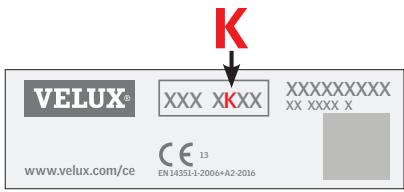
VELUX®

VELUX INTEGRA® SML





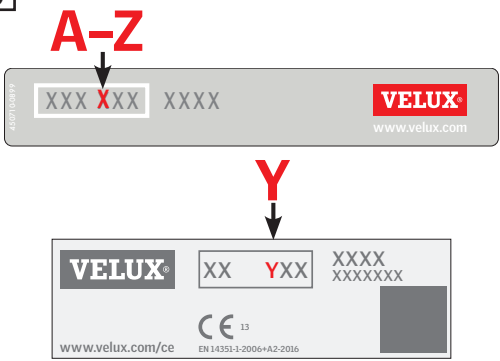
a



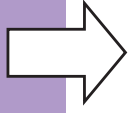
Pages 4-19



b



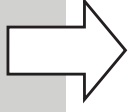
Pages 21-35



c

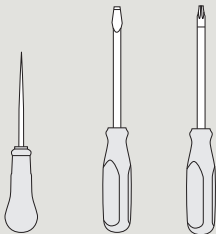
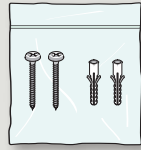
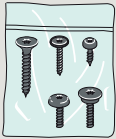
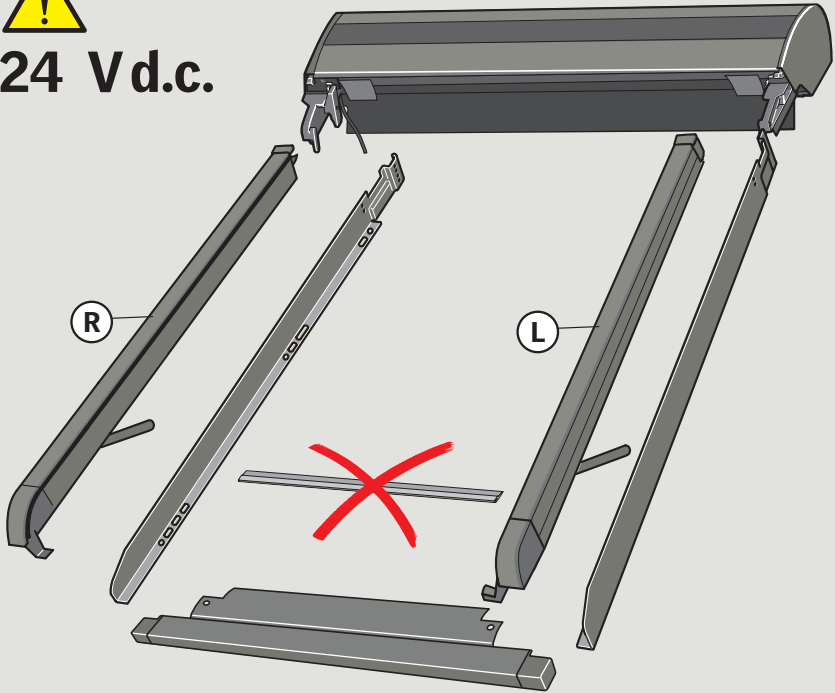


Pages 36-61

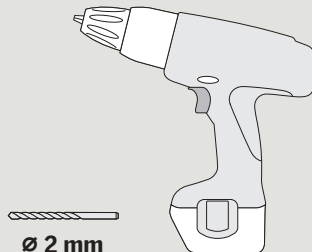




24 Vd.c.

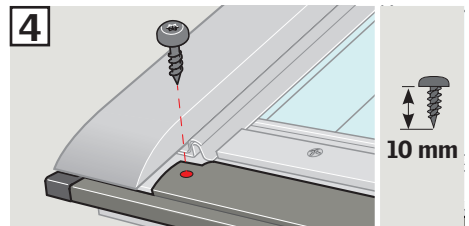
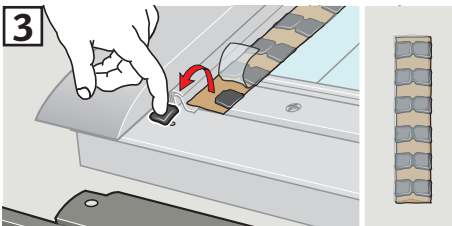
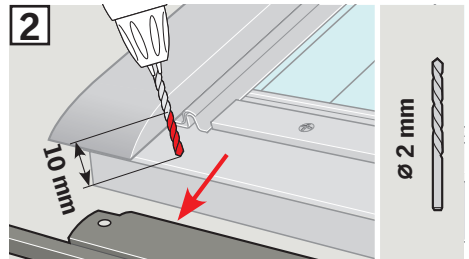
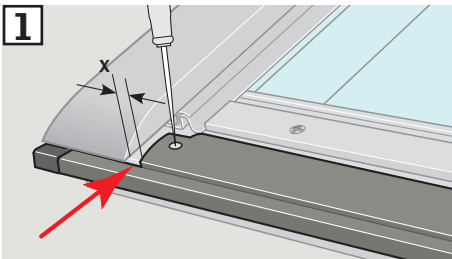
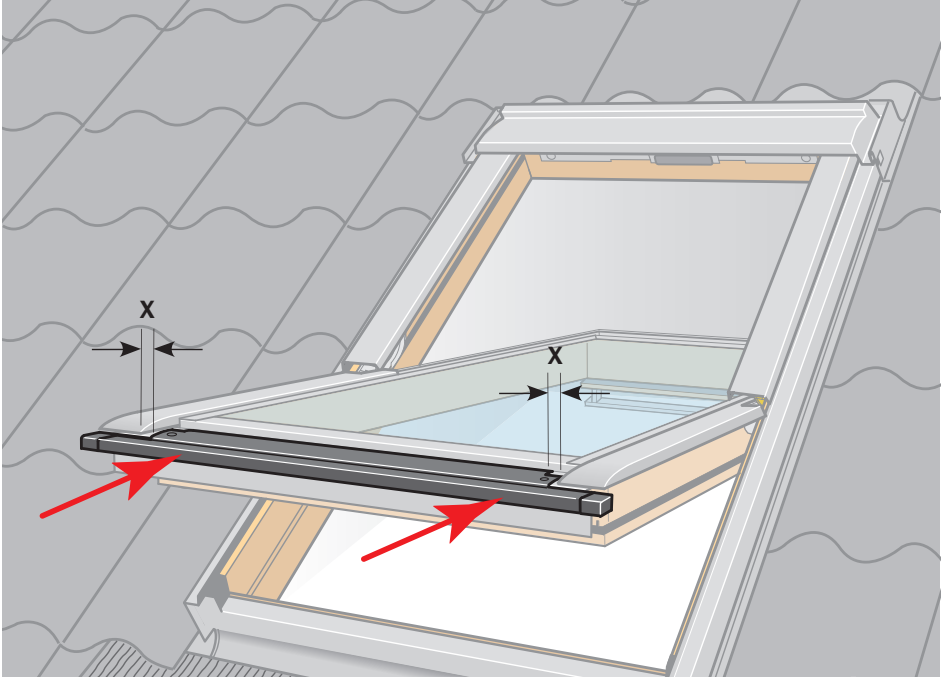
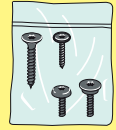
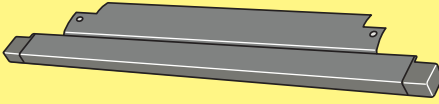


Torx 20

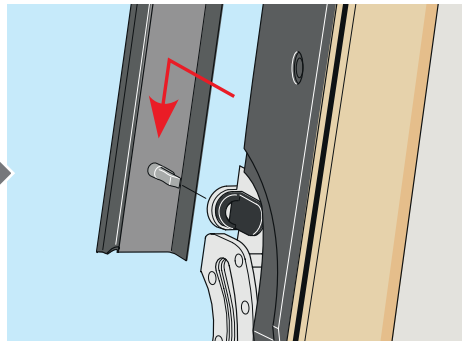
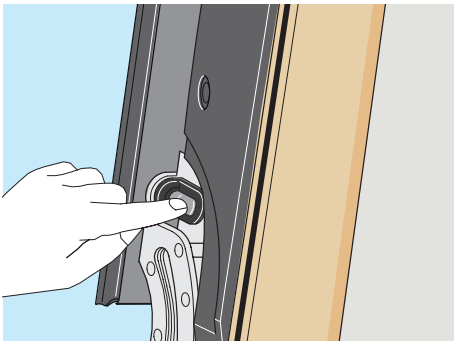
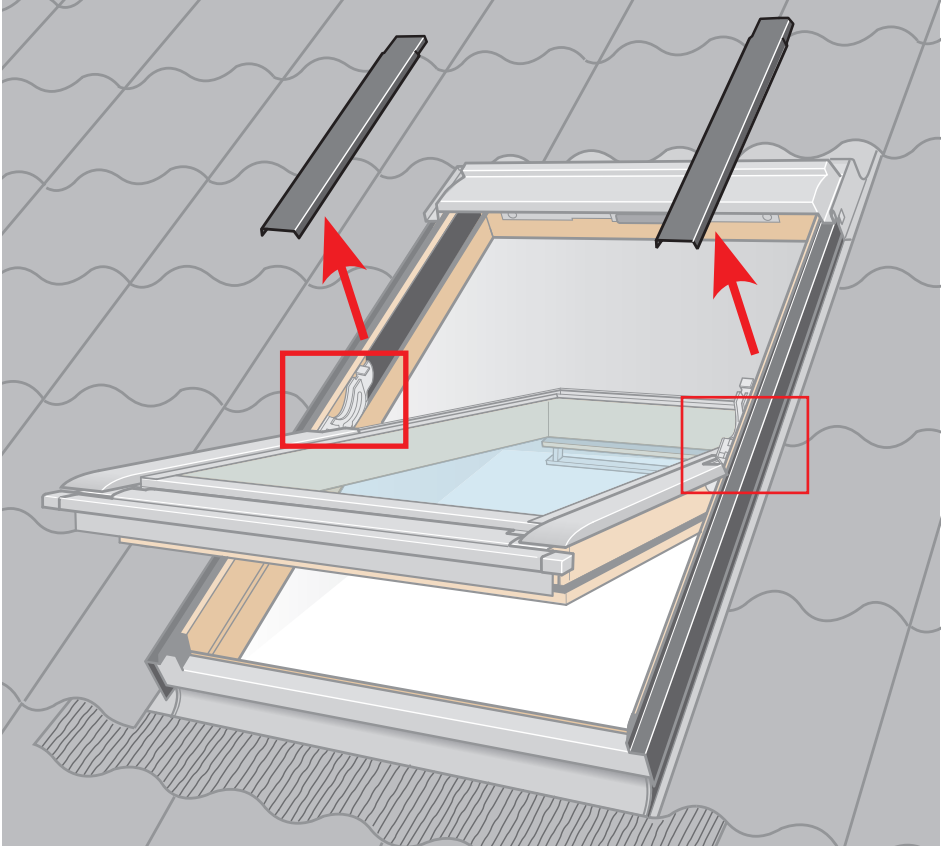


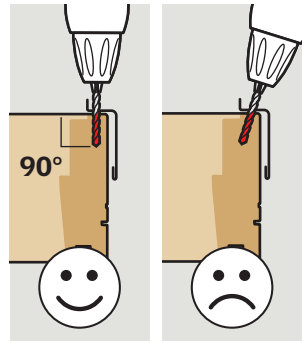
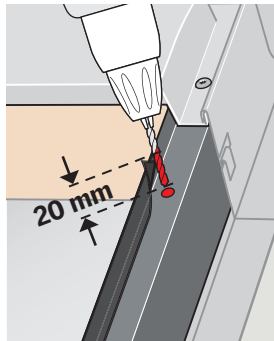
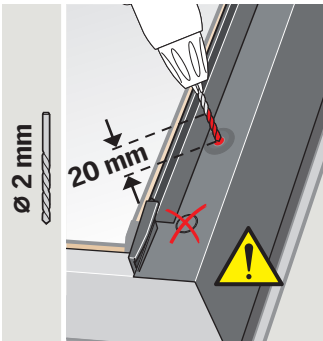
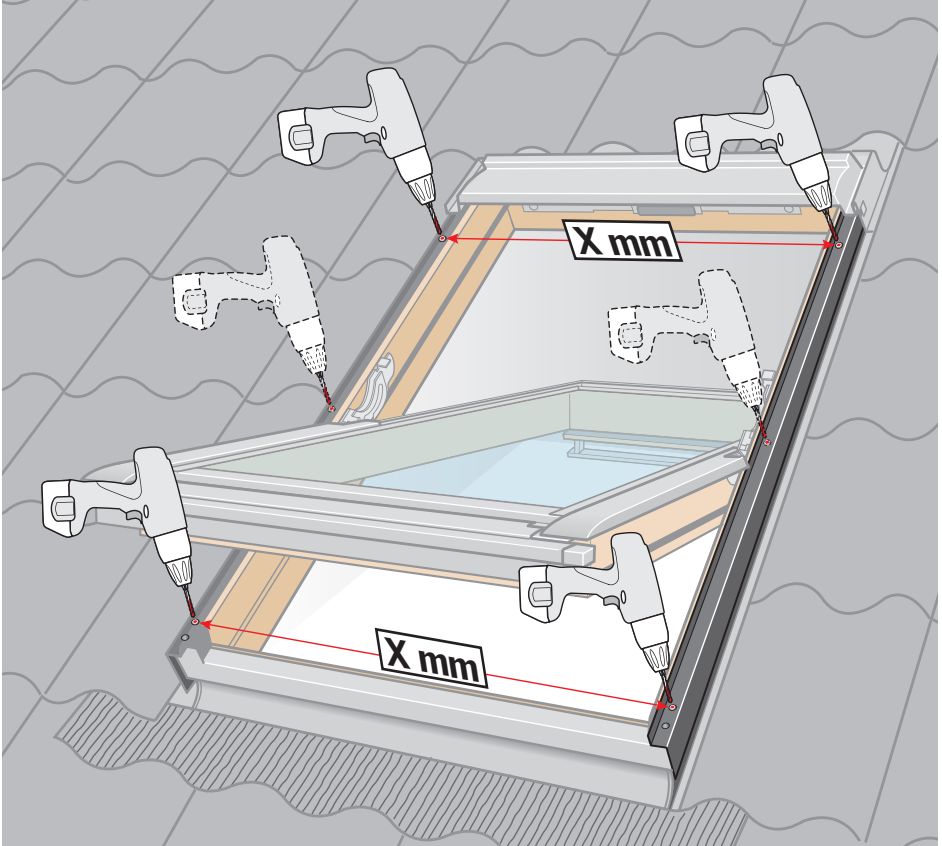
Ø 2 mm

1

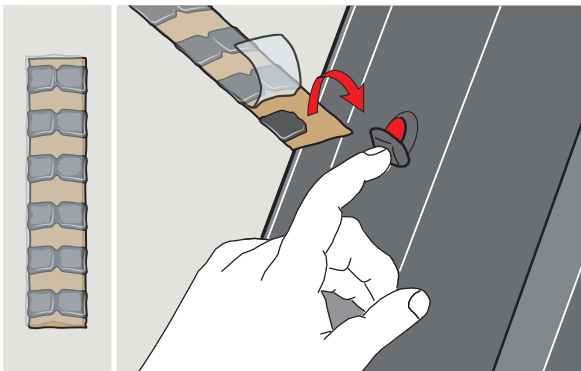
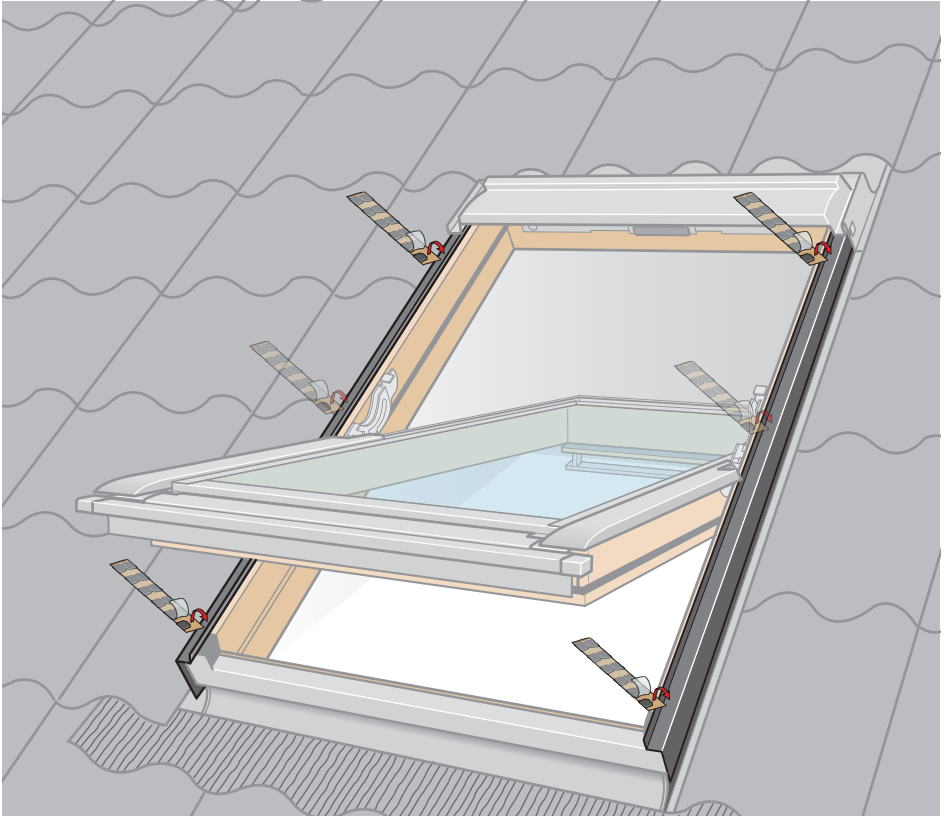


2

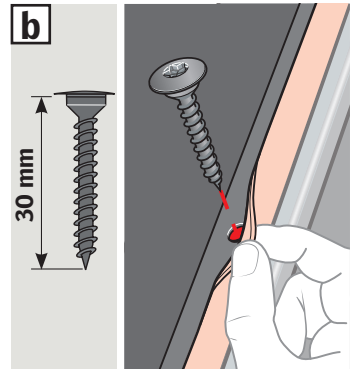
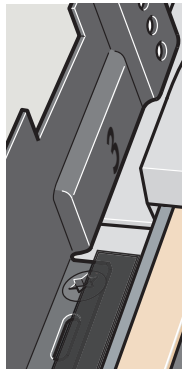
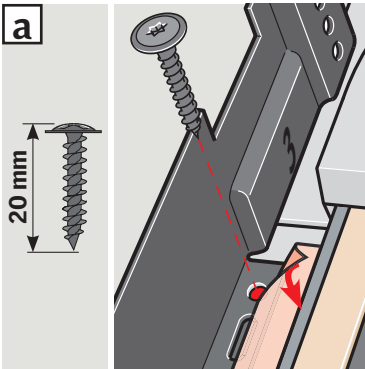
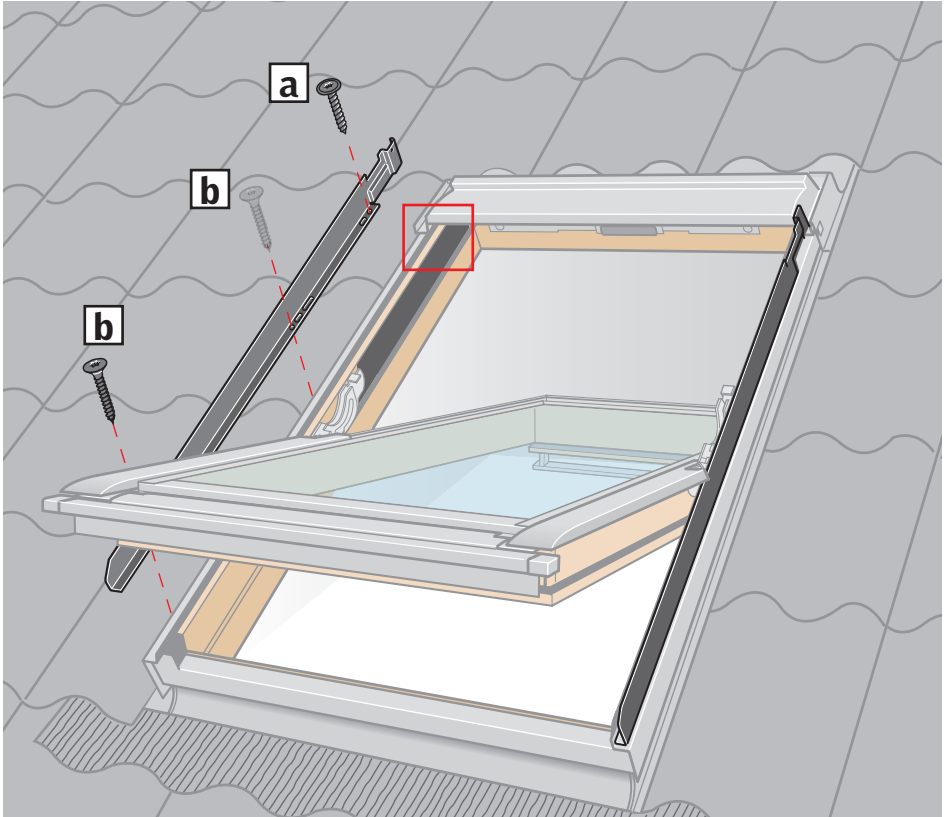
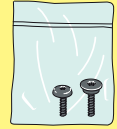
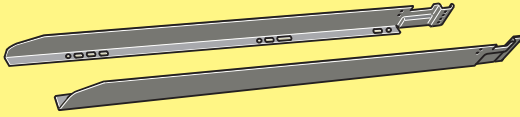


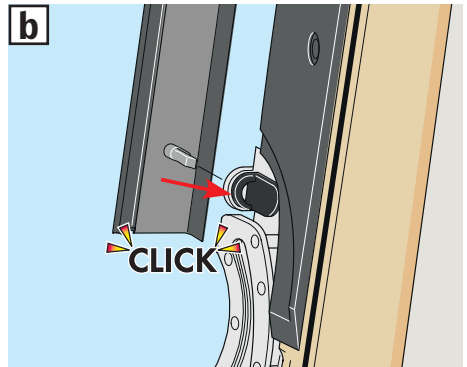
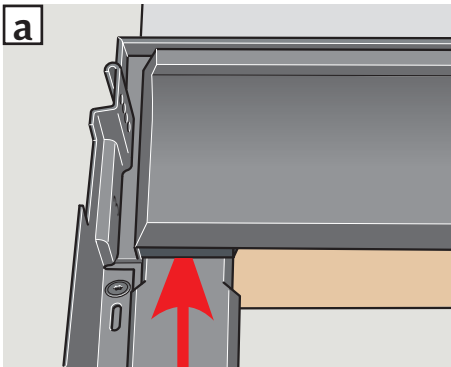
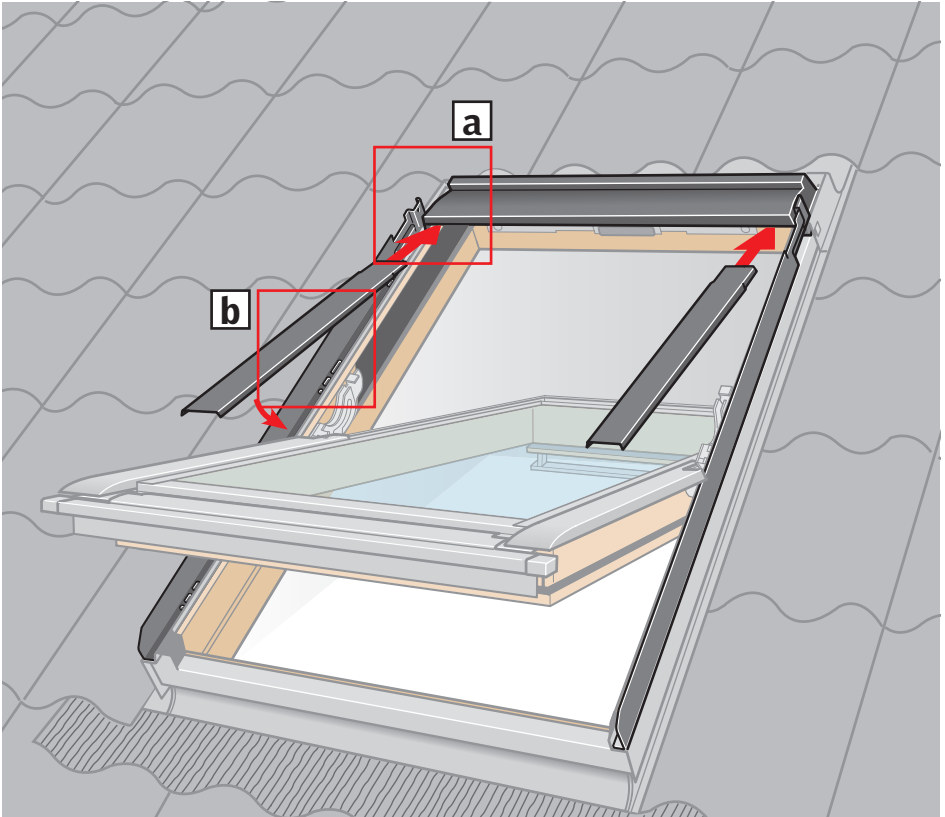


4

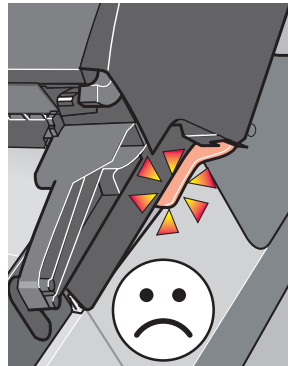
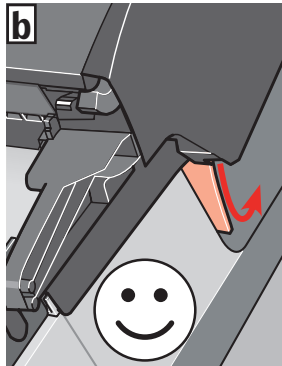
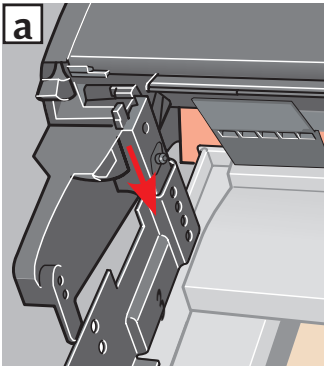
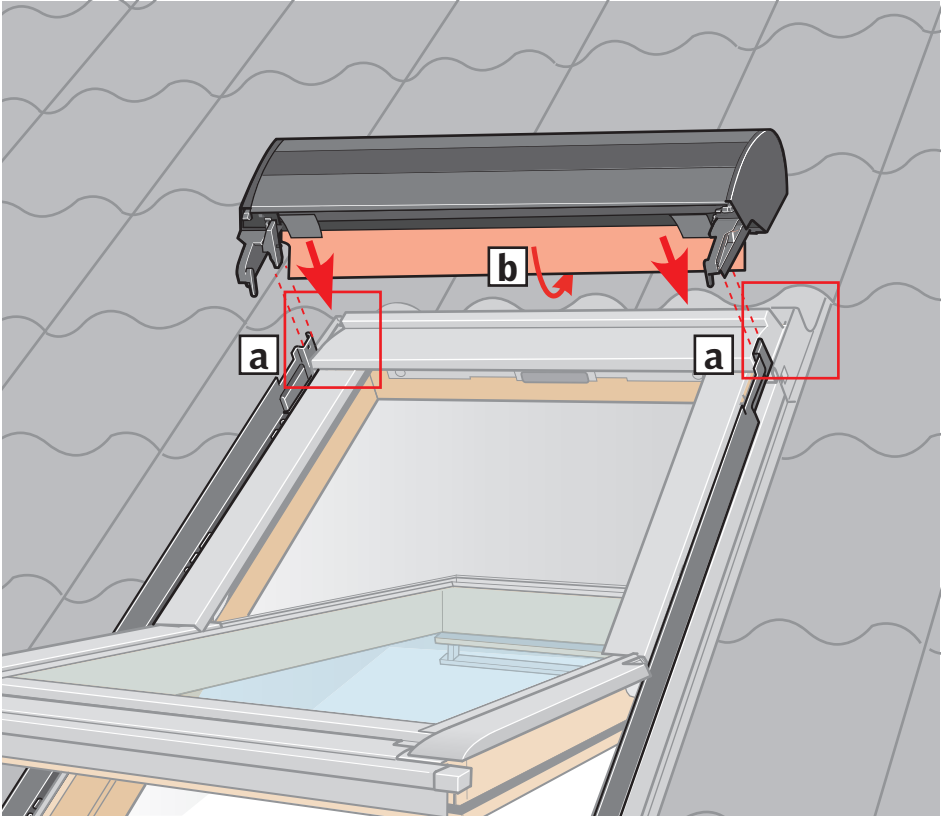
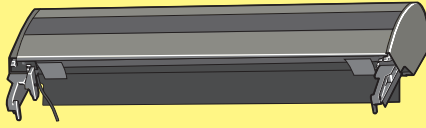


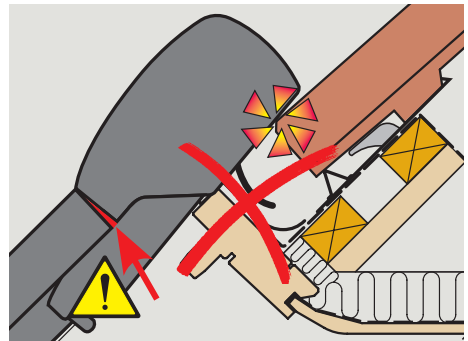
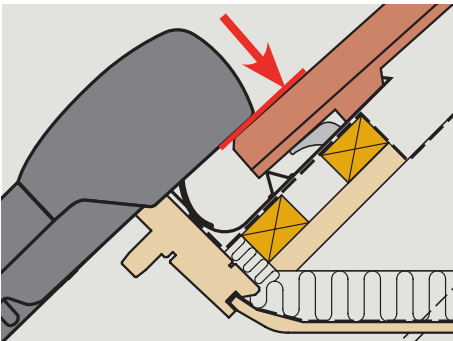
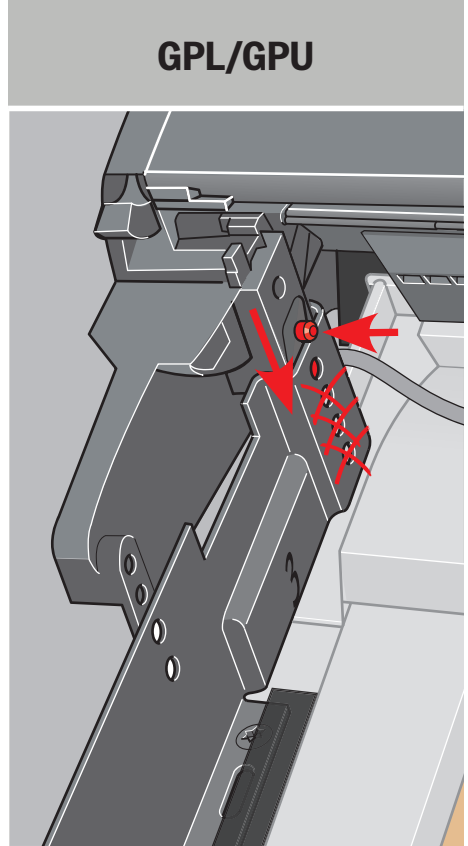
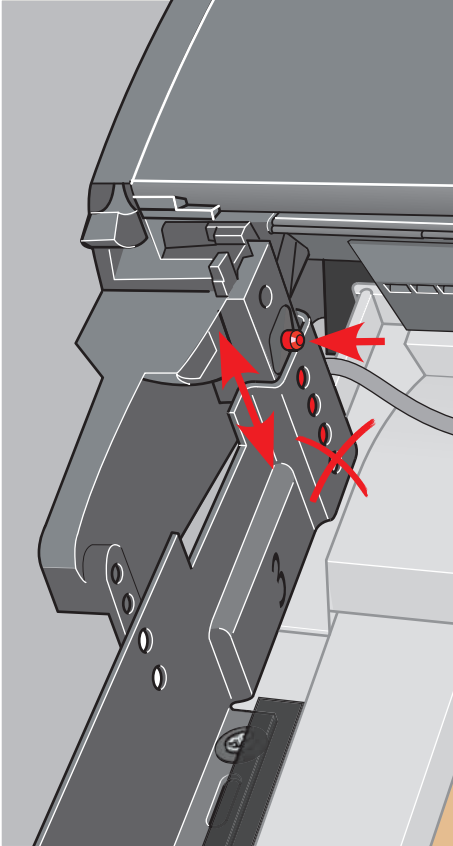
5

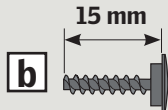
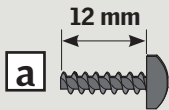
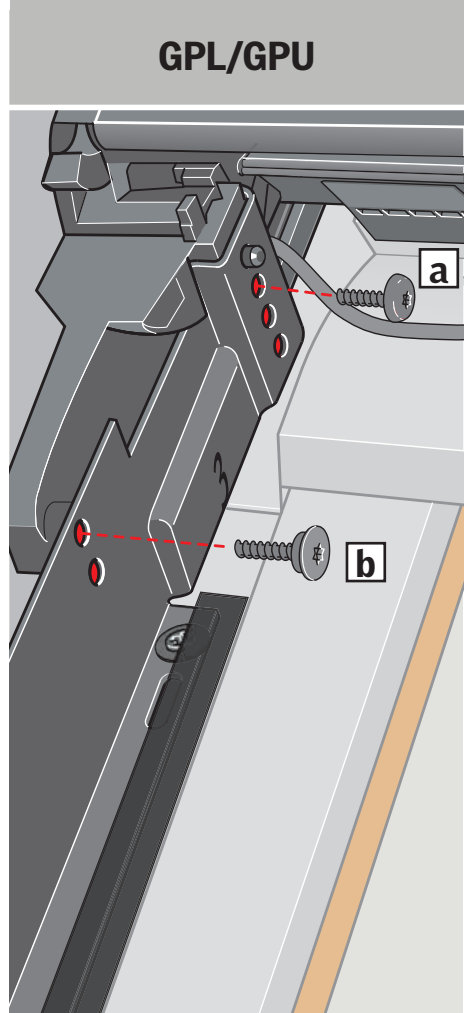
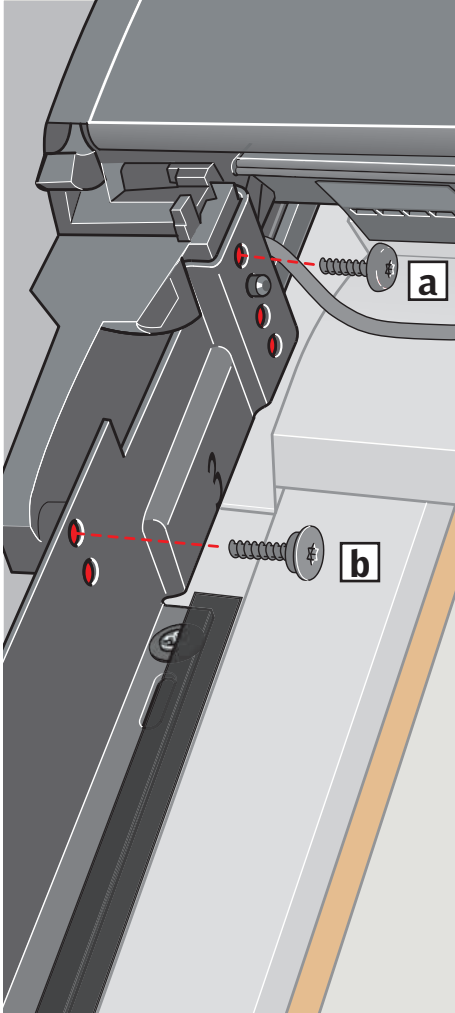
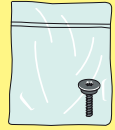




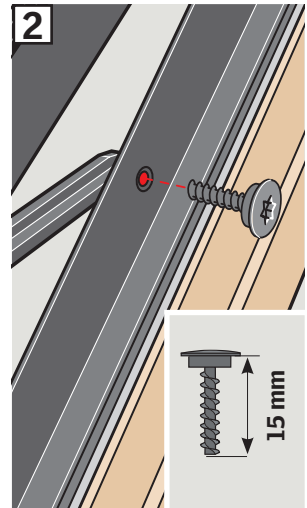
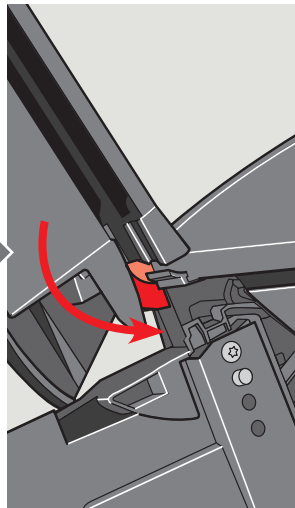
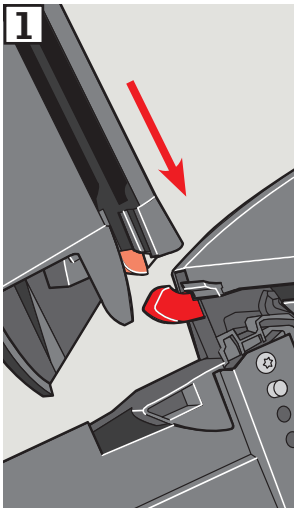
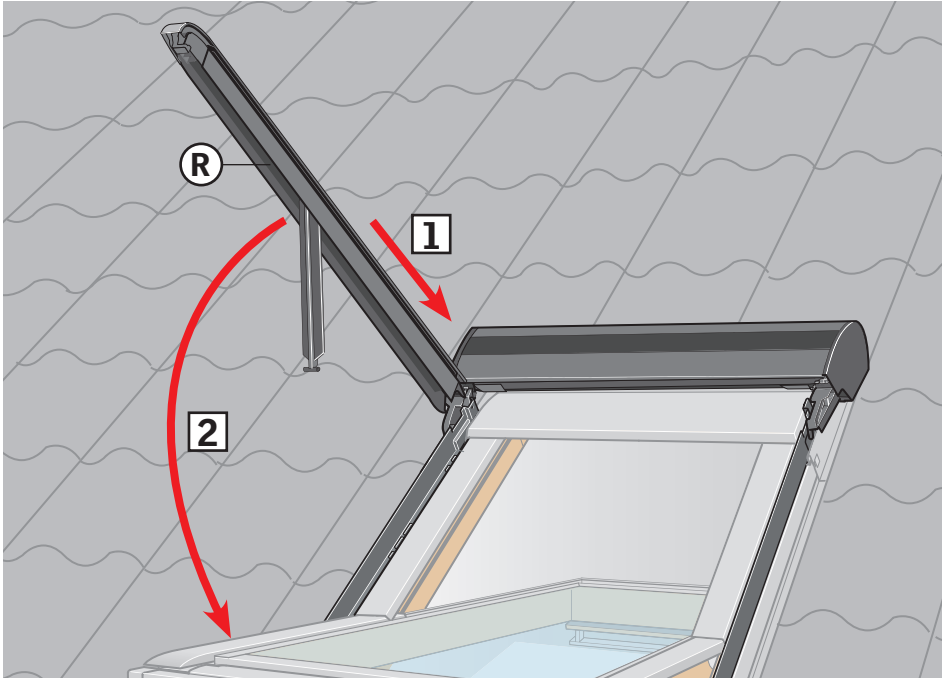
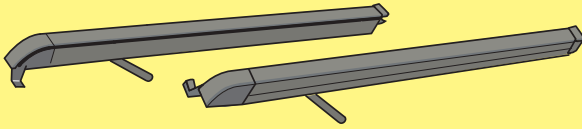
7







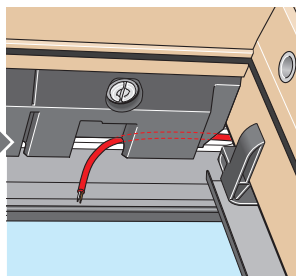
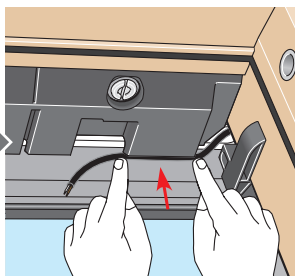
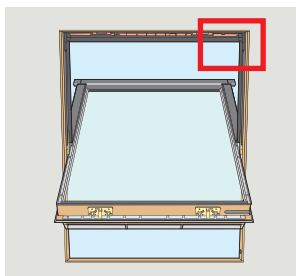
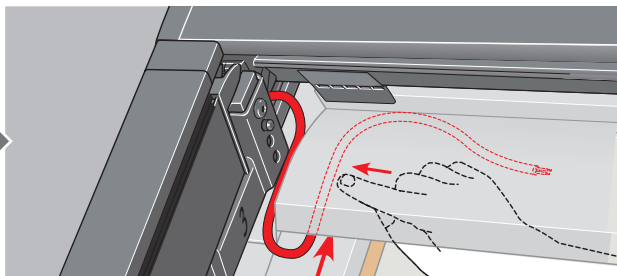
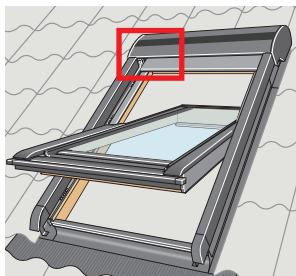
10



11a

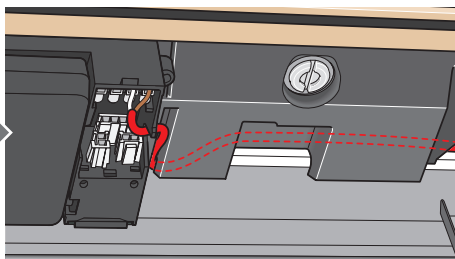
VELUX®	XXX XXXX	XXXXXXXXXX XX XXXX X
www.velux.com/ce	CE 13	
	EN 14191-1:2006+A2:2016	

GGL/GGU

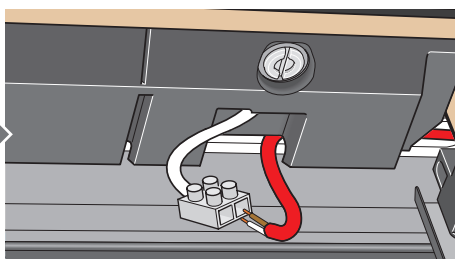


VELUX INTEGRA®

VELUX INTEGRA®	GGL MK08	XXXXXXXXXX XX XXXX X
www.velux.com/ce	CE 13	
	EN 14191-1:2006+A2:2016	



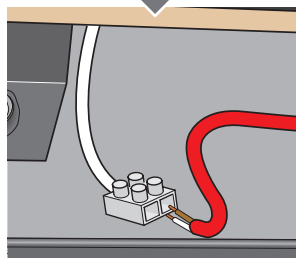
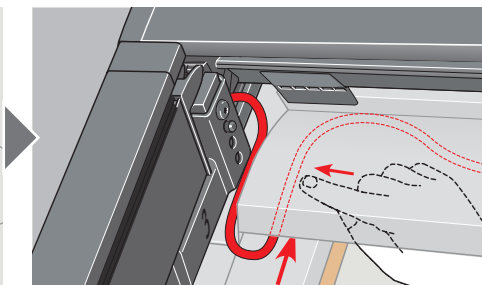
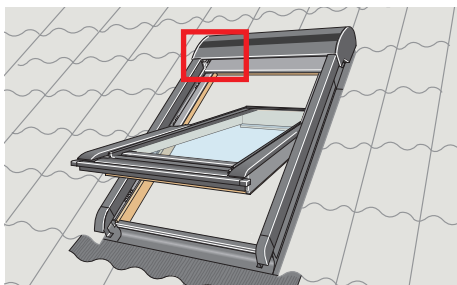
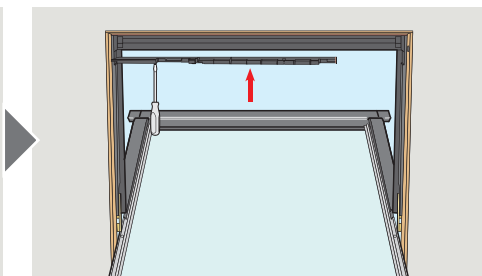
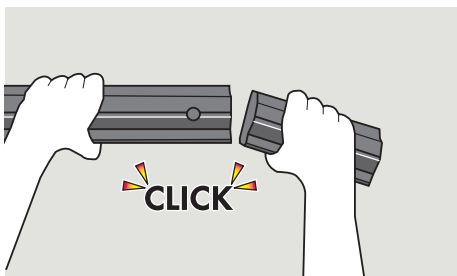
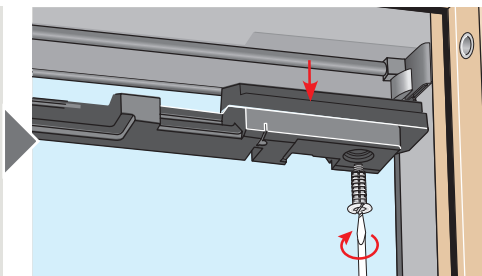
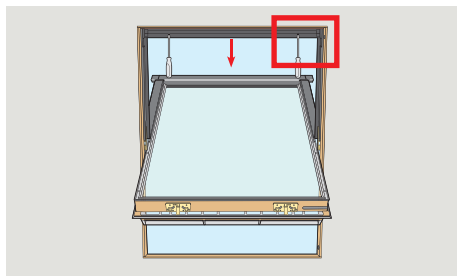
VELUX	GGL MK08	XXXXXXXXXX XX XXXX X
www.velux.com/ce	CE 13	
	EN 14191-1:2006+A2:2016	



11b

VELUX XXX XXXX XXXXXXXXX
XX XXXX X
CE 13
www.velux.com/ce EN 14351-1:2006+A2:2016

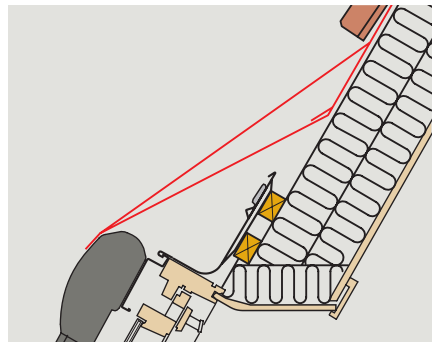
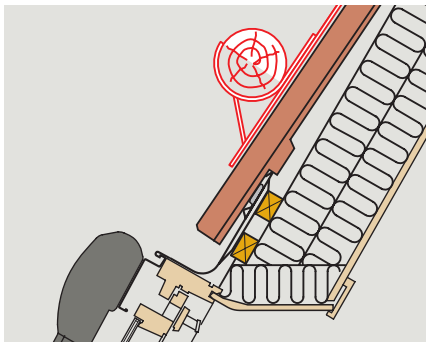
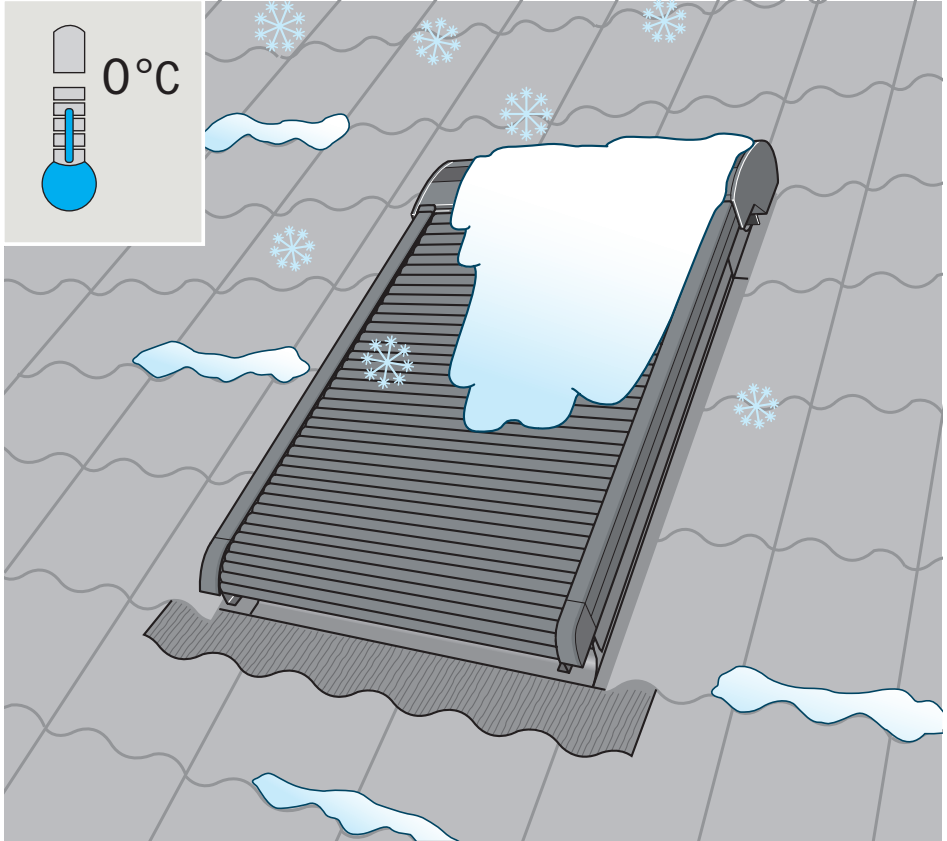
GPL/GPU





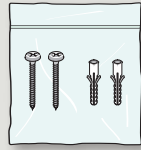
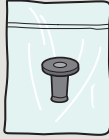
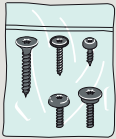
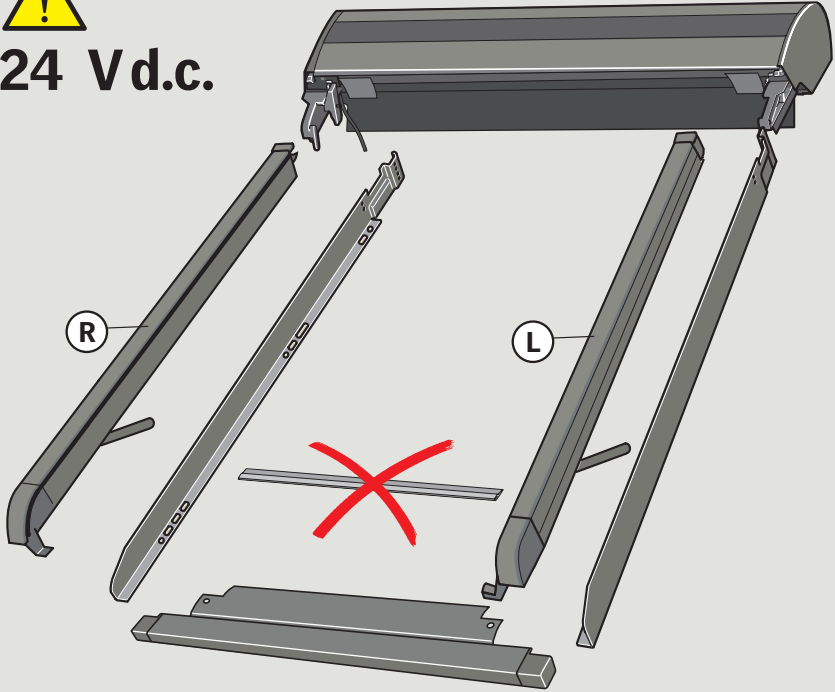
www.velux.com/integrasupport

i

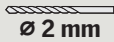




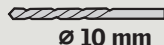
24 Vd.c.



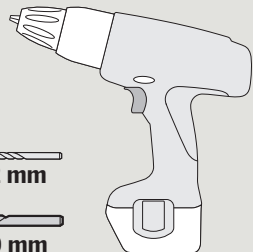
Torx 20



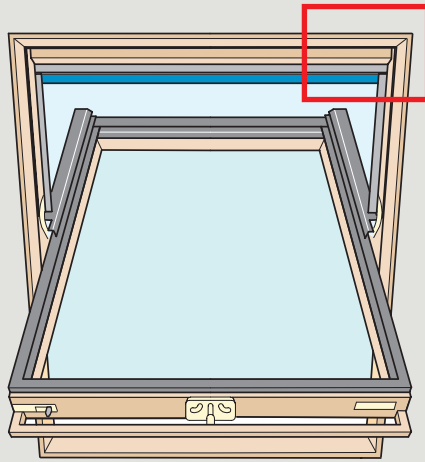
Ø 2 mm



Ø 10 mm

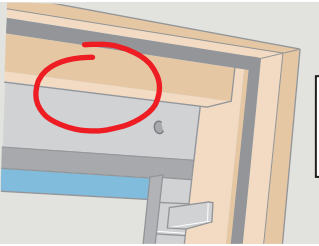


1

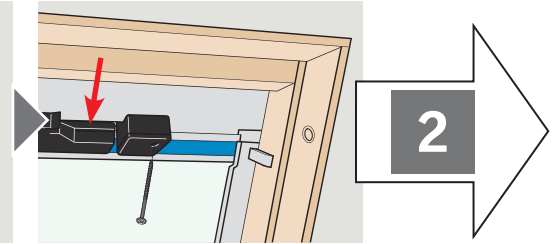
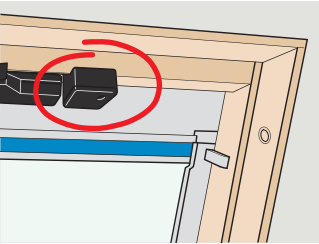


A/B/C
?

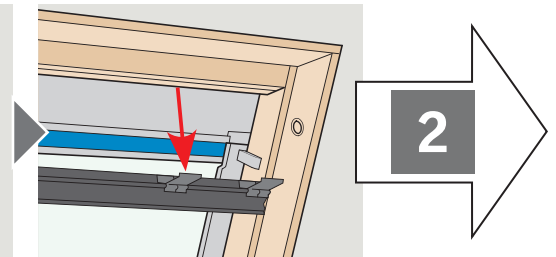
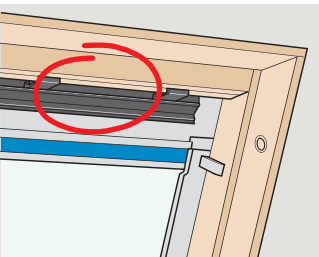
A



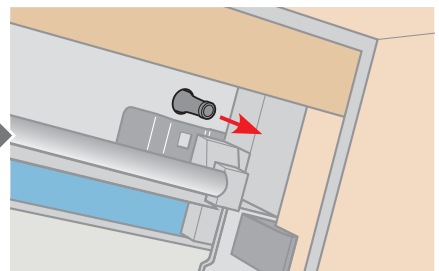
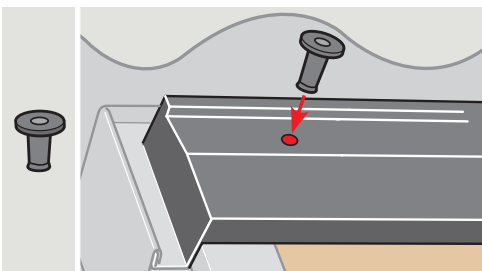
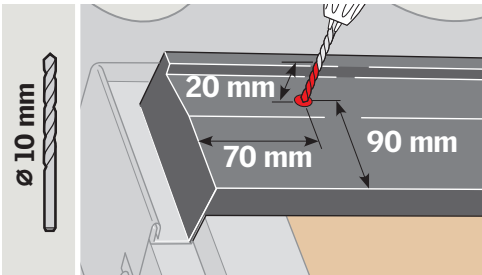
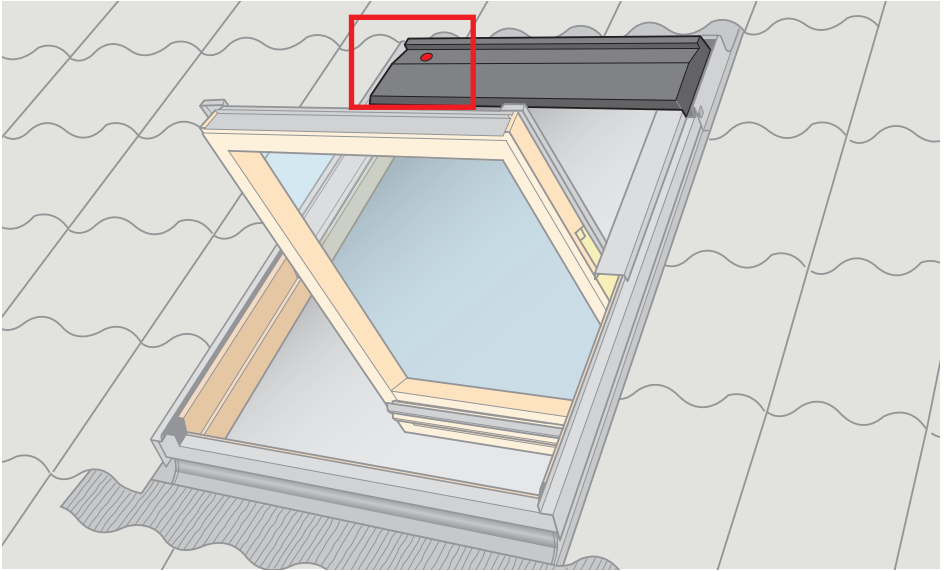
B



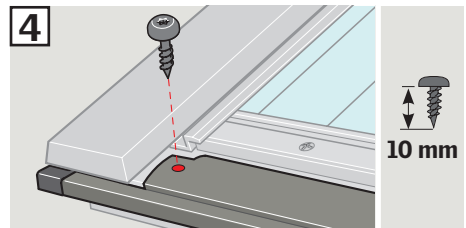
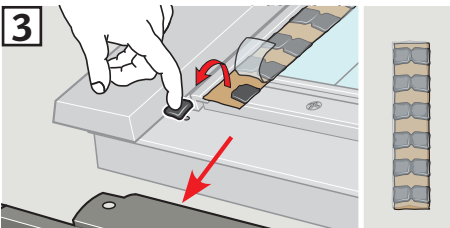
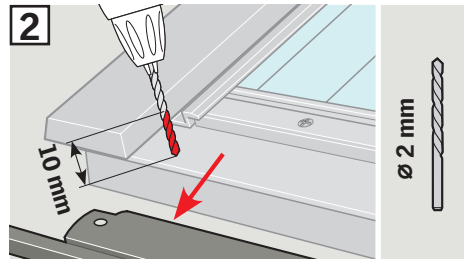
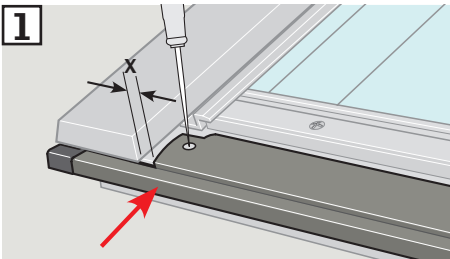
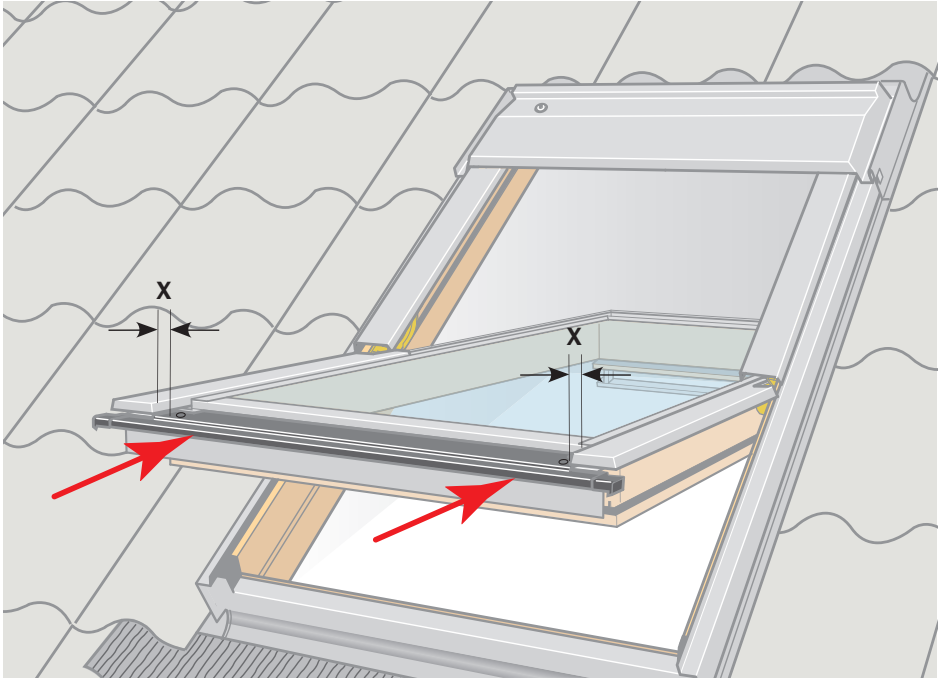
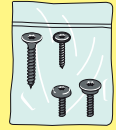
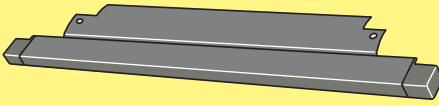
C

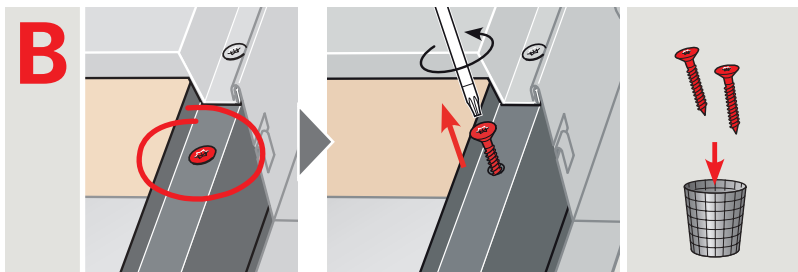
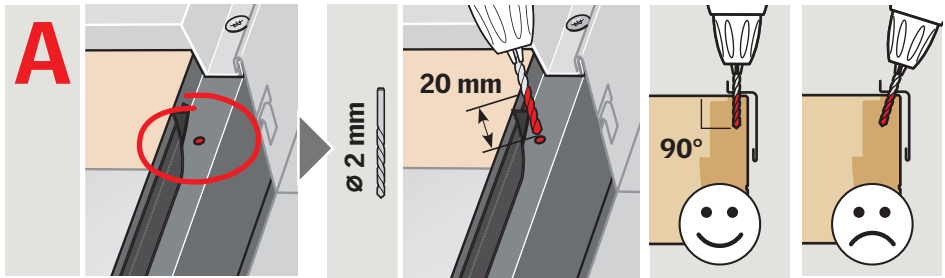
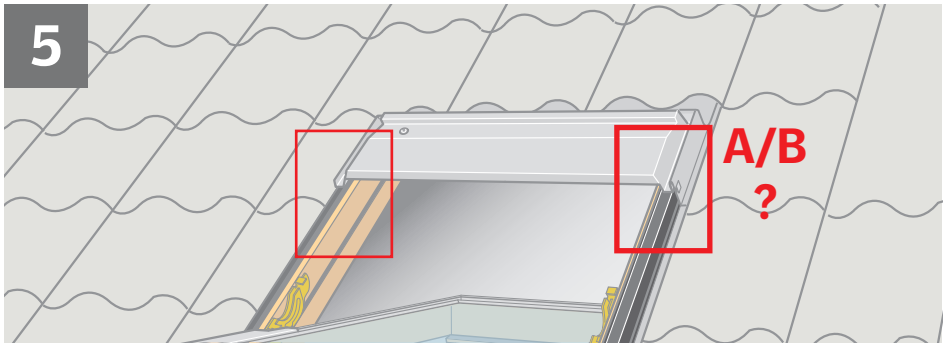
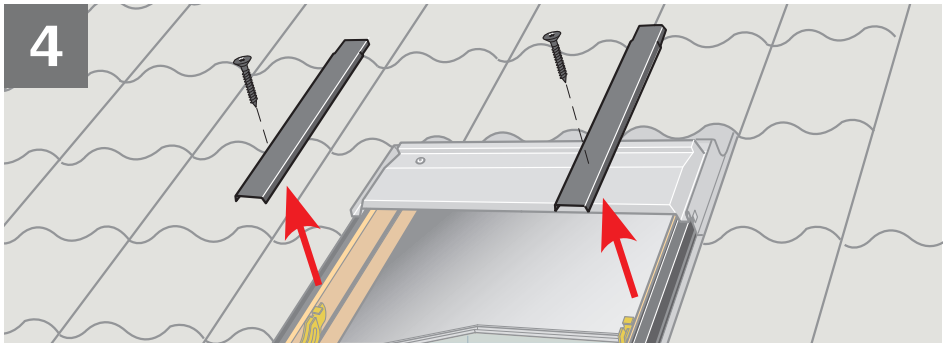


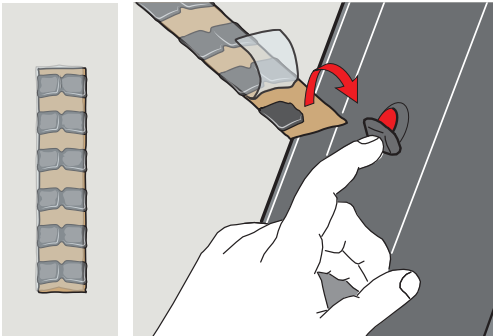
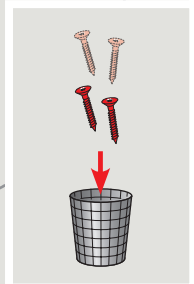
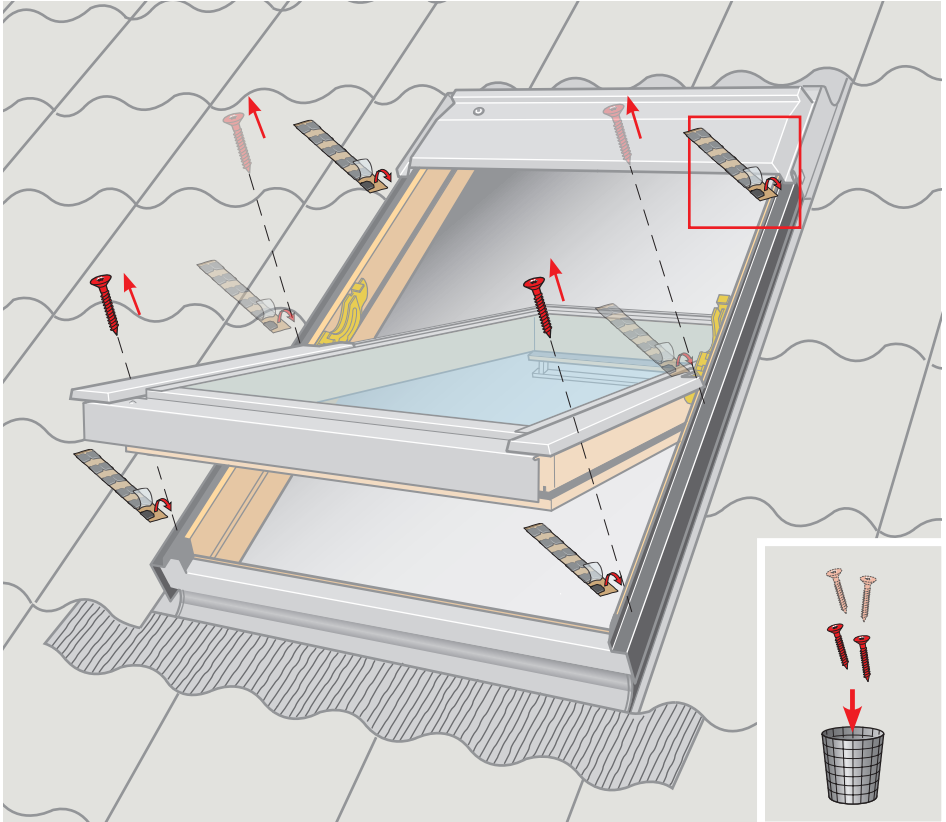
2



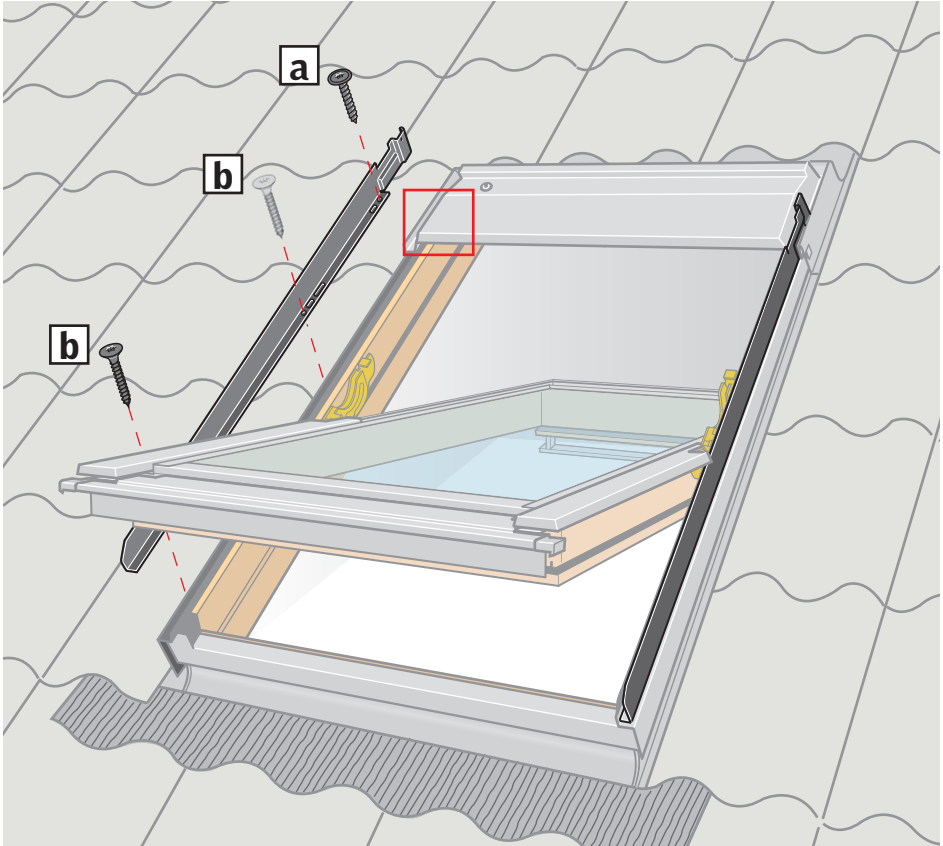
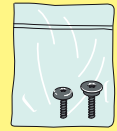
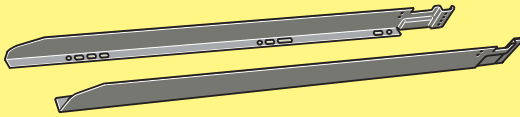
3



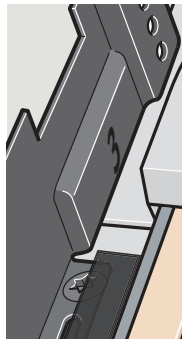
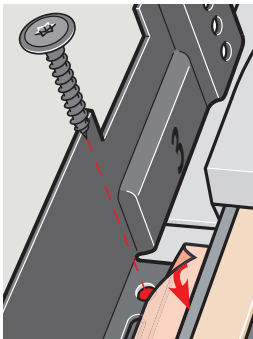
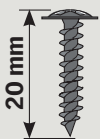




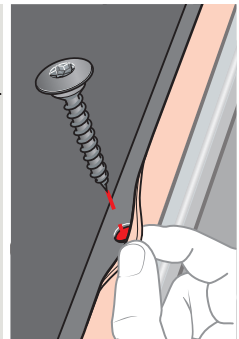
7



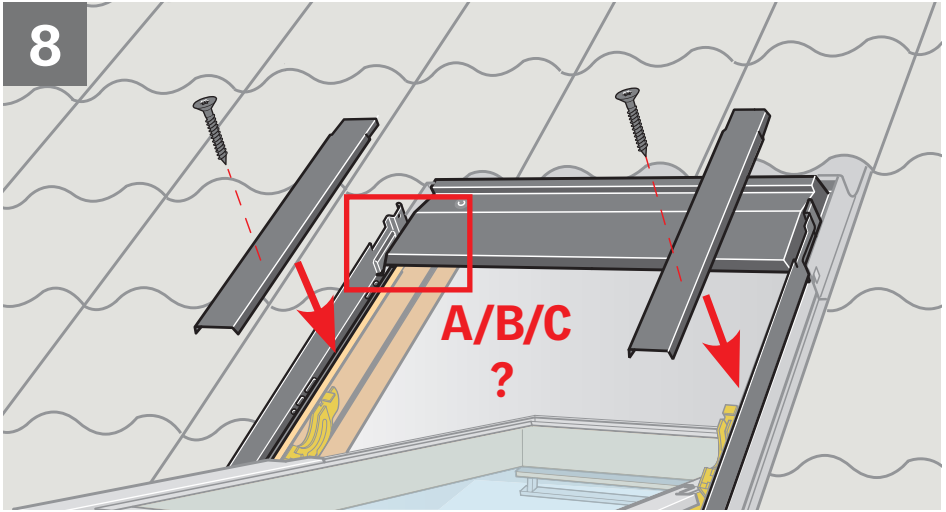
a



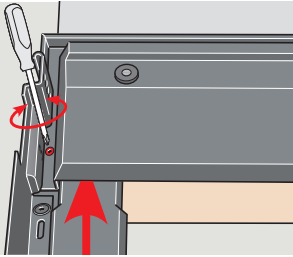
b



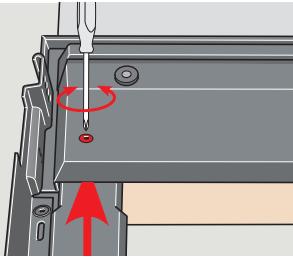
8



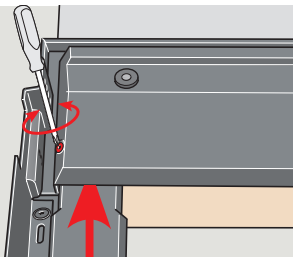
A



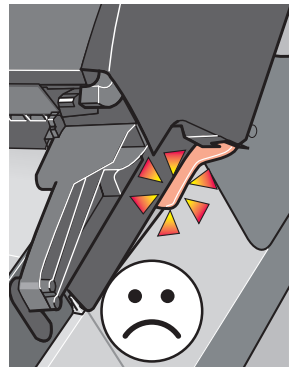
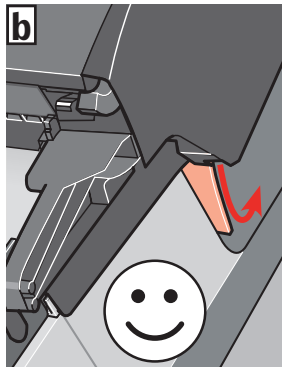
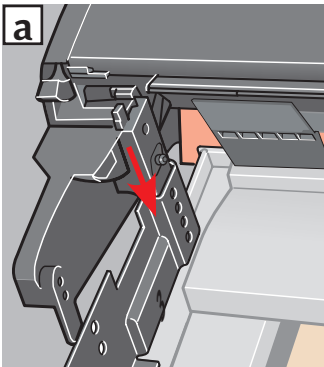
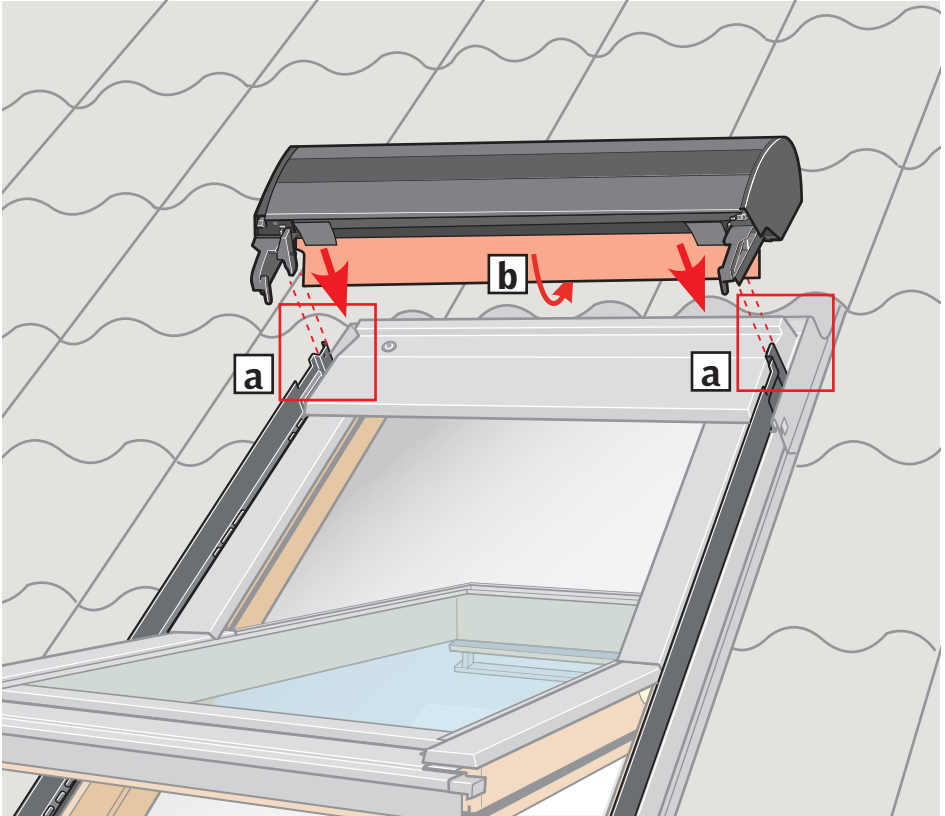
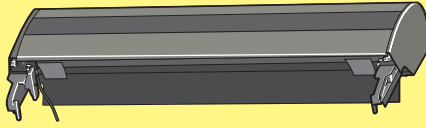
B

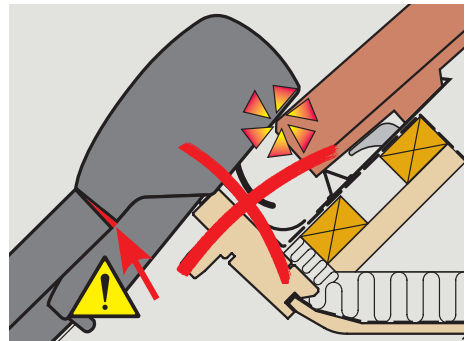
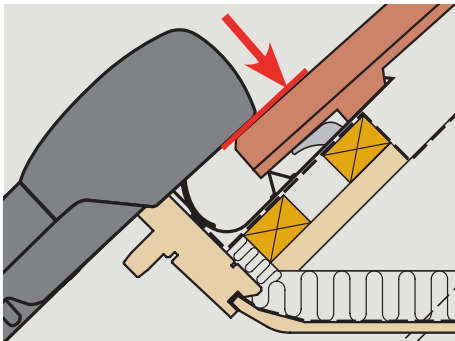
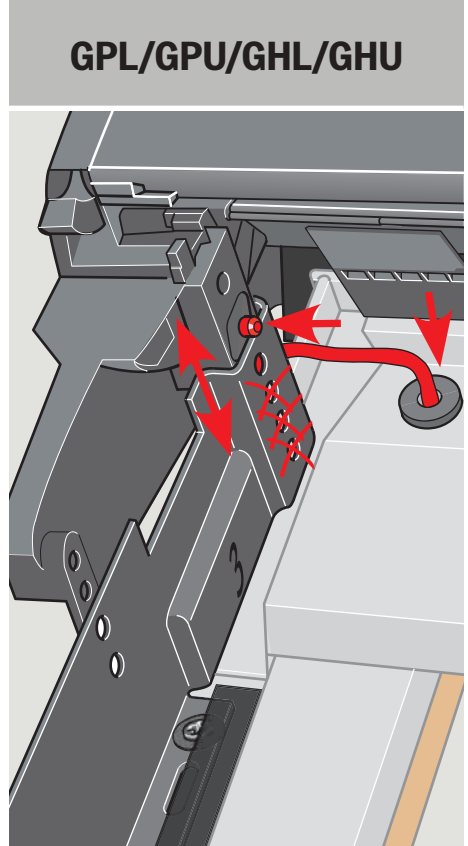
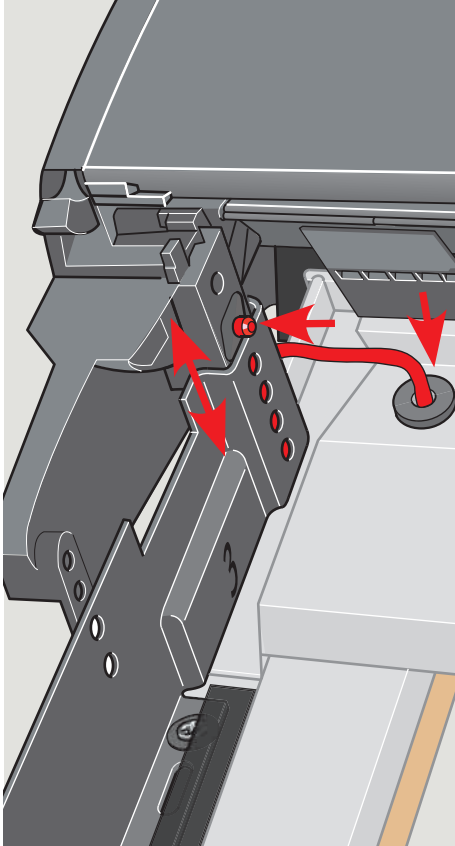


C



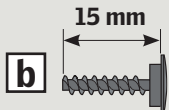
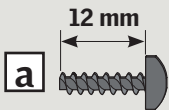
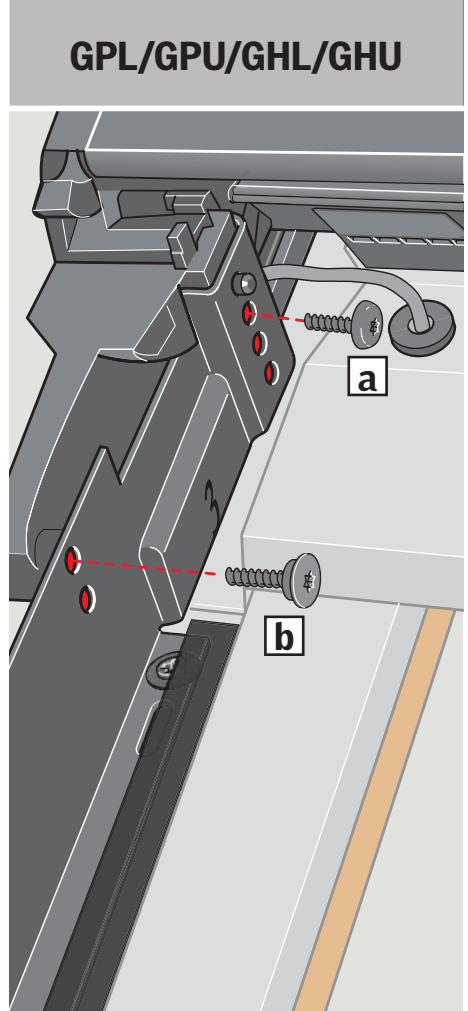
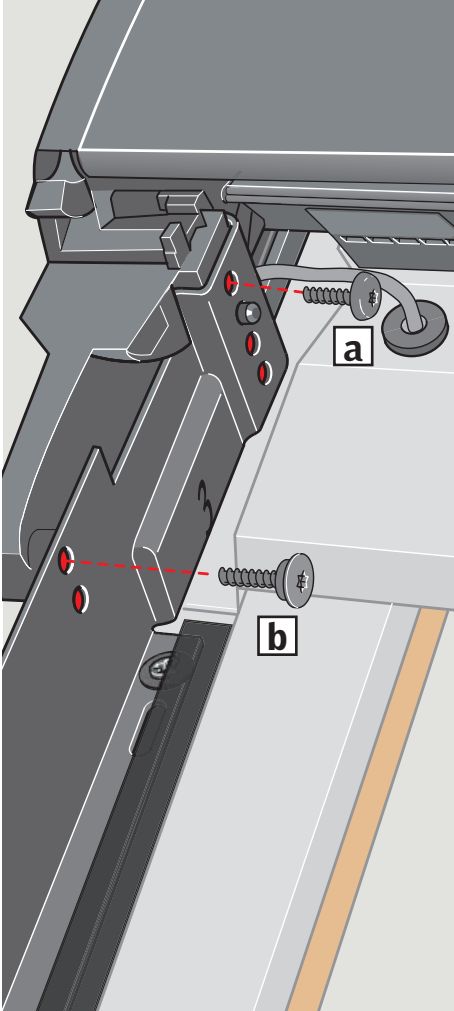
9



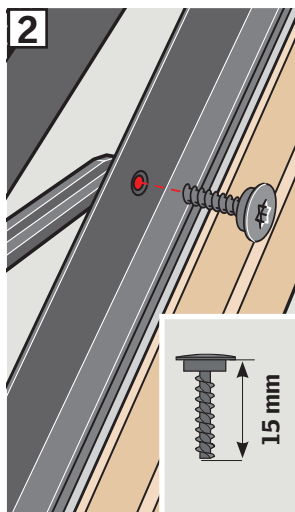
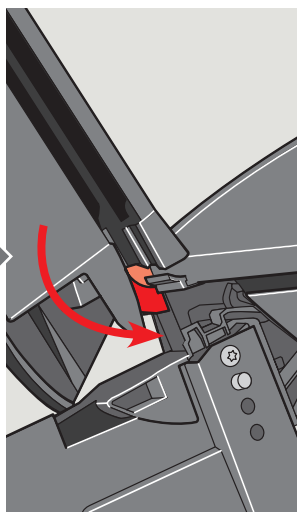
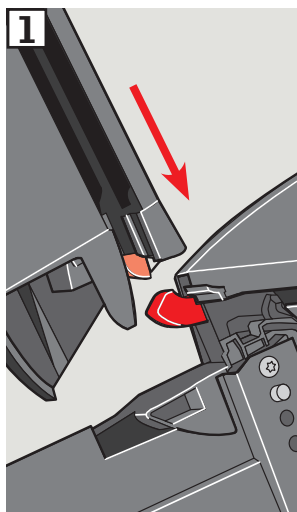
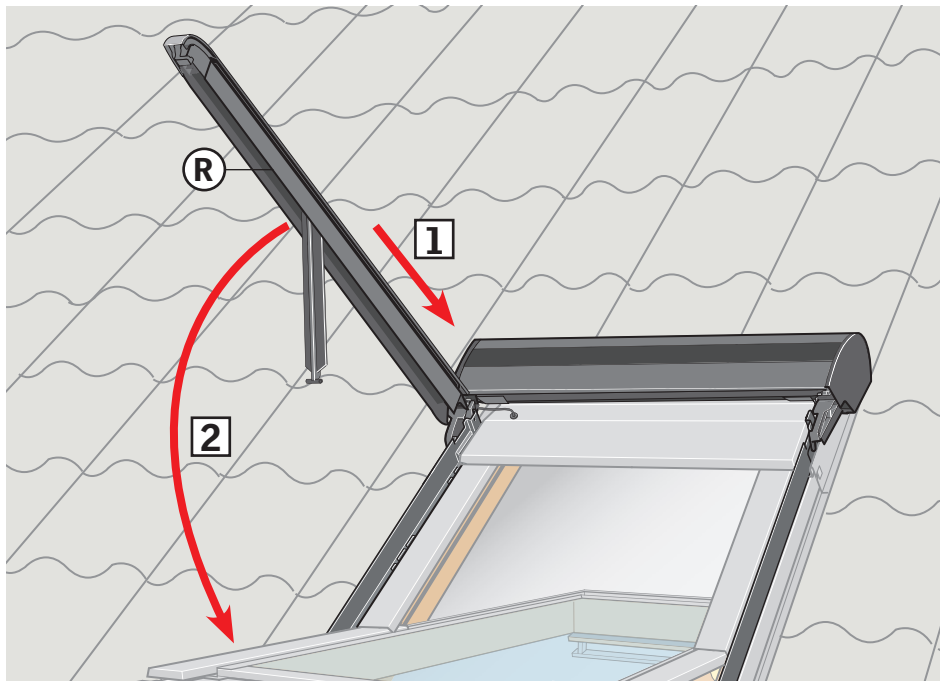
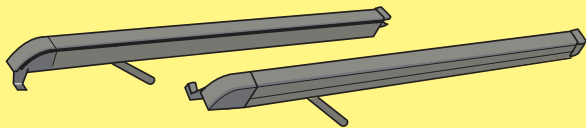




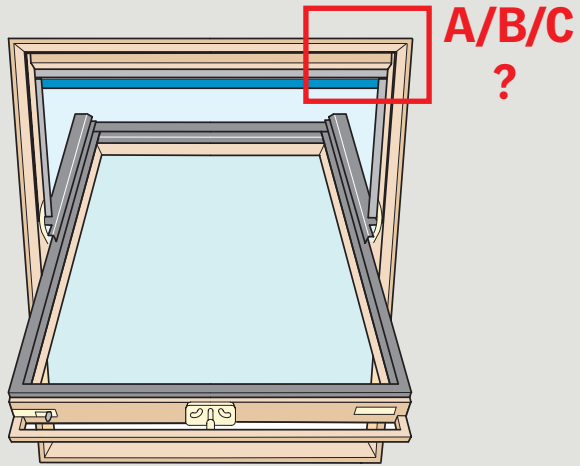
GPL/GPU/GHL/GHU



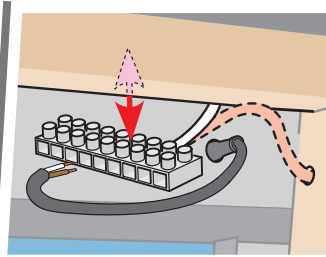
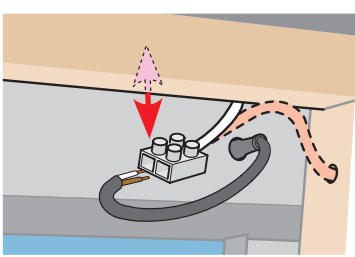
12



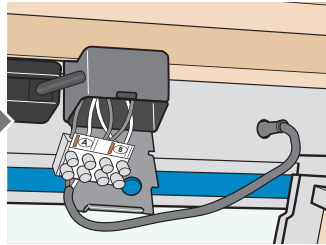
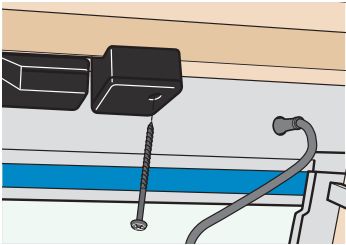
13



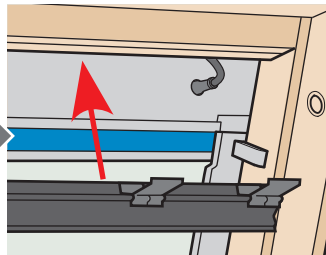
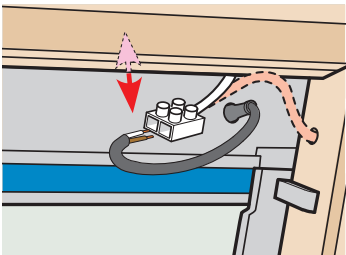
A



B



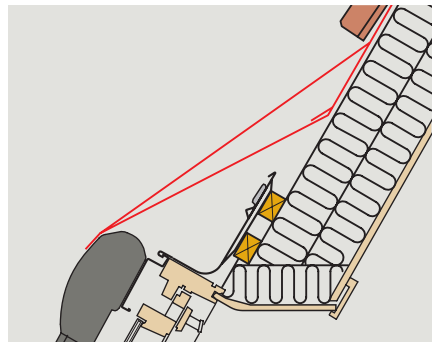
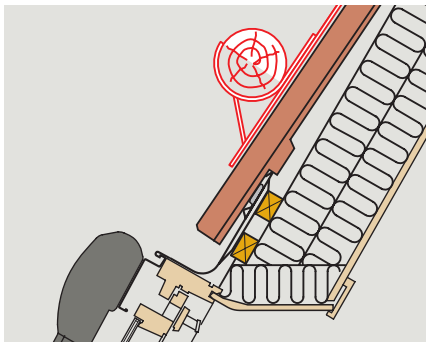
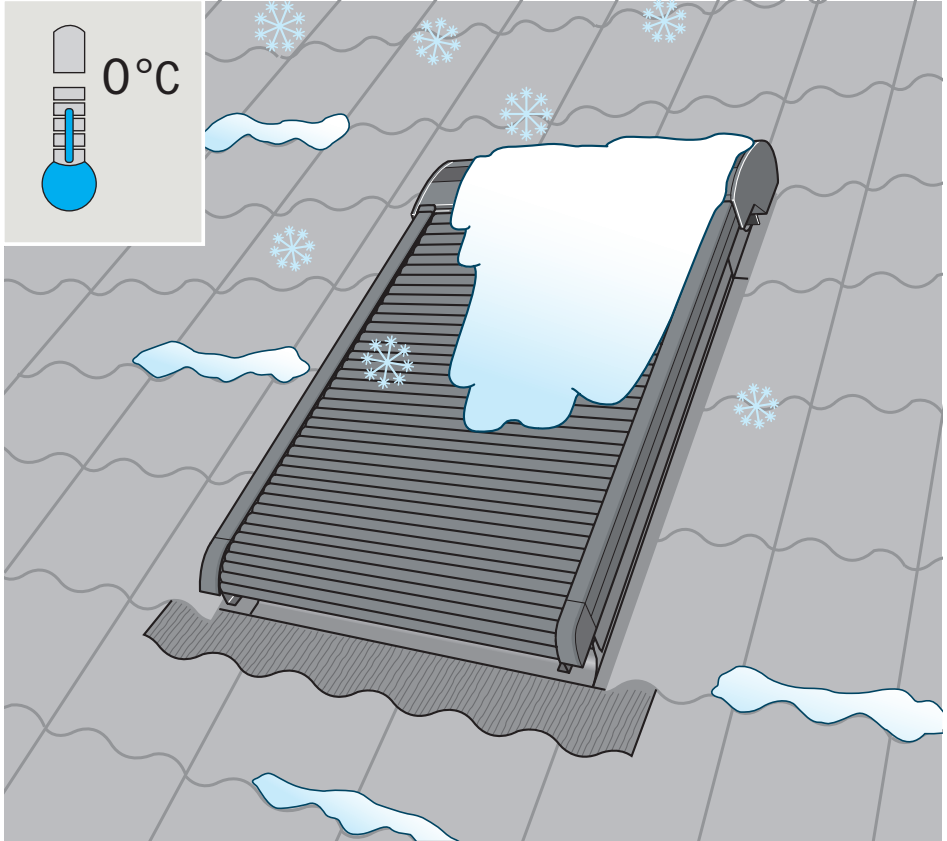
C



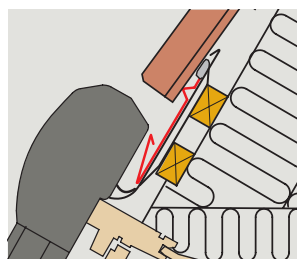
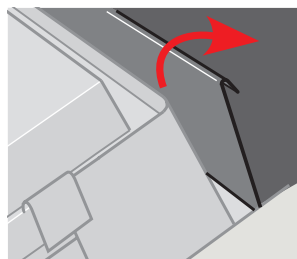
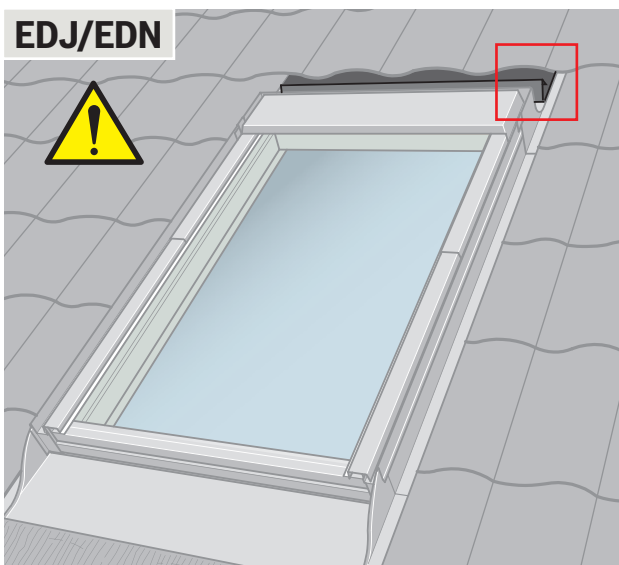
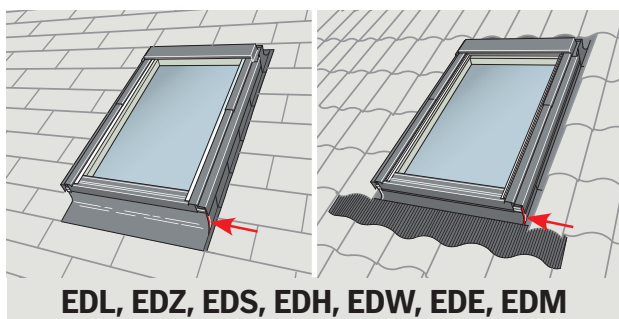
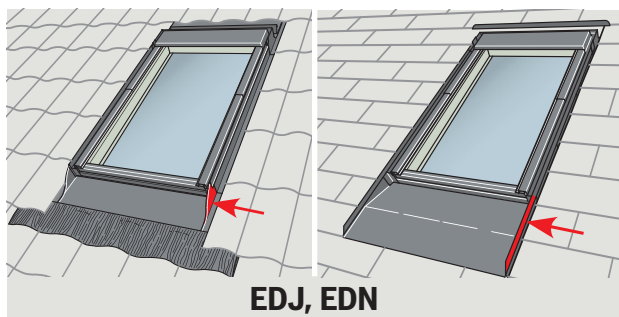


www.velux.com/integrasupport

i

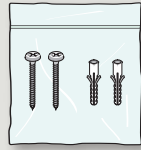
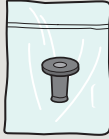
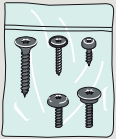
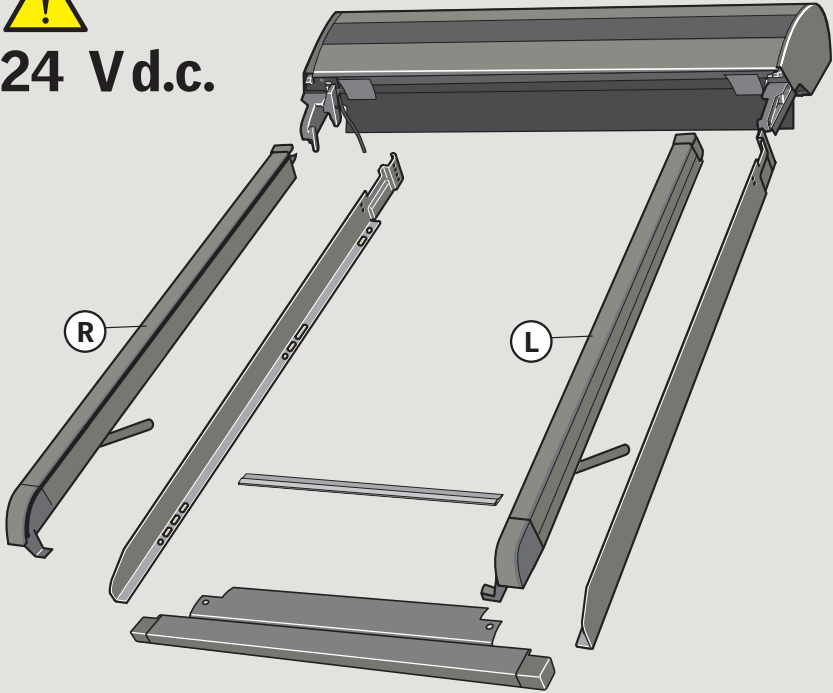


i





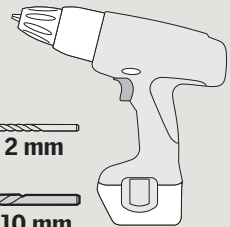
24 V d.c.



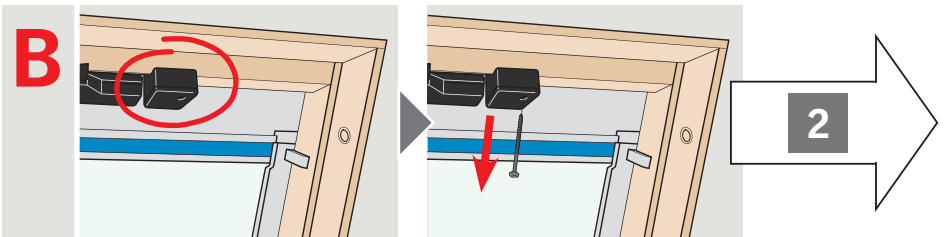
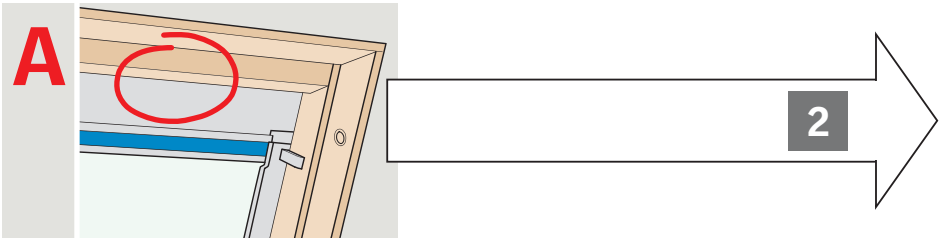
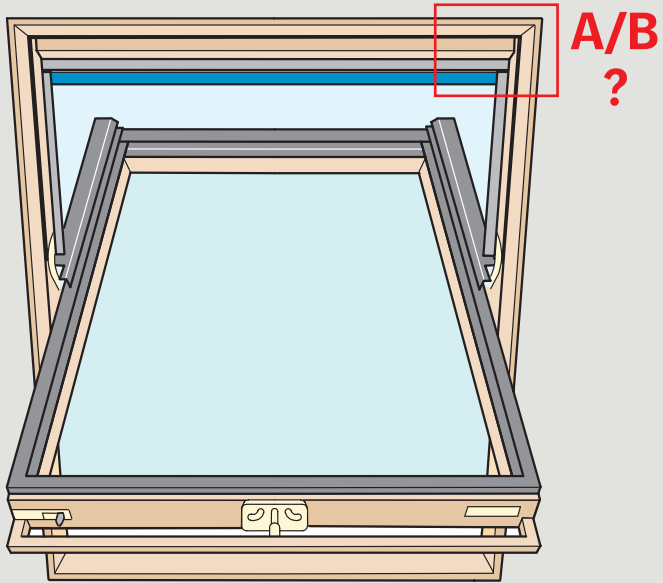
Torx 20

Ø 2 mm

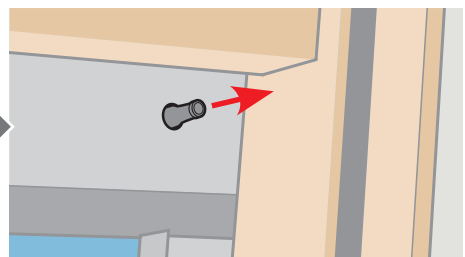
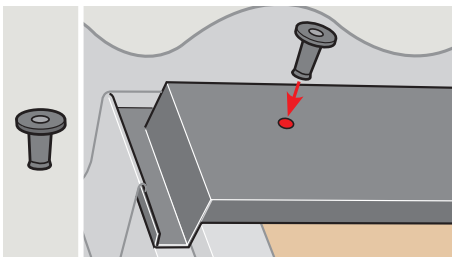
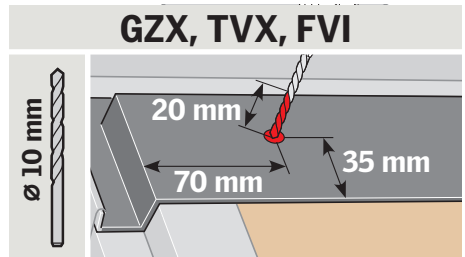
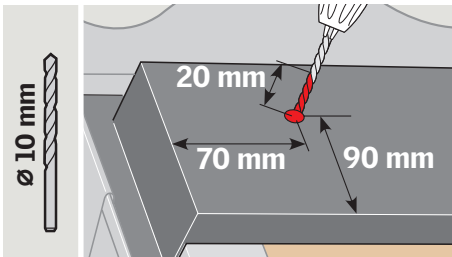
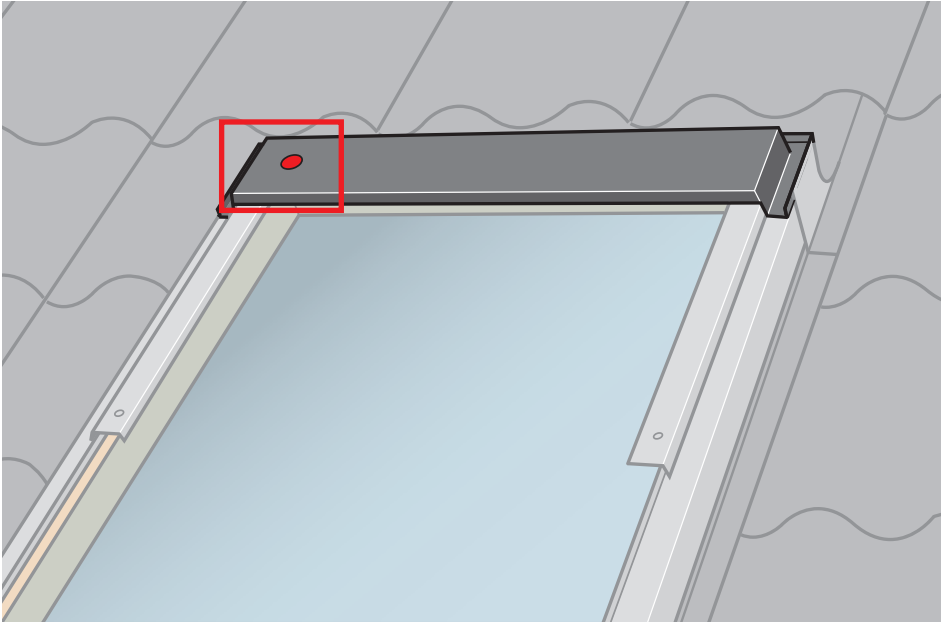
Ø 10 mm



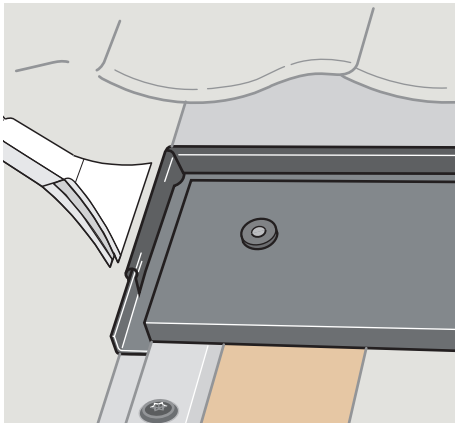
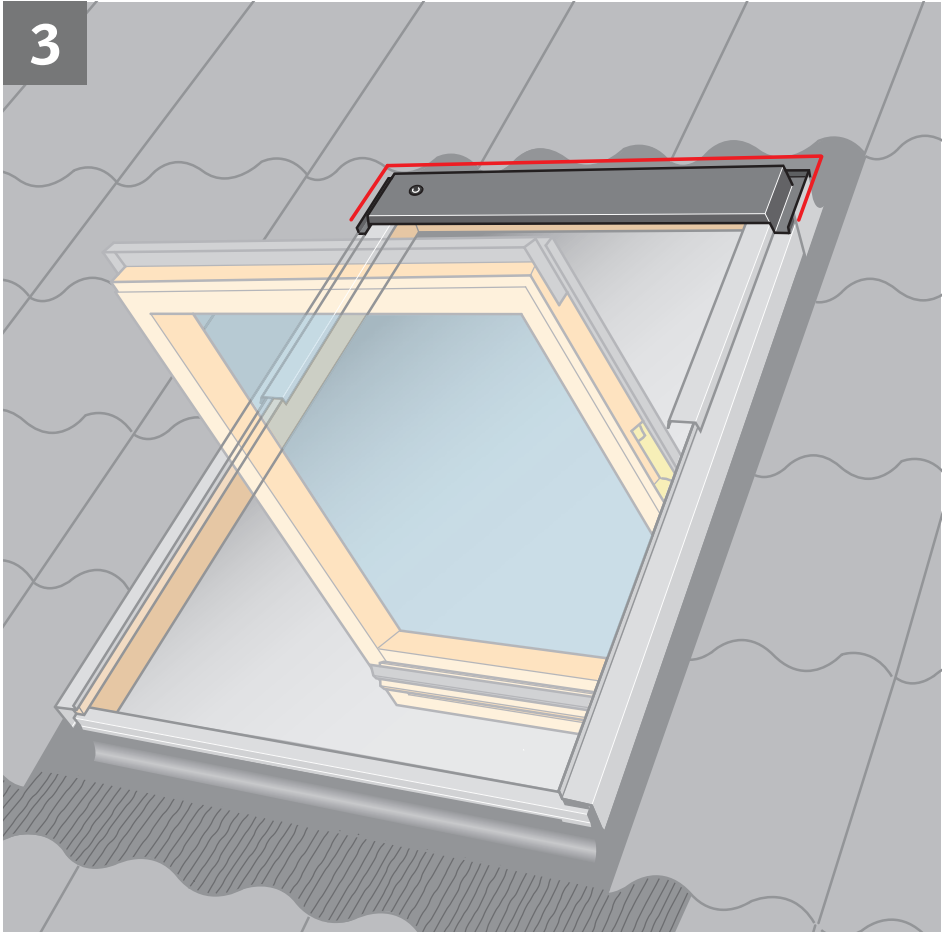
1



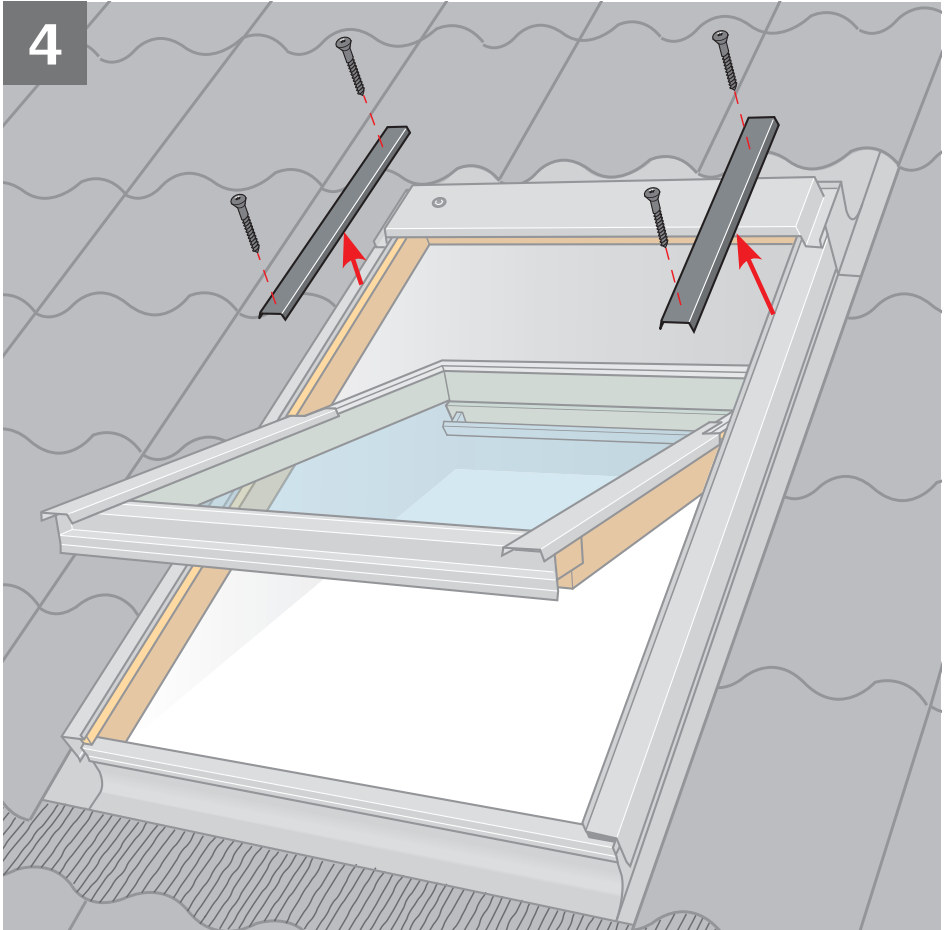
2



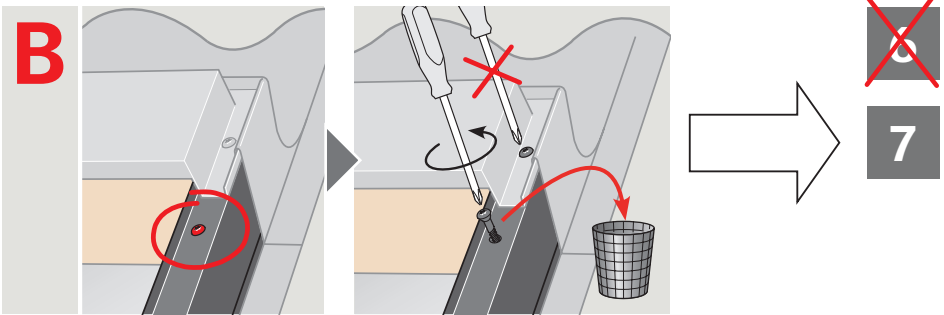
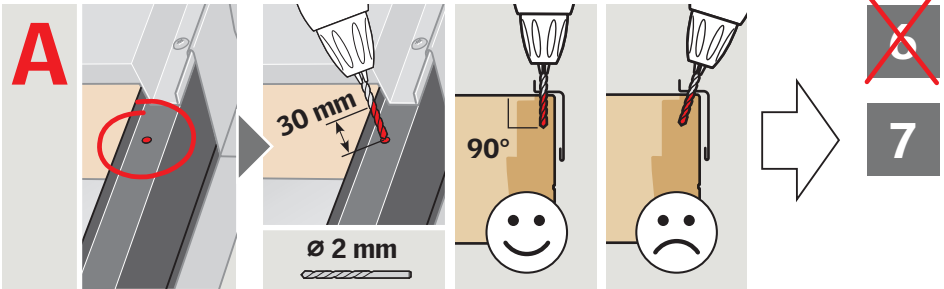
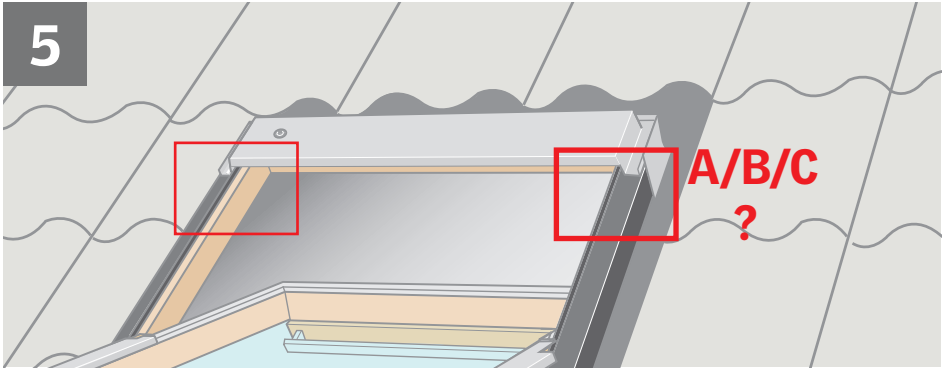
3



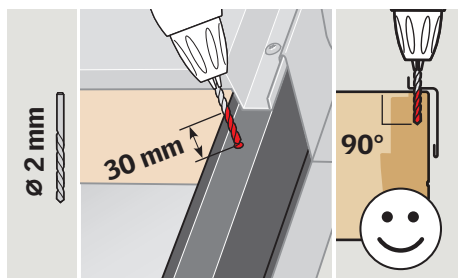
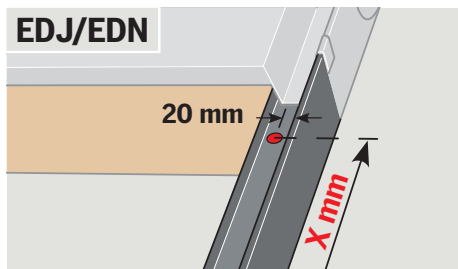
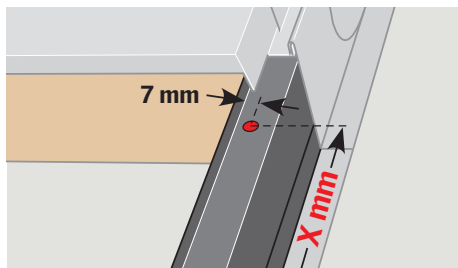
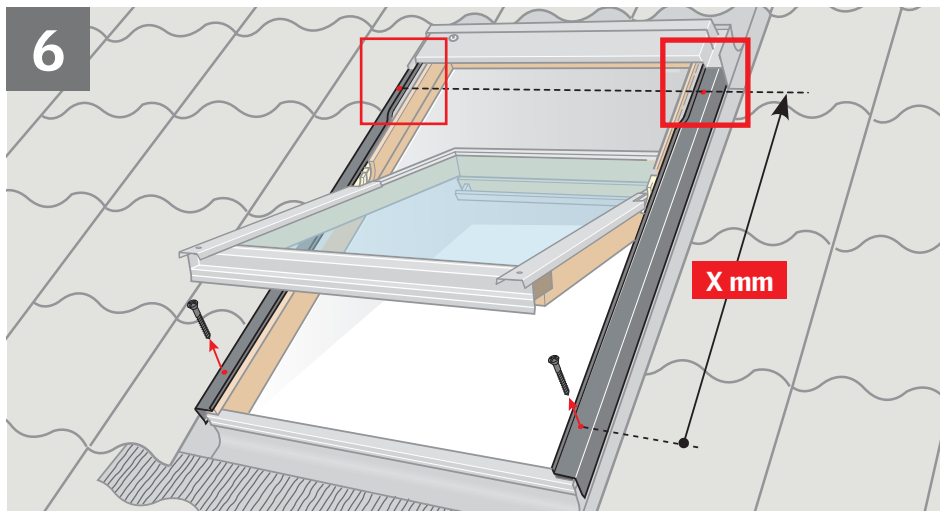
4



5



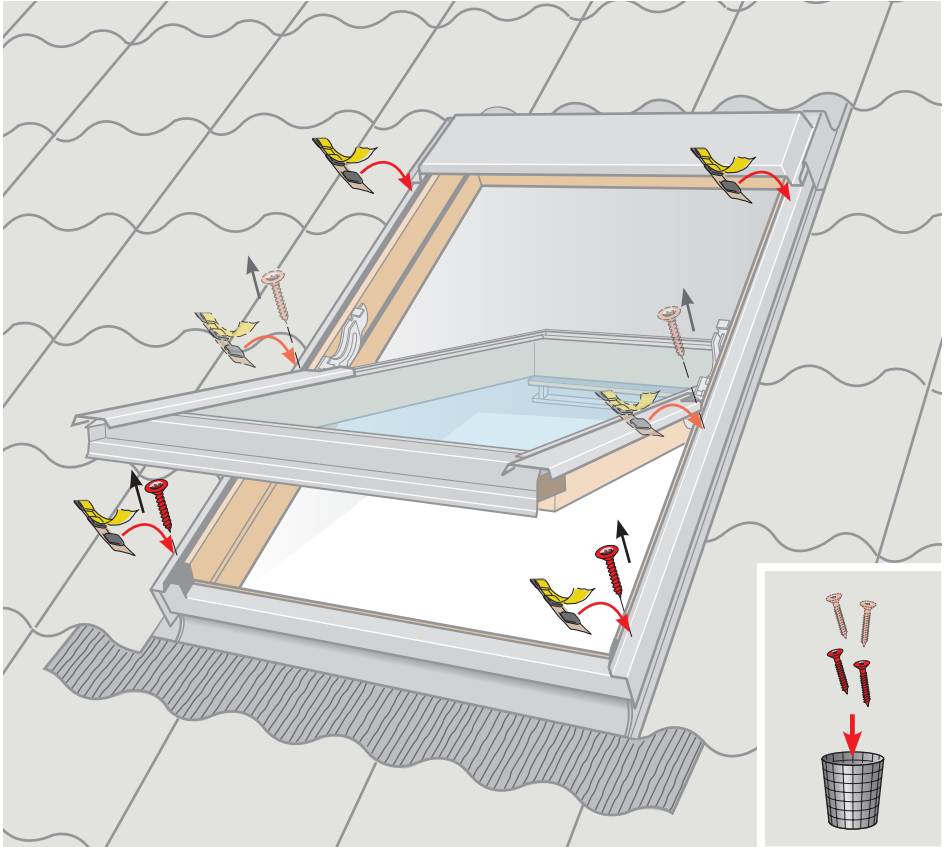
6



GGL/GGU/GFL/GZL	X mm
325, 425	263
601	411
101	431
102	511
304, 404, 804	691
104, 204	711
306, 406, 606	891
206	911
308, 408, 608, 808	1111
310, 410, 610, 810	1313
312	1513

GHL/VTL	X mm
101	431
102	511
104, 204	711
304, 404, 804, 1, 6, 7, 31	715
206	911
306. 606, 4, 5, 14	915
308, 608, 808, 2, 8, 10	1135

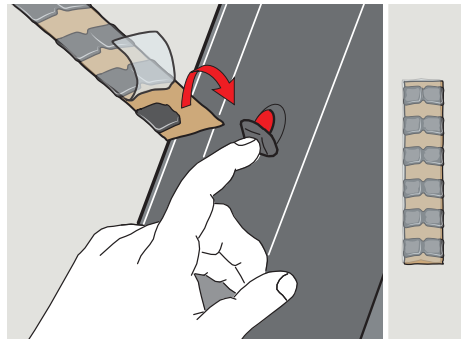
7



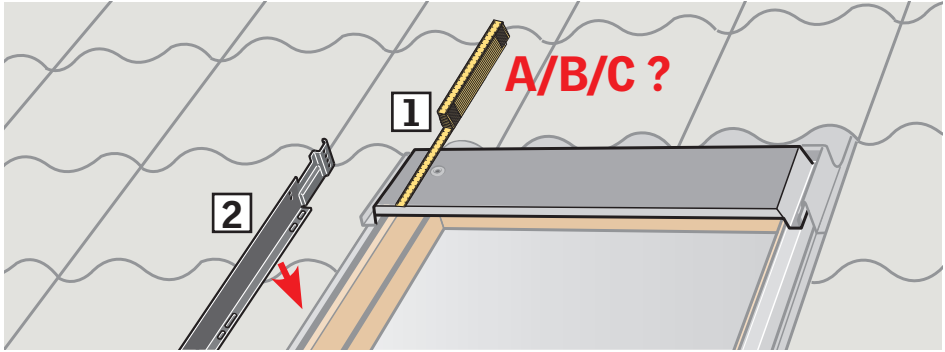
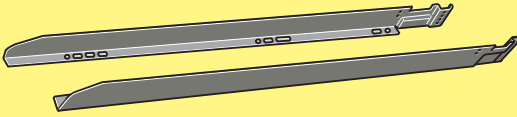
GPL/GPU

50 mm

Ø 2 mm

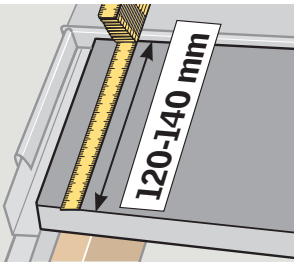


8

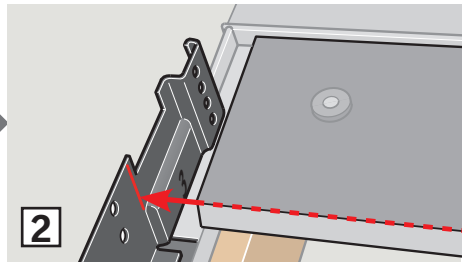


A

1

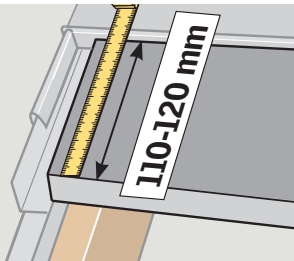


2

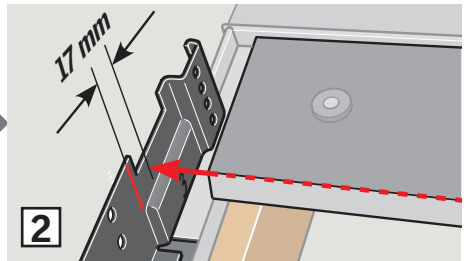


B

1

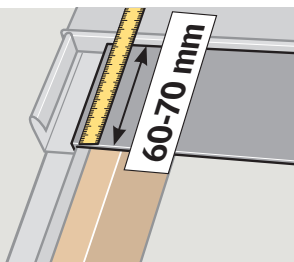


2

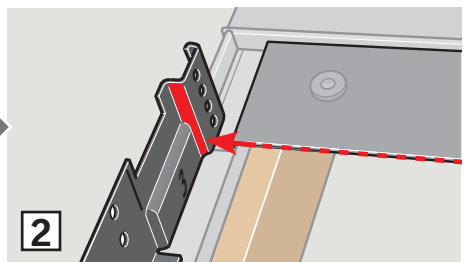


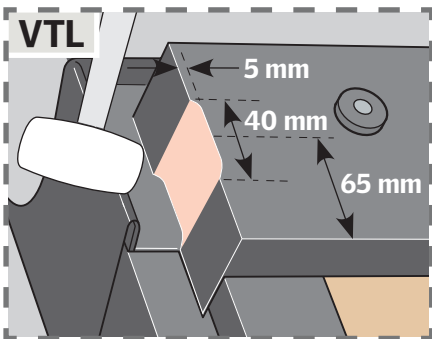
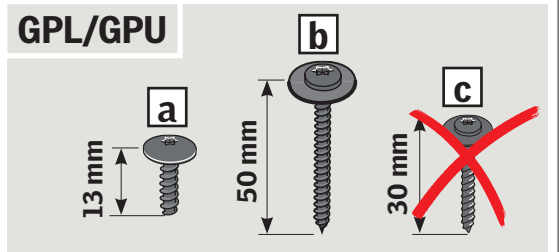
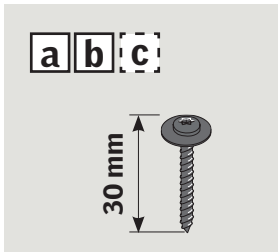
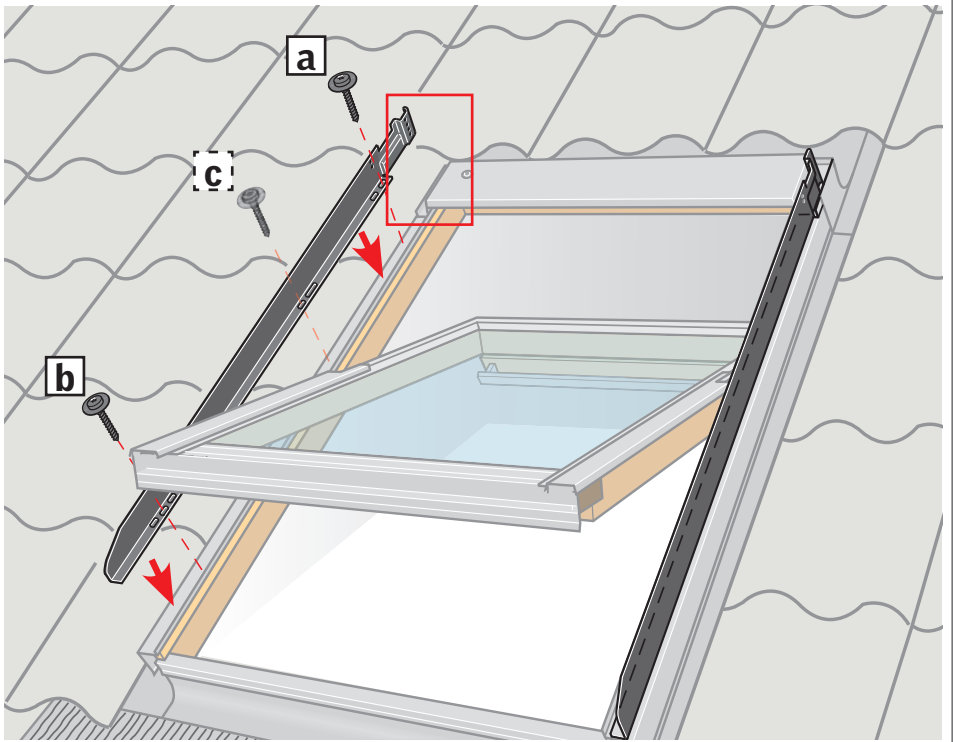
C

1

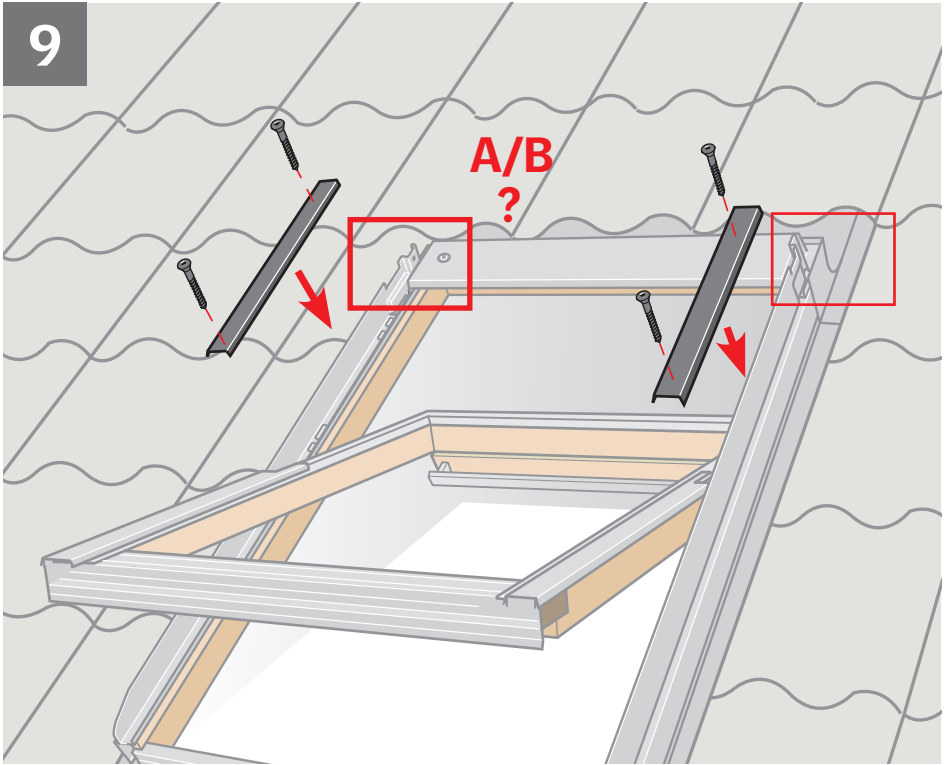


2

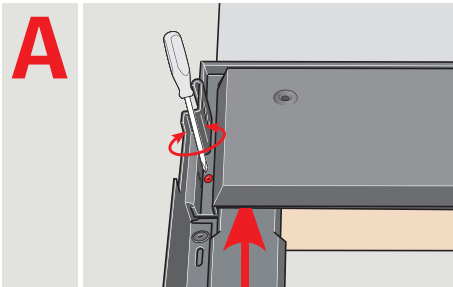




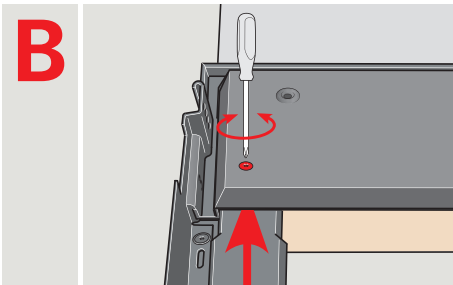
9



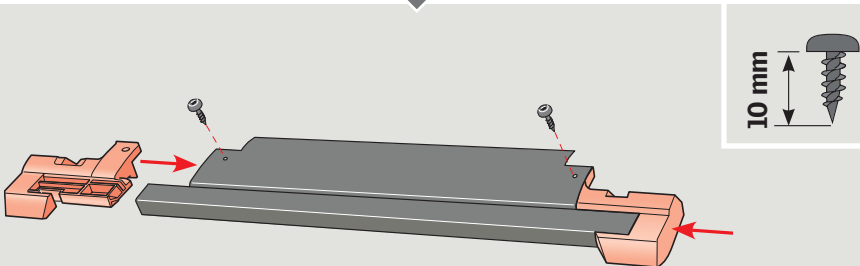
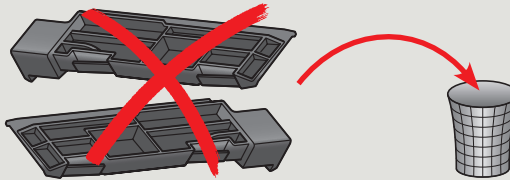
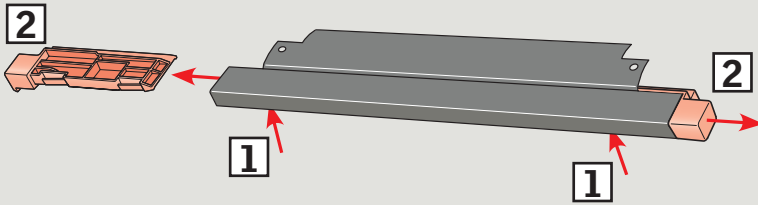
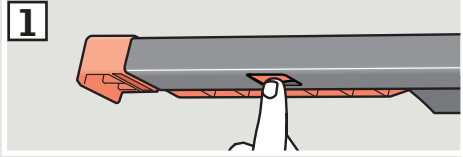
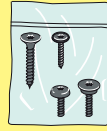
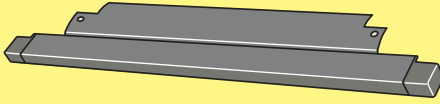
A



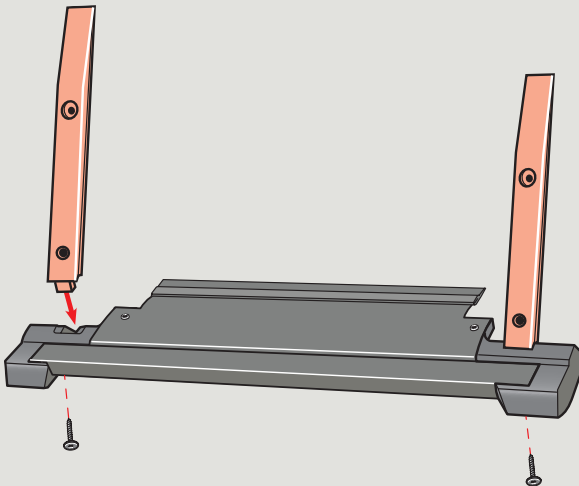
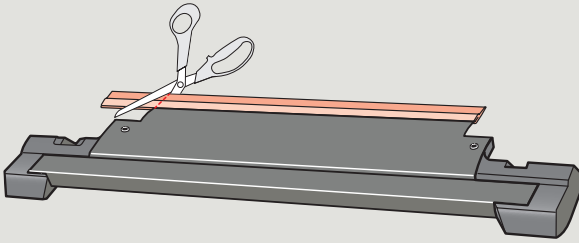
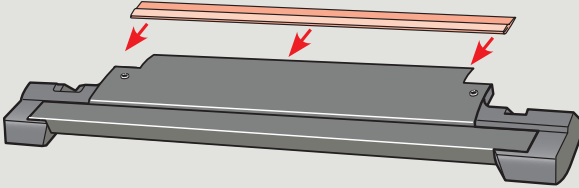
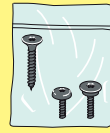
B



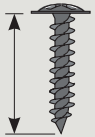
10

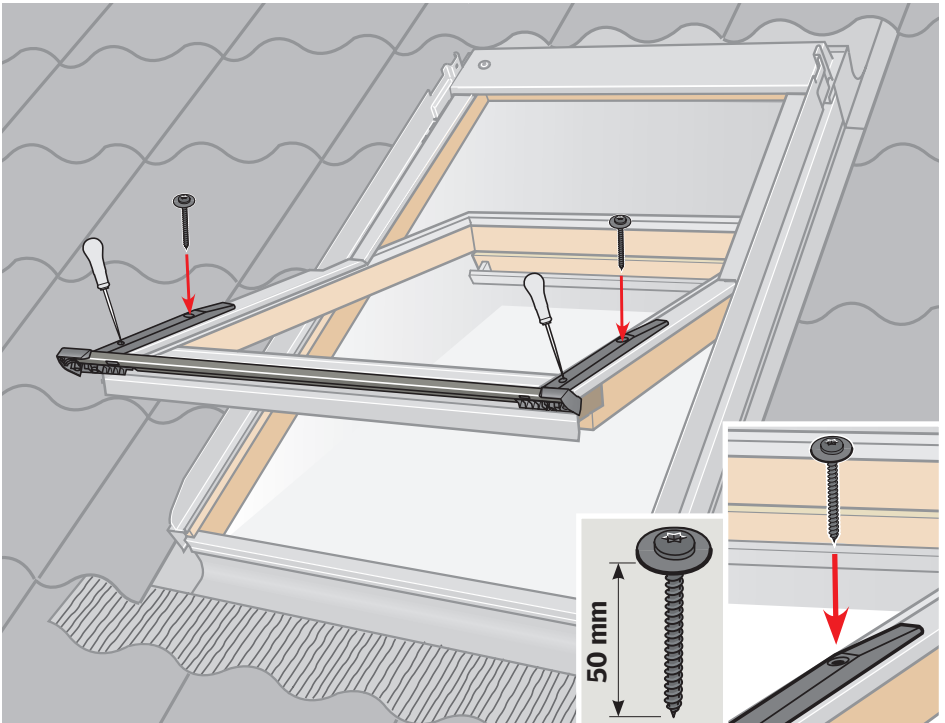
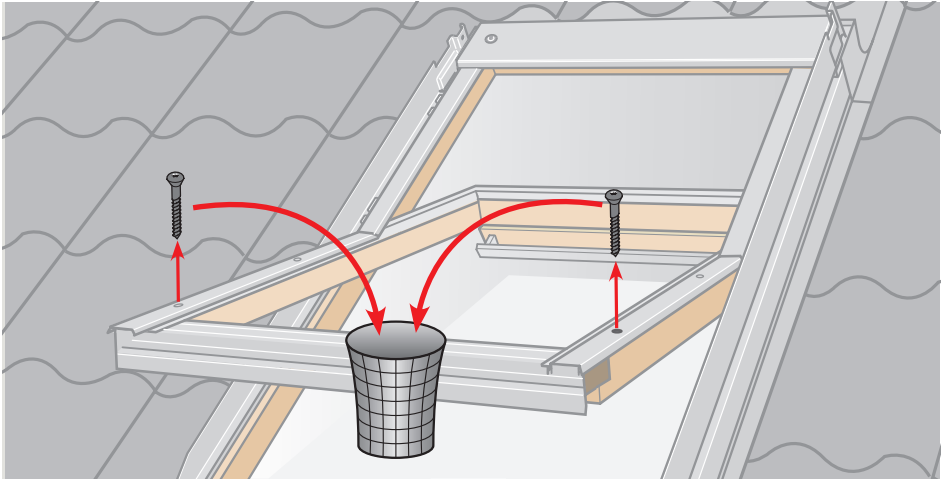


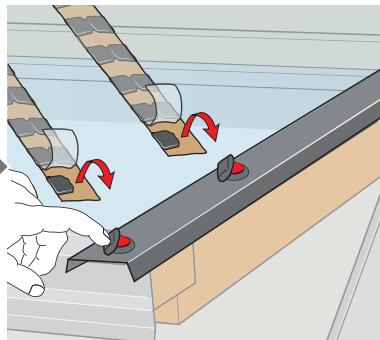
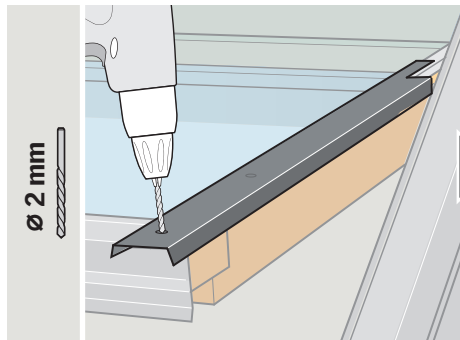
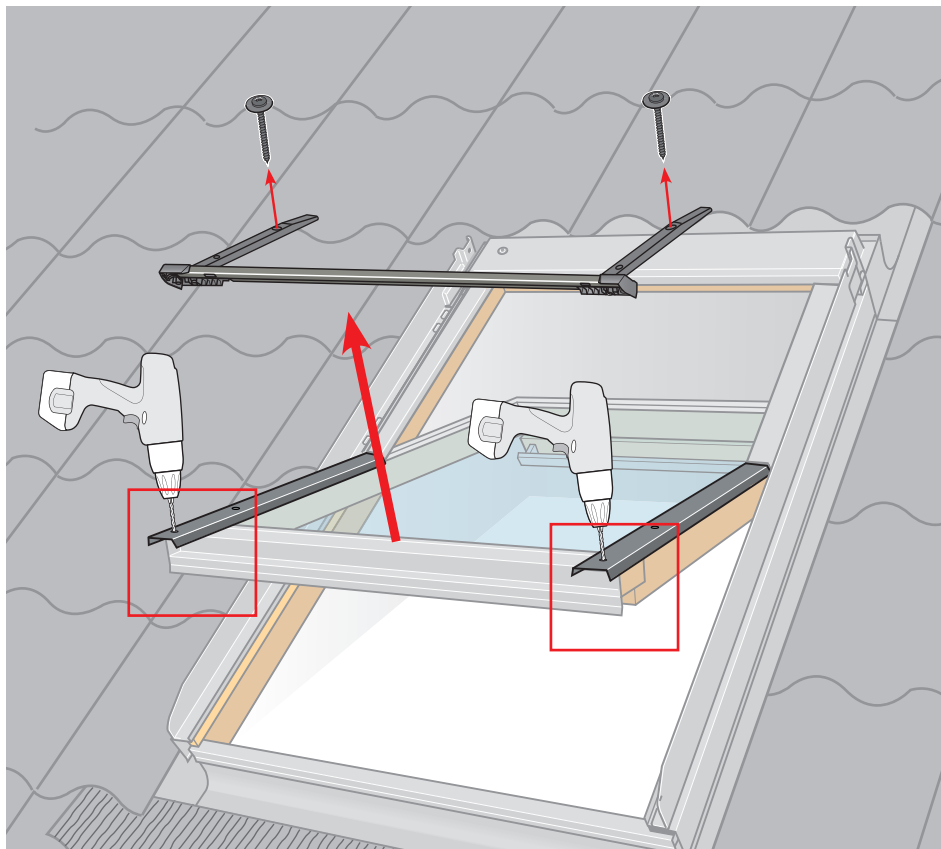
11



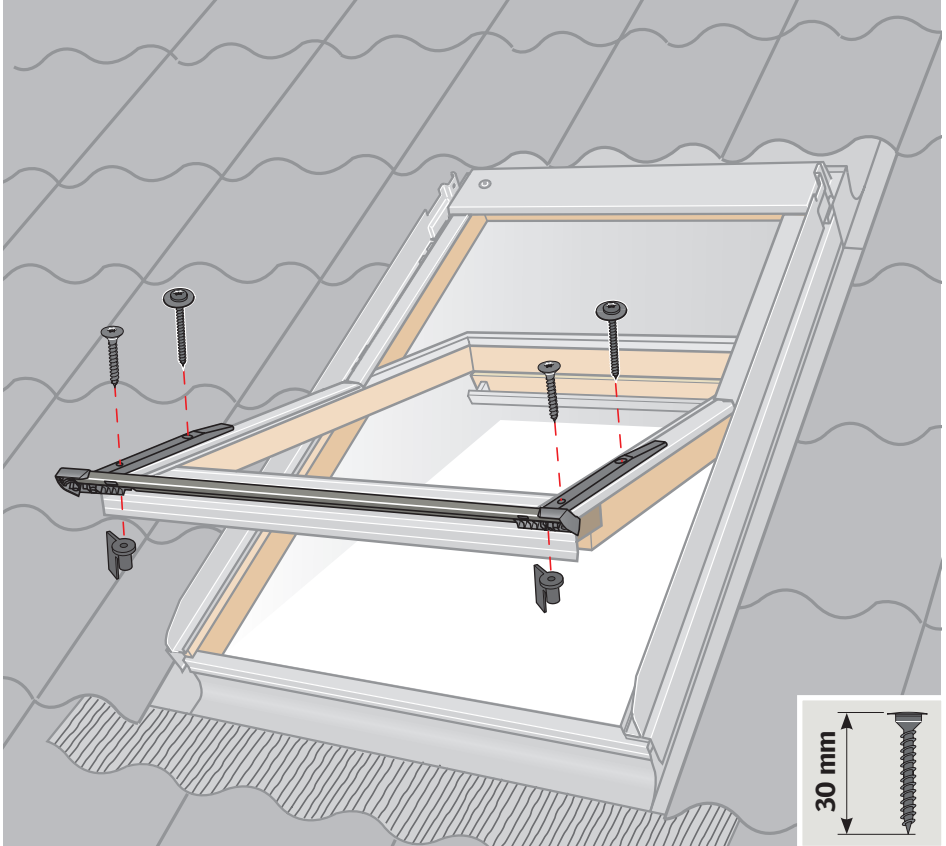
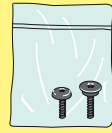
20 mm

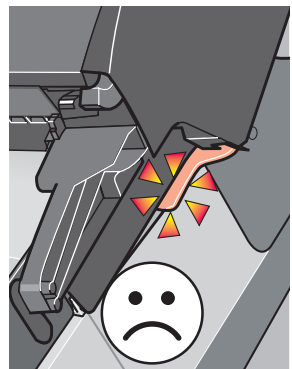
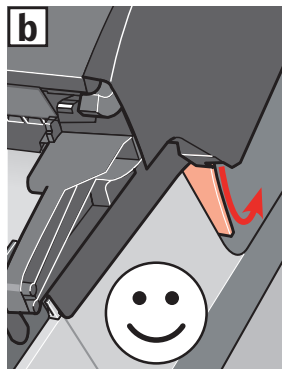
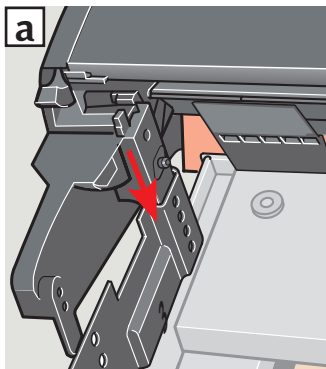
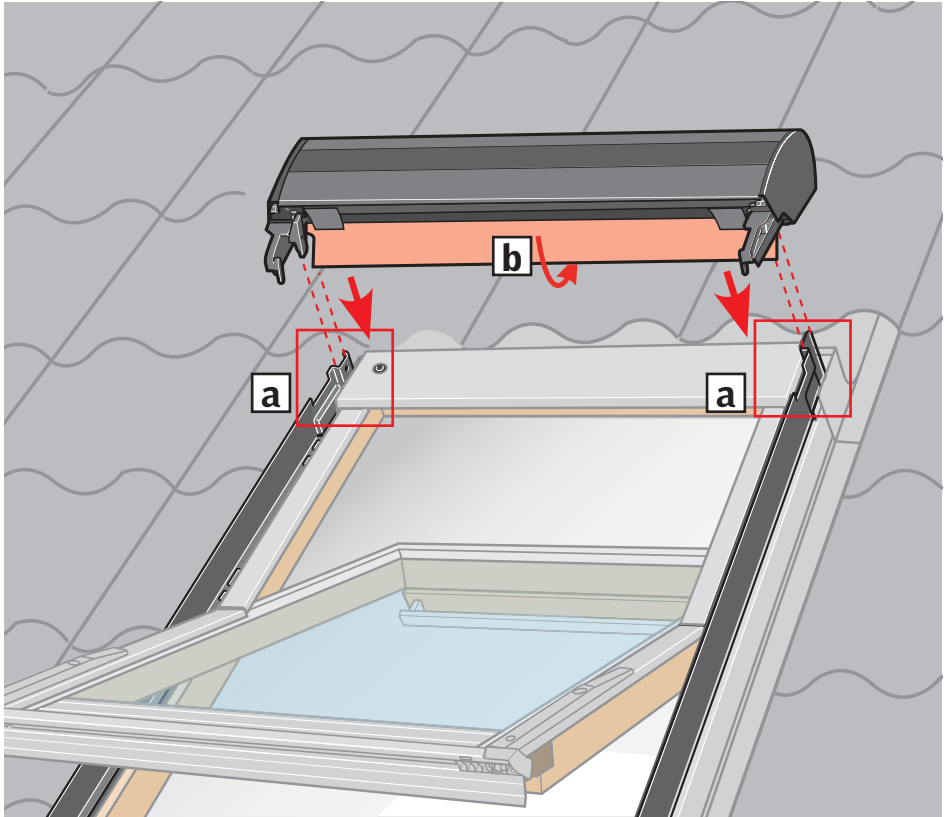
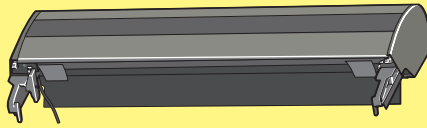


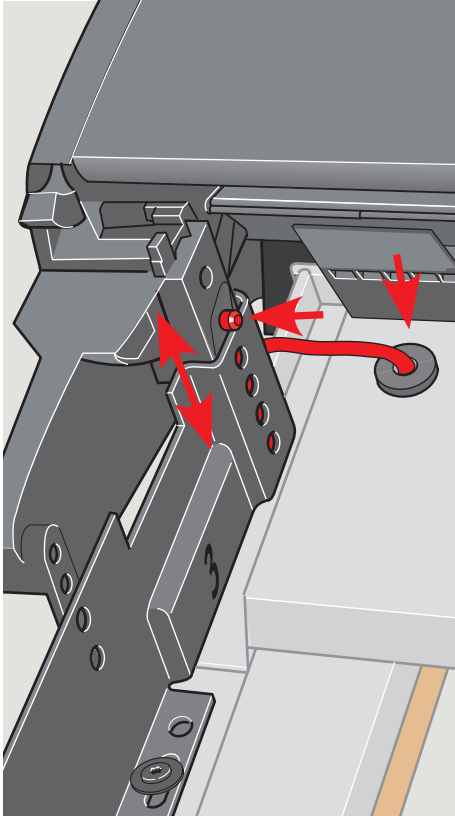




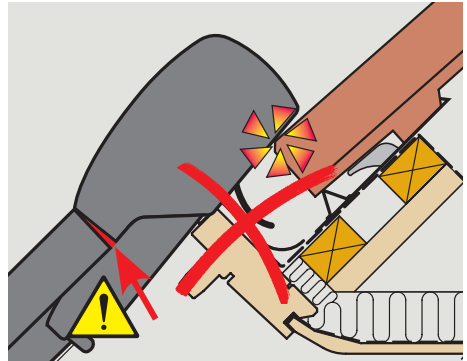
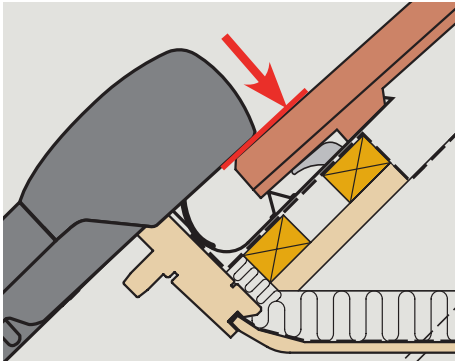
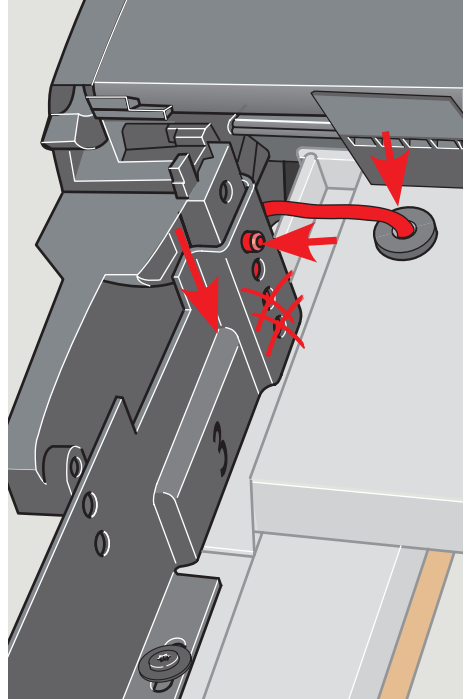
14

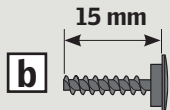
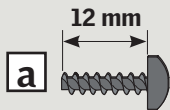
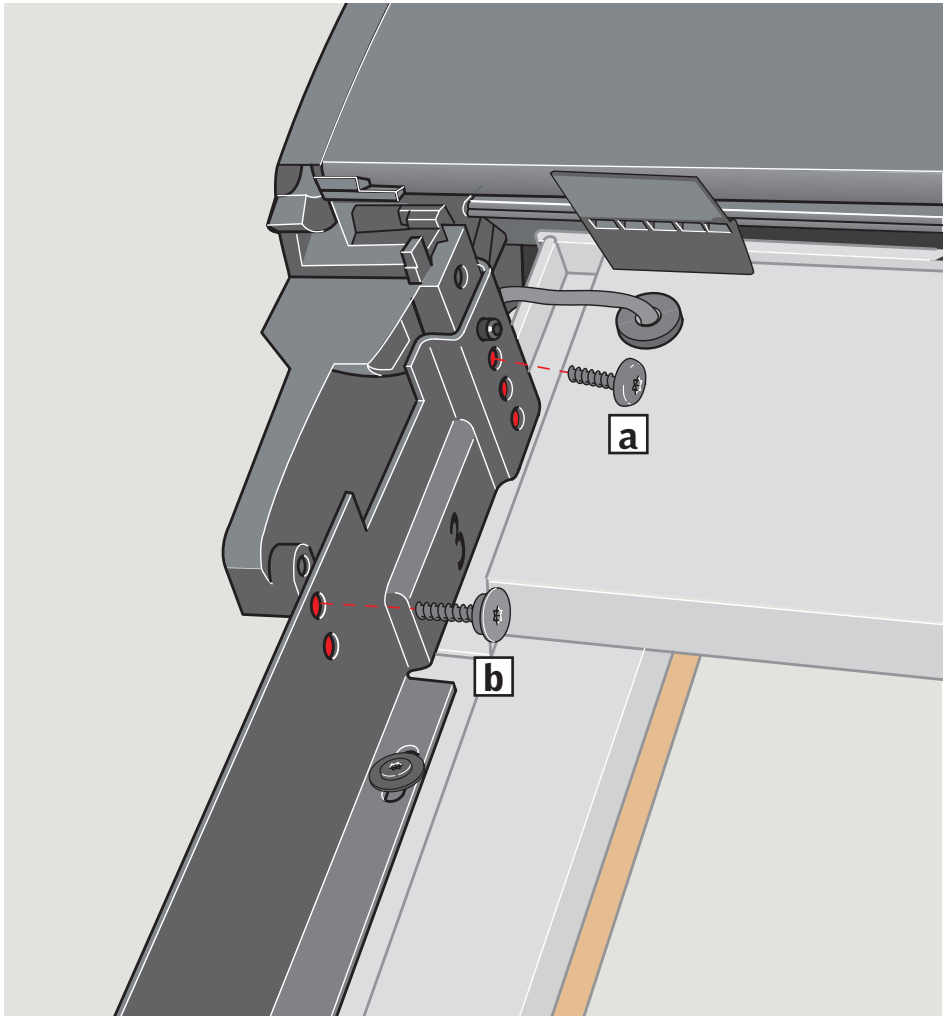




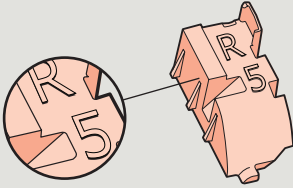
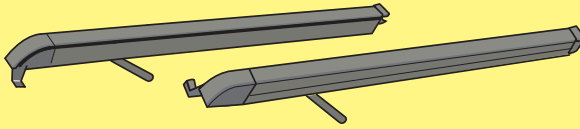


GHL/VTL/GPL/GPU

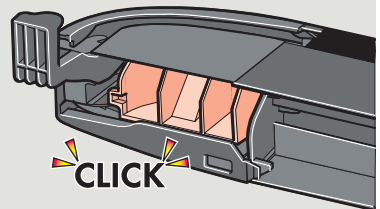
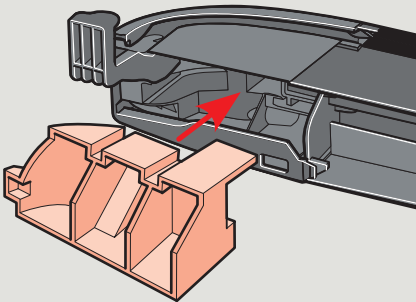
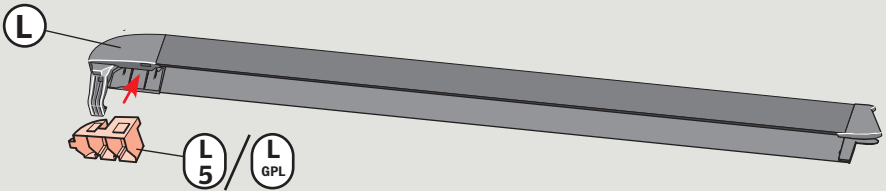
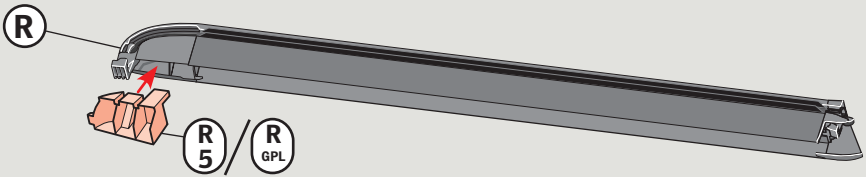
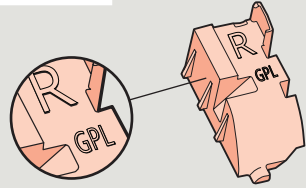




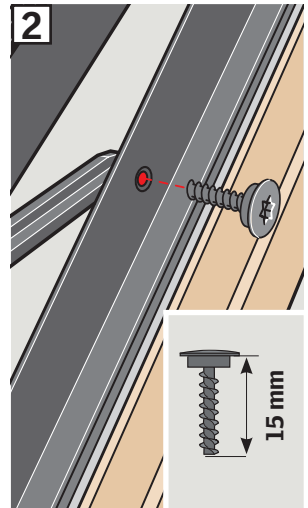
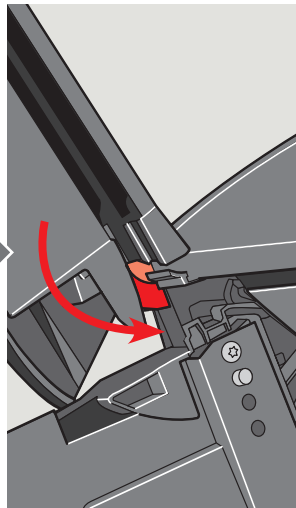
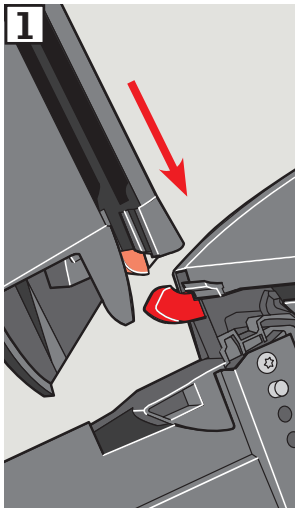
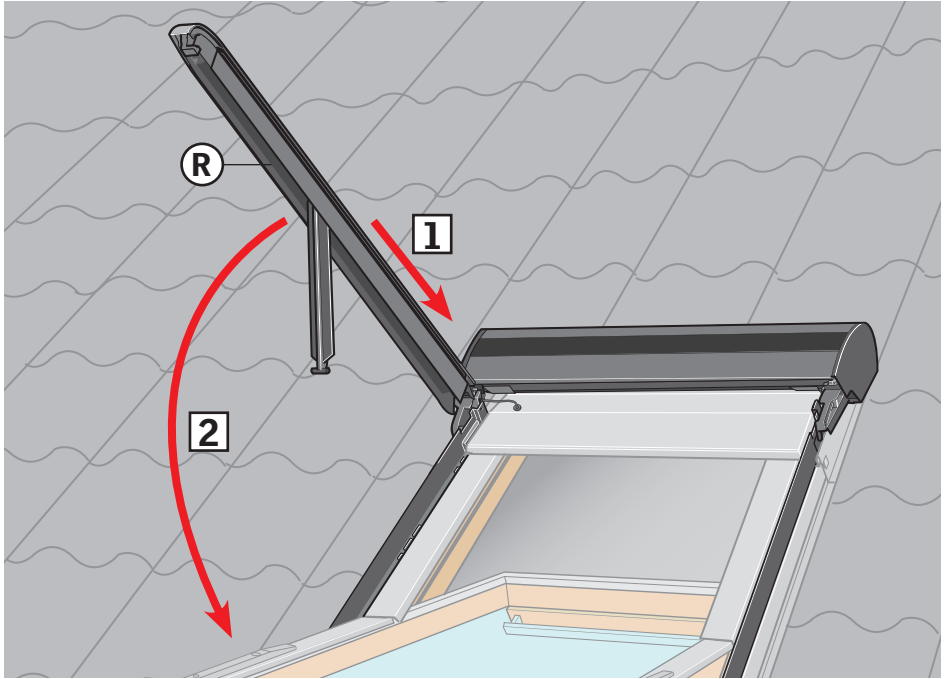
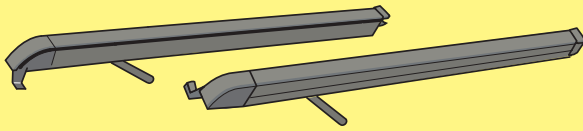
18



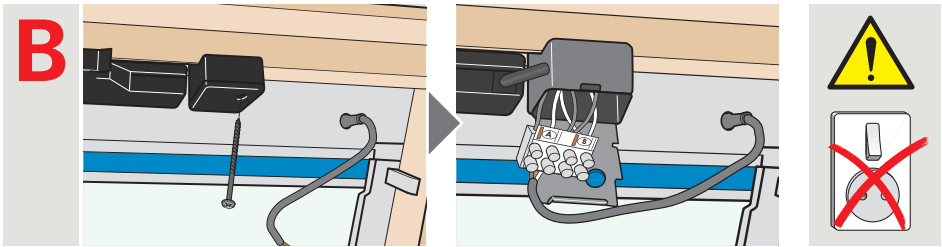
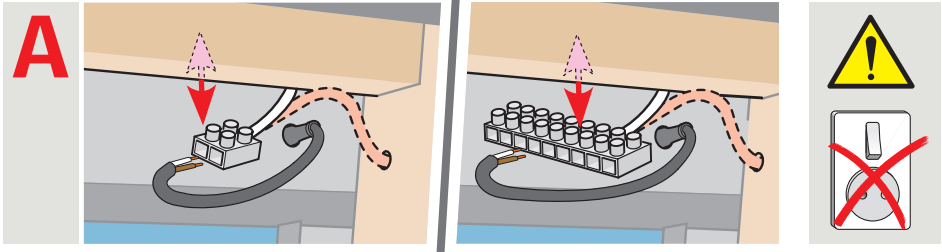
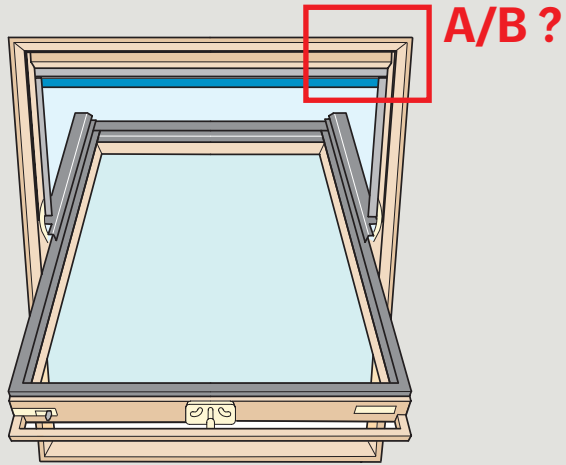
GPL/GPU



19



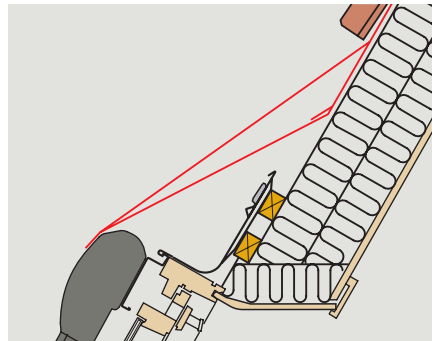
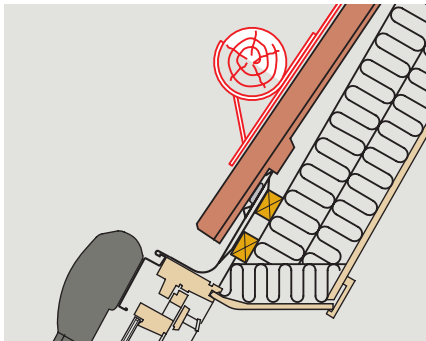
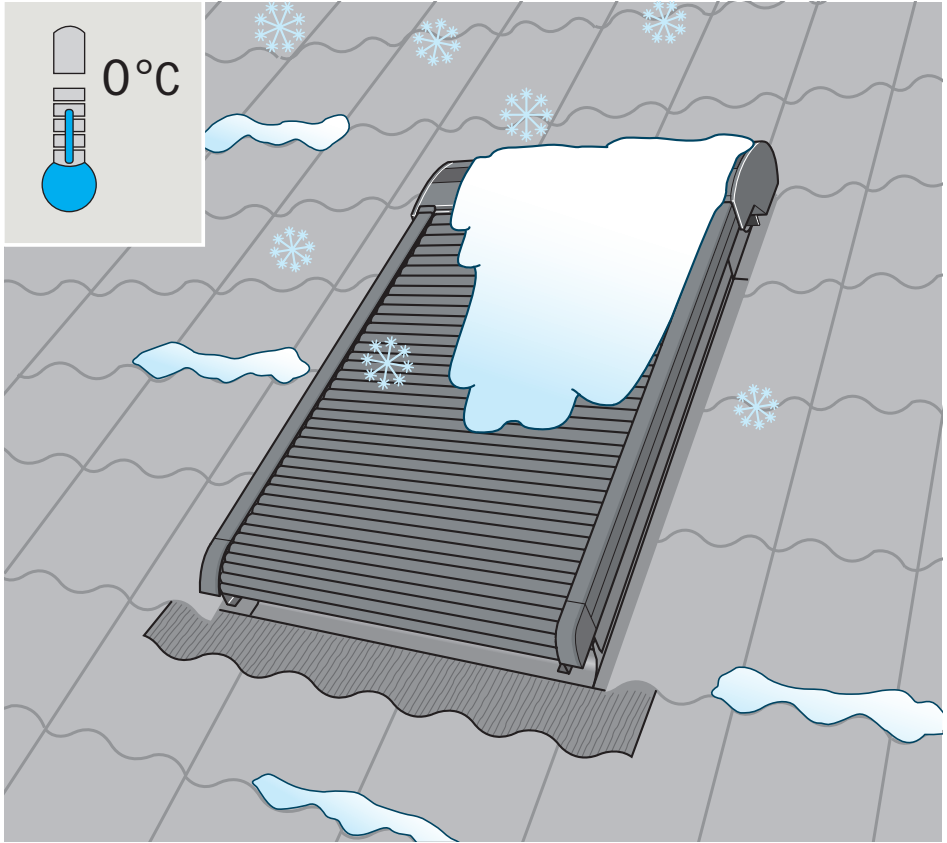
20





www.velux.com/integrasupport

i



- AR:** VELUX Export (VELUX A/S)
+ 45 4516 7885
- AT:** VELUX Österreich GmbH
02245/32 3 50
- AU:** VELUX Australia Pty. Ltd.
1300 859 856
- BA:** VELUX Bosna i Hercegovina d.o.o.
033/626 493, 626 494
- BE:** VELUX Belgium
(010) 42.09.09
- BG:** ВЕЛУКС България ЕООД
02/955 99 30
- BY:** Унитарное предприятие
"ВЕЛЮКС Мансардные Окна"
(017) 329 20 89
- CA:** VELUX Canada Inc.
1 800 88-VELUX (888-3589)
- CH:** VELUX Schweiz AG
062 289 44 45
- CL:** VELUX Export (VELUX A/S)
+ 45 4516 7885
- CN:** VELUX (CHINA) CO. LTD.
0316-607 27 27
- CZ:** VELUX Česká republika, s.r.o.
531 015 511
- DE:** VELUX Deutschland GmbH
040 / 54 70 70
- DK:** VELUX Danmark A/S
45 16 45 16
- EE:** VELUX Eesti OÜ
621 7790
- ES:** VELUX Spain, S.A.U.
91 509 71 00
- FI:** VELUX Suomi Oy
0207 290 800
- FR:** VELUX France
0806 80 15 15
Service gratuit + prix appel
- GB:** VELUX Company Ltd.
01592 778 225
- HR:** VELUX Hrvatska d.o.o.
01/5555 444
- HU:** VELUX Magyarország Kft.
(06/1) 436-0601
- IE:** VELUX Company Ltd.
01 848 8775
- IT:** VELUX Italia s.p.a.
045/6173666
- JP:** VELUX-Japan Ltd.
0570-00-8141
- KR:** VELUX Export (VELUX A/S)
+ 45 4516 7885
- LT:** VELUX Lietuva, UAB
(85) 270 91 01
- LV:** VELUX Latvia SIA
67 27 77 33
- NL:** VELUX Nederland B.V.
030 - 6 629 629
- NO:** VELUX Norge AS
22 51 06 00
- NZ:** VELUX New Zealand Ltd.
0800 650 445
- PL:** VELUX Polska Sp. z o.o.
(022) 33 77 000 / 33 77 070
- PT:** VELUX Portugal, Lda
21 880 00 60
- RO:** VELUX România S.R.L.
0268-402740
- RS:** VELUX Srbija d.o.o.
011 20 57 500
- RU:** ЗАО ВЕЛЮКС
(495) 640 87 20
- SE:** VELUX Svenska AB
042/20 83 80
- SI:** VELUX Slovenija d.o.o.
01 724 68 68
- SK:** VELUX Slovensko, s.r.o.
(02) 33 000 555
- TR:** VELUX Çatı Pencereleri
Ticaret Limited Şirketi
0 216 302 54 10
- UA:** ТОВ "ВЕЛЮКС Україна"
(044) 2916070
- US:** VELUX America LLC
1-800-88-VELUX