

VELUX®

GGL-B



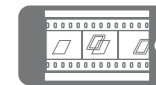
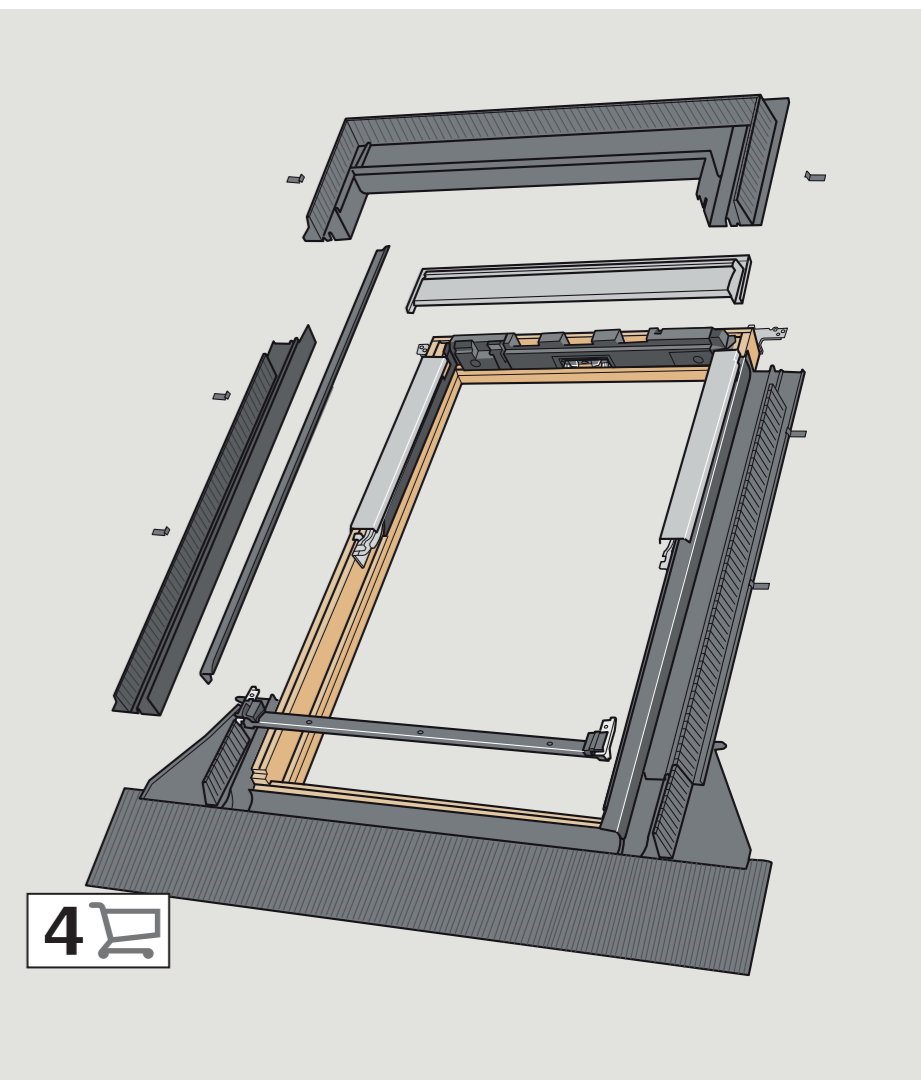
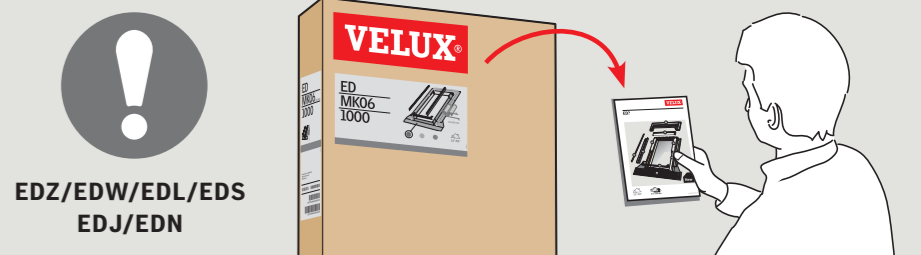
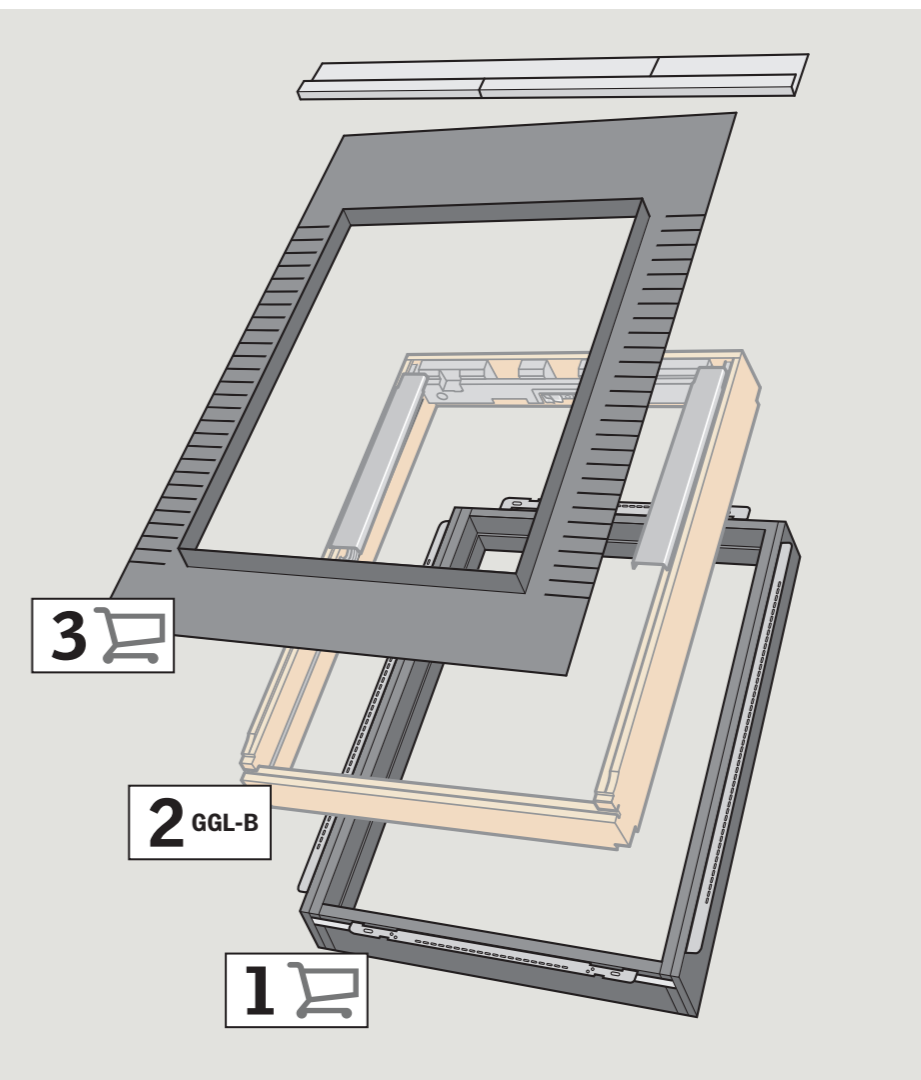
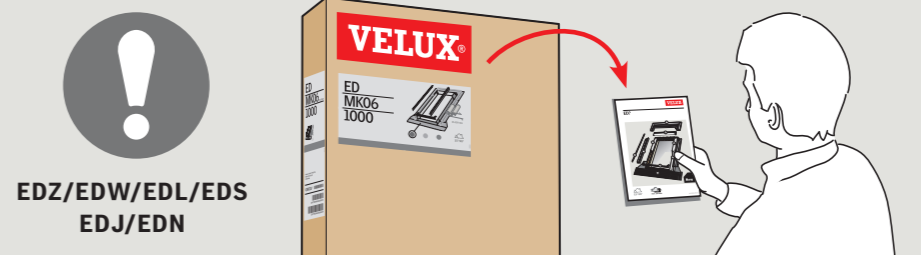
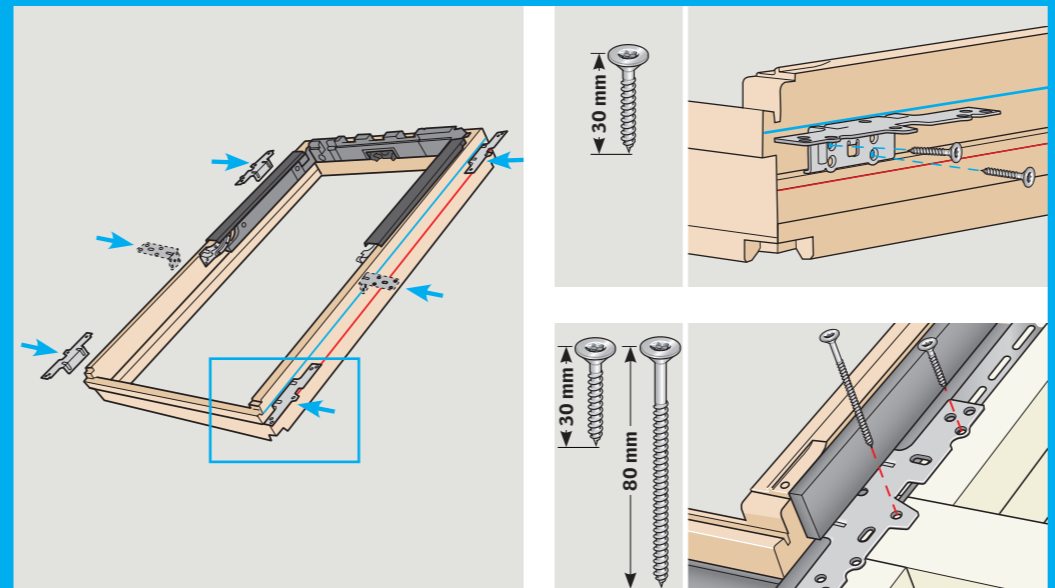
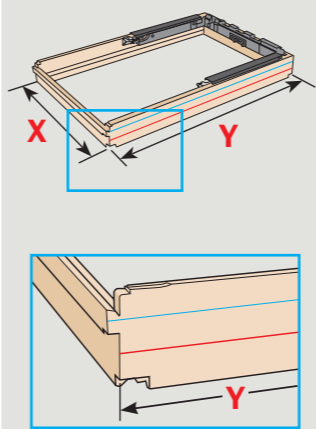
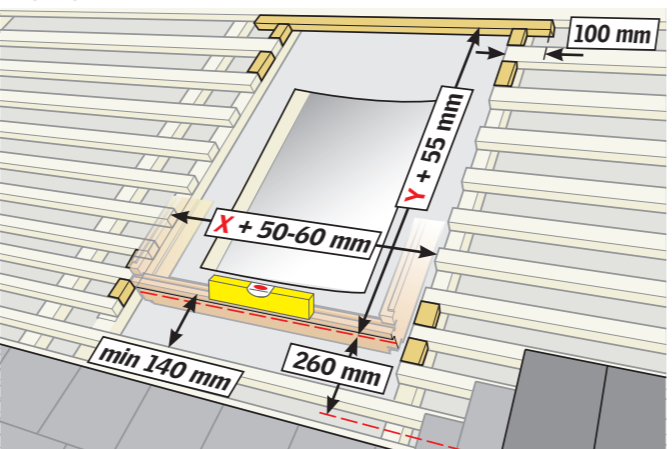
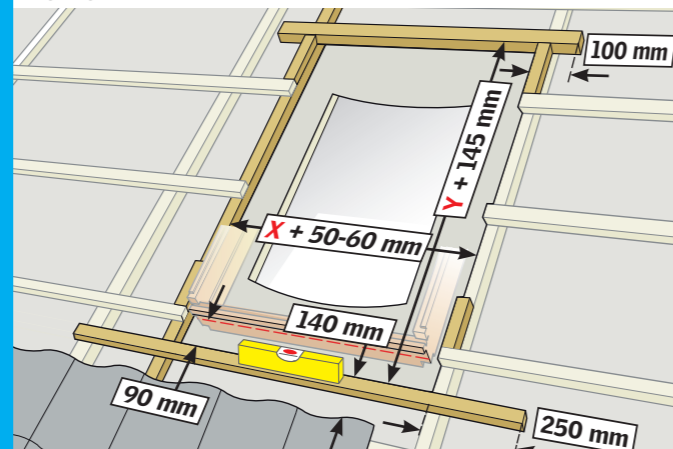
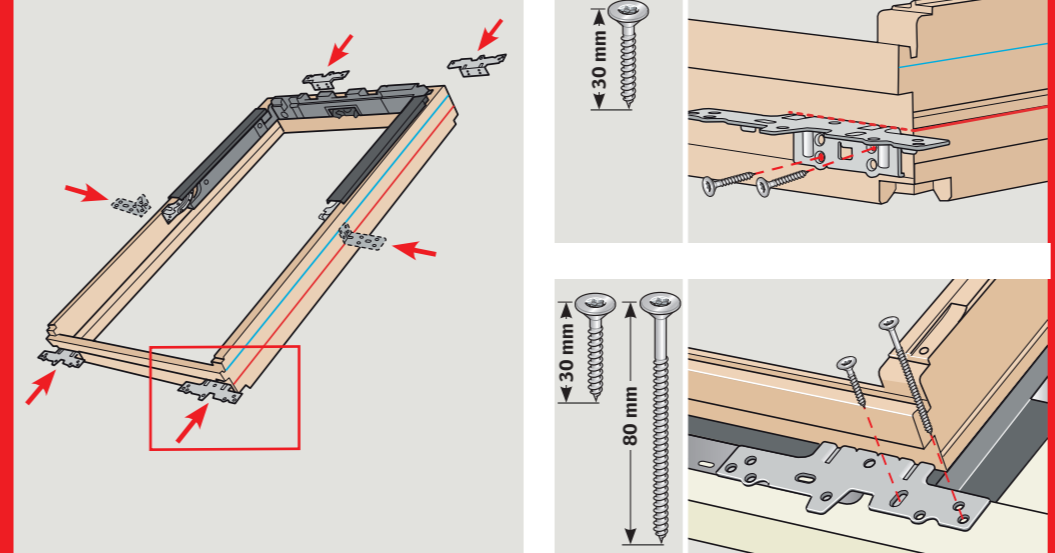
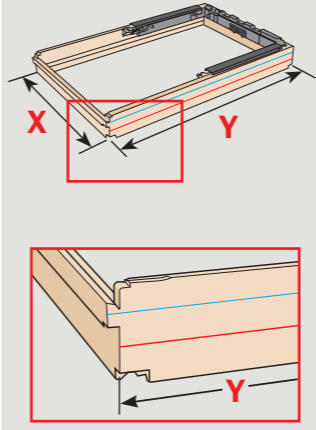
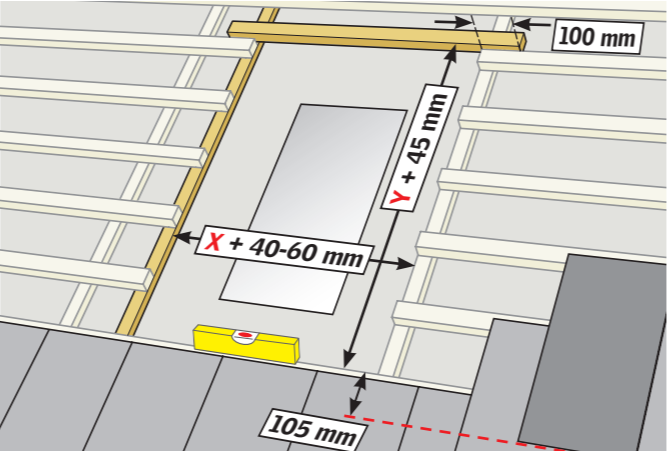
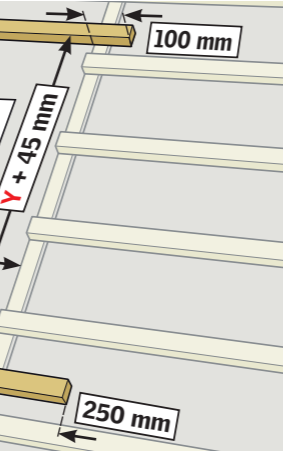
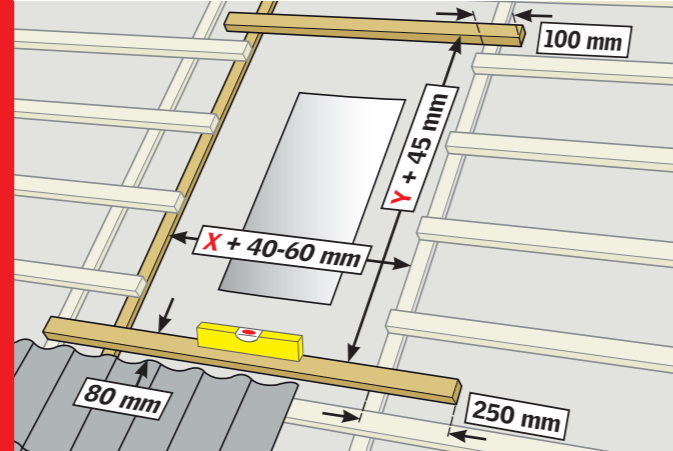
ED? ■

ED? ■

EDZ
EDW
EDL
EDS



EDJ
EDN



VAS 454842-2026-03

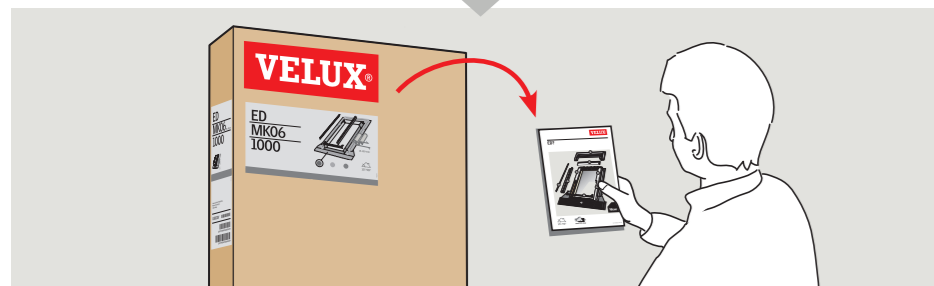
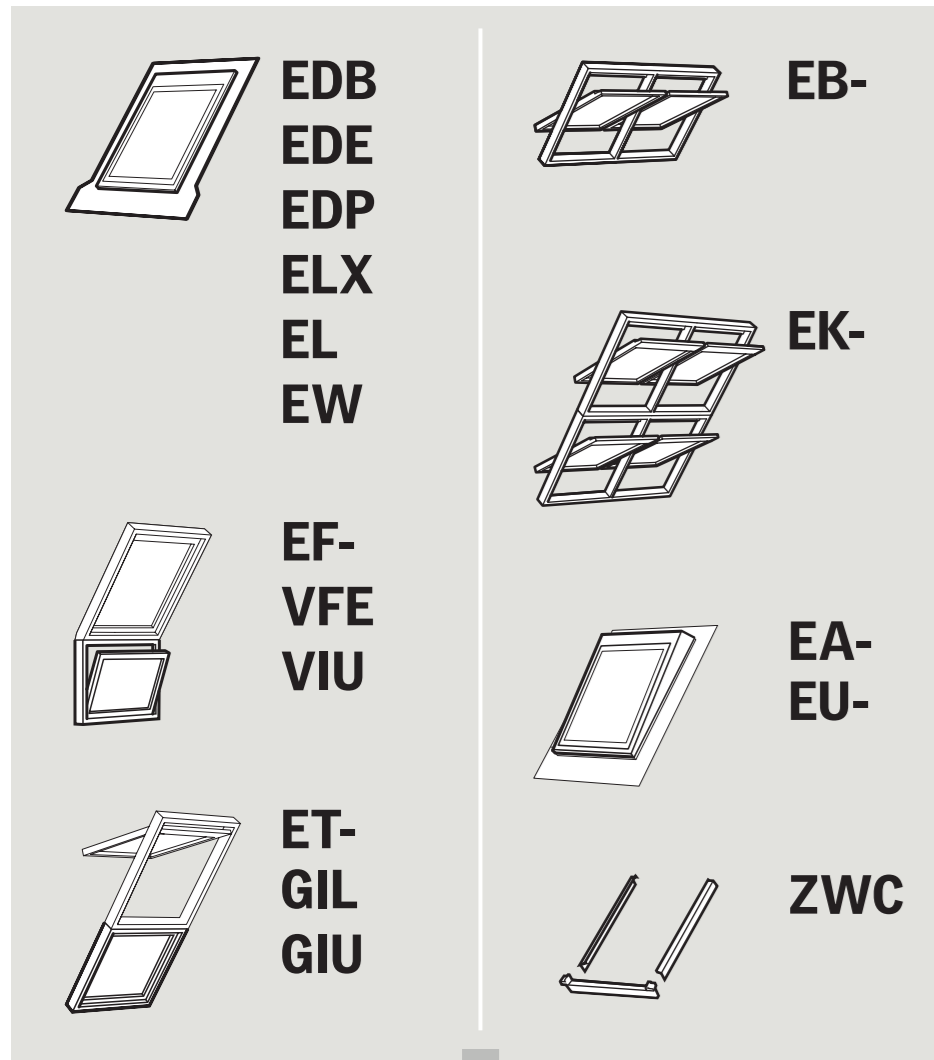
VELUX® 2

VELUX® 3

VELUX® 4

VELUX® 5

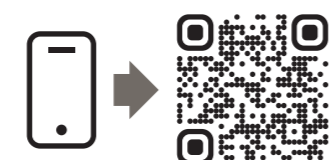
VELUX® 6



VELUX® 7

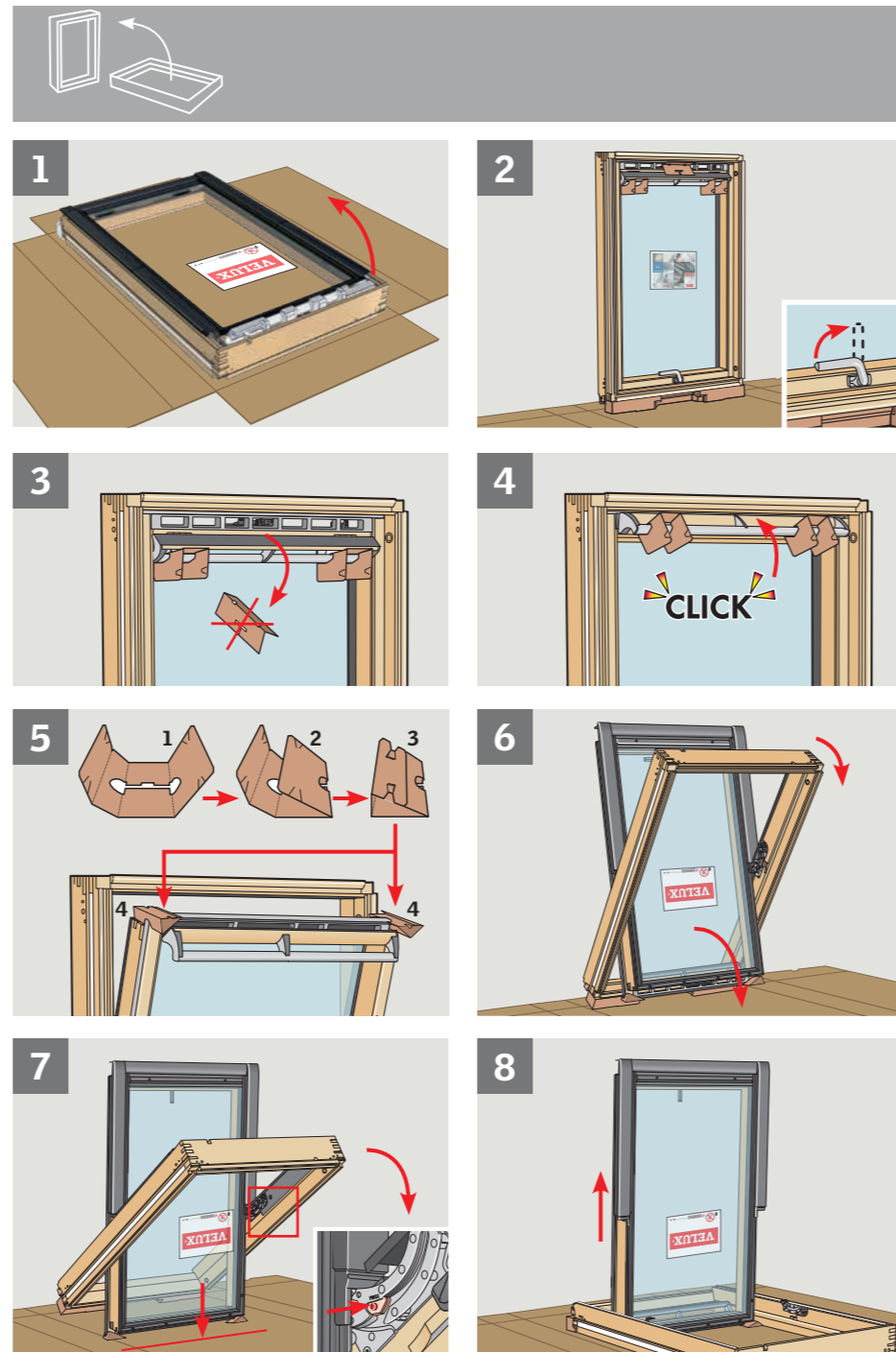


www.velux.com

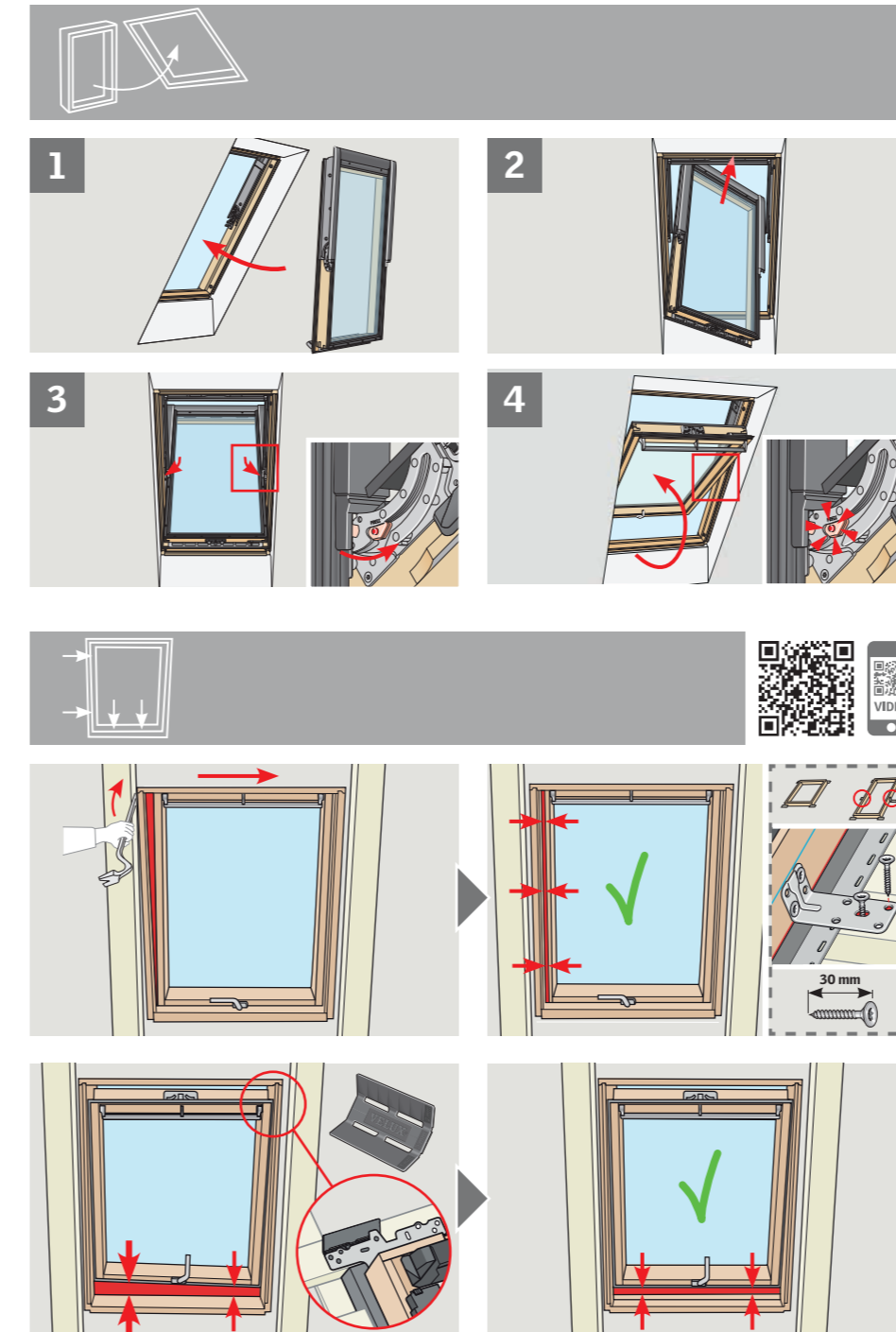


velux.com/contact

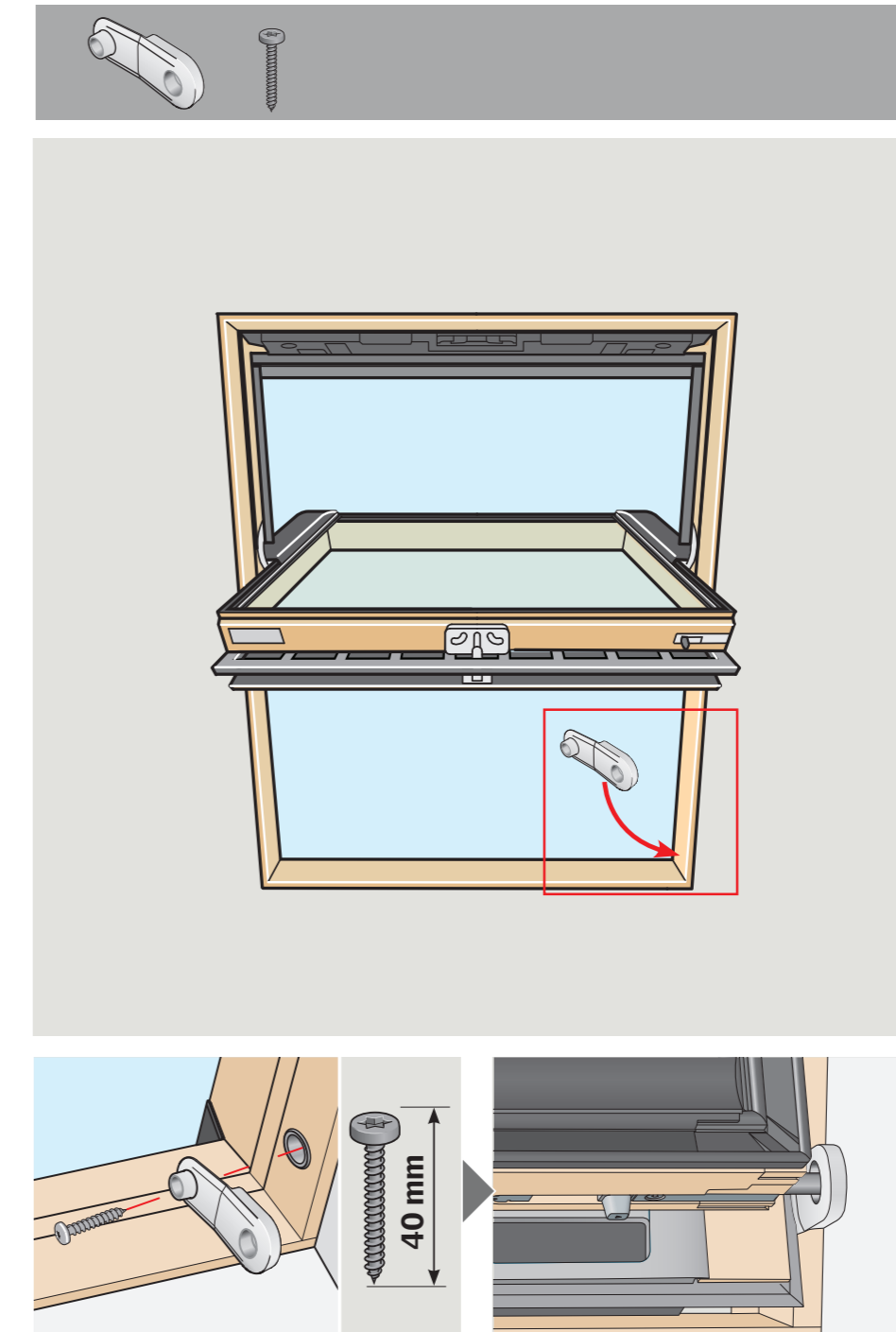
INSTALLATION INSTRUCTIONS FOR GGL-B, © 2021, 2020 VELUX GROUP. VELUX AND THE VELUX LOGO ARE REGISTERED TRADEMARKS USED UNDER LICENSE BY THE VELUX GROUP.



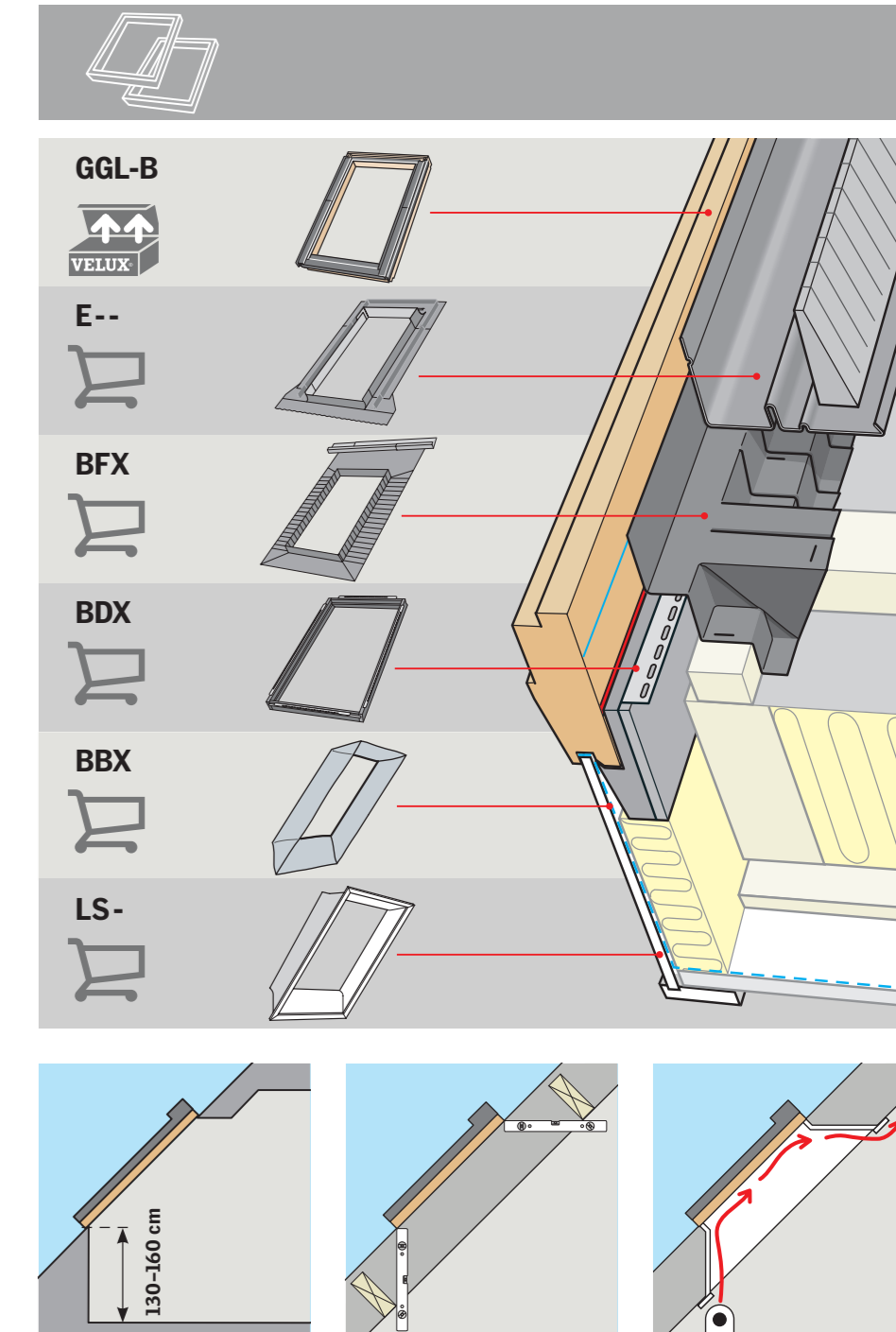
VELUX® 9



VELUX® 10



VELUX® 11



VELUX® 12