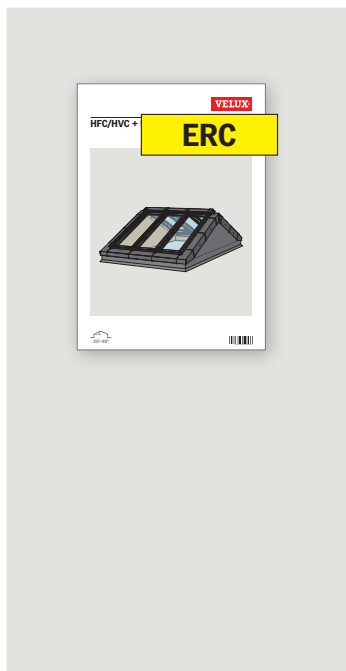
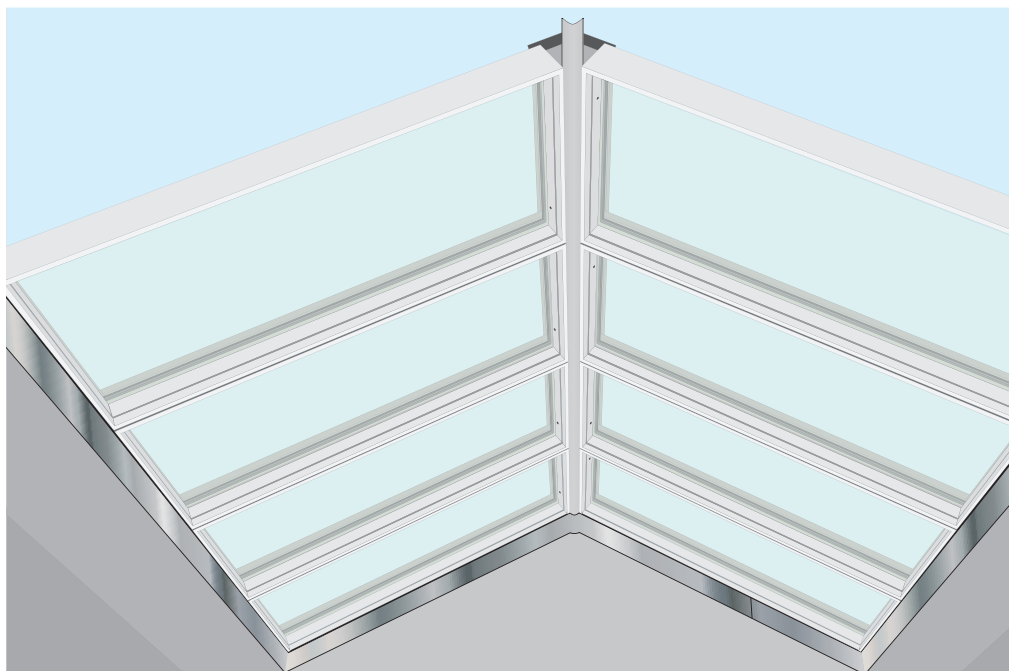
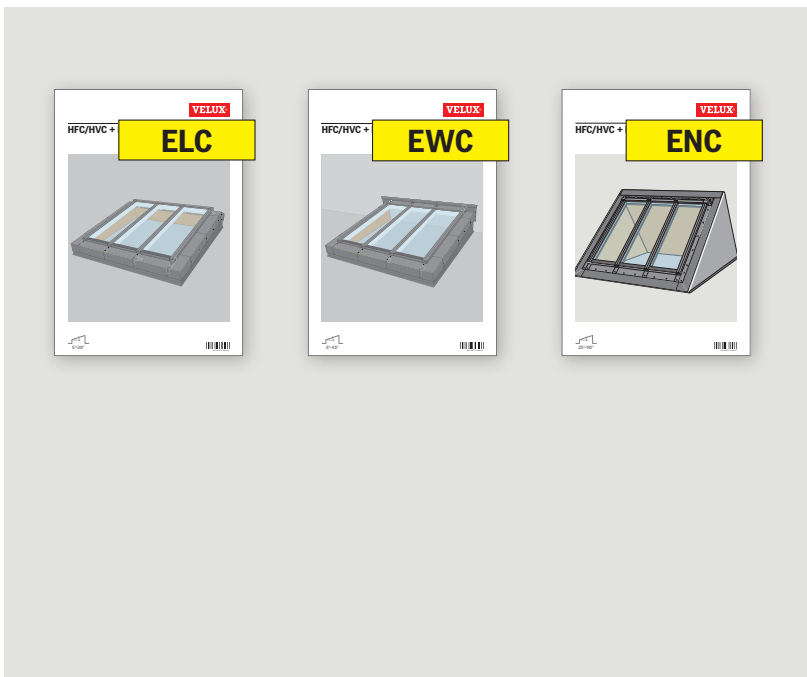
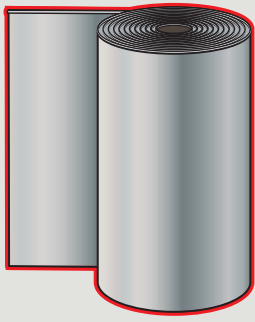
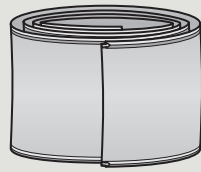


HFC/HVC + BSX + ZZZ 254 + ZZZ 255

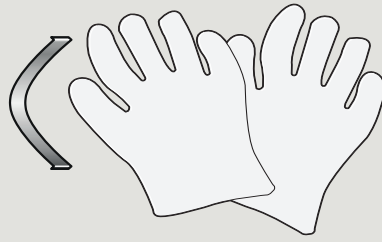




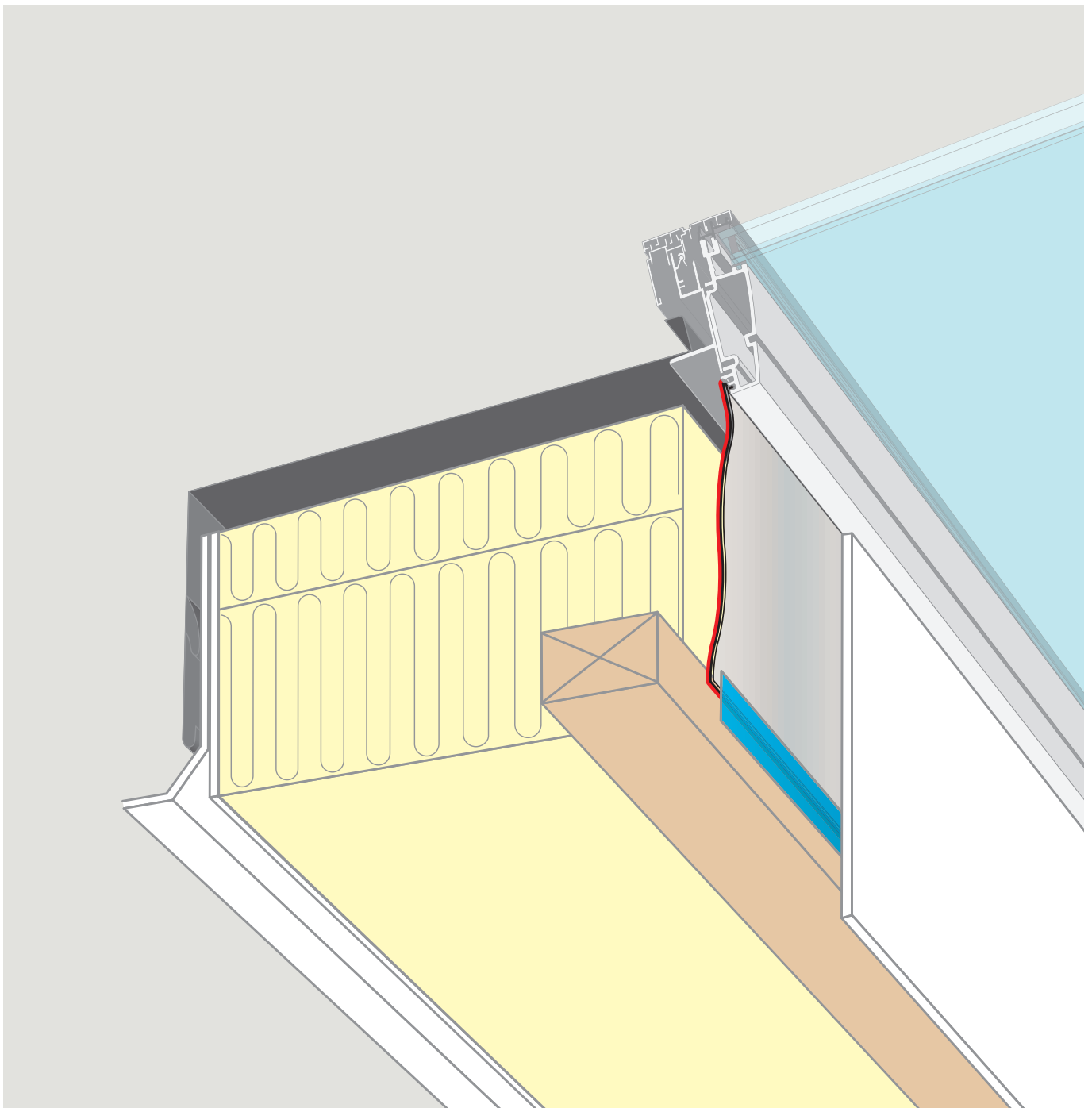
BSX

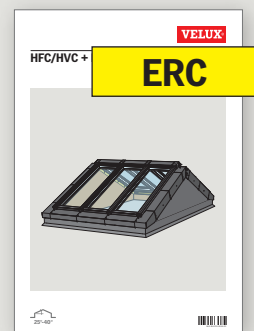
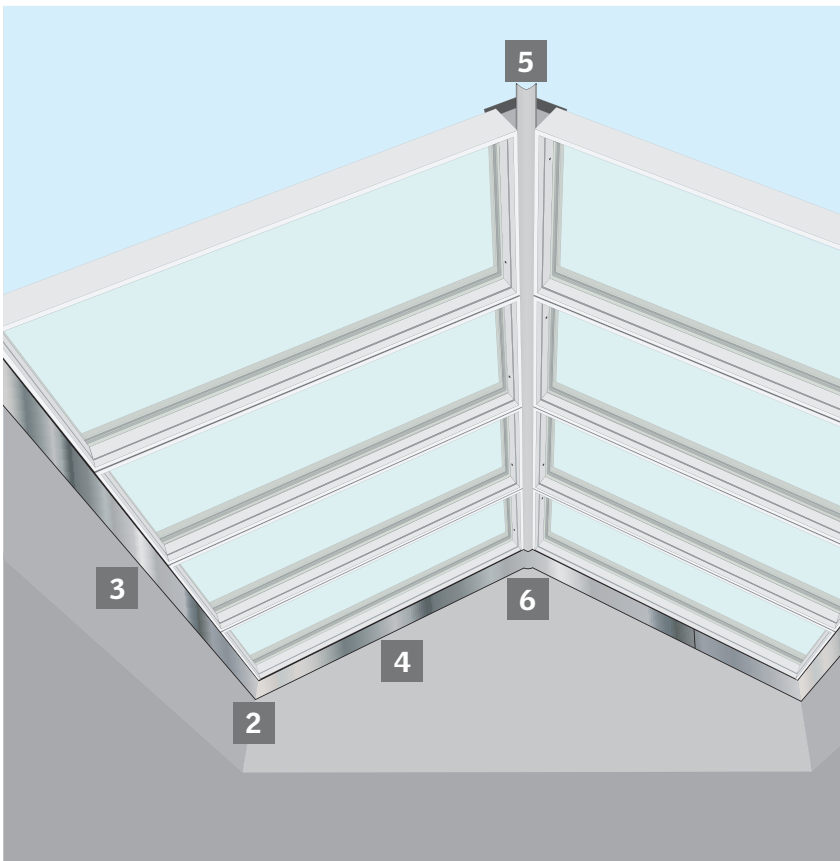
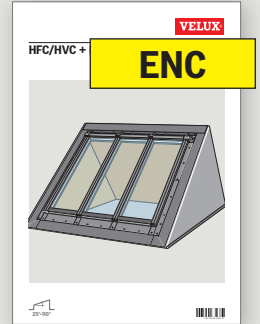
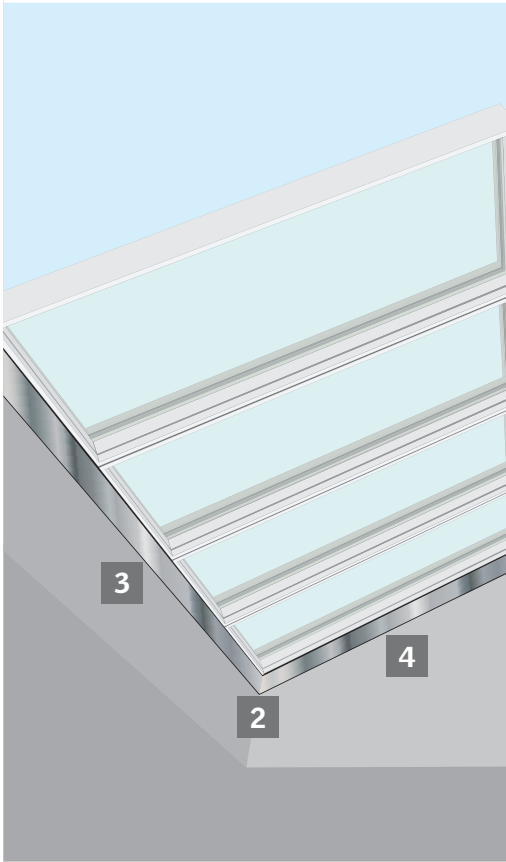


ZZZ 254

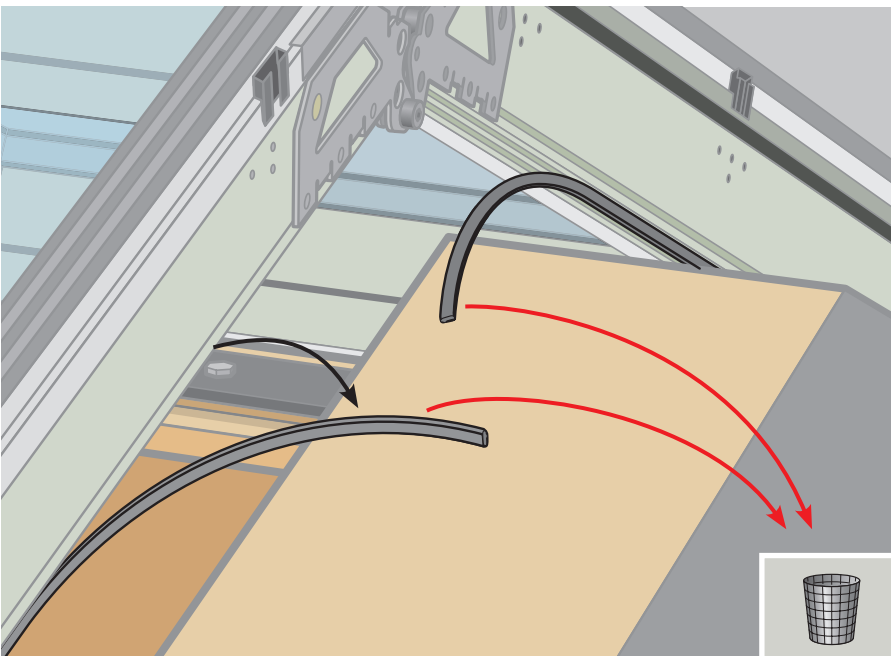
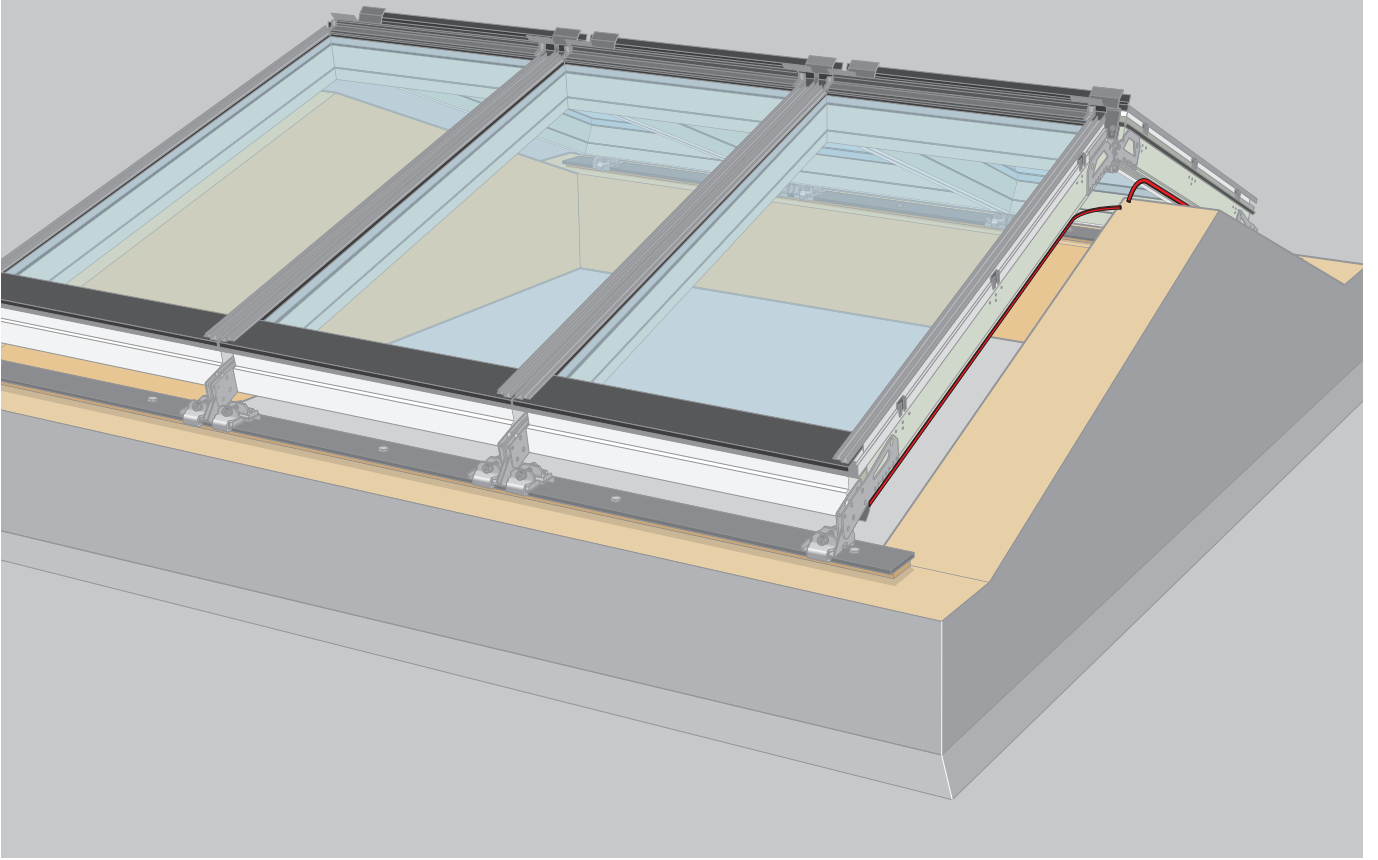


ZZZ 255

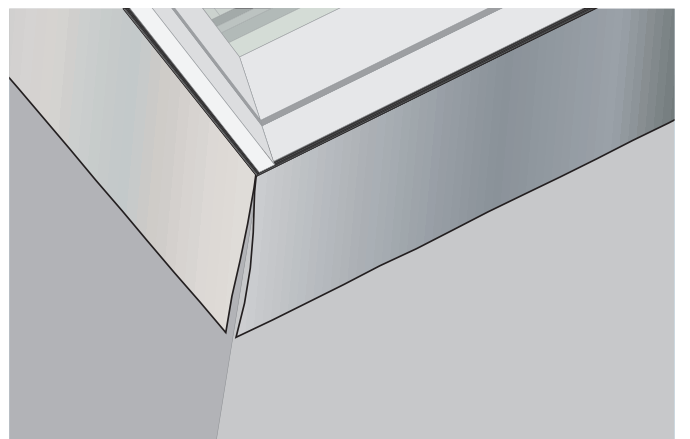
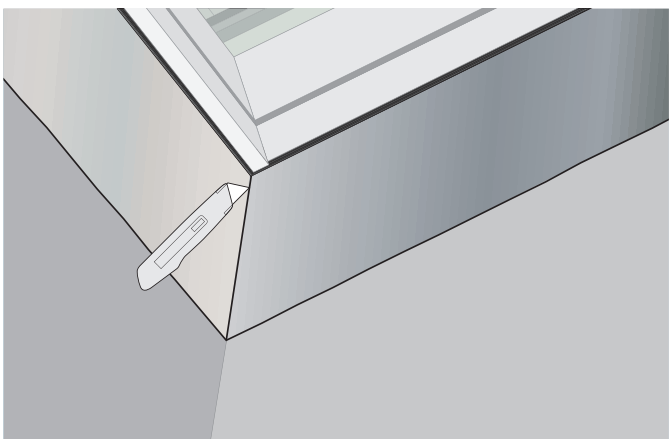
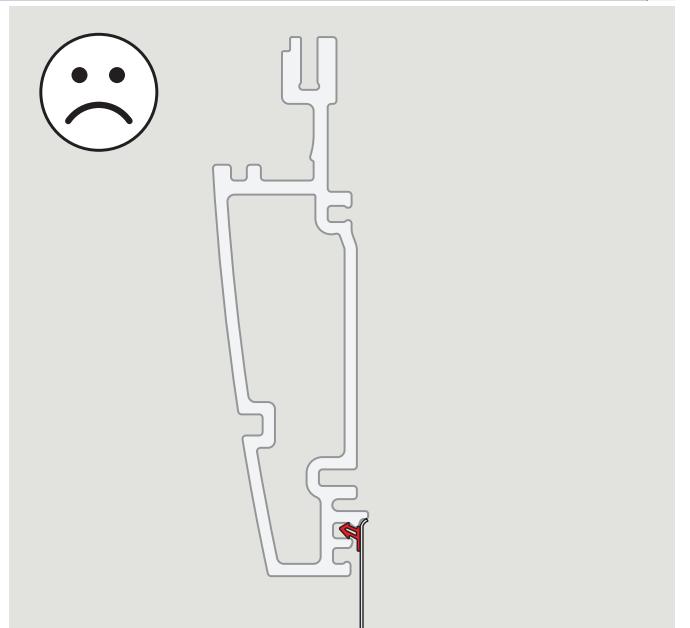
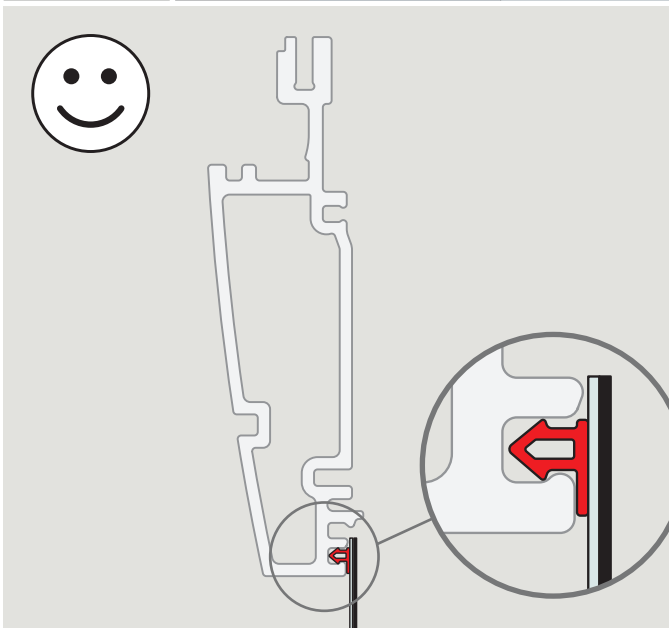
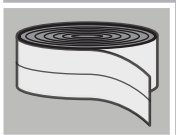
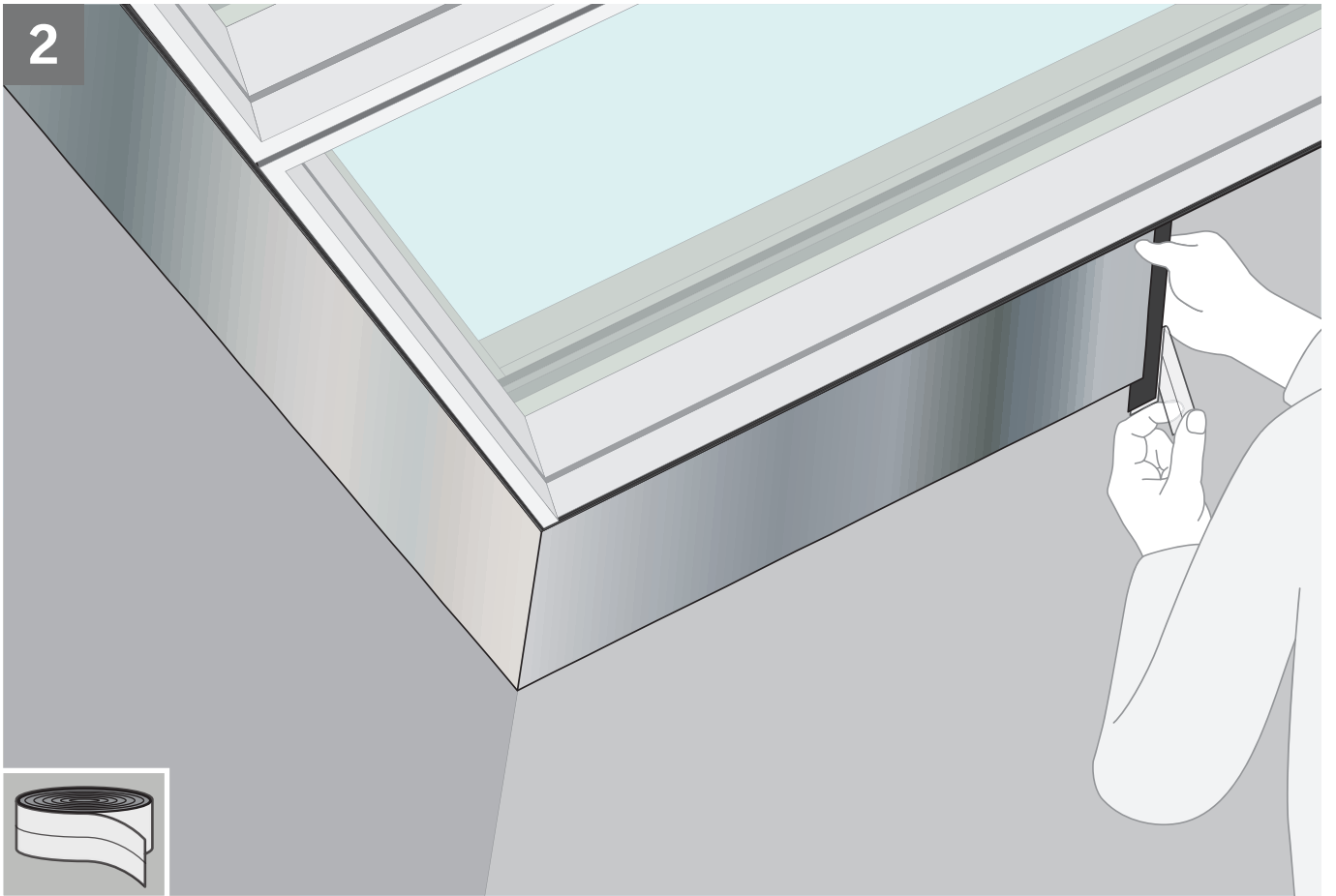


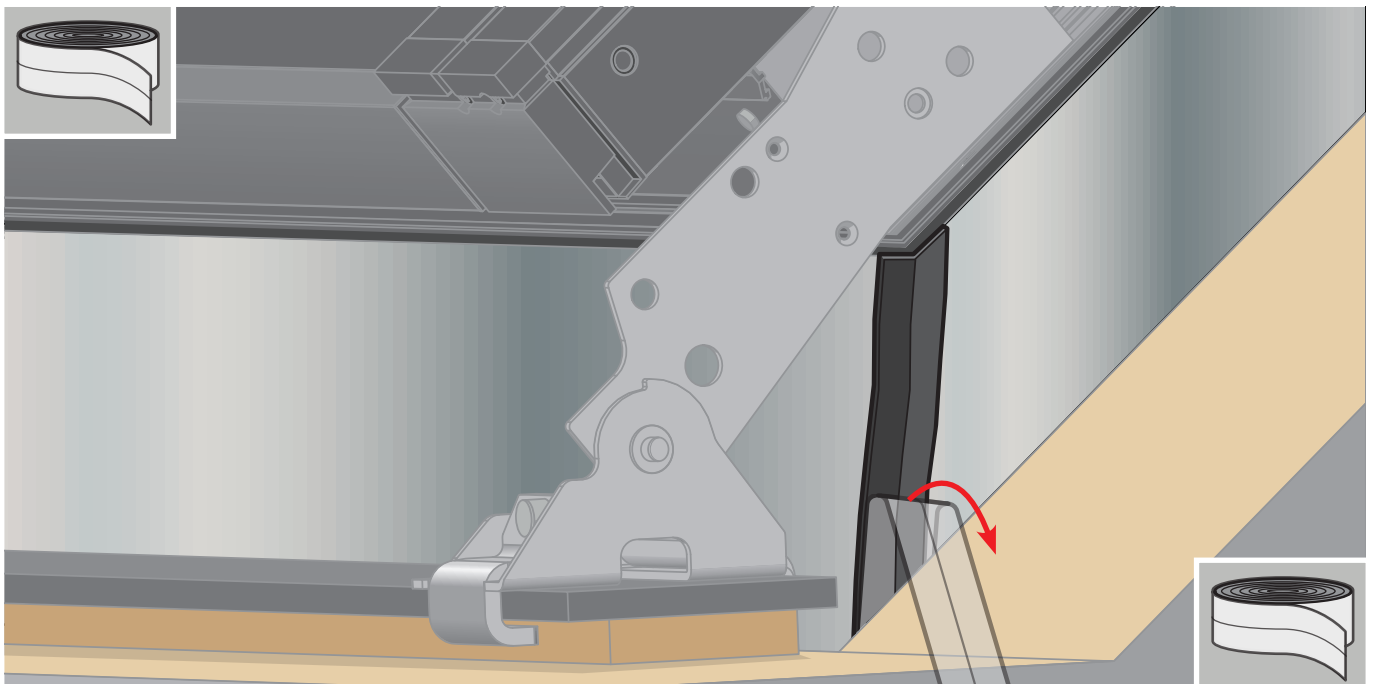
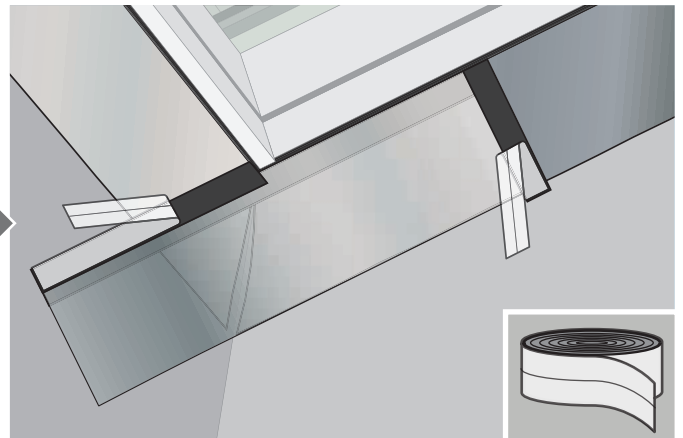
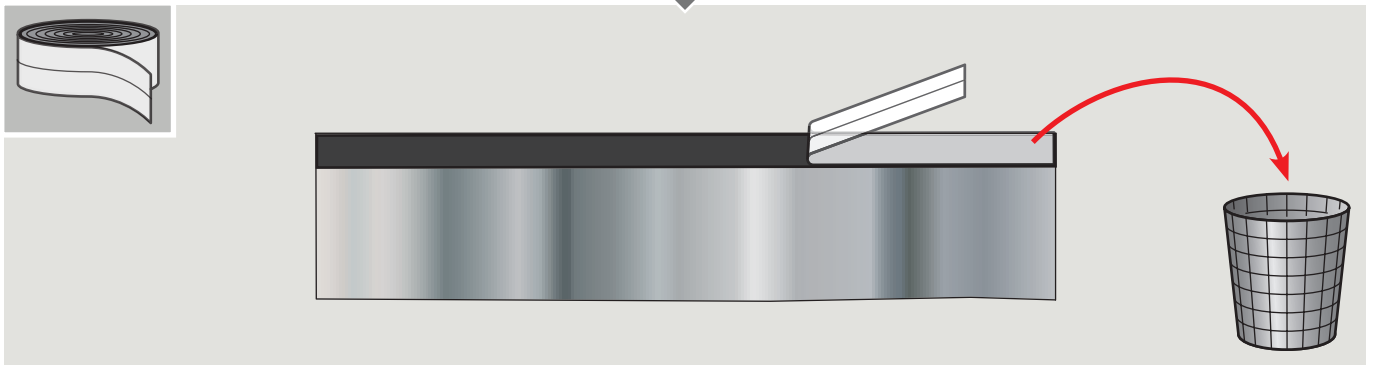
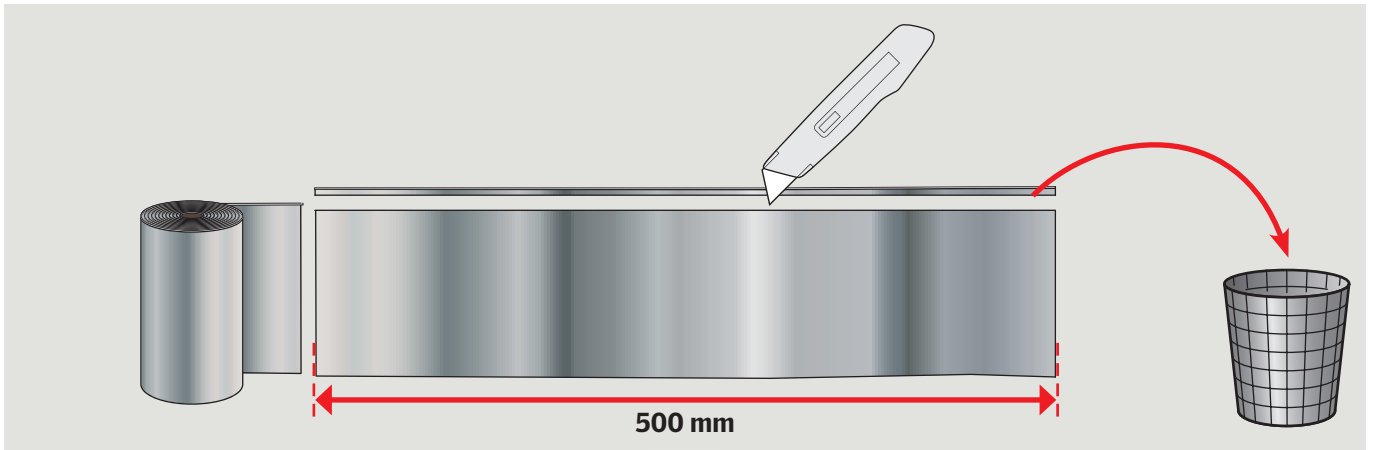


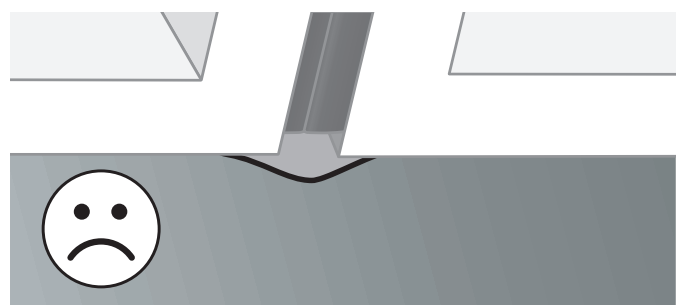
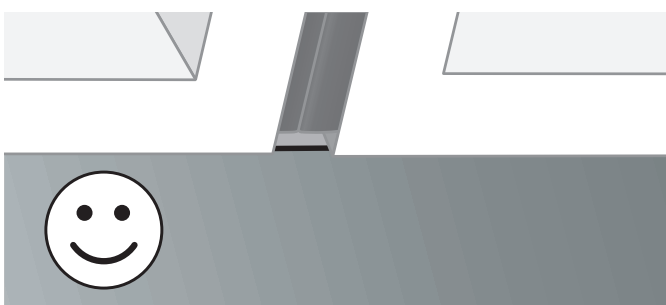
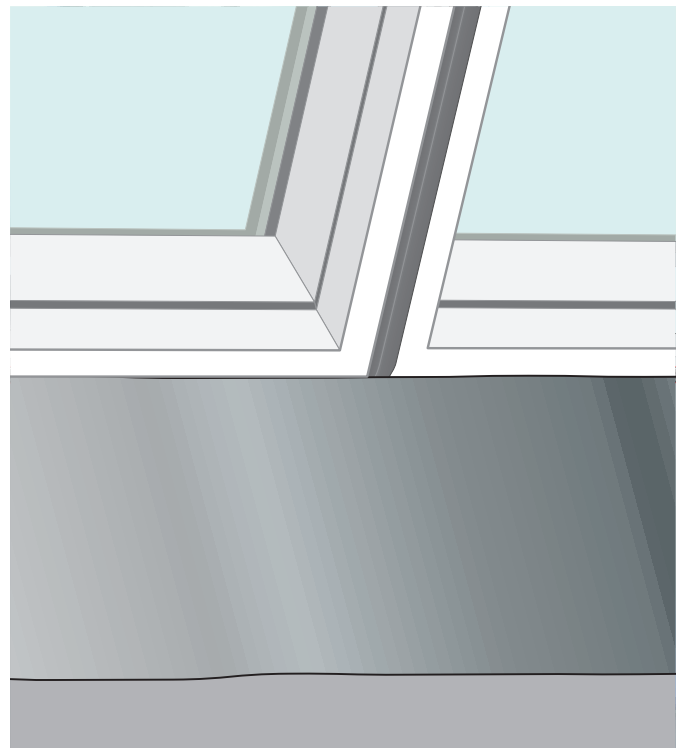
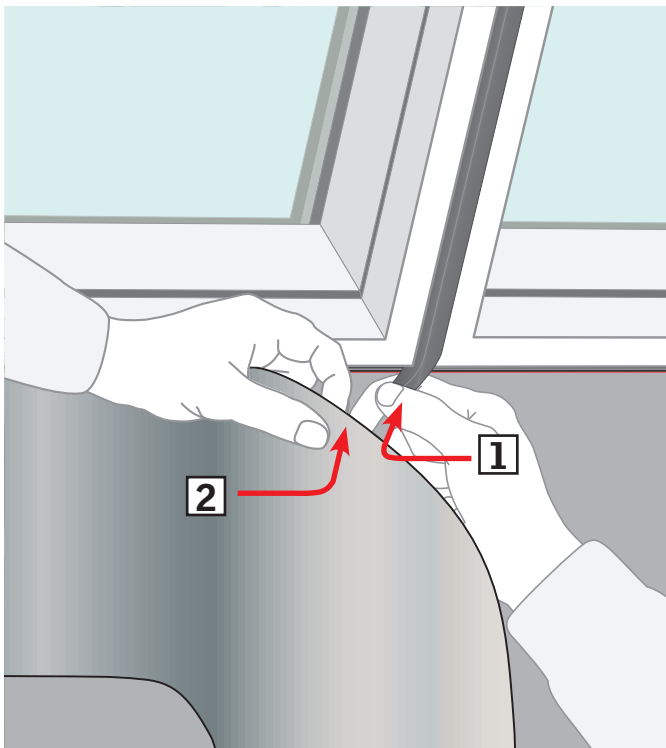
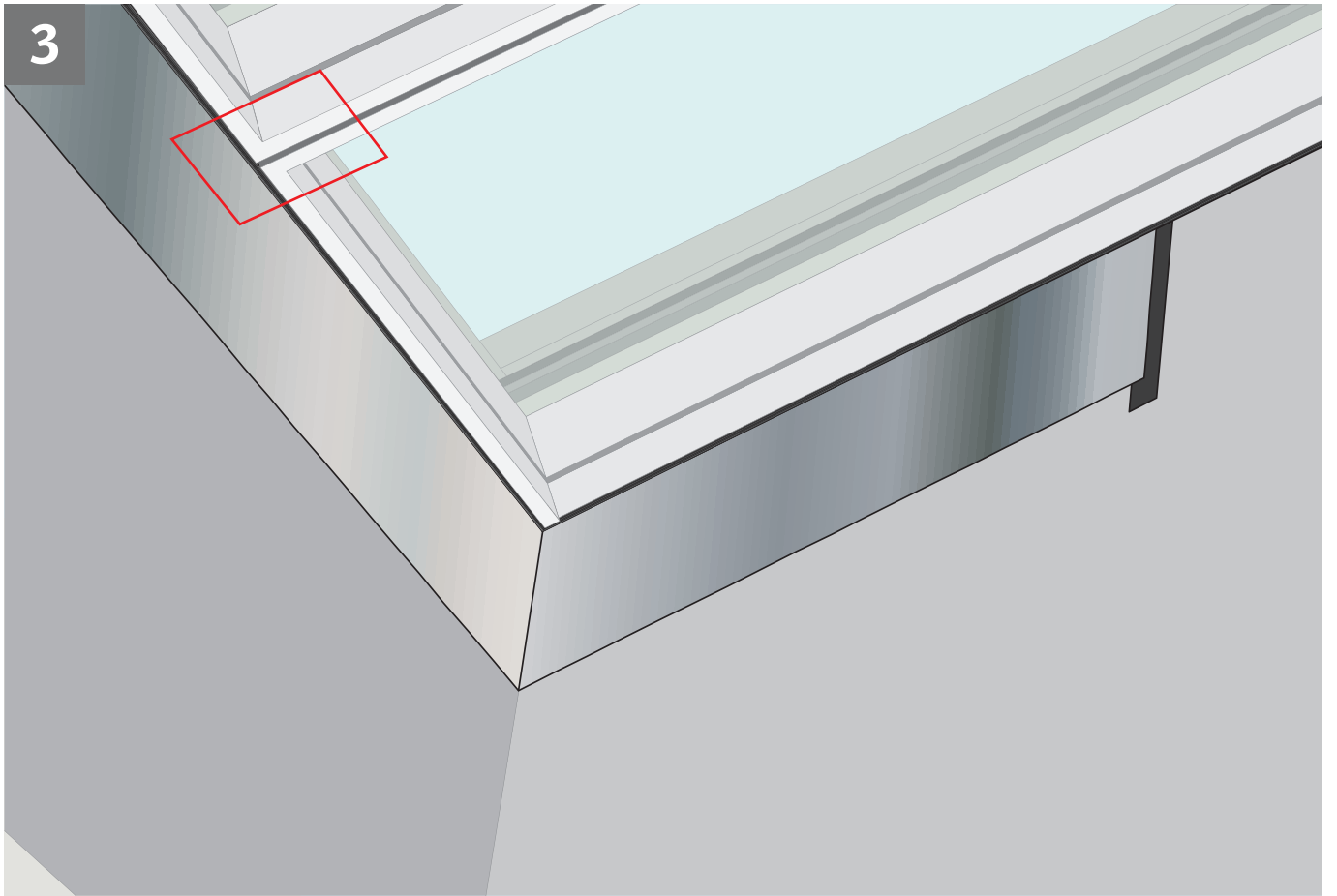
1



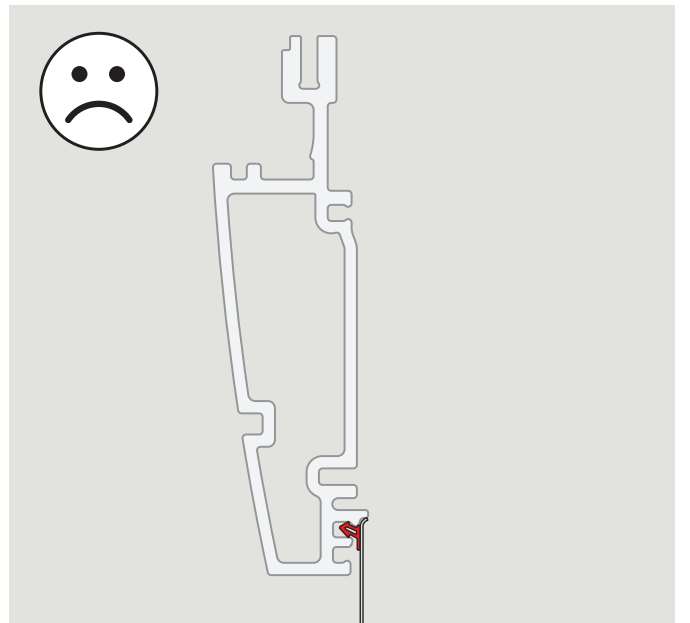
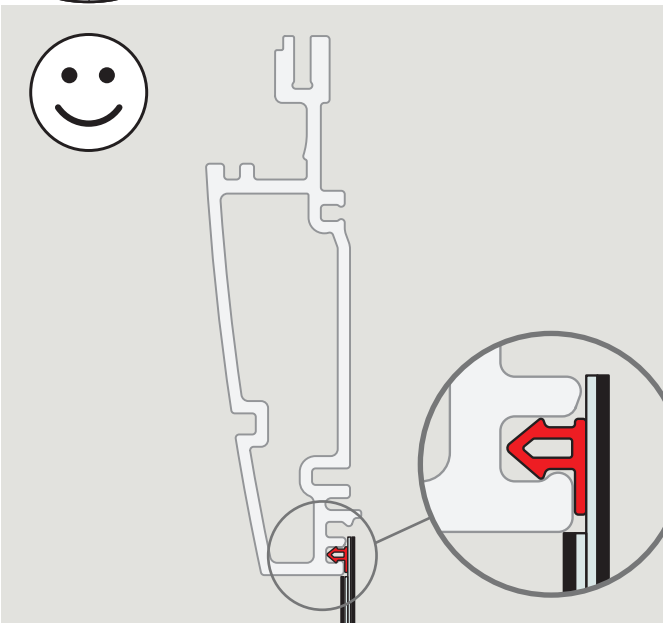
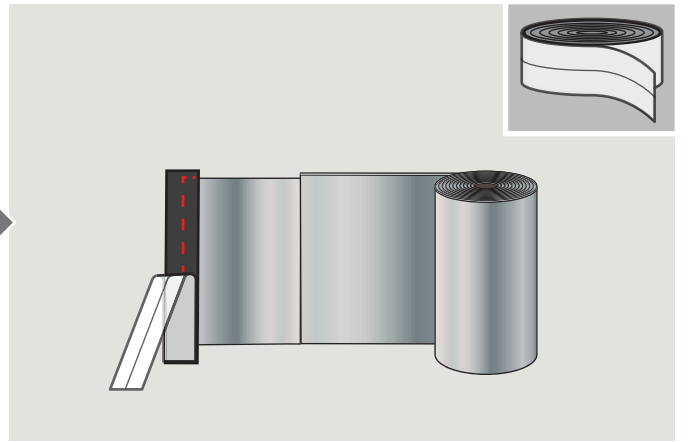
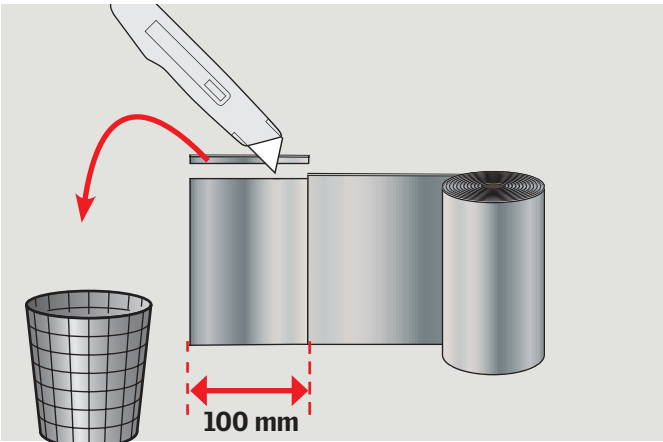
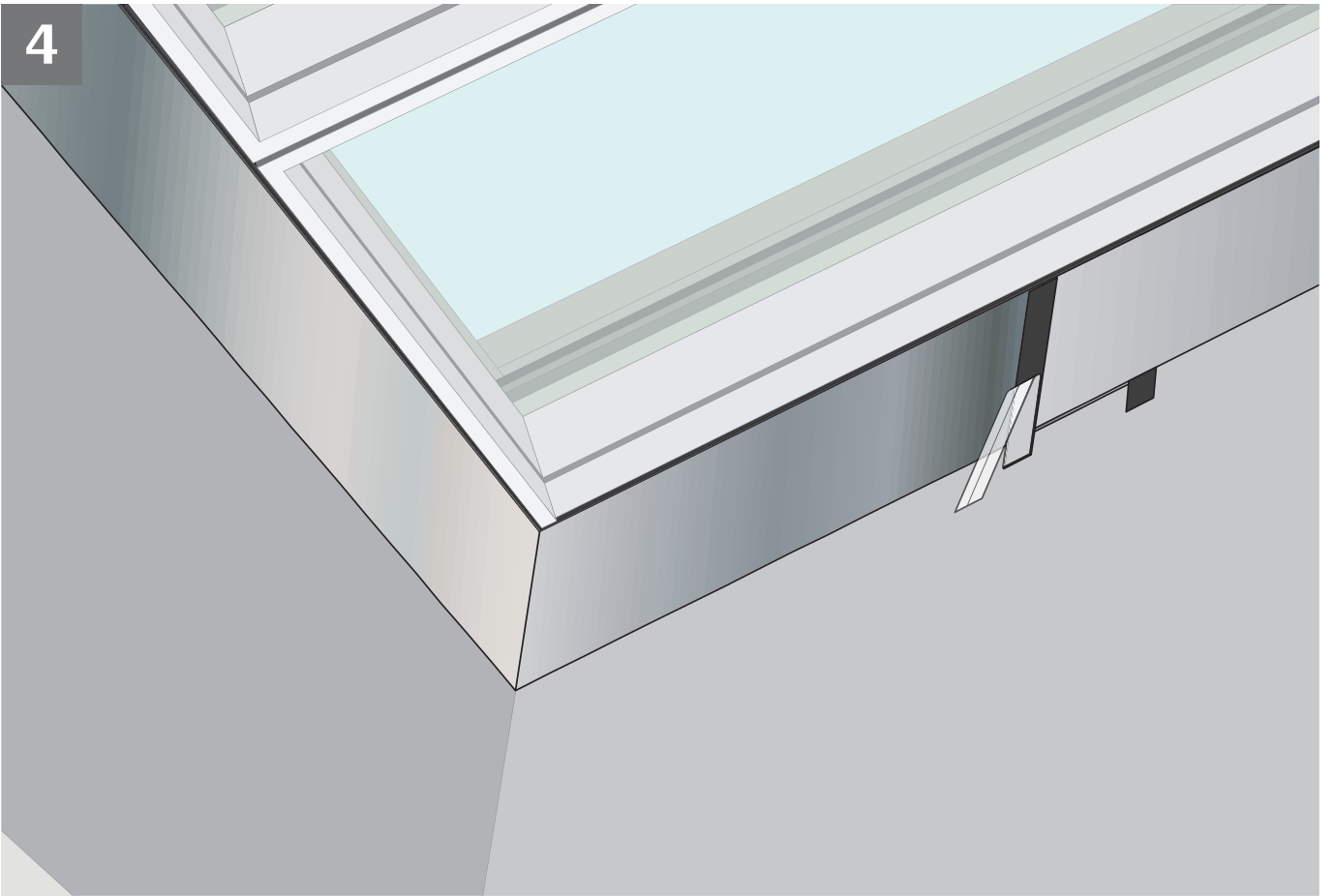
2



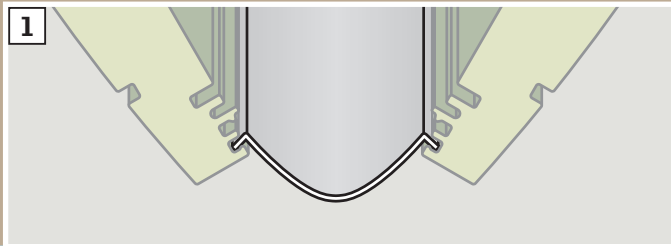
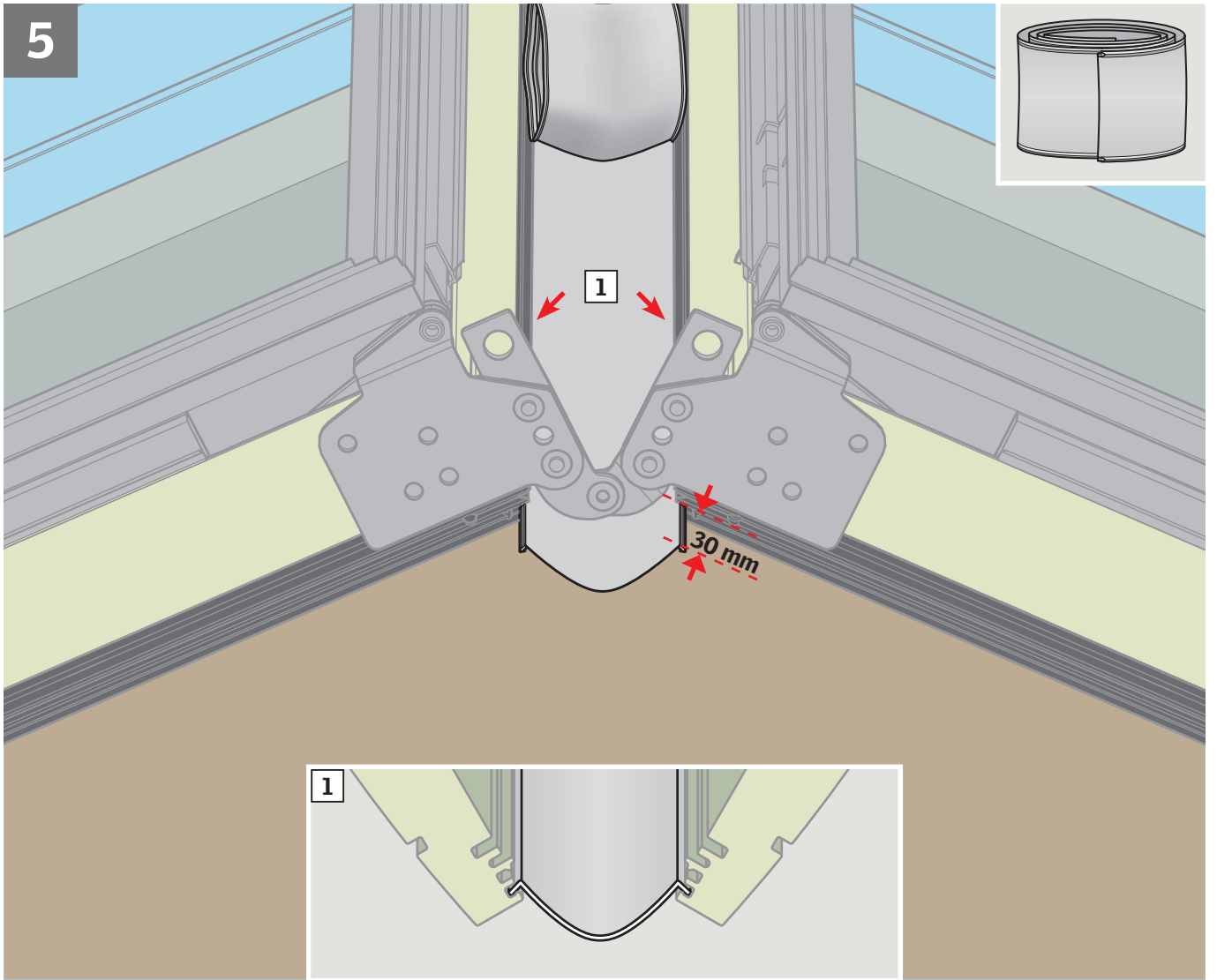


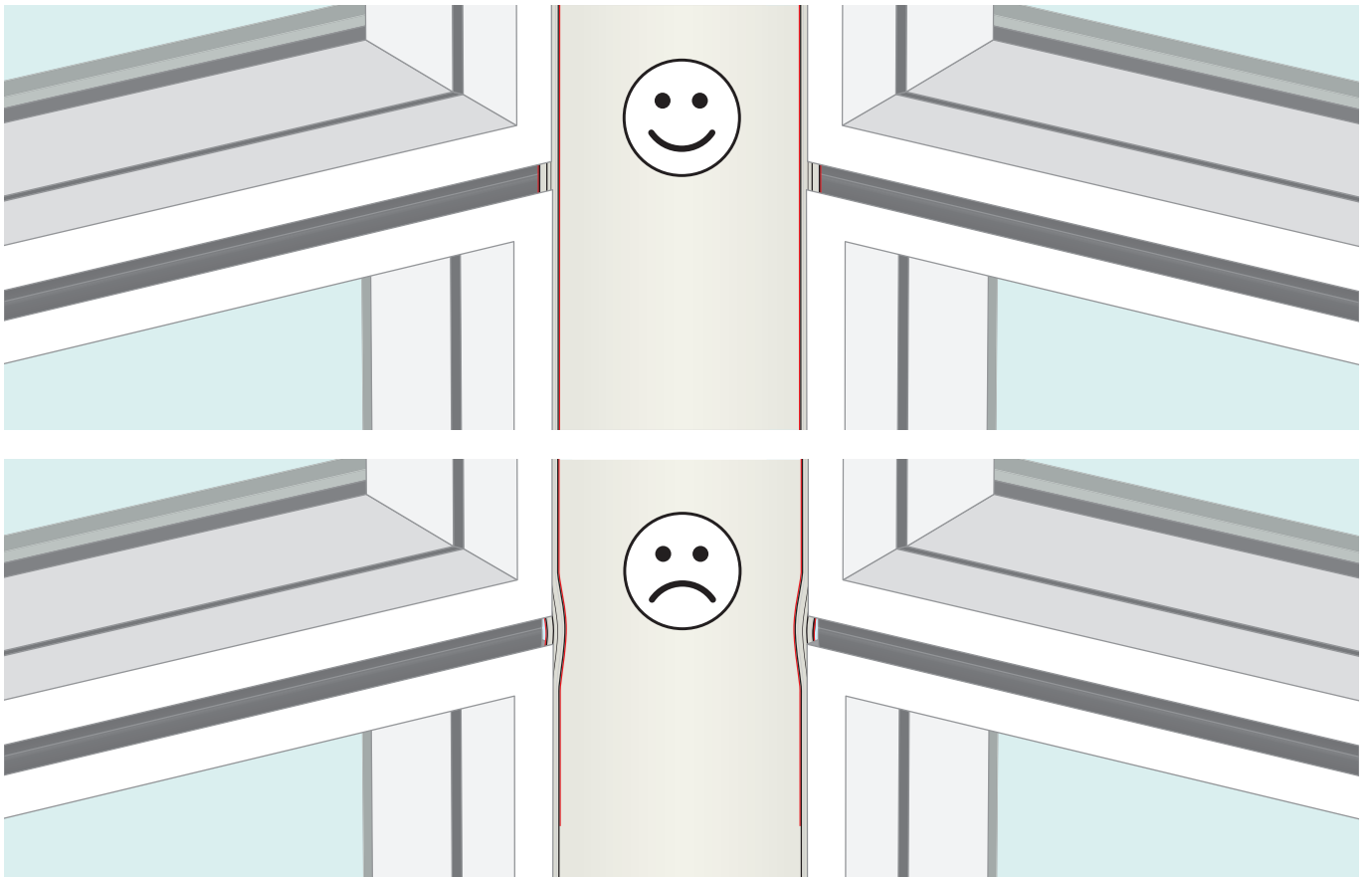
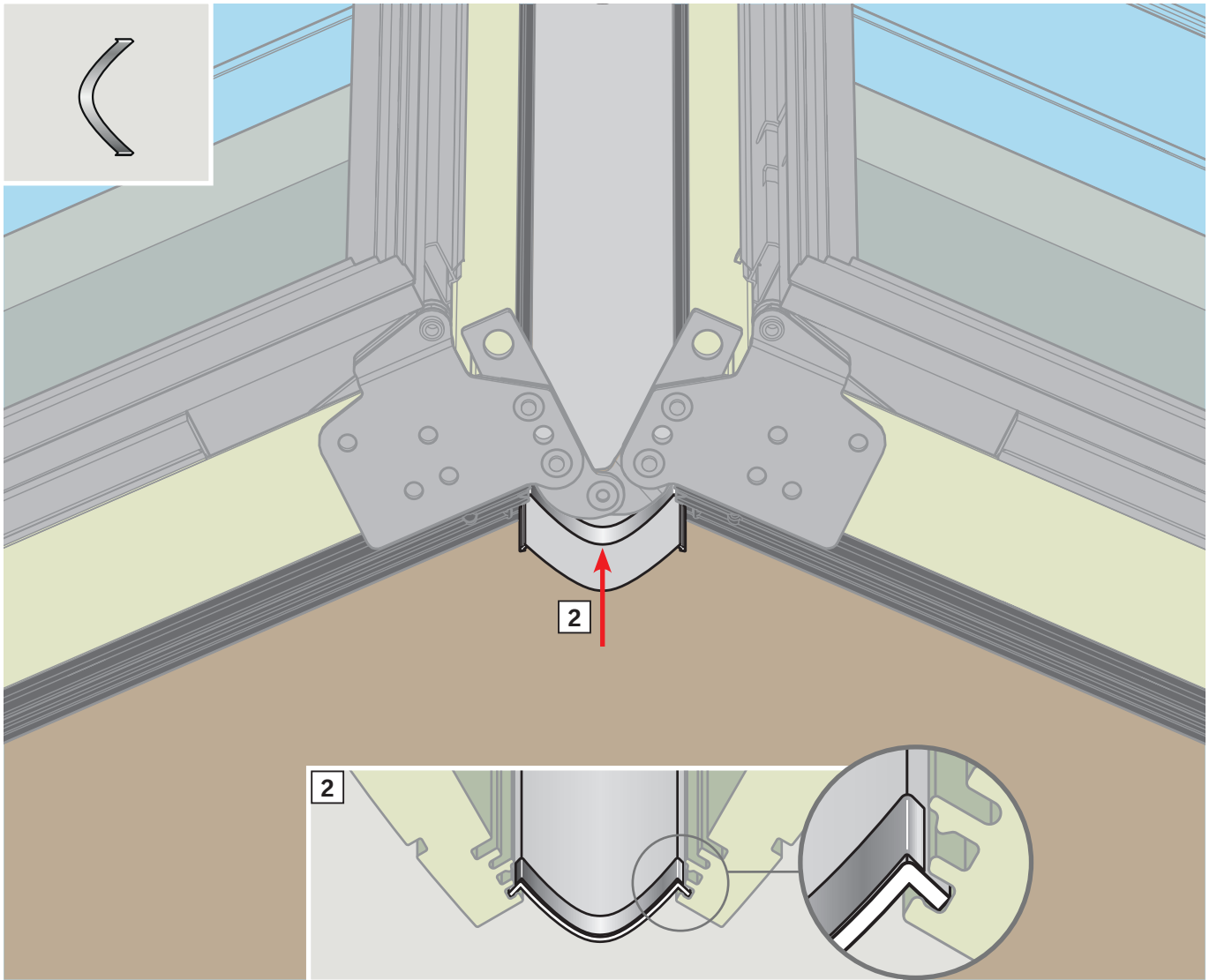


4

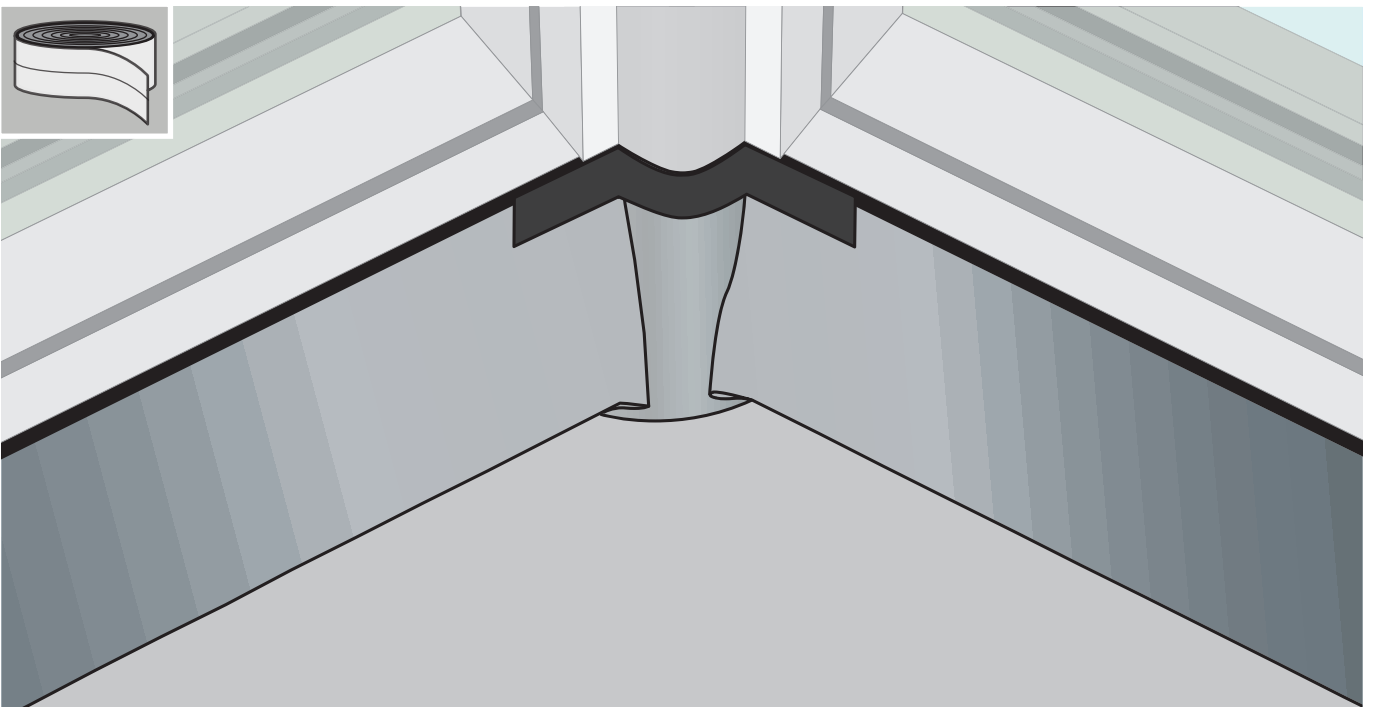
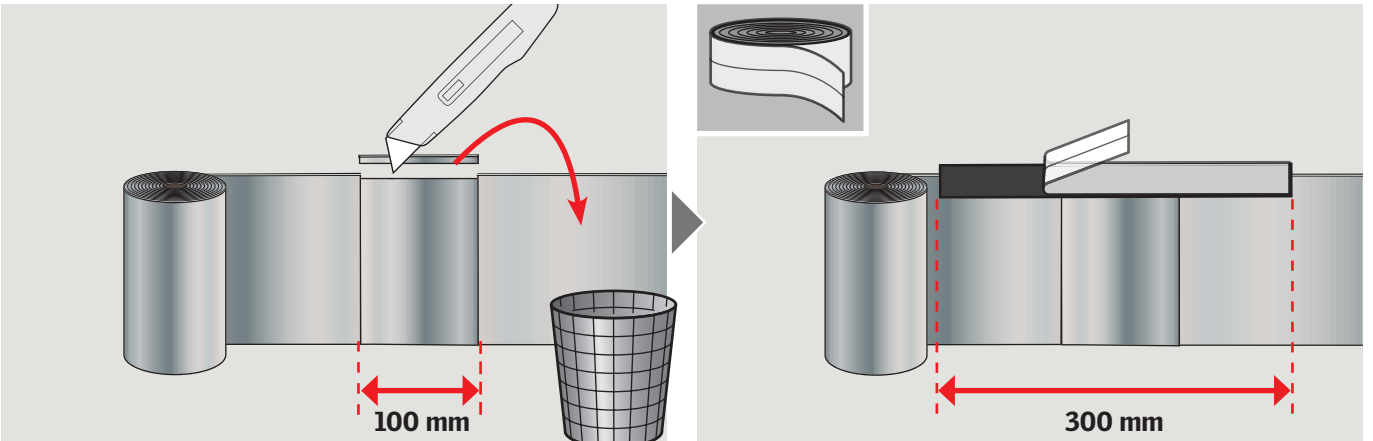
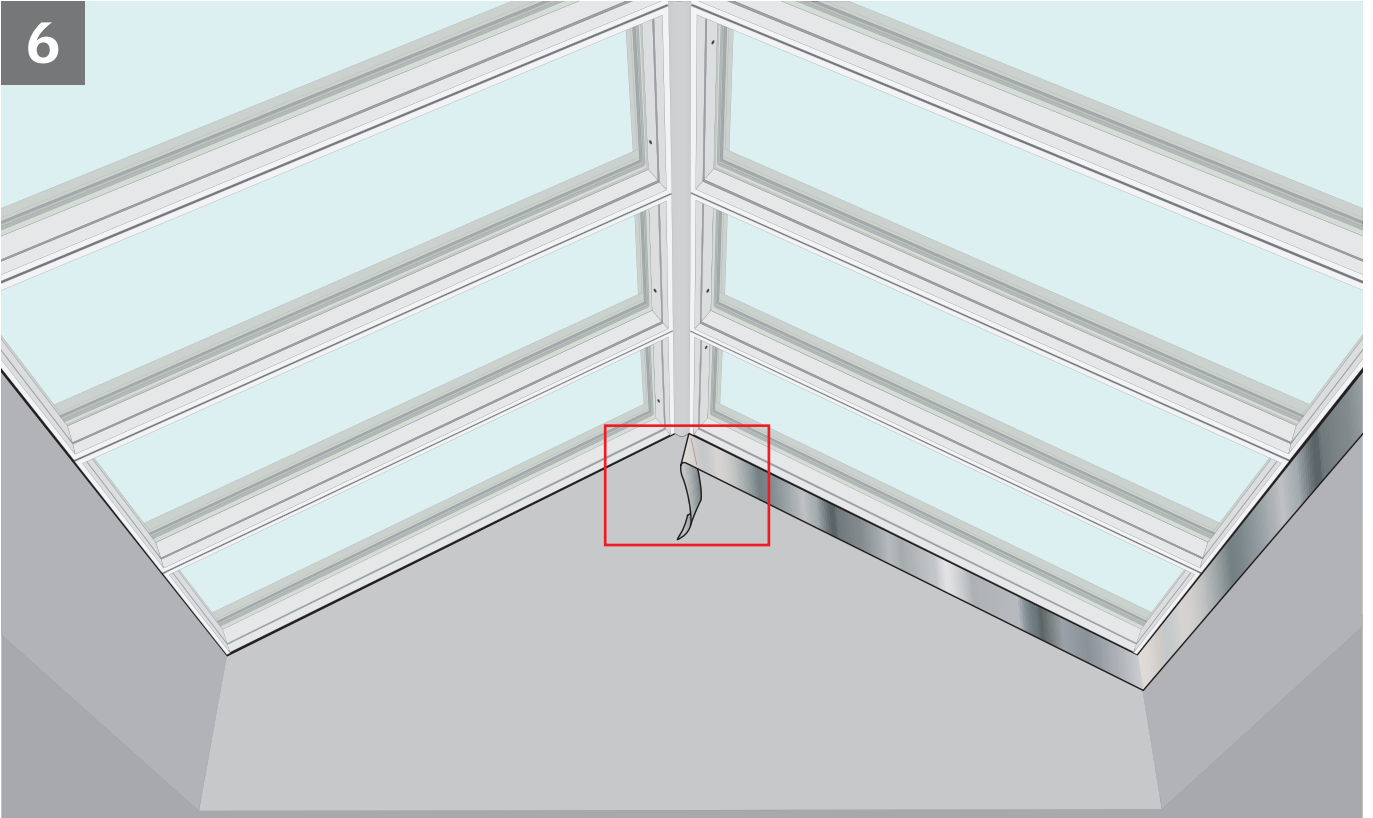


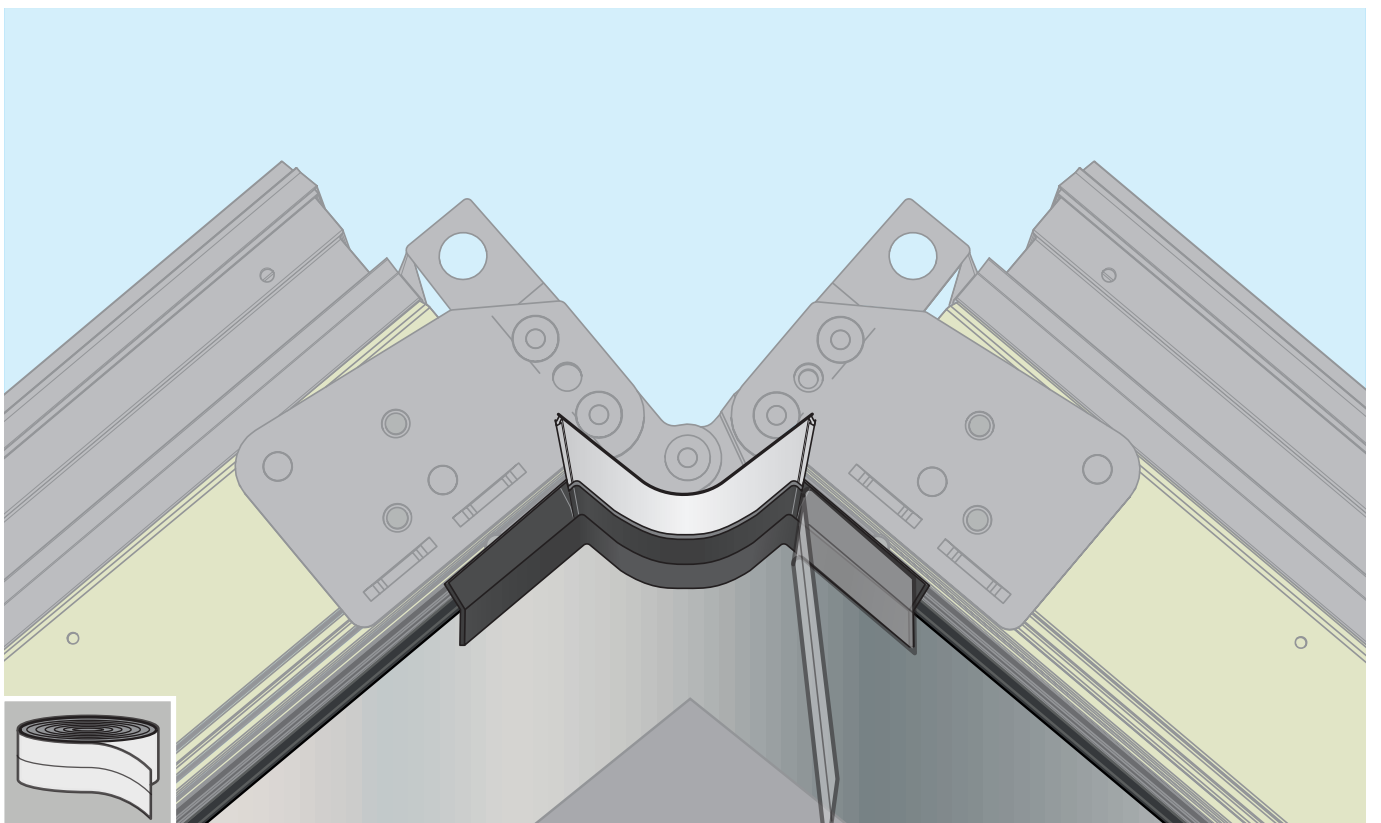
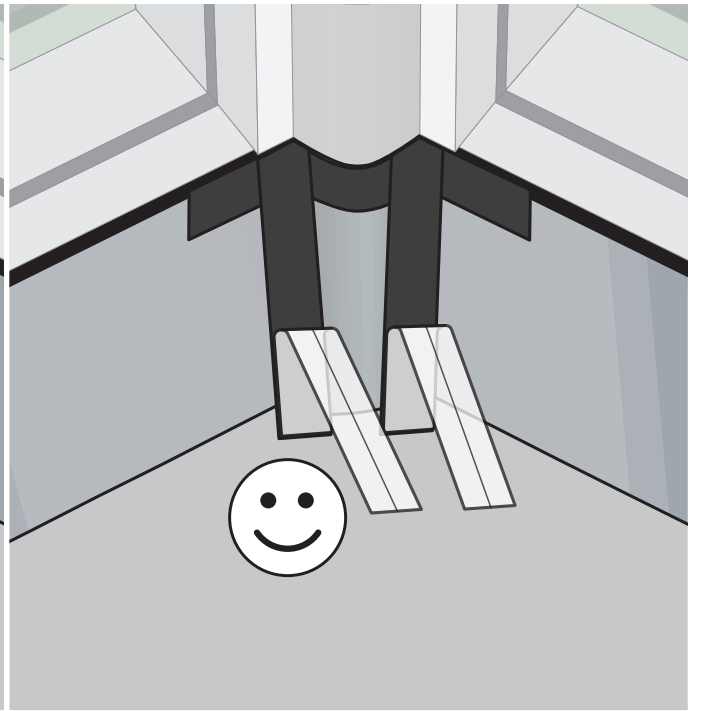
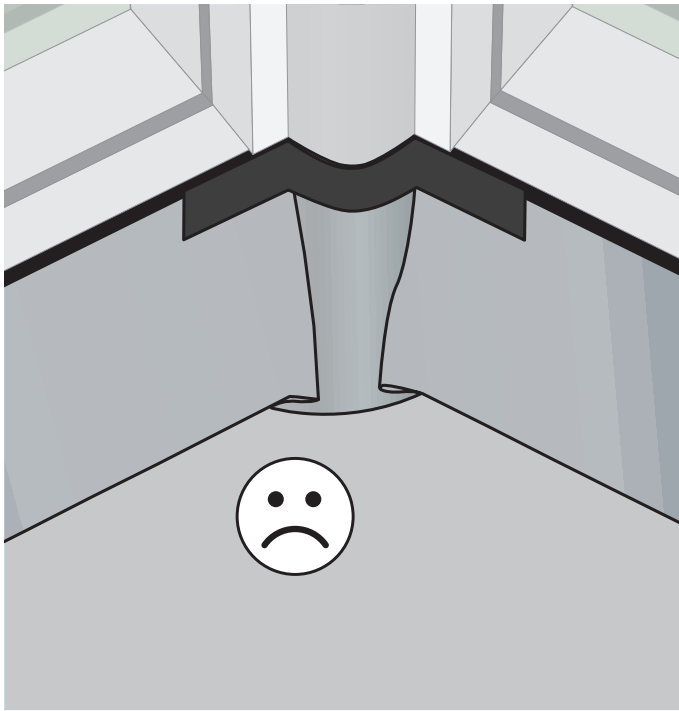
5








6






 ZZZ 254 Water vapour control layers in buildings		Harmonised technical specification: EN 13984:2013	
Essential characteristics	Performance	§	NB #
Watertightness	test is passed	5.5	0402
Impact resistance	NPD	5.6	
Durability - Water vapour resistance after artificial ageing - Chemical resistance	NPD NPD	5.7.1+5.7.2	-
Tear resistance	NPD	5.8	
Joint strength	NPD	5.9	
Water vapour resistance	Sd > 1500 m	5.10	0402
Tensile properties	NPD	5.11	
Reaction to fire	E	5.12	0402

 ZZZ 254 Water vapour control layers in buildings		Harmonised technical specification: EN 13984:2013	
Essential characteristics	Performance	§	NB #
Watertightness	test is passed	5.5	0402
Impact resistance	NPD	5.6	
Durability - Water vapour resistance after artificial ageing - Chemical resistance	NPD NPD	5.7.1+5.7.2	-
Tear resistance	NPD	5.8	
Joint strength	NPD	5.9	
Water vapour resistance	Sd > 1500 m	5.10	0402
Tensile properties	NPD	5.11	
Reaction to fire	E	5.12	0402

 BSX W00020 L010 Water vapour control layers in buildings		Harmonised technical specification: EN 13984:2013	
Essential characteristics	Performance	§	NB #
Watertightness	test is passed	5.5	0402
Impact resistance	NPD	5.6	
Durability		5.7.1+5.7.2	-
- Water vapour resistance after artificial ageing	NPD		
- Chemical resistance	NPD		
Tear resistance	NPD	5.8	
Joint strength	NPD	5.9	
Water vapour resistance	Sd > 1500 m	5.10	0402
Tensile properties	NPD	5.11	
Reaction to fire	E	5.12	0402

 BSX W00020 L010 Water vapour control layers in buildings		Harmonised technical specification: EN 13984:2013	
Essential characteristics	Performance	§	NB #
Watertightness	test is passed	5.5	0402
Impact resistance	NPD	5.6	
Durability		5.7.1+5.7.2	-
- Water vapour resistance after artificial ageing	NPD		
- Chemical resistance	NPD		
Tear resistance	NPD	5.8	
Joint strength	NPD	5.9	
Water vapour resistance	Sd > 1500 m	5.10	0402
Tensile properties	NPD	5.11	
Reaction to fire	E	5.12	0402



AT: VELUX Österreich GmbH
+43-720-1052-84

BE: VELUX Belgium
(+32) 010 42 09 91

CA: VELUX Canada Inc.
1 800 88 -VELUX (888-3589)

CH: VELUX Schweiz AG
+41 62 289 44 31

CR: VELUX Croatia
+49 5744 503-0

CZ: VELUX Česká republika, s.r.o.
+49 5744 503-0

DE: VELUX Deutschland GmbH
www.velux.de/kontakt

DK: VELUX Danmark A/S
+45 96771300

FR: VELUX France
01 64 54 24 69
Service gratuit + prix appel

GB: VELUX Company Ltd.
+44 (0) 1592 778916

HU: VELUX Magyarország Kft.
+49 5744 503-0

IE: VELUX Company Ltd.
+44 (0) 1592 778916

NL: VELUX Nederland B.V.
+31 226 366107

NO: VELUX Norge AS
+47 32 24 05 60

PL: VELUX Polska Sp. z o.o.
0048 61 640 34 10

RO: VELUX România S.R.L.
+40 31 860 2351

SE: VELUX Svenska AB
+45 96771300

SK: VELUX Slovensko, s.r.o.
+49 5744 503-0

US: VELUX America LLC
(888) 878-3589.

VELUXcommercial.com