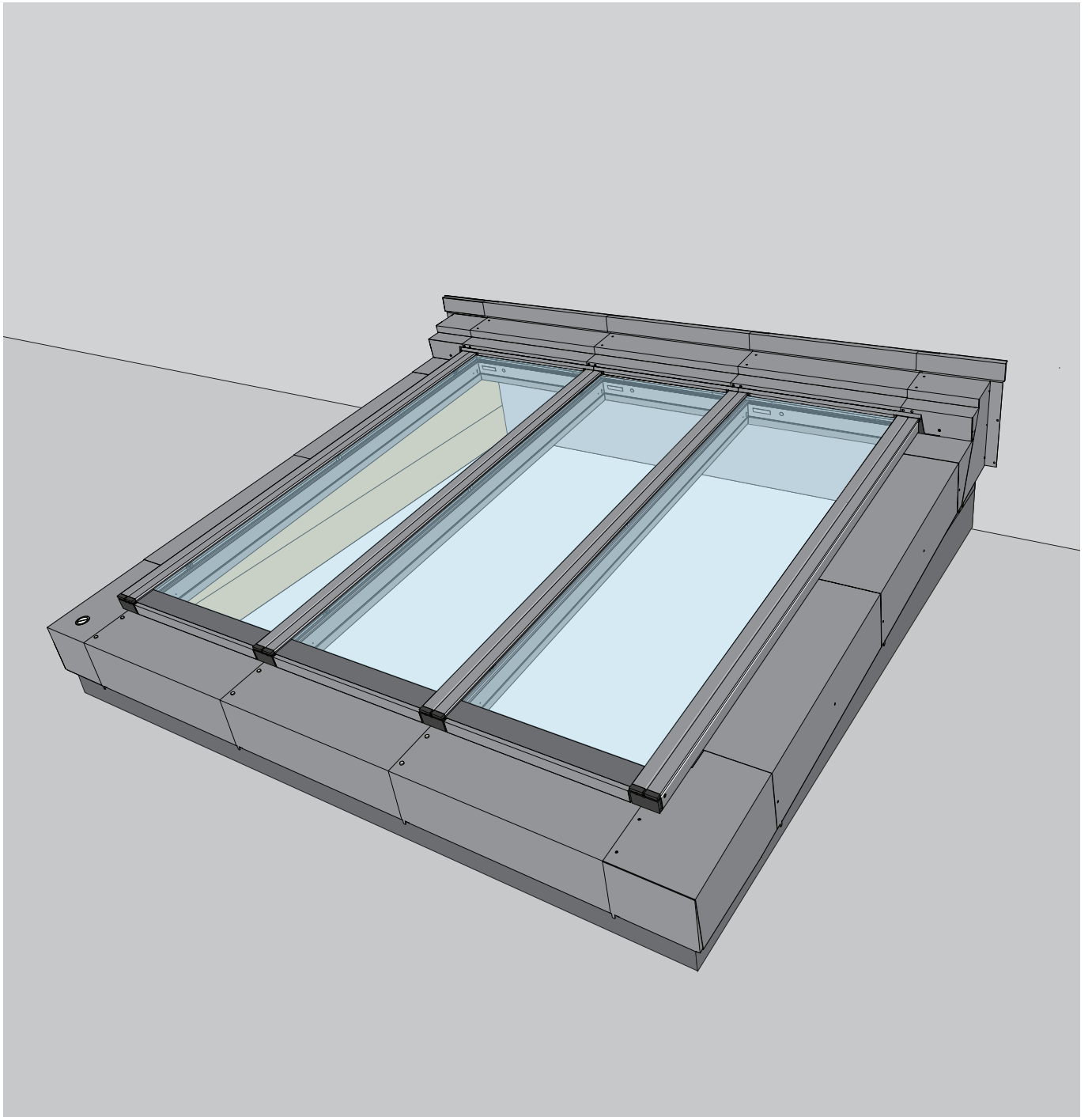
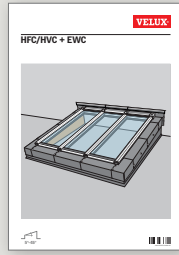


# HFC/HVC + EWC



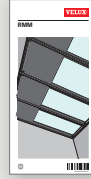
# A1-W



HFC/HVC + EWC

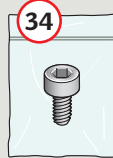
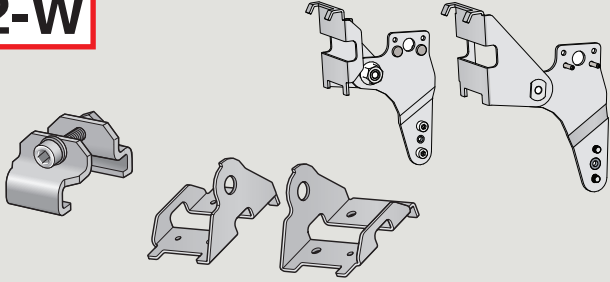


HVC CE all



RMM

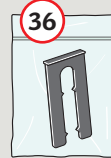
# A2-W



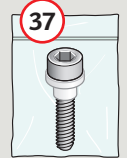
M8 x 10 mm



M8

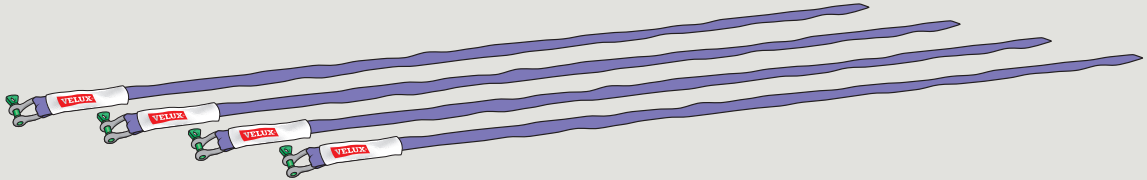


M8

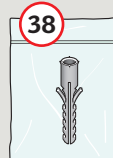
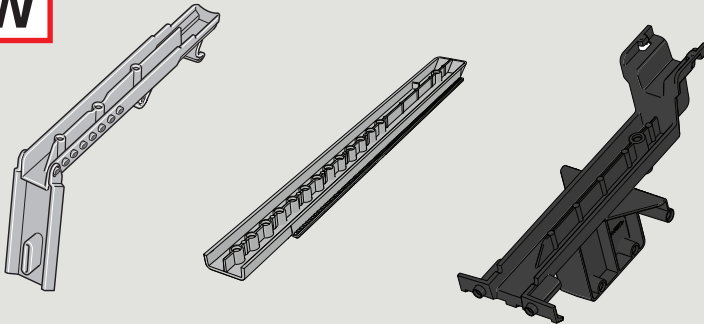


M8 x 30 mm

# A3



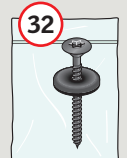
# B1-W



Ø6 x 45 mm

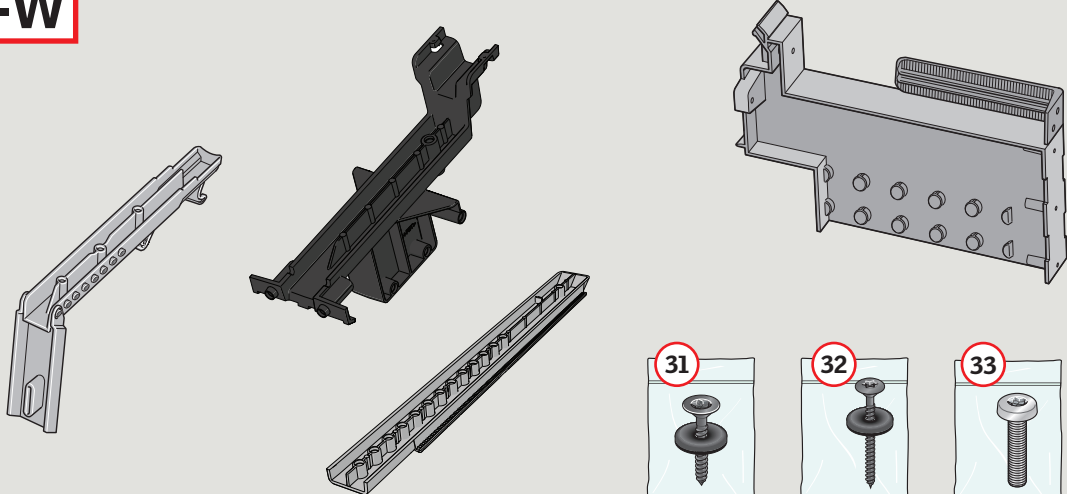


5,5 x 27 mm



4 x 45 mm

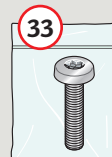
# B2-W



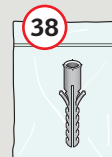
5,5 x 27 mm



4 x 45 mm

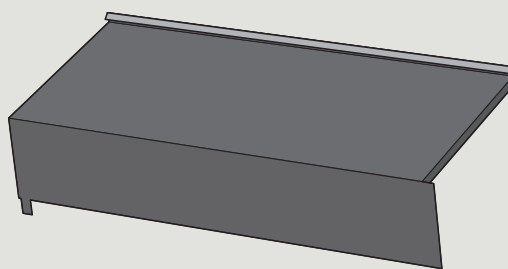


M4 x 25 mm

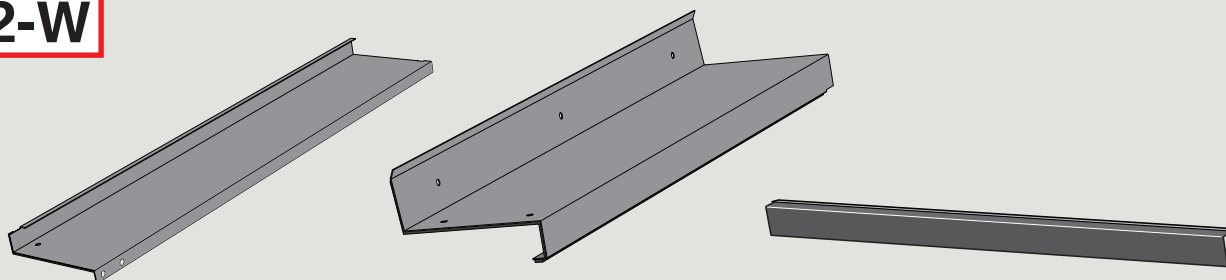


Ø6 x 45 mm

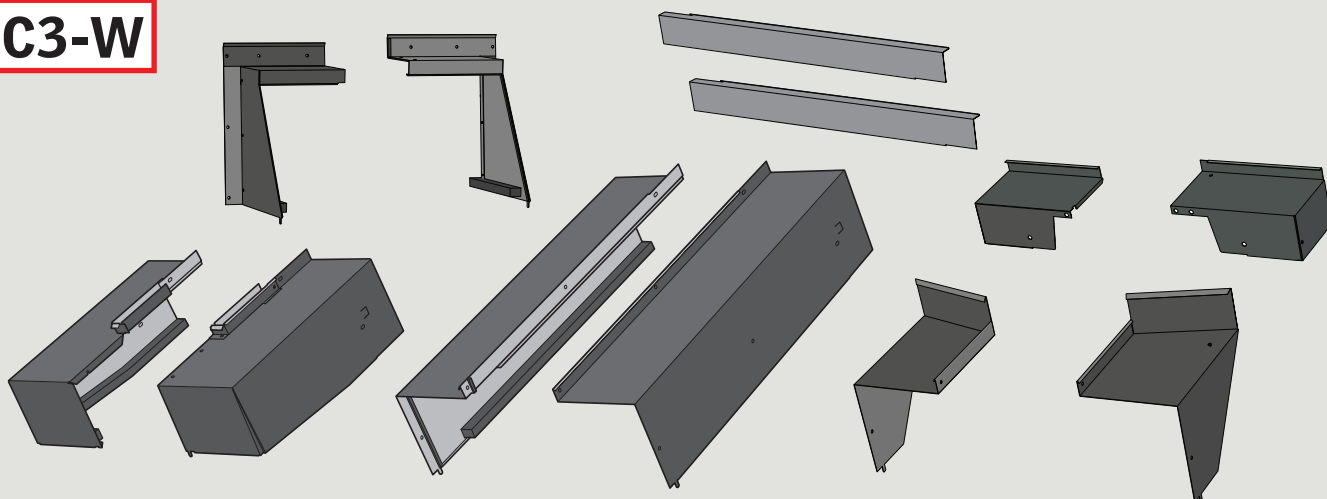
**C1-W**



**C2-W**



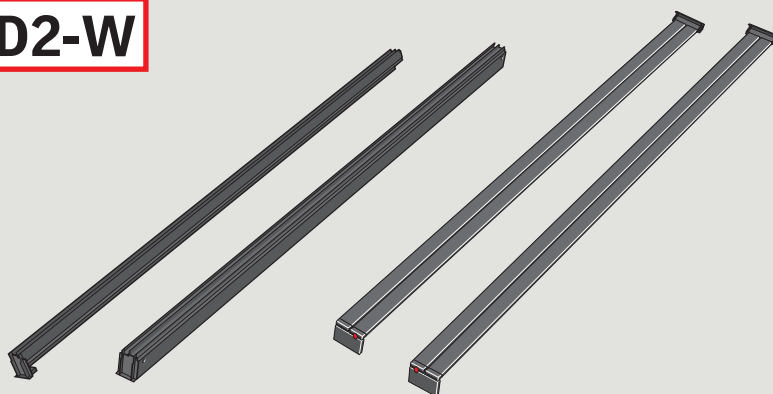
**C3-W**



**D1-W**



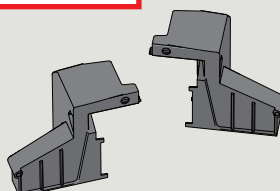
**D2-W**



**D3-W**



**D4-W**

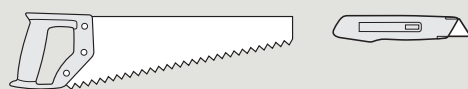
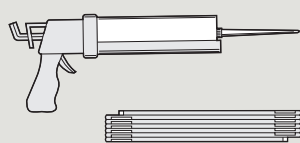
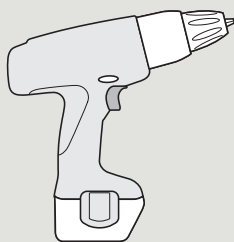
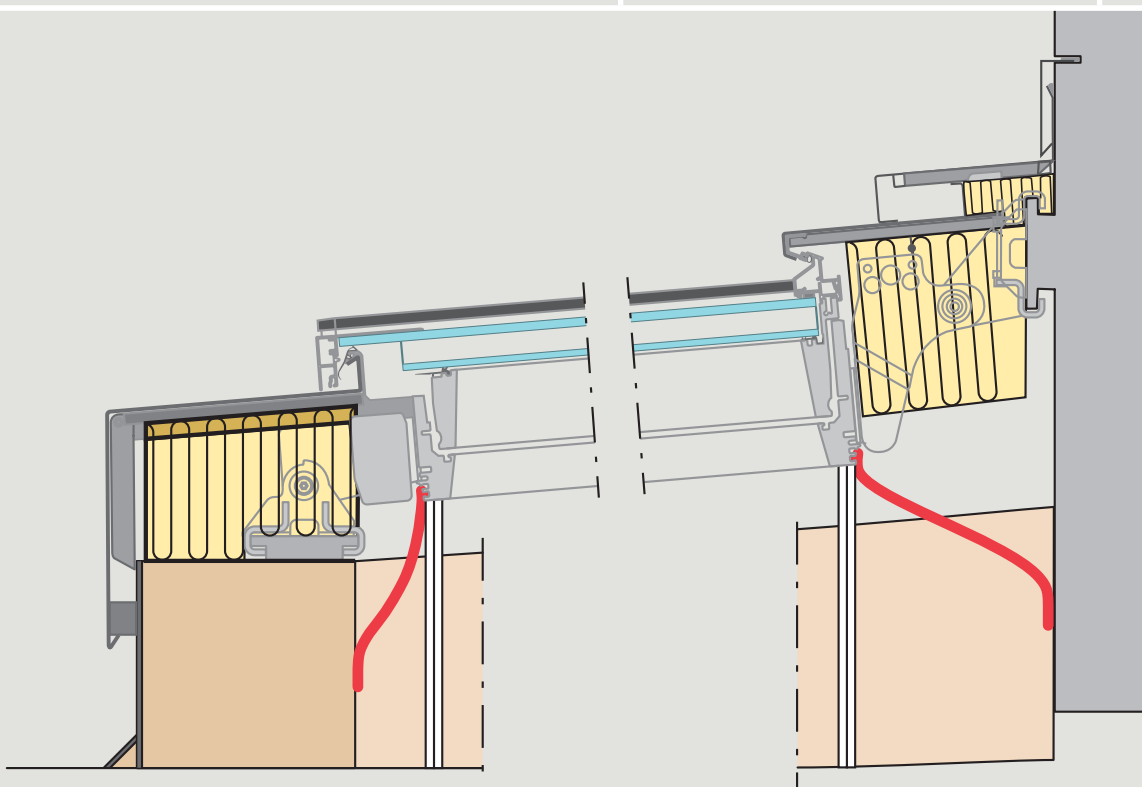
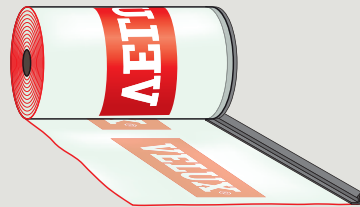


**D5-S**

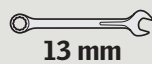




**BCX**



**TX 20**

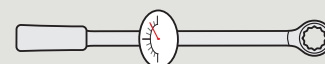


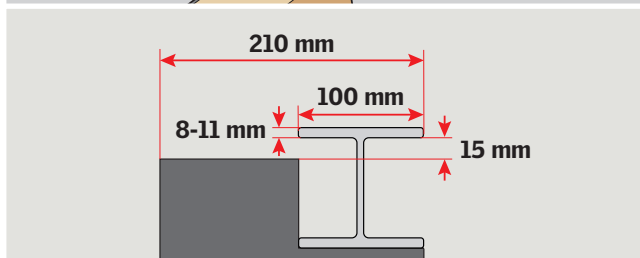
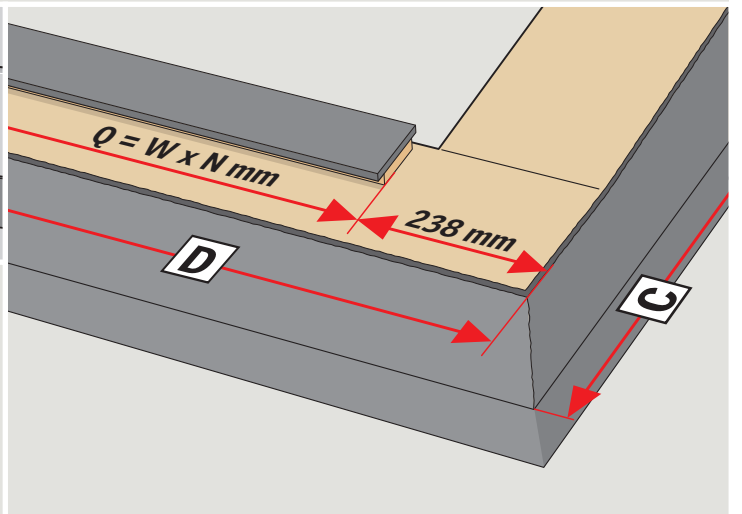
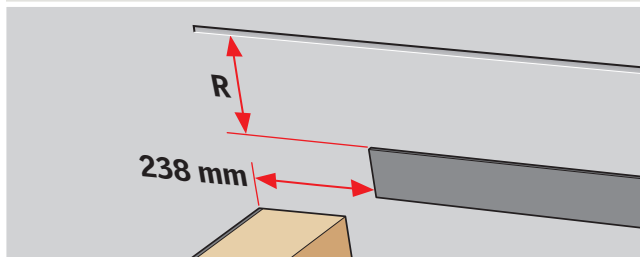
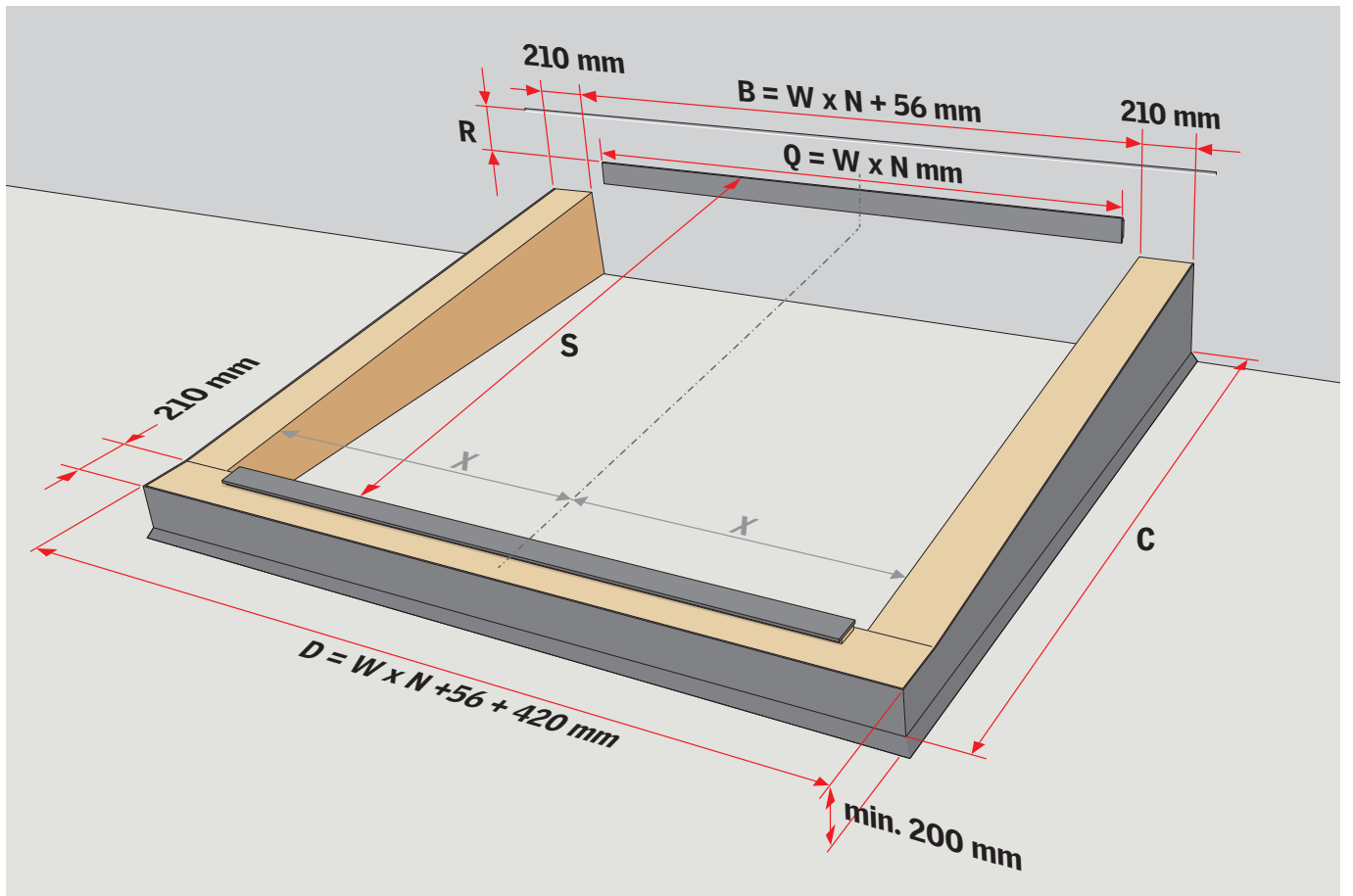
**13 mm**

**HEX 6**

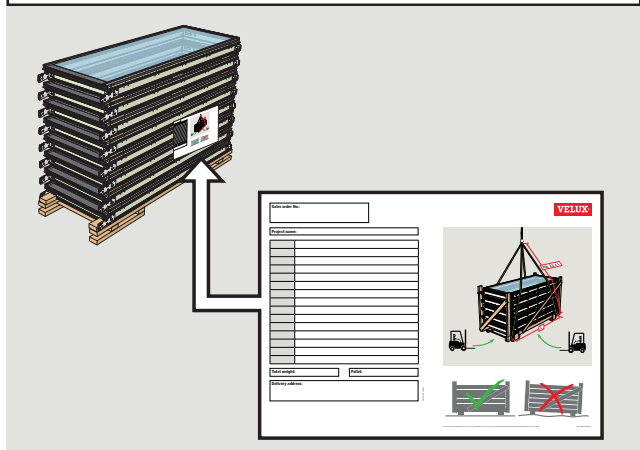


**HEX 6**

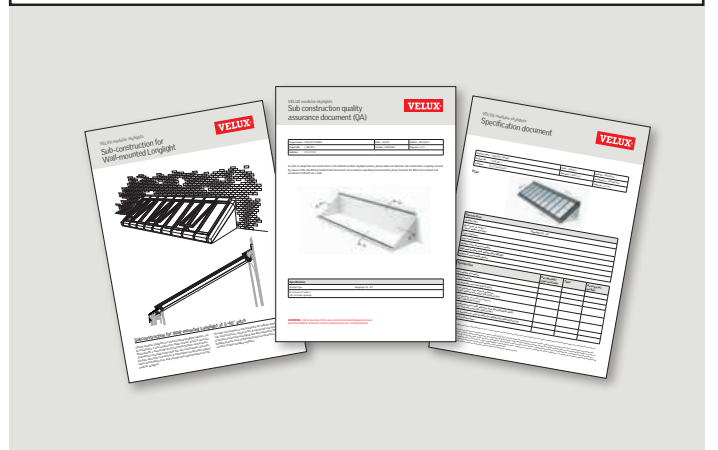




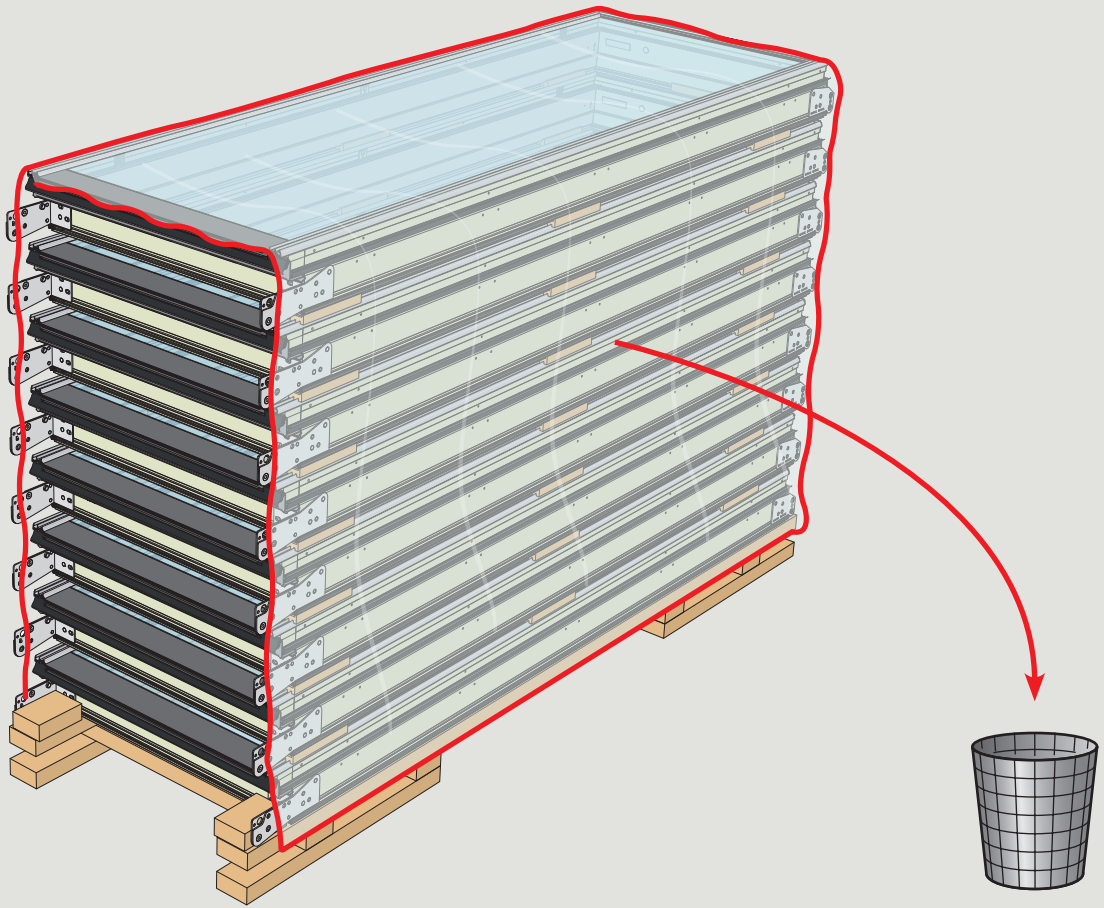
**W mm / H mm / N**



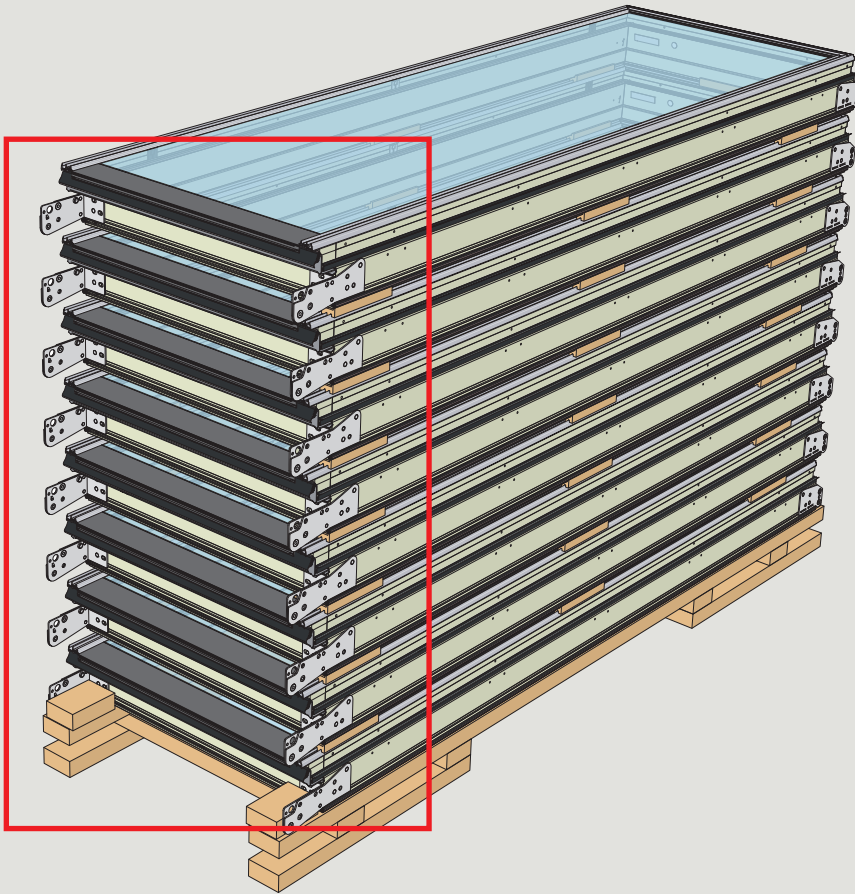
**B mm / C mm / D mm / R mm / S mm / Q mm**



1



2



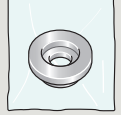
**A2-W**

34

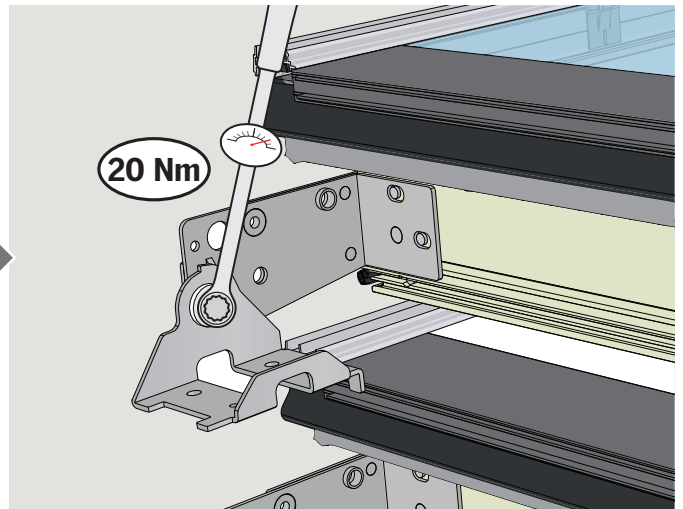
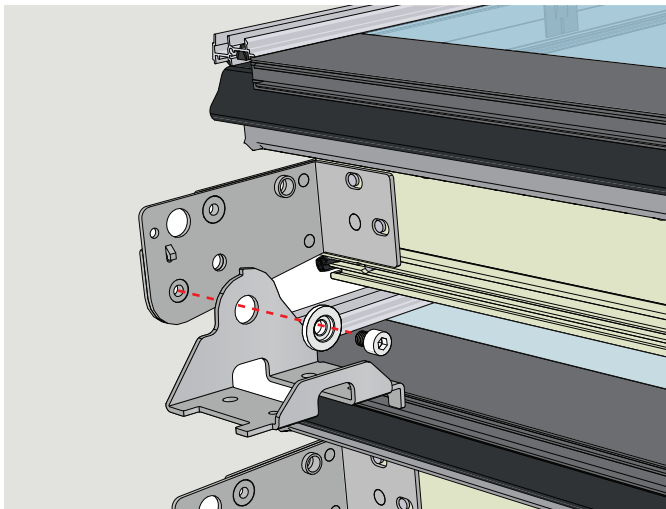
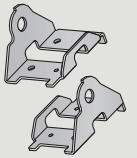


M8 x 10 mm

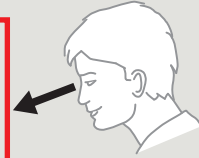
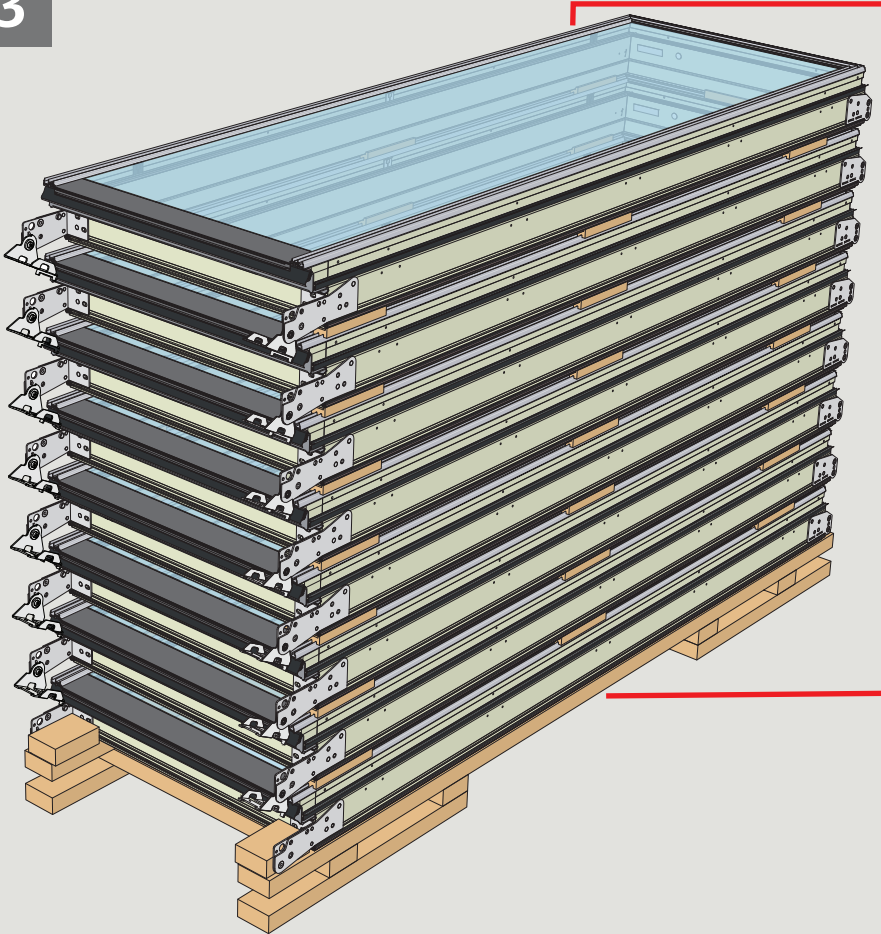
35



Ø 8 mm

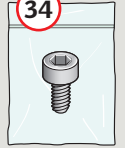


3

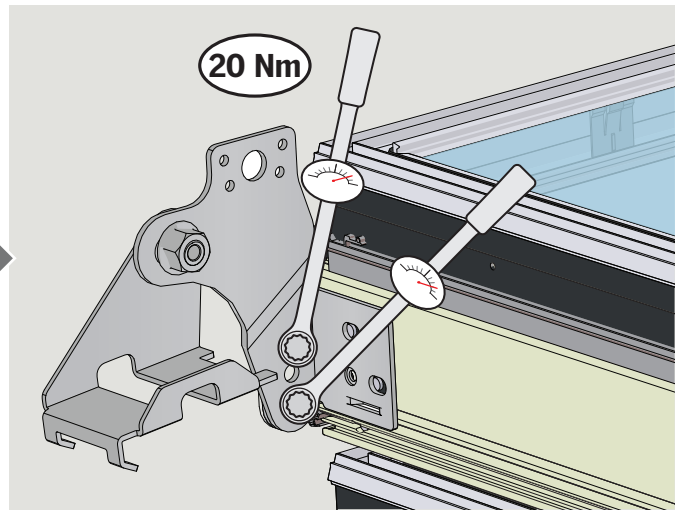
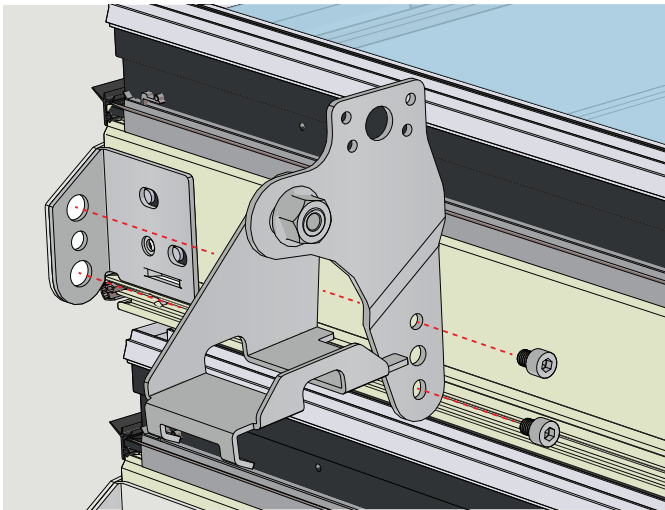
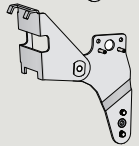
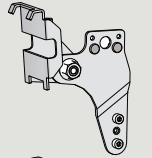


**A2-W**

34



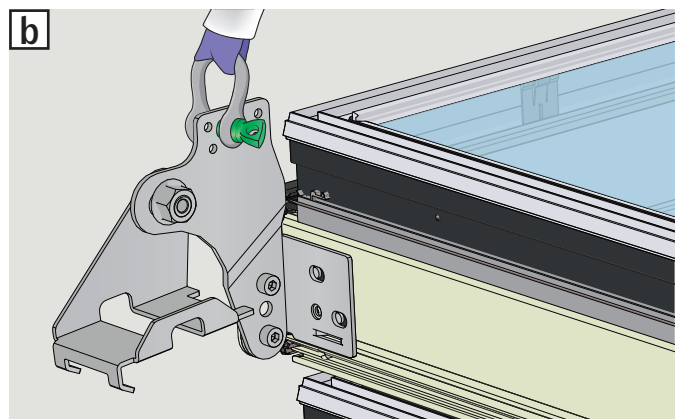
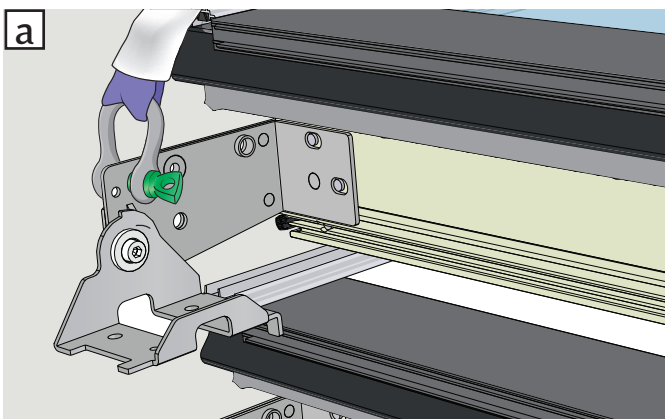
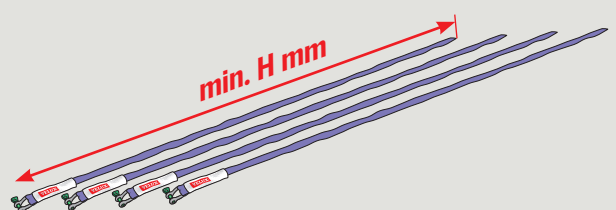
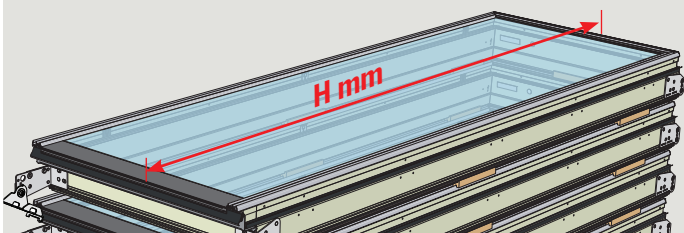
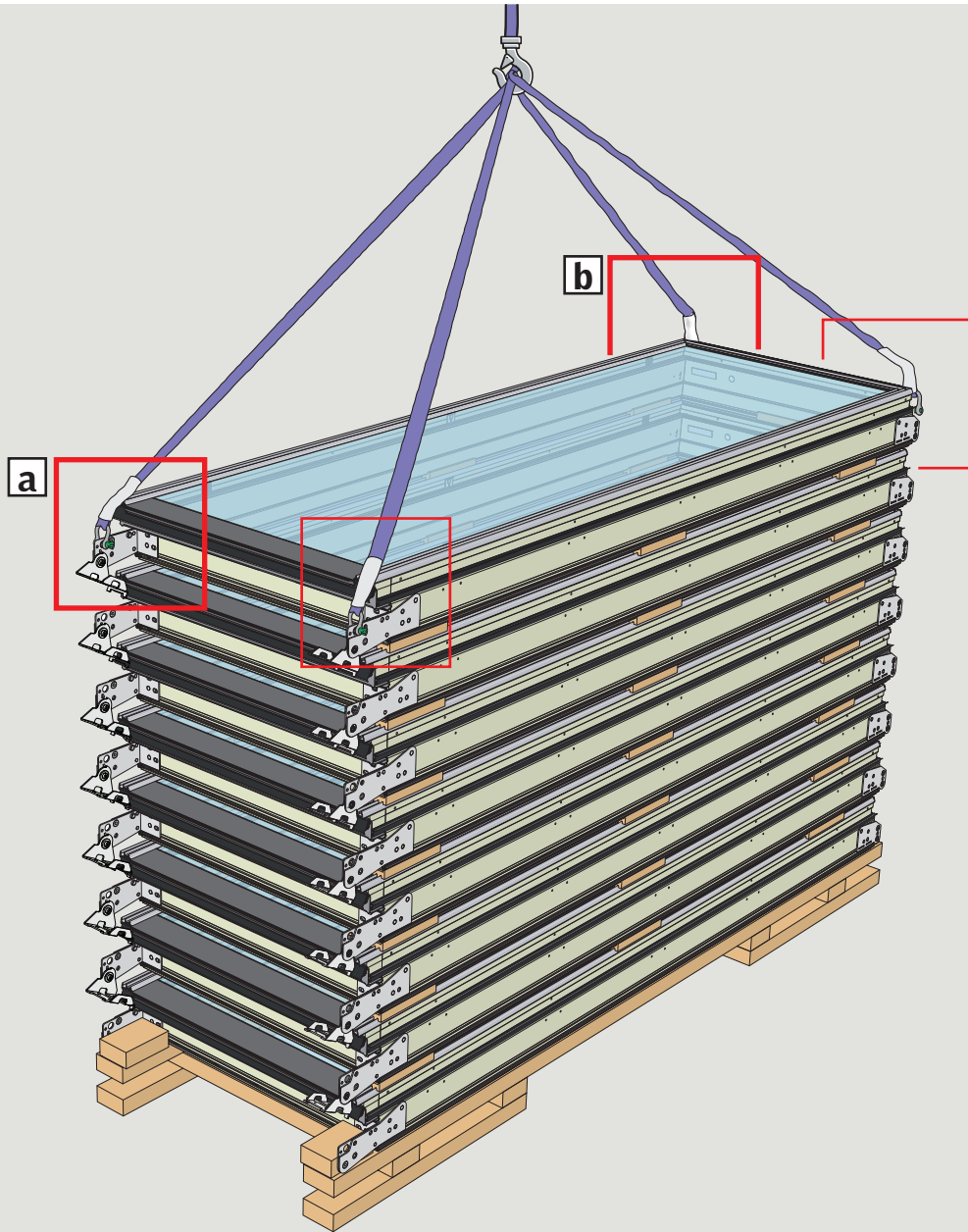
M8 x 10 mm



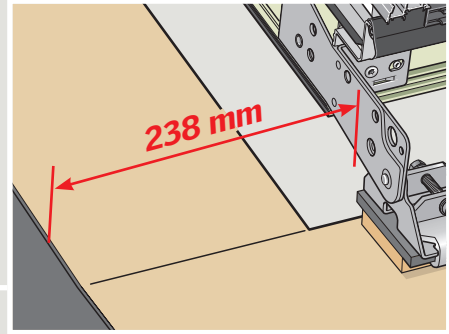
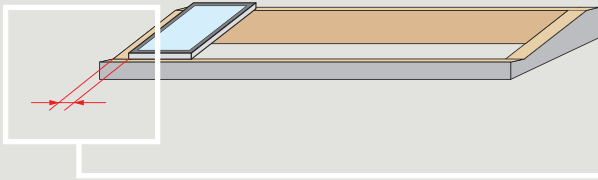
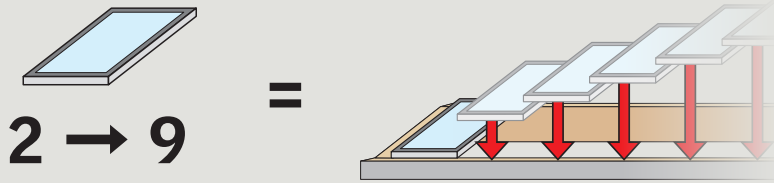


4

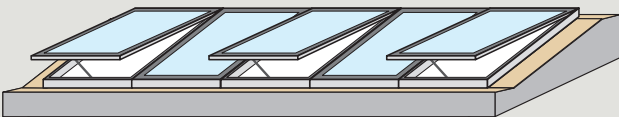
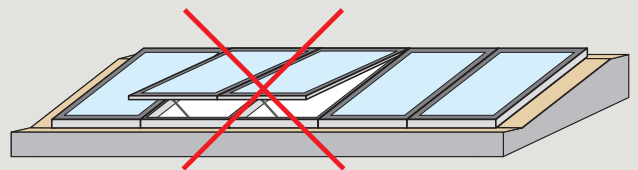
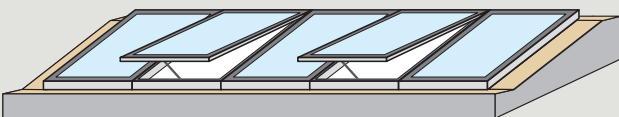
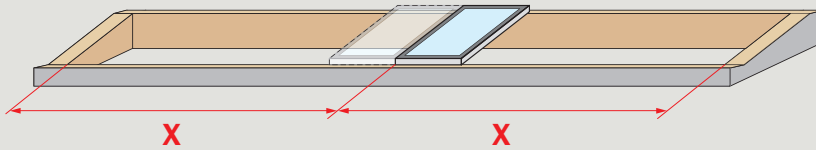
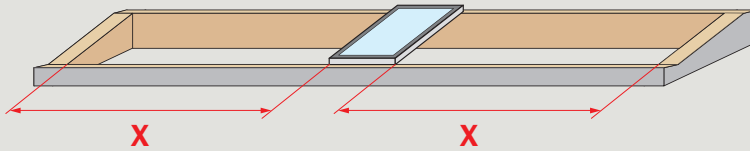
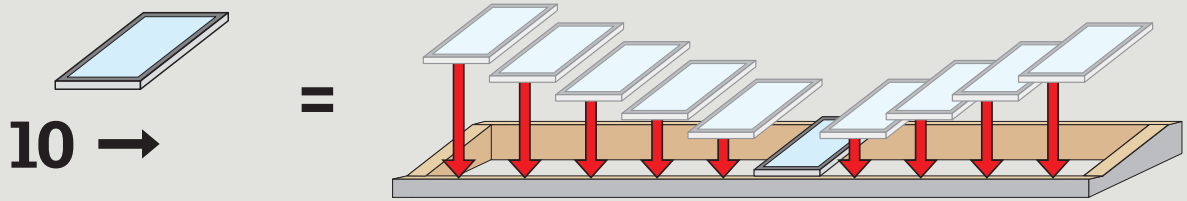
A3



5a

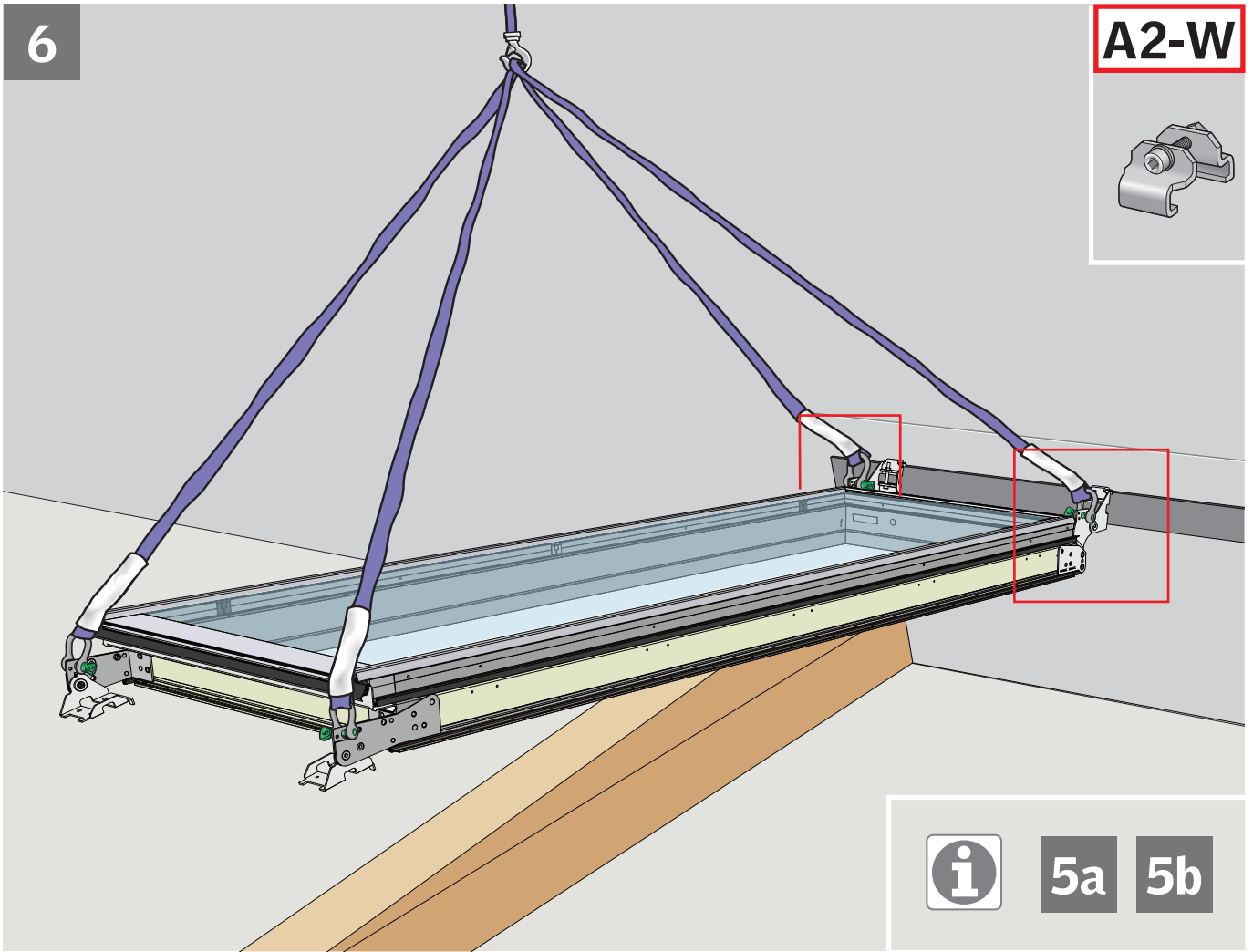
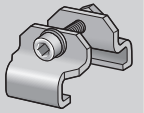


5b



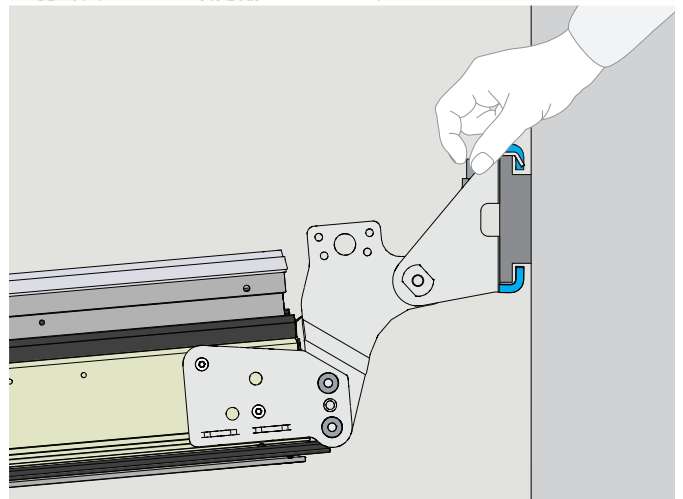
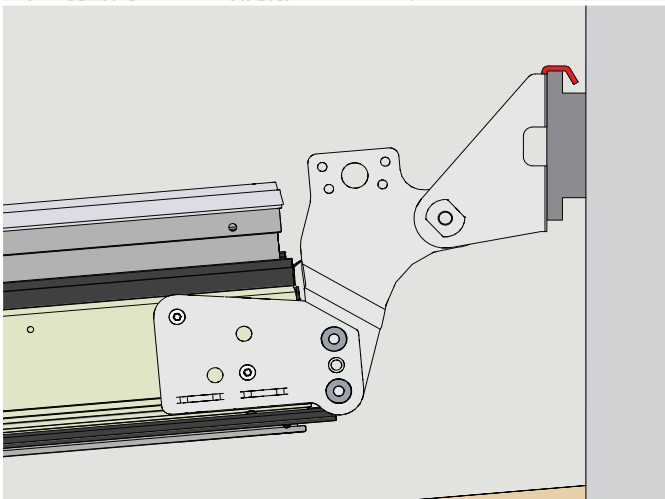
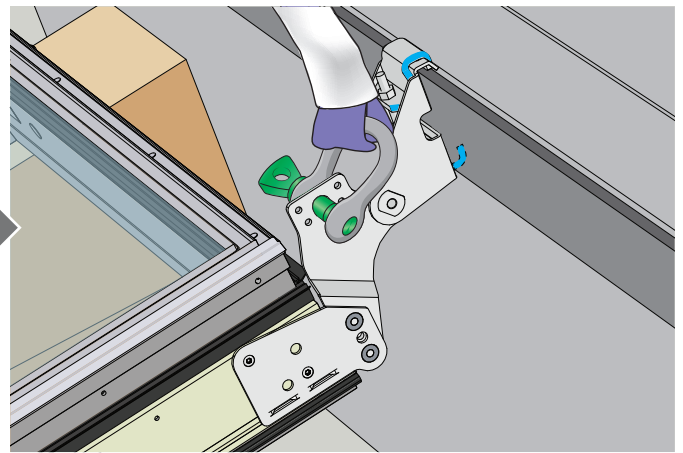
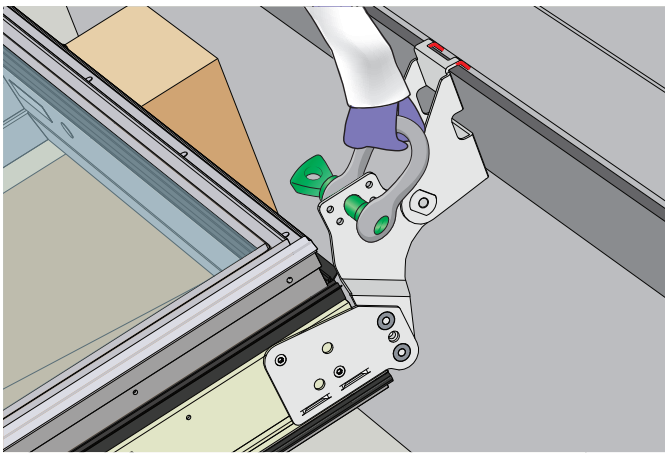
6

A2-W



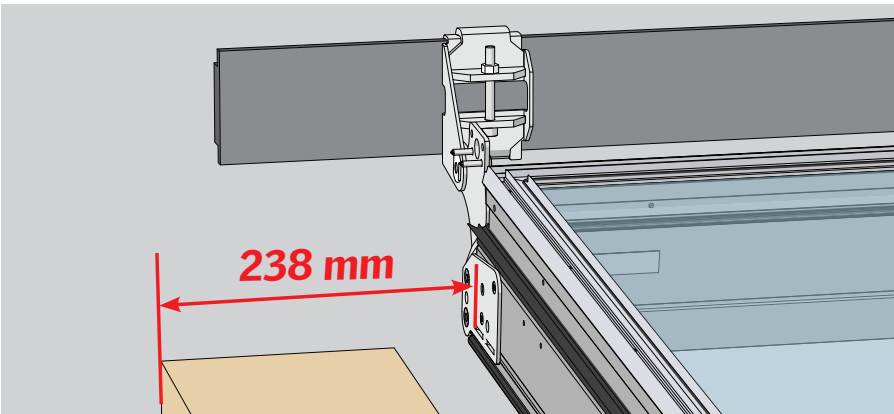
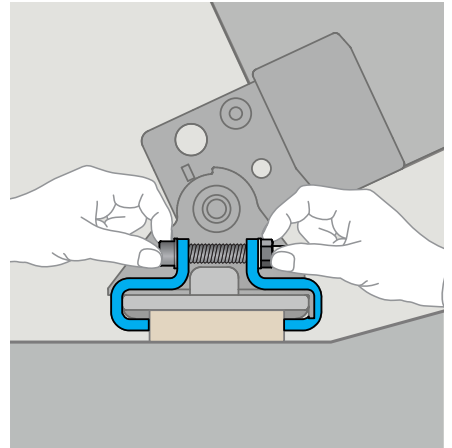
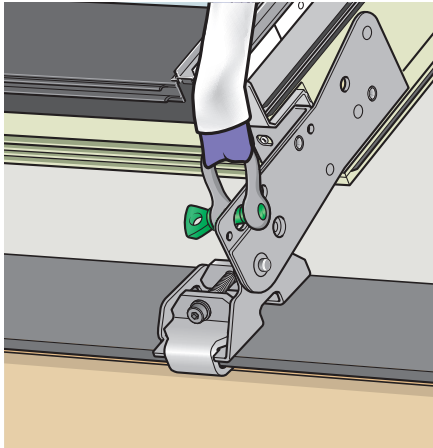
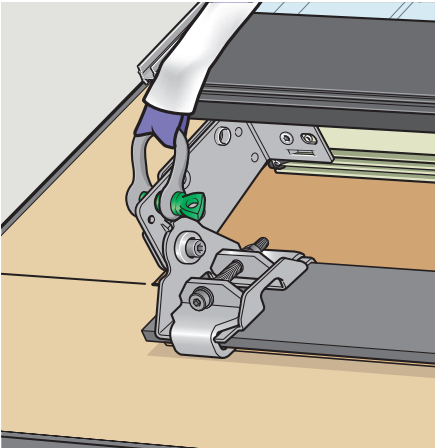
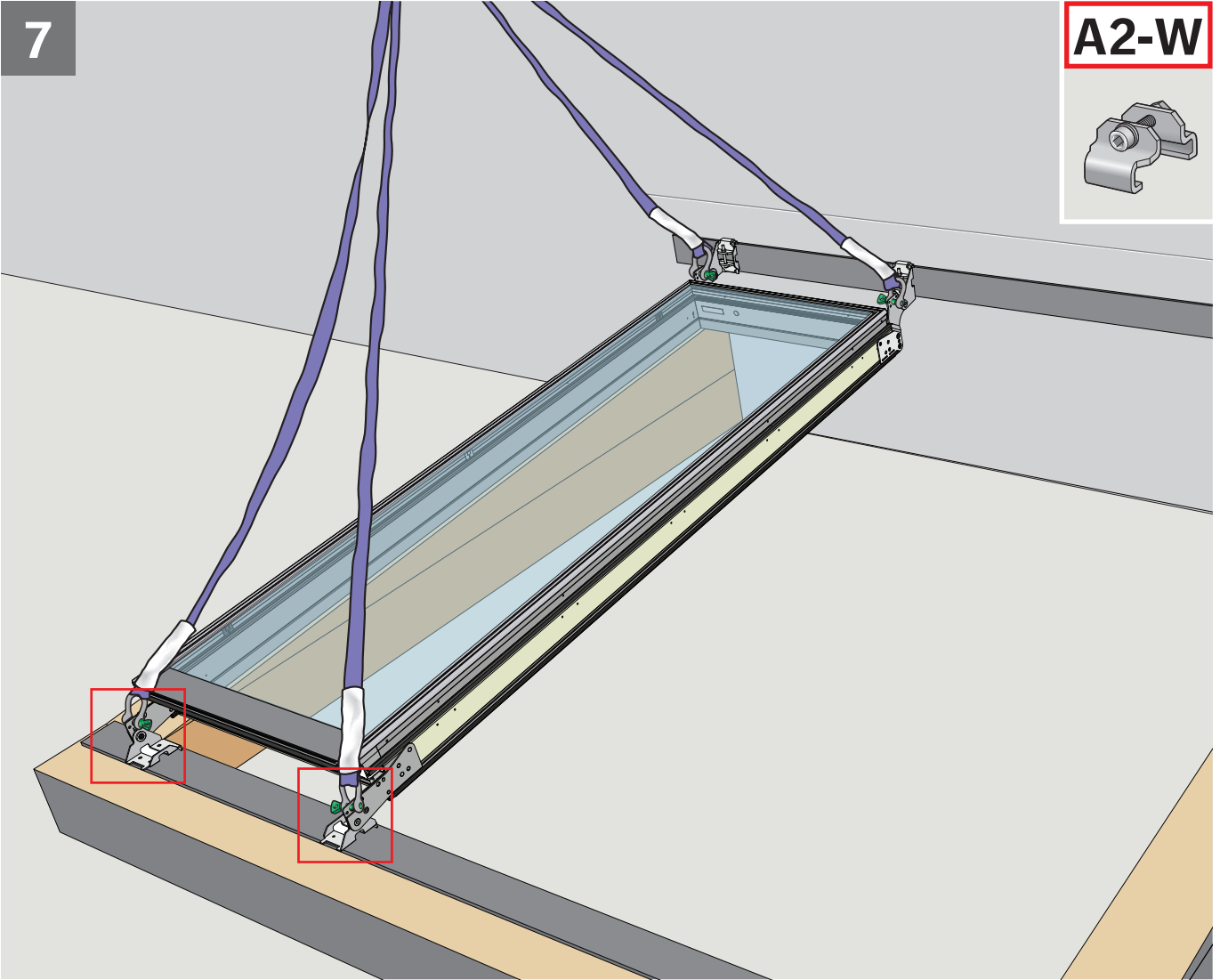
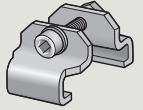
5a

5b

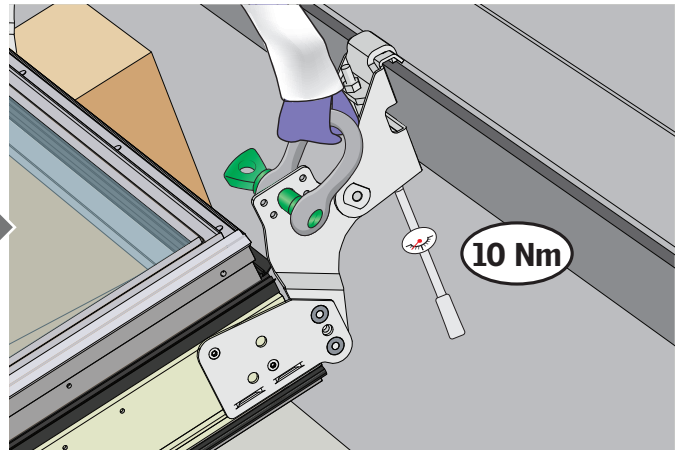
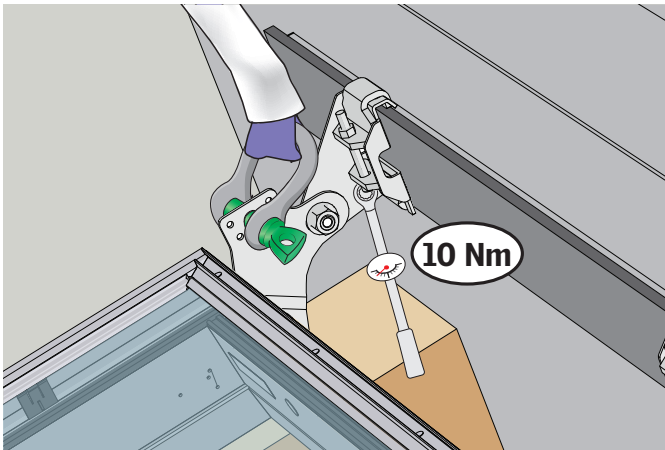
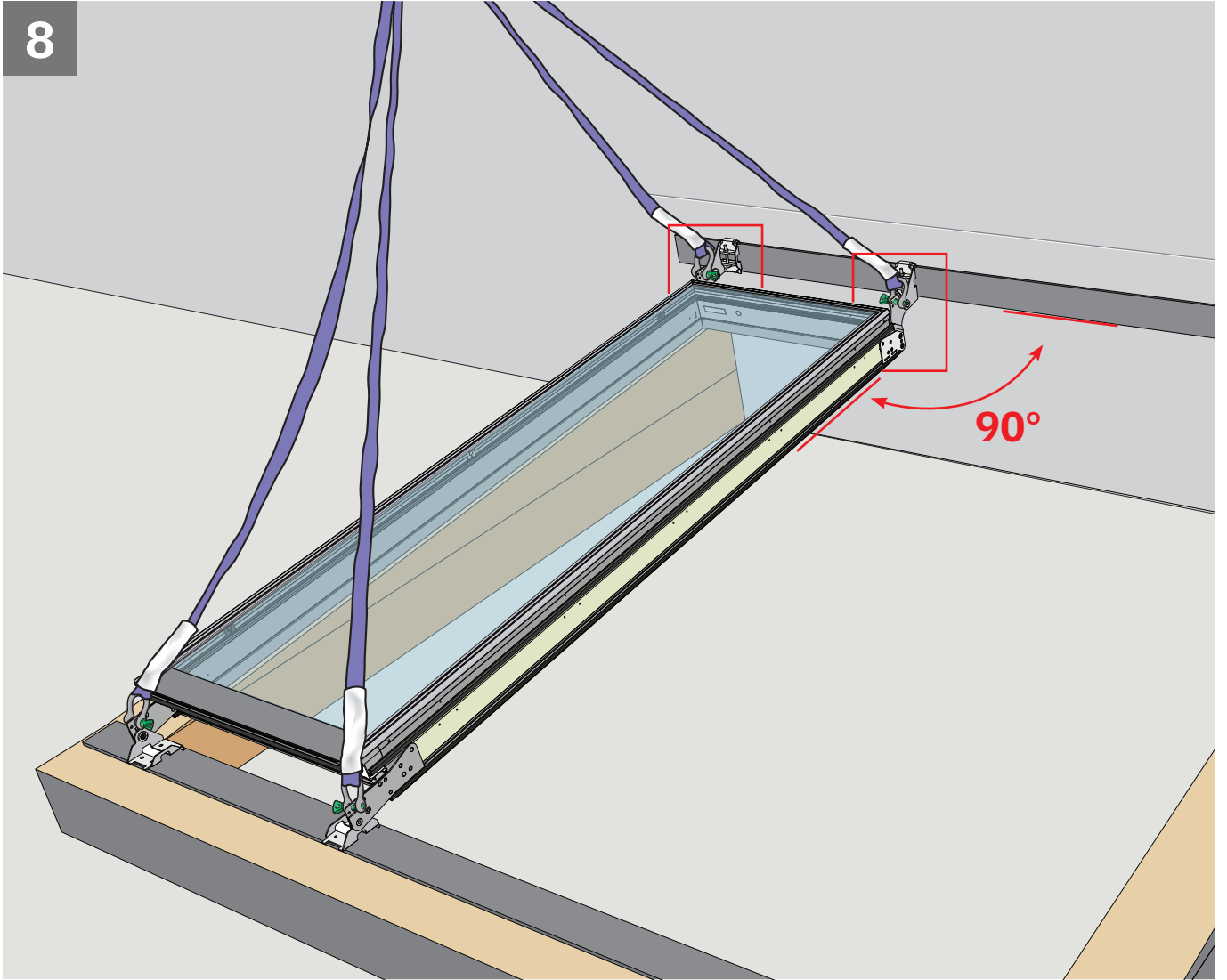


7

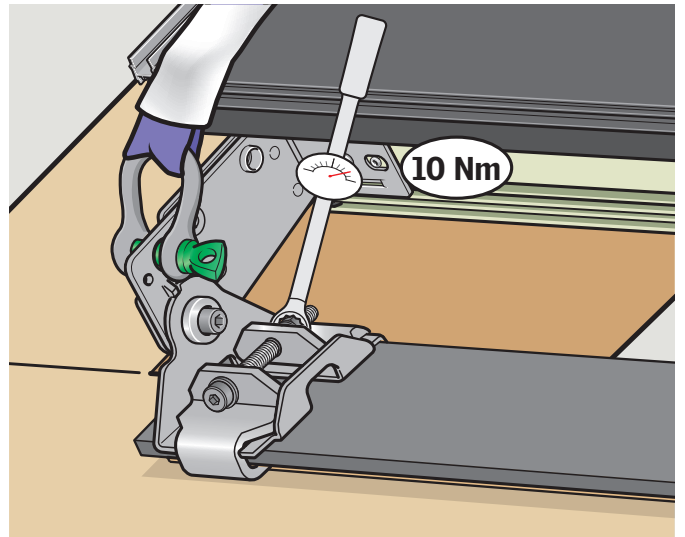
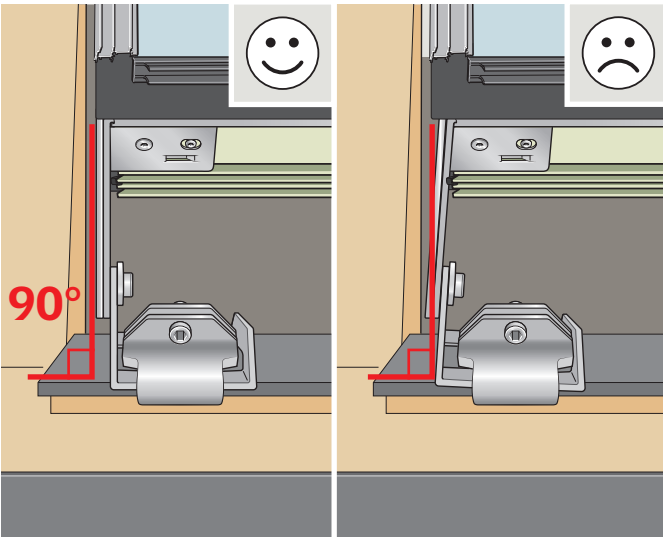
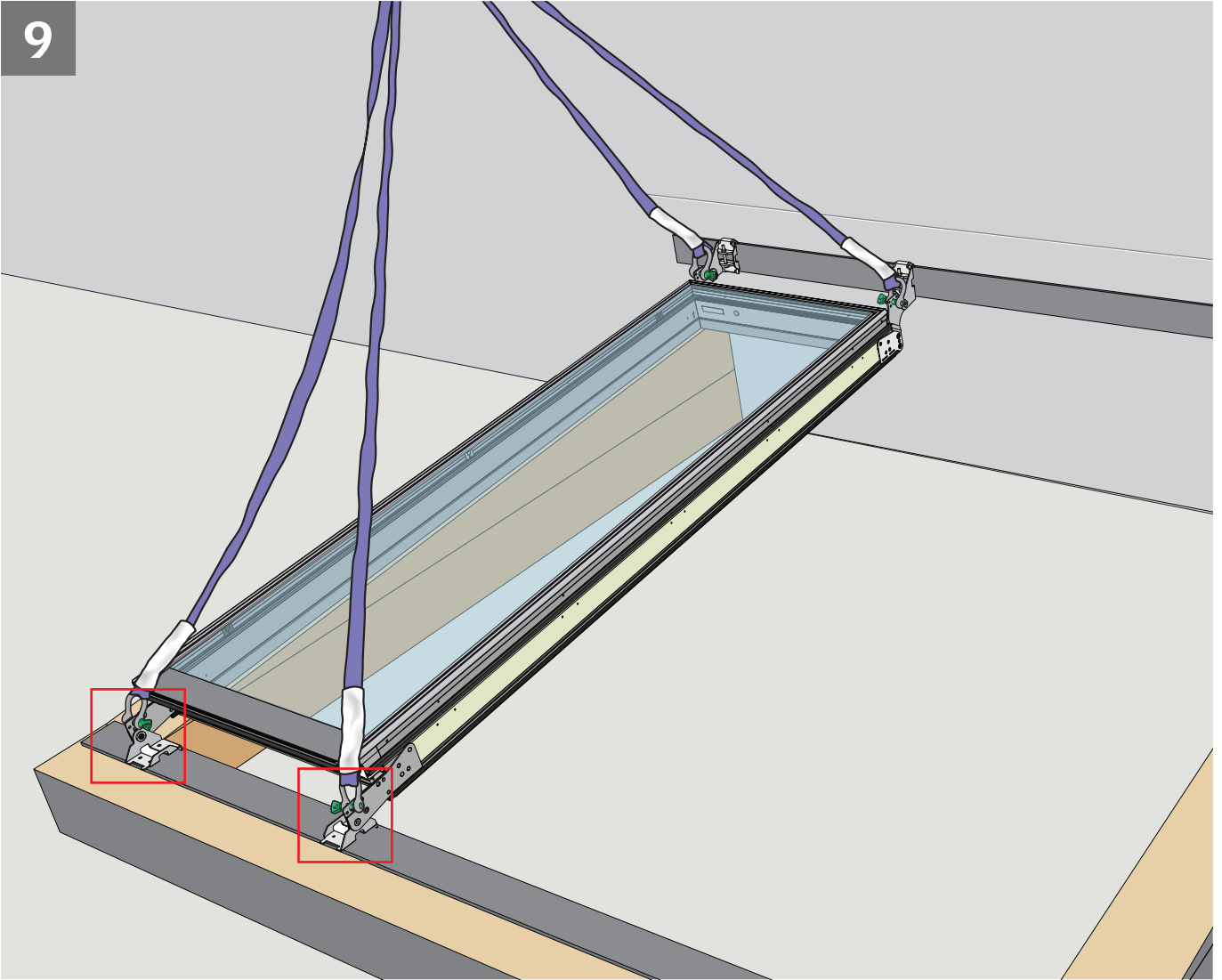
A2-W



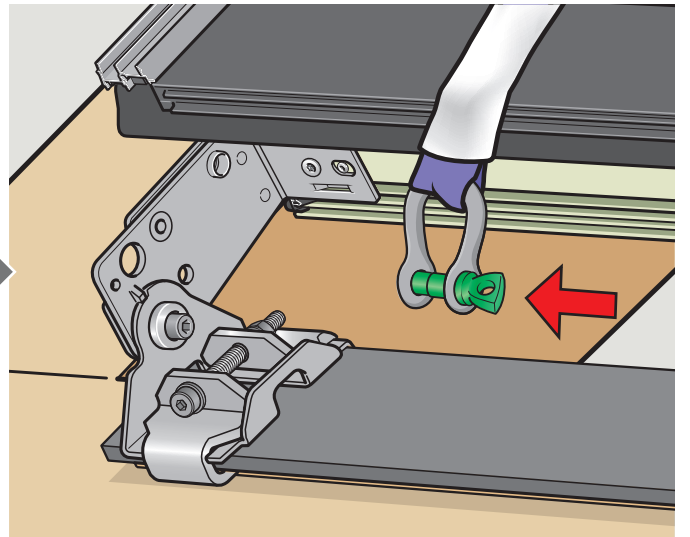
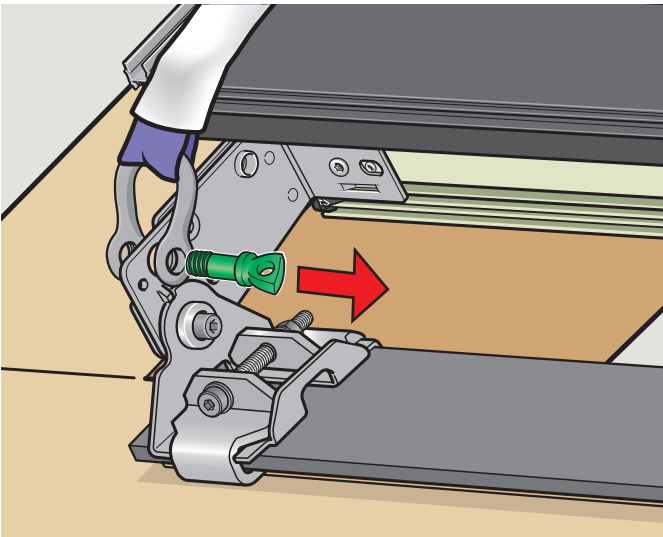
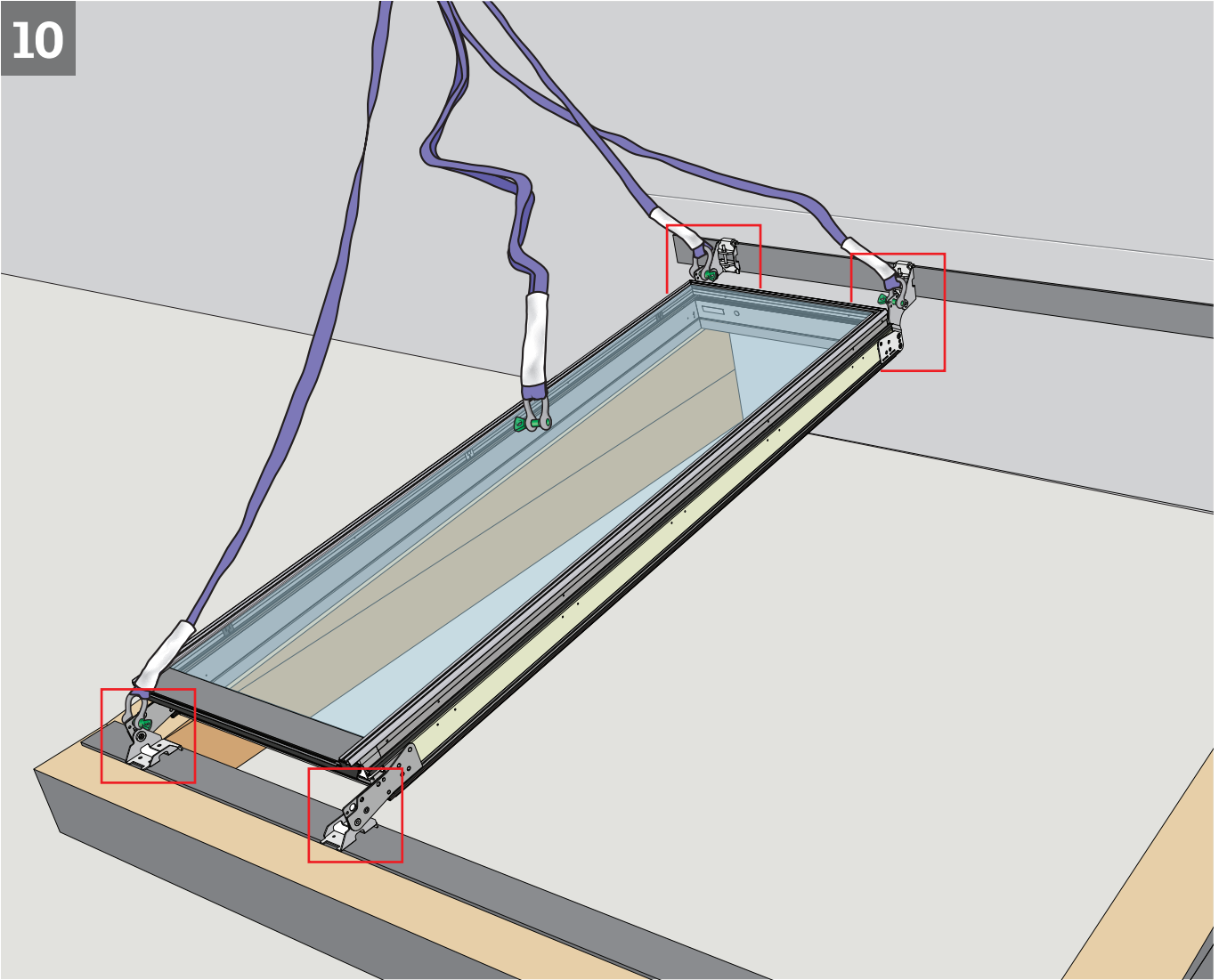
8



9



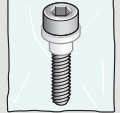
10



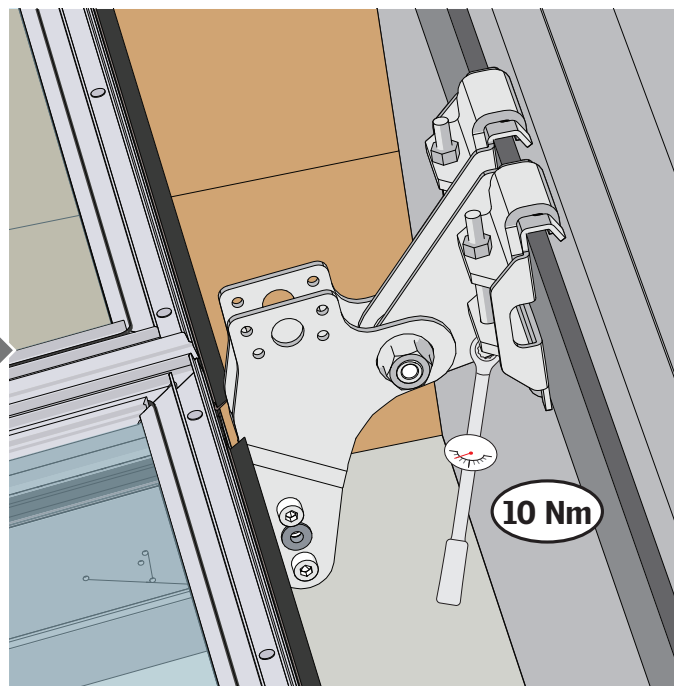
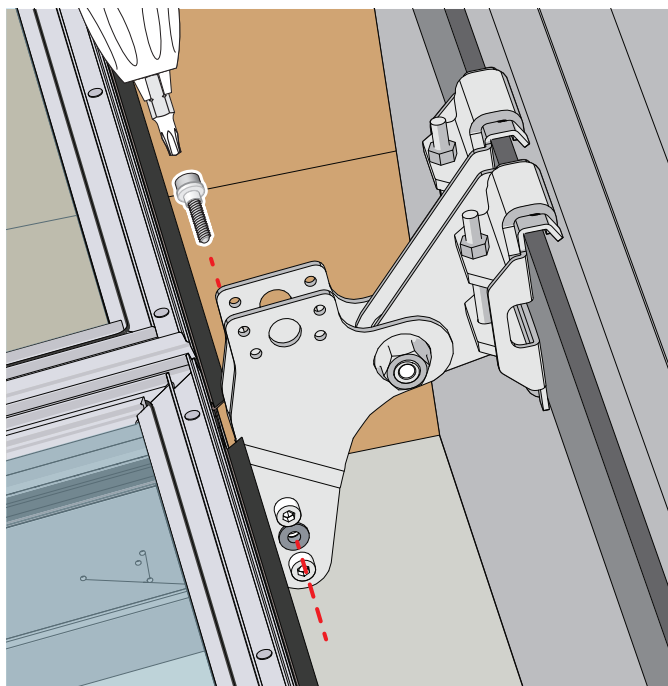
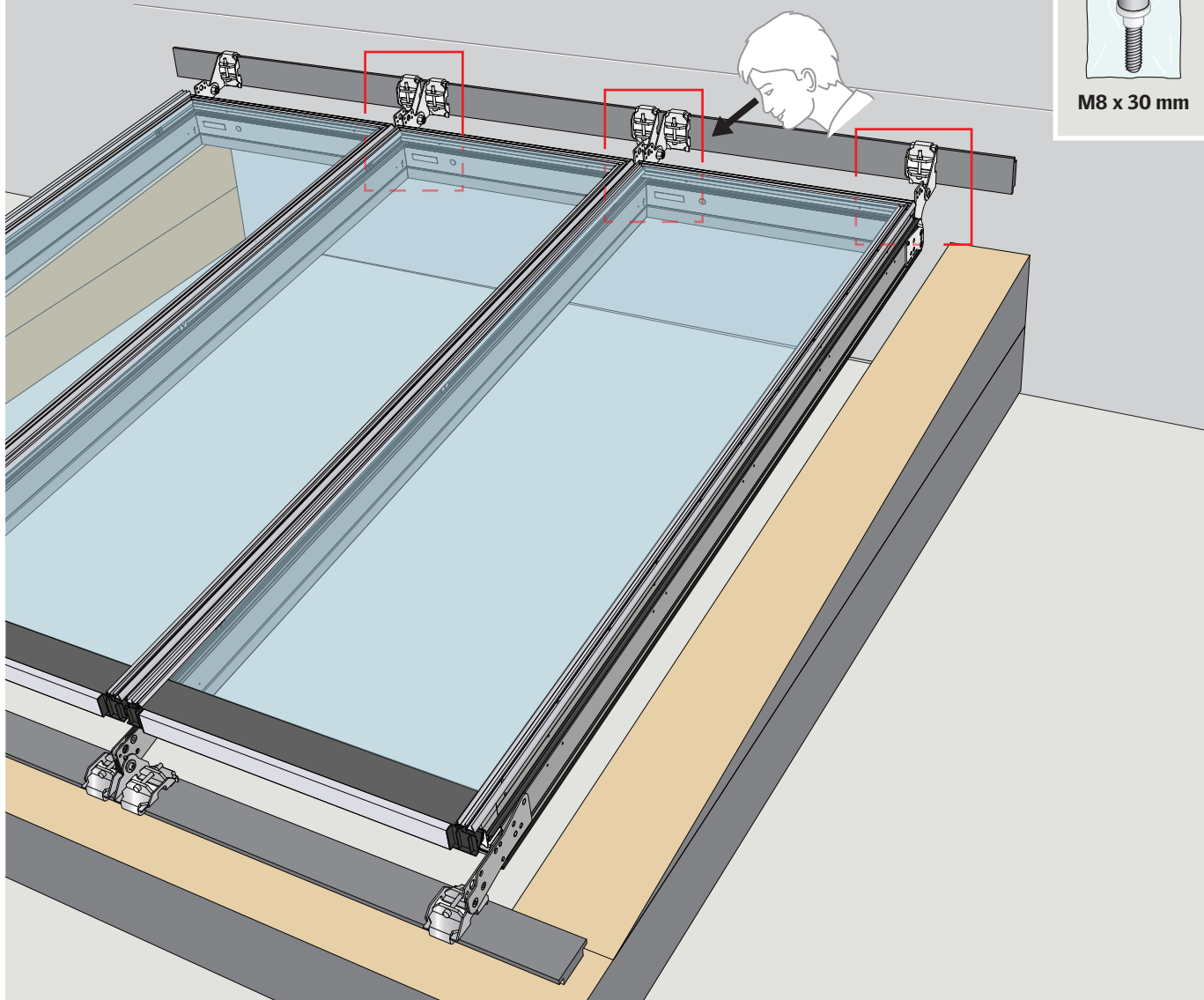
11

A2-W

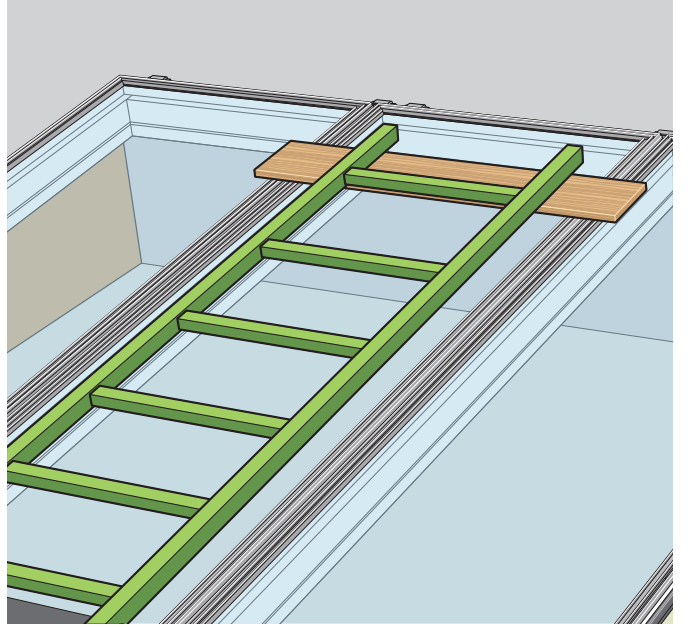
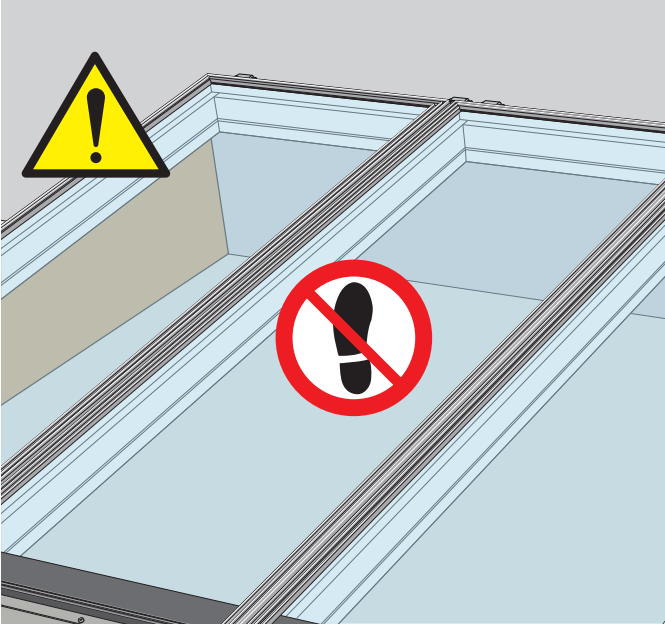
37



M8 x 30 mm



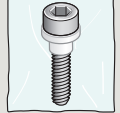




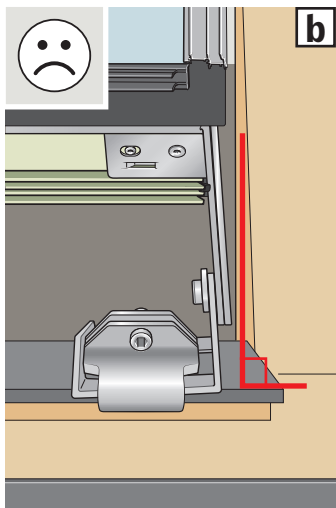
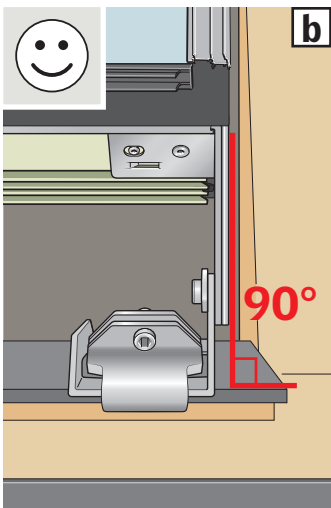
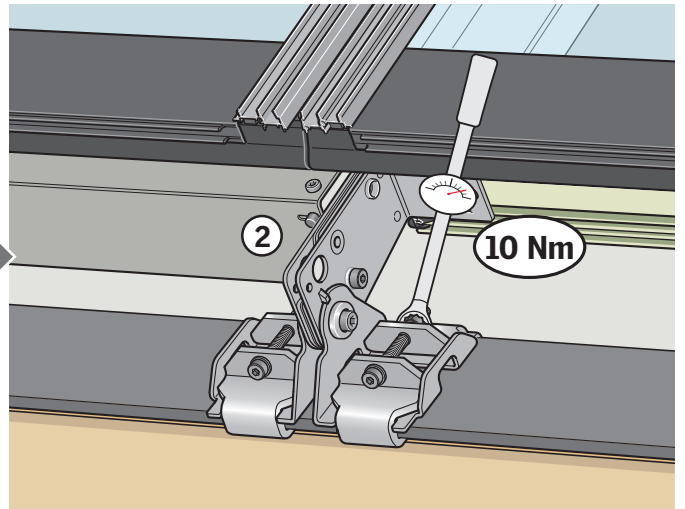
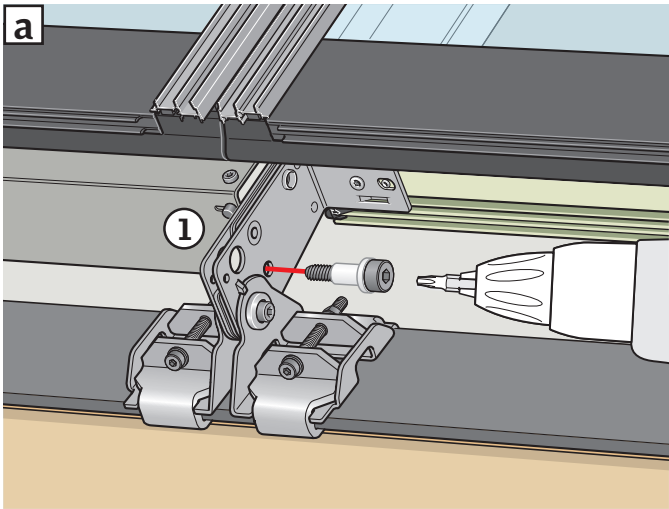
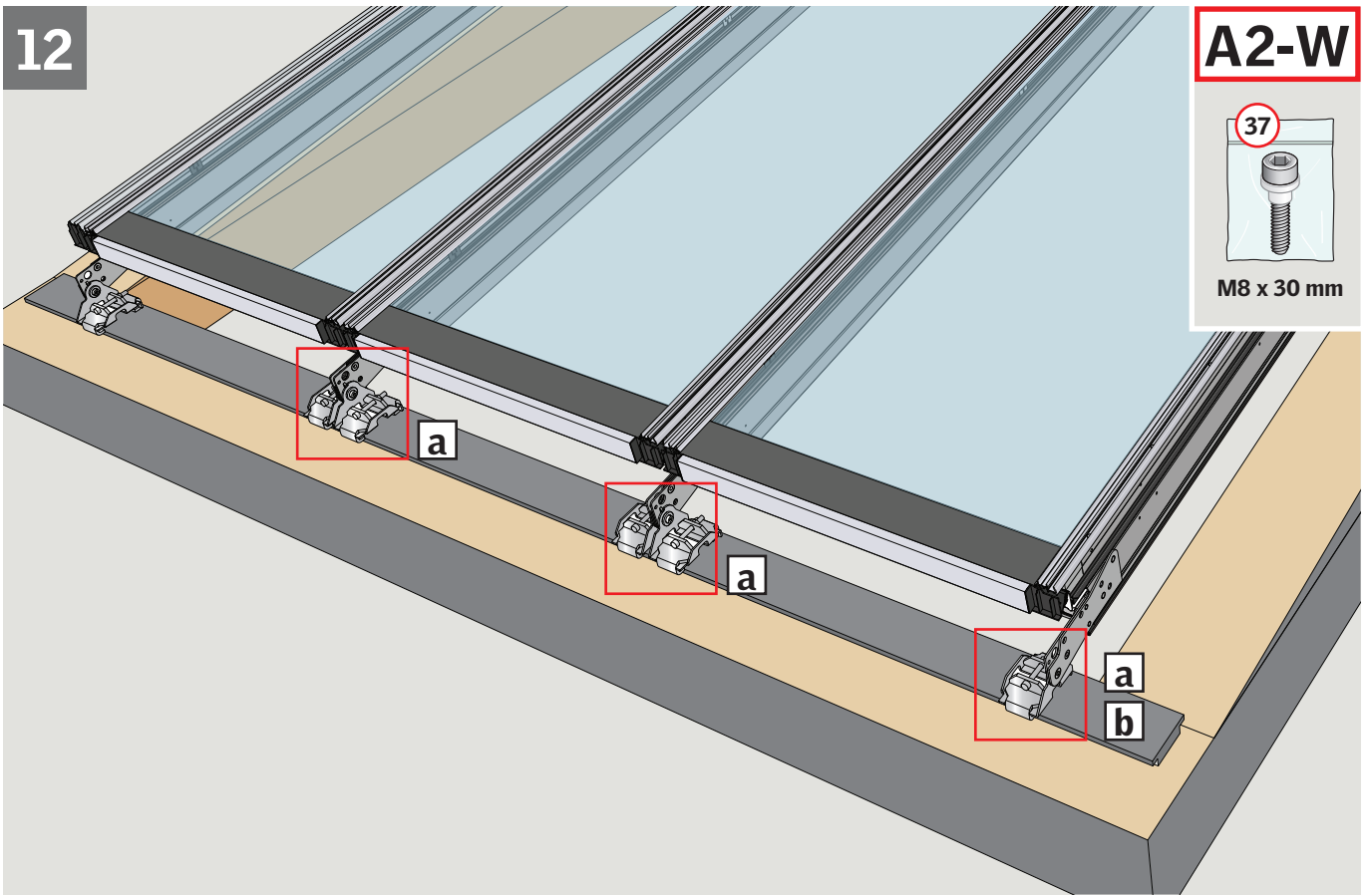
12

A2-W

37

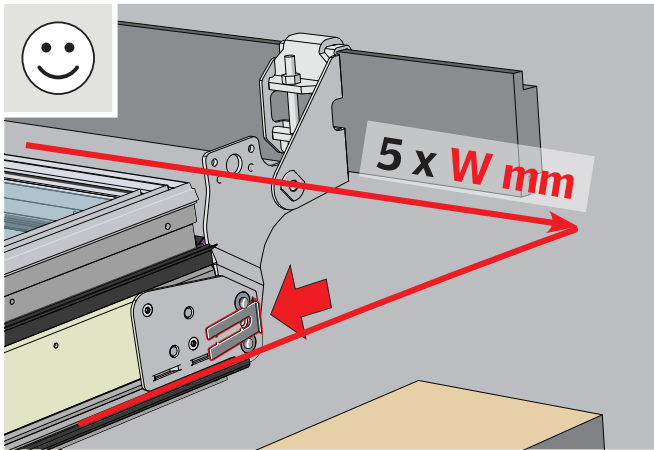
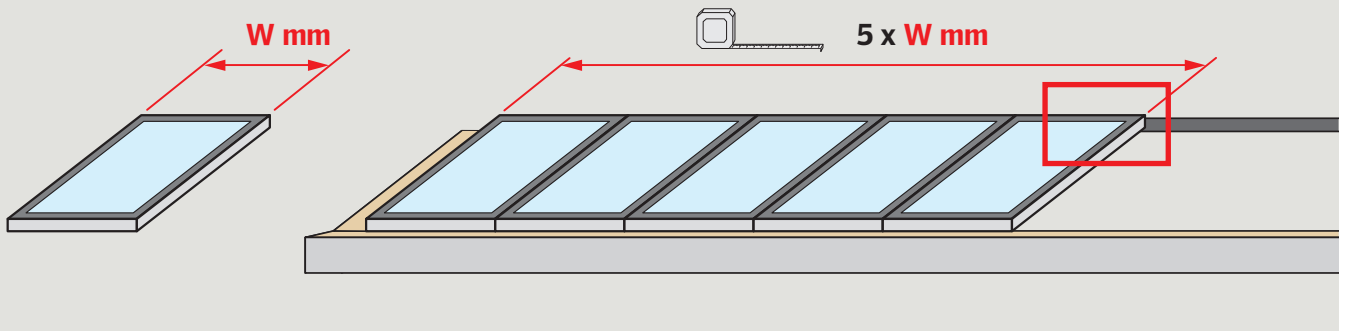


M8 x 30 mm

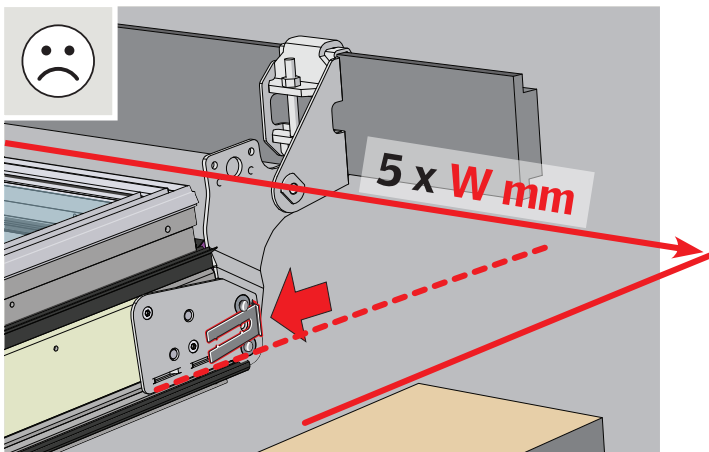




13

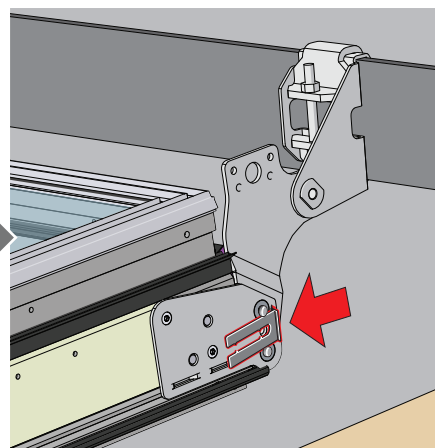
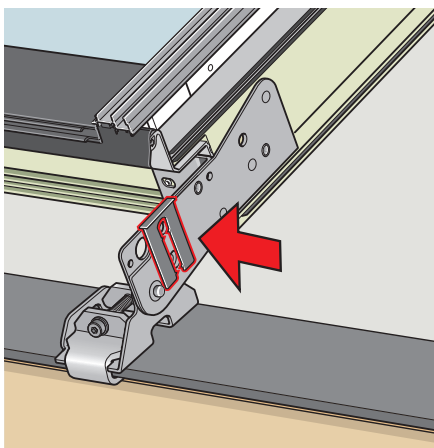
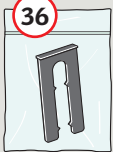


14



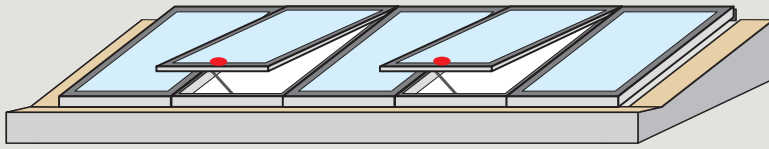
**A2-W**

36

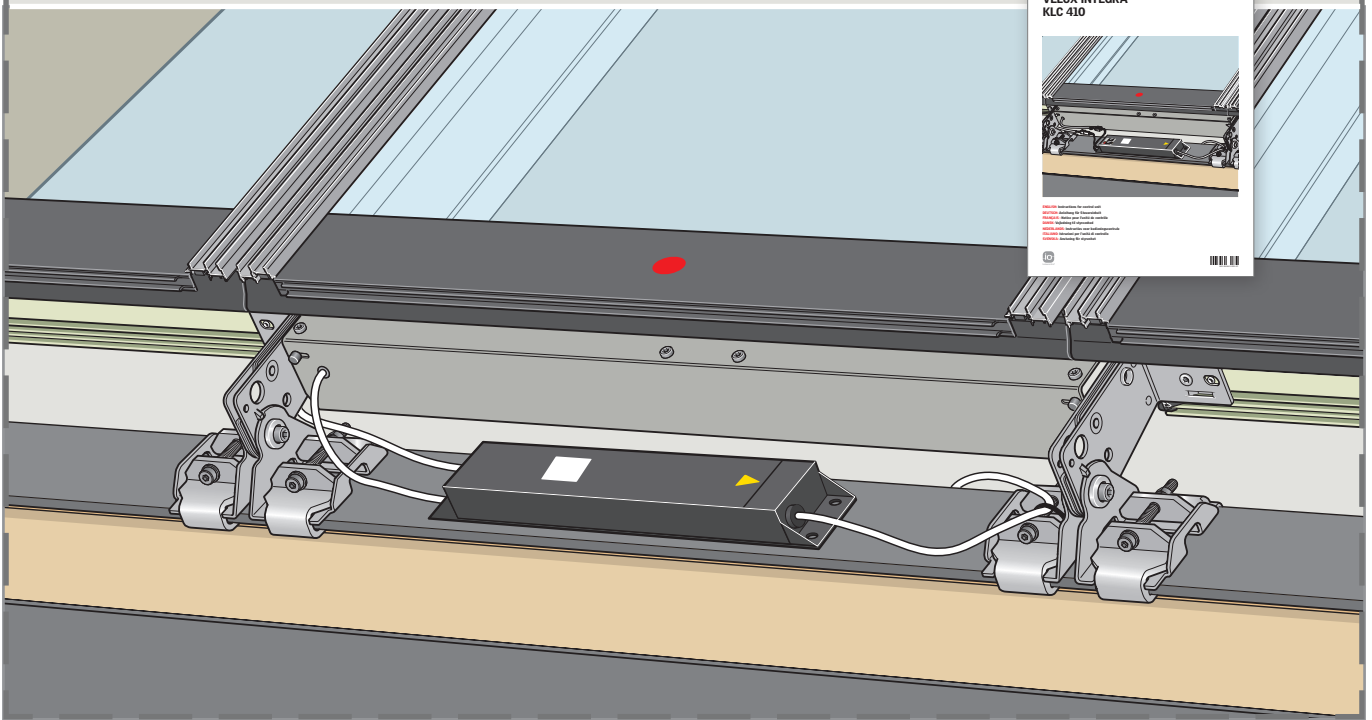
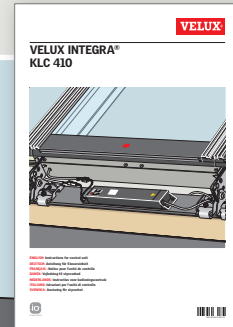


14

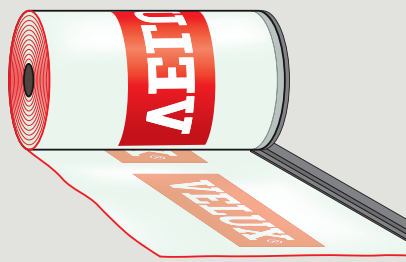
14



# KLC 410

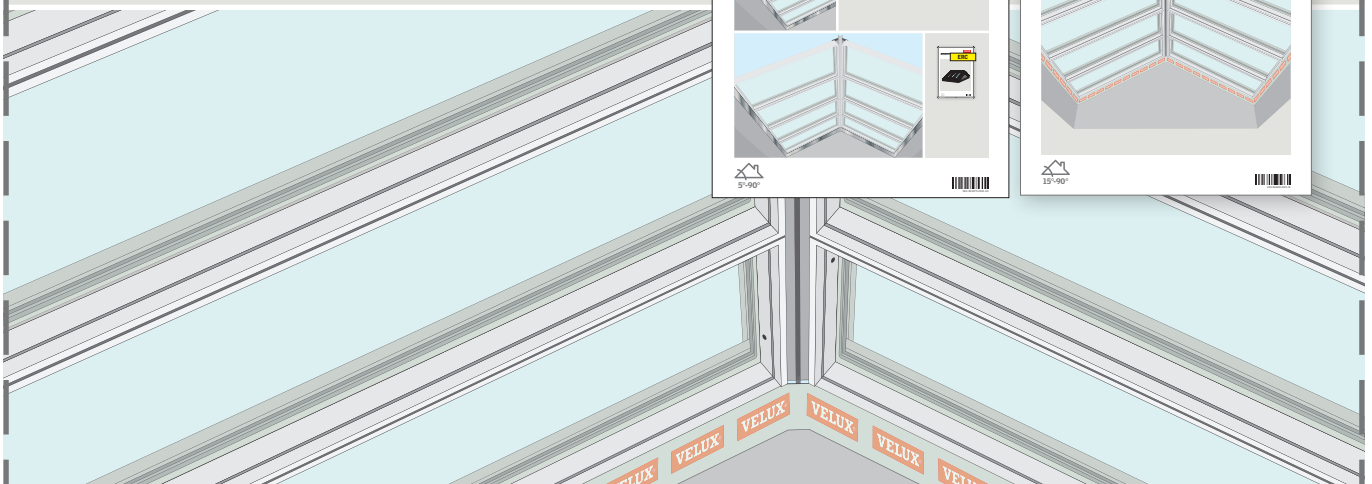
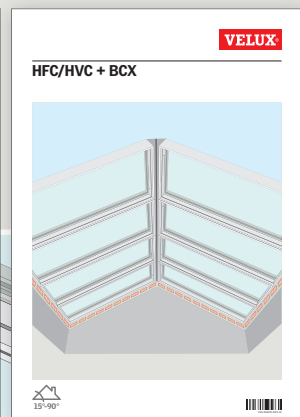
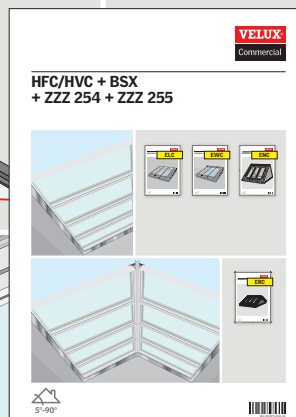


BCX/BSX



## BSX

## BCX



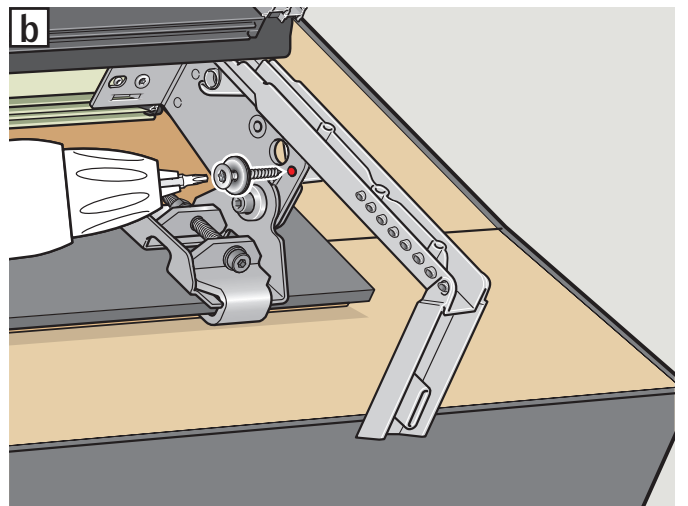
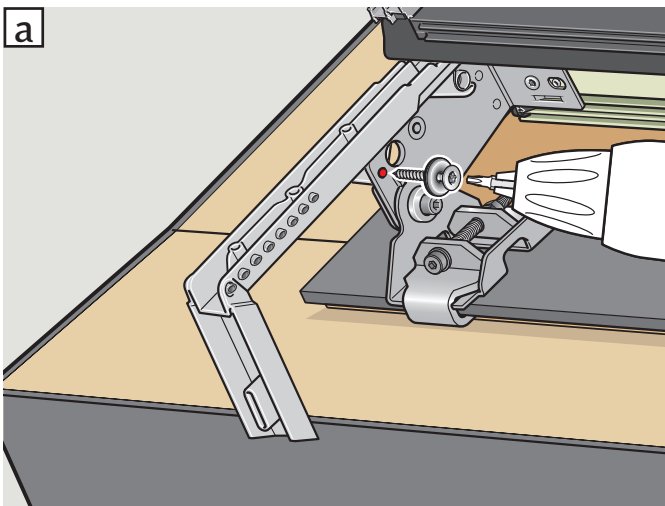
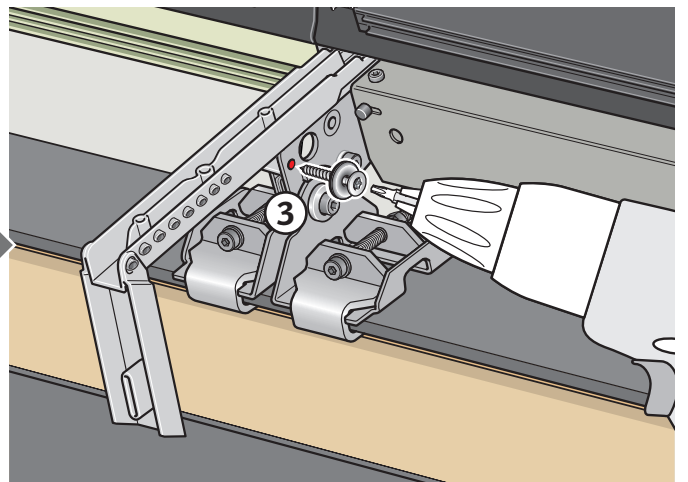
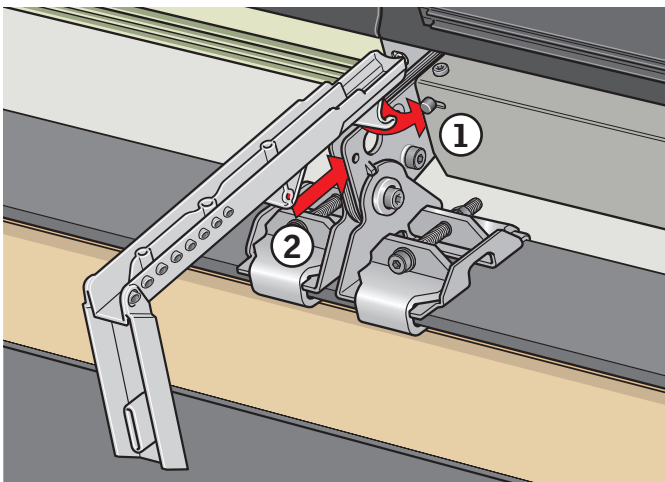
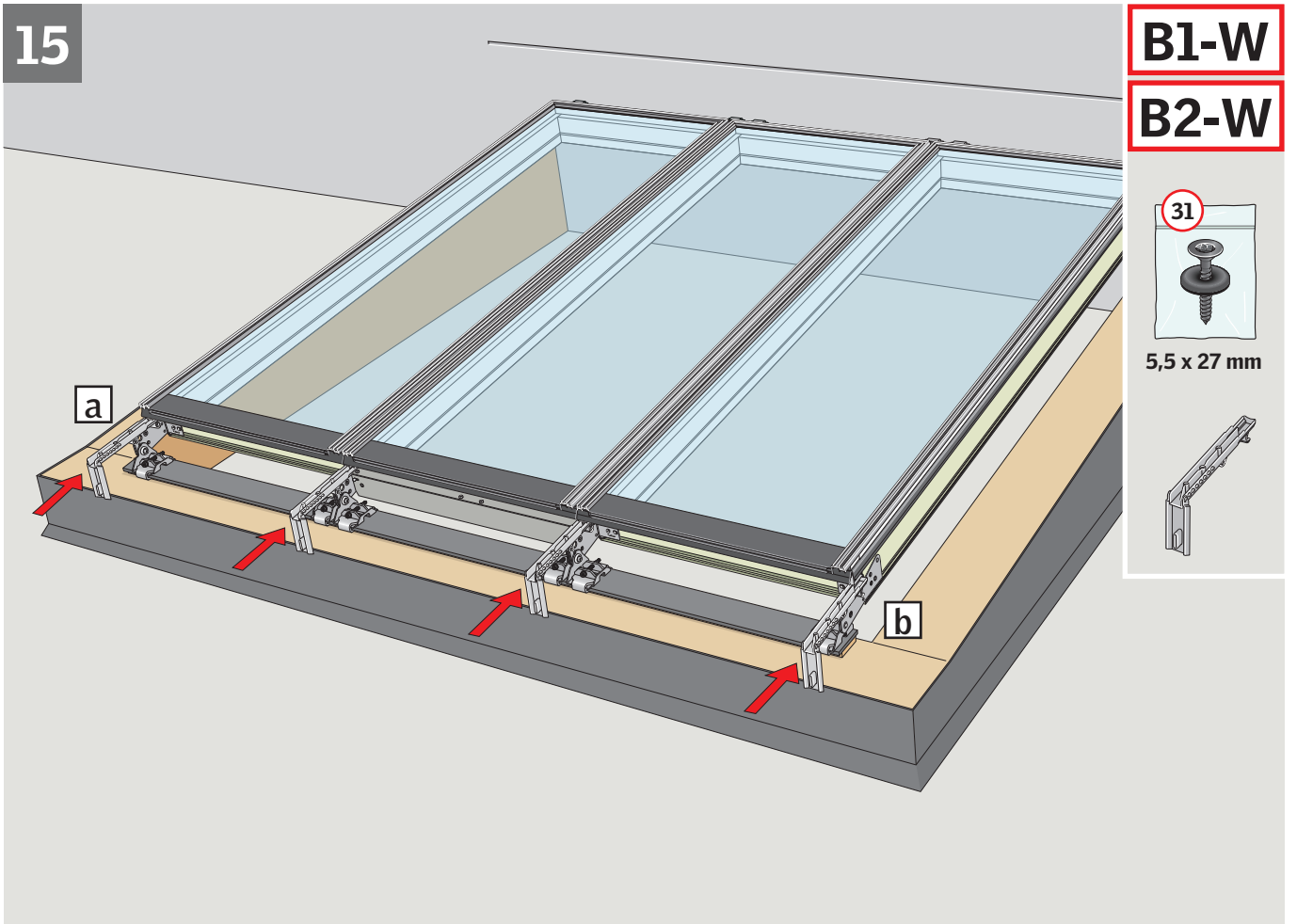
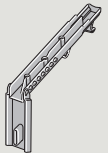
15

B1-W

B2-W

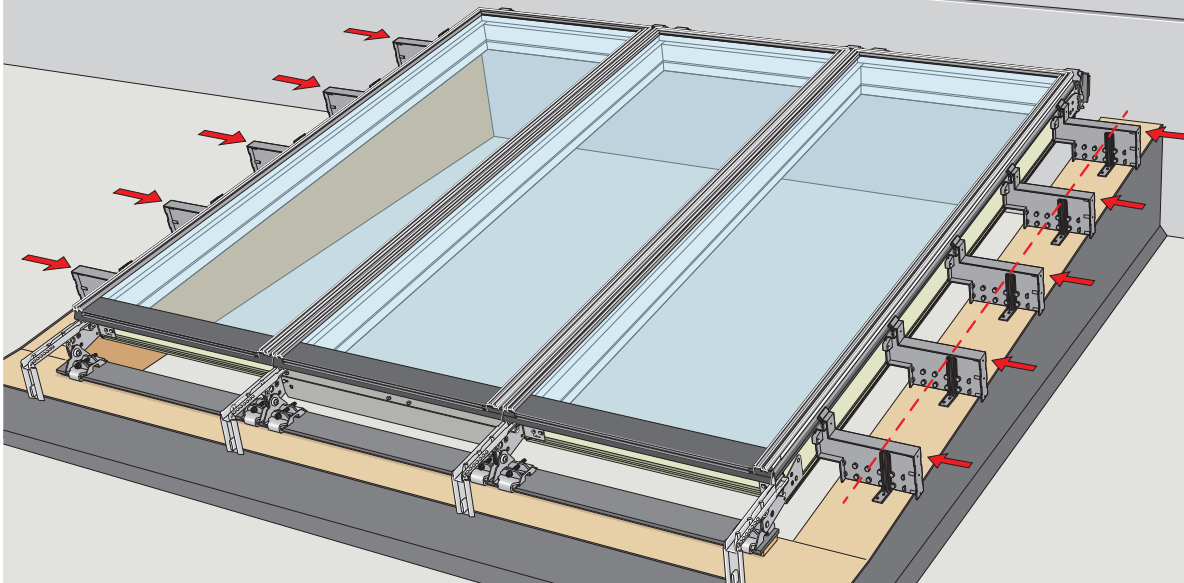


5,5 x 27 mm



16

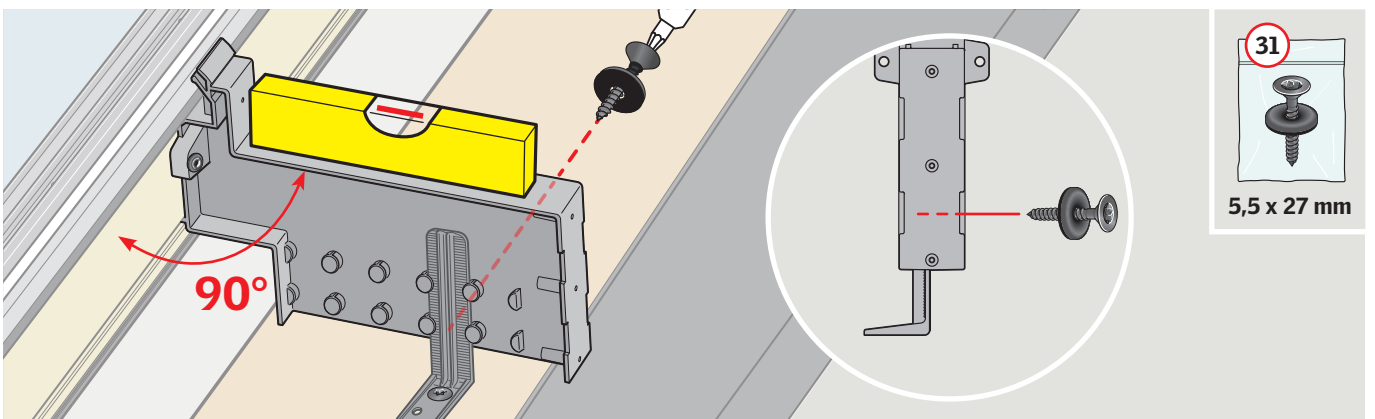
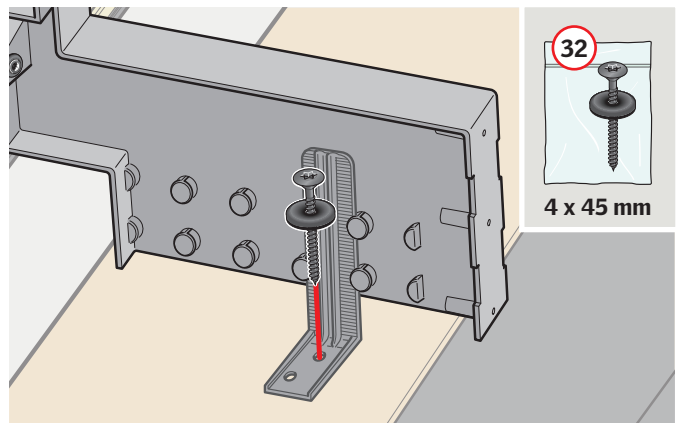
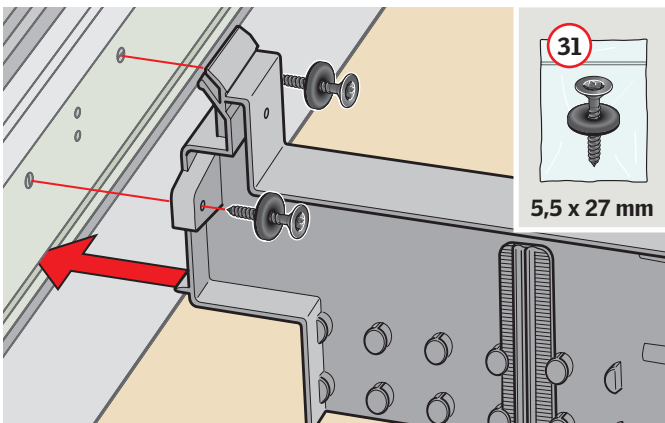
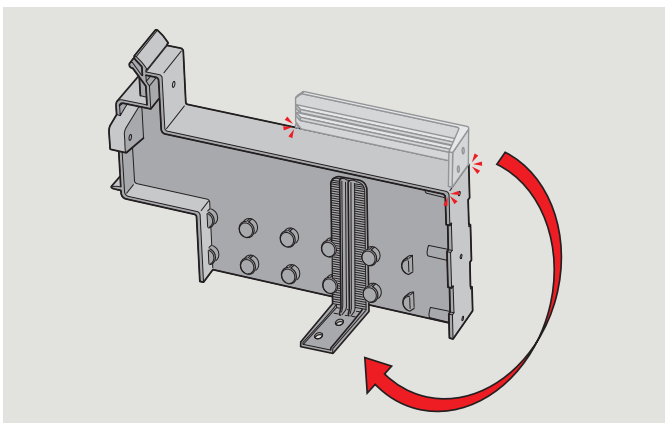
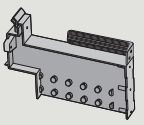
**B2-W**

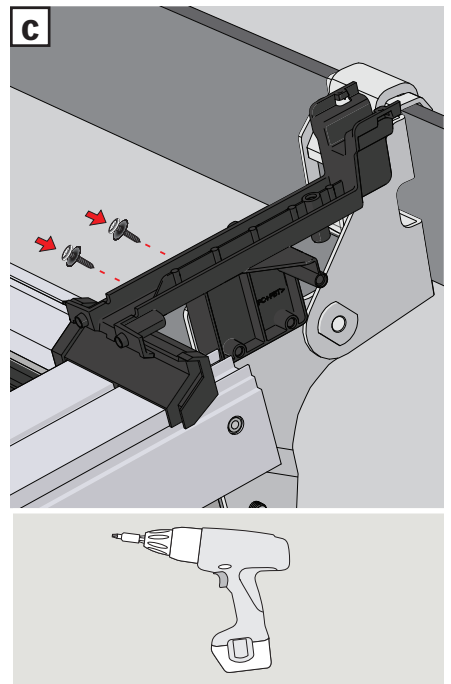
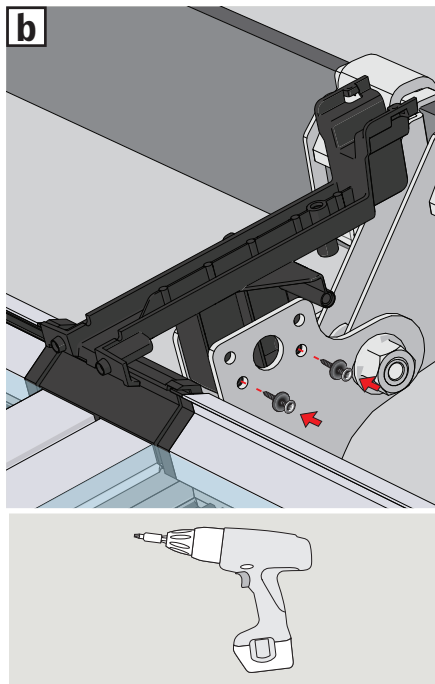
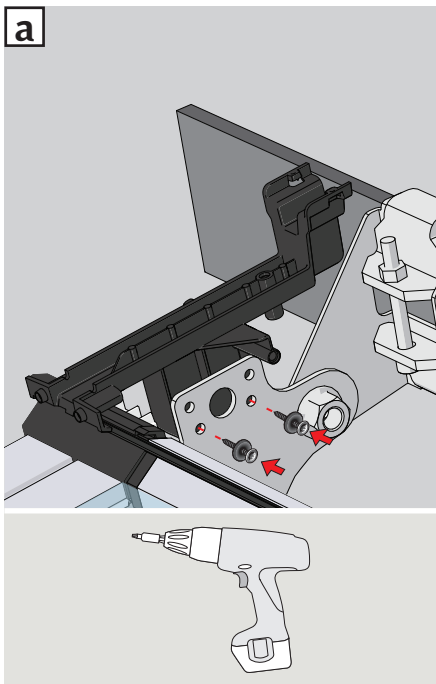
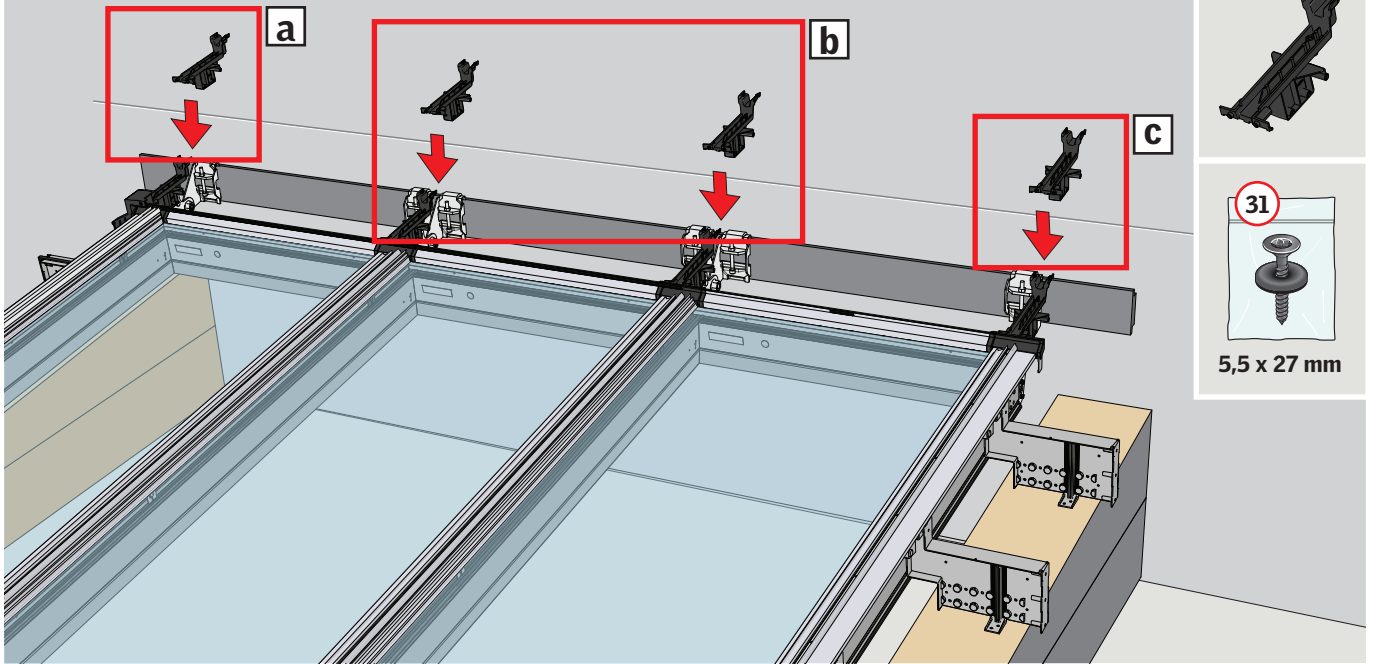


5,5 x 27 mm



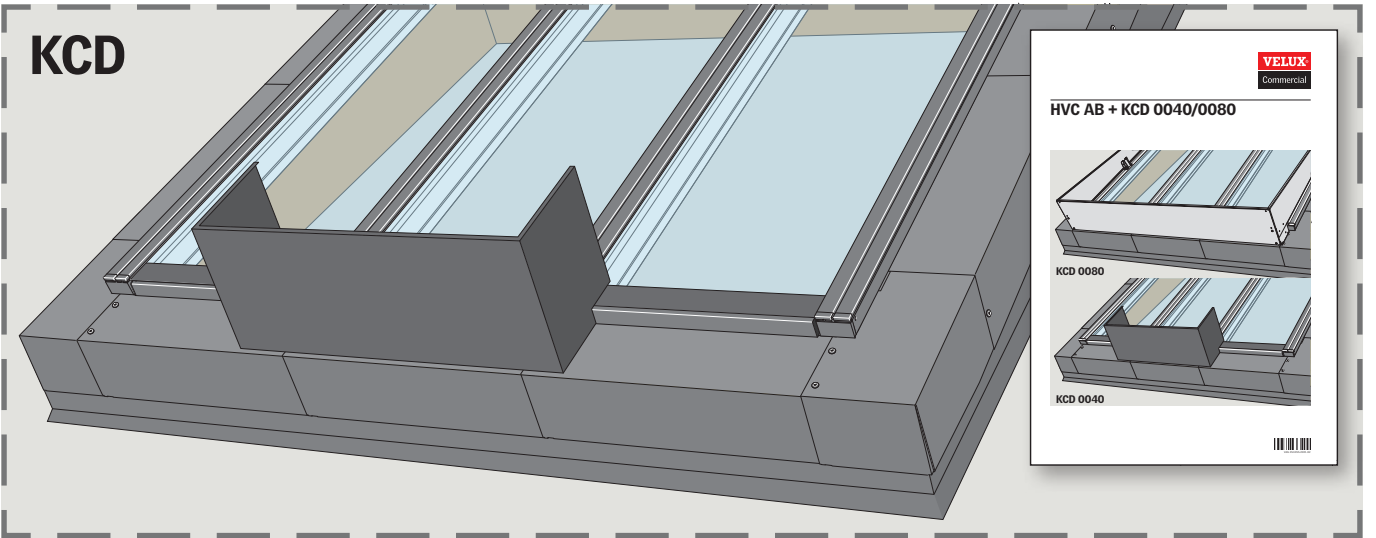
4 x 45 mm



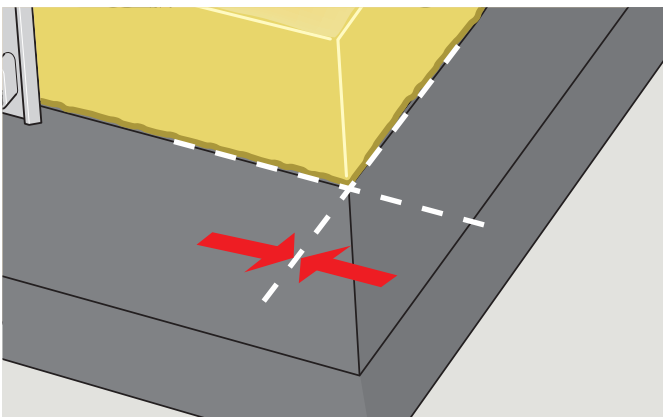
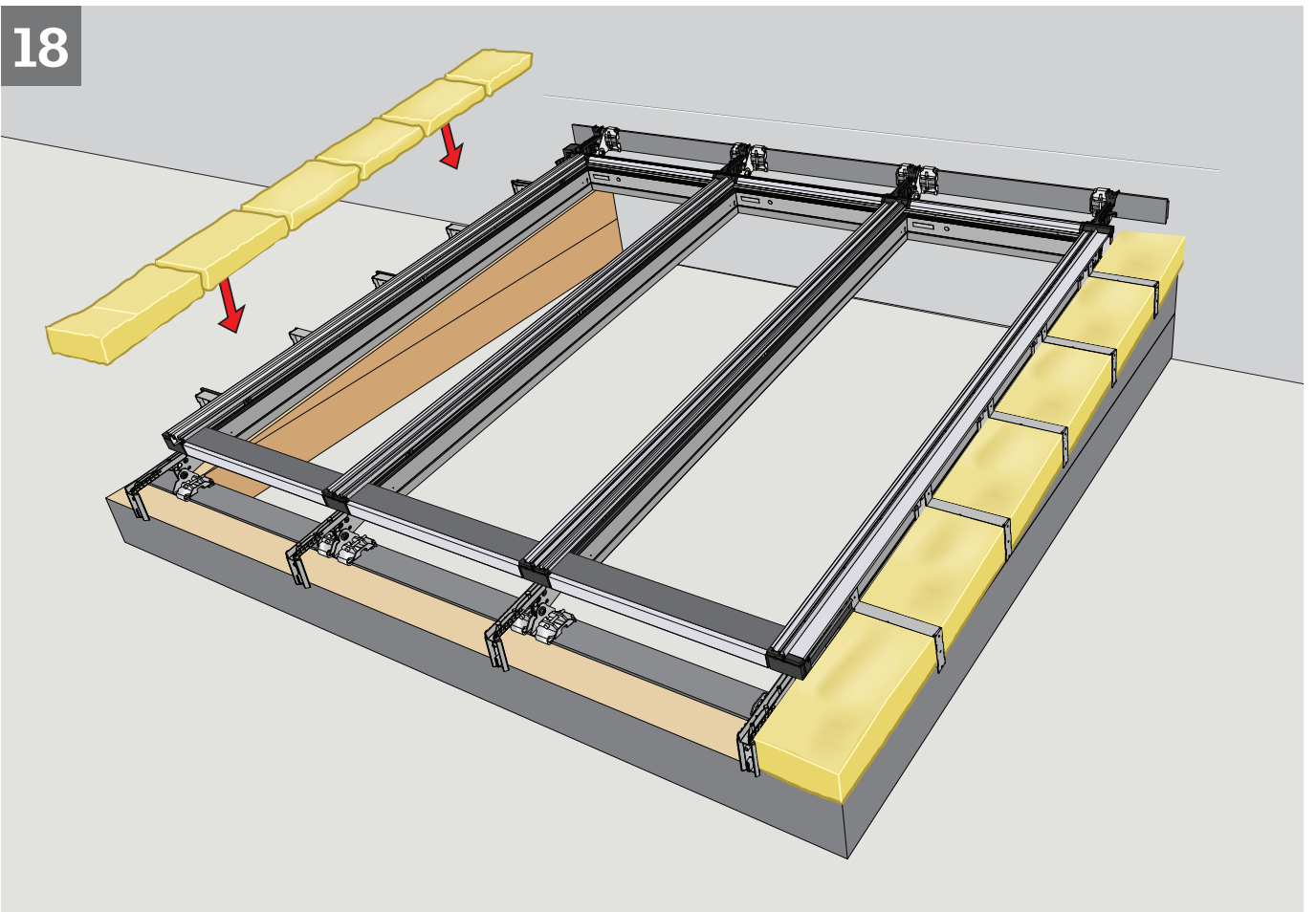




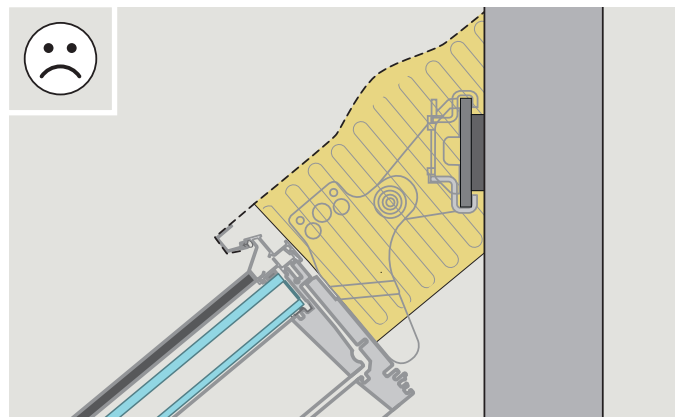
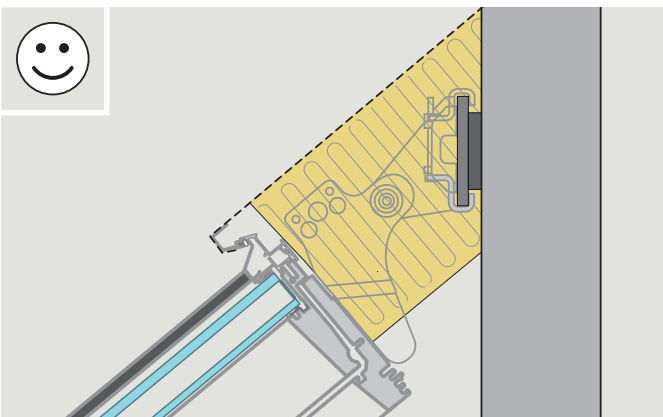
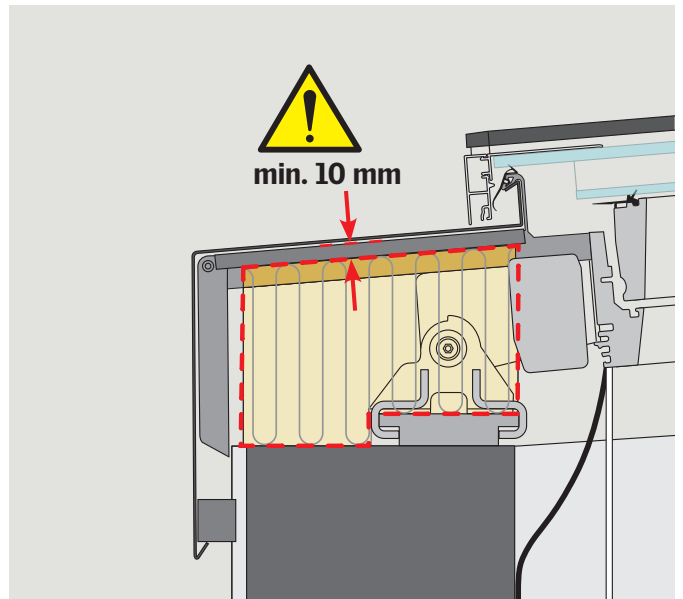
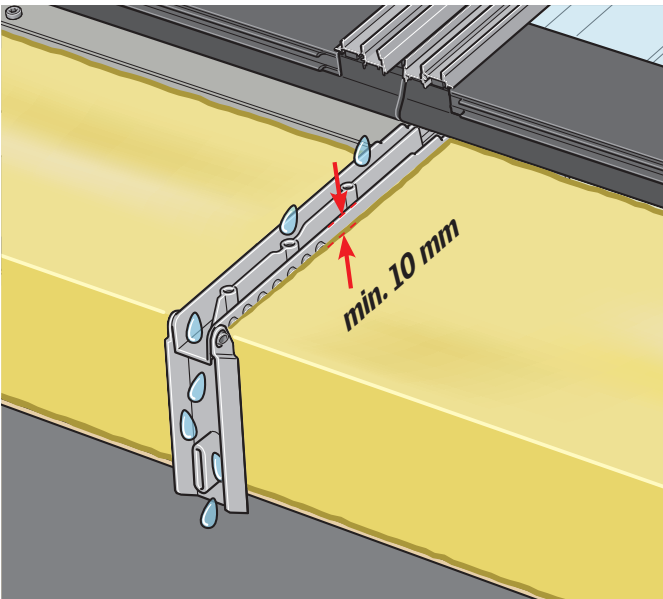
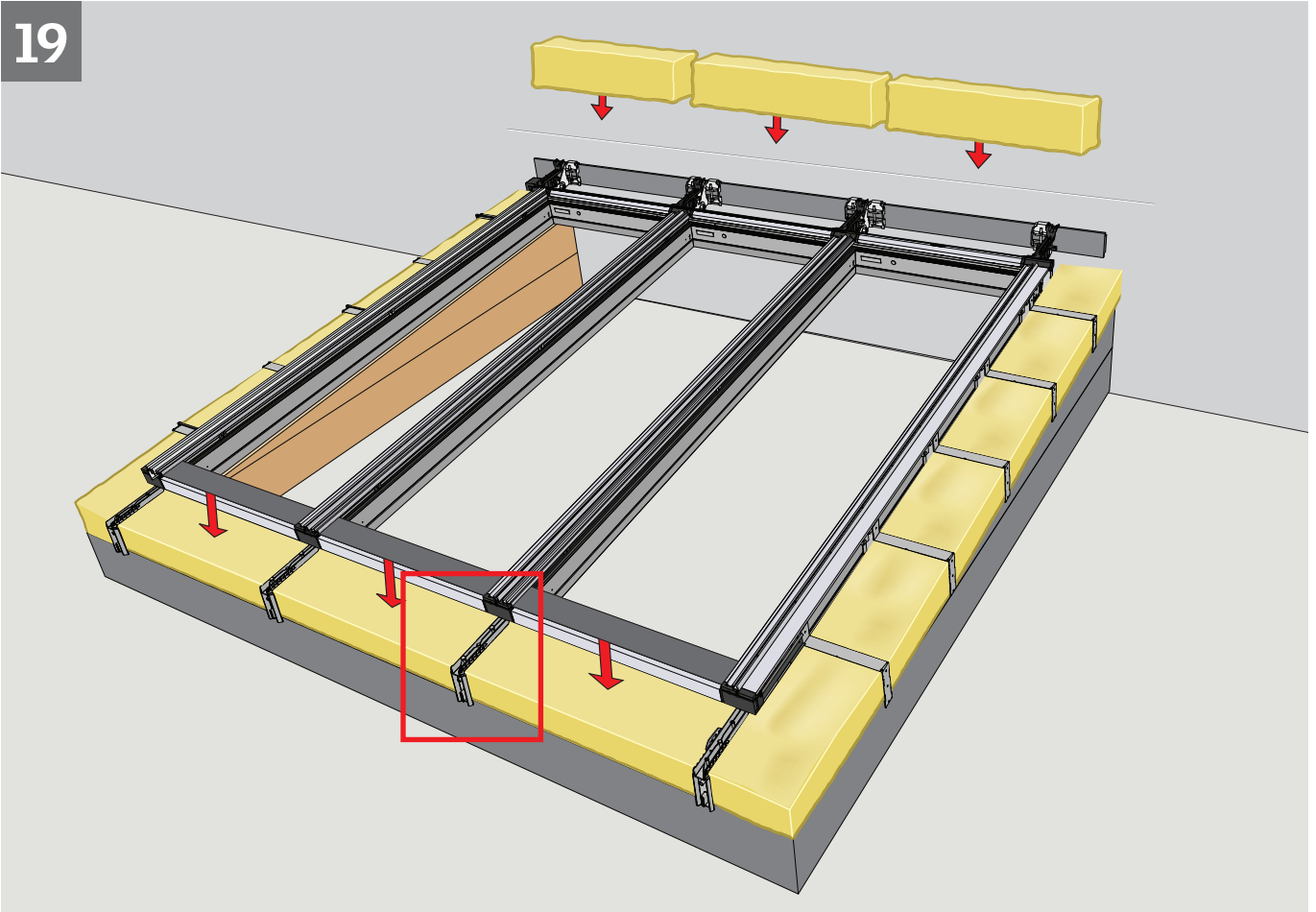
KCD

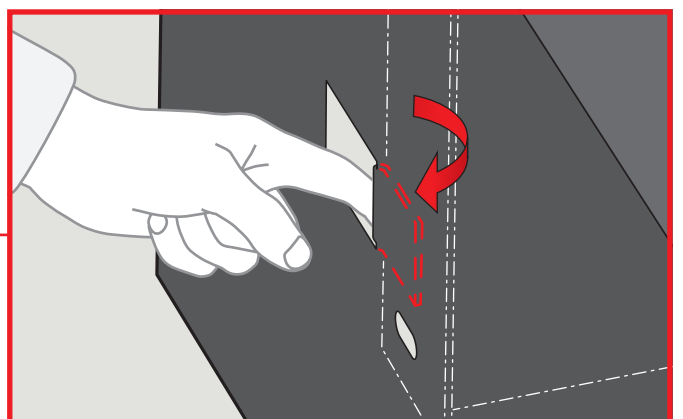
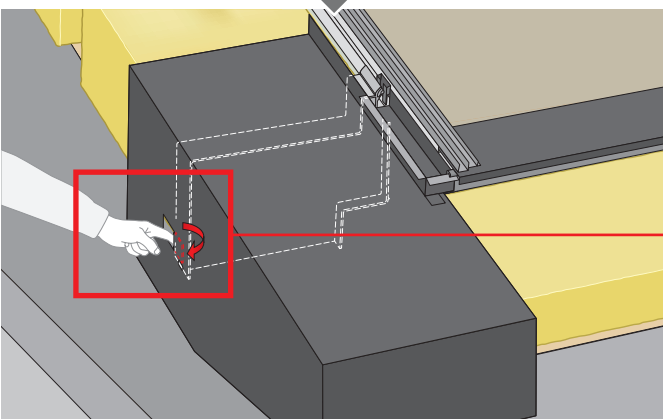
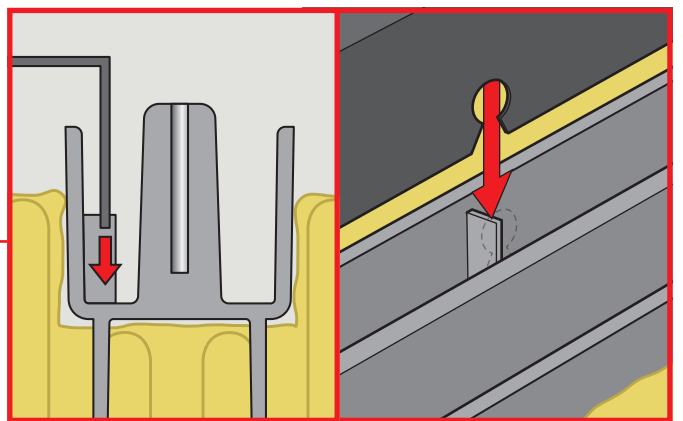
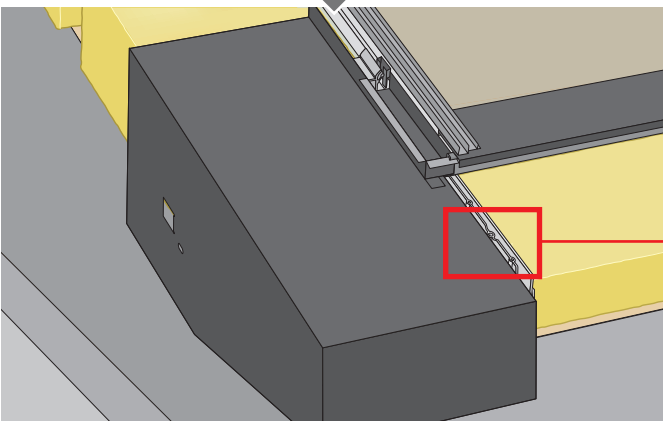
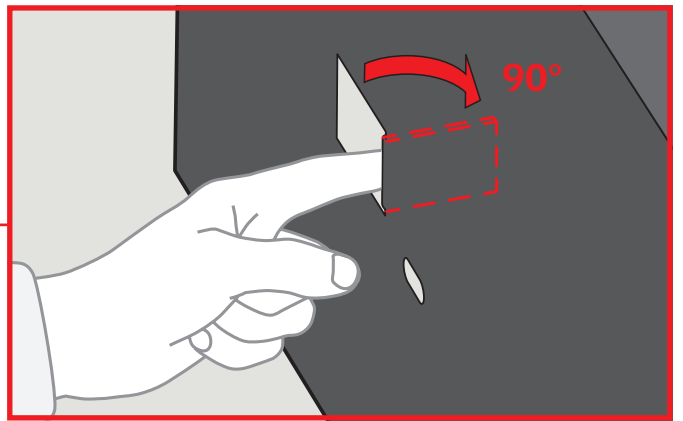
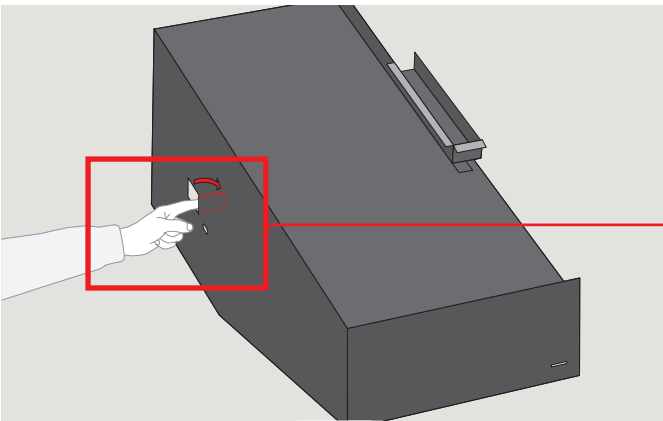
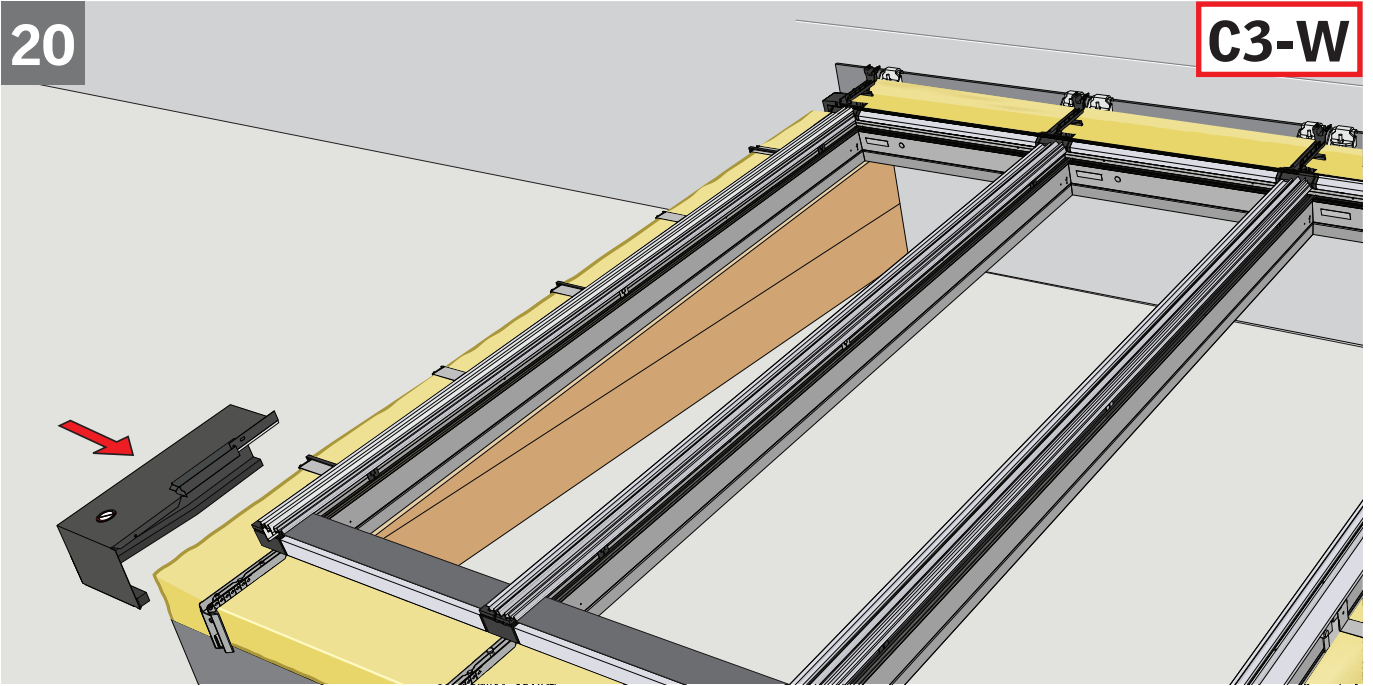


18



19





21

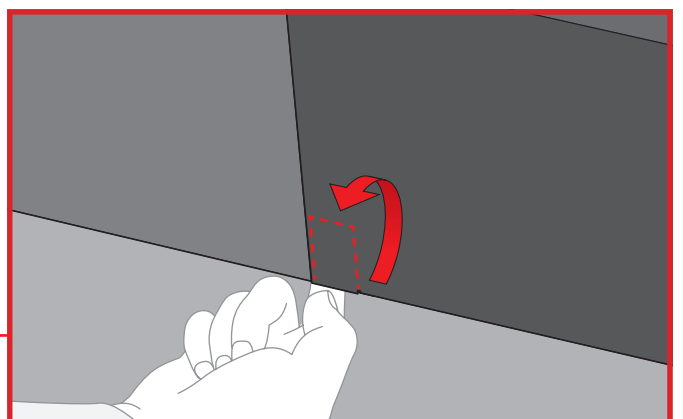
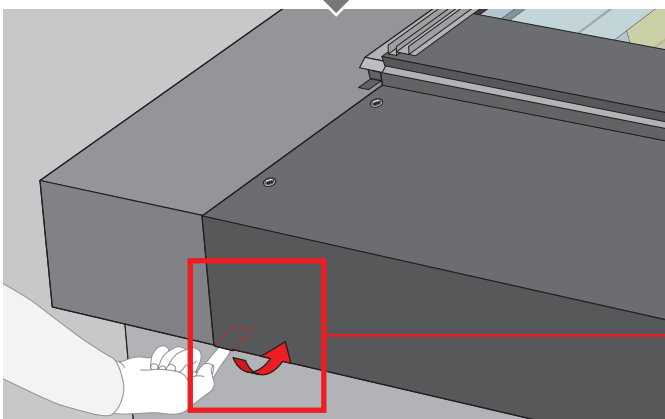
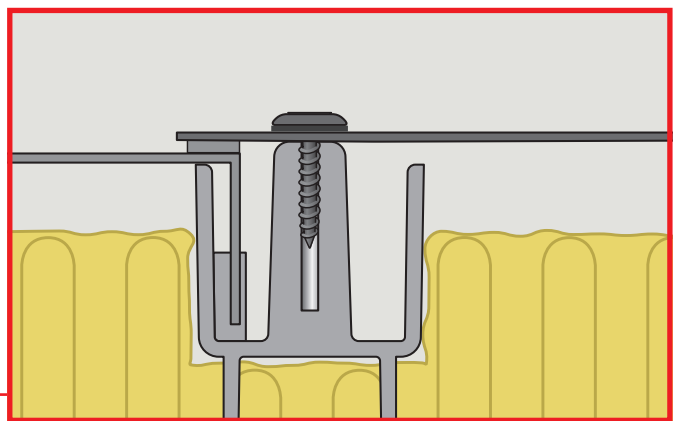
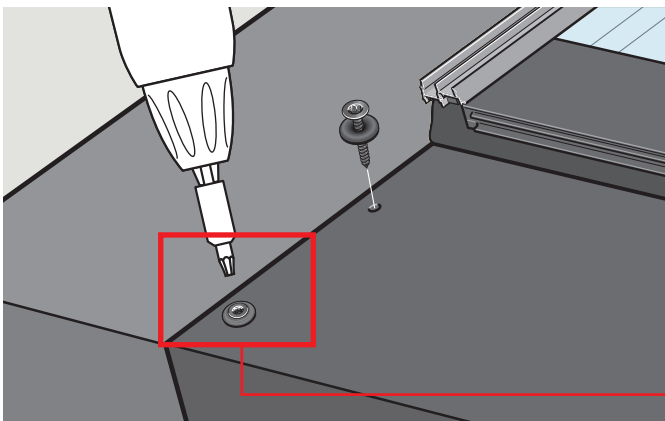
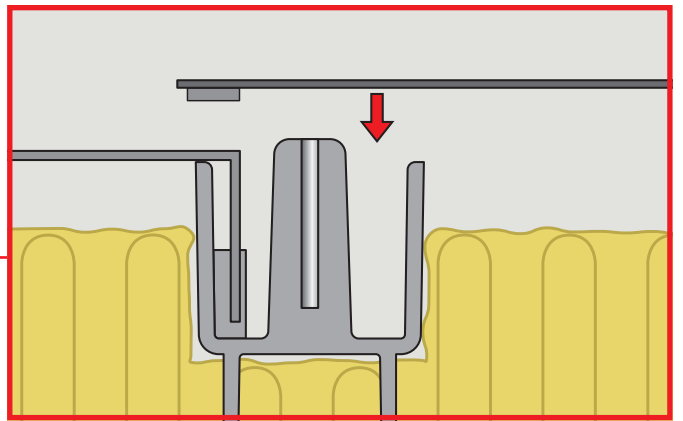
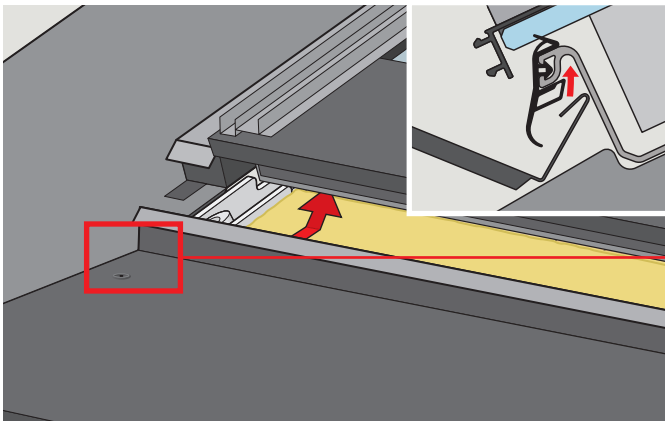
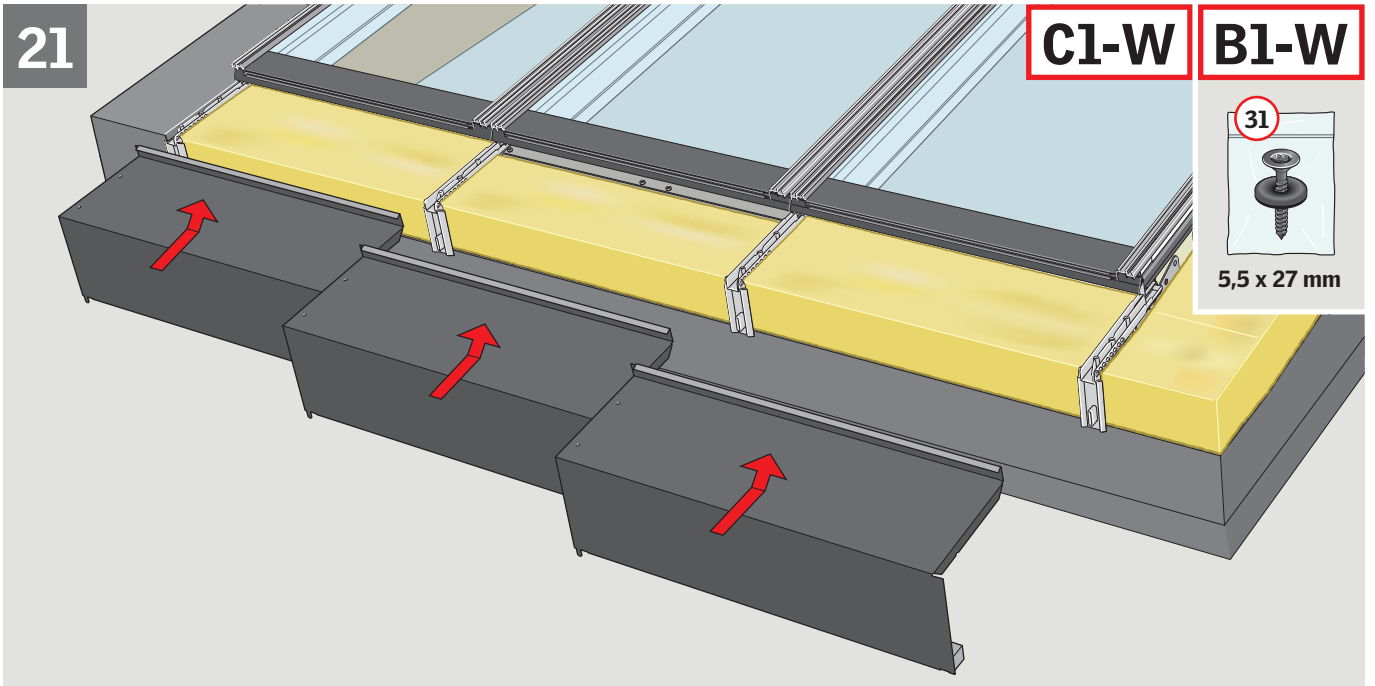
C1-W

B1-W

31



5,5 x 27 mm



22

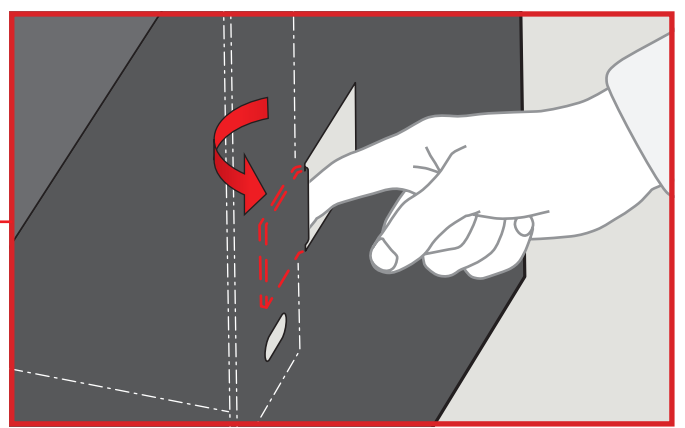
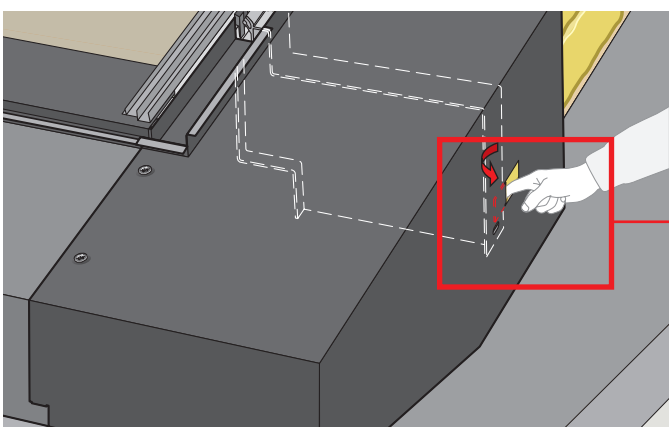
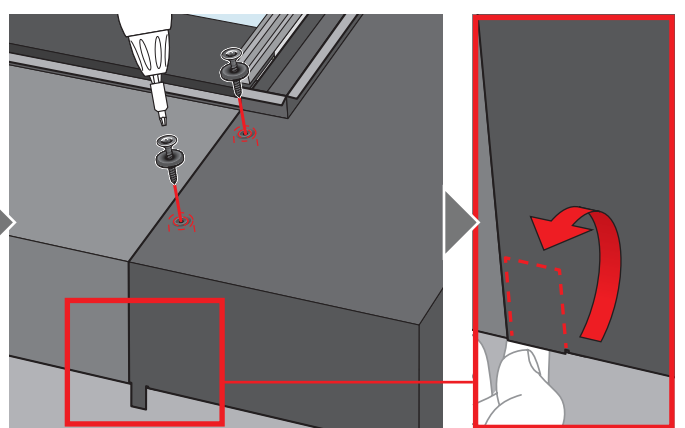
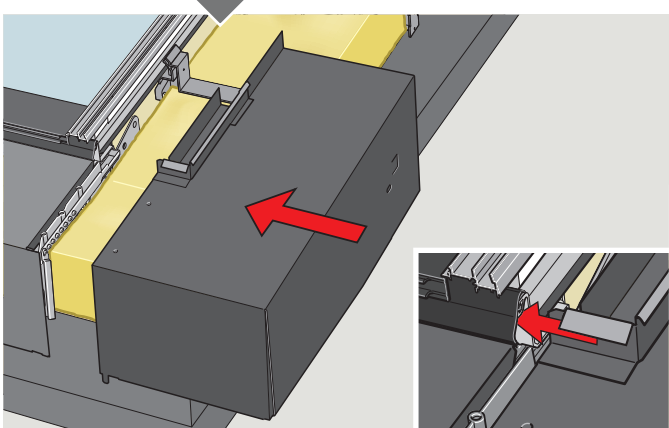
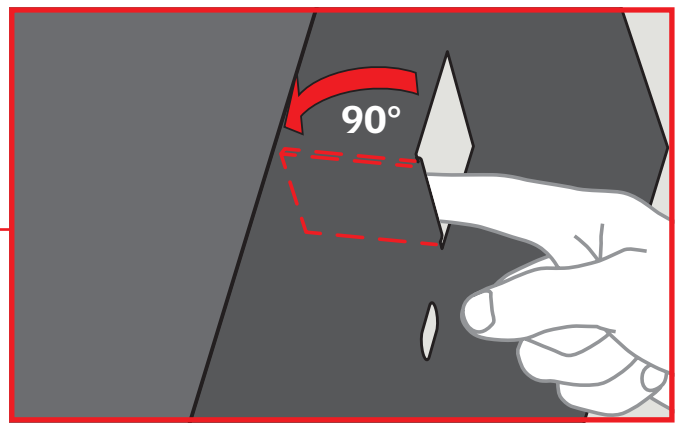
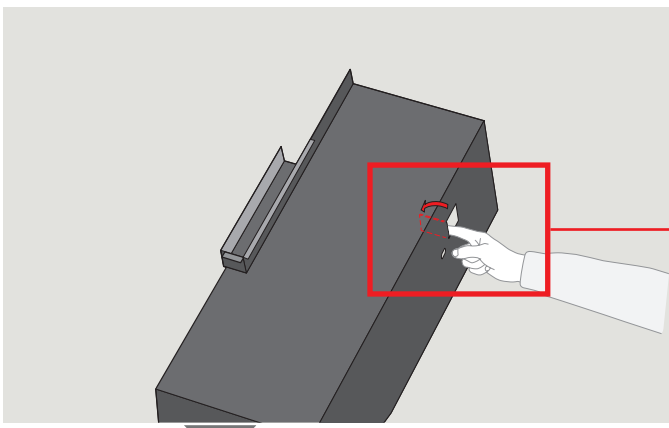
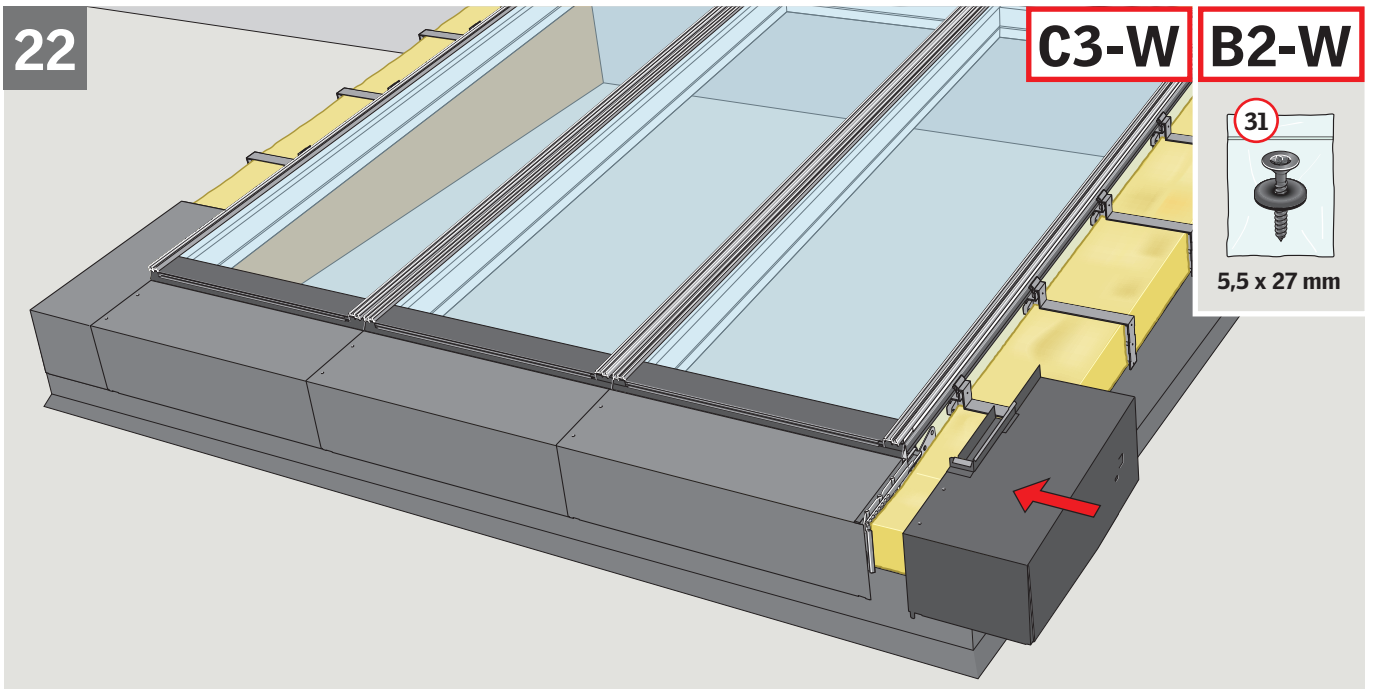
C3-W

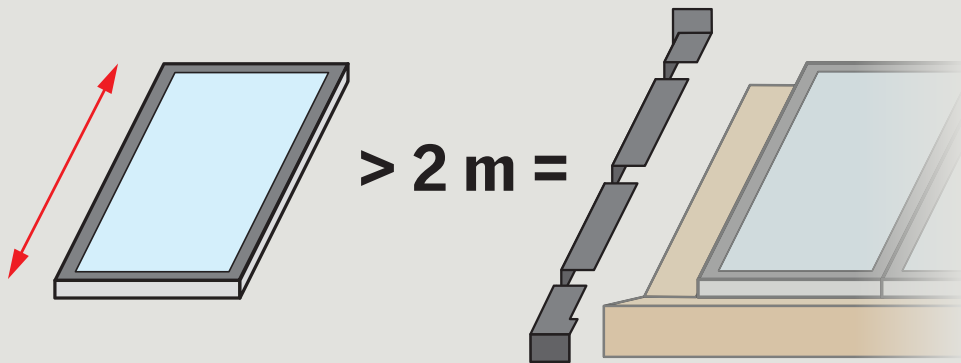
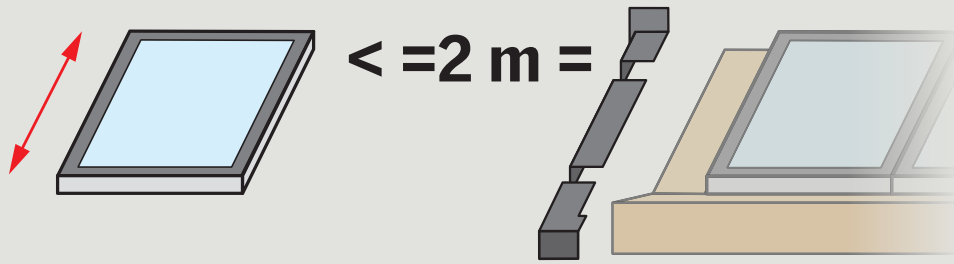
B2-W

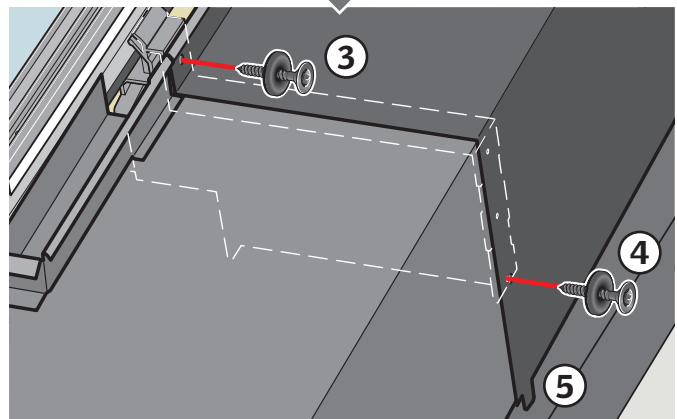
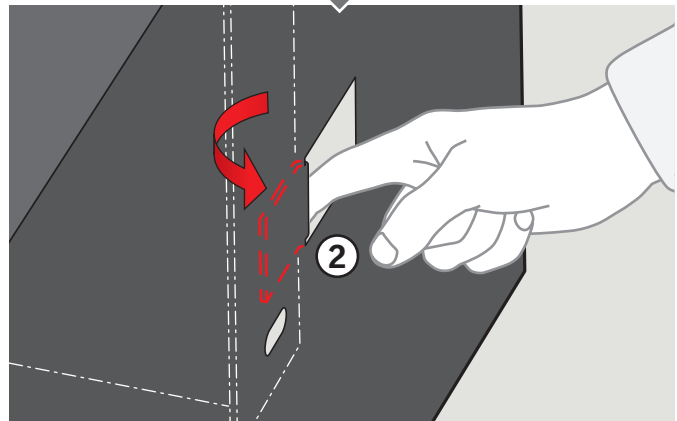
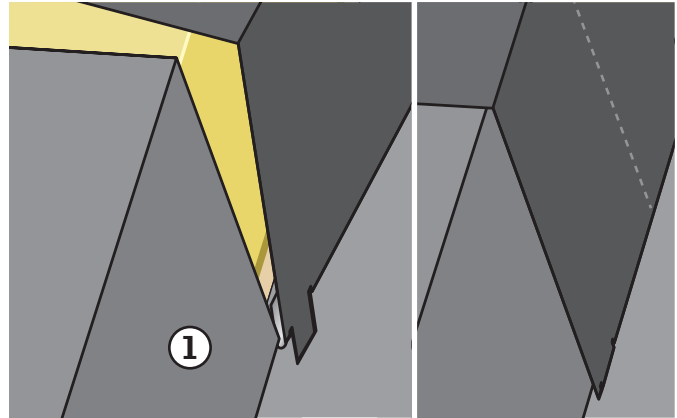
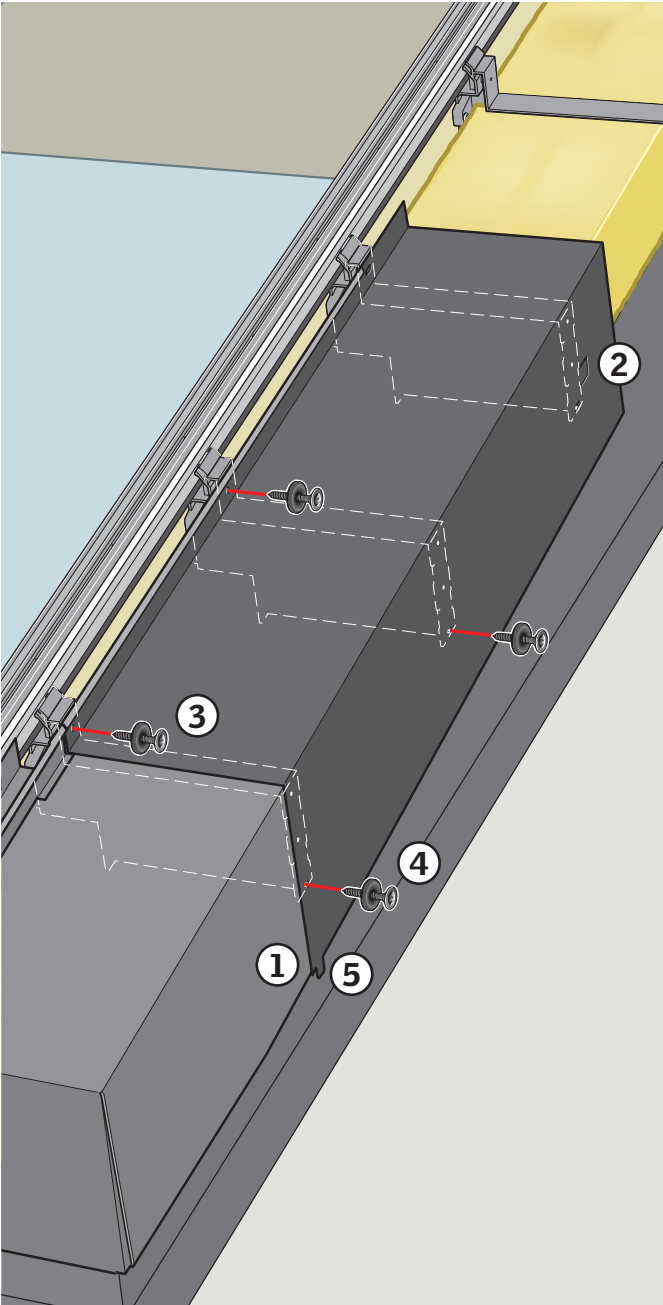
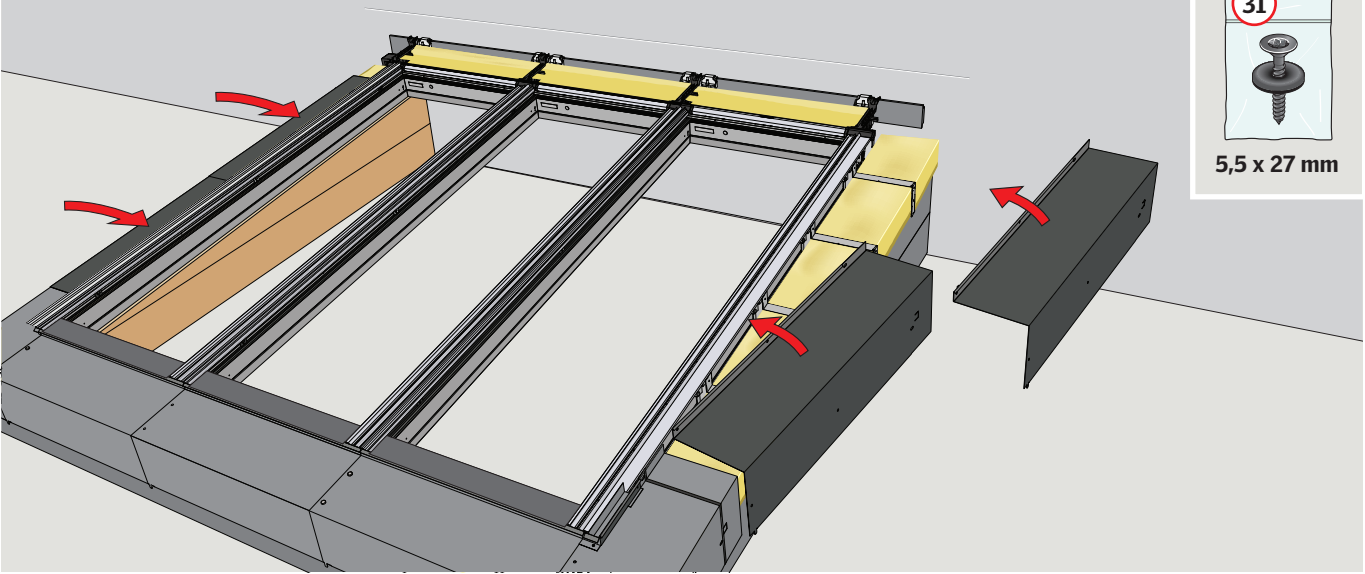
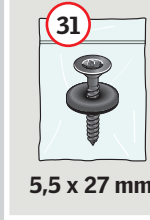
31



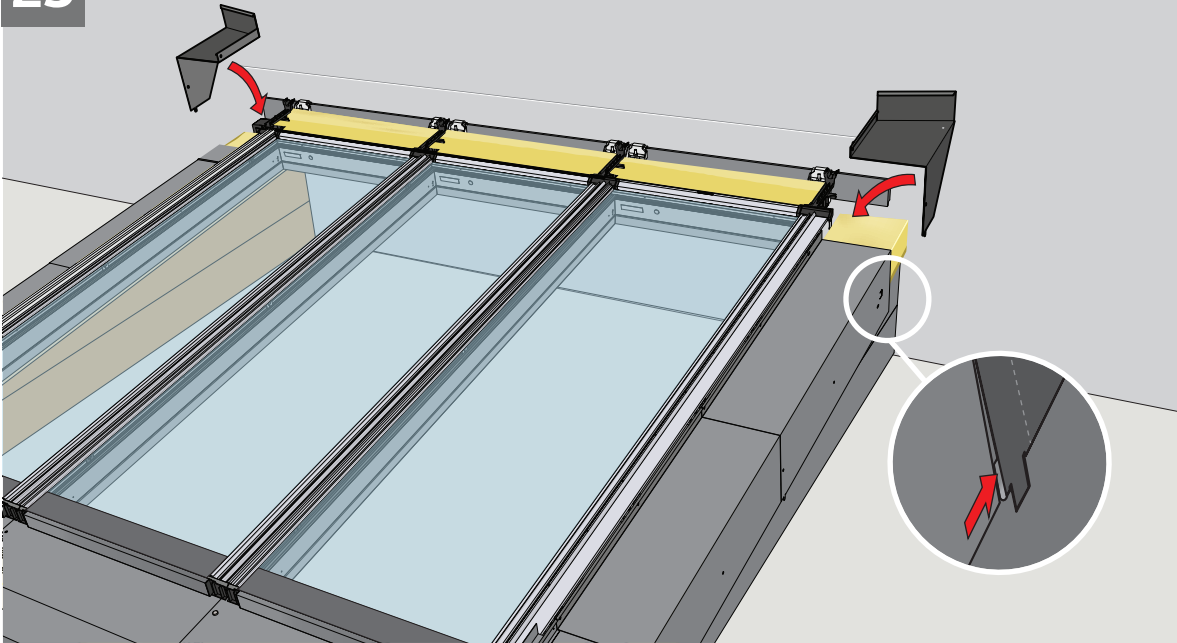
5,5 x 27 mm







25

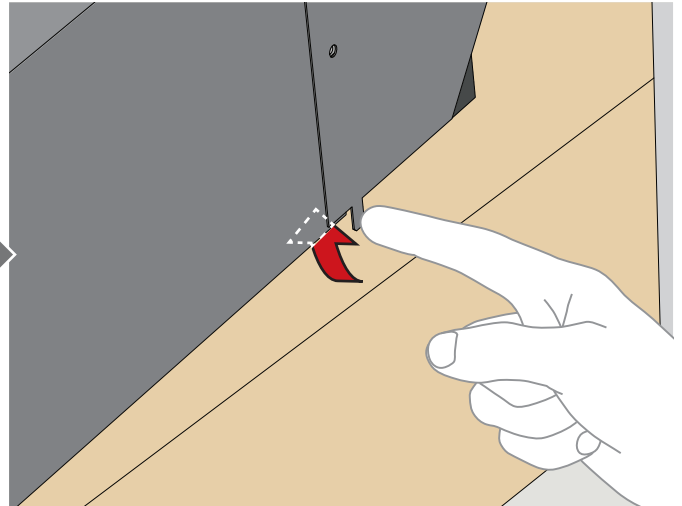
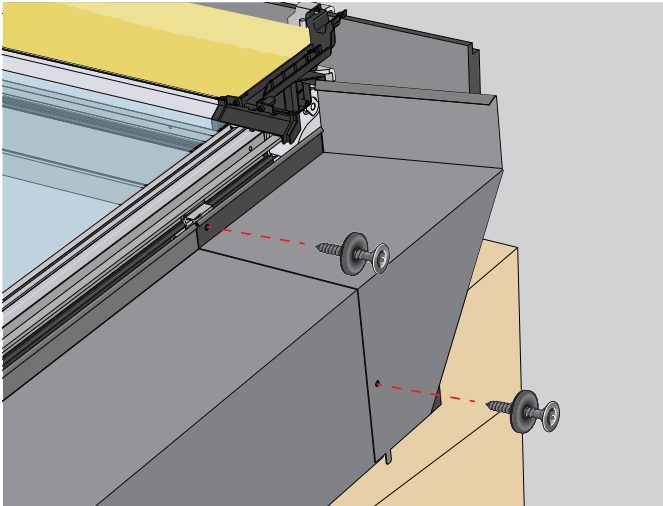
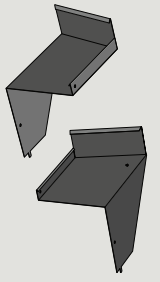


**B2-W**



5,5 x 27 mm

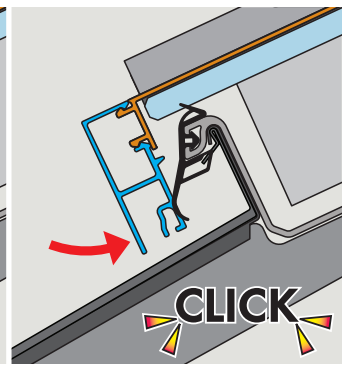
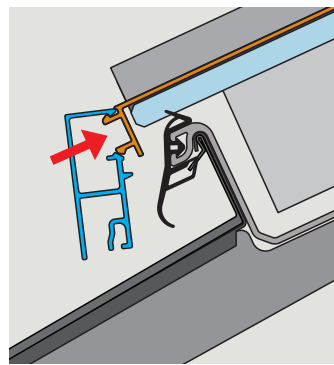
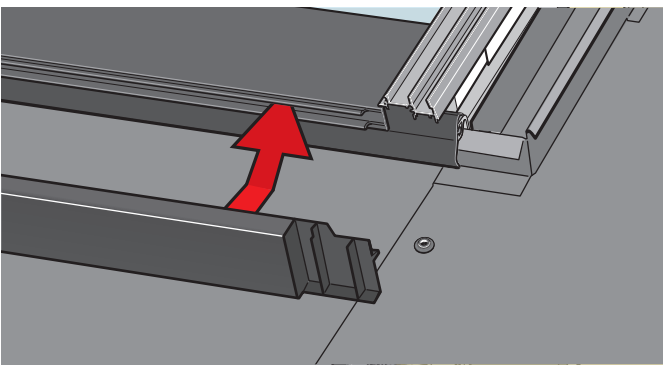
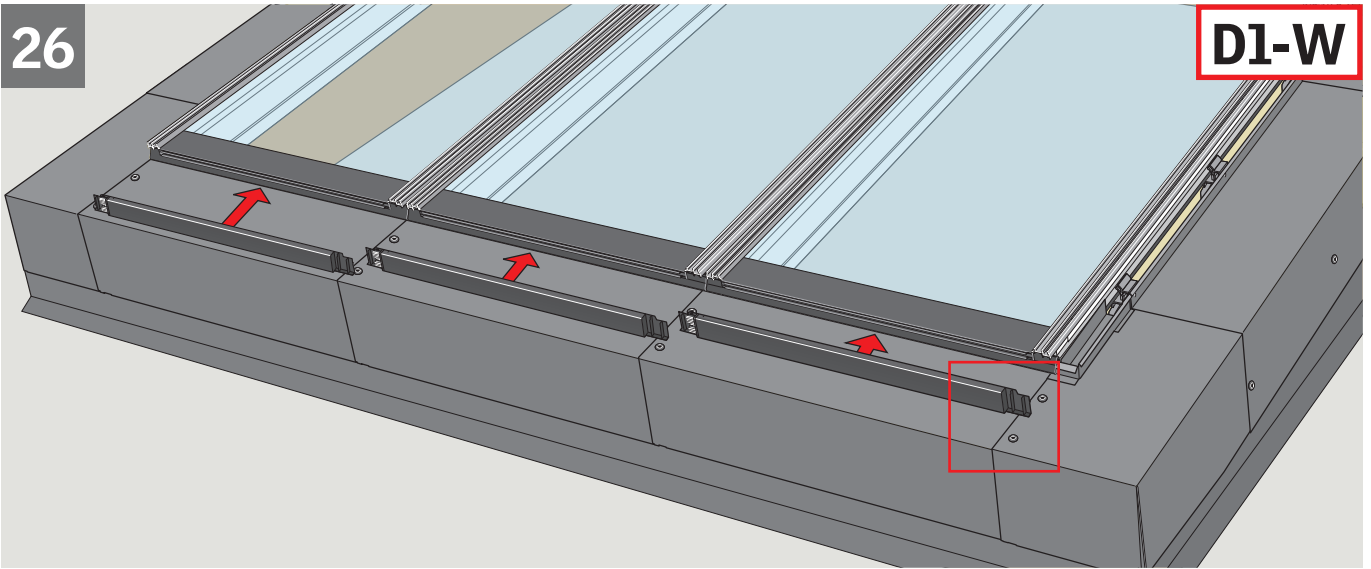
**C3-W**





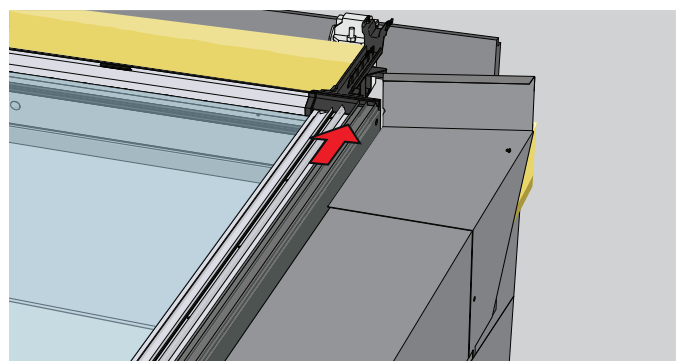
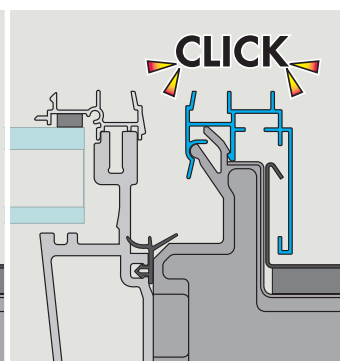
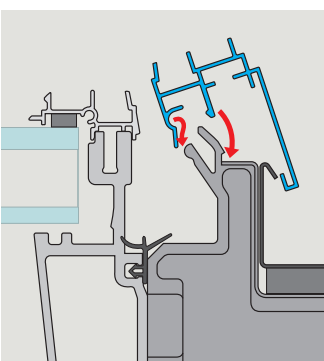
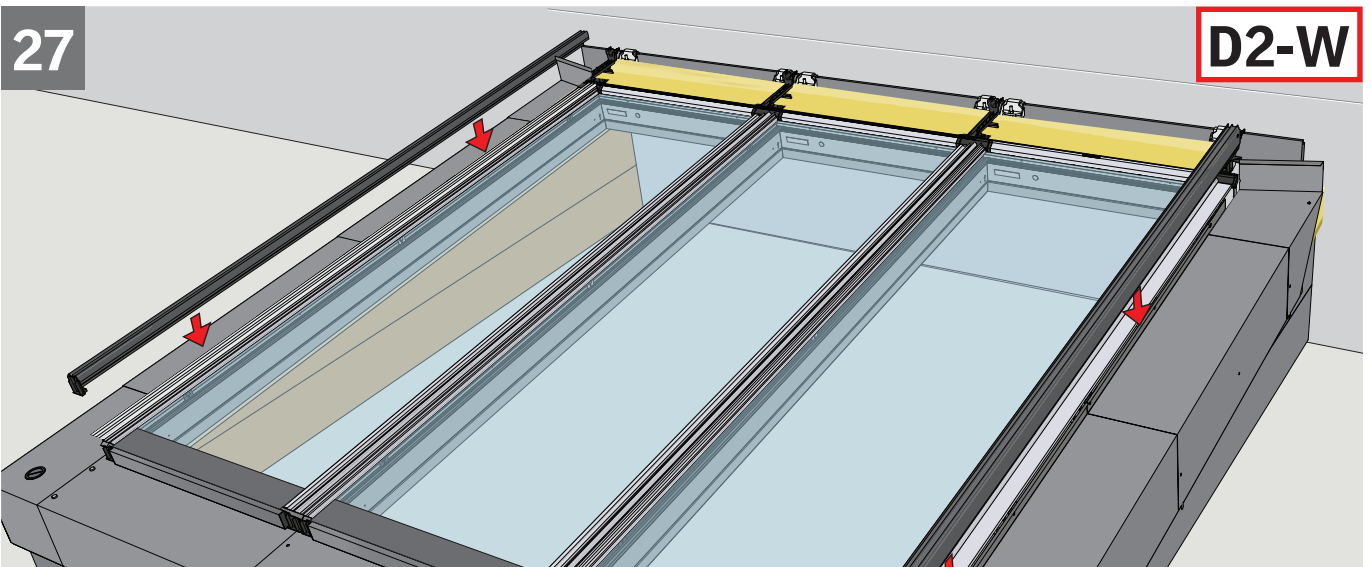
26

D1-W



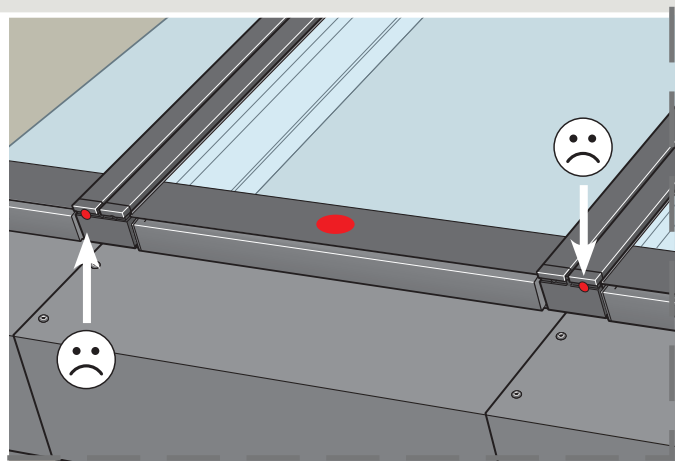
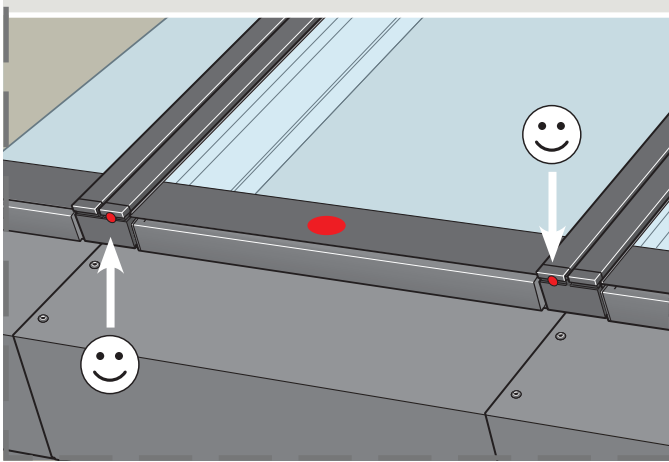
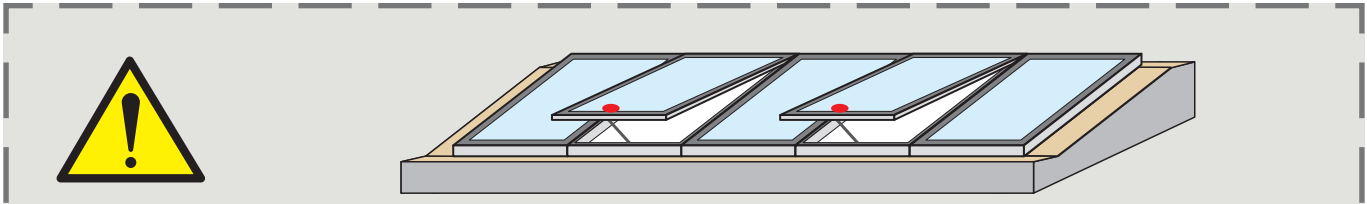
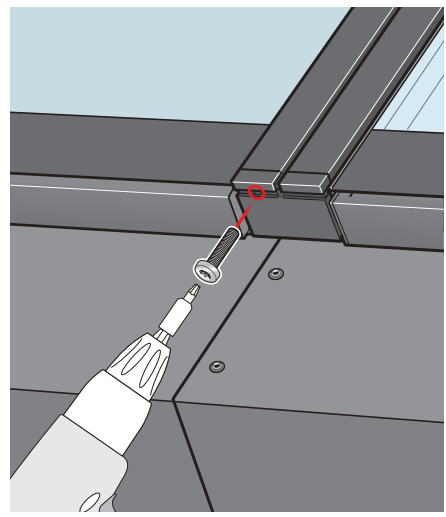
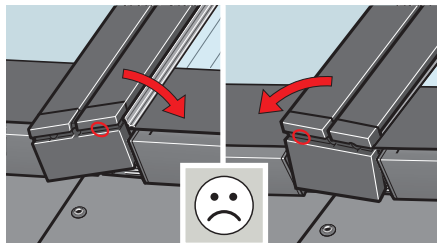
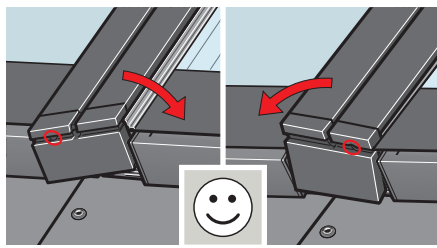
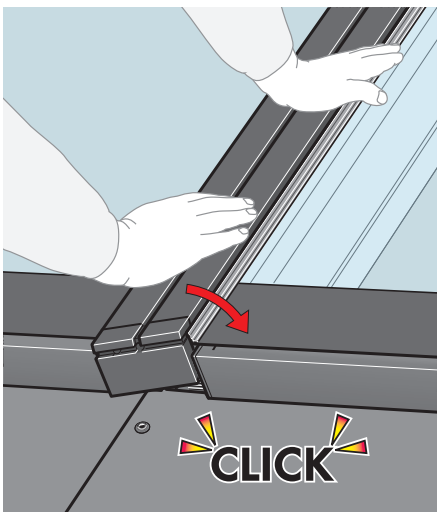
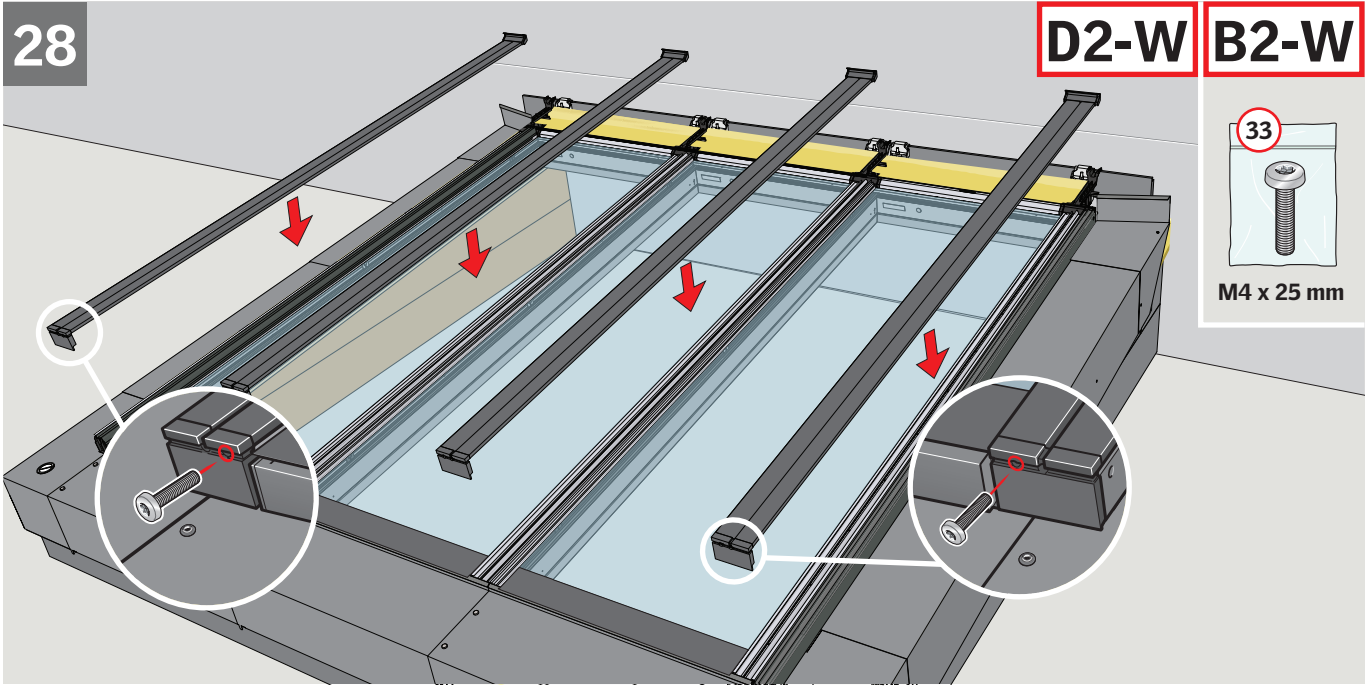
27

D2-W



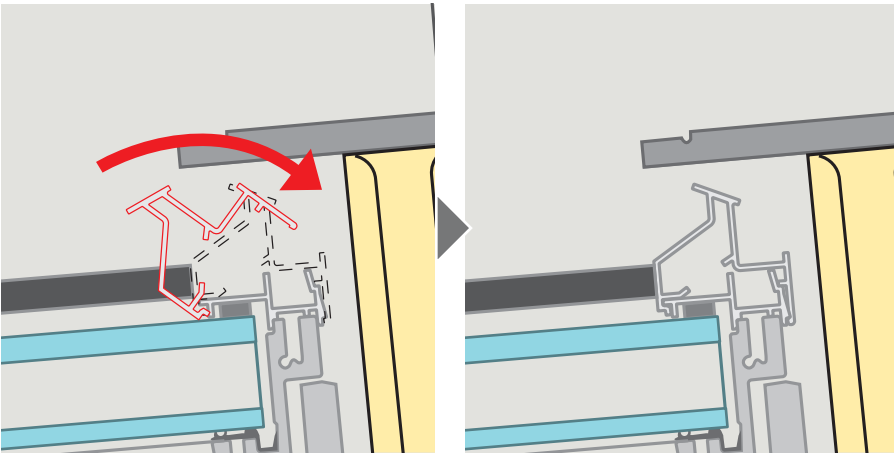
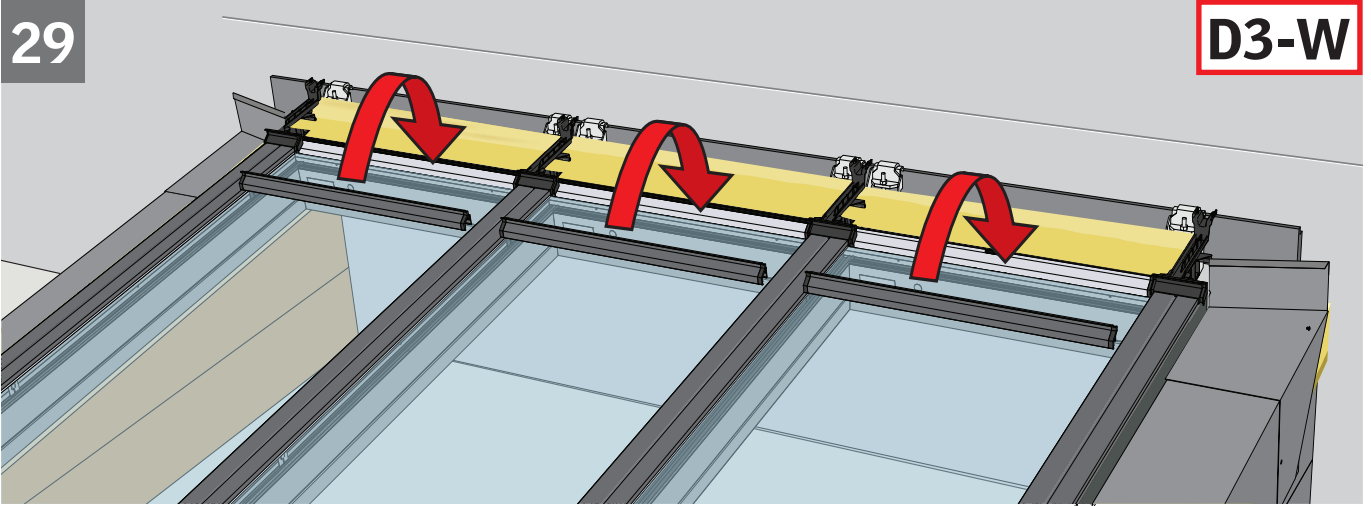
28

**D2-W** **B2-W**



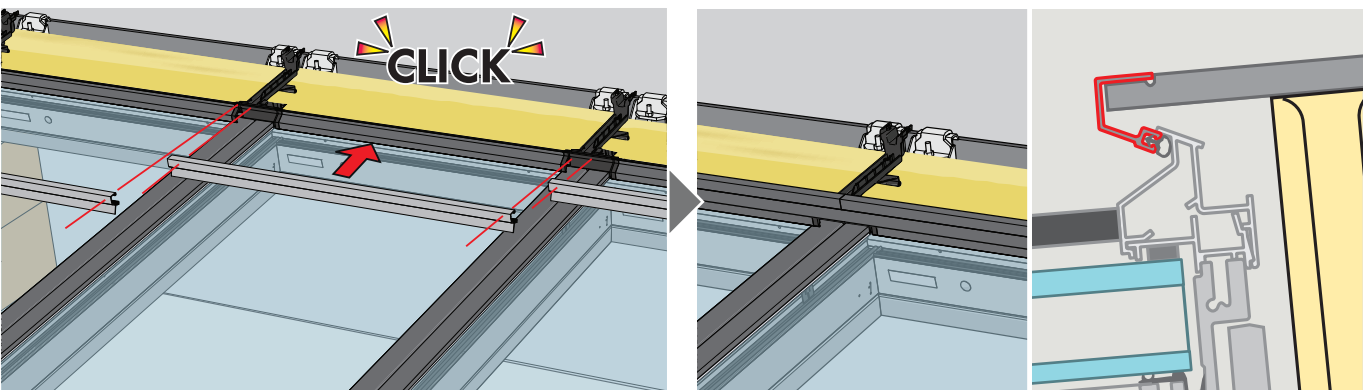
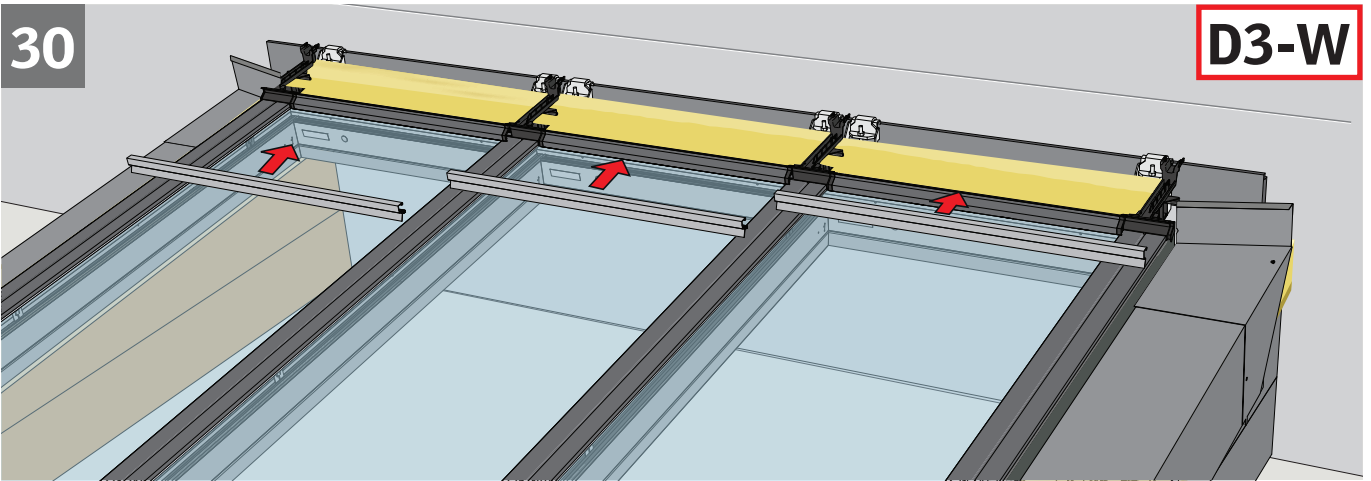
29

D3-W



30

D3-W



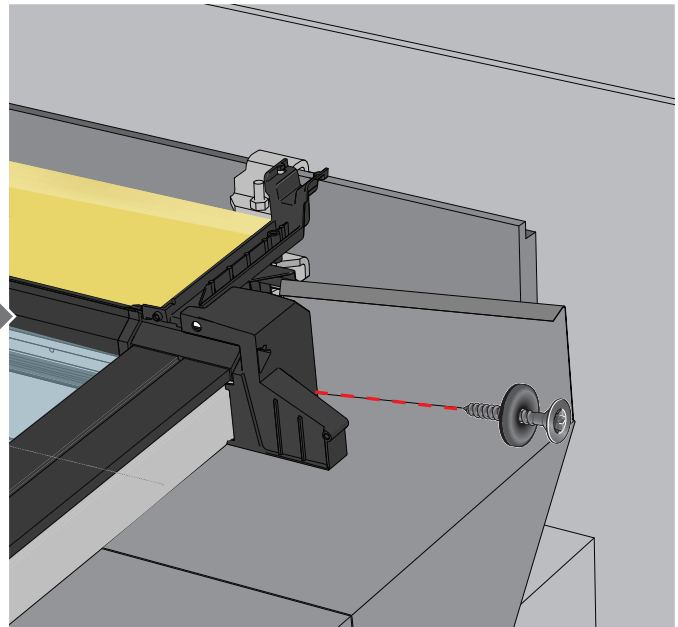
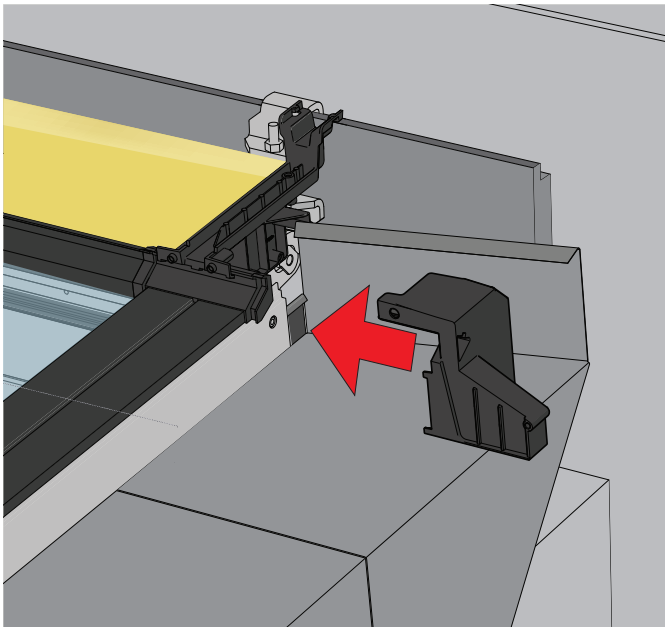
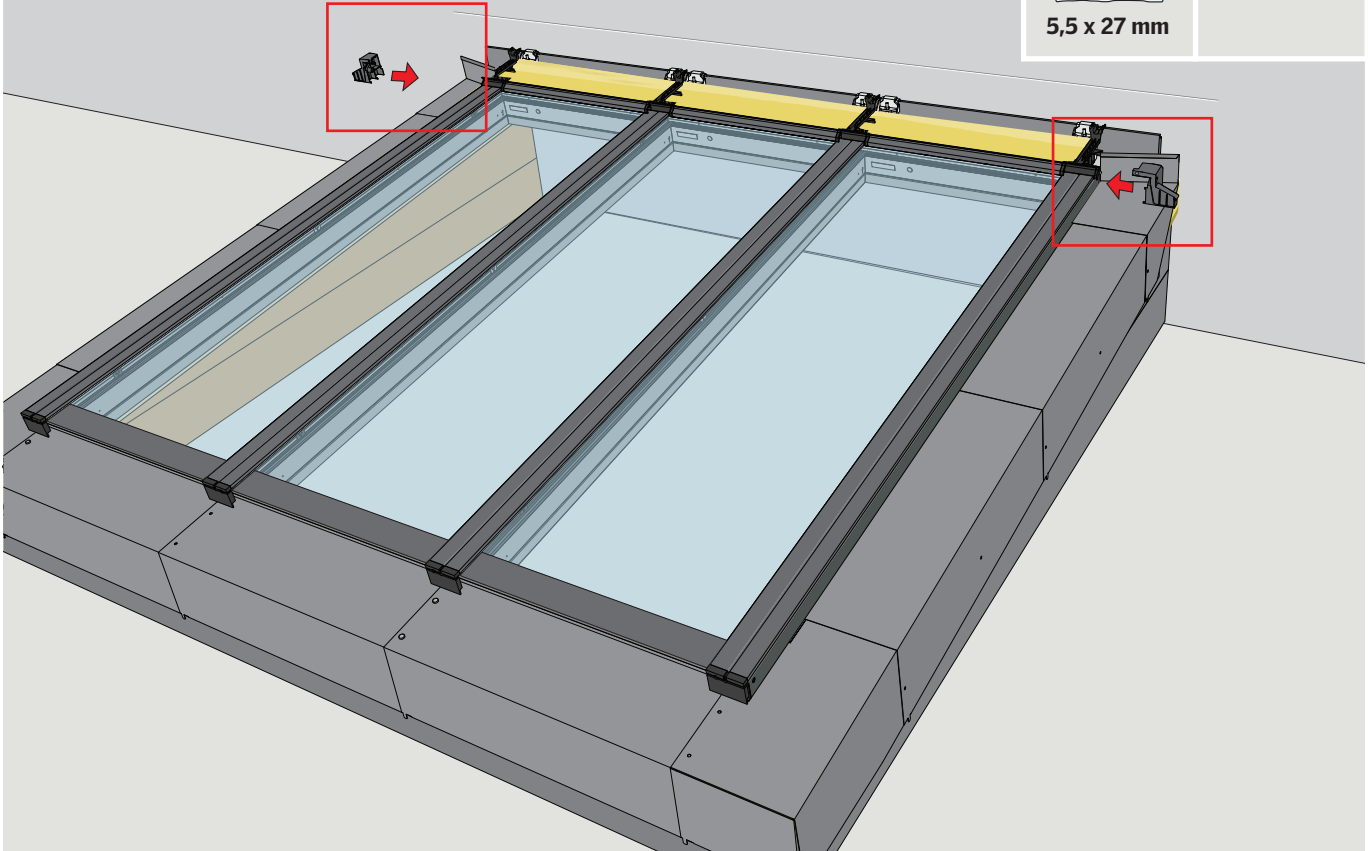
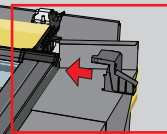
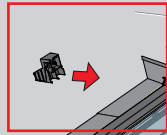
31

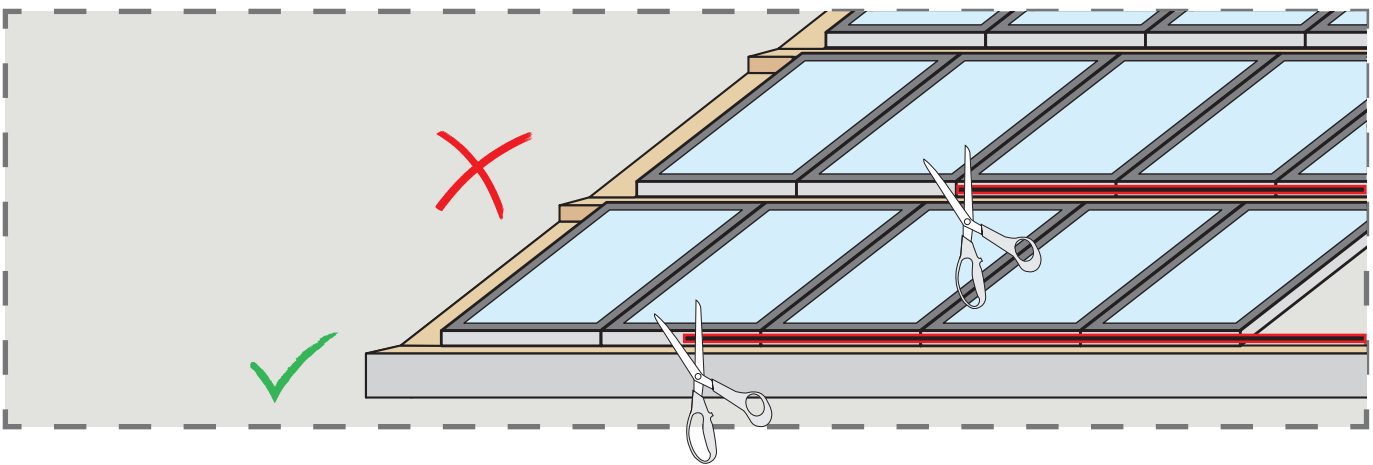
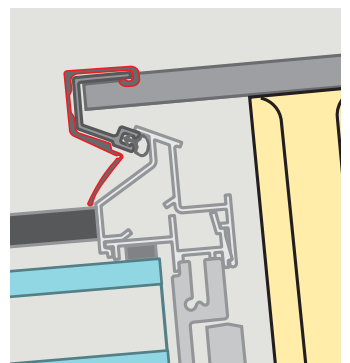
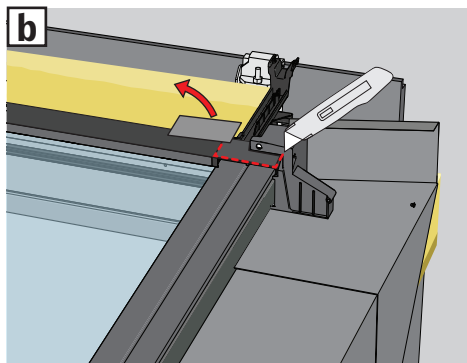
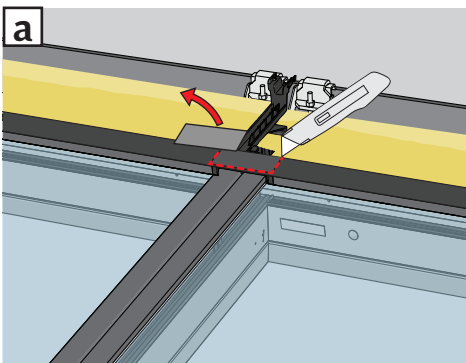
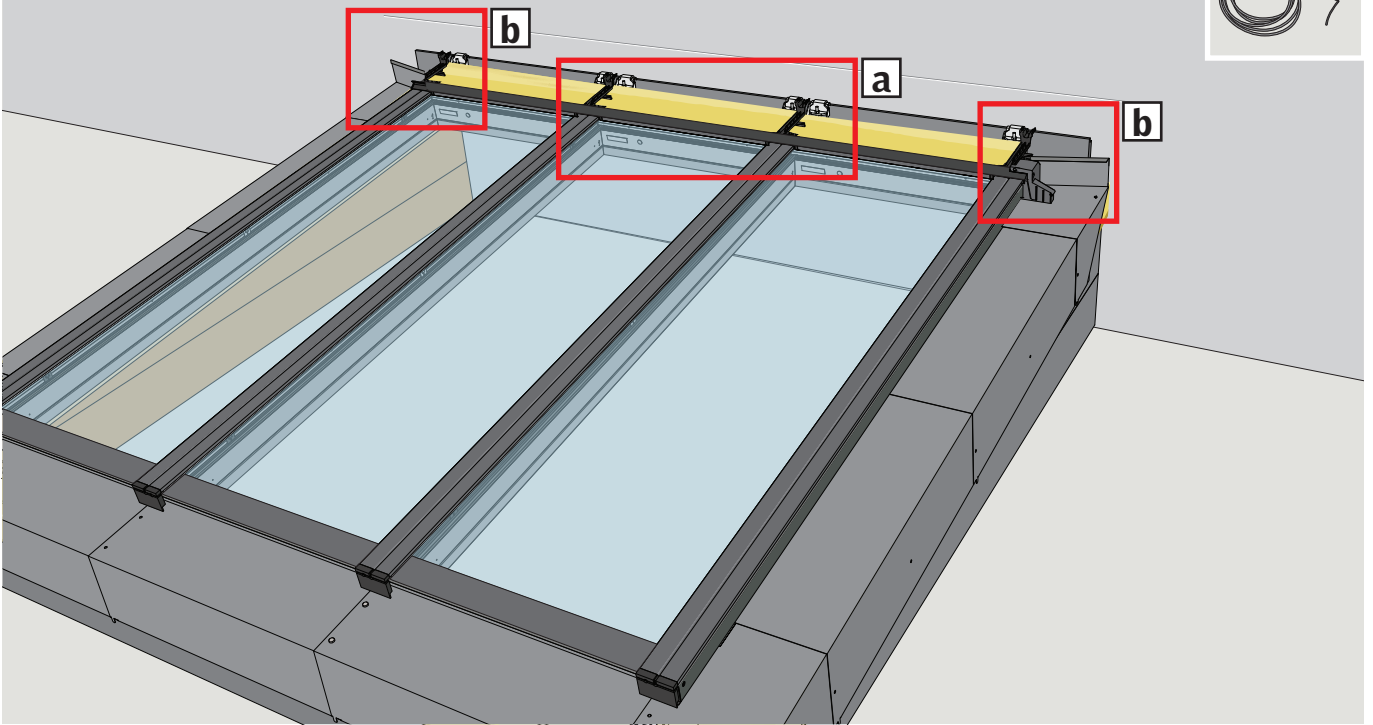
B1-W

D4-W

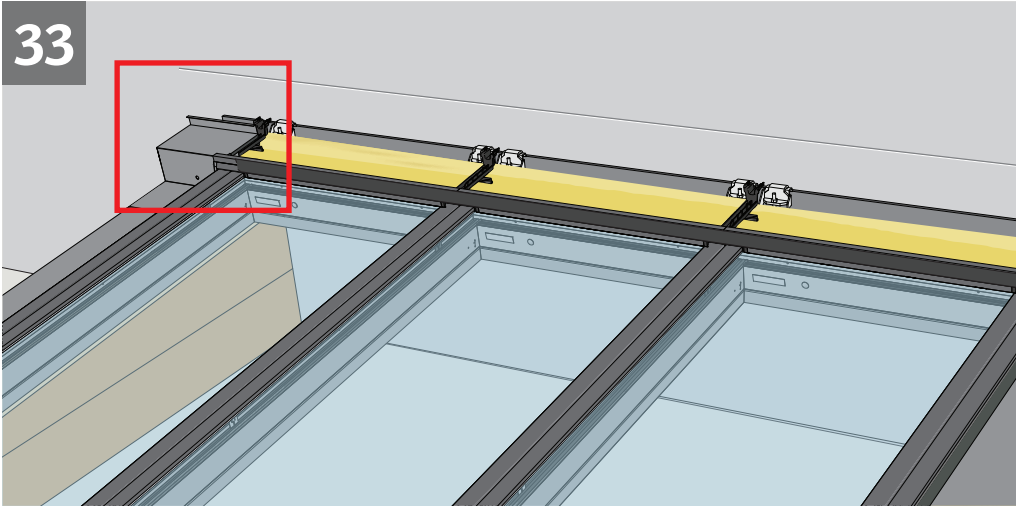


5,5 x 27 mm



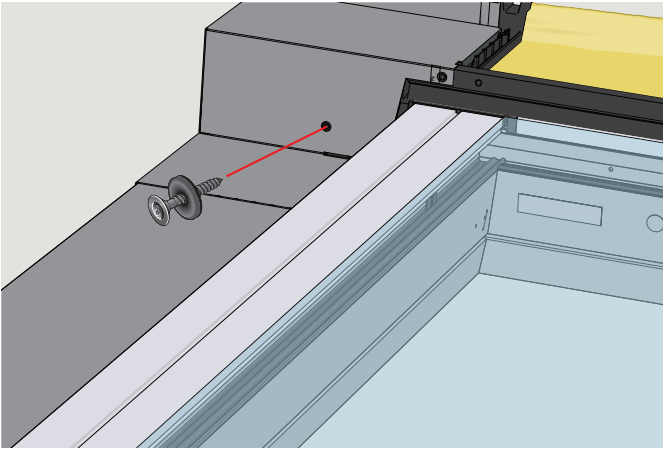
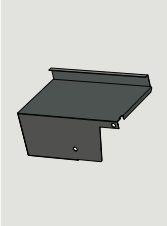


33

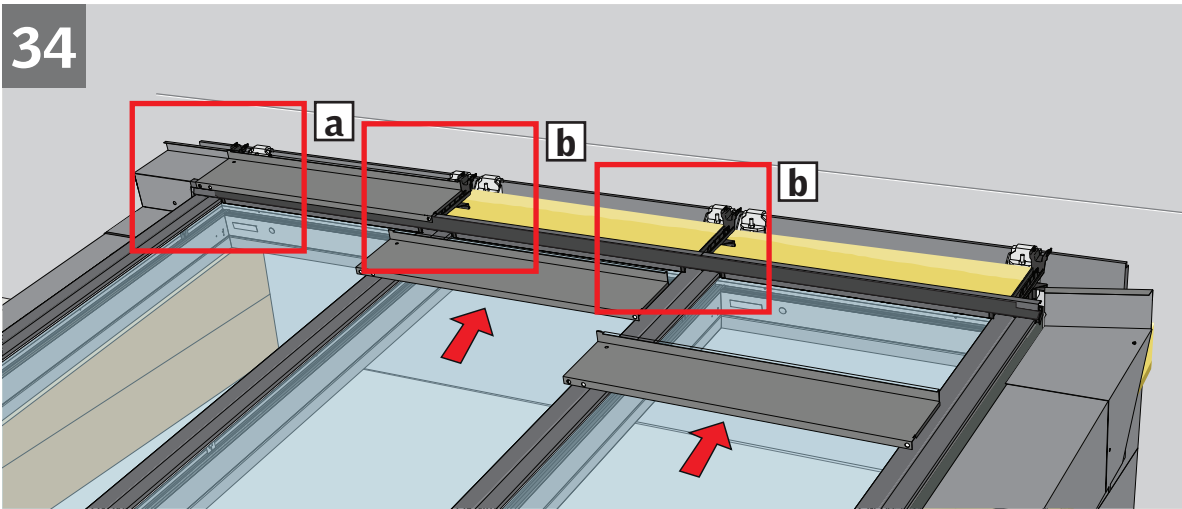


C3-W

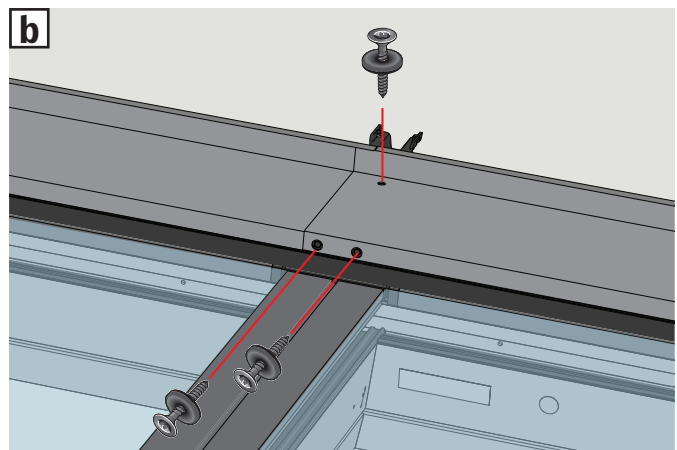
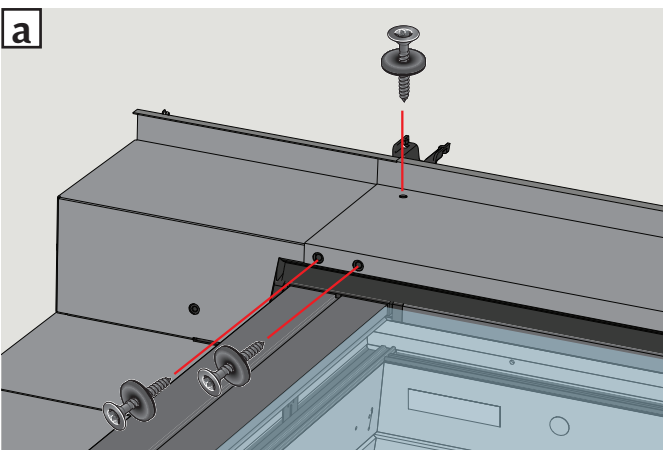
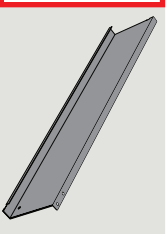
B1-W



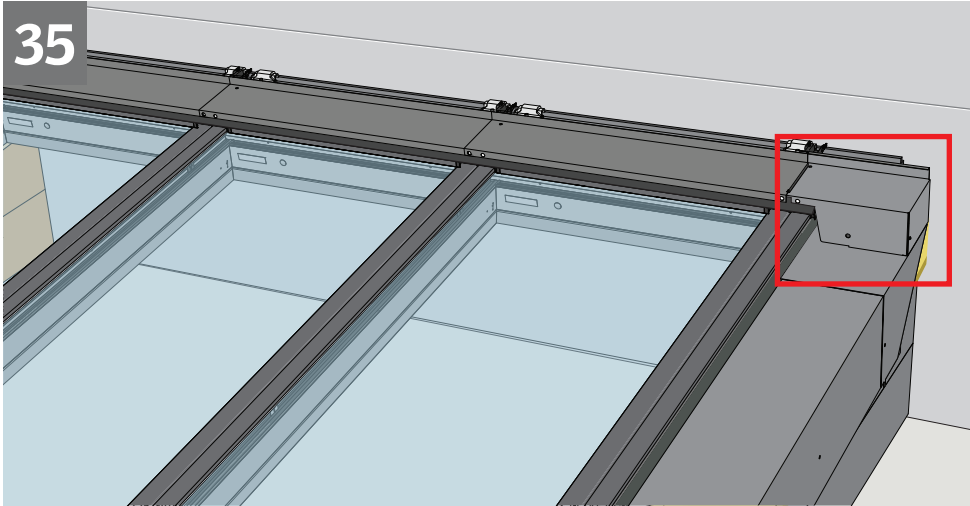
34



C2-W

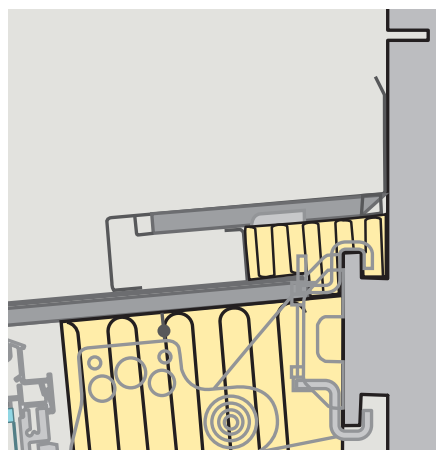
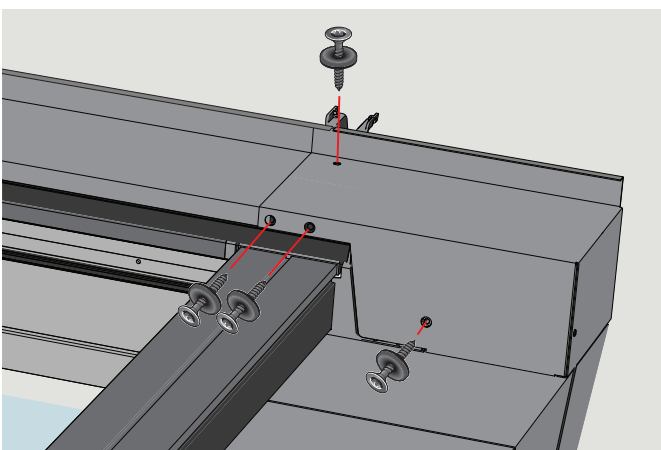
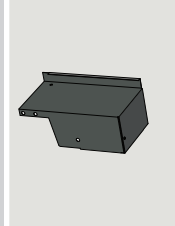


35

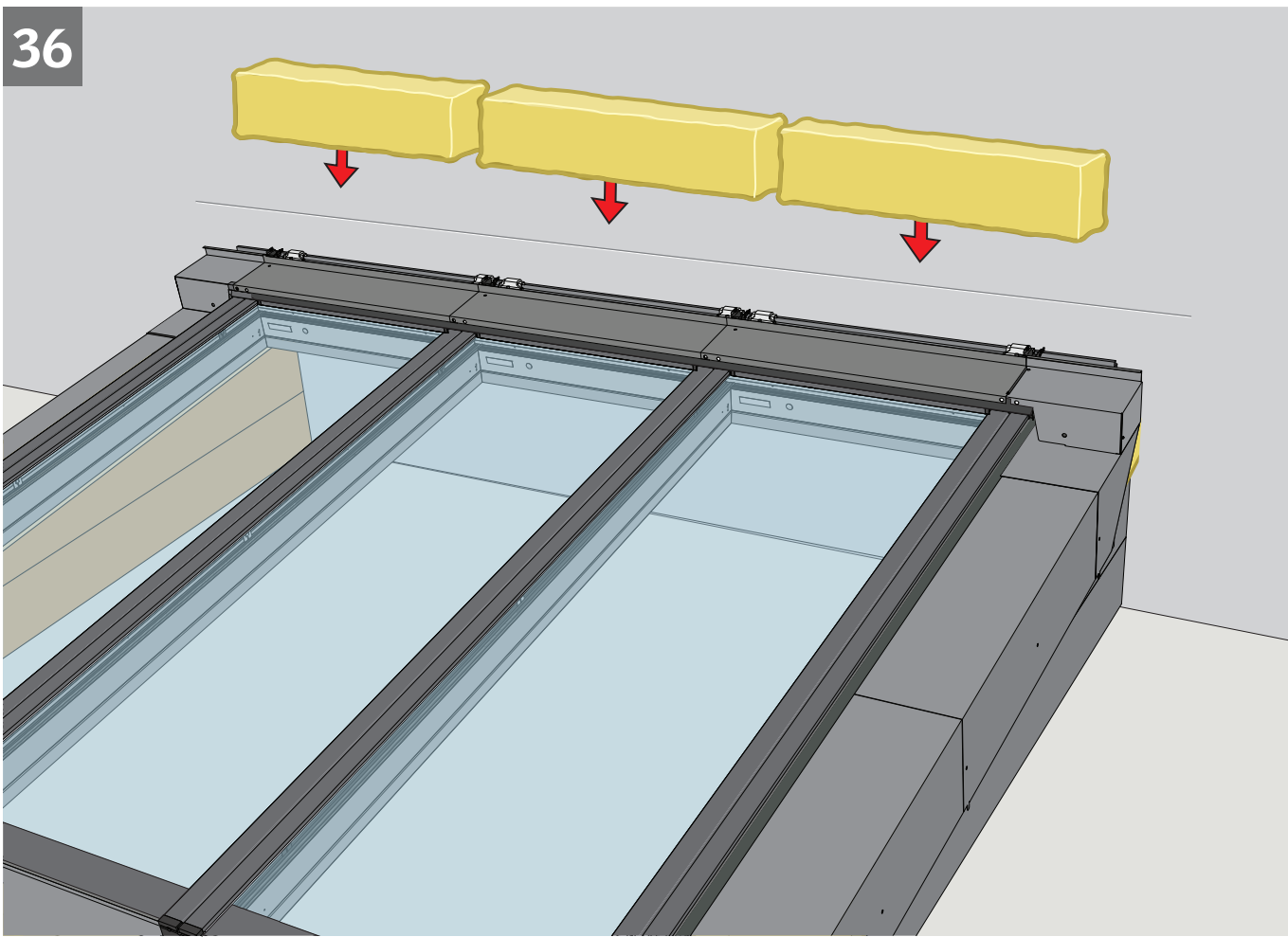


**C3-W**

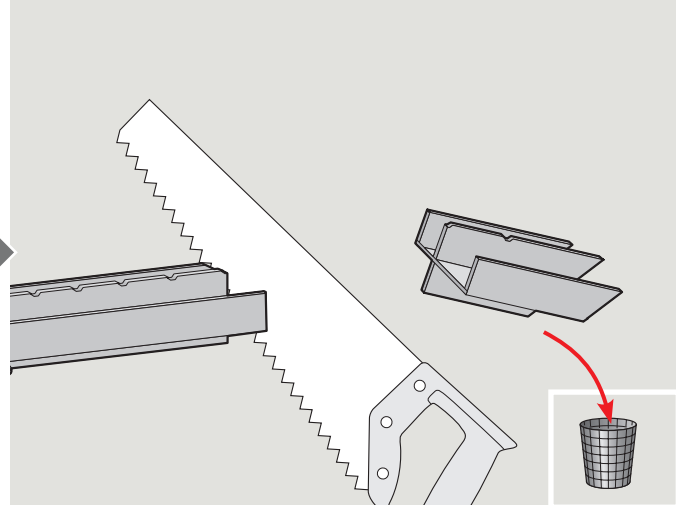
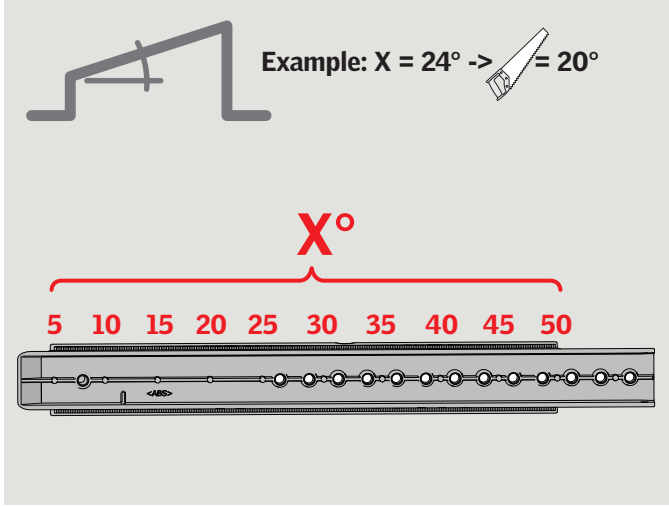
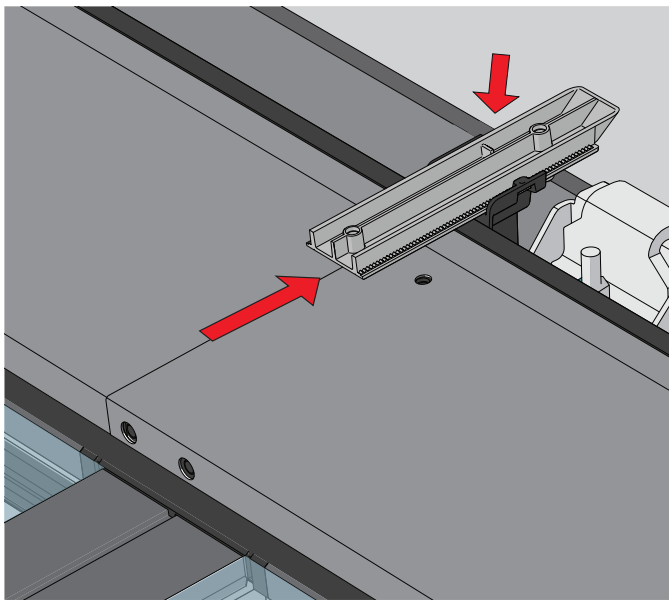
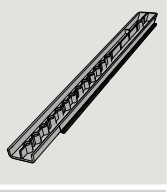
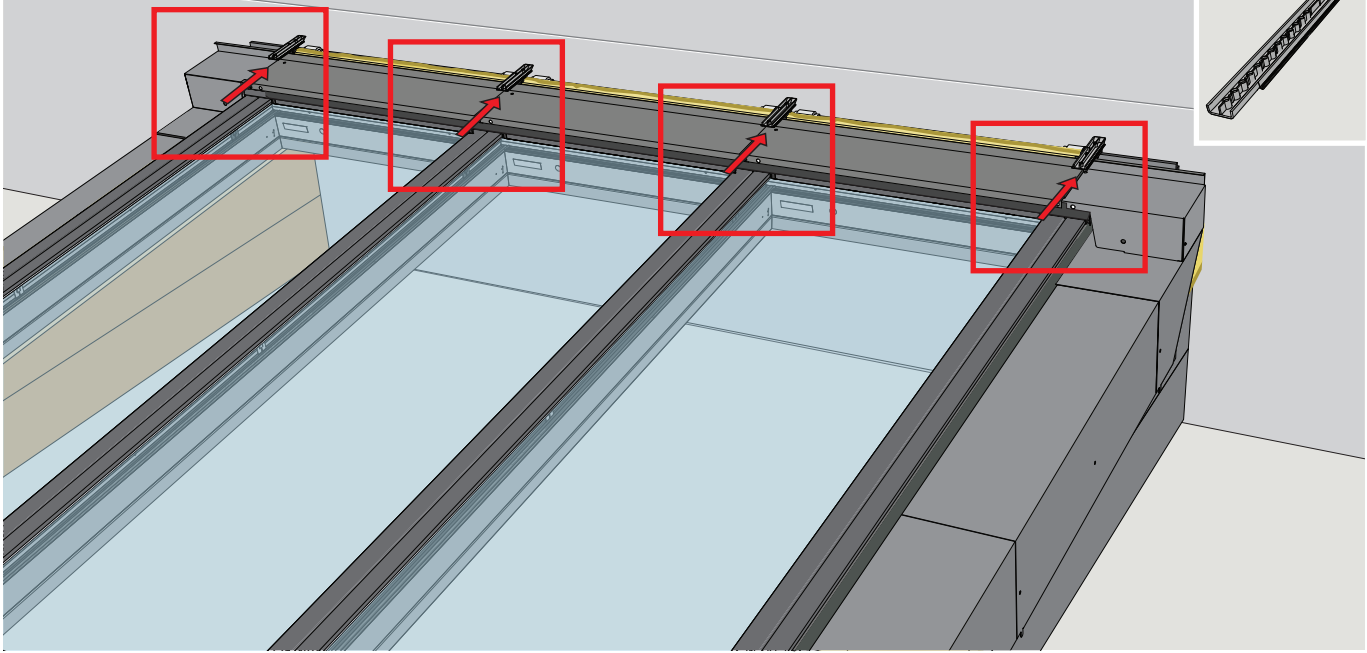
**B1-W**



36



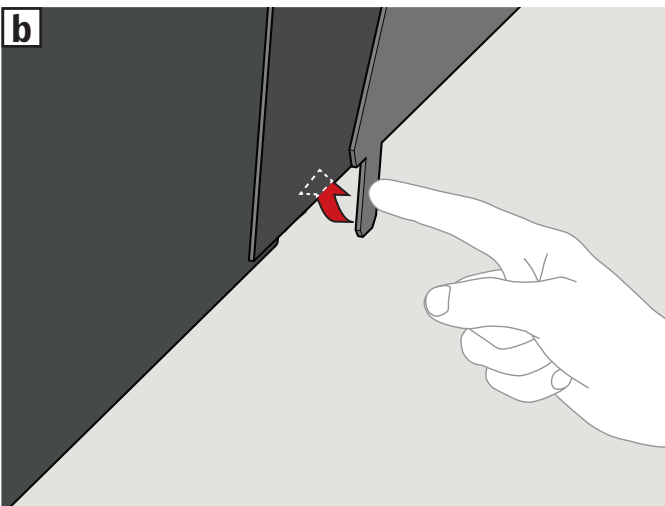
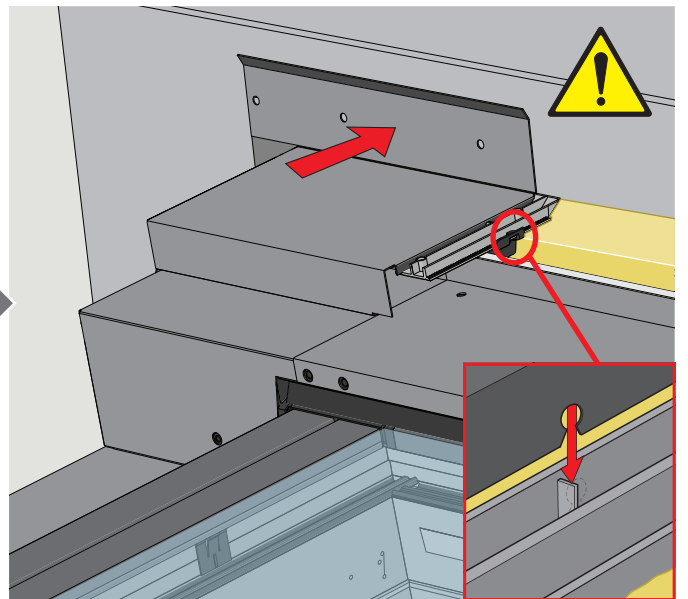
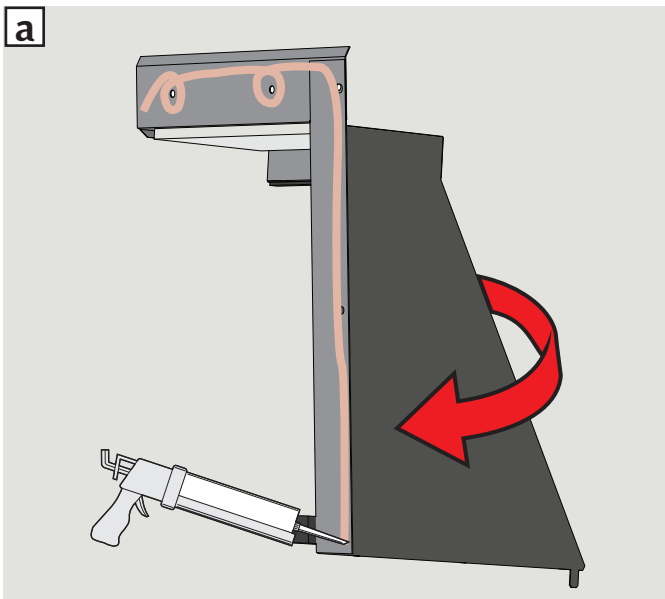
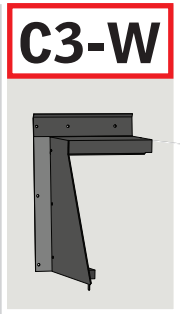
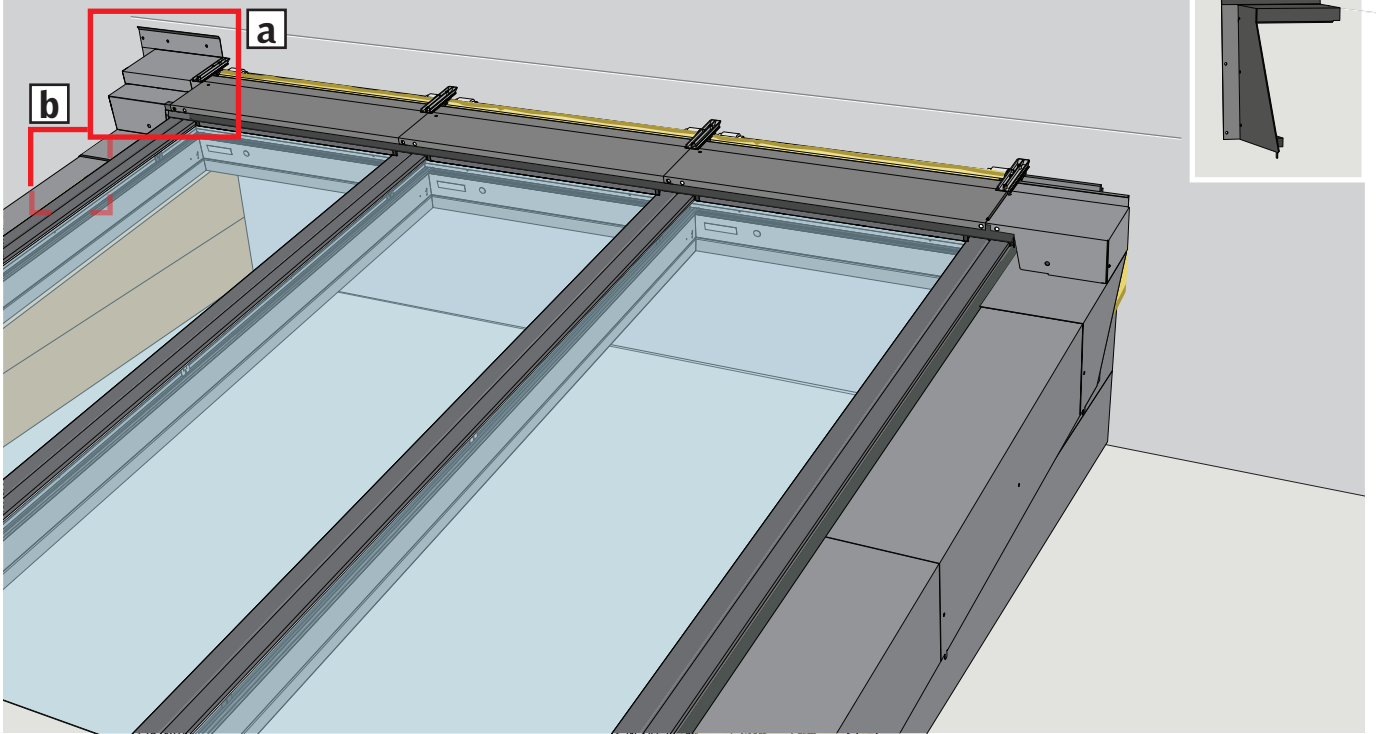
**B1-W**  
**B2-W**





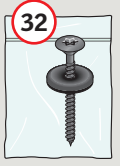
38

C3-W



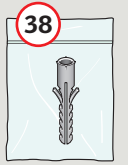
39

**B1-W**

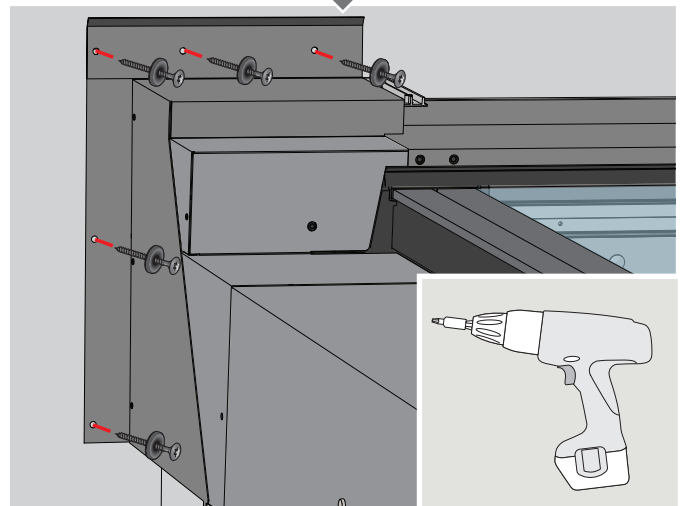
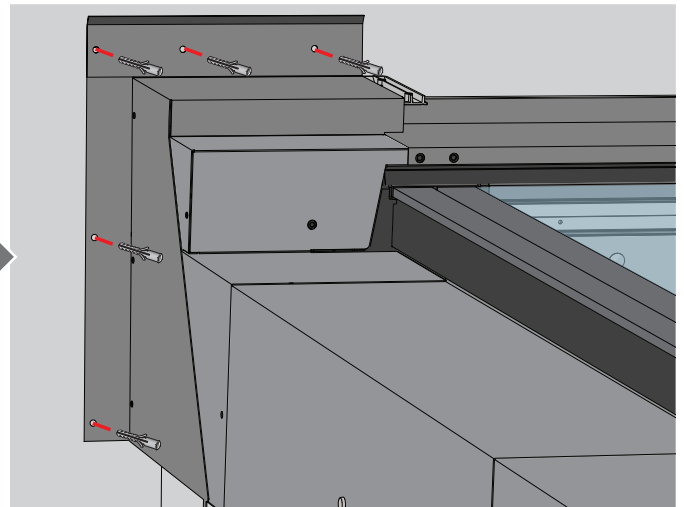
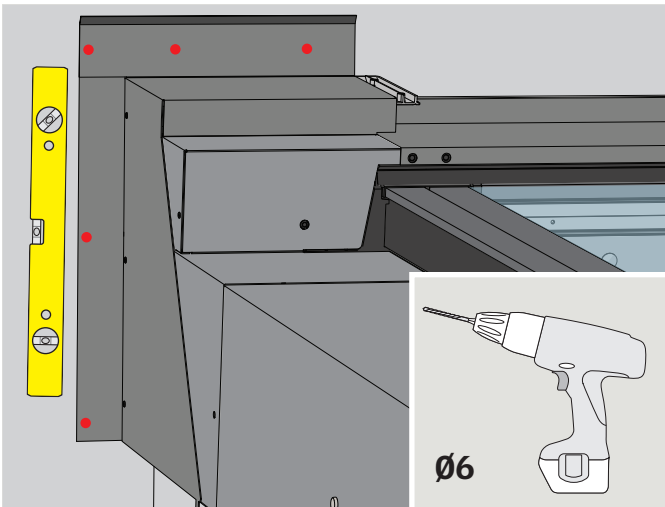
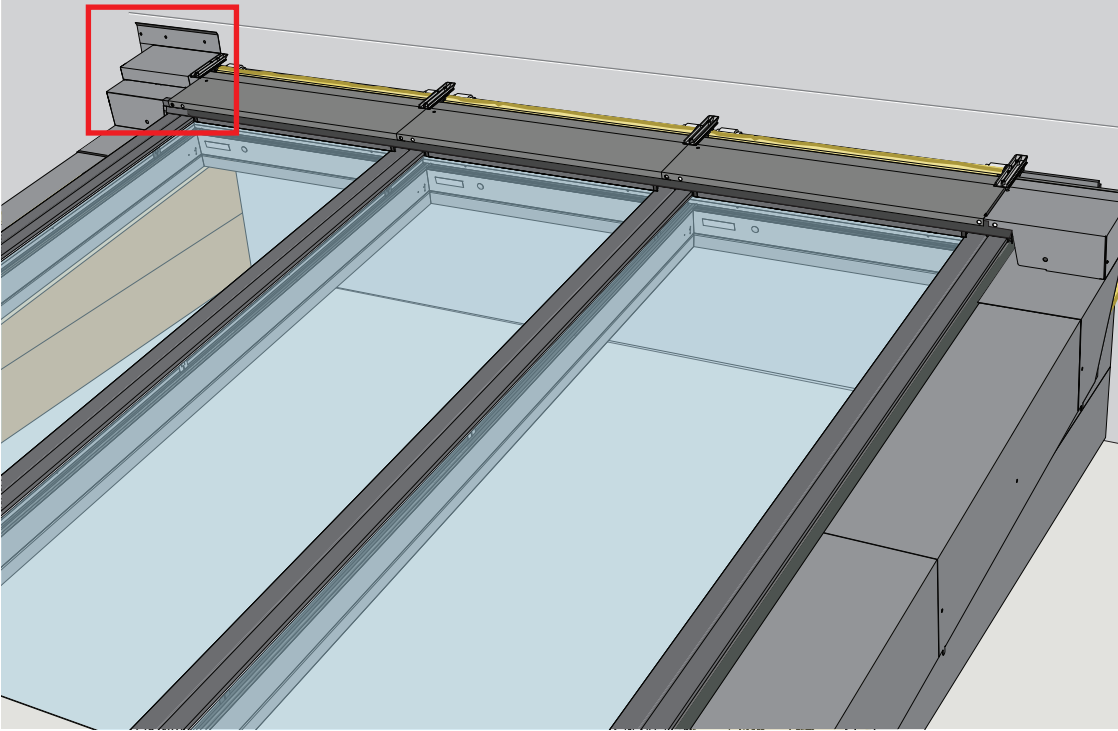


4 x 45 mm

**B2-W**

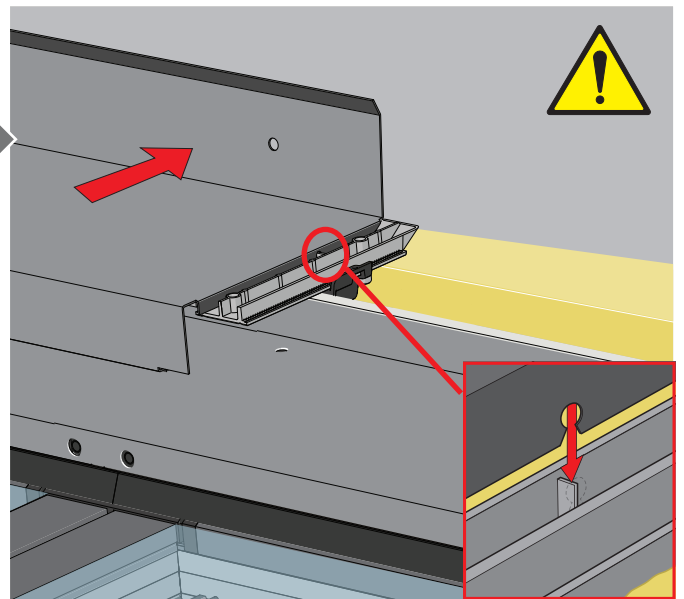
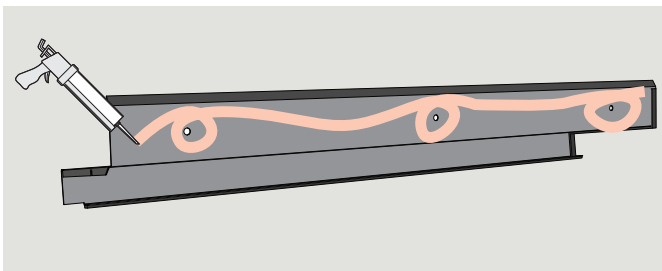
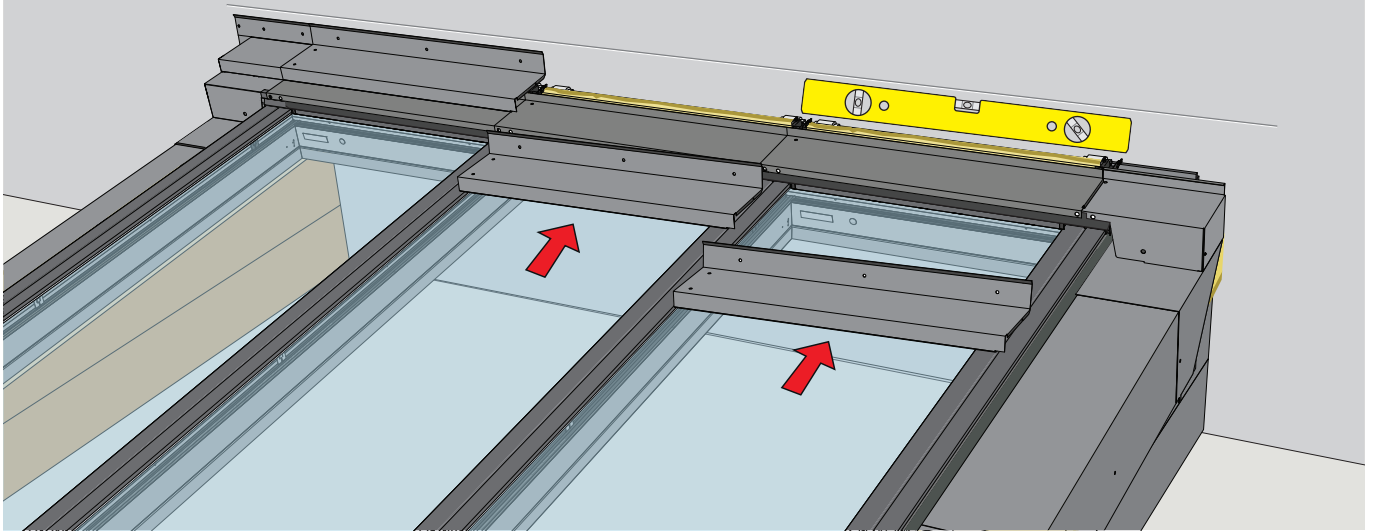
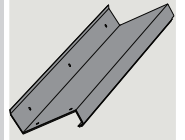


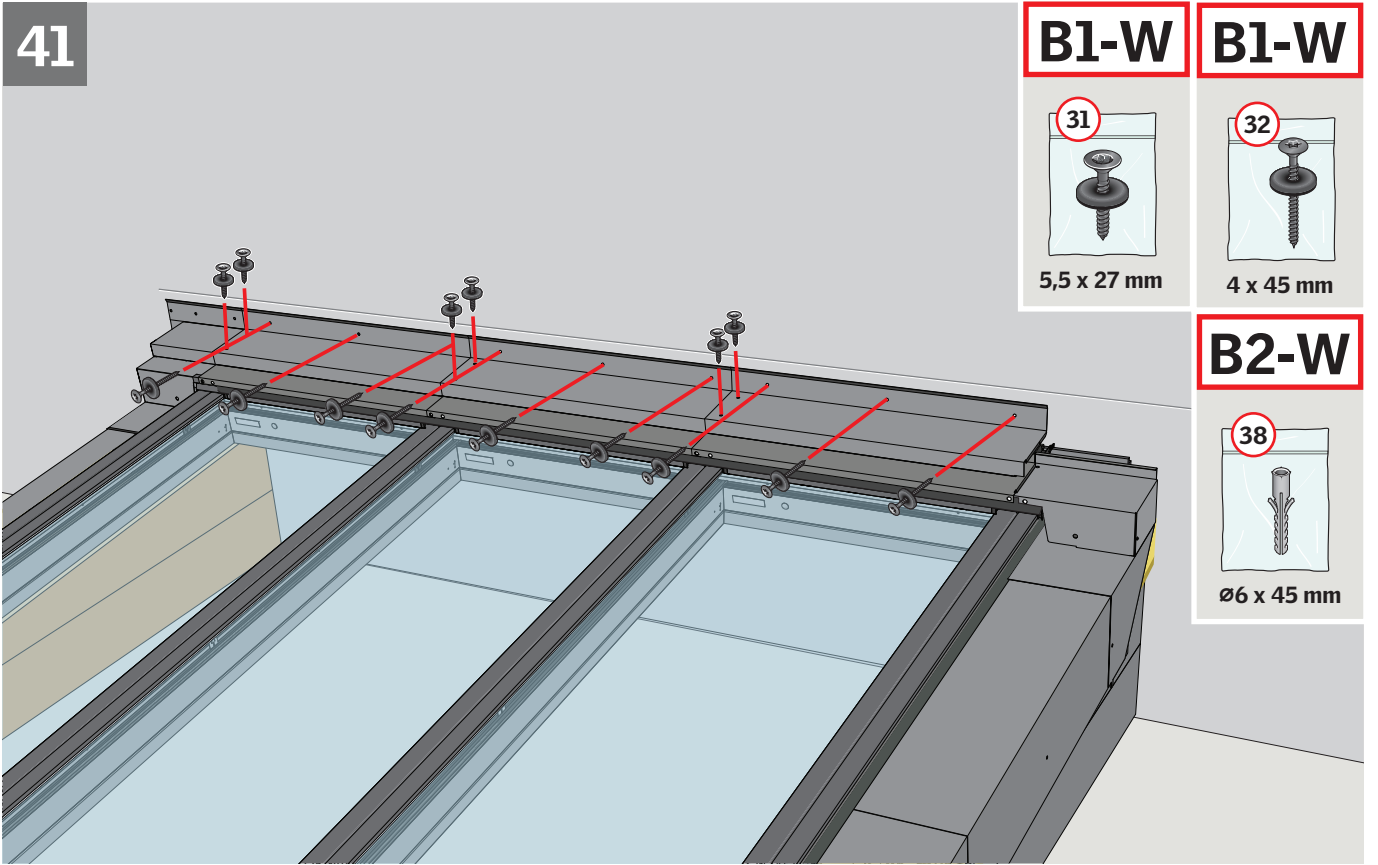
Ø6 x 45 mm



40

C2-W





**B1-W**

**B1-W**

31



5,5 x 27 mm

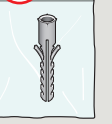
32



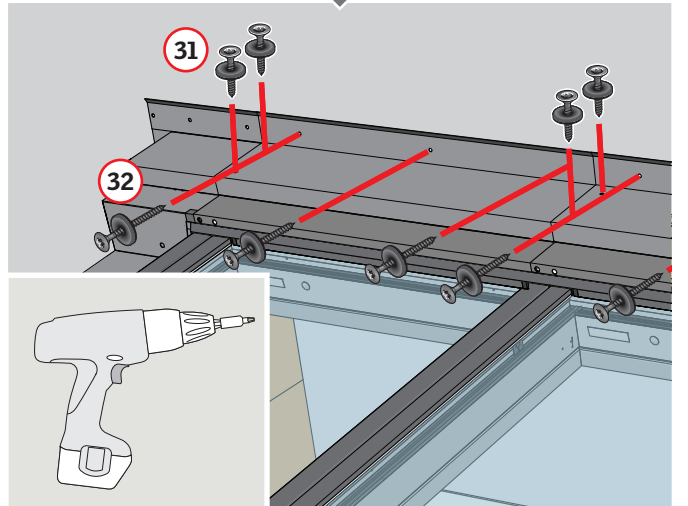
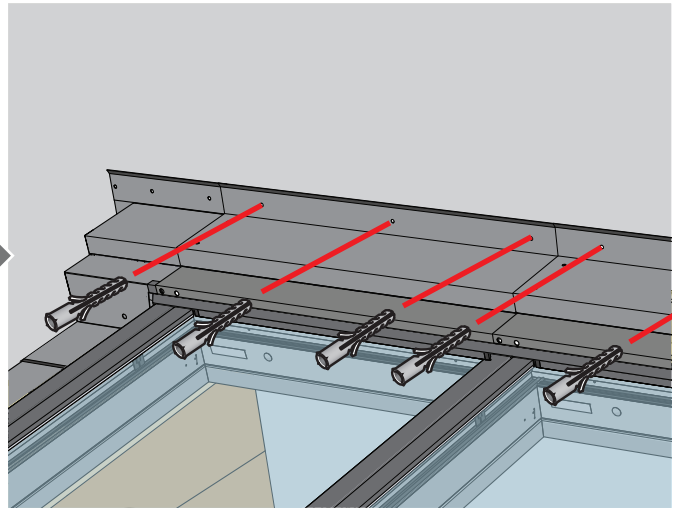
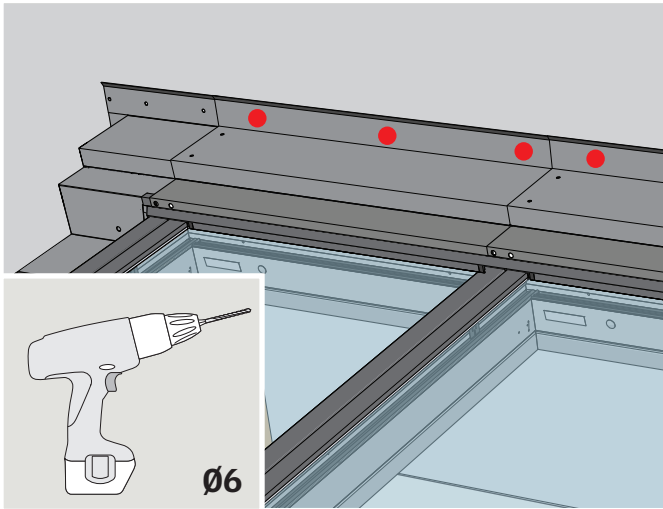
4 x 45 mm

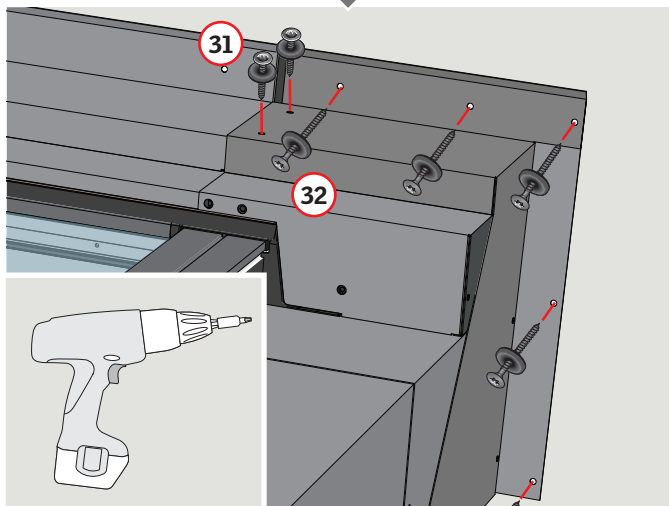
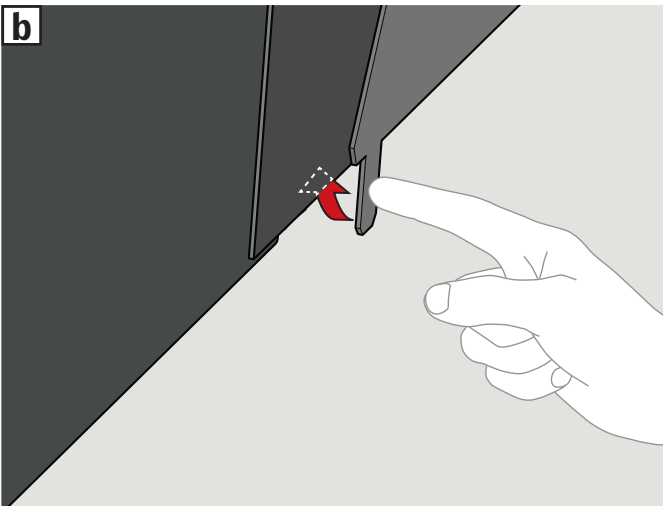
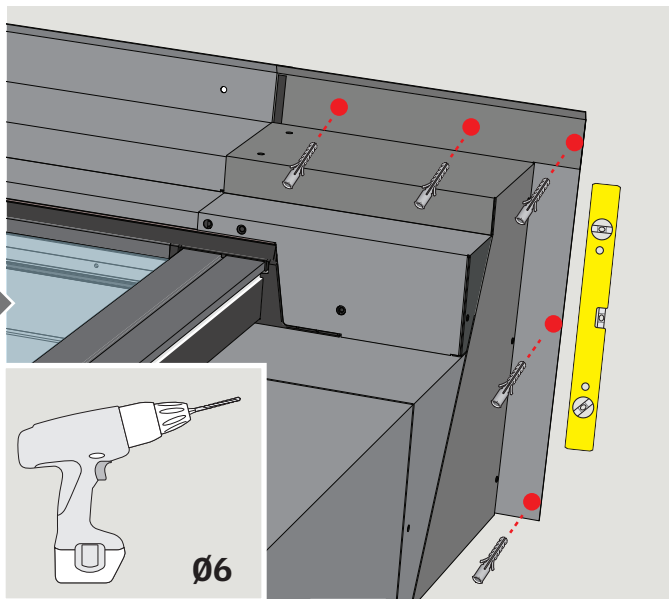
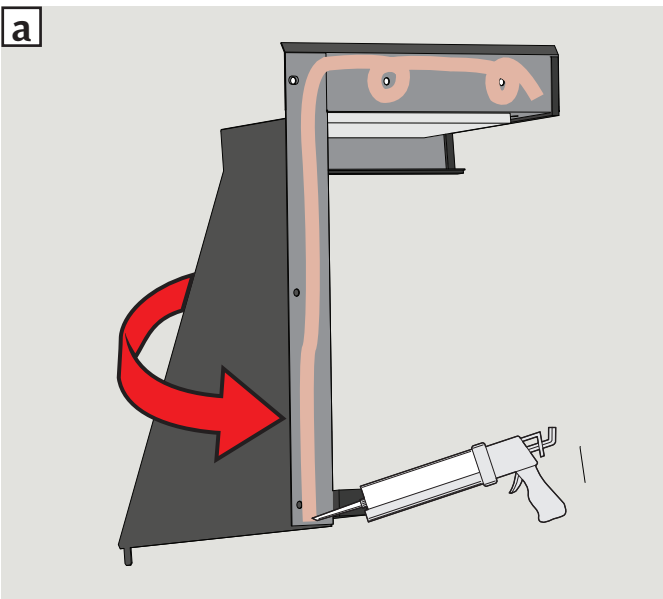
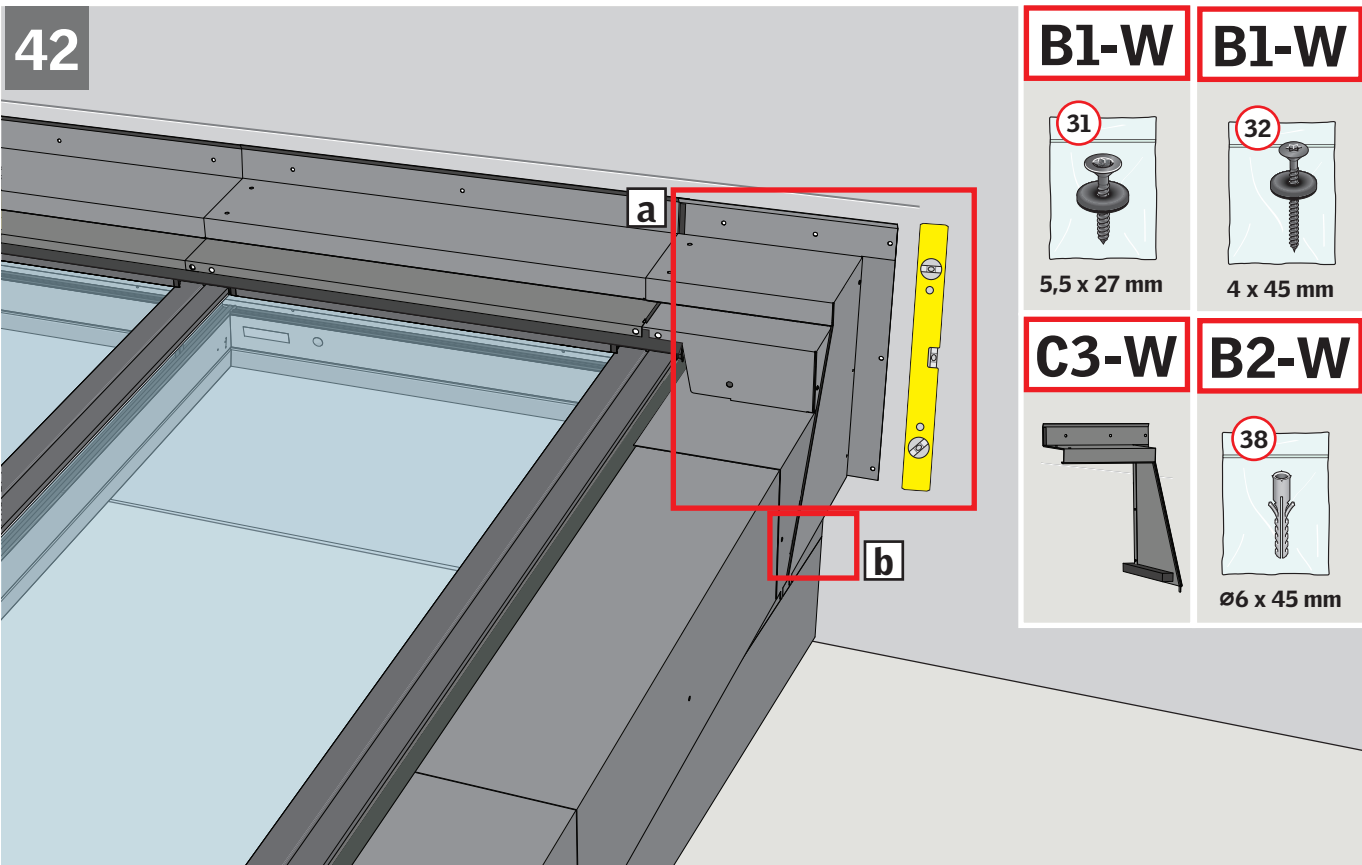
**B2-W**

38

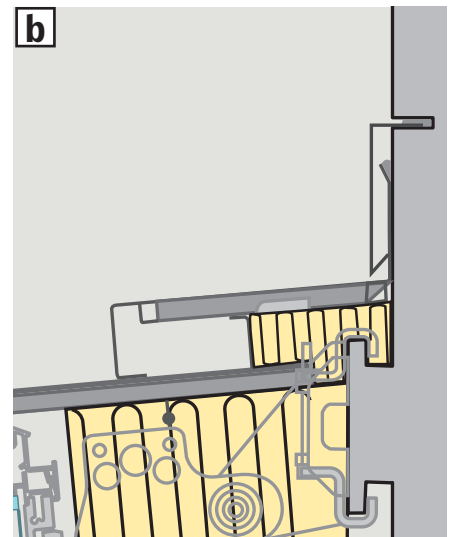
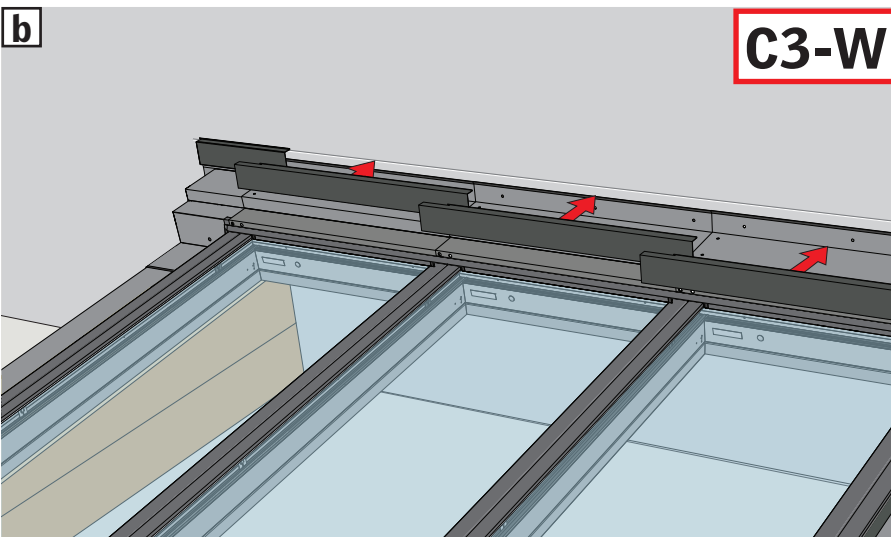
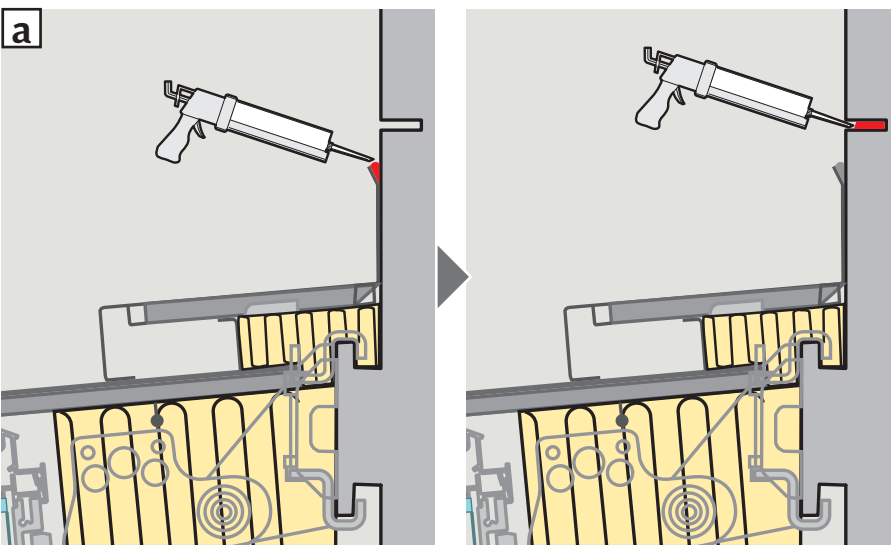
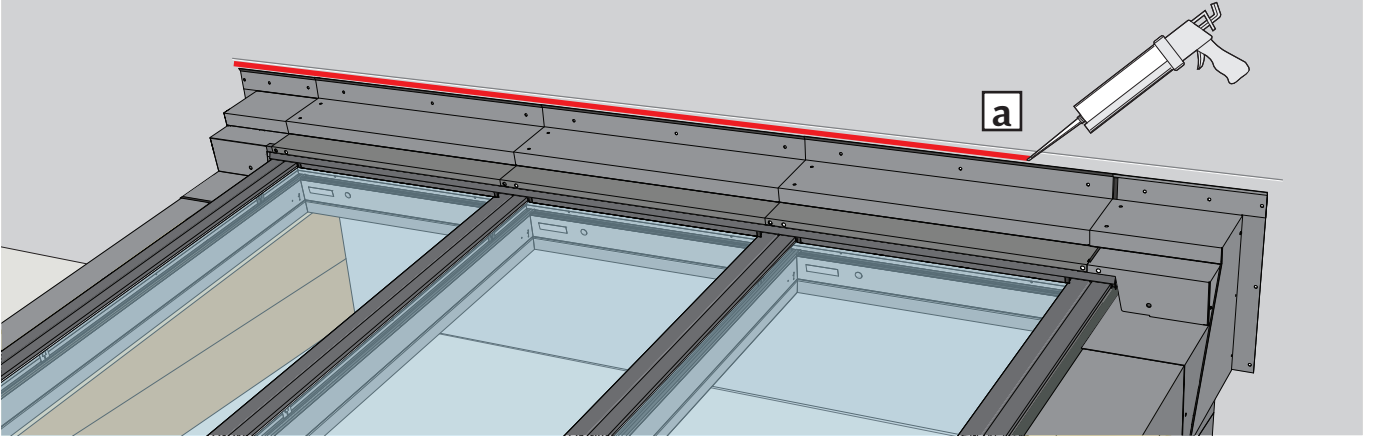


ø6 x 45 mm

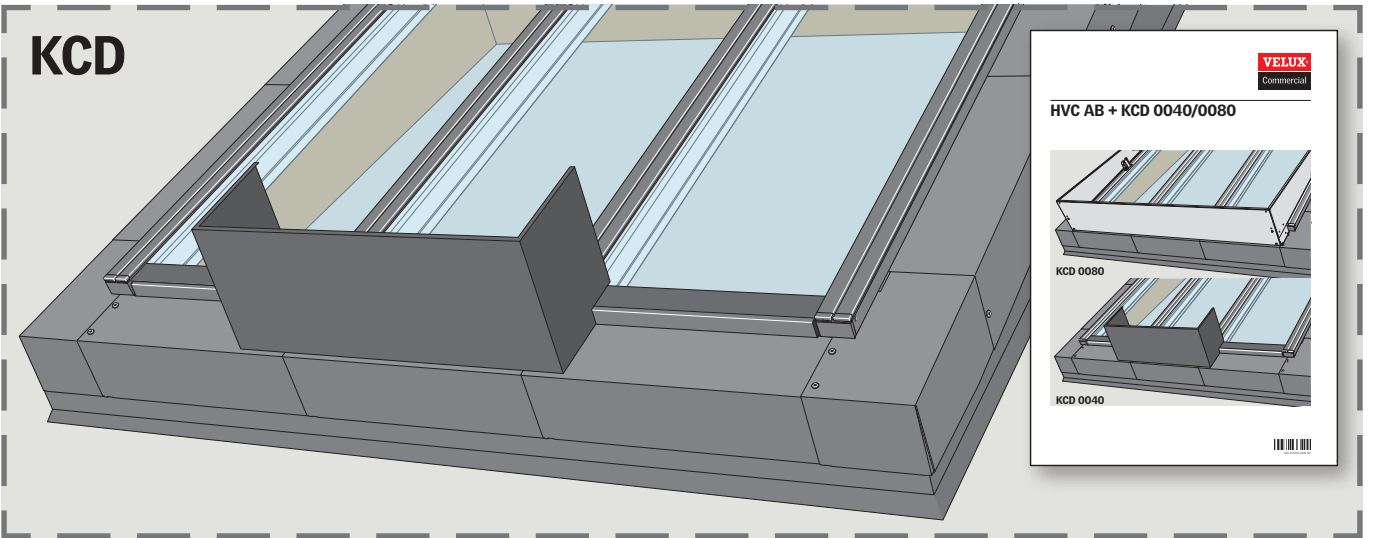




43



KCD



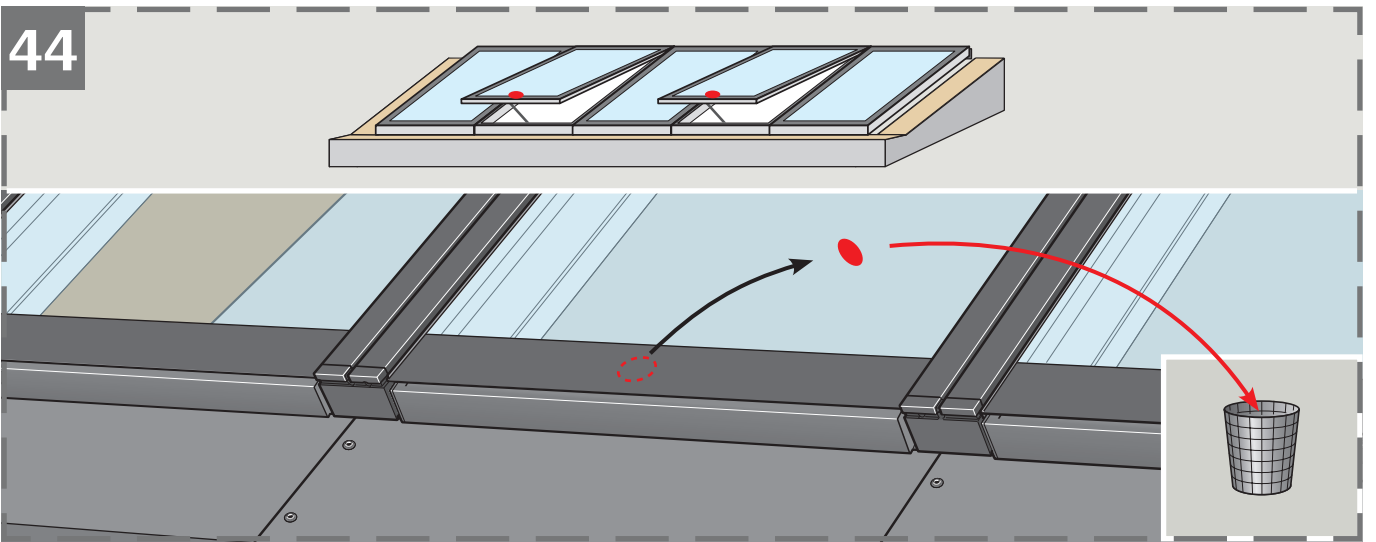
**VELUX**  
Commercial

HVC AB + KCD 0040/0080

KCD 0080

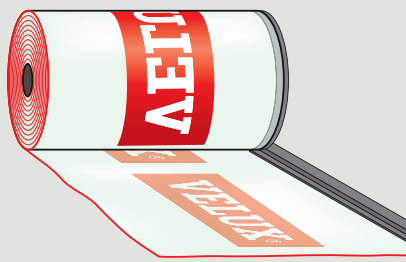
KCD 0040

44



45

BCX/BSX



BSX

BCX

**VELUX**  
Commercial

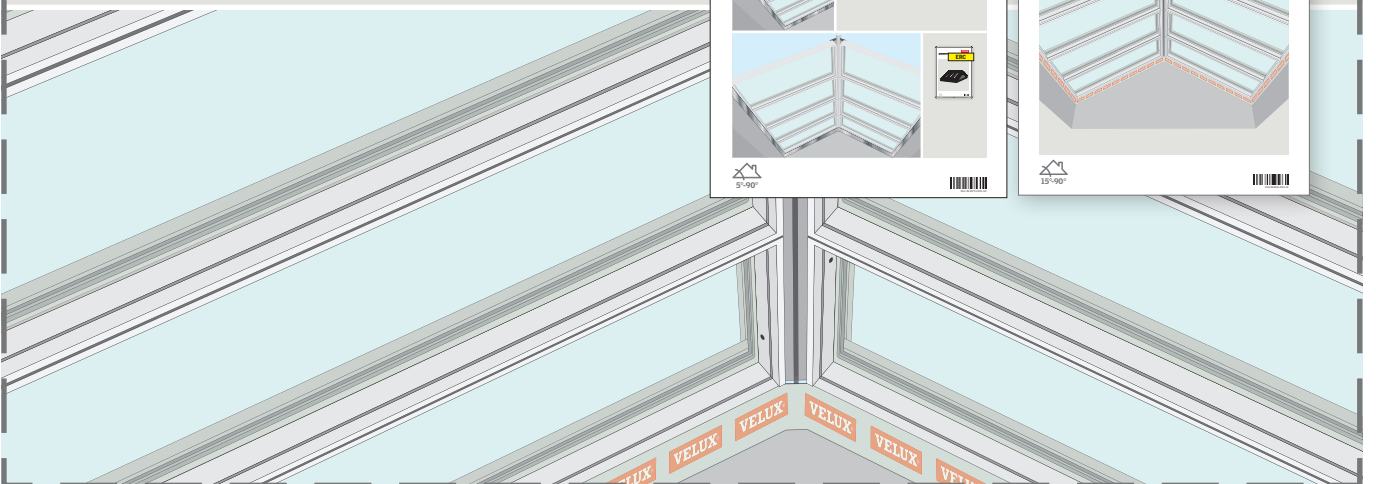
HFC/HVC + BSX  
+ ZZZ 254 + ZZZ 255

5°-90°

**VELUX**

HFC/HVC + BCX

15°-90°





**AR:** VELUX Argentina S.A.  
348 4 639944

**AT:** VELUX Österreich GmbH  
02245/32 3 50

**AU:** VELUX Australia Pty. Ltd.  
1300 859 856

**BA:** VELUX Bosna i Hercegovina d.o.o.  
033/626 493, 626 494

**BE:** VELUX Belgium  
(010) 42.09.09

**BG:** ВЕЛУКС България ЕООД  
02/955 99 30

**BY:** Унитарное предприятие  
"ВЕЛЮКС Мансардные Окна"  
(017) 329 20 89

**CA:** VELUX Canada Inc.  
1 800 88-VELUX (888-3589)

**CH:** VELUX Schweiz AG  
062 289 44 45

**CL:** VELUX Chile SpA  
2 953 6789

**CN:** VELUX (CHINA) CO. LTD.  
0316-607 27 27

**CZ:** VELUX Česká republika, s.r.o.  
531 015 511

**DE:** VELUX Deutschland GmbH  
040 / 54 70 70

**DK:** VELUX Danmark A/S  
45 16 45 16

**EE:** VELUX Eesti OÜ  
621 7790

**ES:** VELUX Spain, S.A.U.  
91 509 71 00

**FI:** VELUX Suomi Oy  
0207 290 800

**FR:** VELUX France  
0806 80 15 15  
Service gratuit + prix appel

**GB:** VELUX Company Ltd.  
01592 778 225

**HR:** VELUX Hrvatska d.o.o.  
01/5555 444

**HU:** VELUX Magyarország Kft.  
(06/1) 436-0601

**IE:** VELUX Company Ltd.  
01 848 8775

**IT:** VELUX Italia s.p.a.  
045/6173666

**JP:** VELUX-Japan Ltd.  
0570-00-8141

**KR:** VELUX International (VELUX A/S)  
+45 7632 9240

**LT:** VELUX Lietuva, UAB  
(85) 270 91 01

**LV:** VELUX Latvia SIA  
67 27 77 33

**NL:** VELUX Nederland B.V.  
030 - 6 629 629

**NO:** VELUX Norge AS  
22 51 06 00

**NZ:** VELUX New Zealand Ltd.  
0800 650 445

**PL:** VELUX Polska Sp. z o.o.  
(022) 33 77 000 / 33 77 070

**PT:** VELUX Portugal, Lda  
21 880 00 60

**RO:** VELUX România S.R.L.  
0268-402740

**RS:** VELUX Srbija d.o.o.  
011 20 57 500

**RU:** ЗАО ВЕЛЮКС  
(495) 640 87 20

**SE:** VELUX Svenska AB  
042/20 83 80

**SI:** VELUX Slovenija d.o.o.  
01 724 68 68

**SK:** VELUX Slovensko, s.r.o.  
(02) 33 000 555

**TR:** VELUX Çatı Pencereleri  
Ticaret Limited Şirketi  
0 216 302 54 10

**UA:** ТОВ "ВЕЛЮКС Україна"  
(044) 2916070

**US:** VELUX America LLC  
1-800-88-VELUX

[Commercial.velux.com](https://Commercial.velux.com)