

SSS/MSL

MK04
MK06
MK08
MK10
MK12
MK27

PK04
PK06
PK08
PK10
PK25

SK01
SK04
SK06
SK08
SK10

UK04
UK08
UK10

CK01
CK02
CK04
CK06

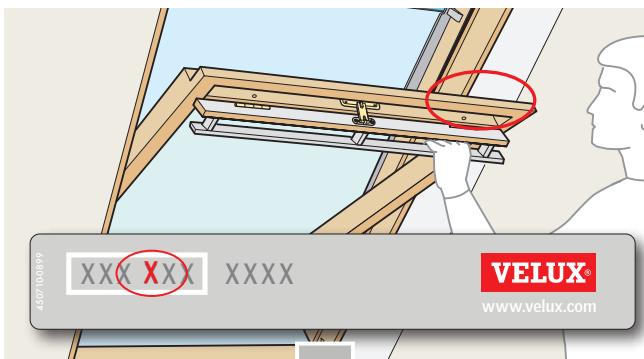
FK04
FK06
FK08



1



ZOZ 246

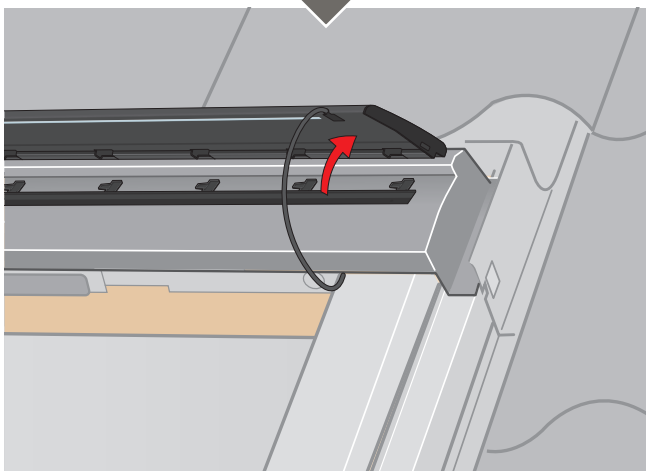
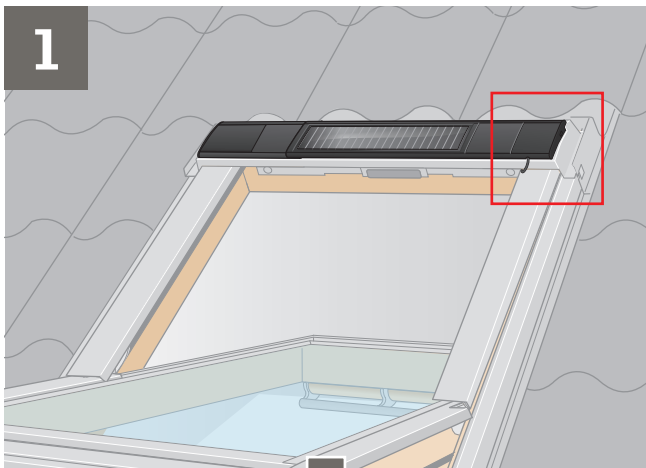


A-Z

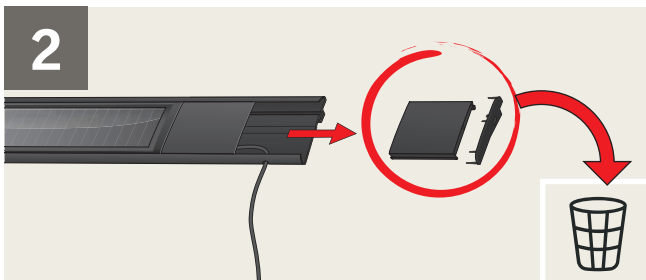


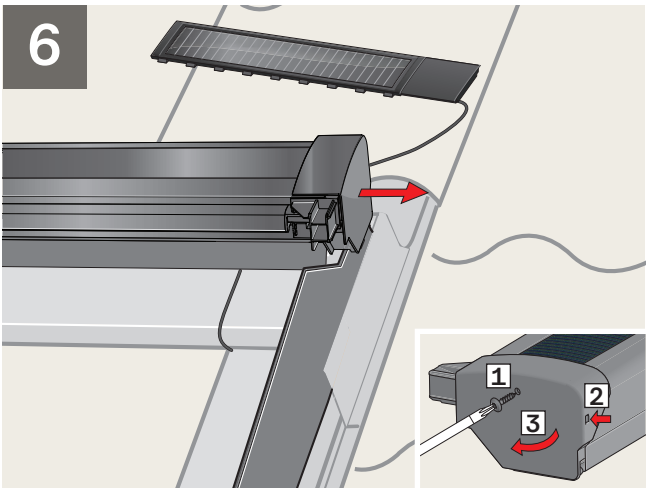
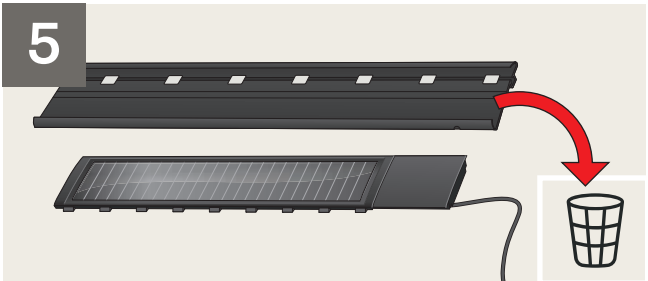
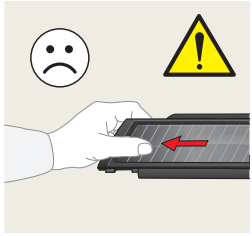
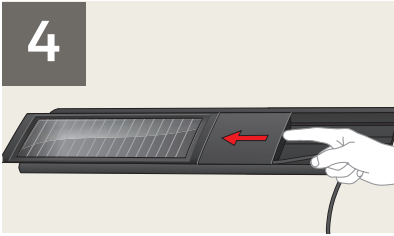
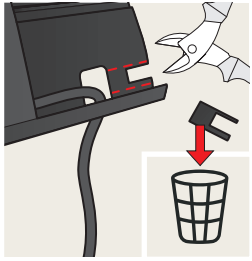
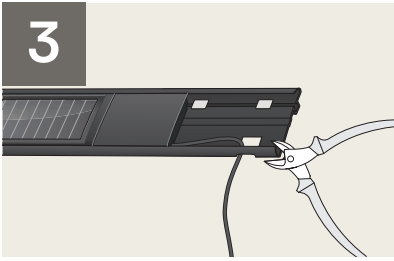
ZOZ 246

1

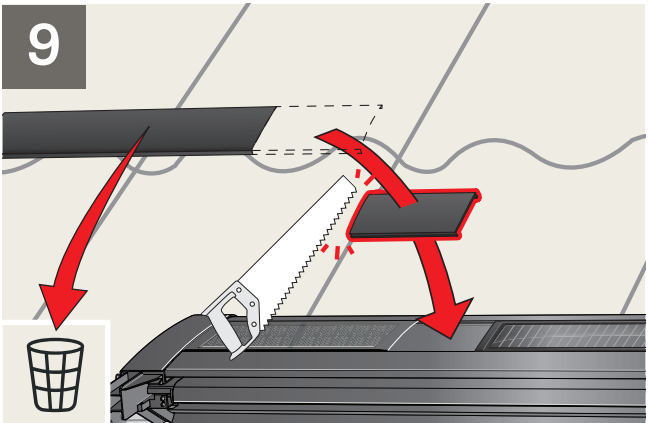
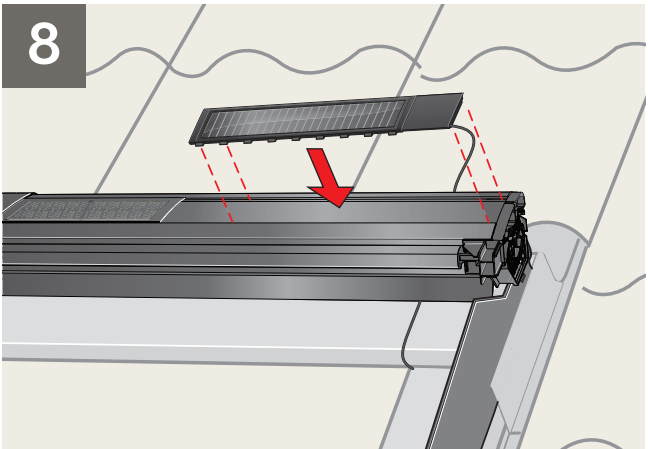
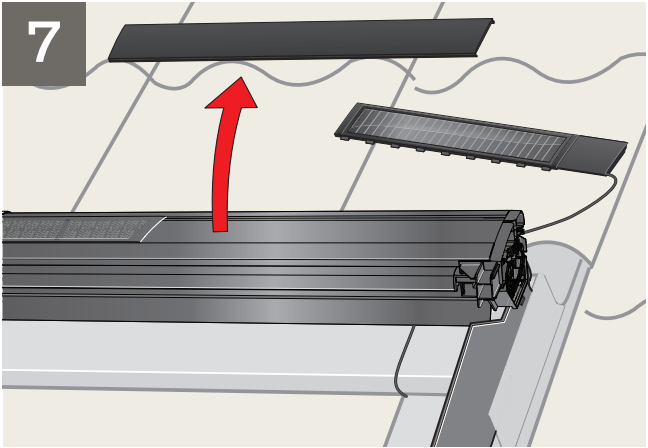


2

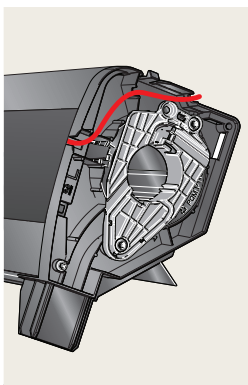
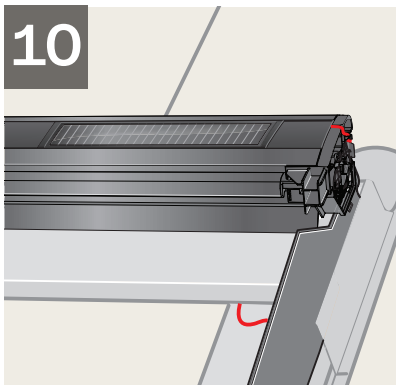




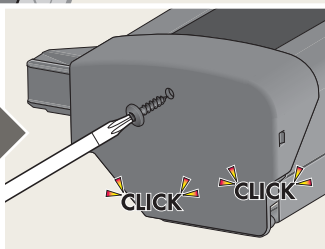
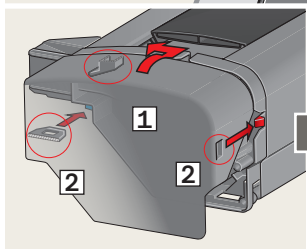
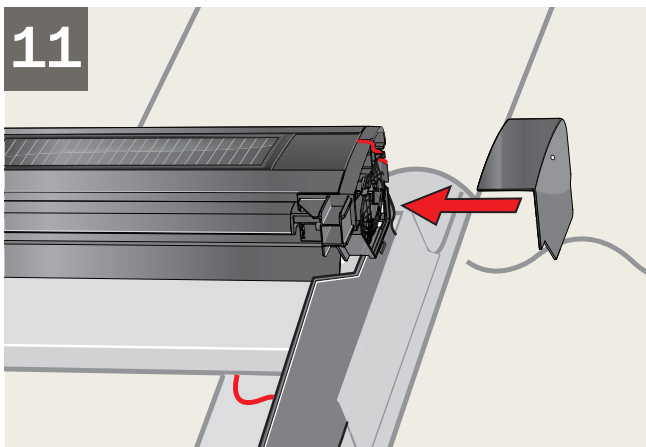
SUPPLEMENTARY INSTRUCTION. FOR SSS/MSL INTEGRA. © 2015, 2024, VELUX GROUP ©VELUX, THE VELUX LOGO ARE REGISTERED TRADEMARKS USED UNDER LICENCE BY THE VELUX GROUP



10



11



www.velux.com/electricalsupport

SSS/MSL



VELUX®



VAS 454704-2024-09