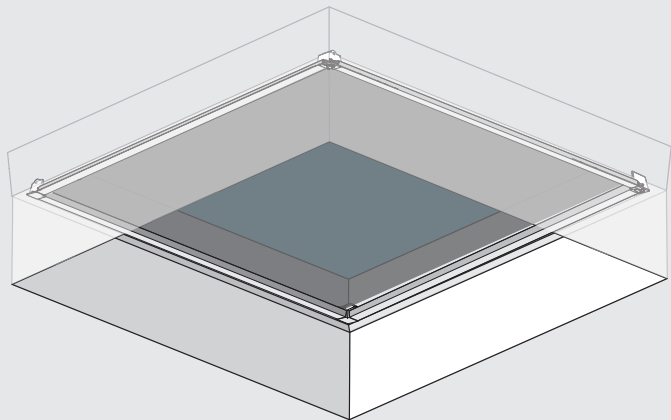


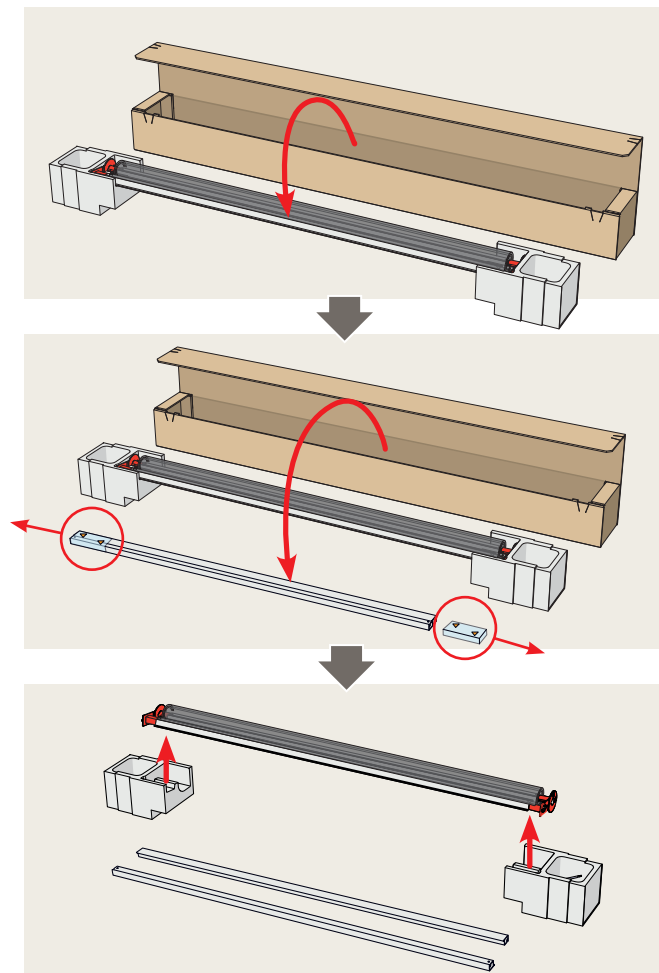
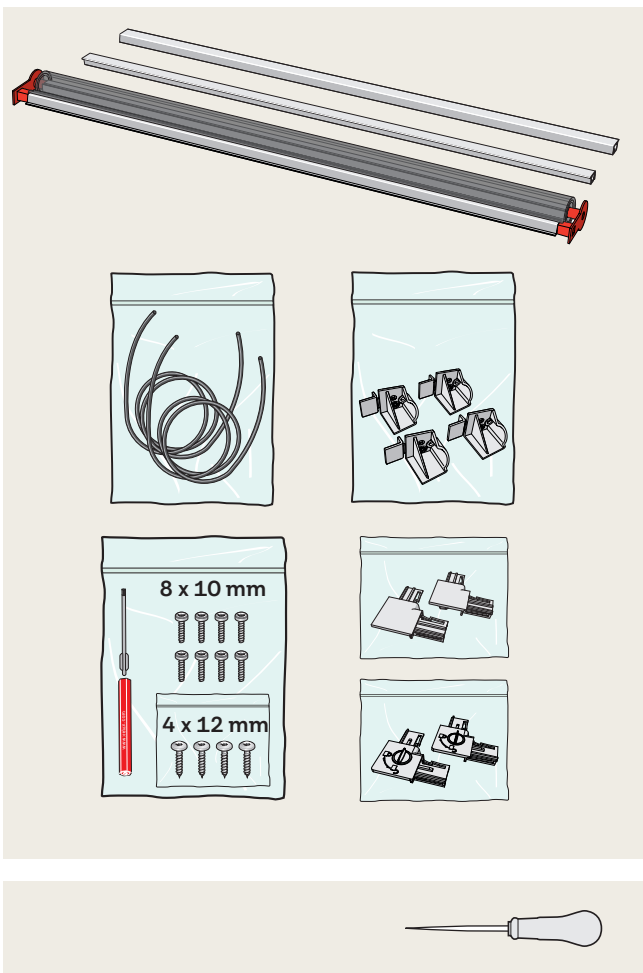
# ZIU

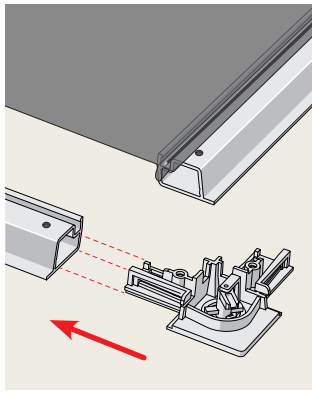
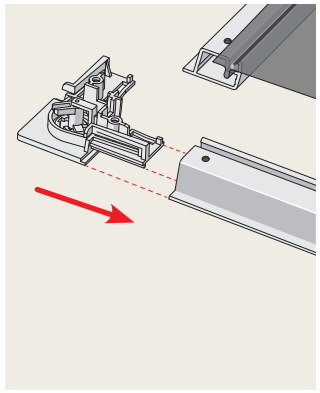
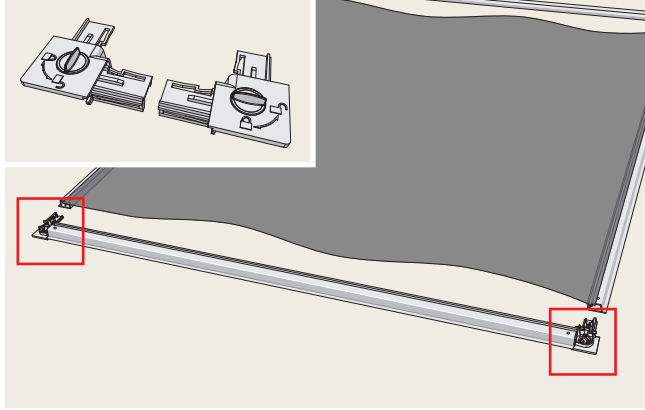
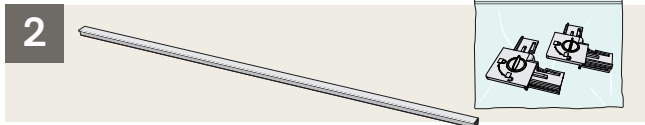
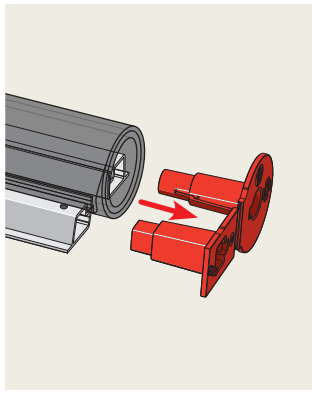
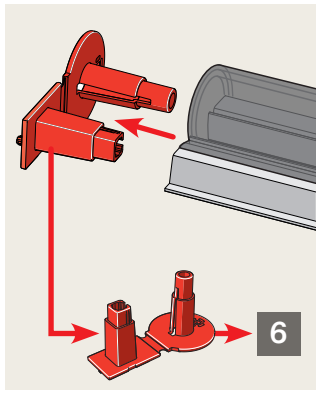
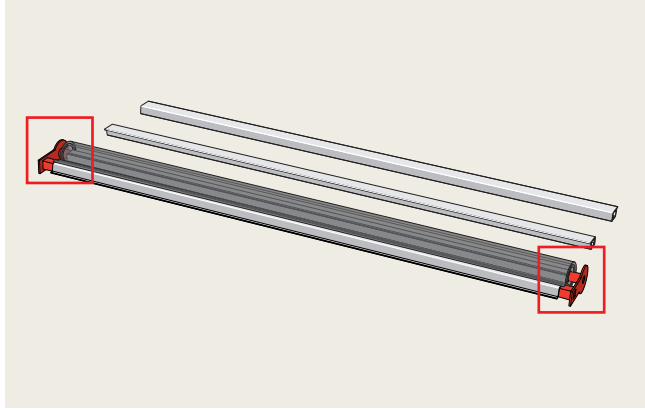
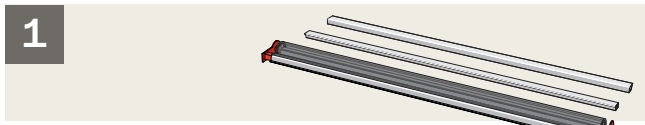


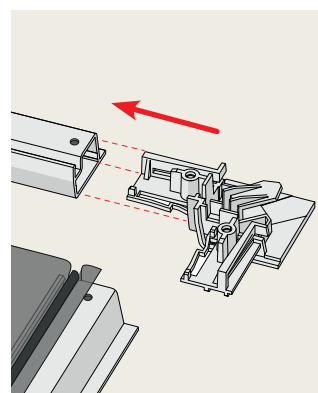
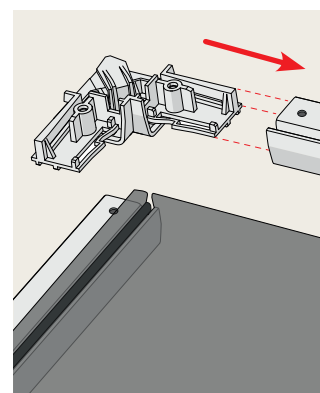
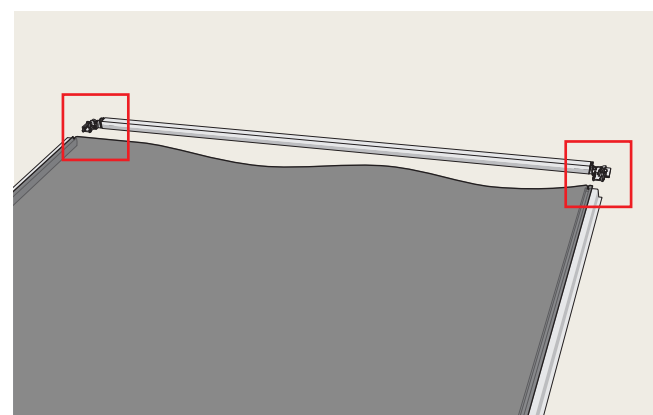
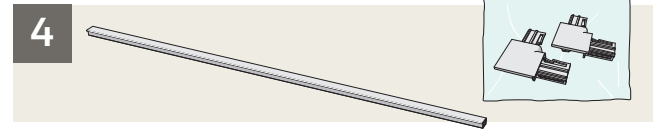
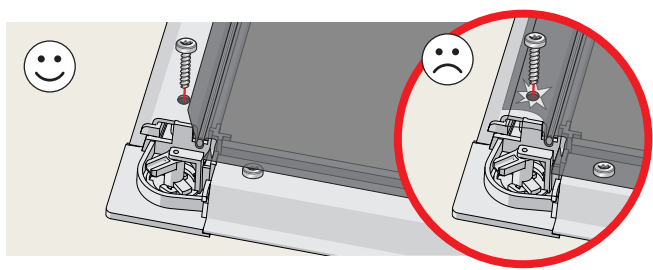
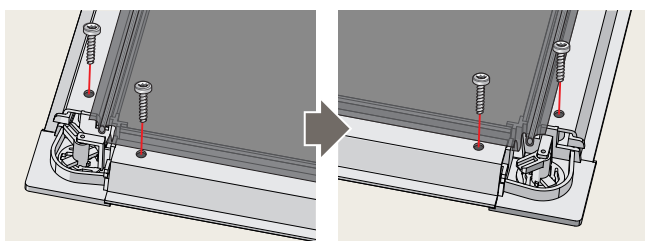
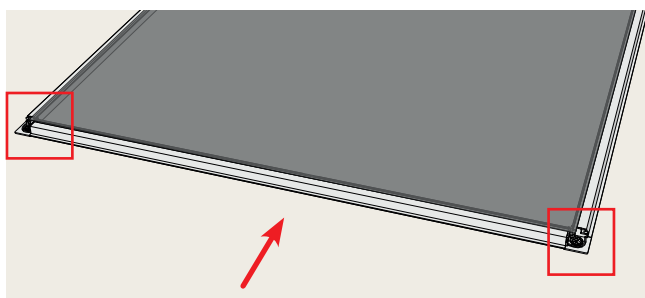
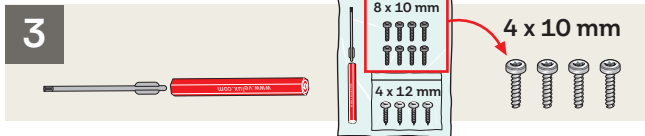
**VELUX®**

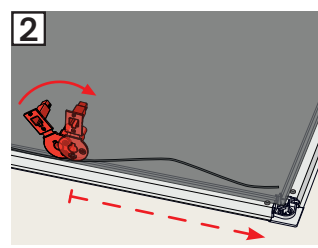
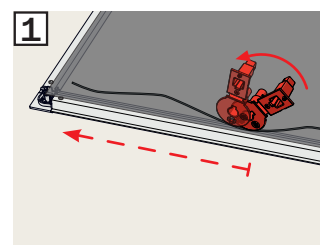
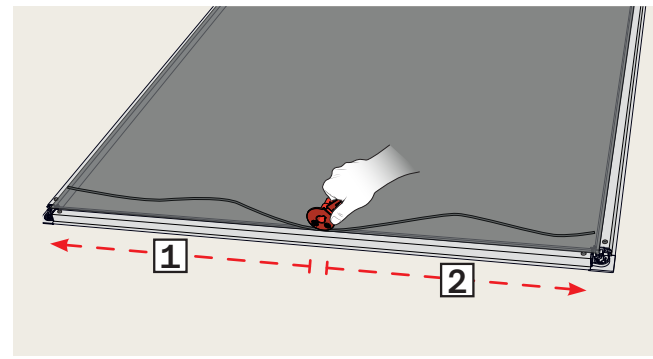
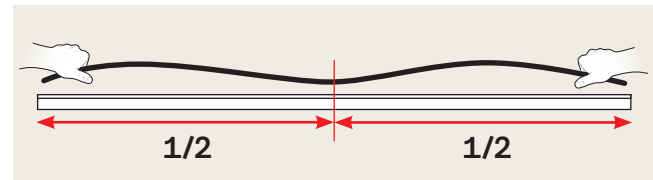
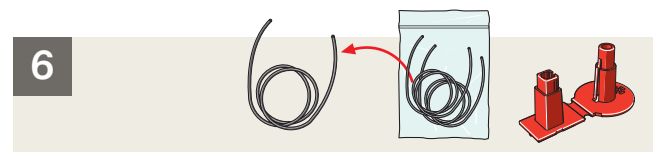
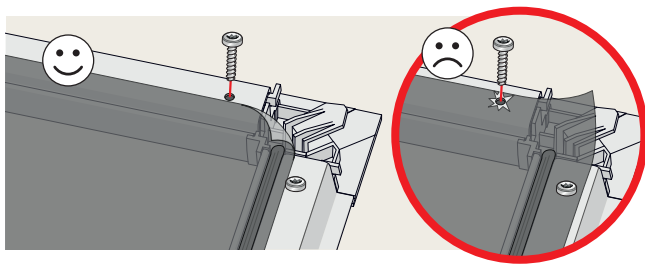
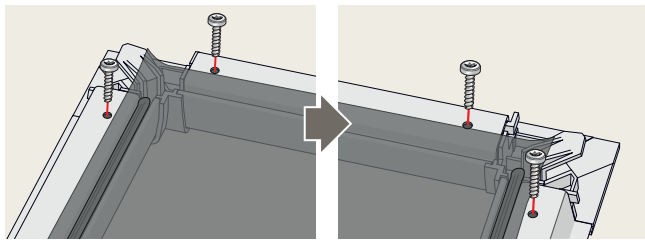
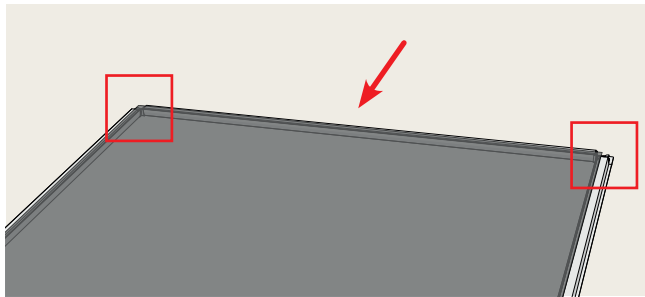
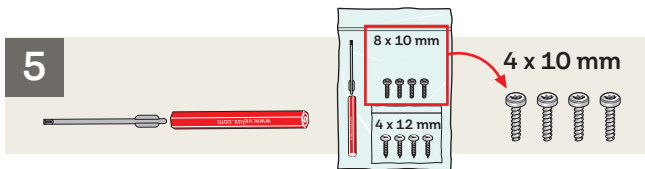


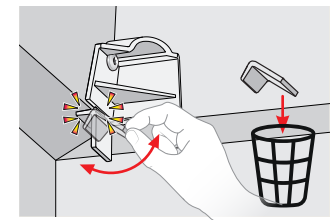
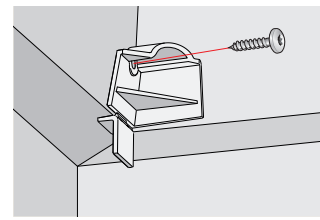
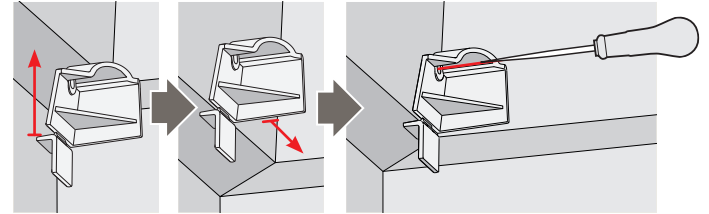
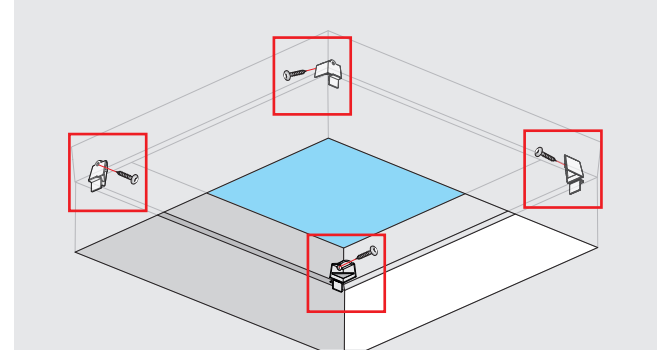
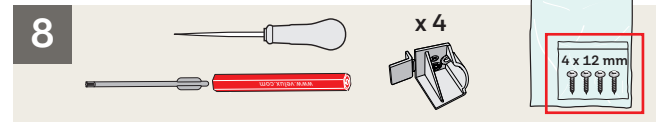
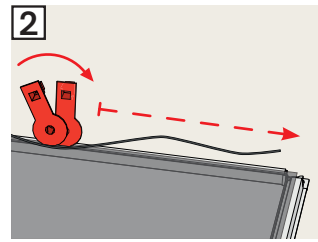
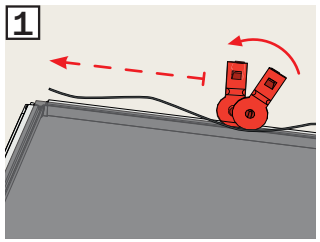
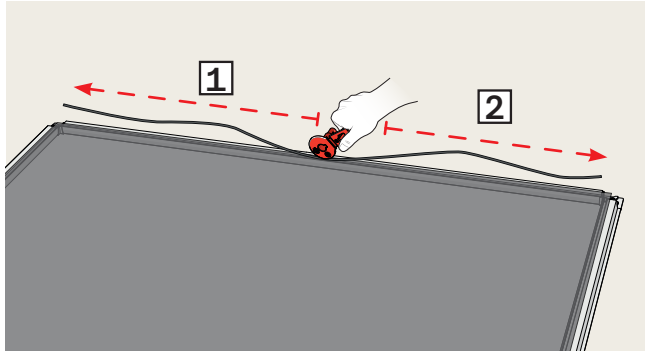
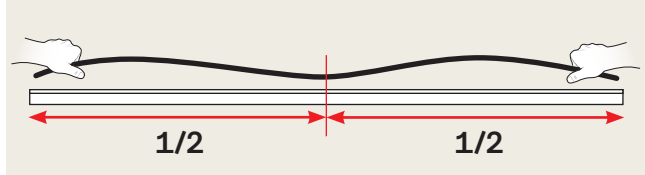
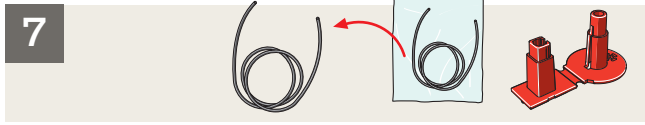
454632-2026-03

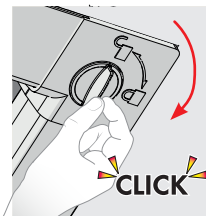
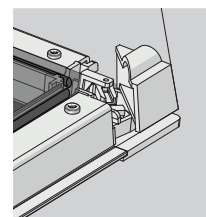
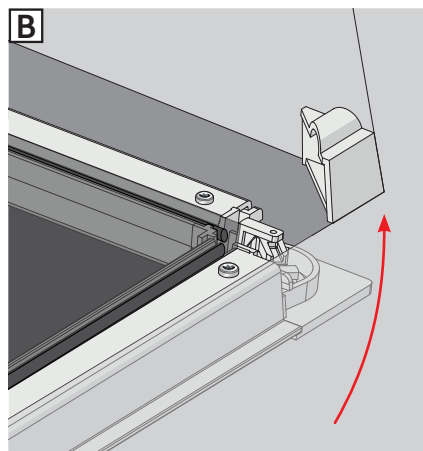
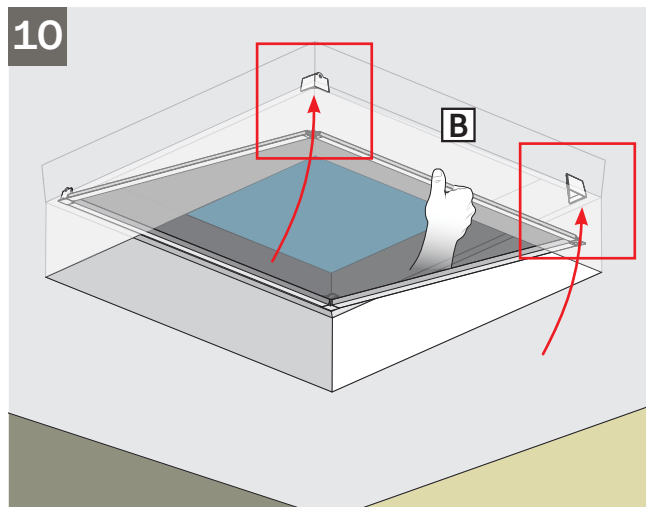
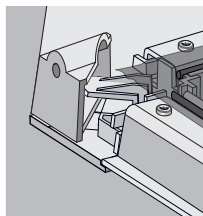
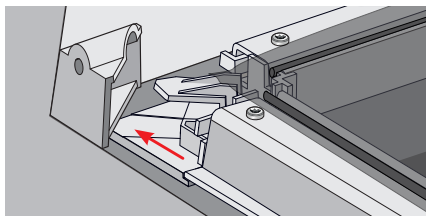
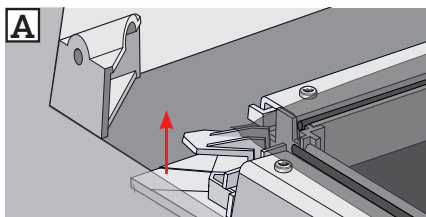
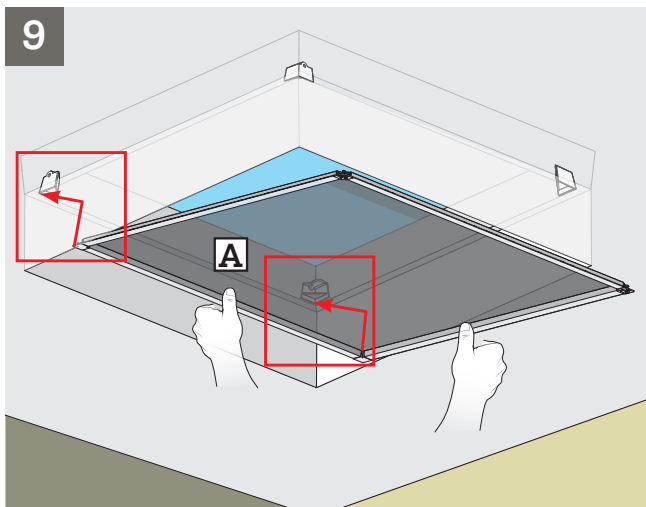


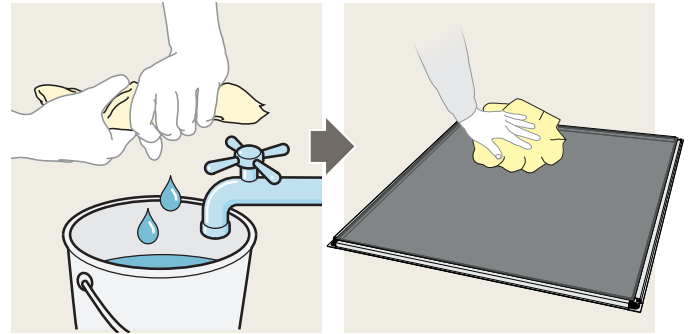
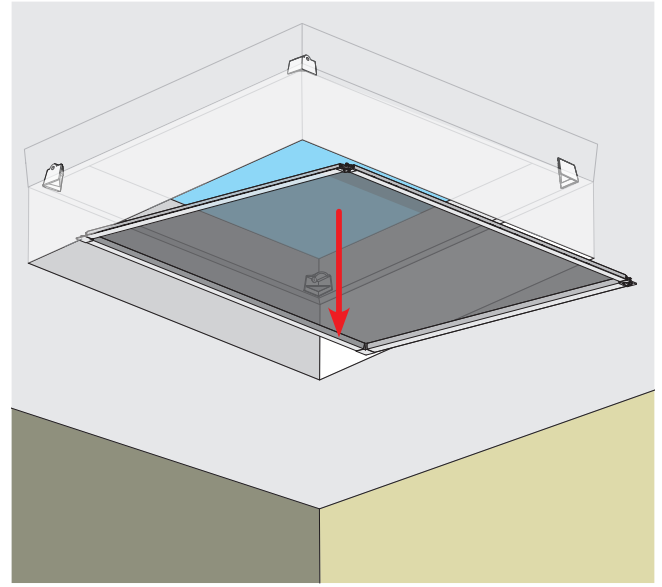
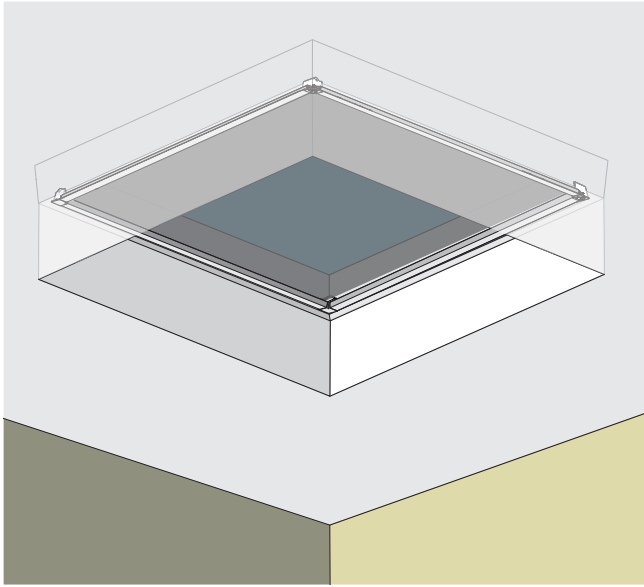






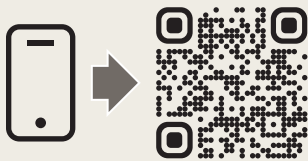






**VELUX®**

[www.velux.com](http://www.velux.com)



[velux.com/contact](http://velux.com/contact)

INSTALLATION INSTRUCTIONS FOR ZIU. ©2022, 2026 VELUX GROUP  
®VELUX AND THE VELUX LOGO, ARE REGISTERED TRADEMARKS USED UNDER LICENSE BY THE VELUX GROUP