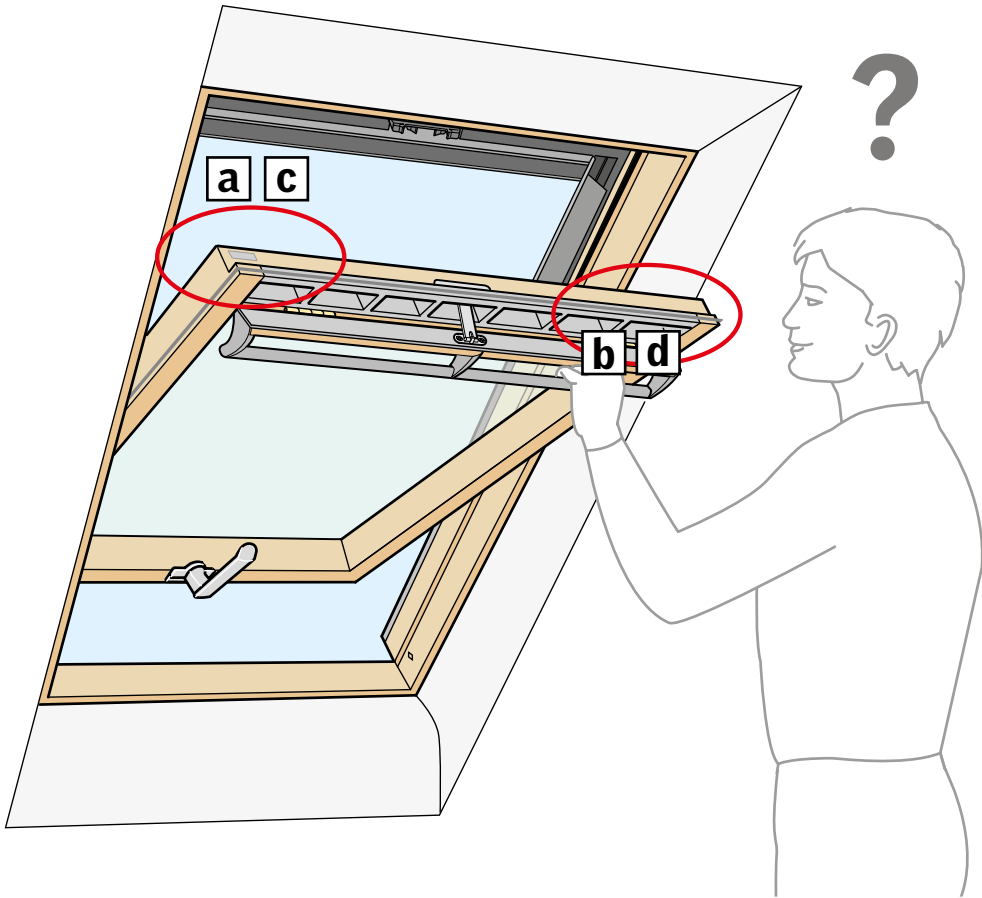


VELUX®

VELUX INTEGRA® MML





a

VELUX® XXX **K**XXXX XXXXXXXX
XX XXXX X
www.velux.com/ce EN14351-1:2006+A2:2016

Pages 4-22

b

A-Z
XXX **X**XX XXXX VELUX®
www.velux.com

Pages 24-41

c

GPU VELUX INTEGRA®

VELUX® GPU **X**XXXX VELUX INTEGRA® XXXXXXXX
XX XXXX X
www.velux.com/ce EN14351-1:2006+A1:2010

ZOZ 229

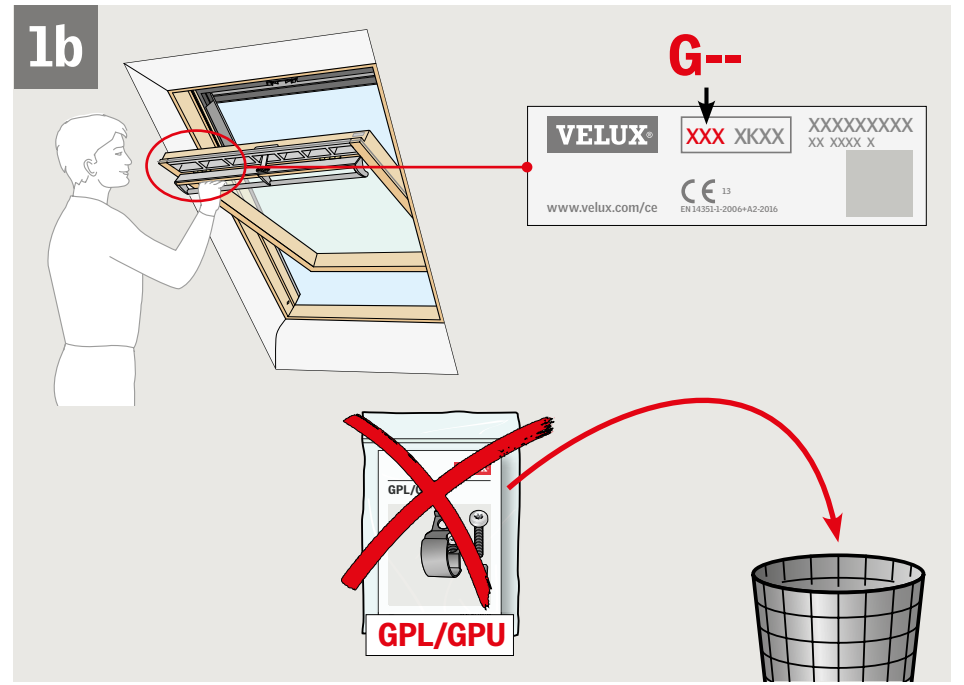
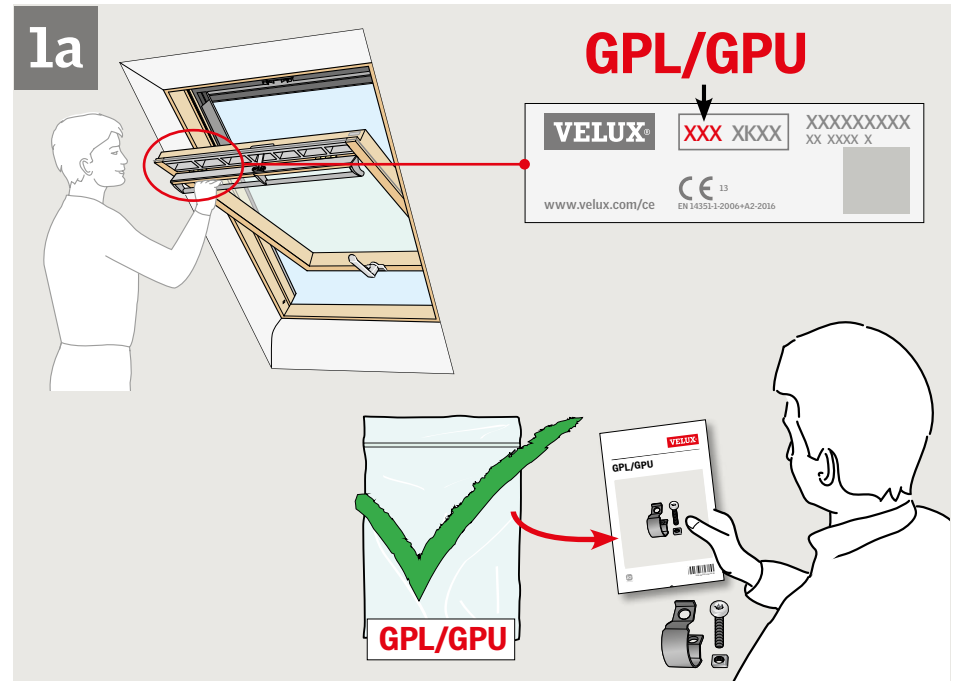
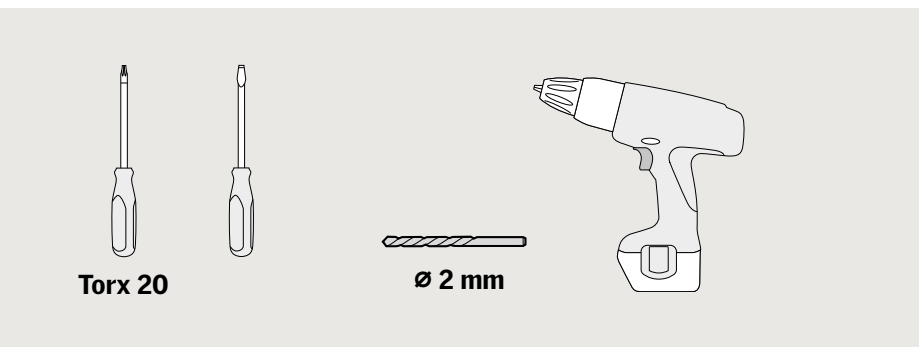
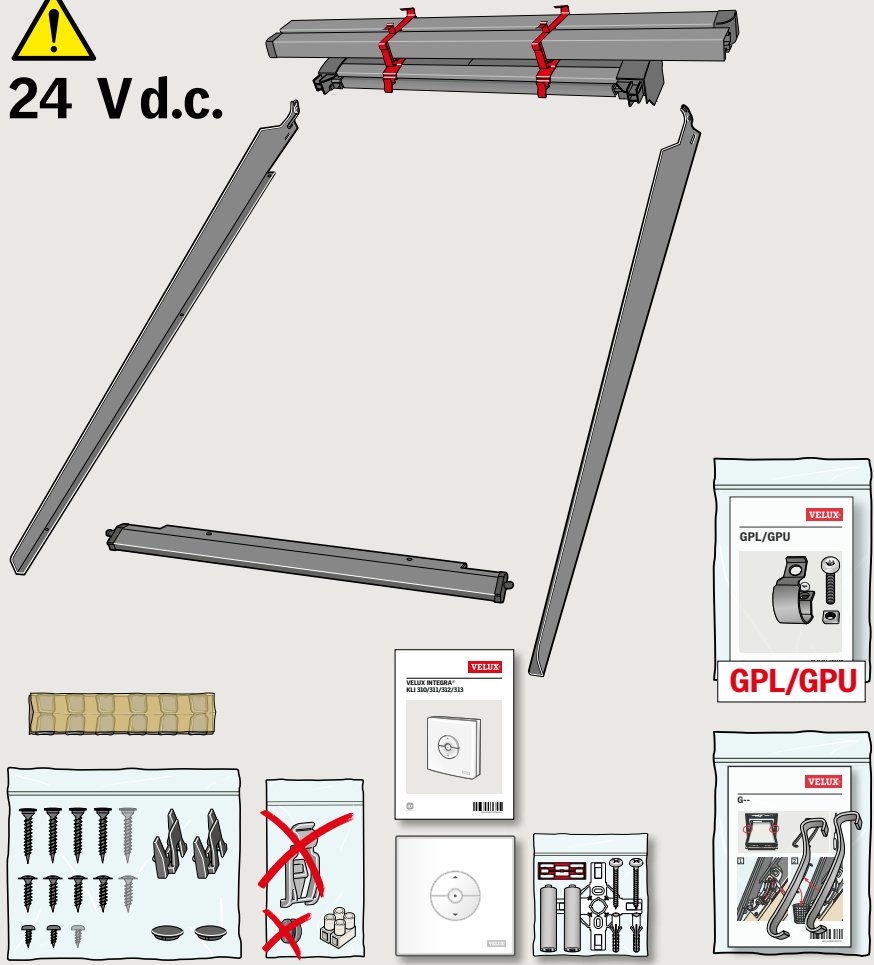
d

0-9
VELUX® XXX **X**XX XXXX

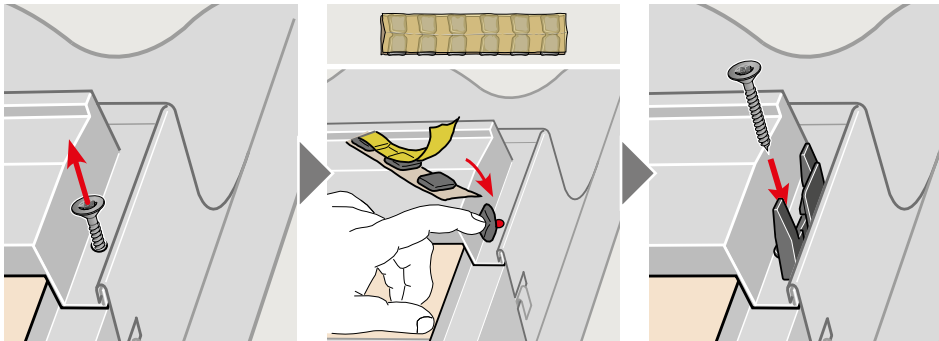
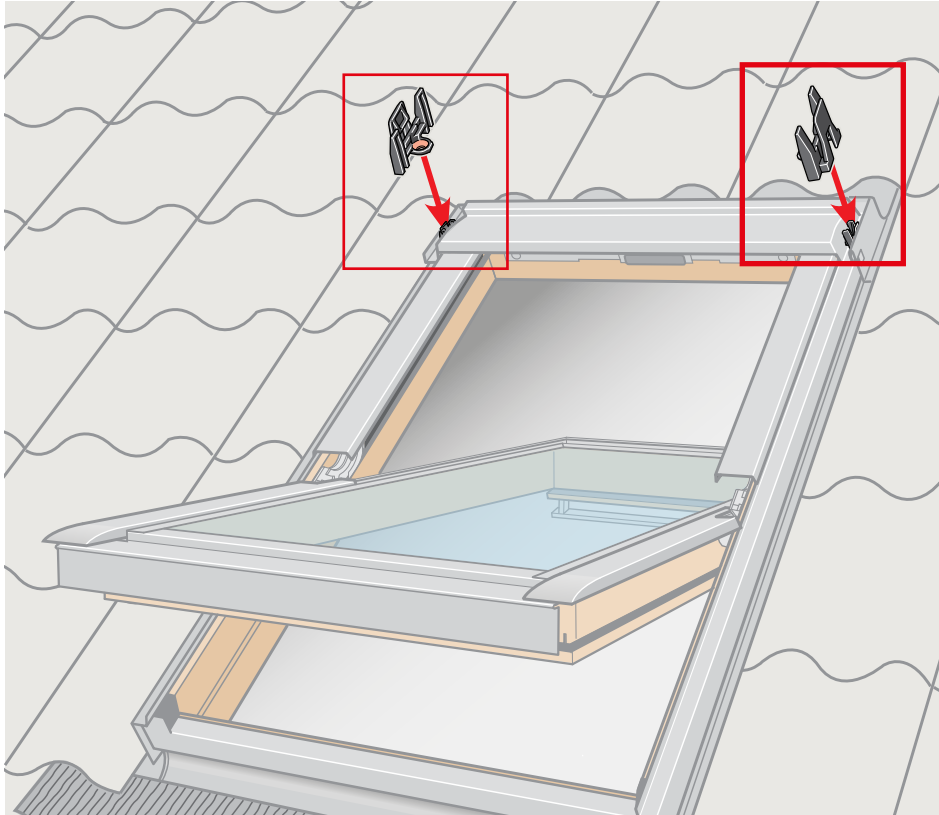
ZOZ 238



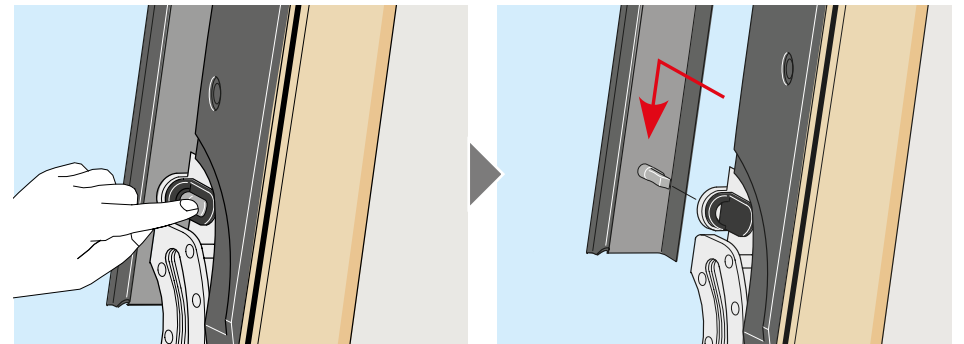
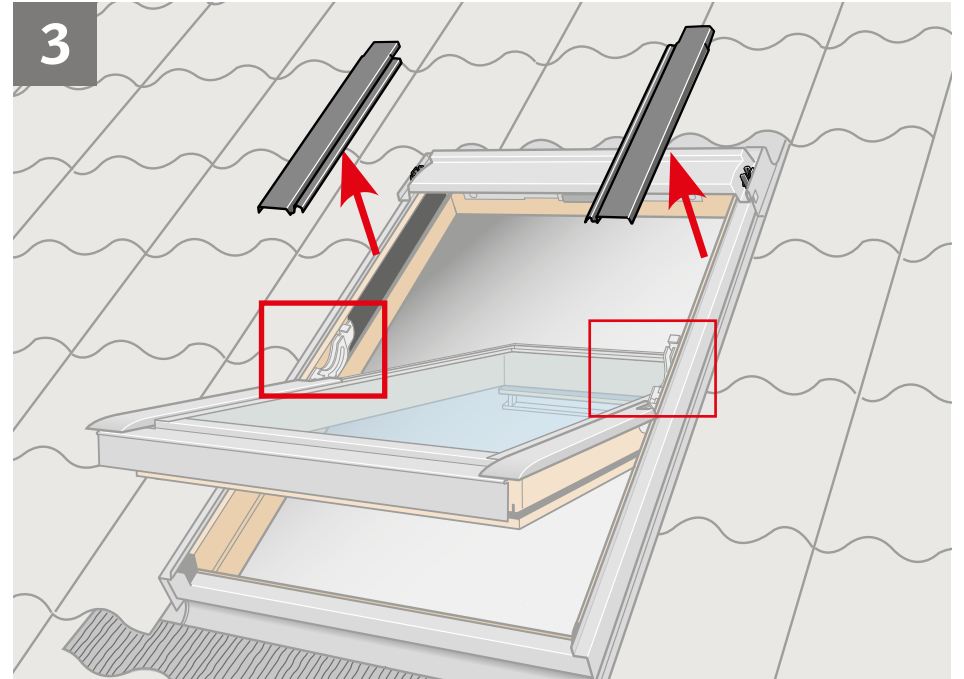
24 V d.c.



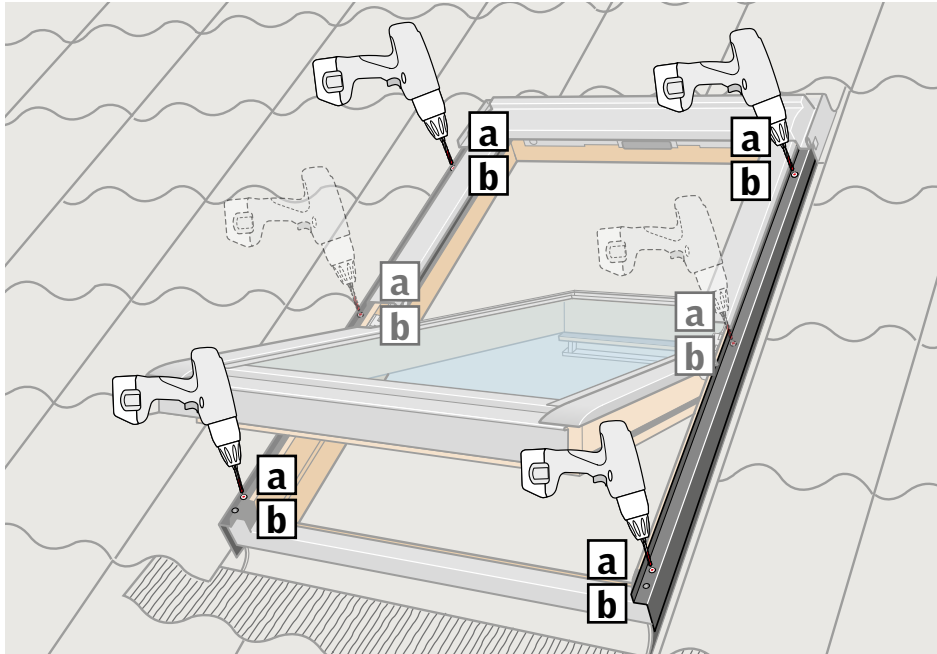
2



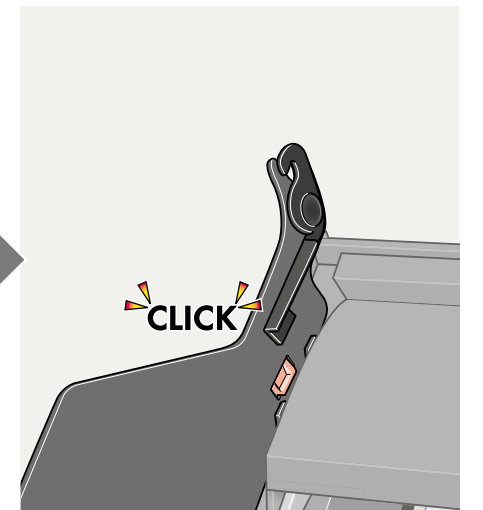
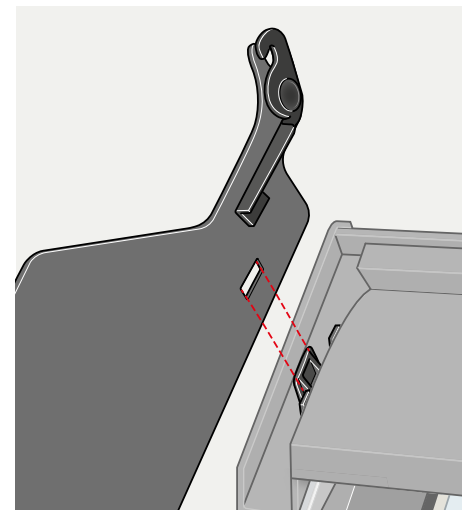
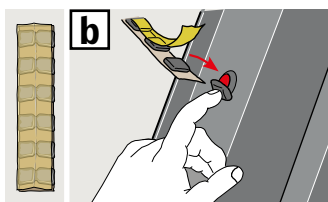
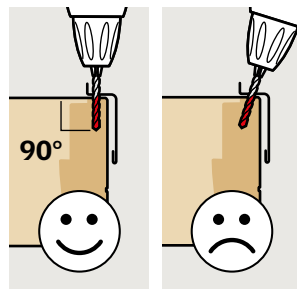
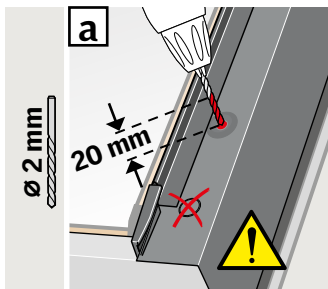
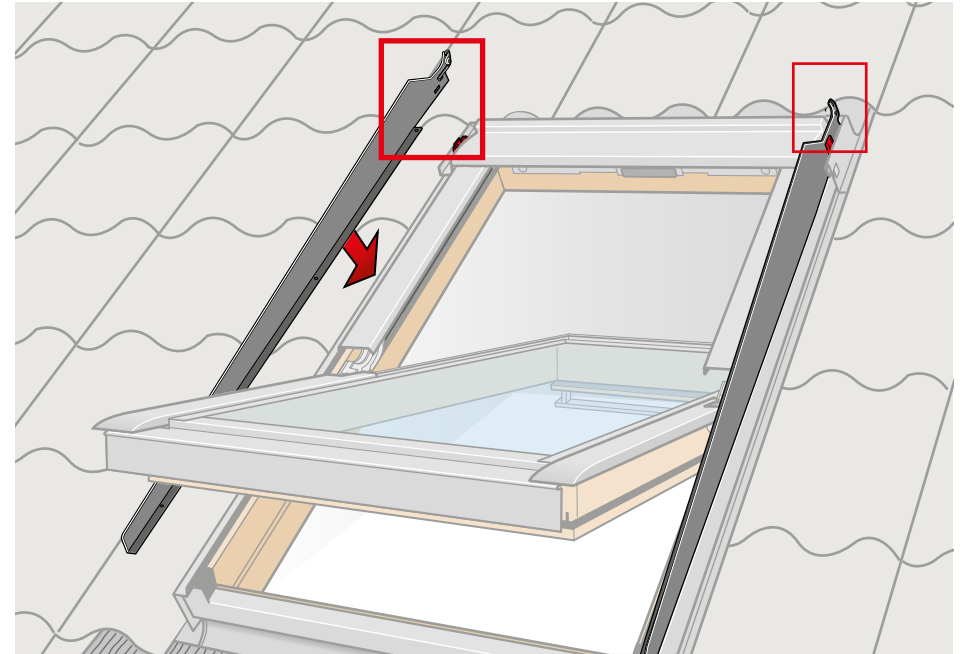
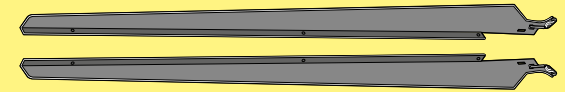
3



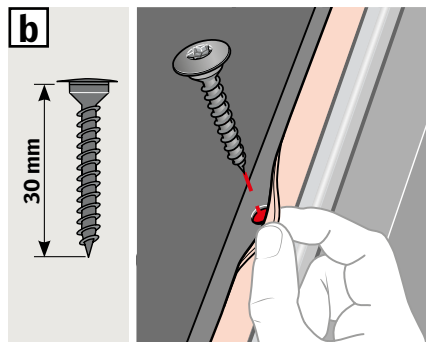
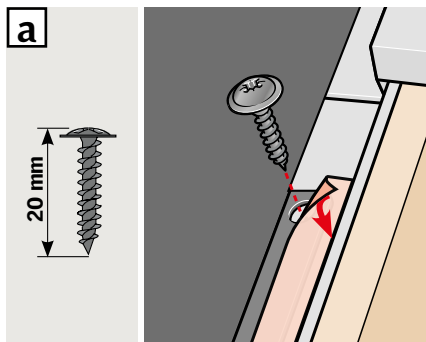
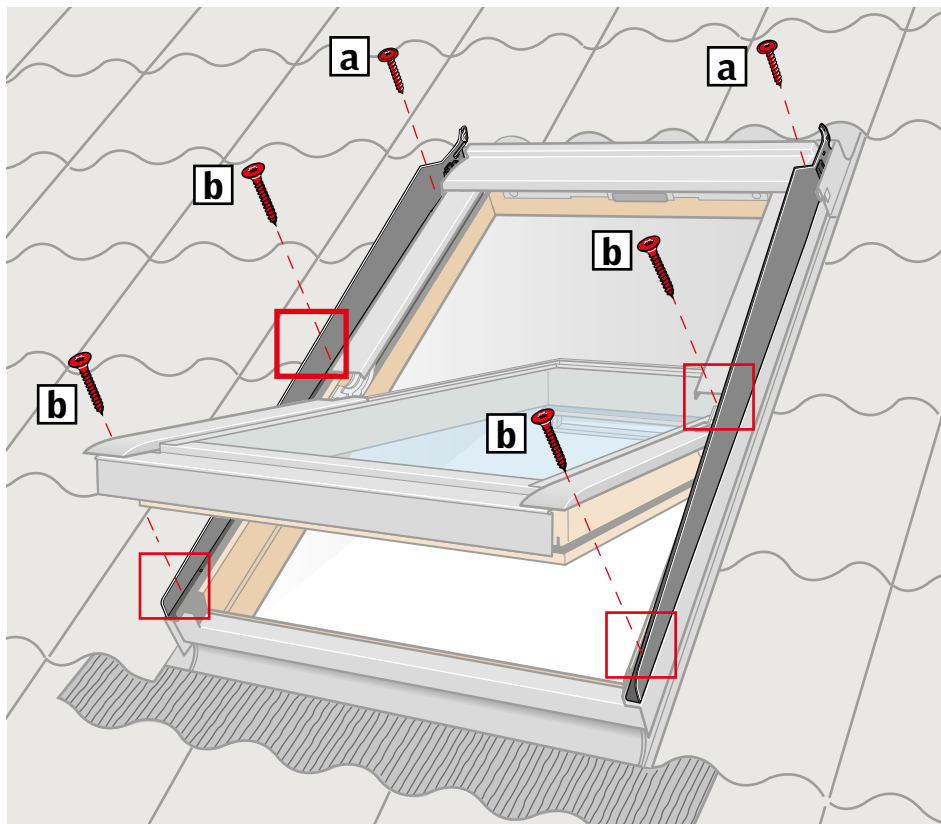
4



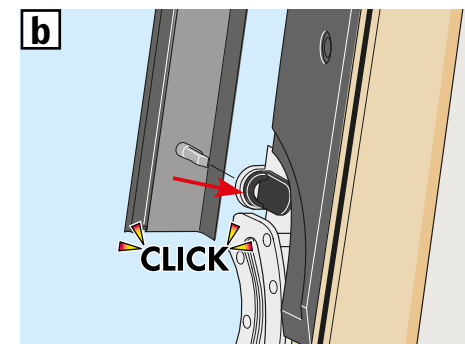
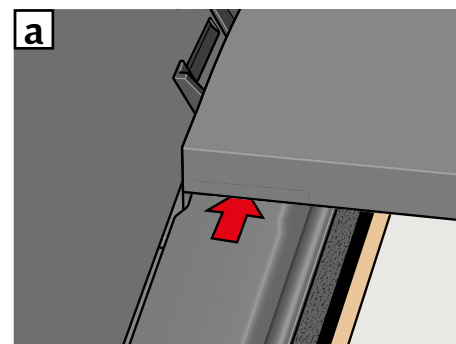
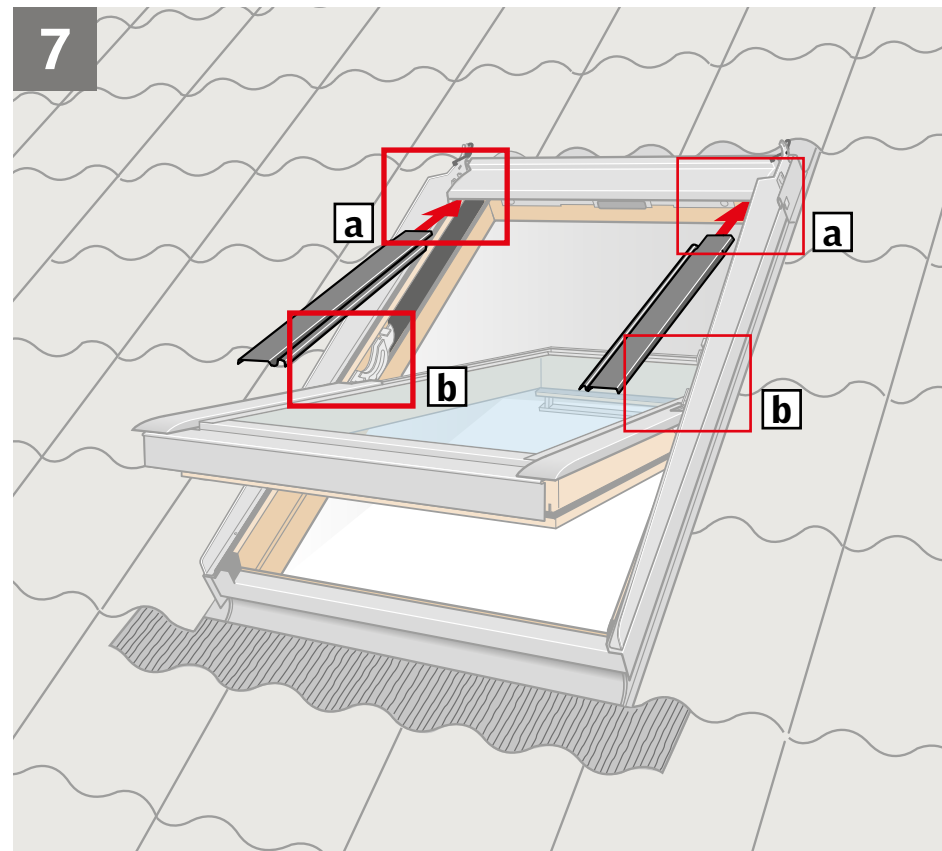
5



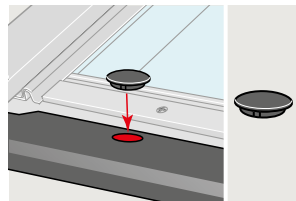
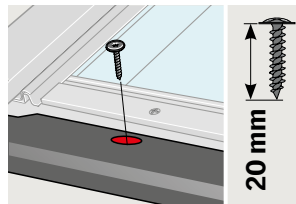
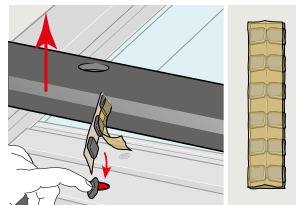
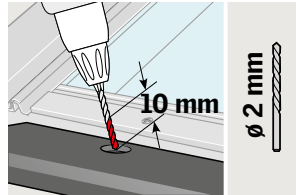
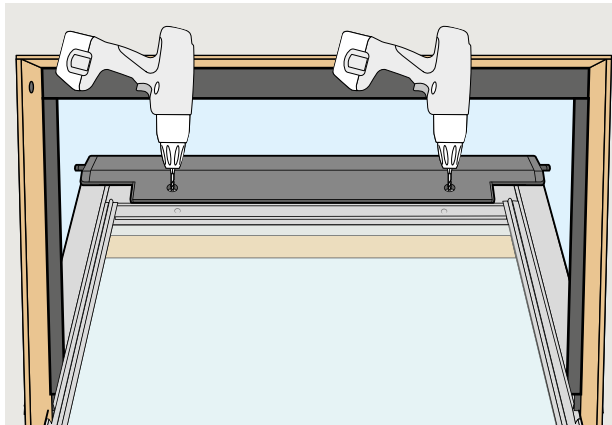
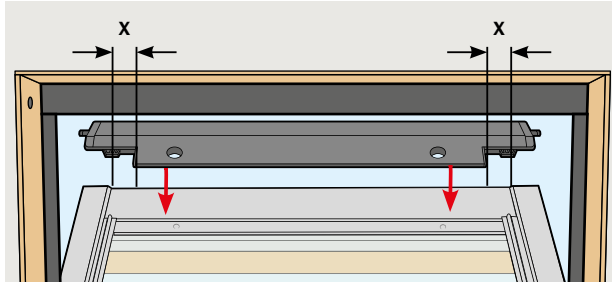
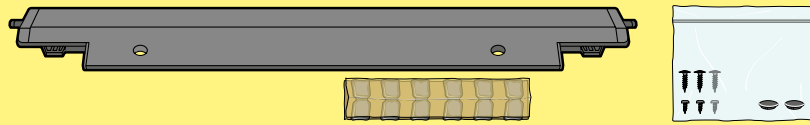
6



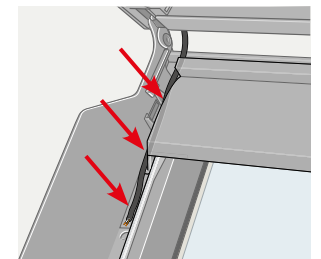
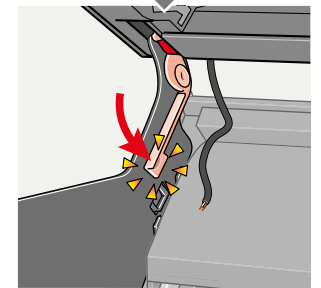
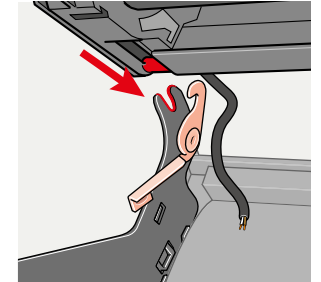
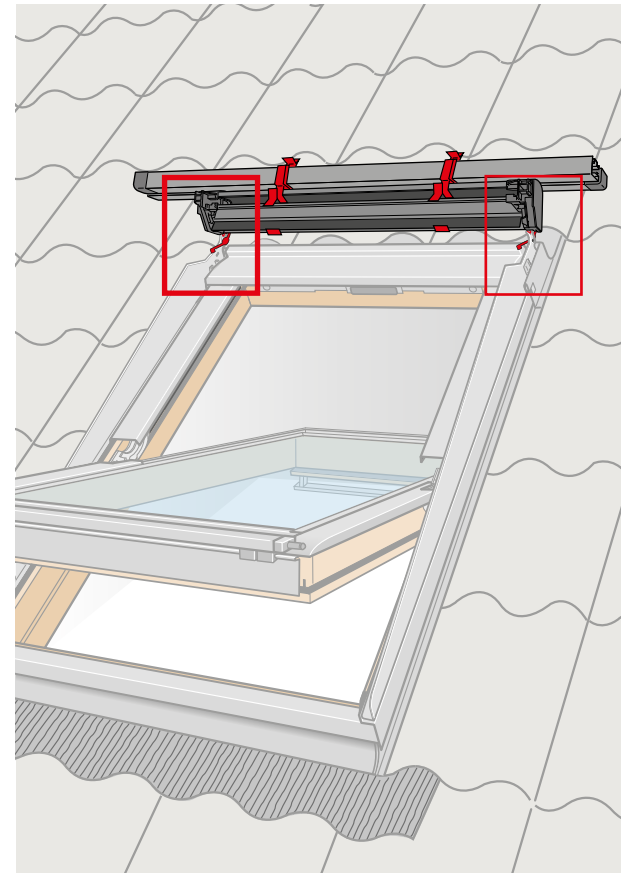
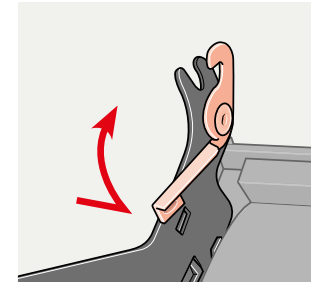
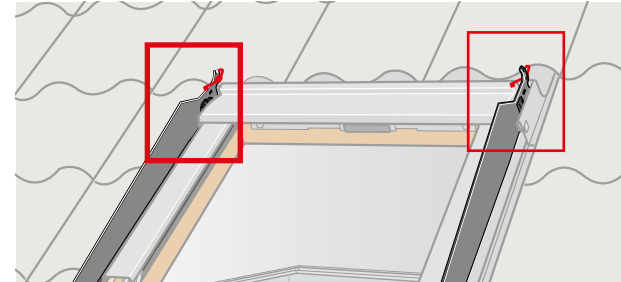
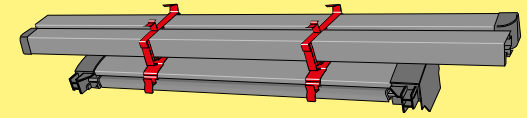
7

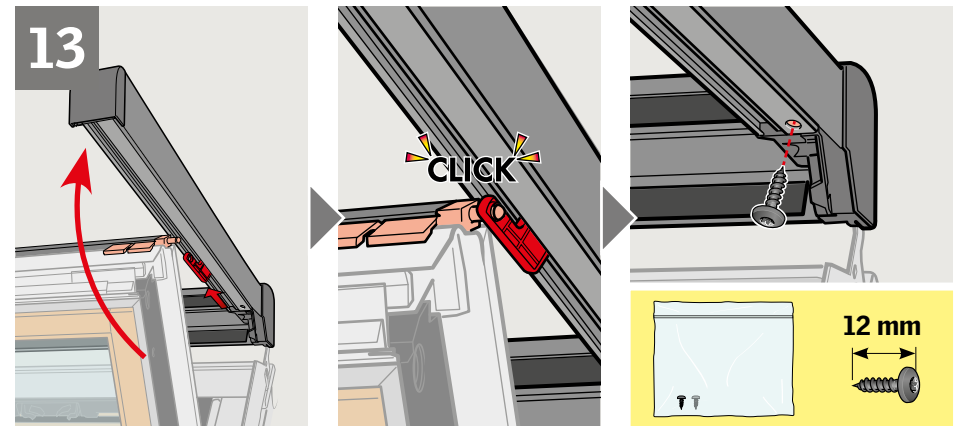
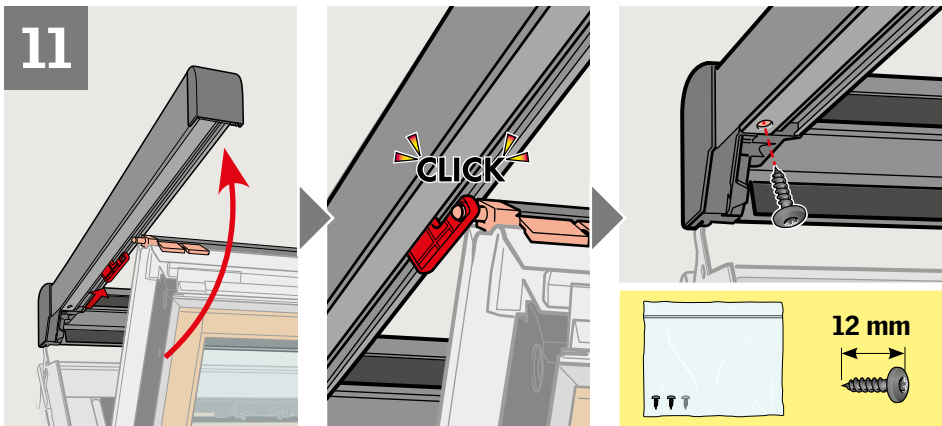
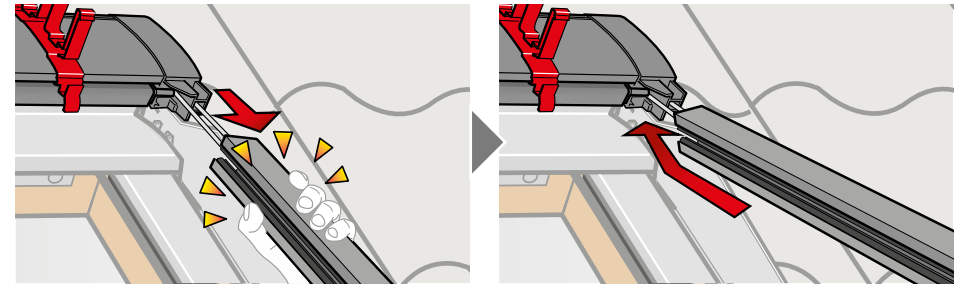
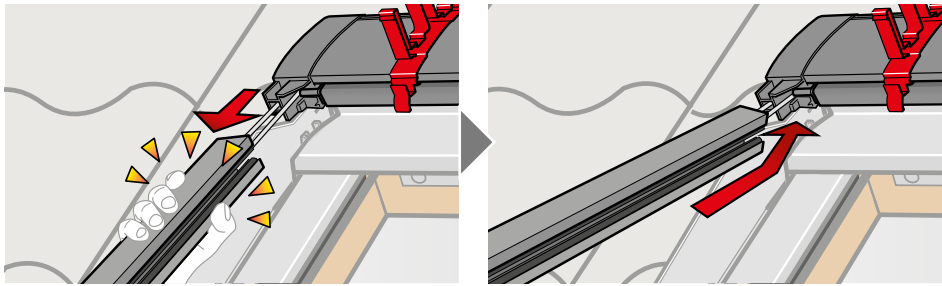
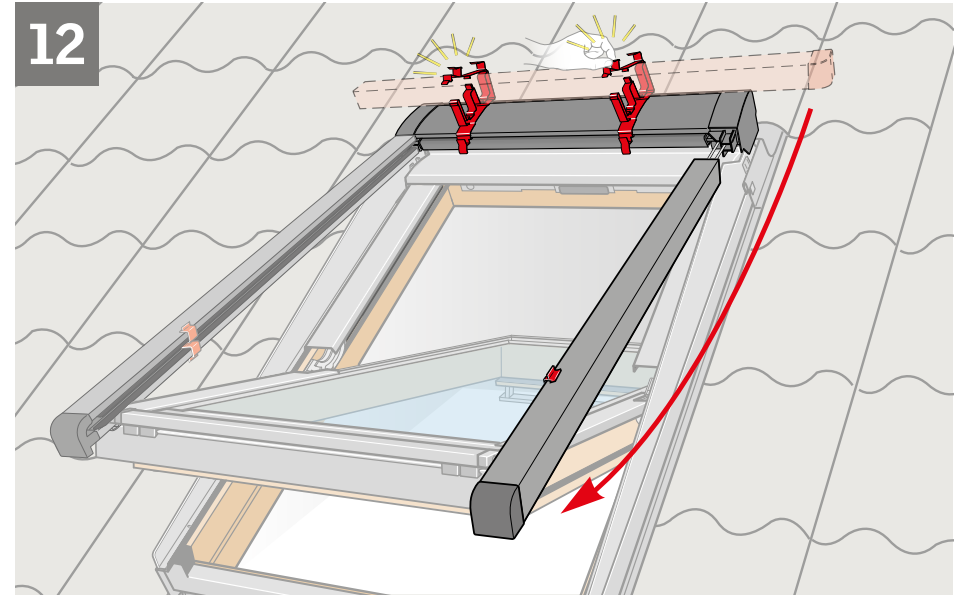
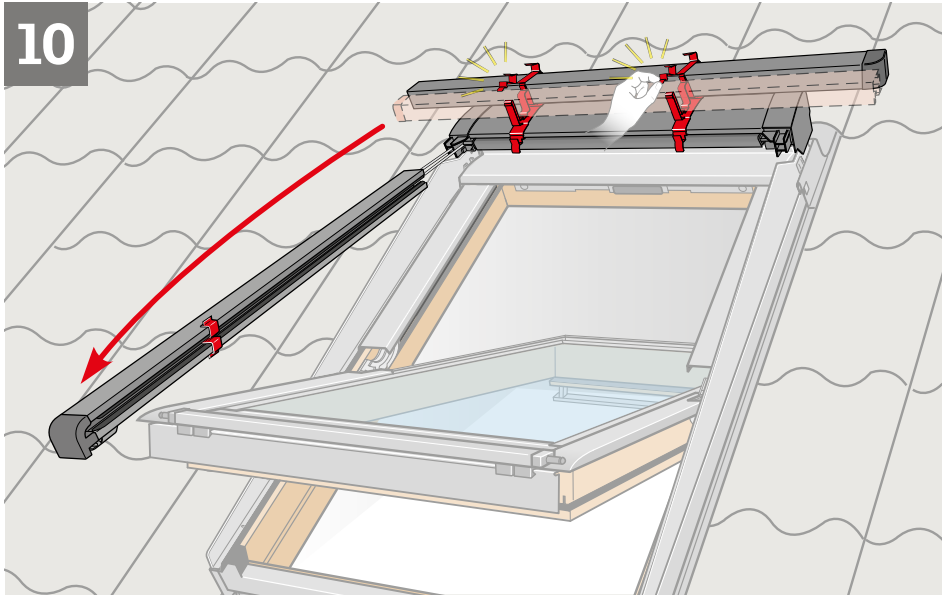


8

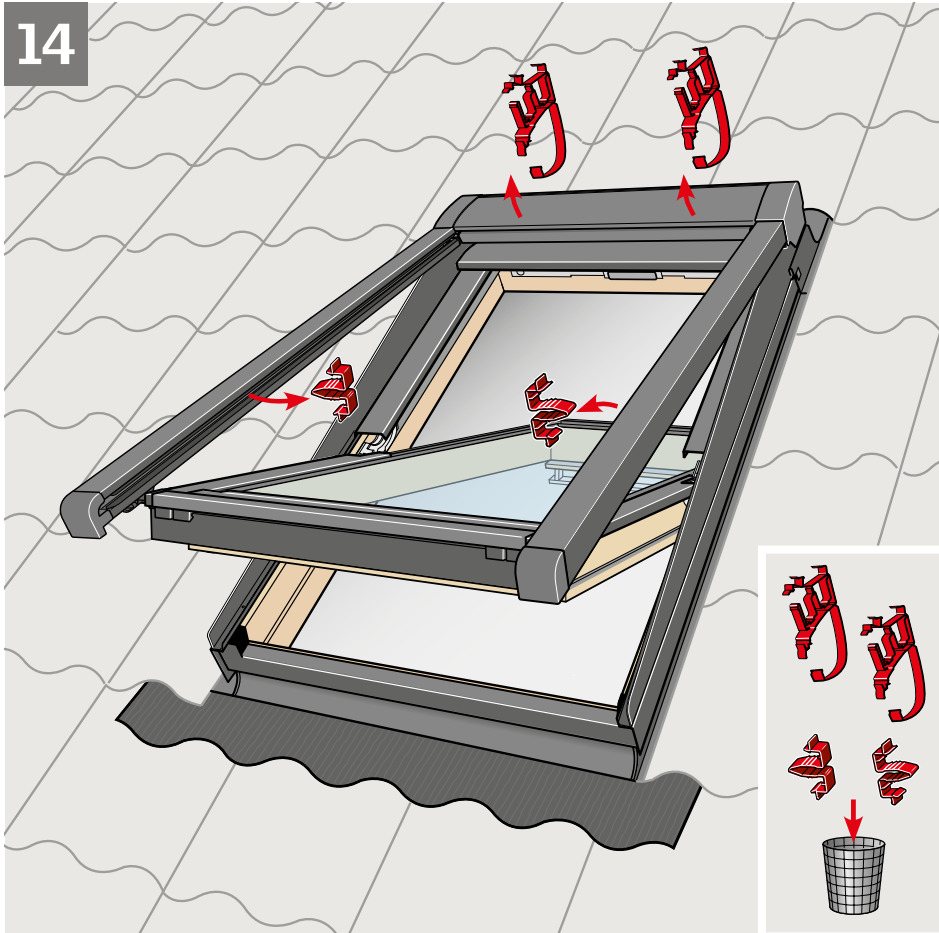


9





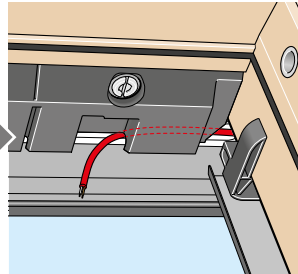
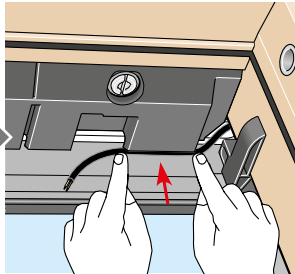
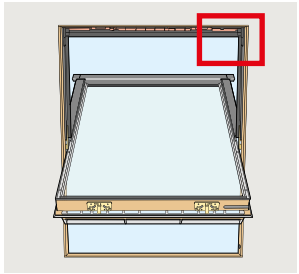
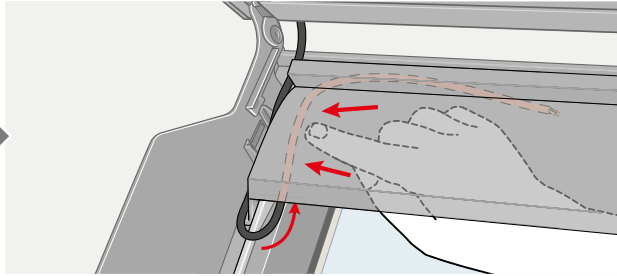
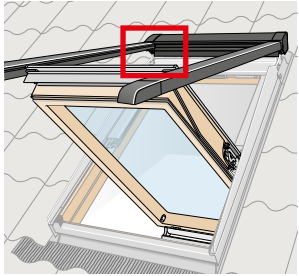
14



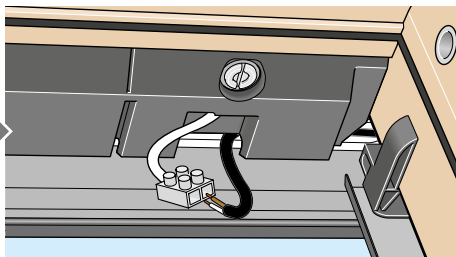
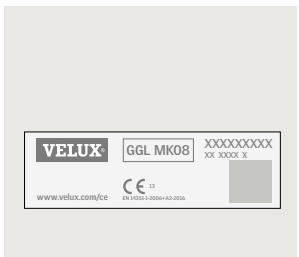
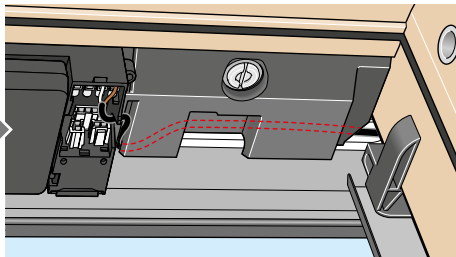
15a



GGL/GGU



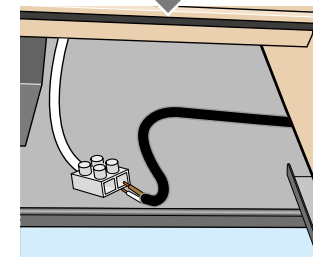
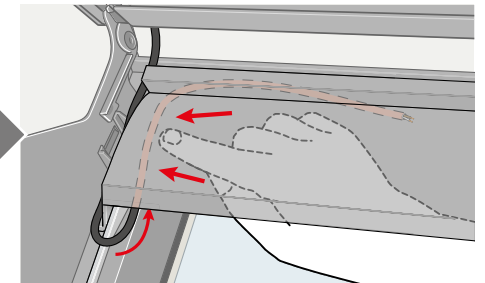
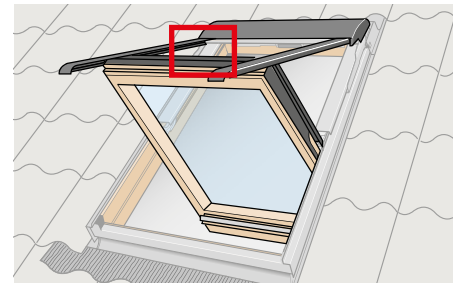
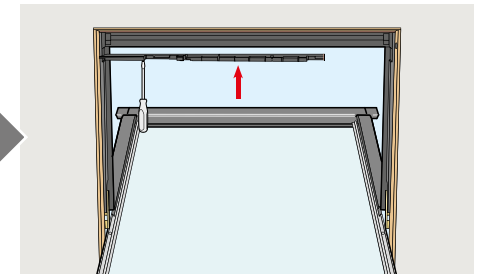
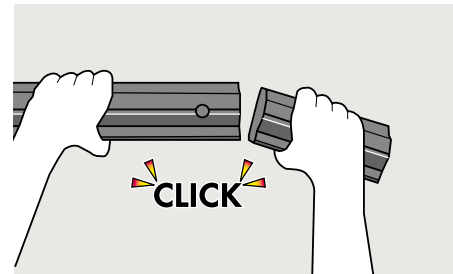
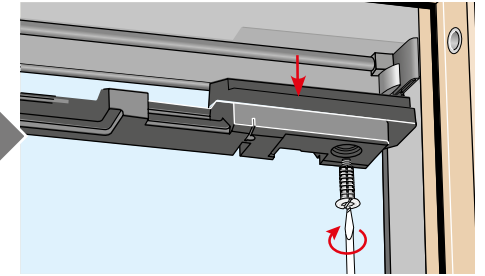
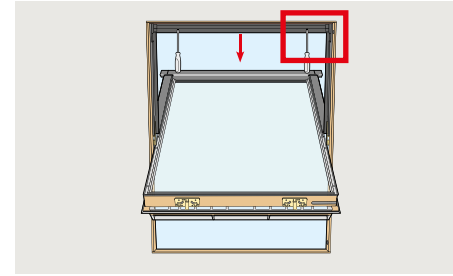
VELUX INTEGRA®

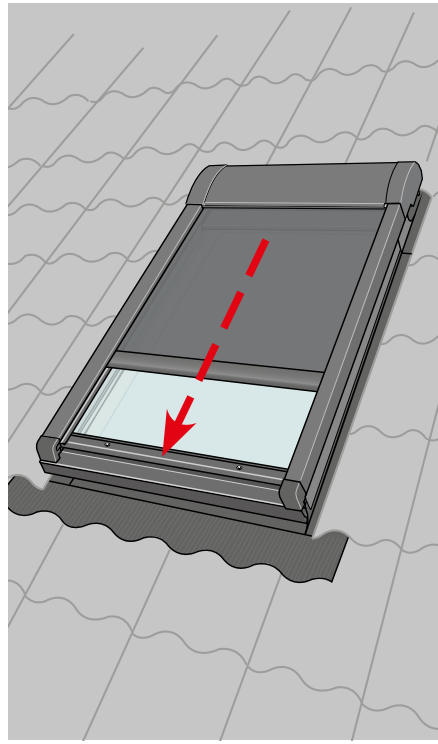
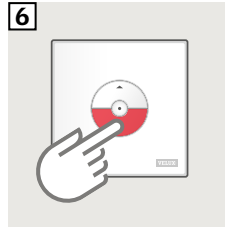
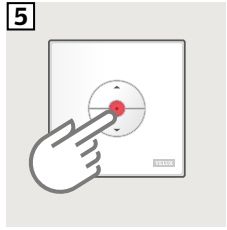
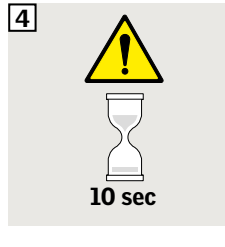
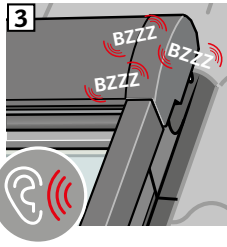
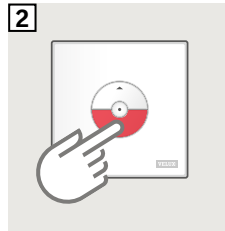
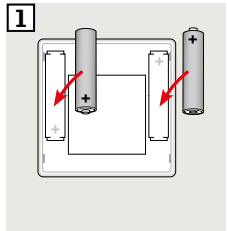
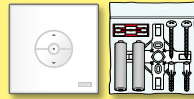


15b

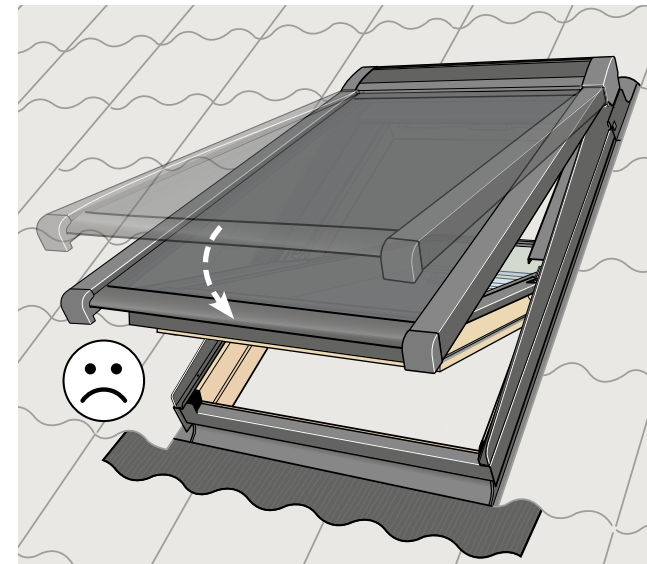
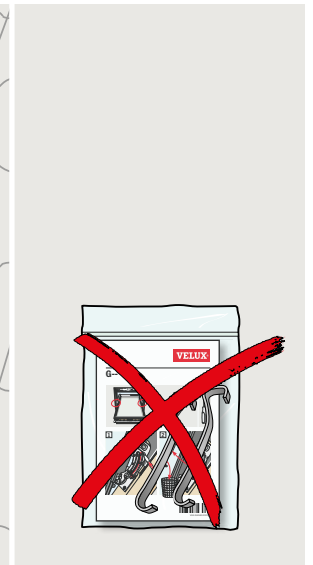
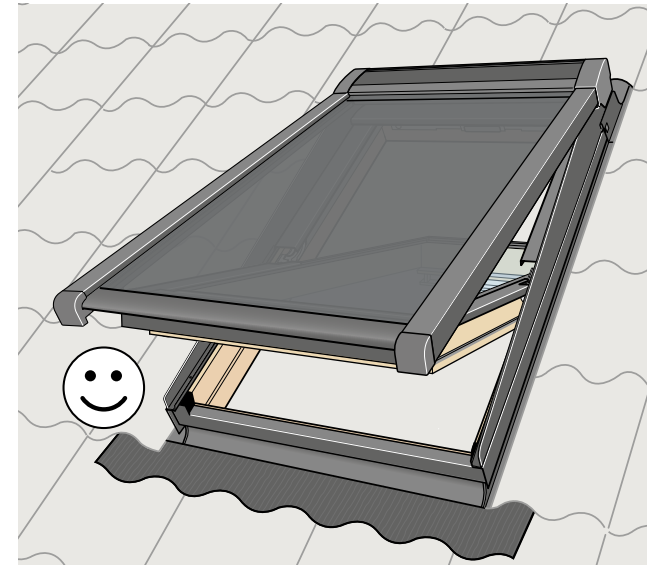


GPL/GPU

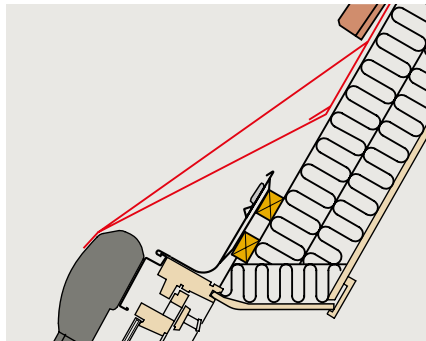
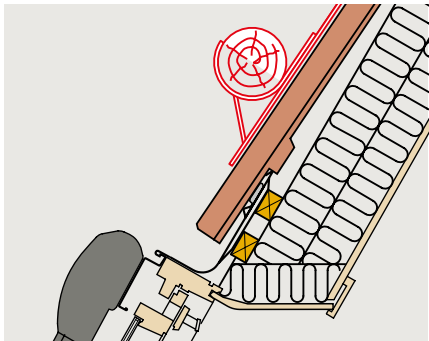
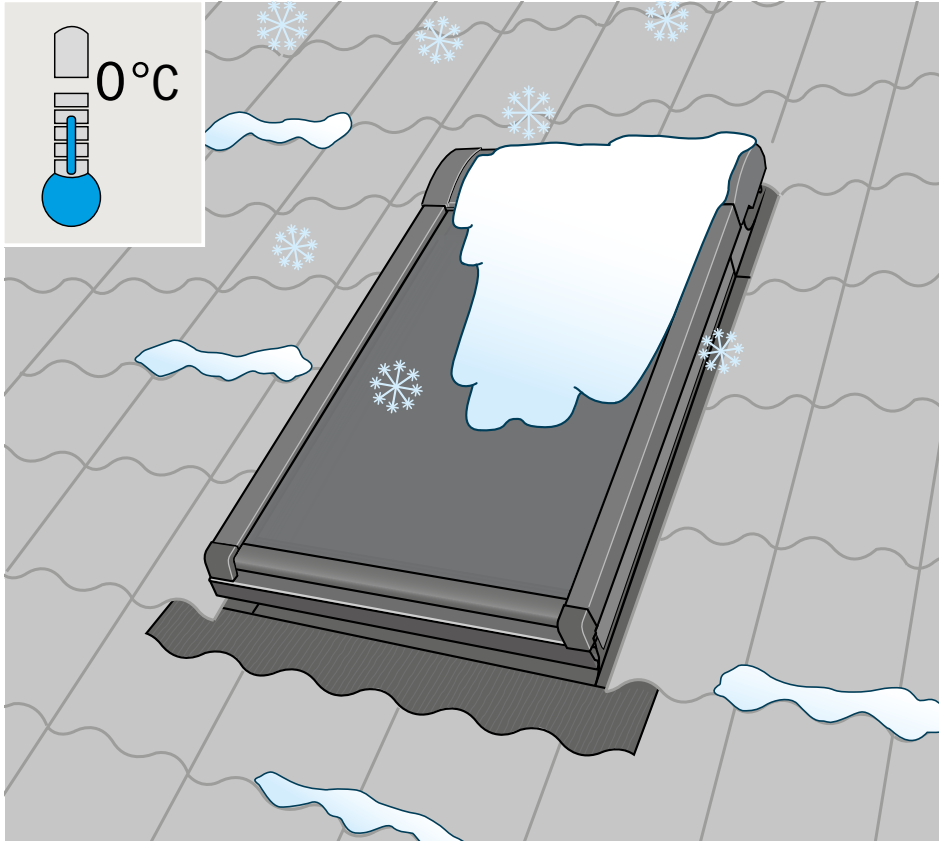




www.velux.com/integrasupport

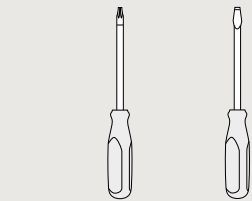


i





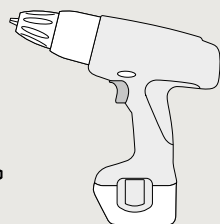
24 Vd.c.



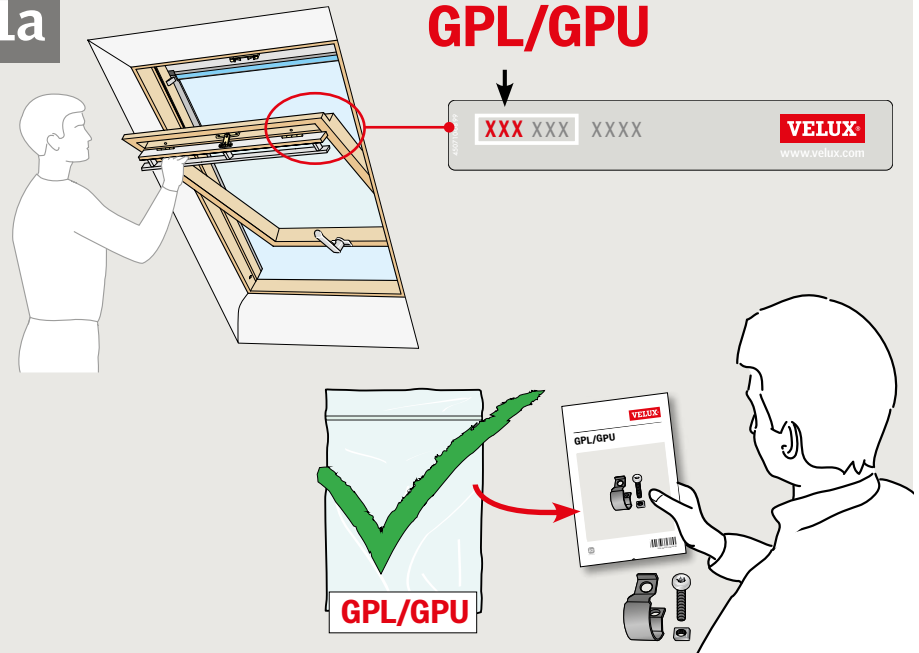
Torx 20



Ø 2 mm



1a



GPL/GPU

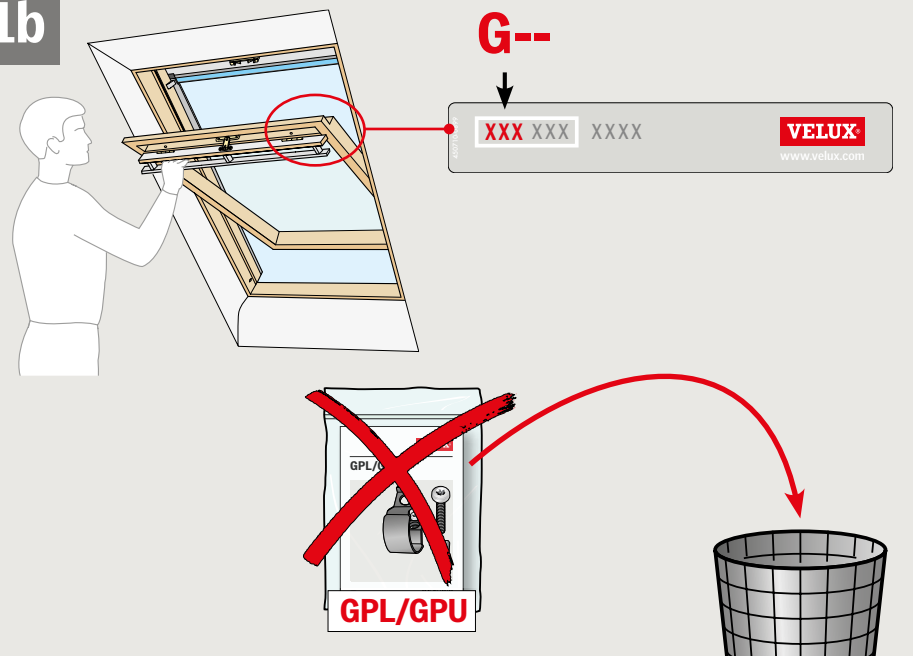
XXX XXX XXXX

VELUX

www.velux.com

GPL/GPU

1b



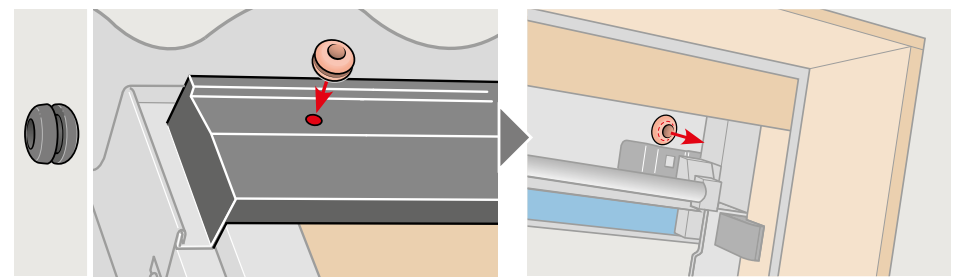
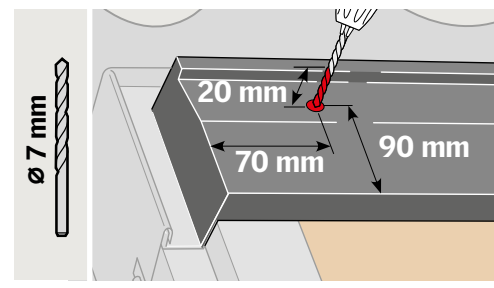
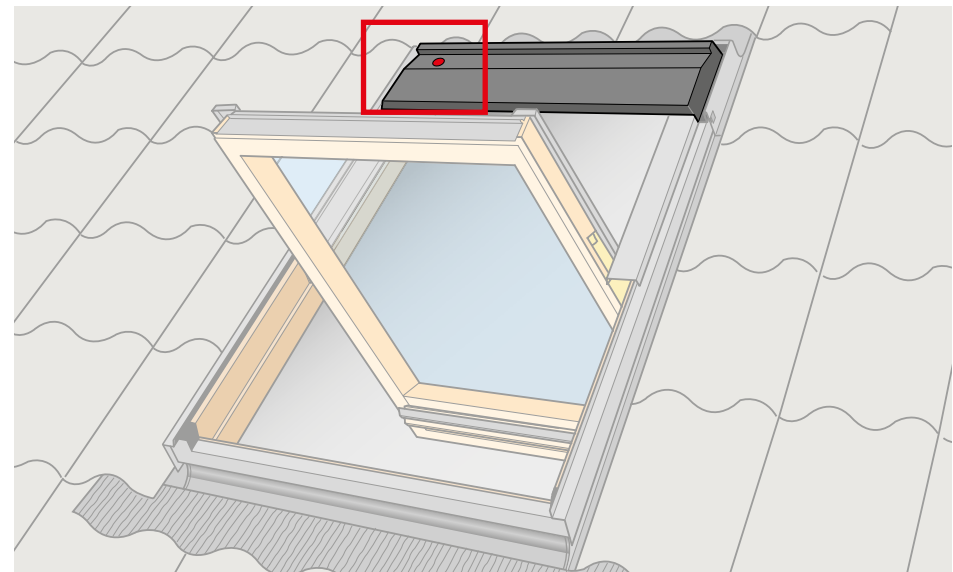
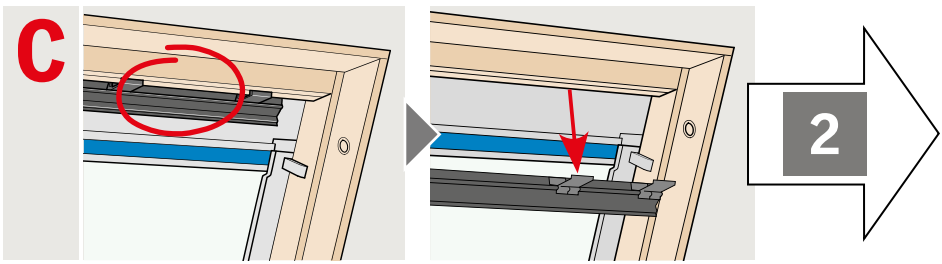
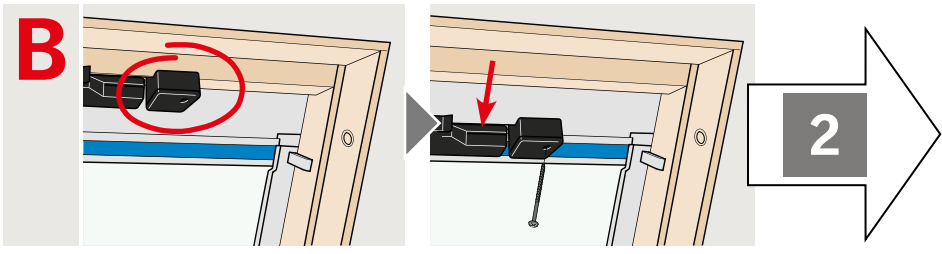
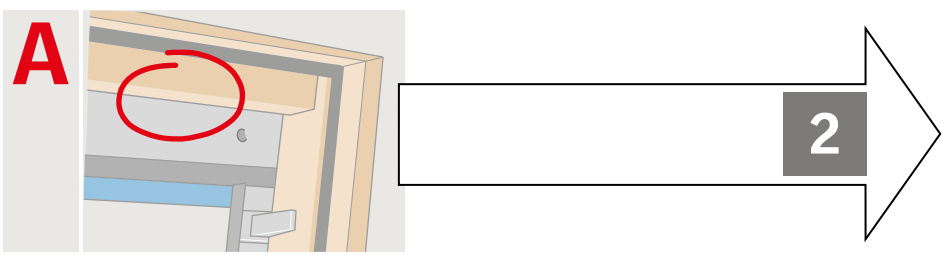
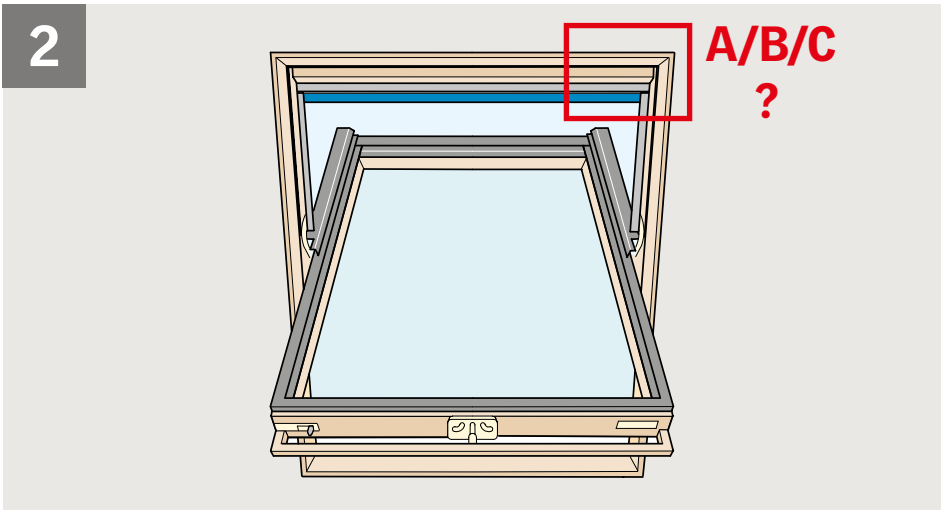
G--

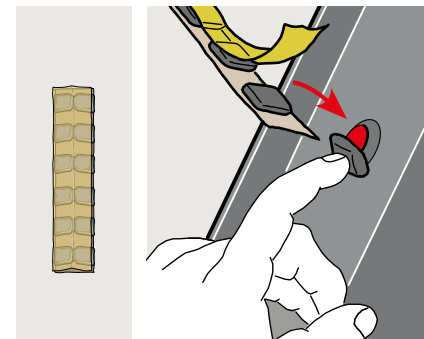
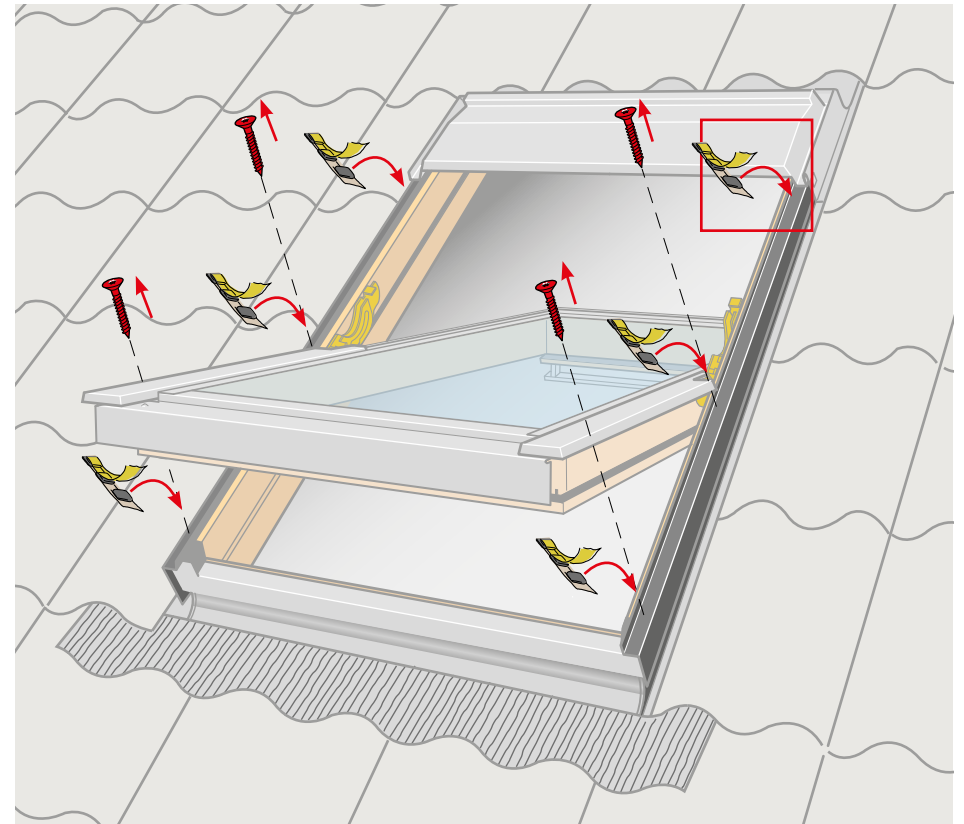
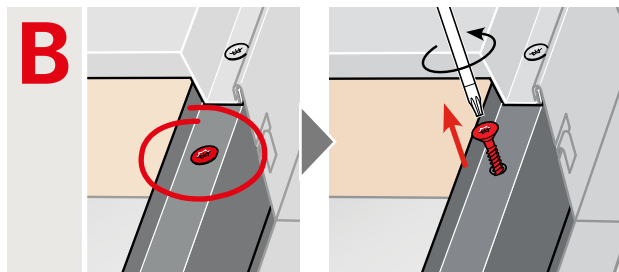
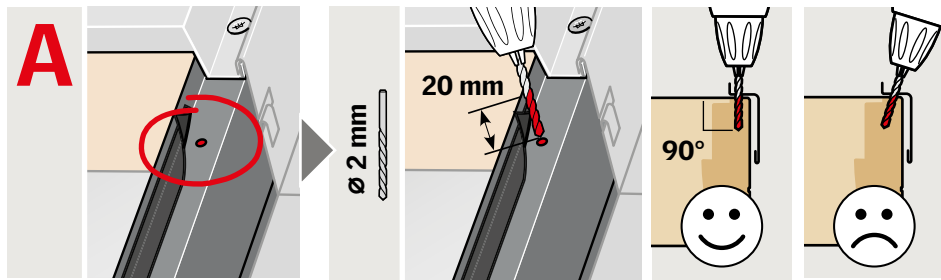
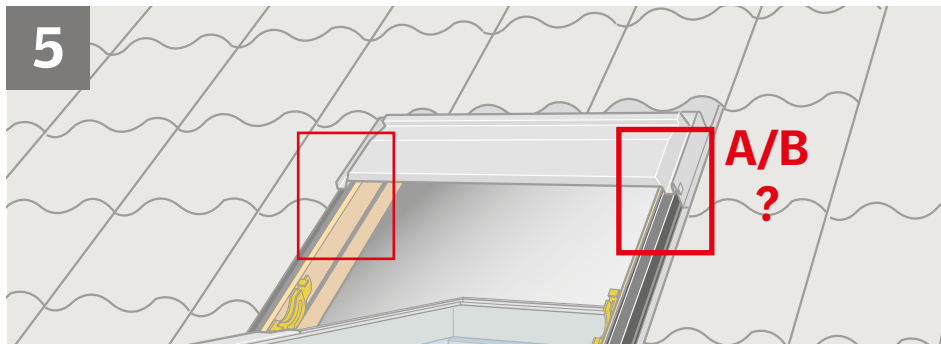
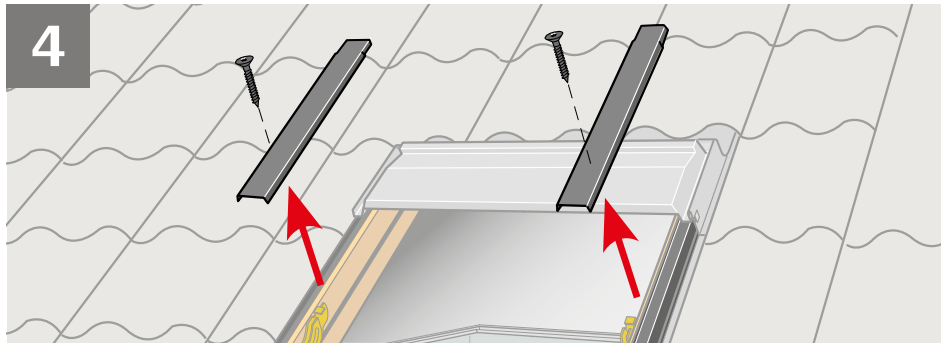
XXX XXX XXXX

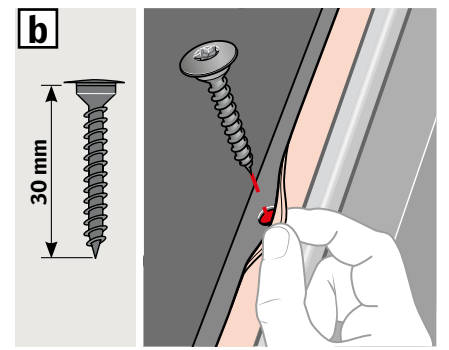
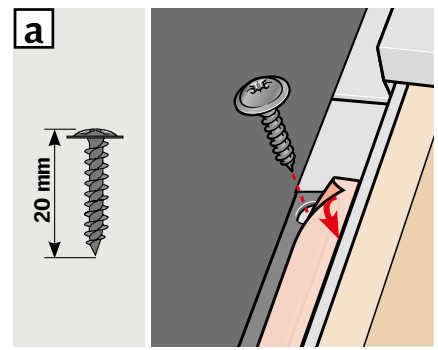
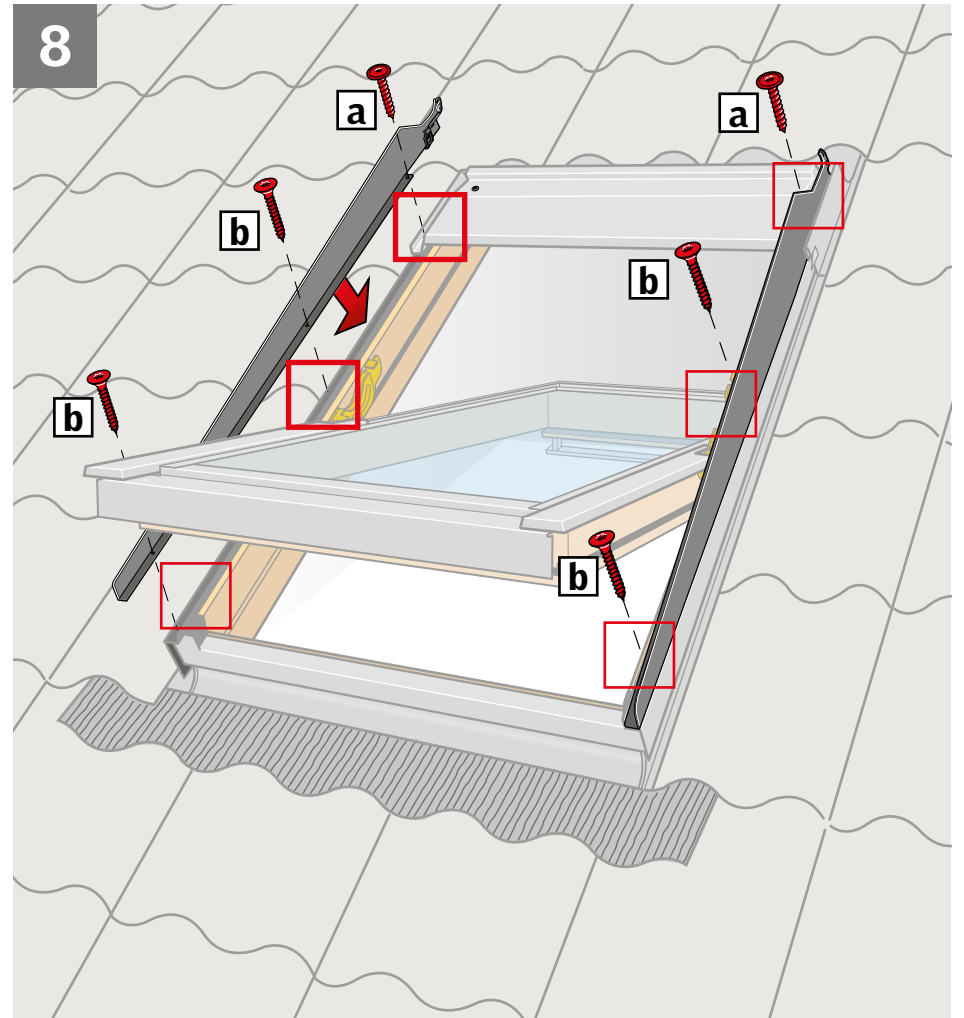
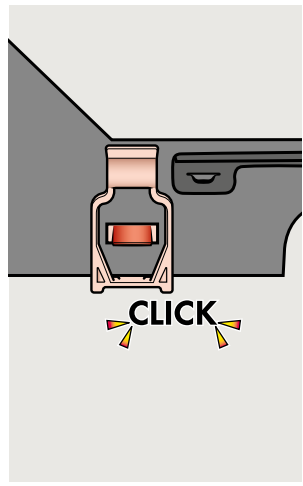
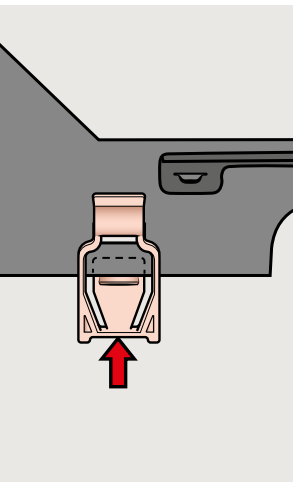
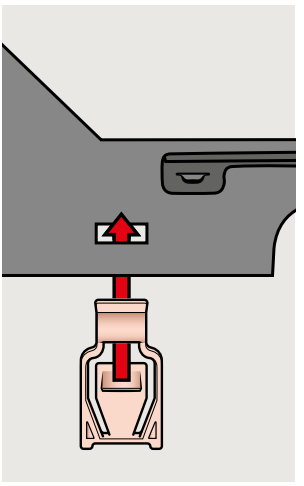
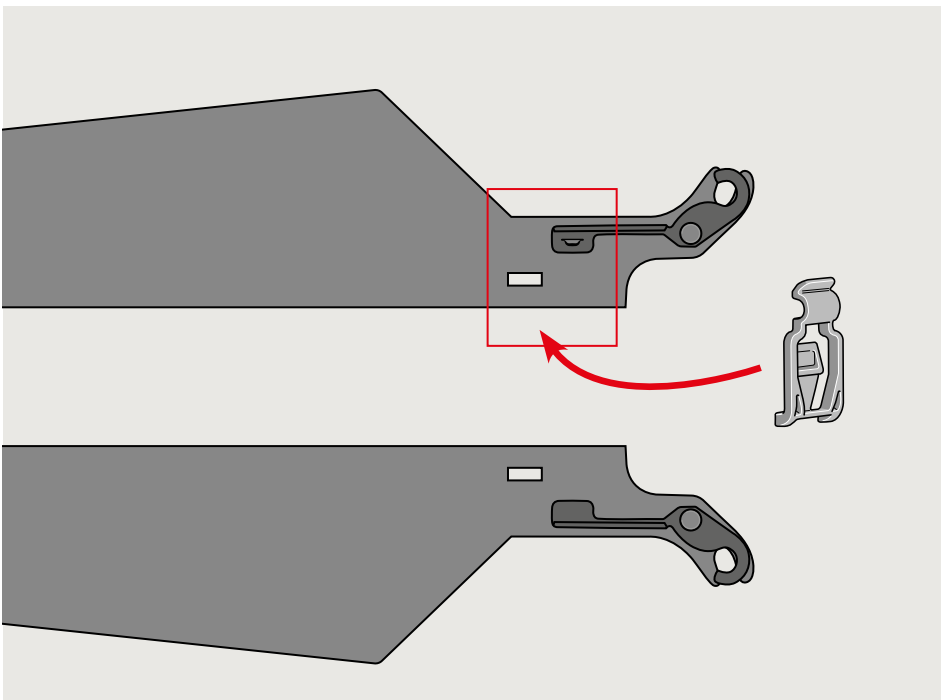
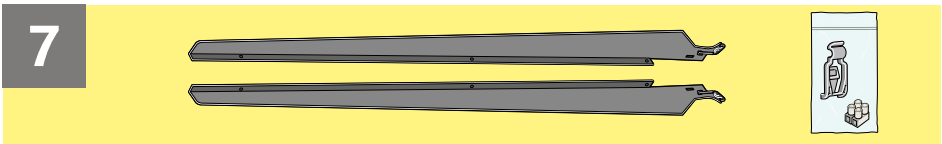
VELUX

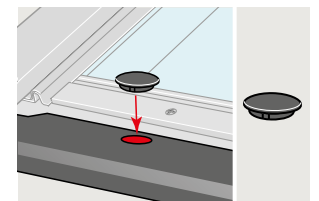
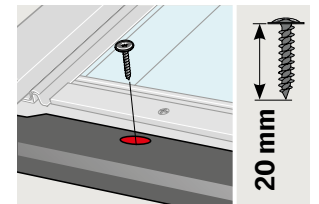
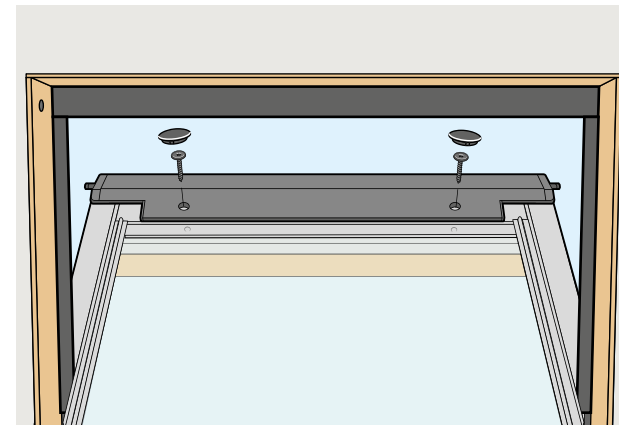
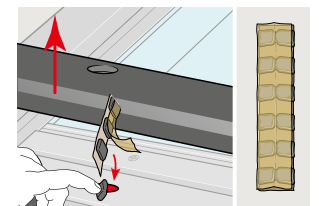
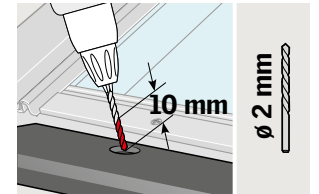
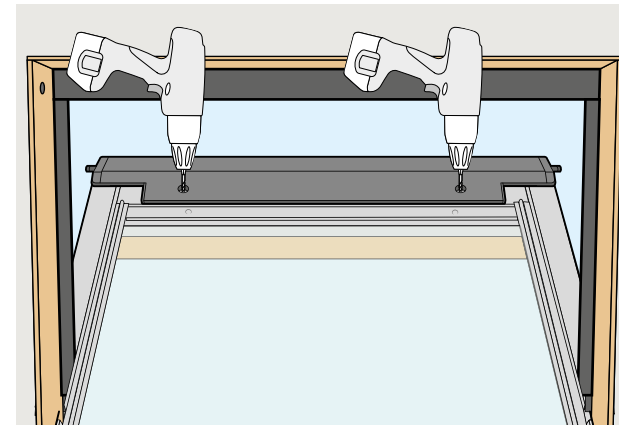
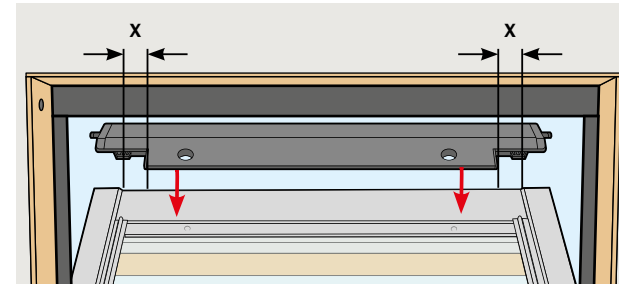
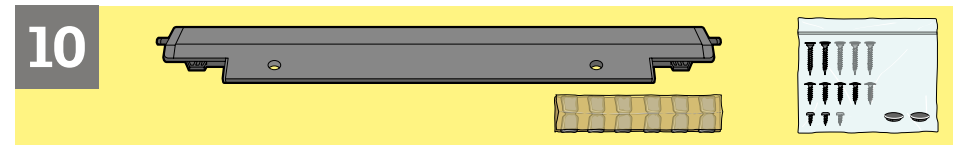
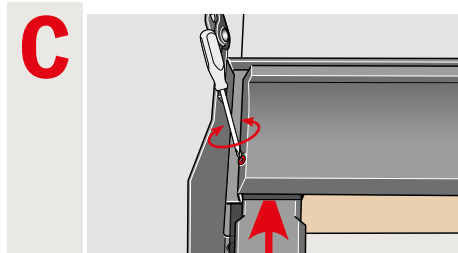
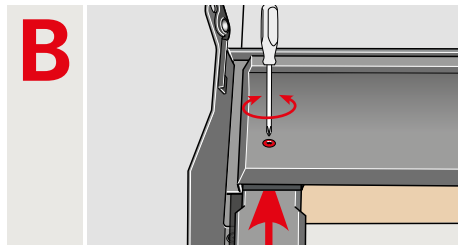
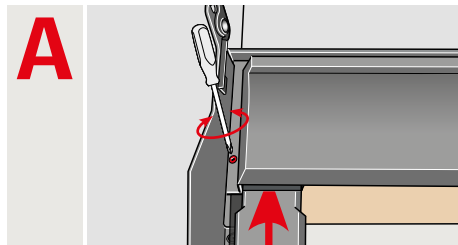
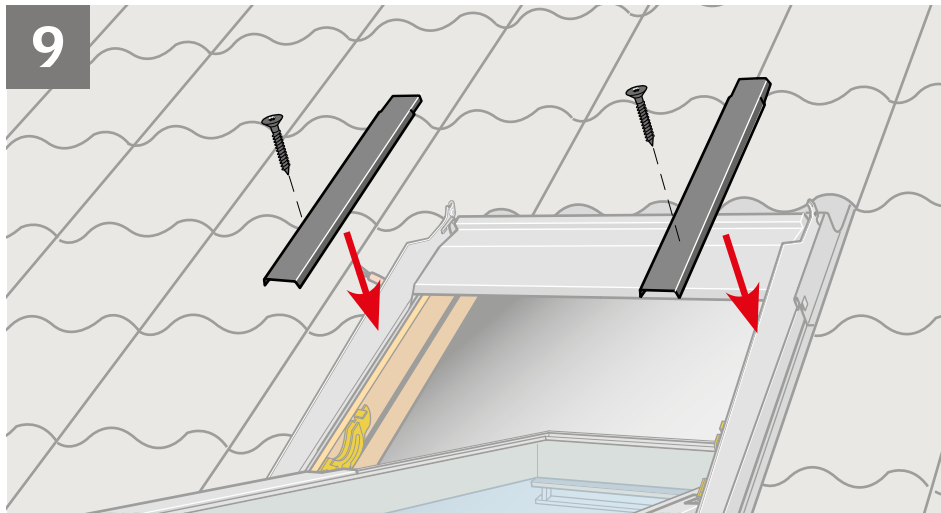
www.velux.com

GPL/GPU

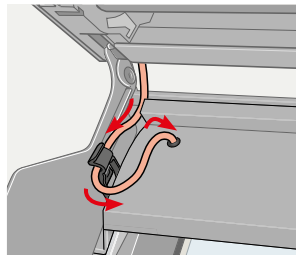
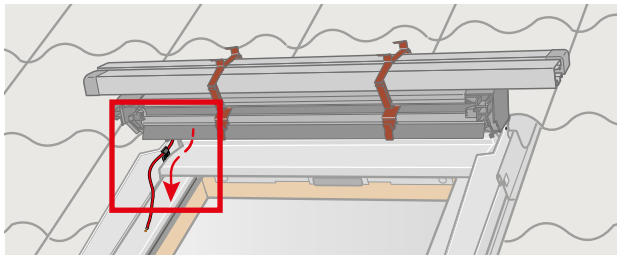
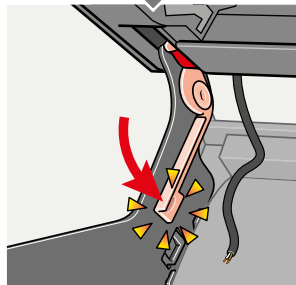
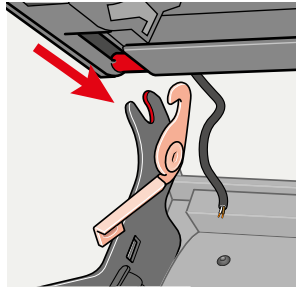
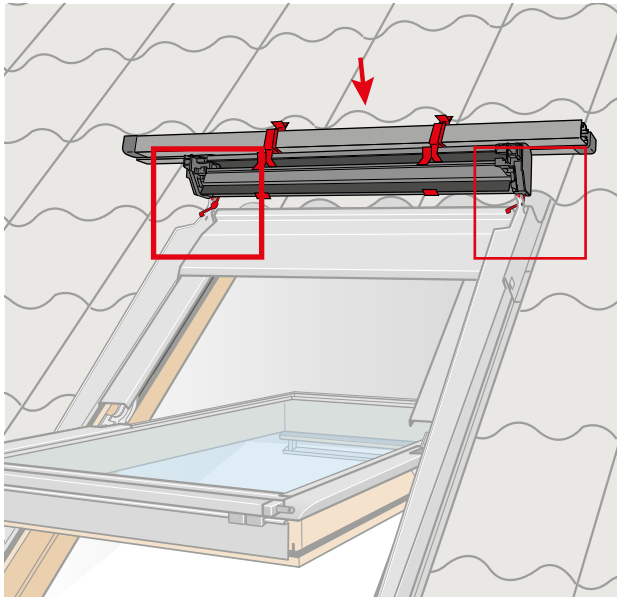
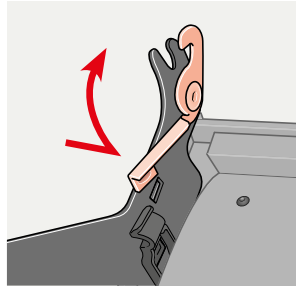
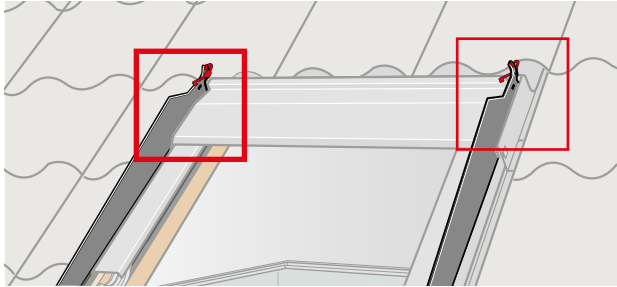
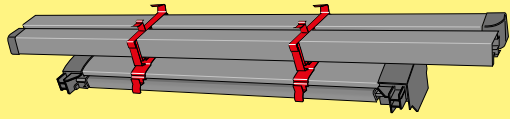




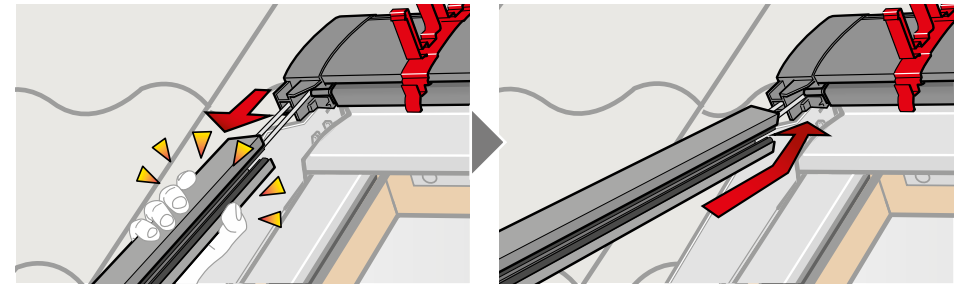
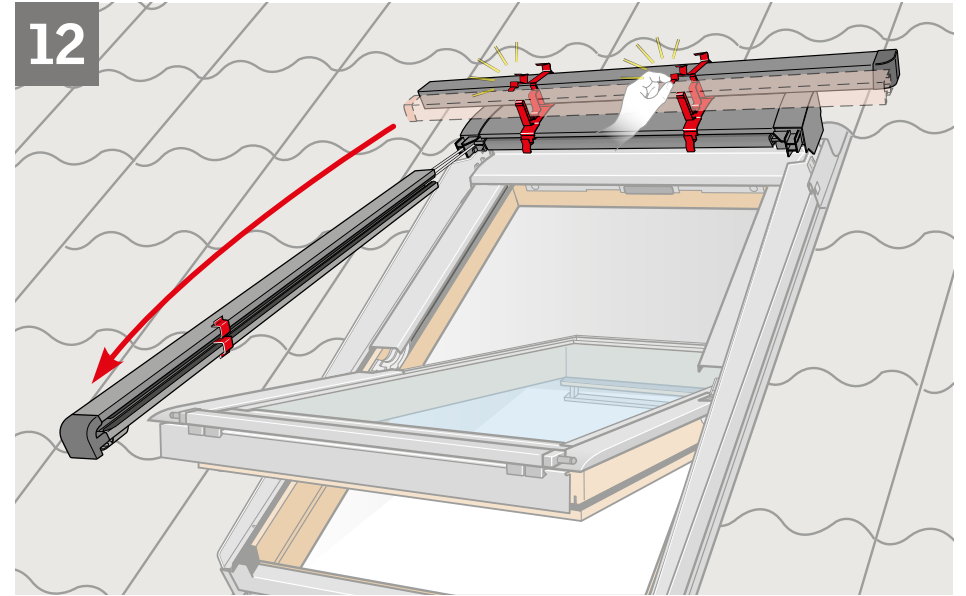




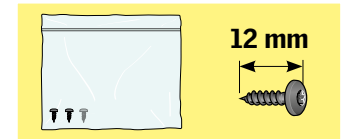
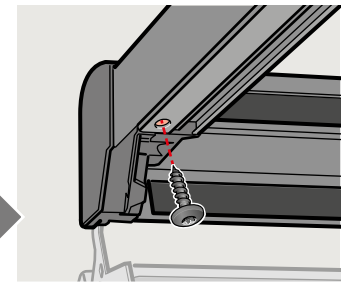
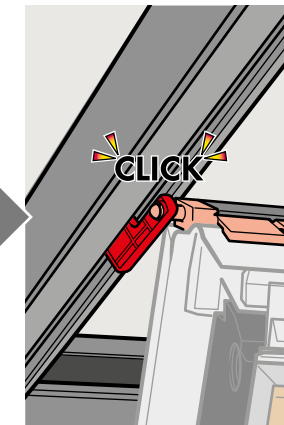
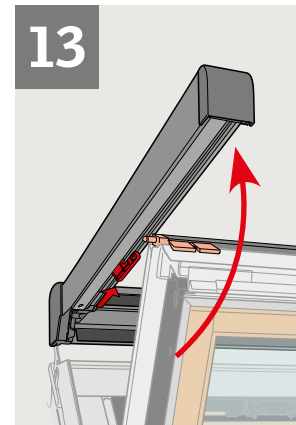
11

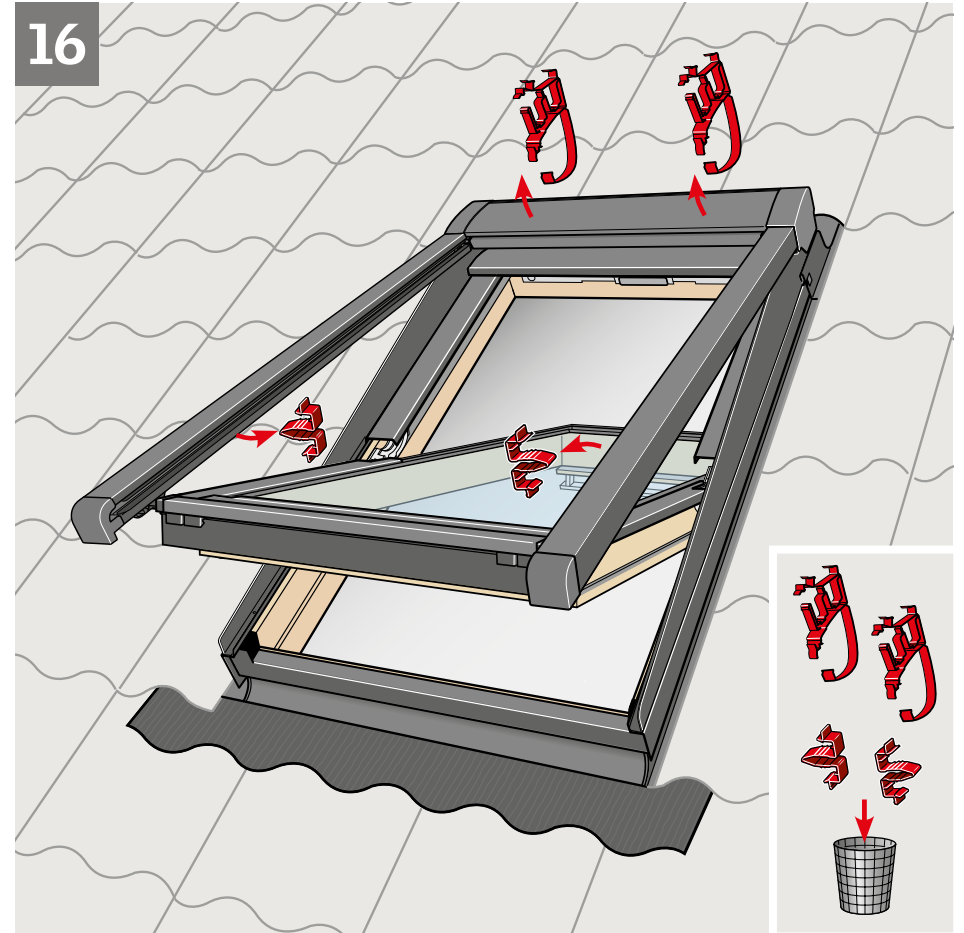
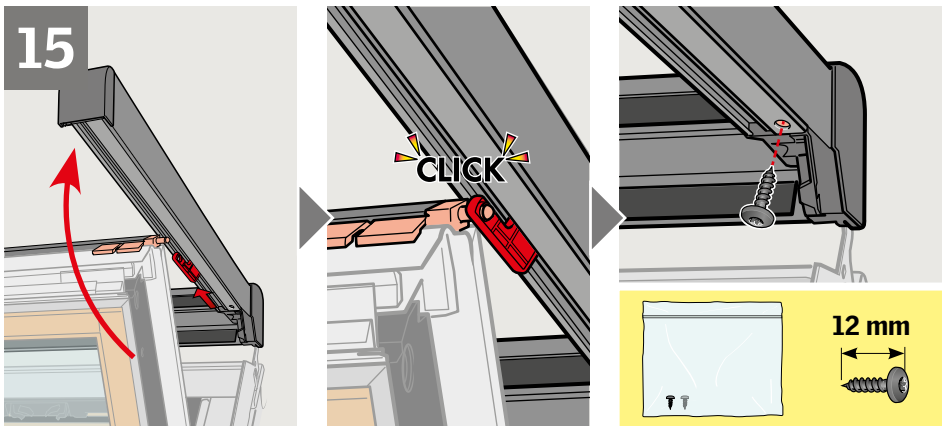
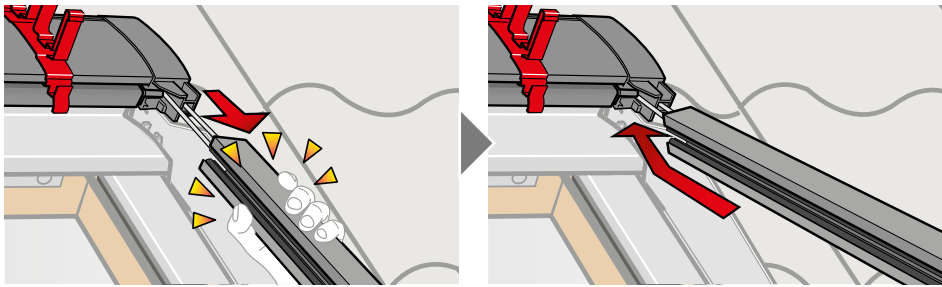
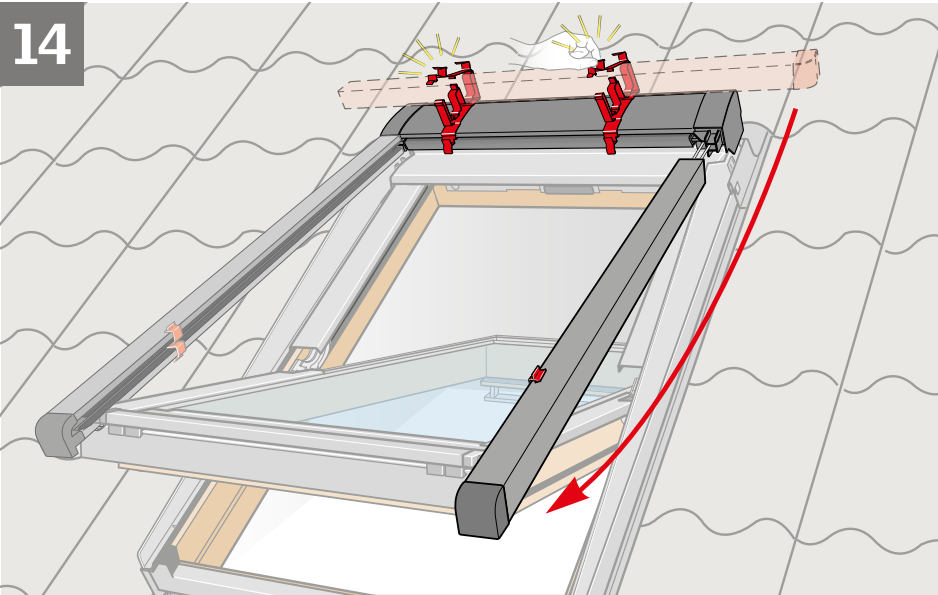


12

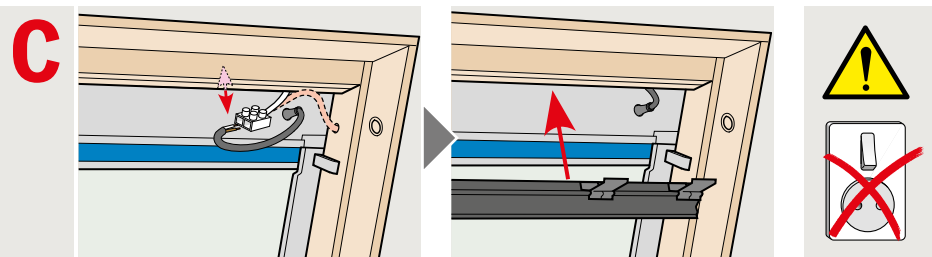
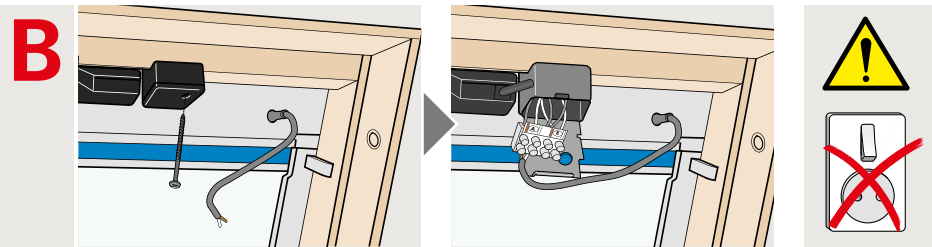
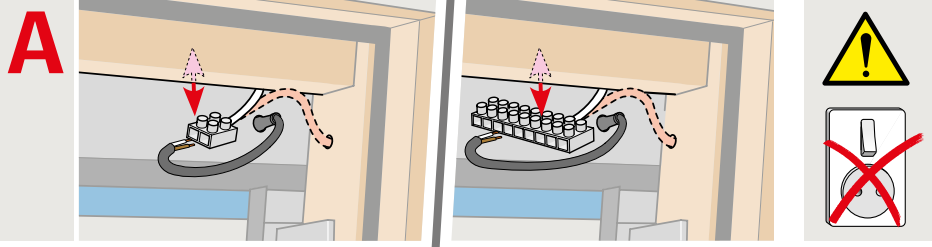
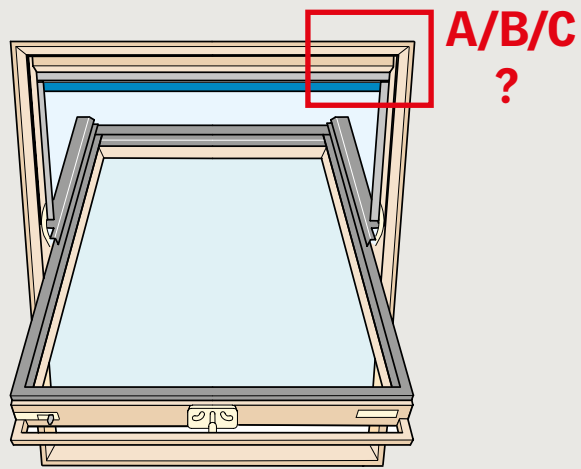


13

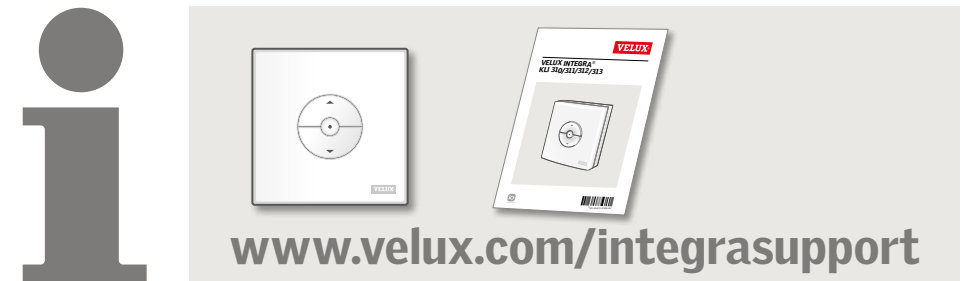
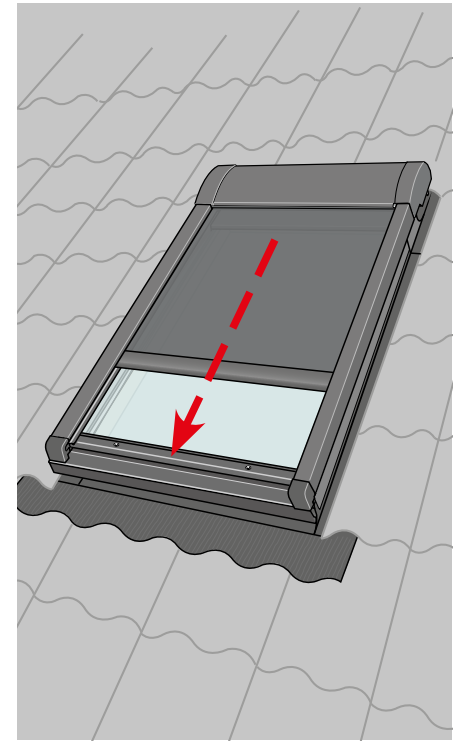
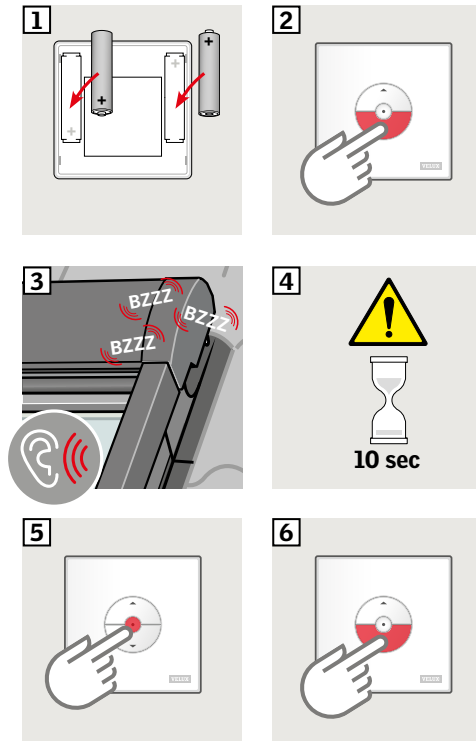
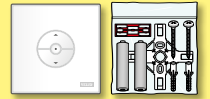




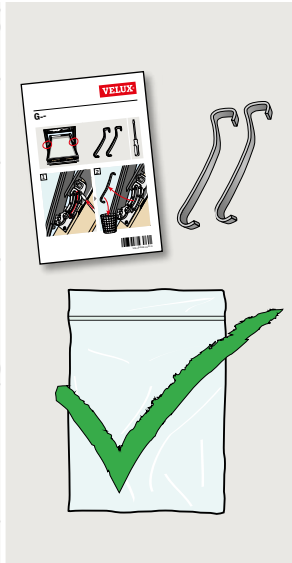
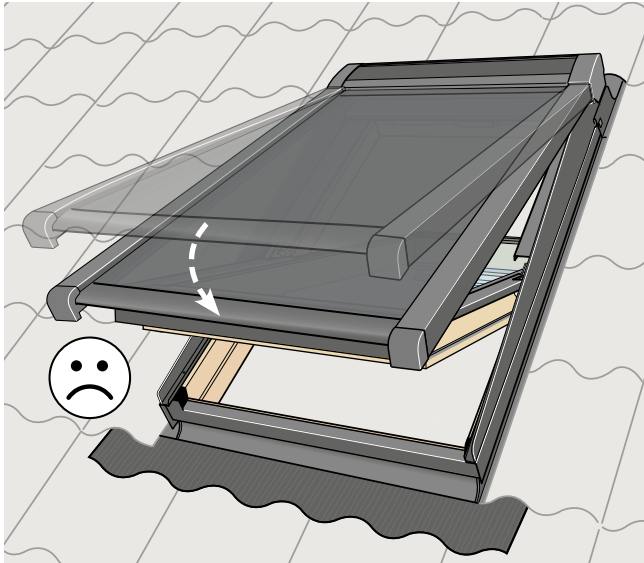
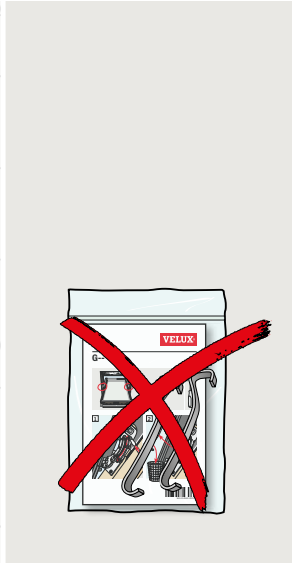
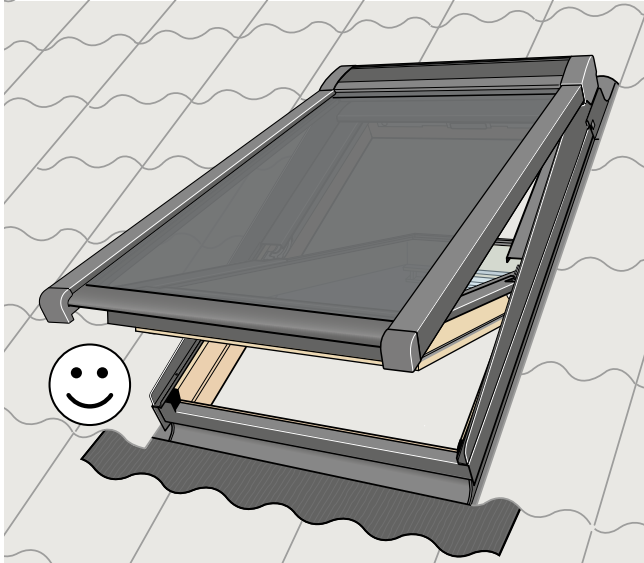
17



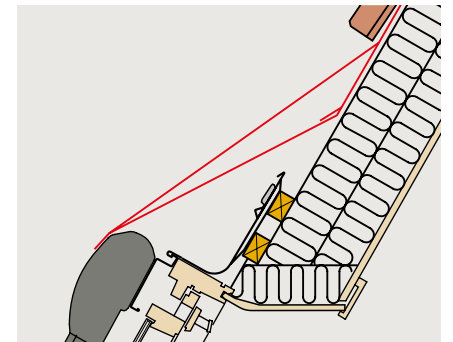
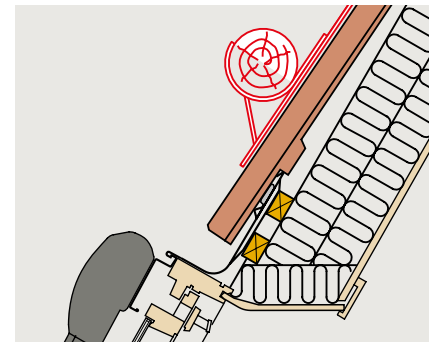
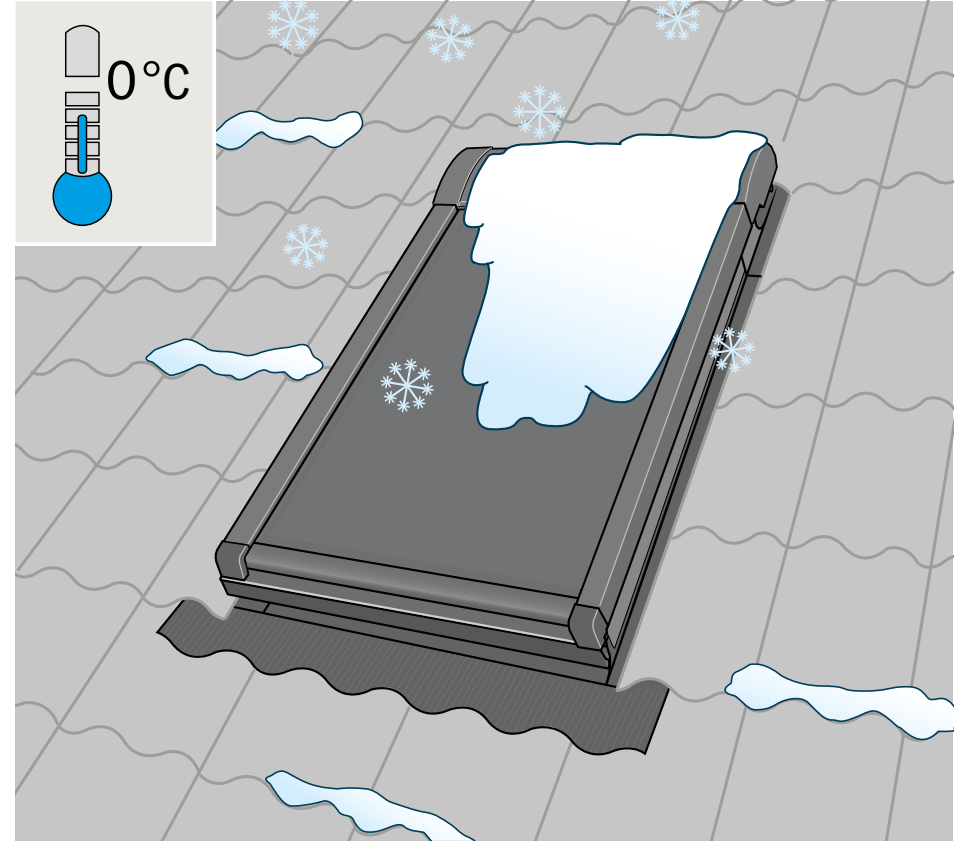
18



i



i



AR: VELUX Argentina S.A. 348 4 639944	IE: VELUX Company Ltd. 01 848 8775
AT: VELUX Österreich GmbH 02245/32 3 50	IT: VELUX Italia s.p.a. 045/6173666
AU: VELUX Australia Pty. Ltd. 1300 859 856	JP: VELUX-Japan Ltd. 0570-00-8141
BA: VELUX Bosna i Hercegovina d.o.o. 033/626 493, 626 494	KR: VELUX International (VELUX A/S) +45 7632 9240
BE: VELUX Belgium (010) 42.09.09	LT: VELUX Lietuva, UAB (85) 270 91 01
BG: ВЕЛУКС България ЕООД 02/955 99 30	LV: VELUX Latvia SIA 67 27 77 33
BY: Унитарное предприятие "ВЕЛЮКС Мансардные Окна" (017) 329 20 89	NL: VELUX Nederland B.V. 030 - 6 629 629
CA: VELUX Canada Inc. 1 800 88-VELUX (888-3589)	NO: VELUX Norge AS 22 51 06 00
CH: VELUX Schweiz AG 062 289 44 45	NZ: VELUX New Zealand Ltd. 0800 650 445
CL: VELUX Chile SpA 2 953 6789	PL: VELUX Polska Sp. z o.o. (022) 33 77 000 / 33 77 070
CN: VELUX (CHINA) CO. LTD. 0316-607 27 27	PT: VELUX Portugal, Lda 21 880 00 60
CZ: VELUX Česká republika, s.r.o. 531 015 511	RO: VELUX România S.R.L. 0268-402740
DE: VELUX Deutschland GmbH 040 / 54 70 70	RS: VELUX Srbija d.o.o. 011 20 57 500
DK: VELUX Danmark A/S 45 16 45 16	RU: ЗАО ВЕЛЮКС (495) 640 87 20
EE: VELUX Eesti OÜ 621 7790	SE: VELUX Svenska AB 042/20 83 80
ES: VELUX Spain, S.A.U. 91 509 71 00	SI: VELUX Slovenija d.o.o. 01 724 68 68
FI: VELUX Suomi Oy 0207 290 800	SK: VELUX Slovensko, s.r.o. (02) 33 000 555
FR: VELUX France 0806 80 15 15 Service gratuit + prix appel	TR: VELUX Çatı Pencereleri Ticaret Limited Şirketi 0 216 302 54 10
GB: VELUX Company Ltd. 01592 778 225	UA: ТОВ "ВЕЛЮКС Україна" (044) 2916070
HR: VELUX Hrvatska d.o.o. 01/5555 444	US: VELUX America LLC 1-800-88-VELUX
HU: VELUX Magyarország Kft. (06/1) 436-0601	