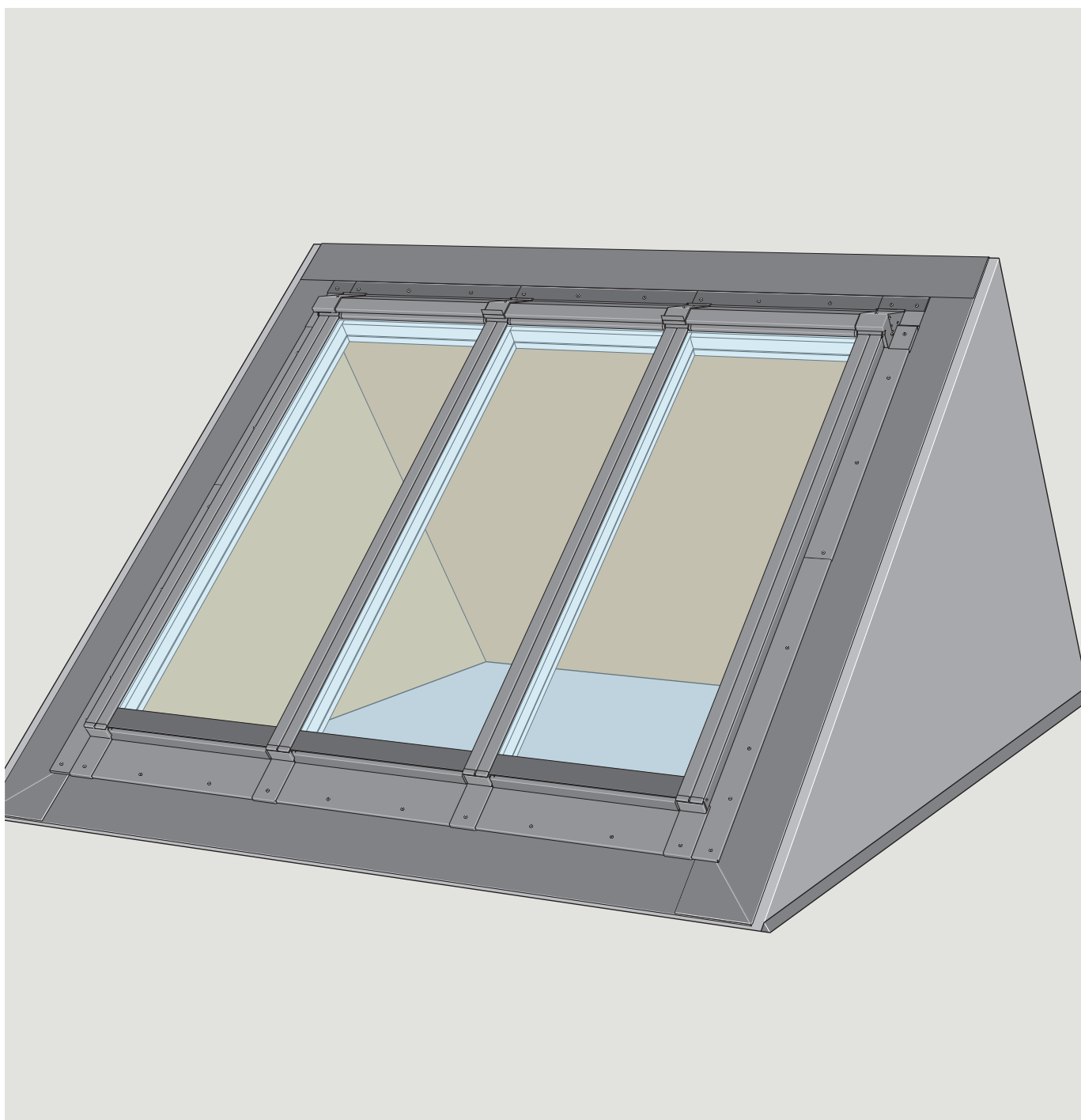
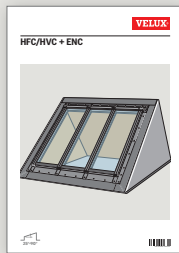


HFC/HVC + ENC



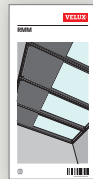
A1-N



HFC/HVC + ENC

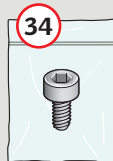
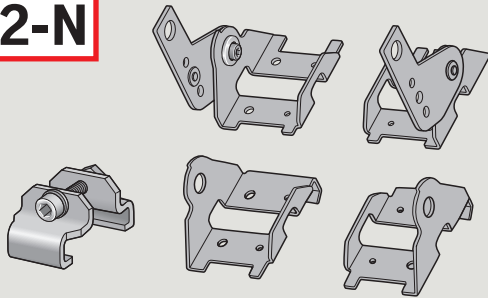


HVC CE all

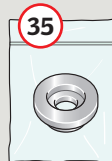


RMM

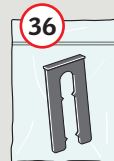
A2-N



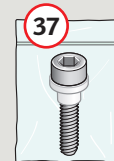
M8 x 10 mm



M8

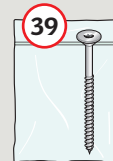


36



37

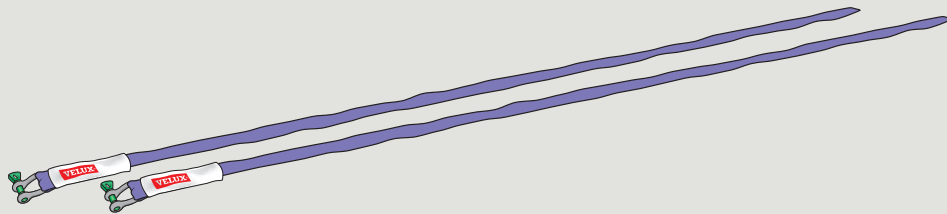
M8 x 30 mm



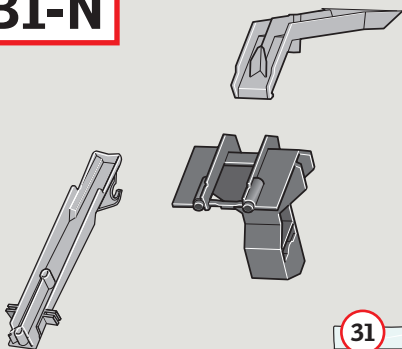
39

5 x 70 mm

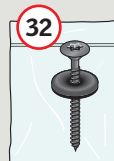
A3-N



B1-N

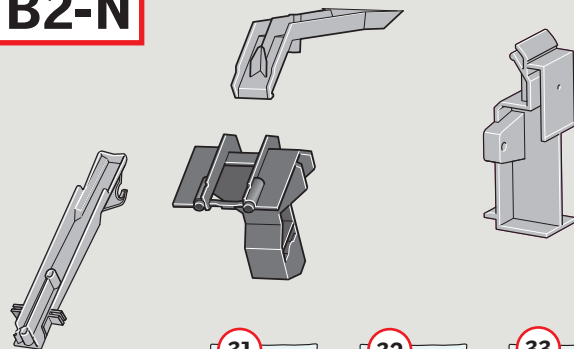


5,5 x 27 mm



4 x 45 mm

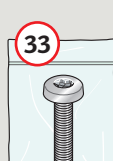
B2-N



5,5 x 27 mm

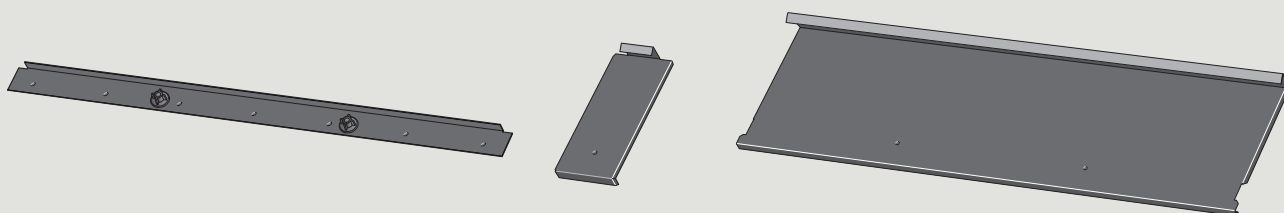


4 x 45 mm

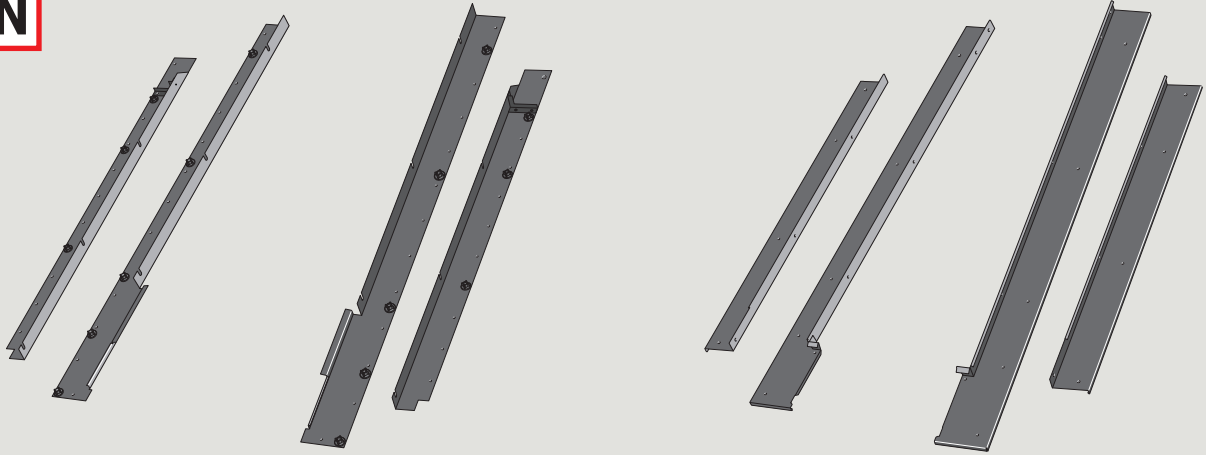


M4 x 25 mm

C1-N



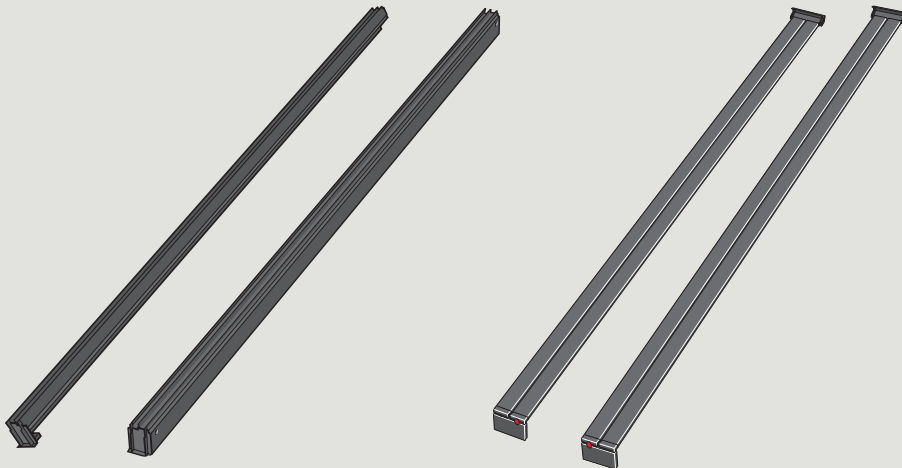
C3-N



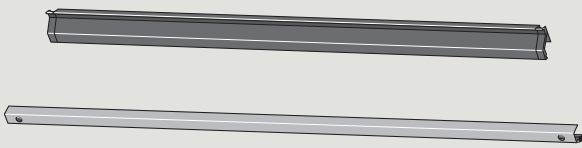
D1-N



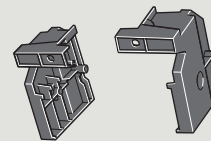
D2-N



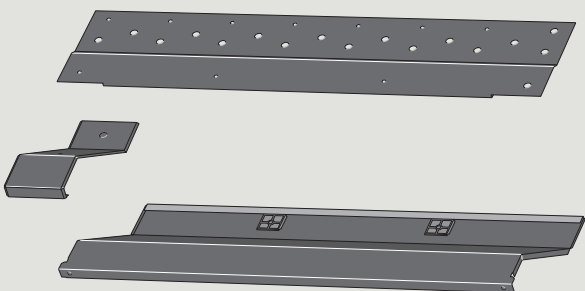
D3-N



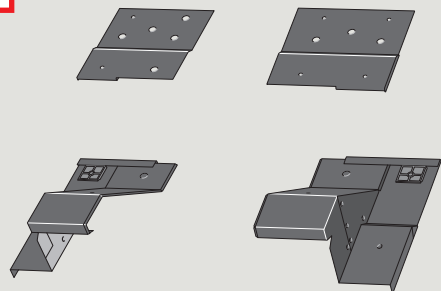
D4-N

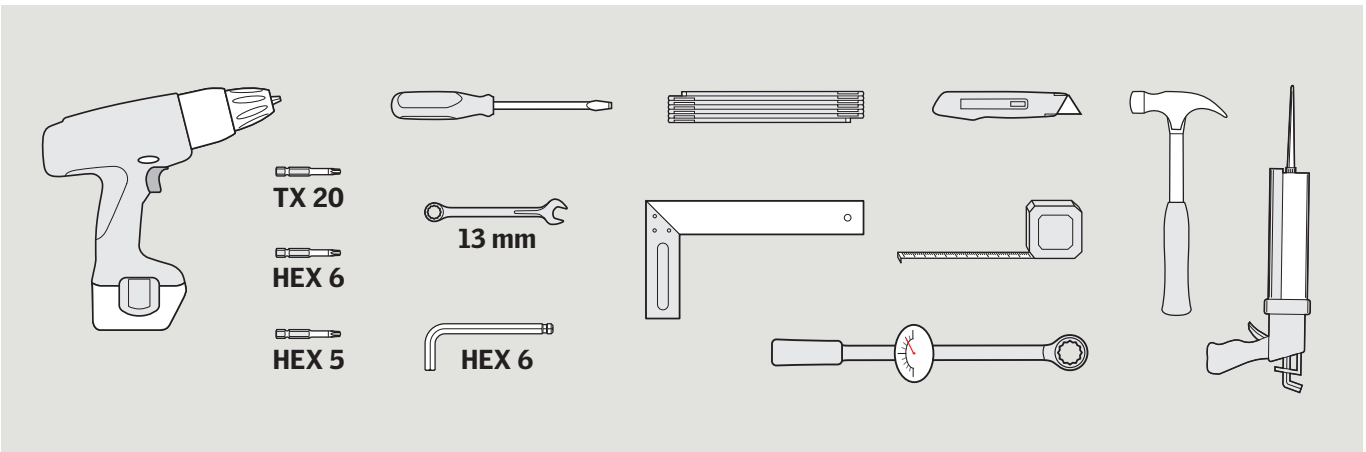
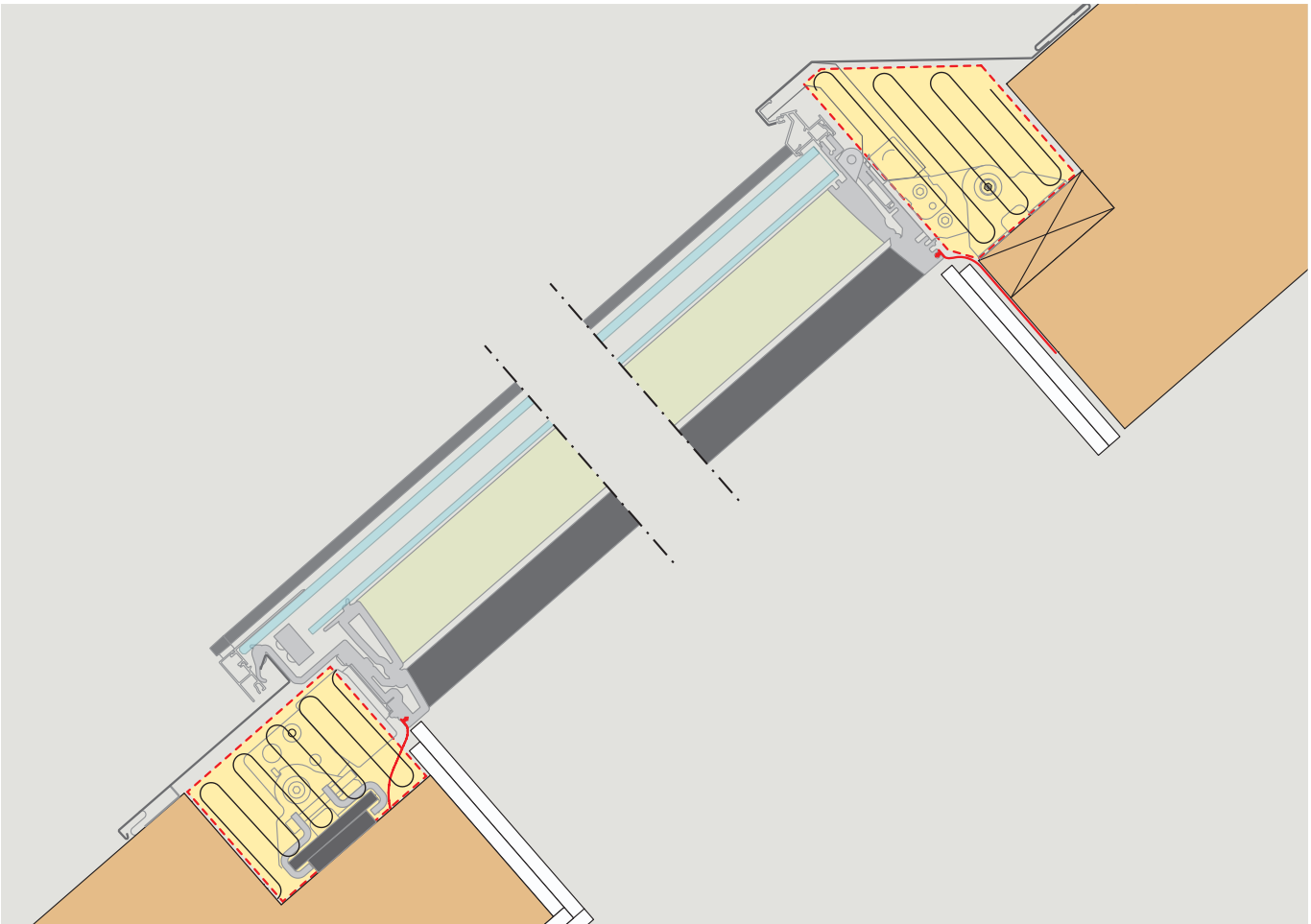
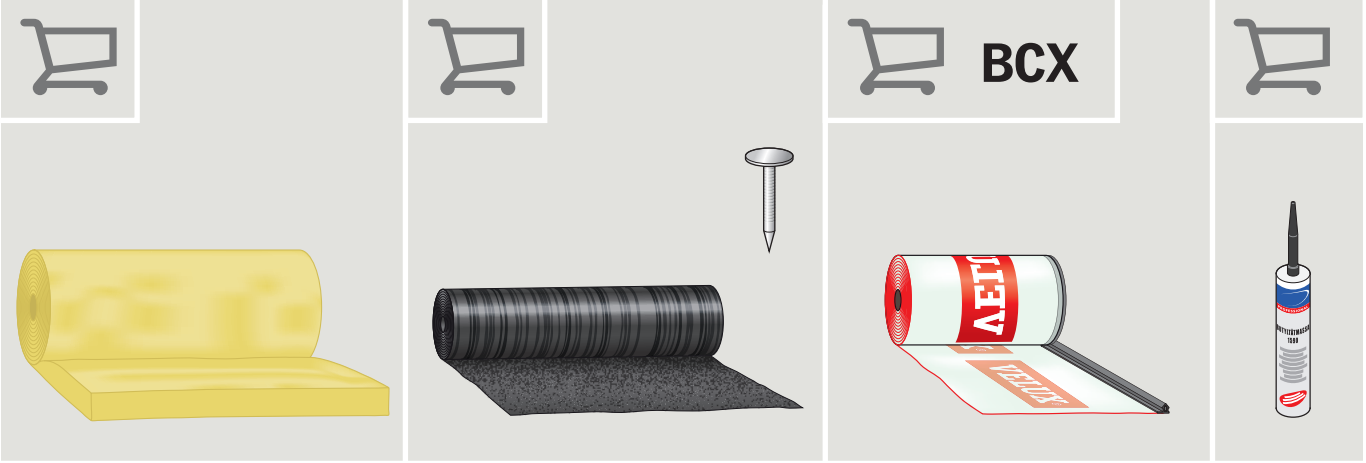


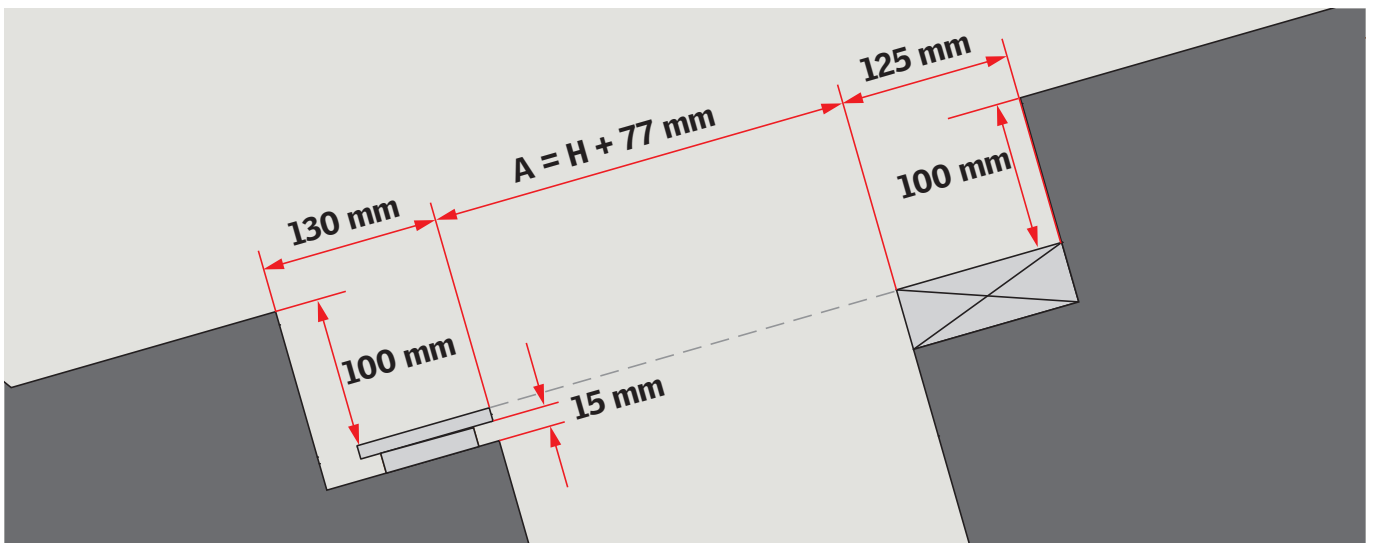
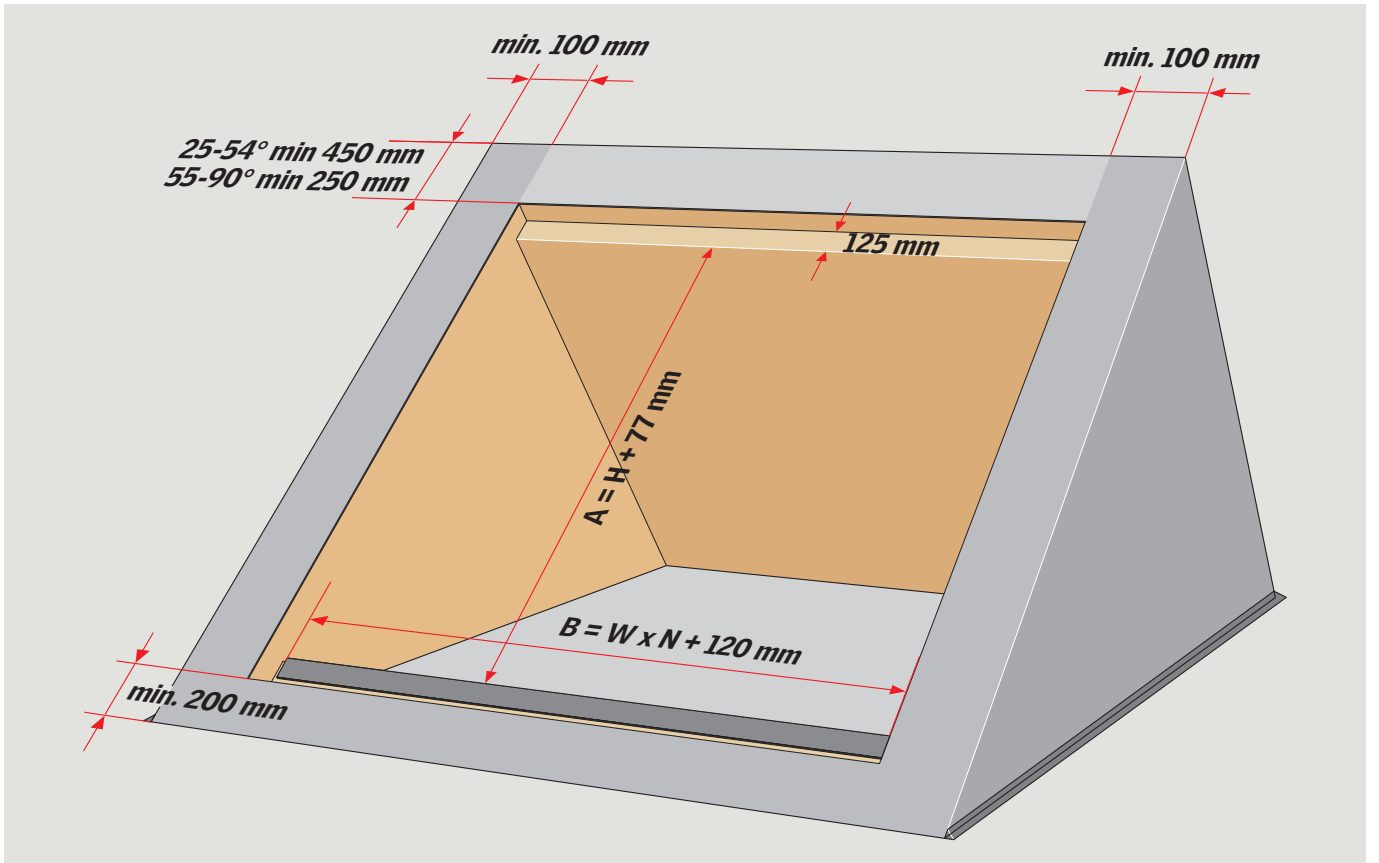
E1-N



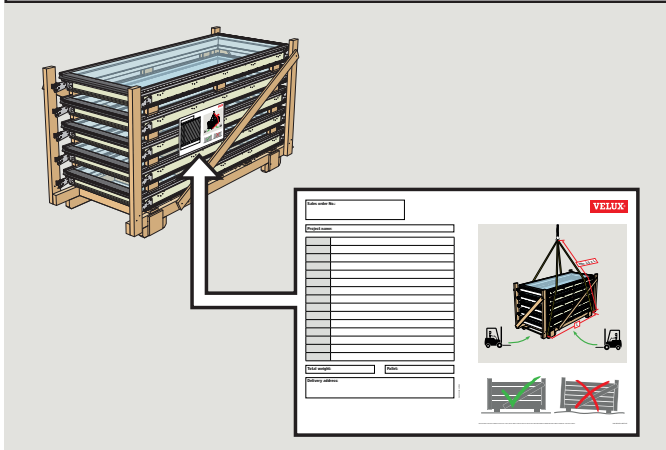
E2-N







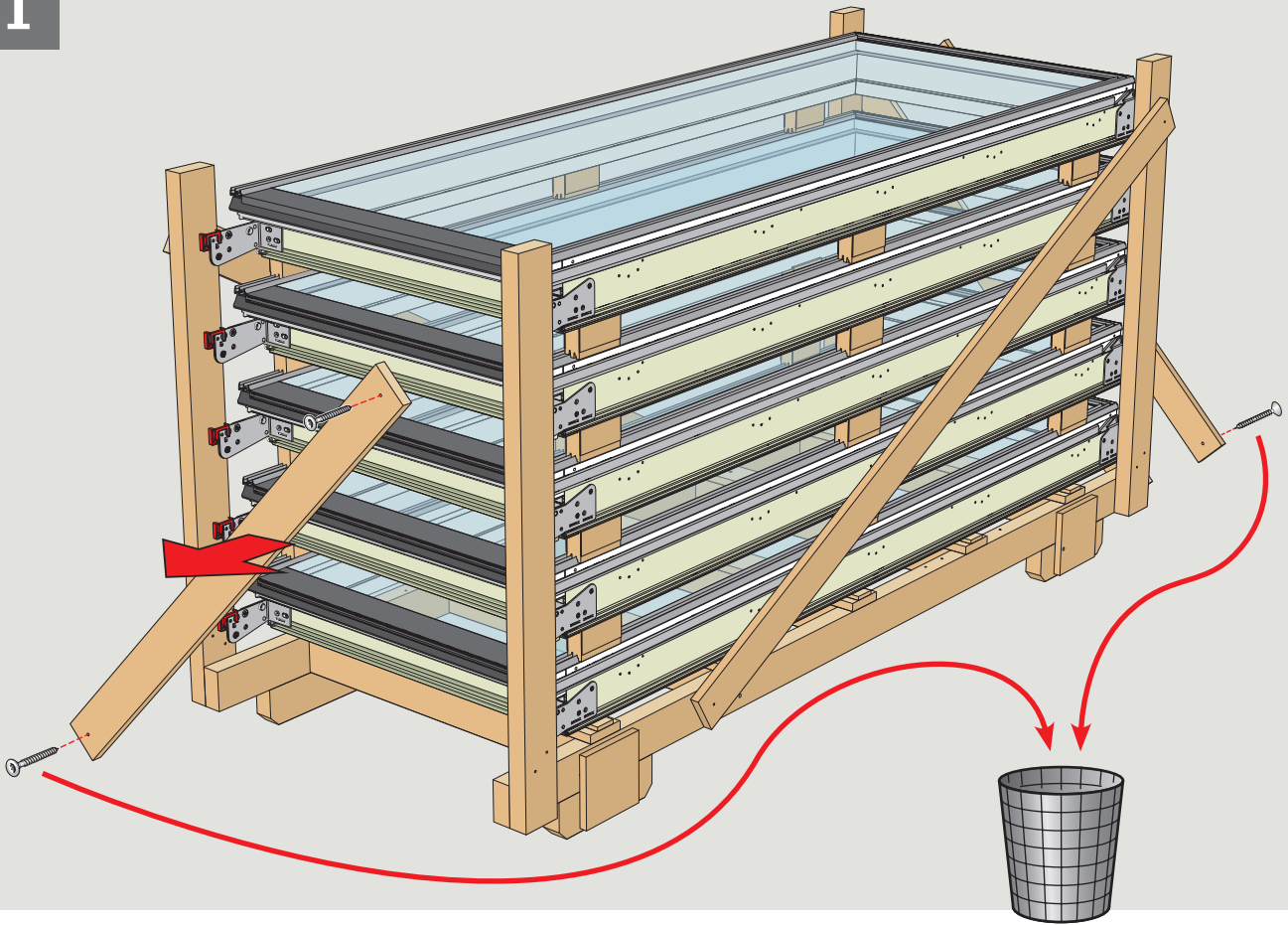
W mm / H mm / N



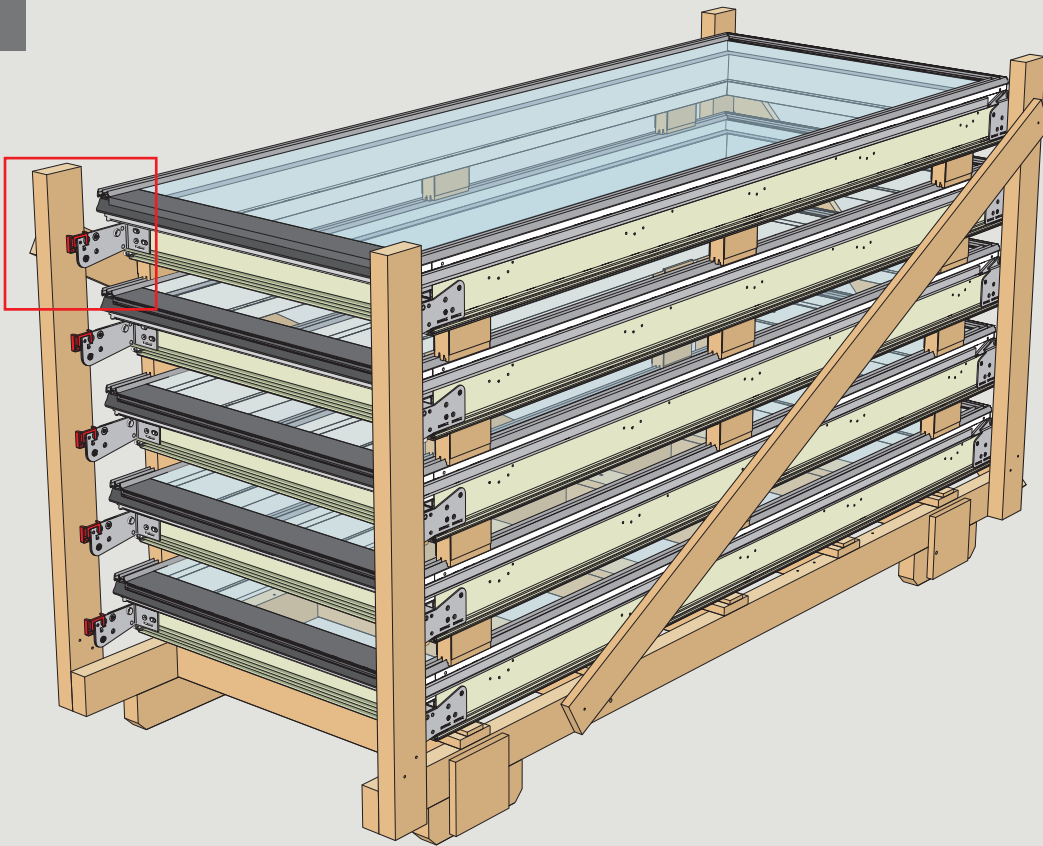
A mm / B mm



1

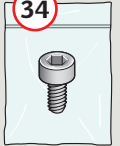


2



A2-N

34

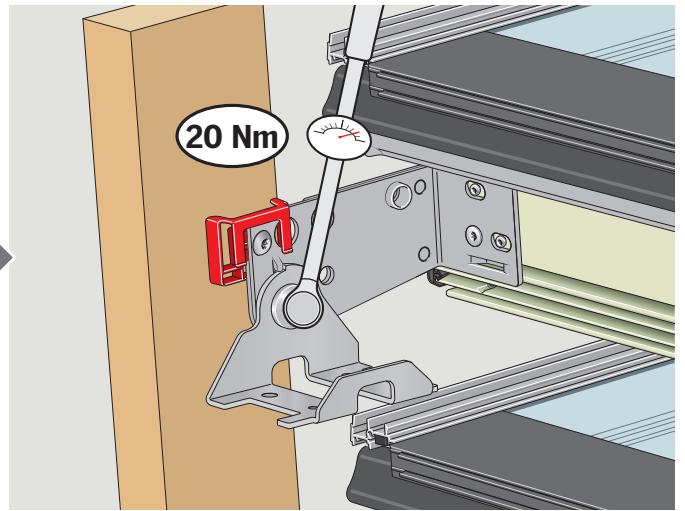
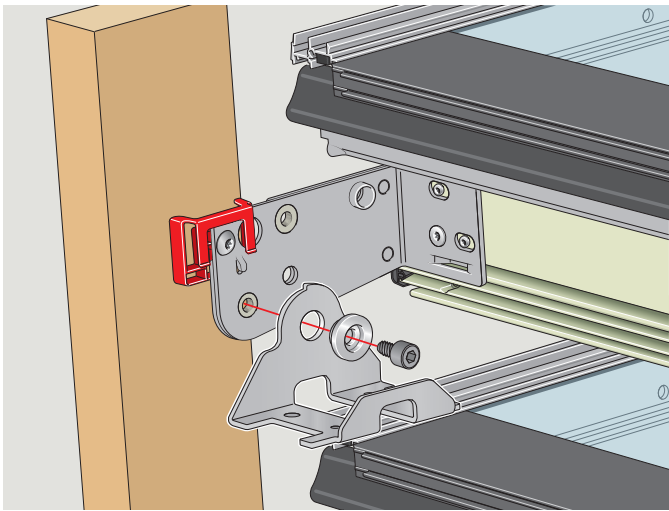
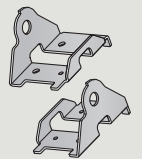


M8 x 10 mm

35



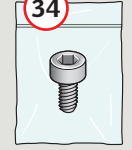
∅ 8 mm



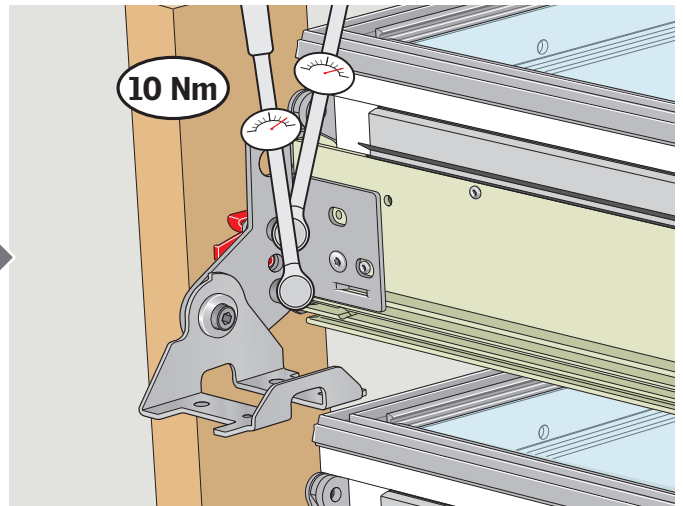
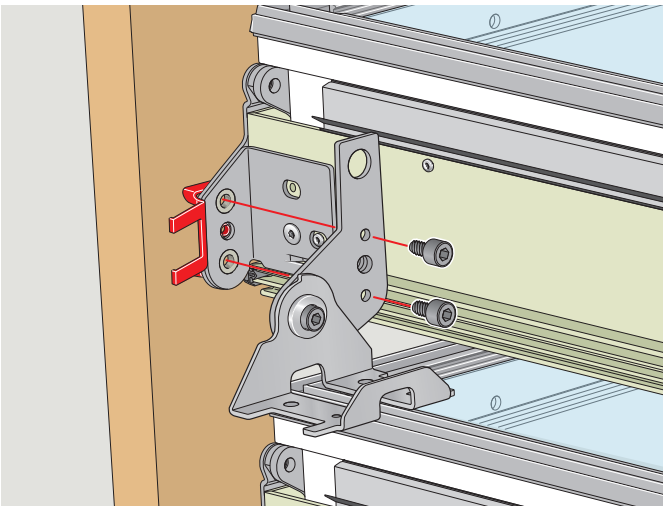
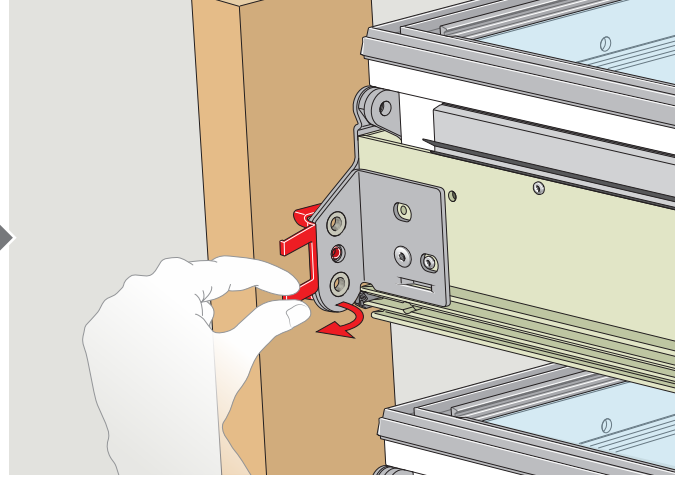
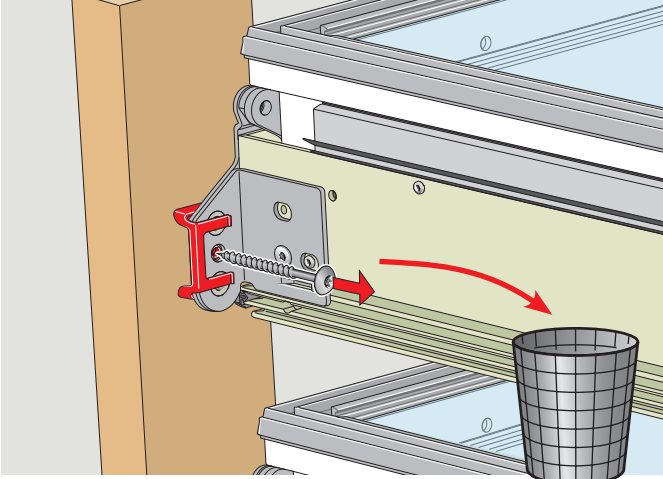
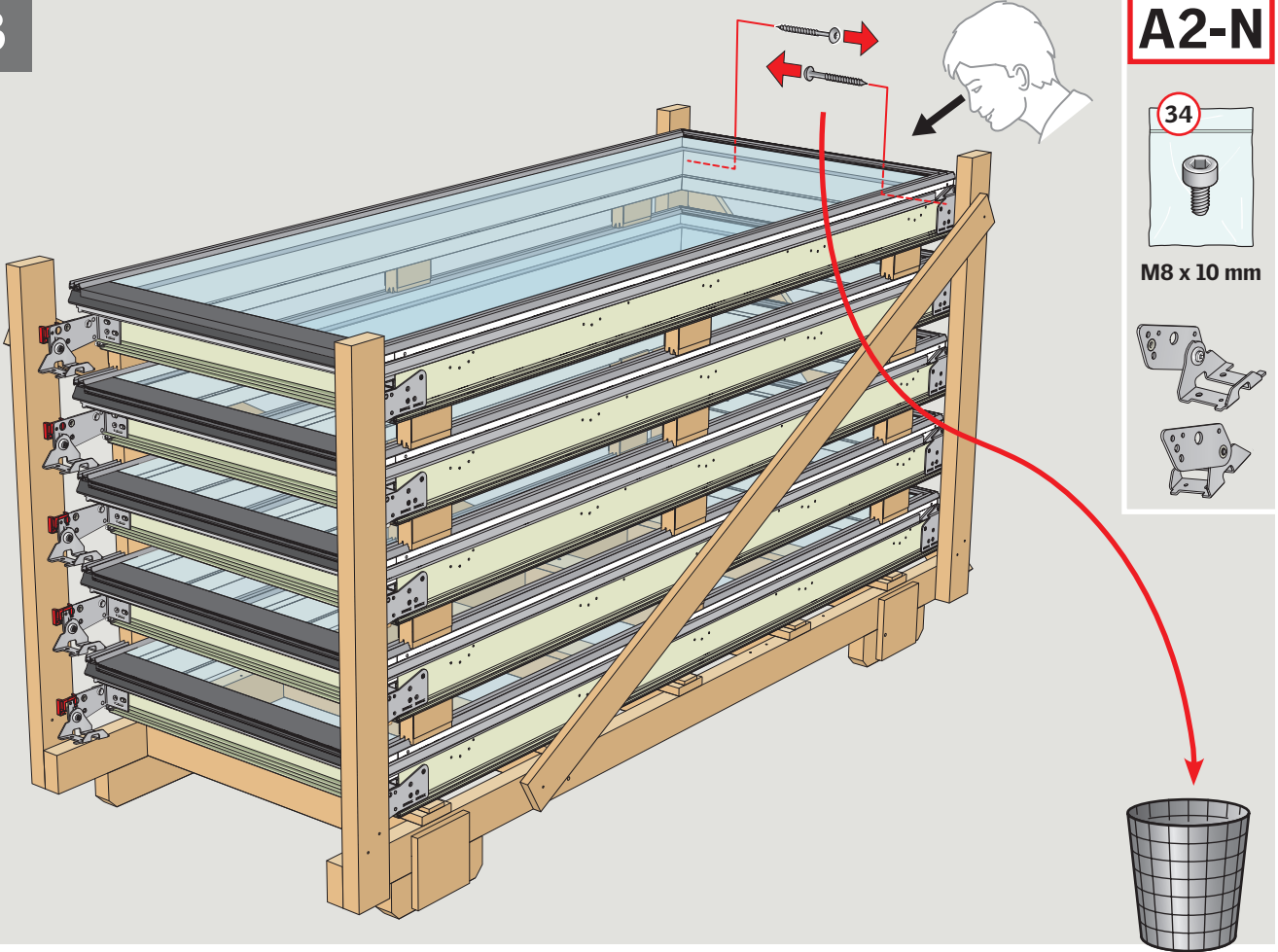
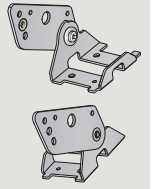
3

A2-N

34

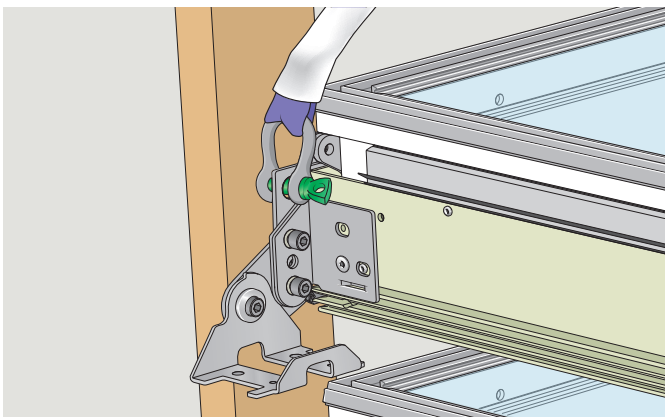
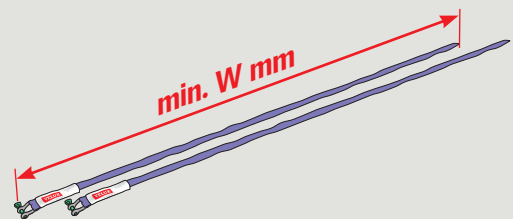
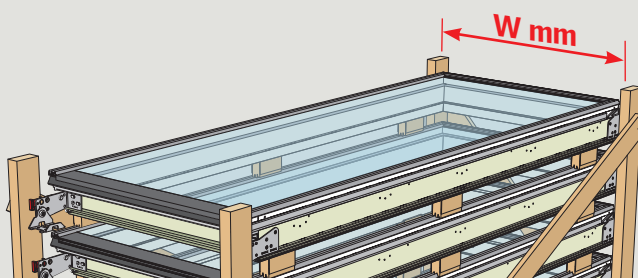
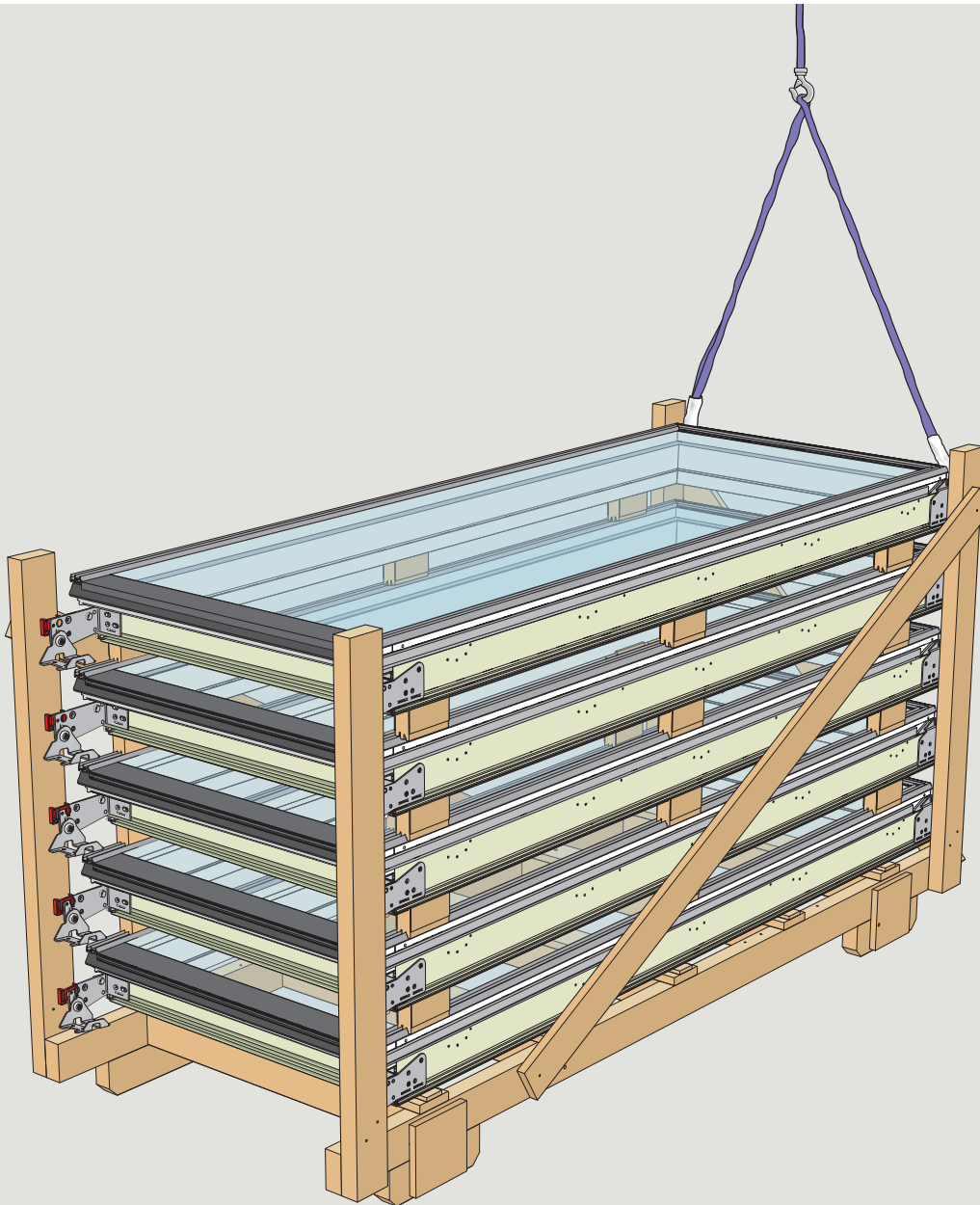


M8 x 10 mm

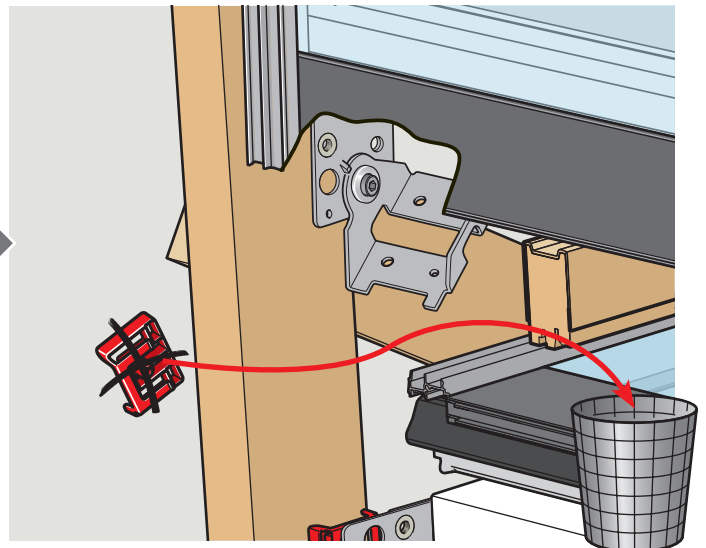
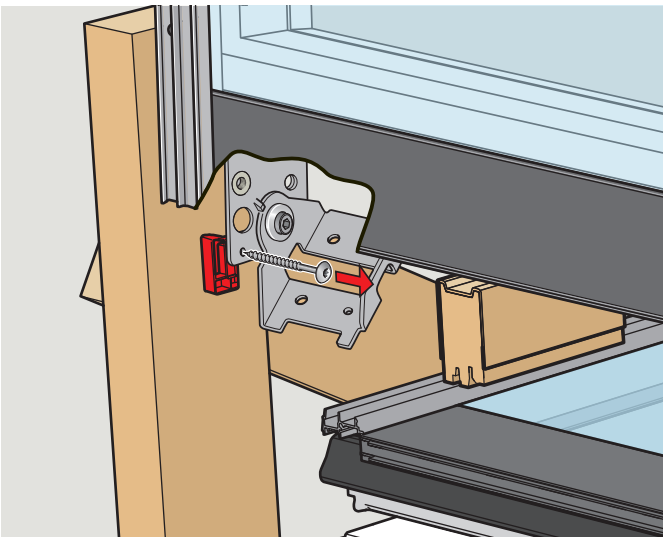
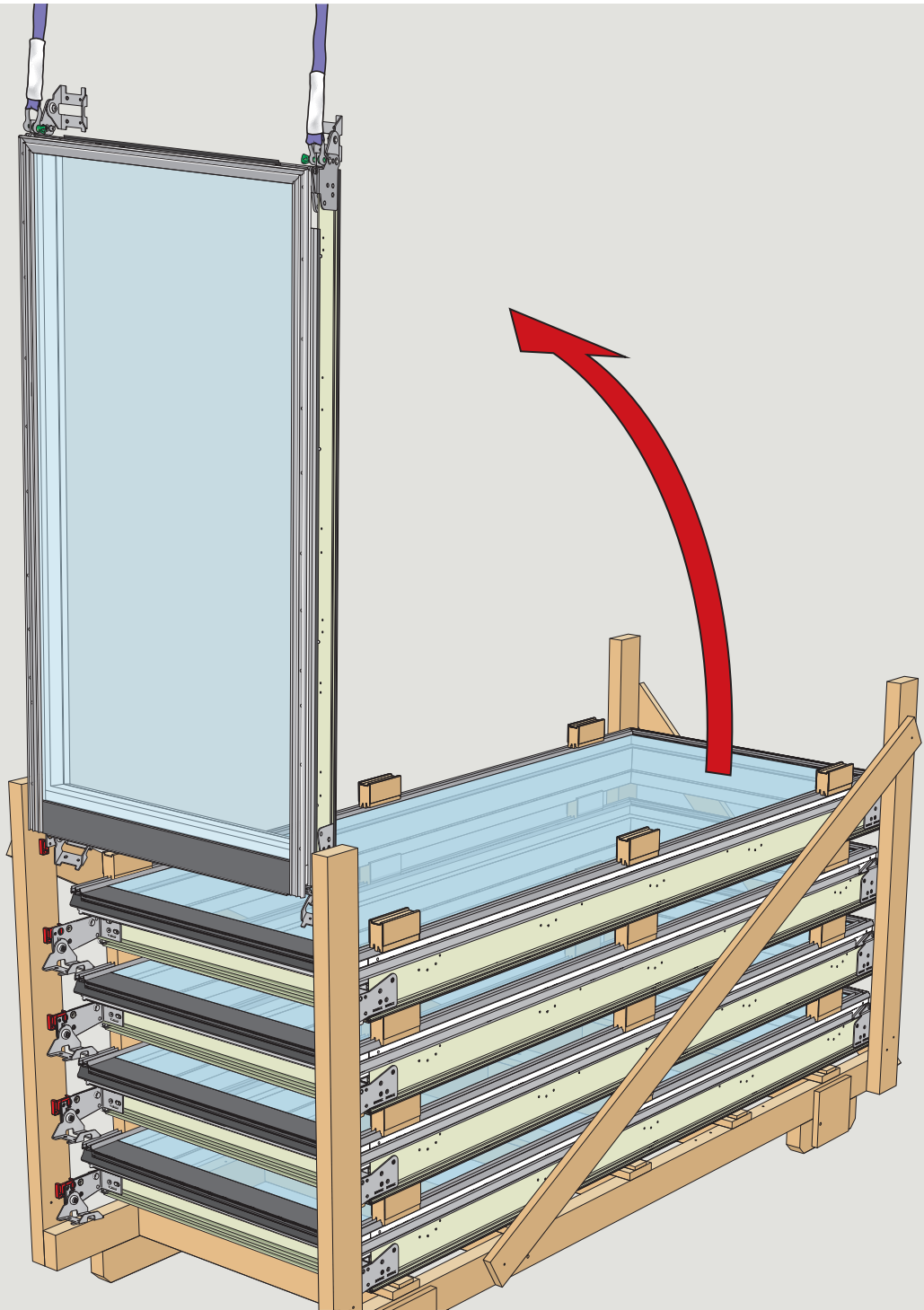


4

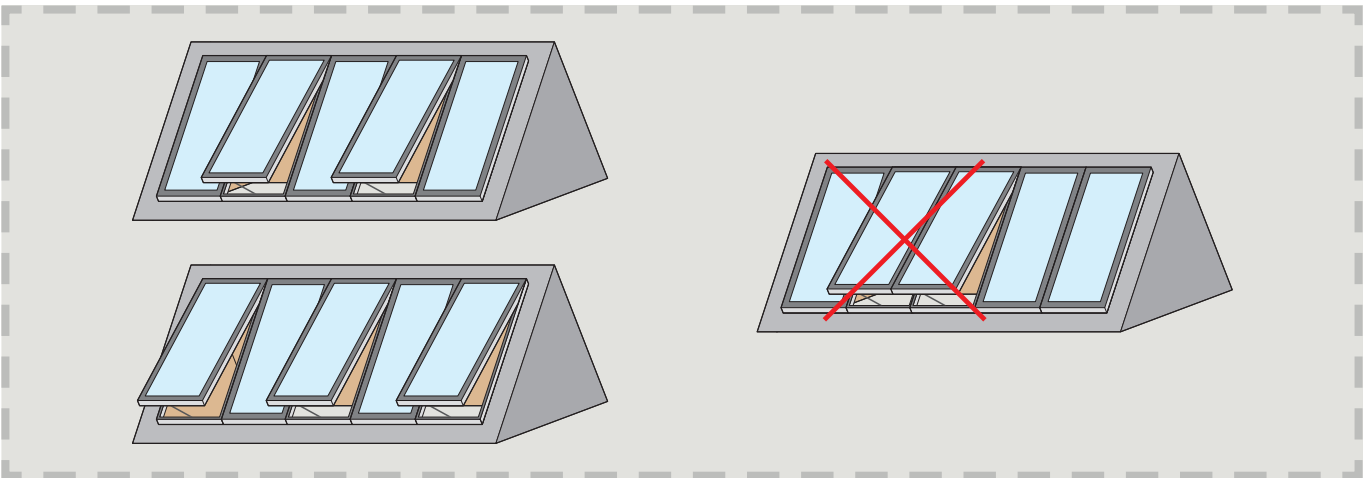
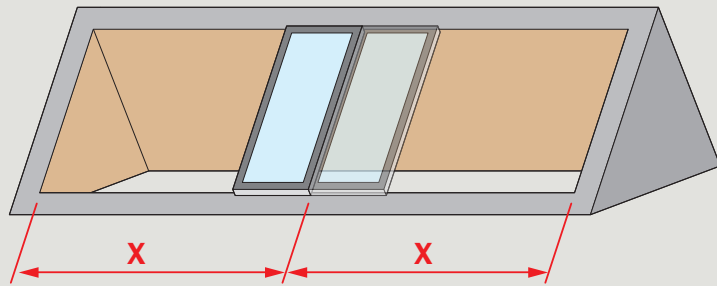
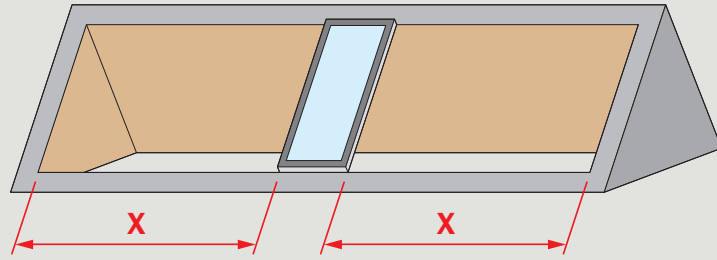
A3-N



5

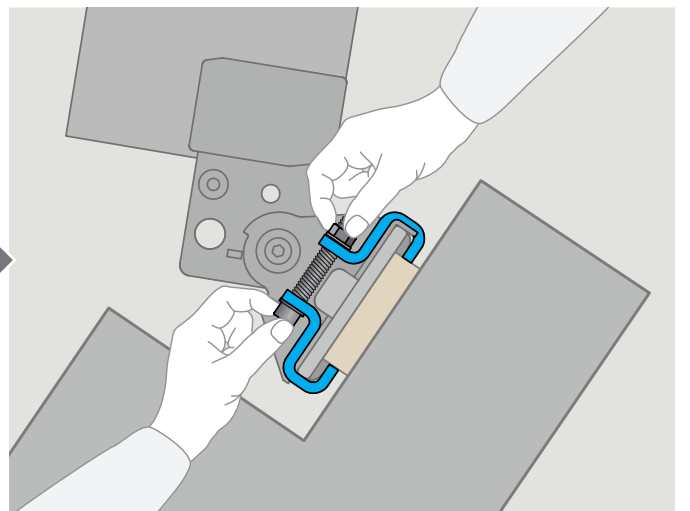
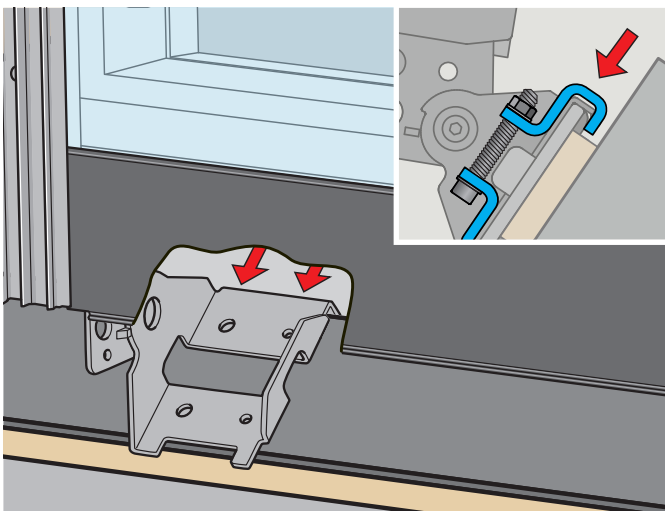
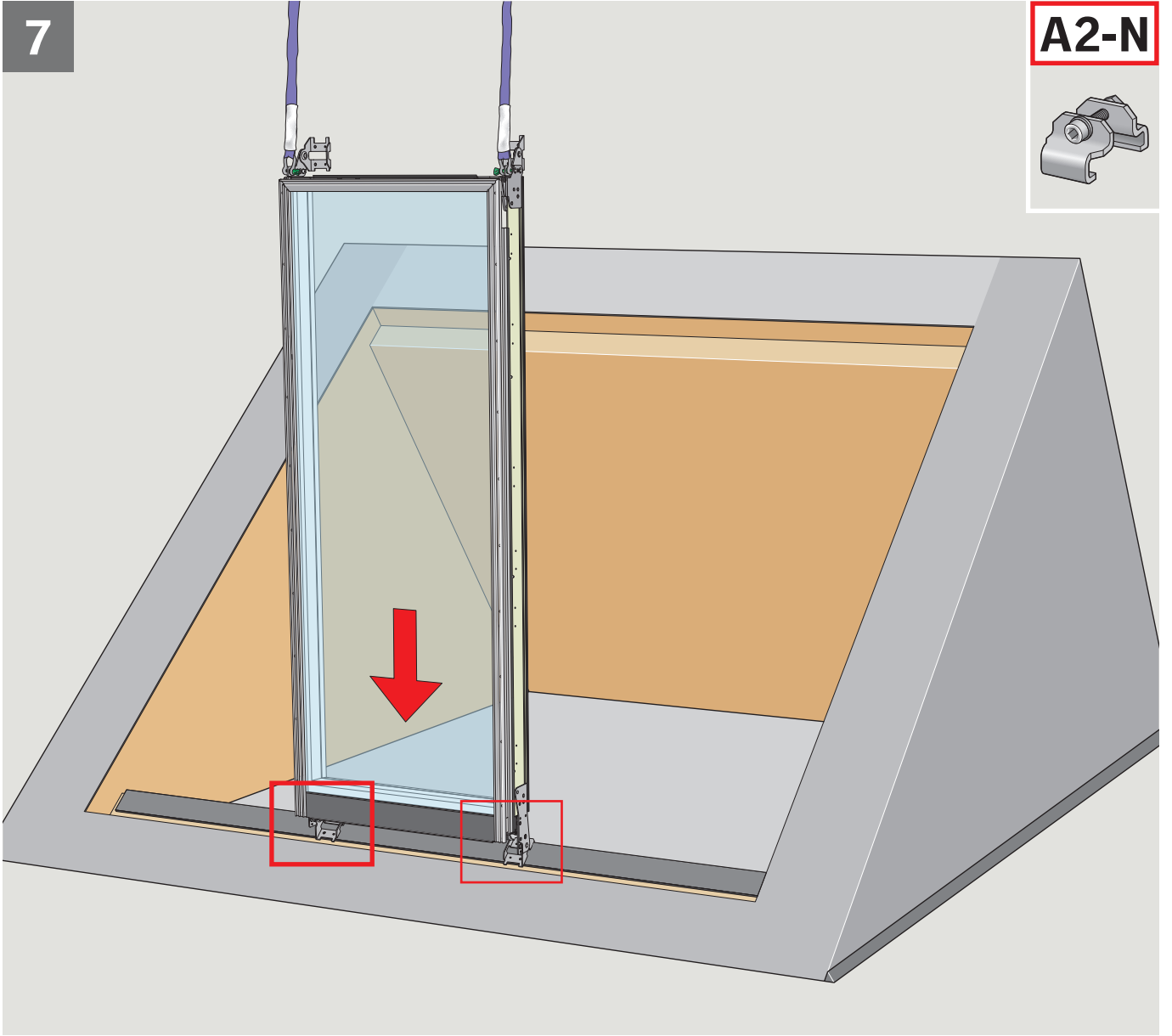
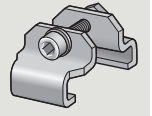


6



7

A2-N

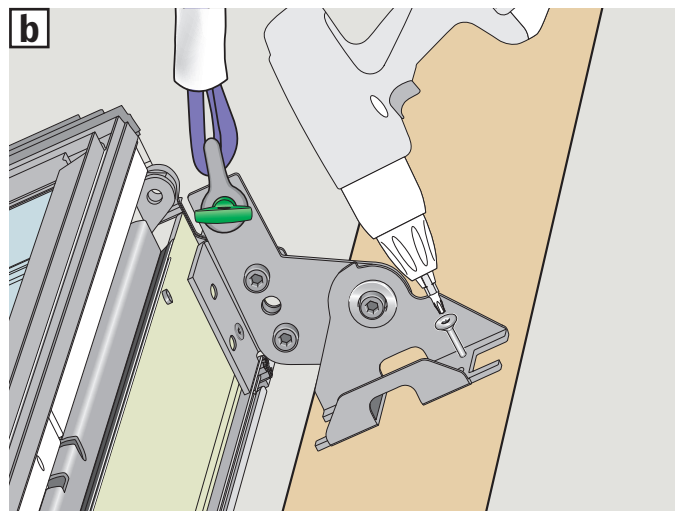
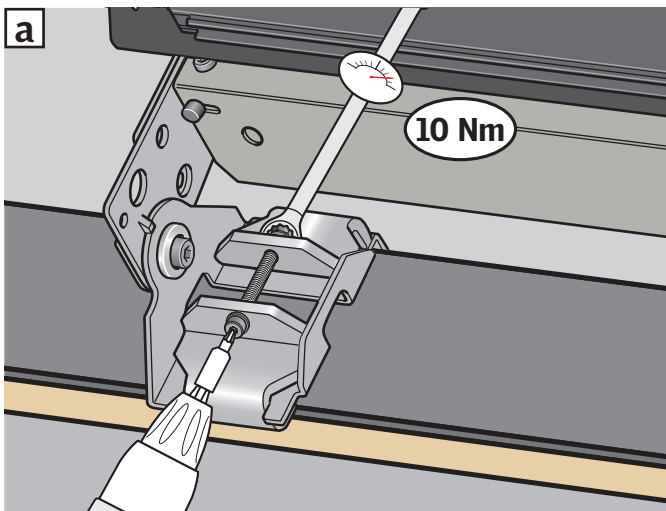
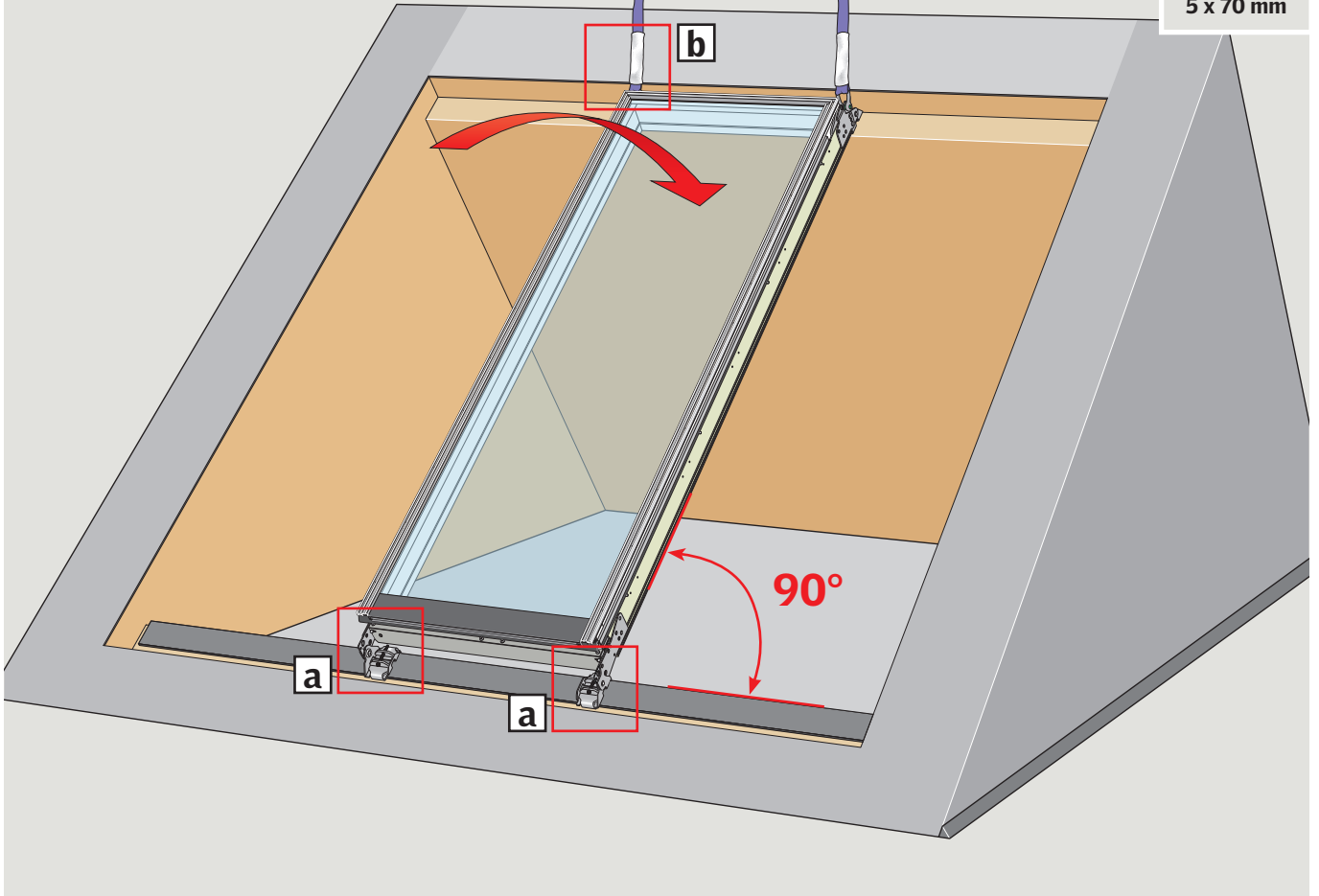


8

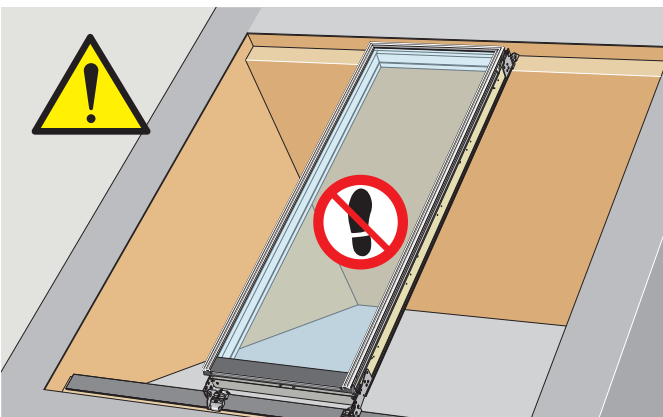
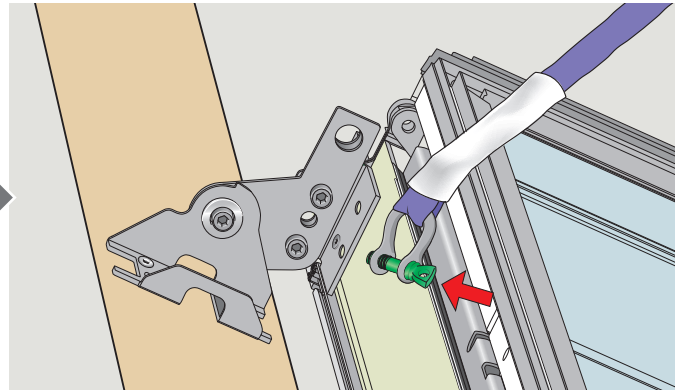
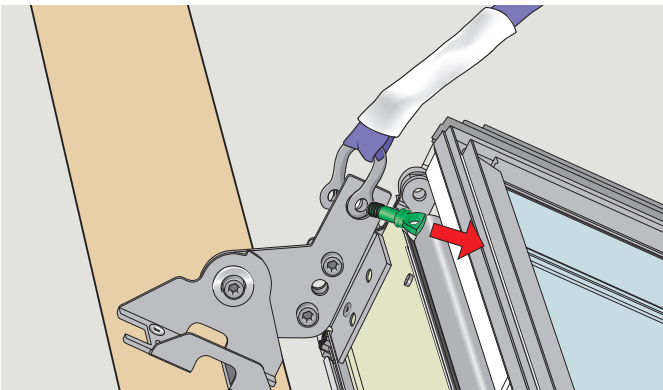
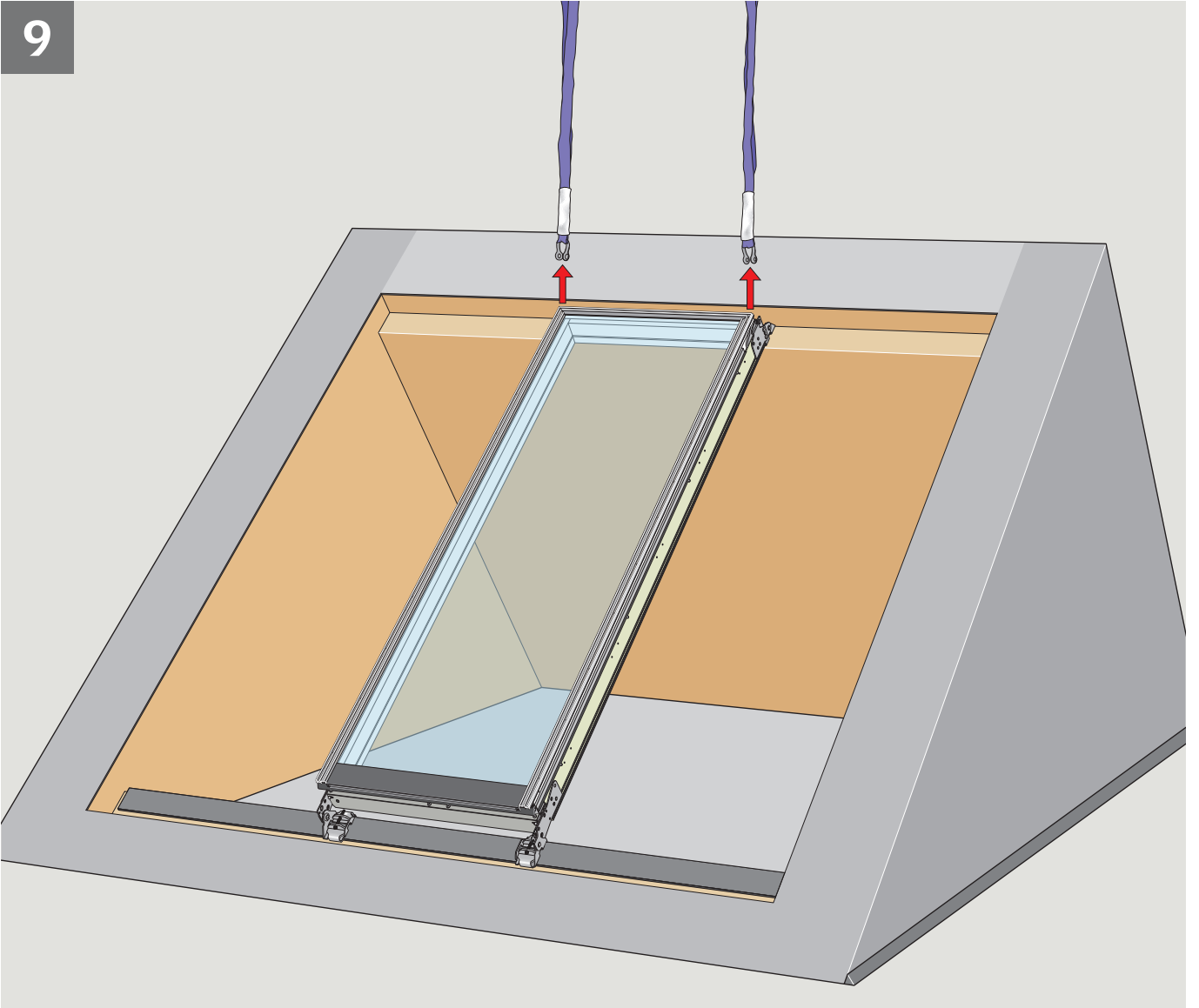
A2-N



5 x 70 mm

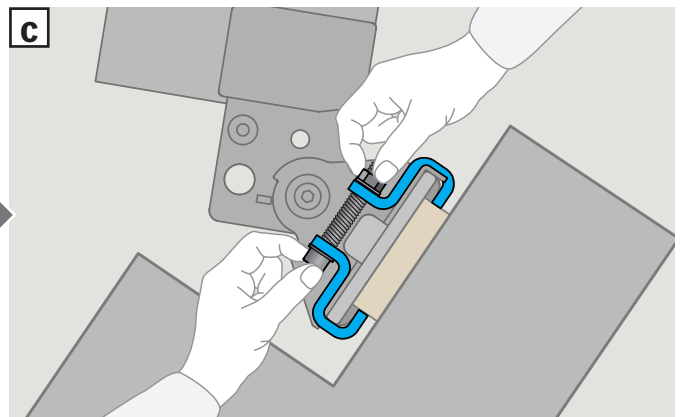
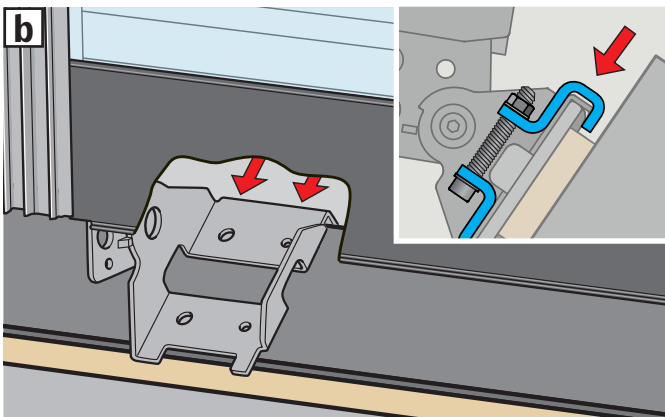
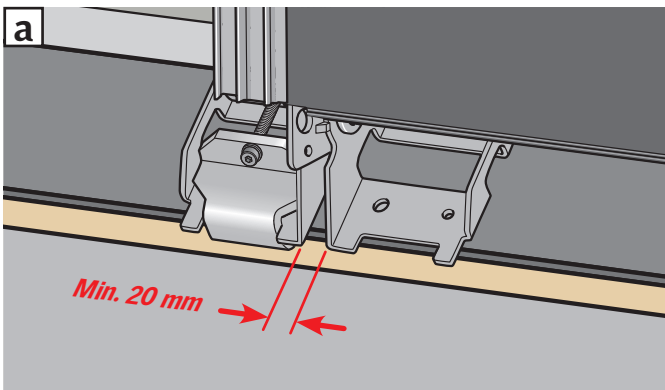
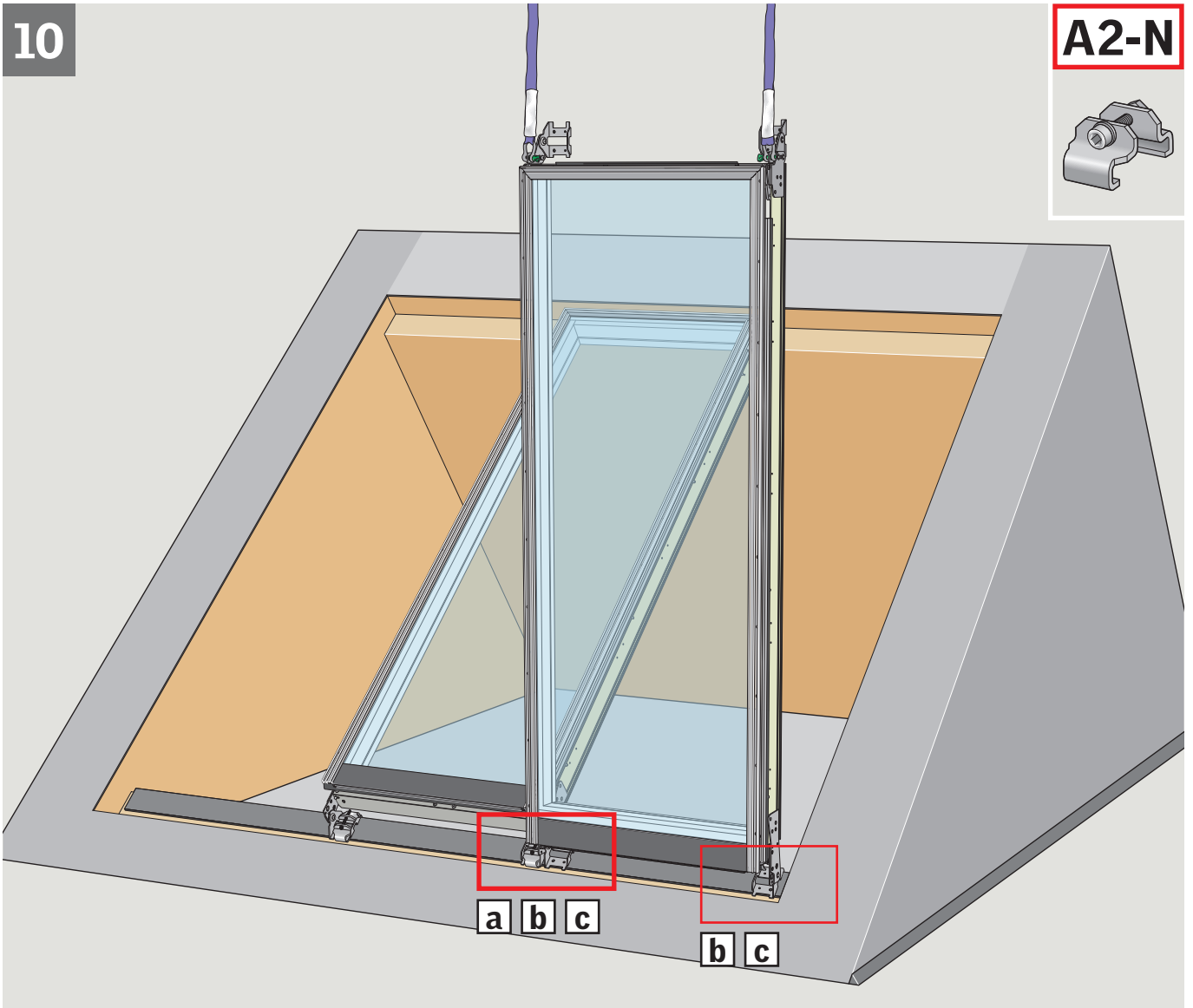
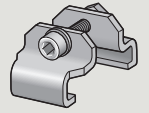


9



10

A2-N



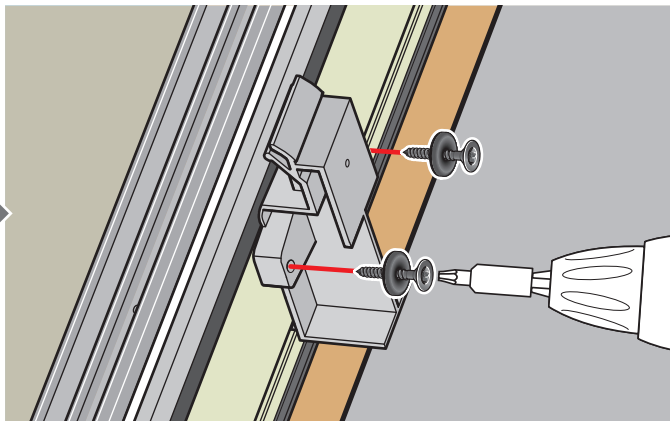
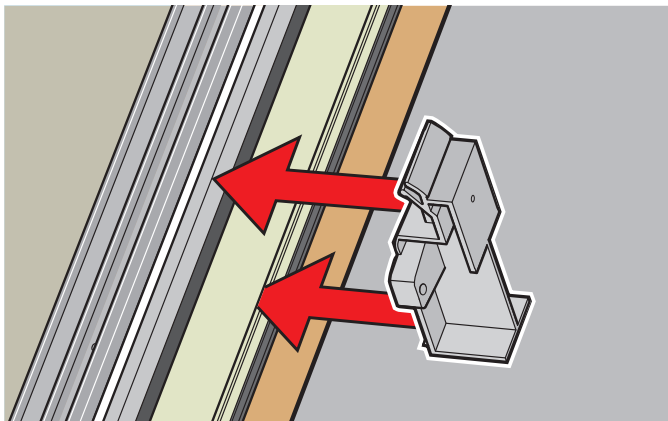
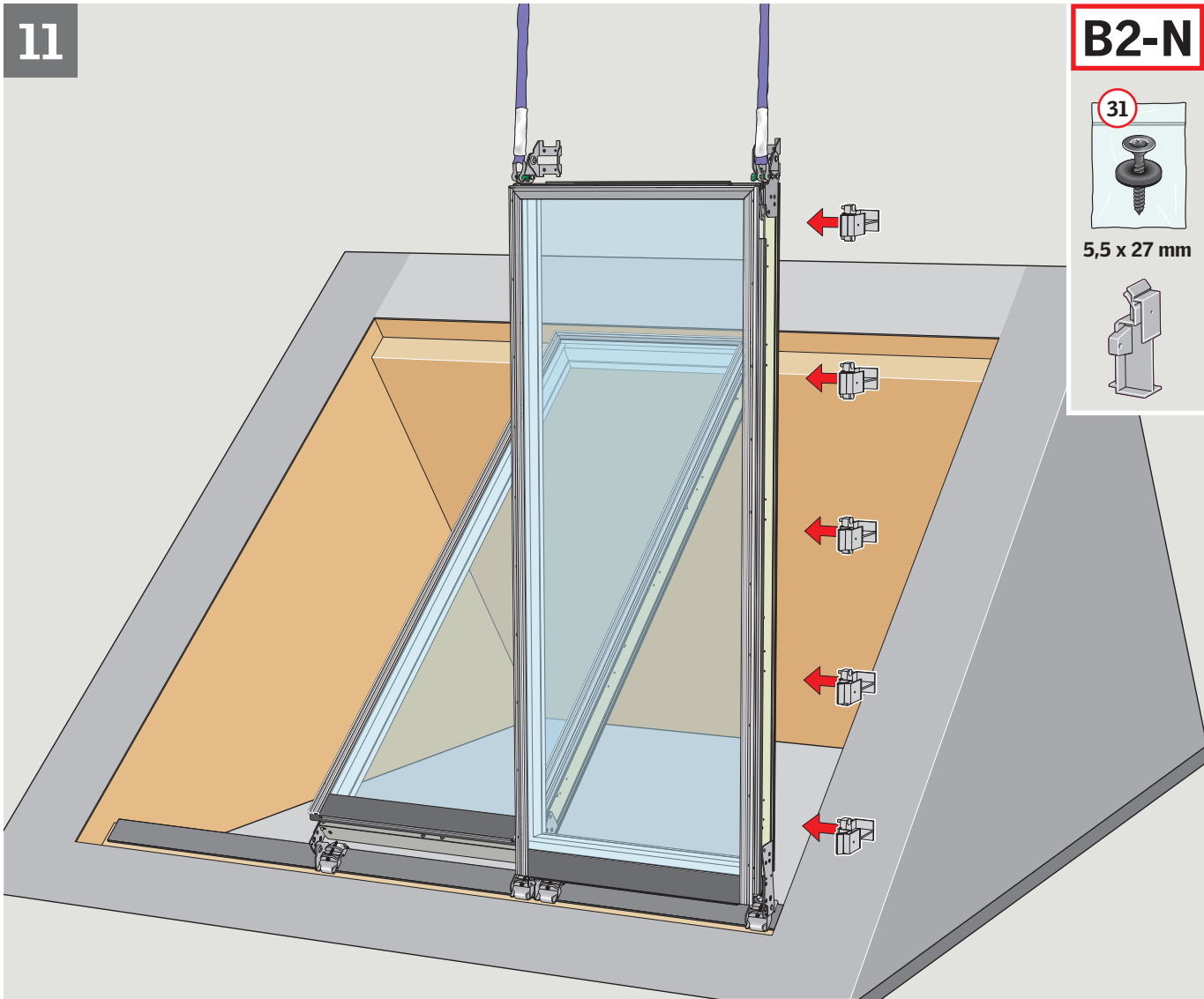
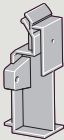
11

B2-N

31

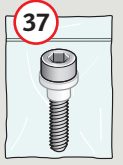
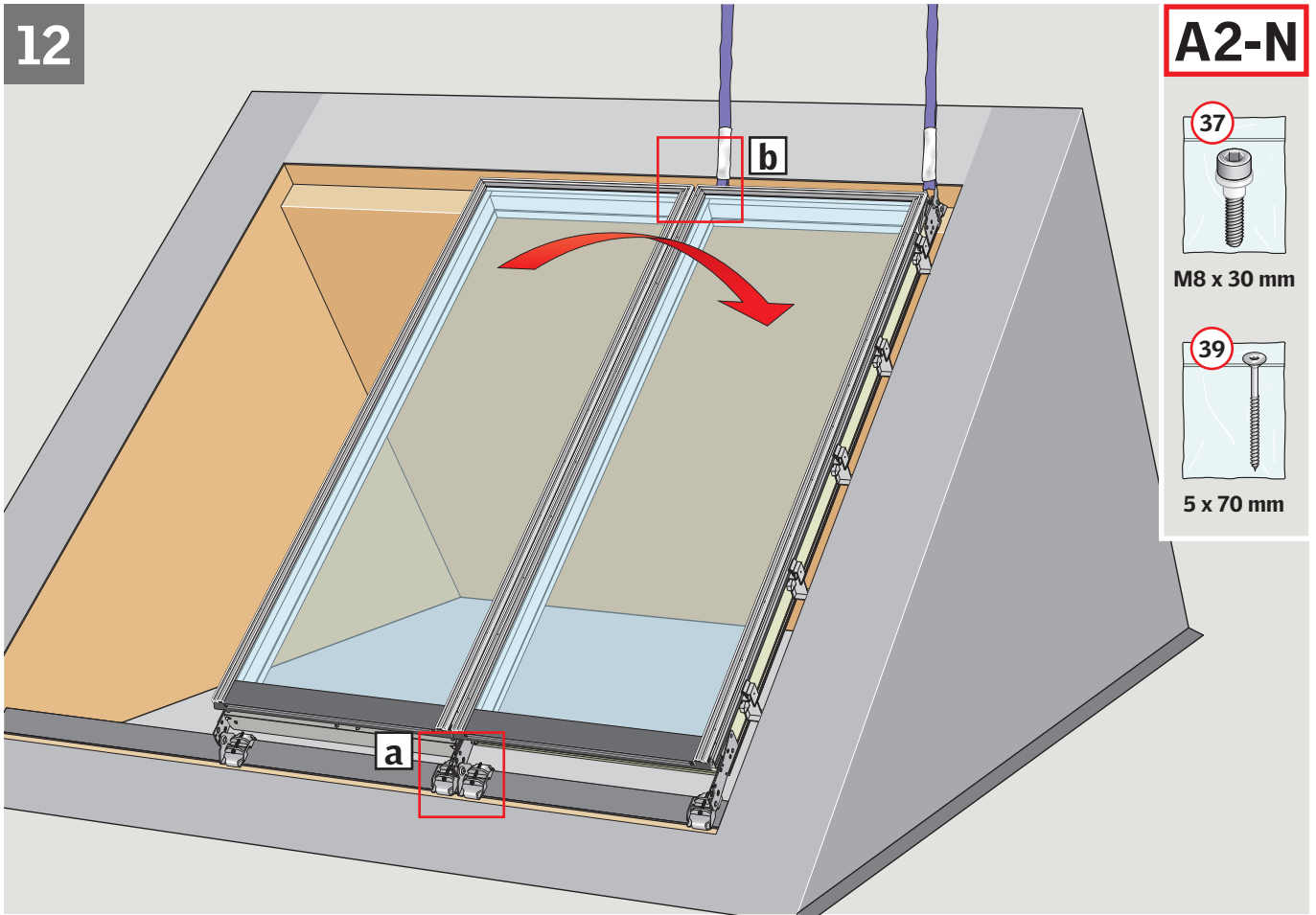


5,5 x 27 mm



12

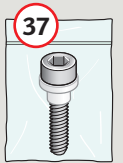
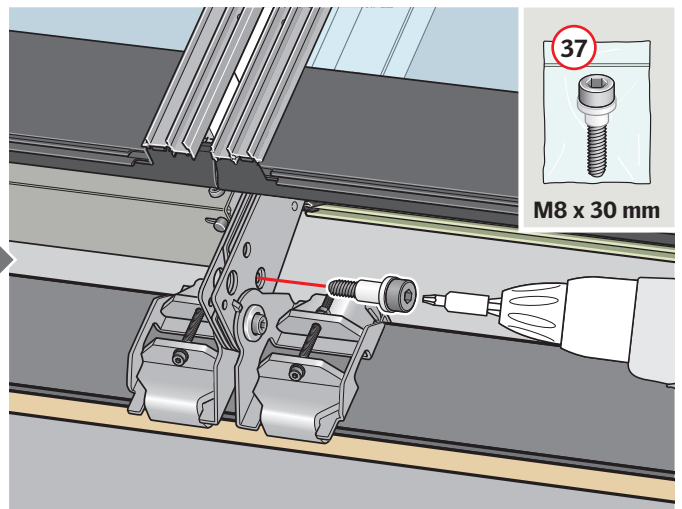
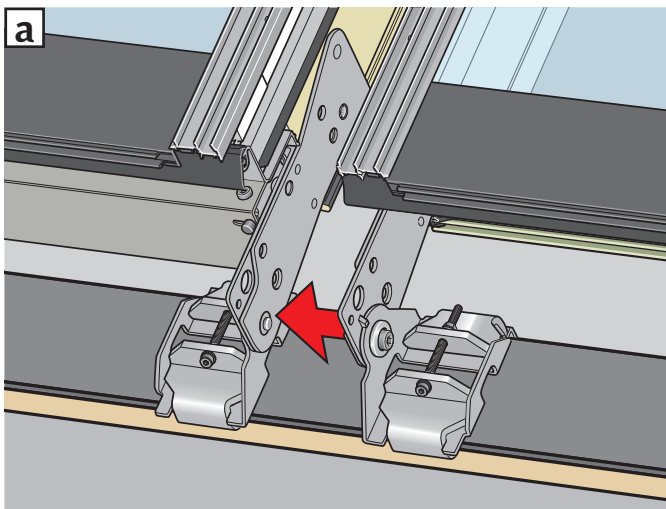
A2-N



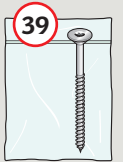
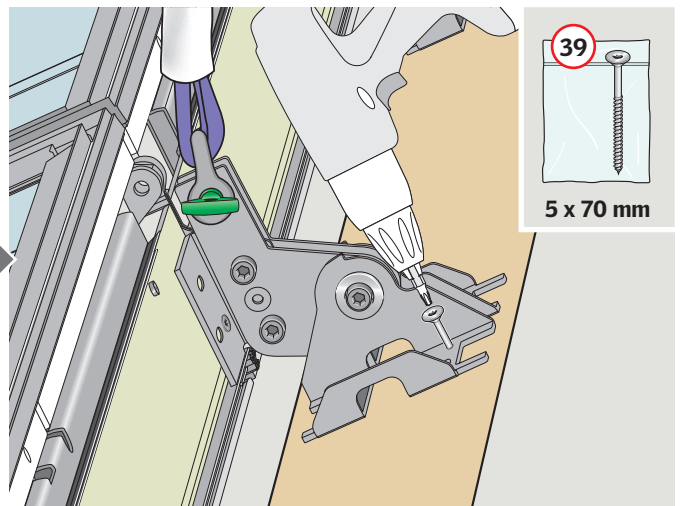
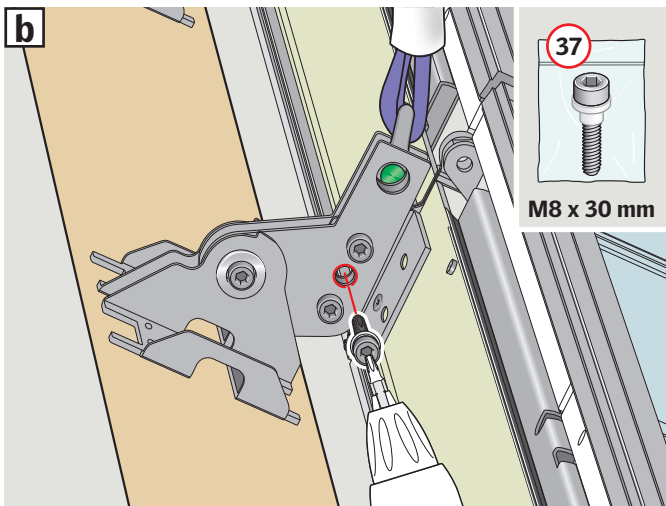
M8 x 30 mm



5 x 70 mm



M8 x 30 mm



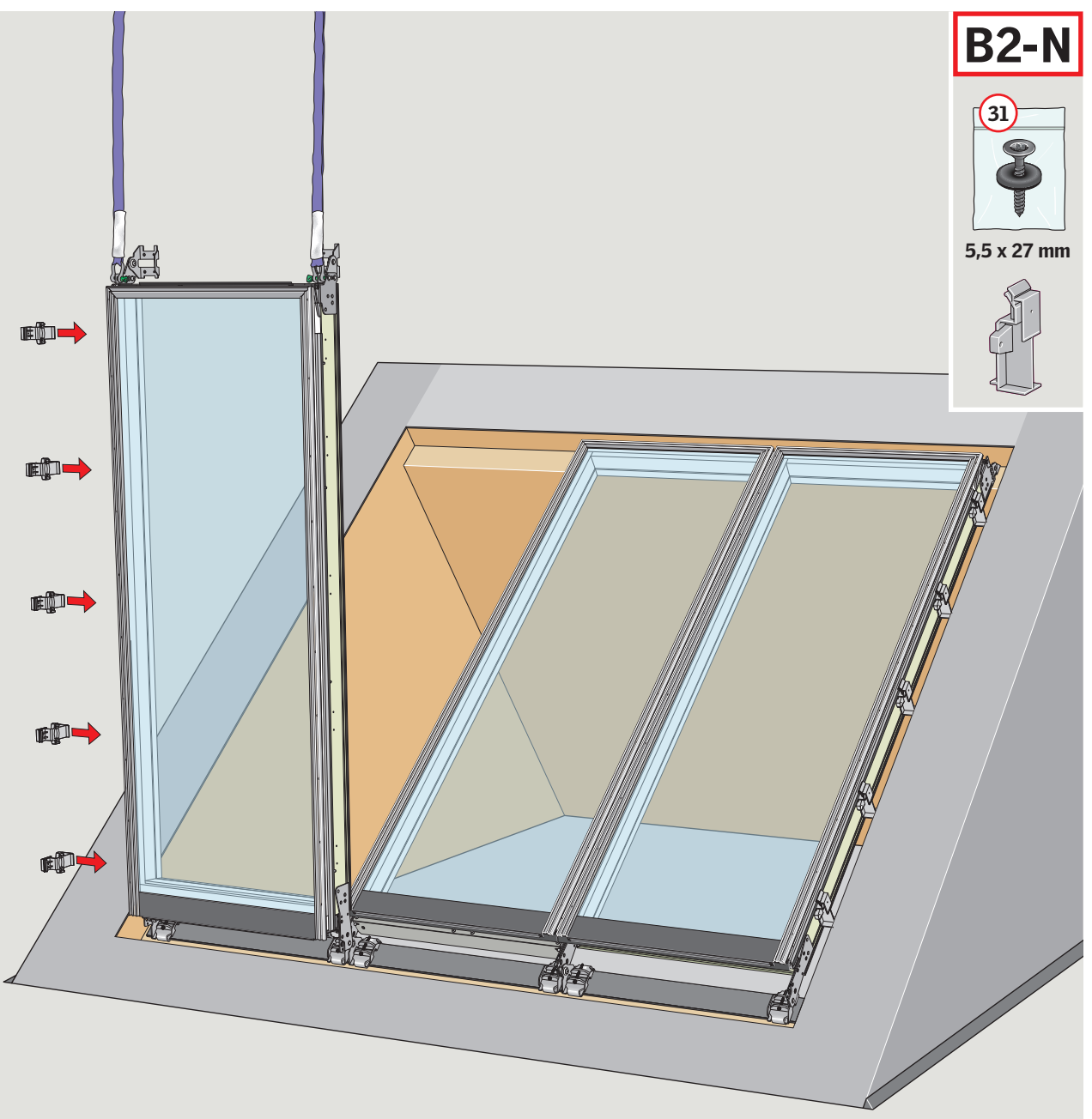
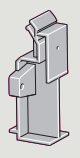
5 x 70 mm

13

B2-N



5,5 x 27 mm

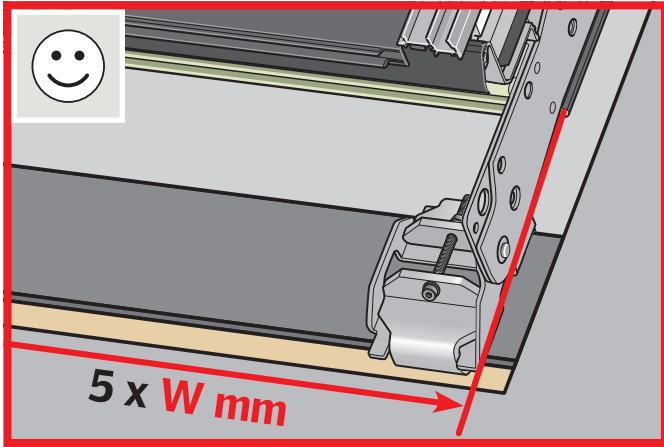
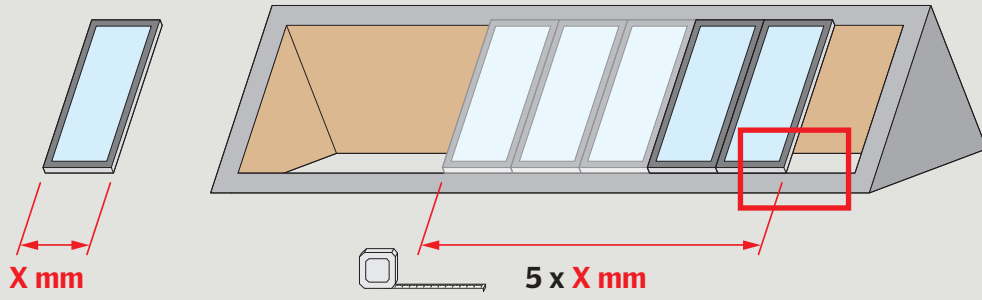


10

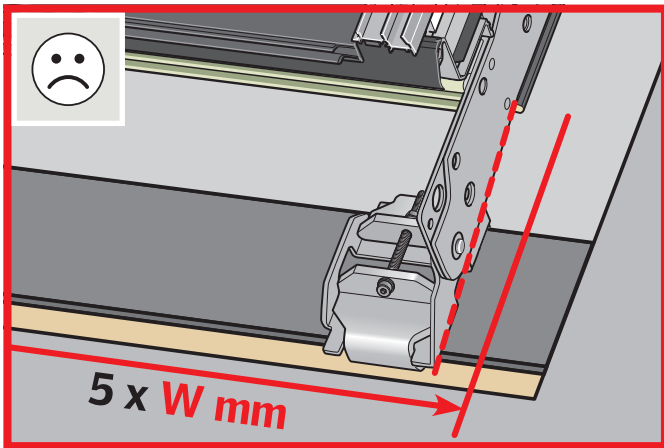
11

12

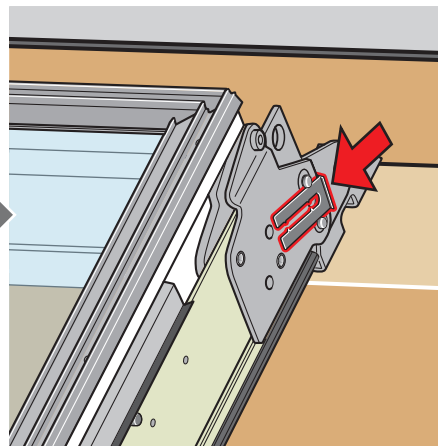
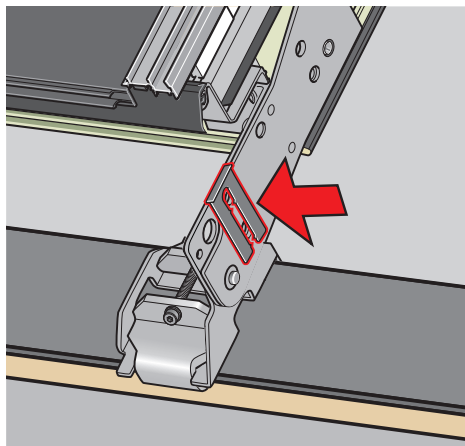
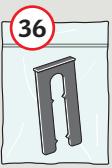
14



16



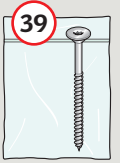
A2-N



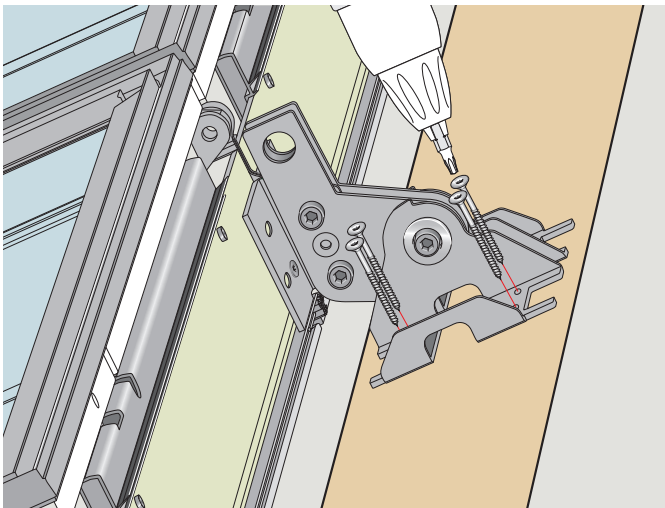
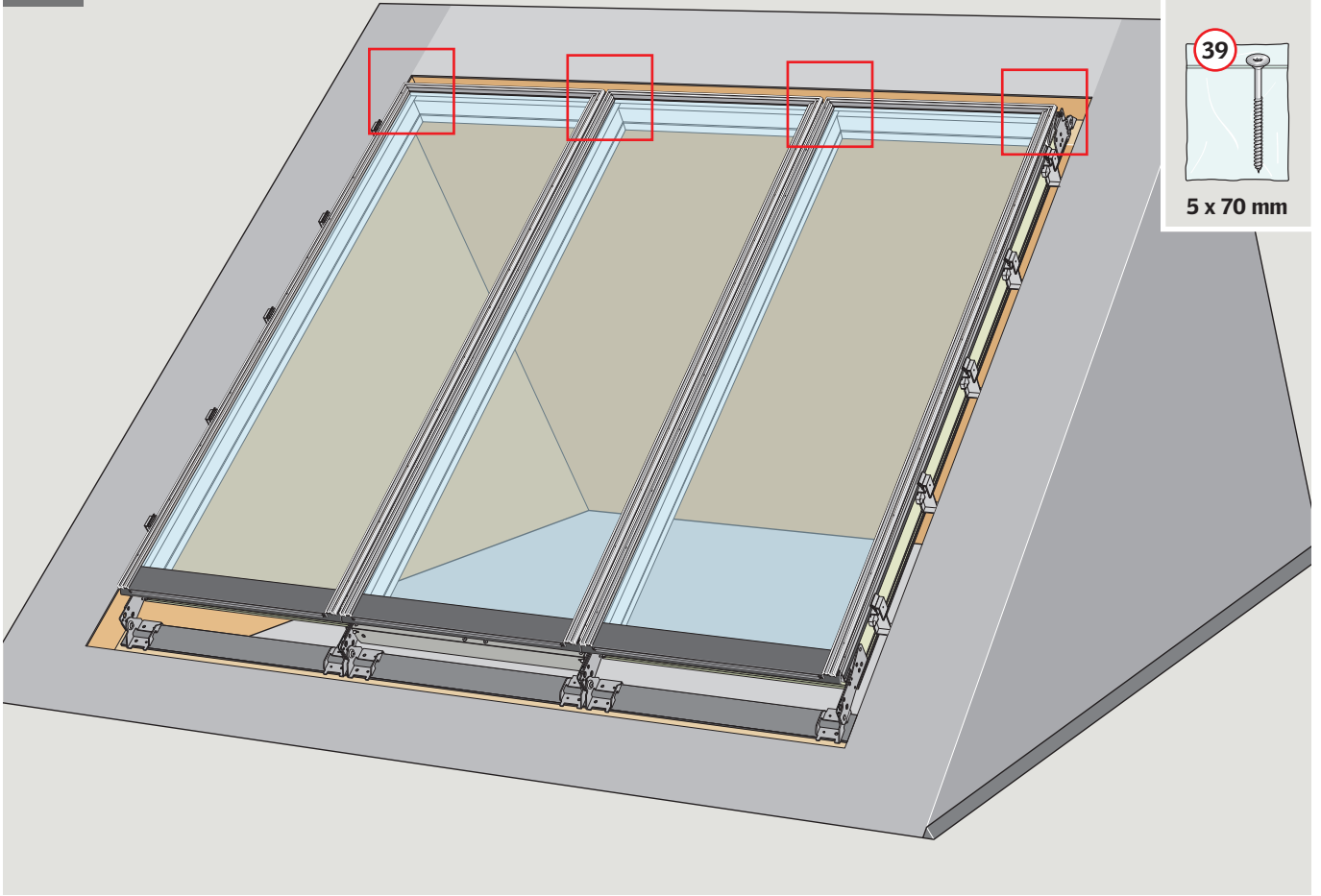
16

15

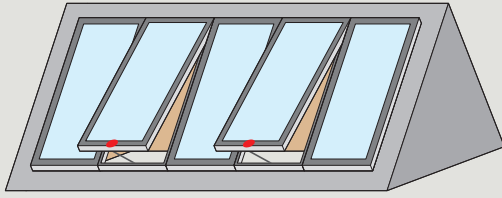
A2-N



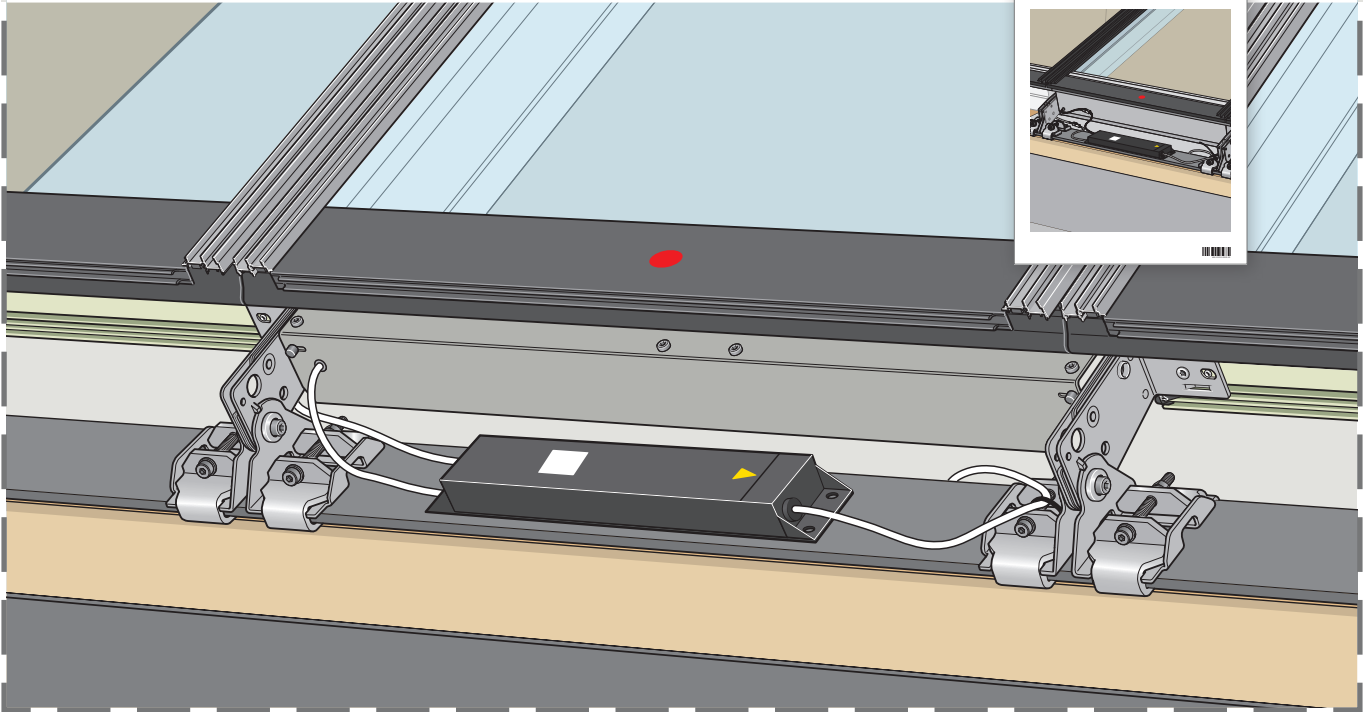
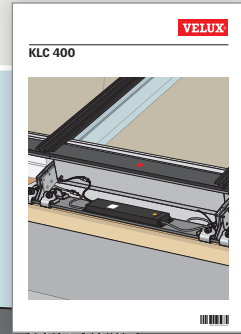
5 x 70 mm



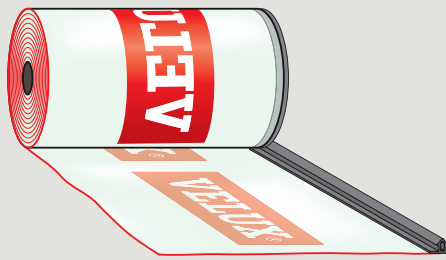
16



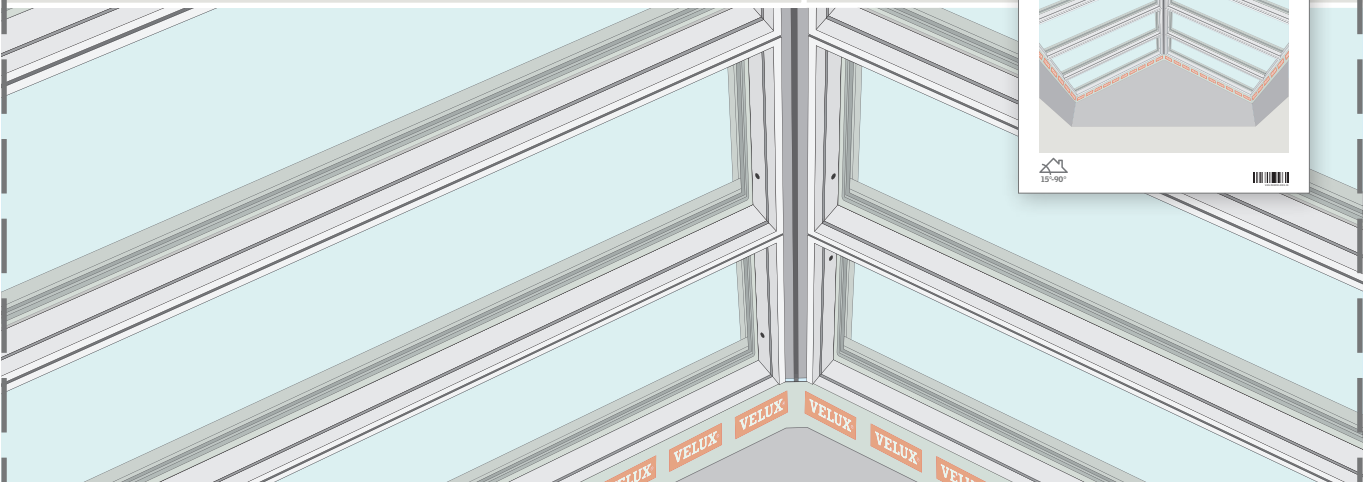
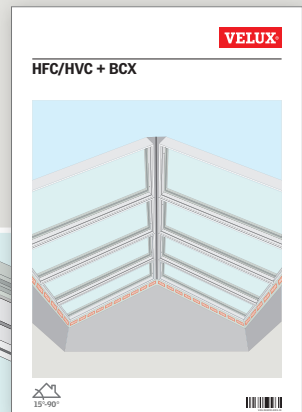
KLC 400



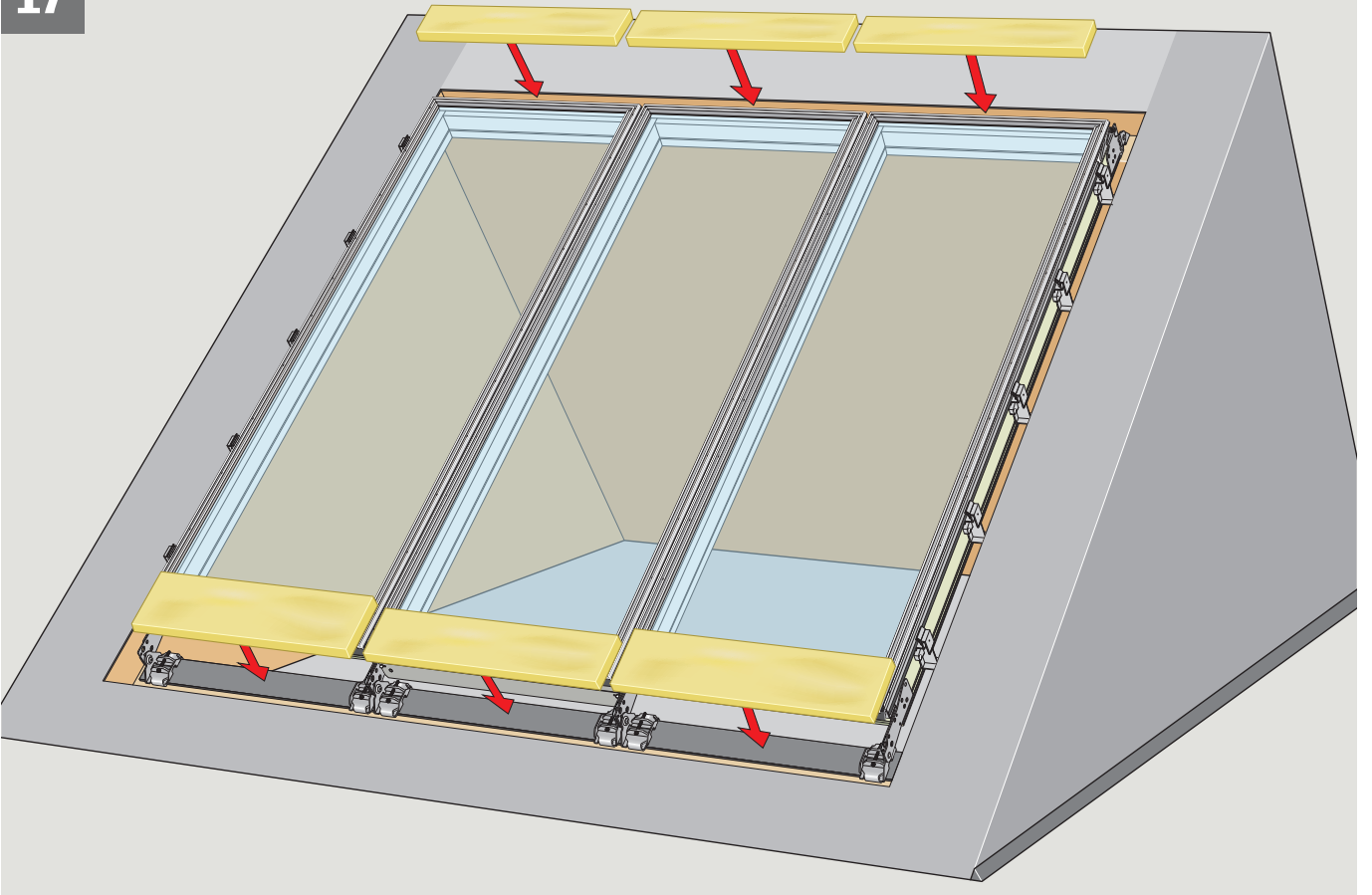
BCX



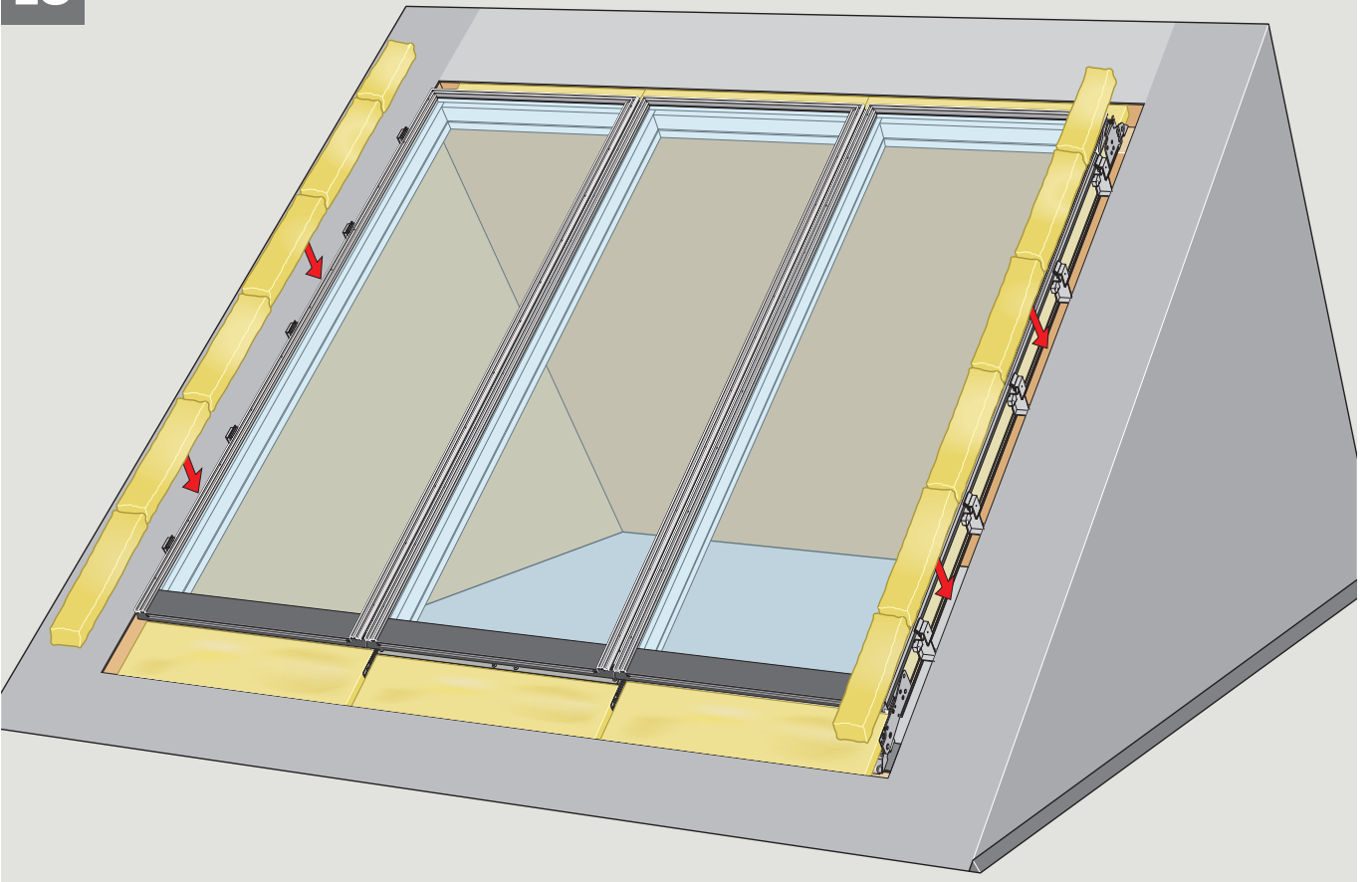
BCX



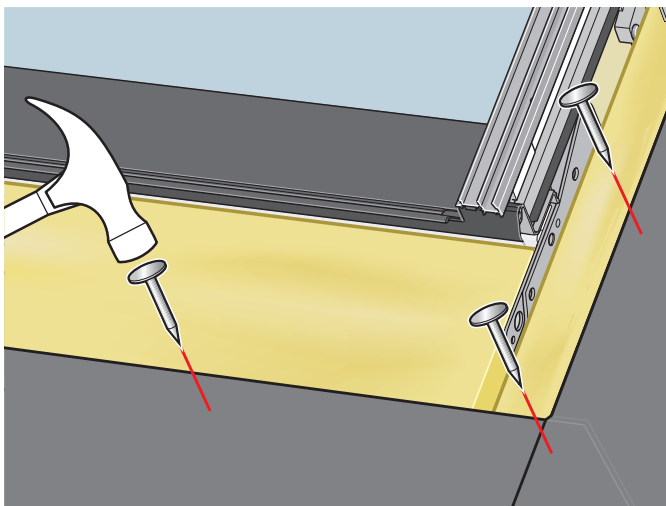
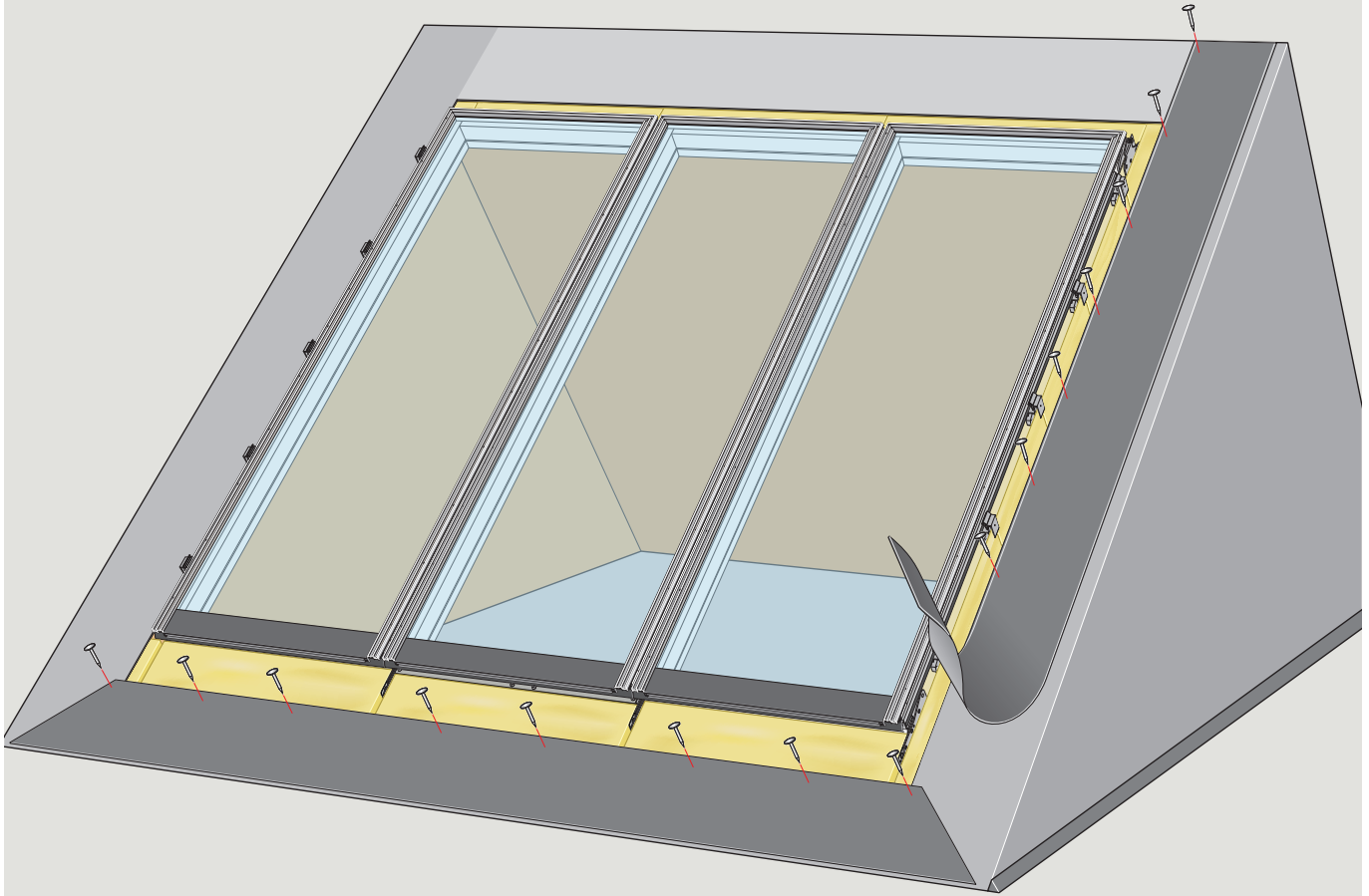
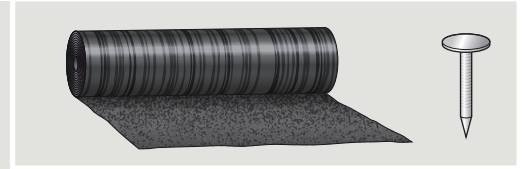
17



18



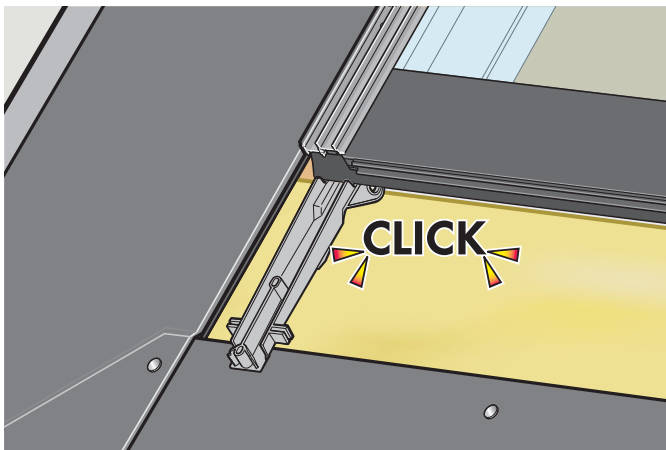
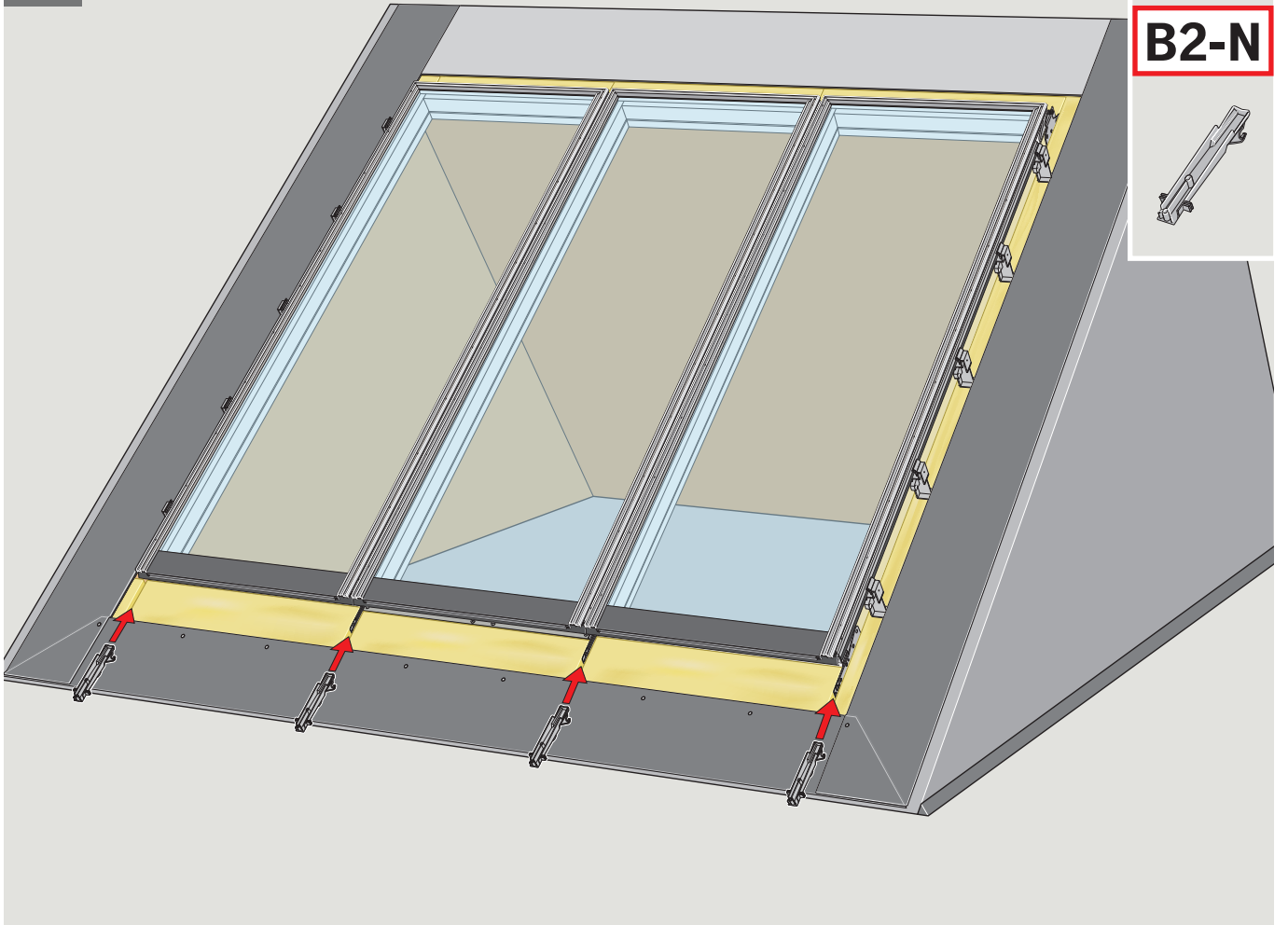
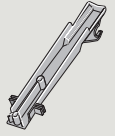
19



20

B1-N

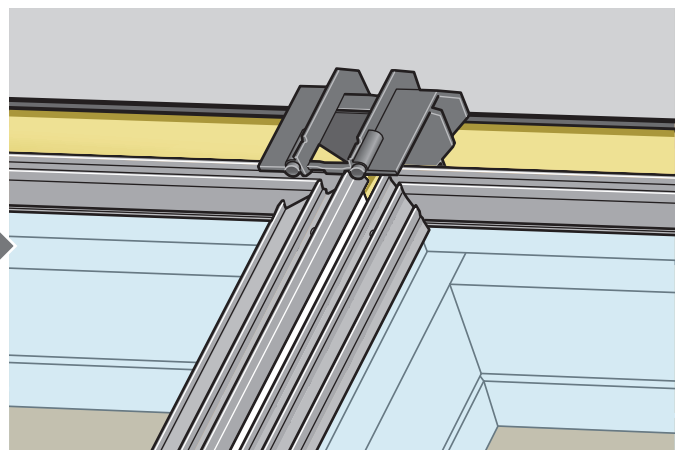
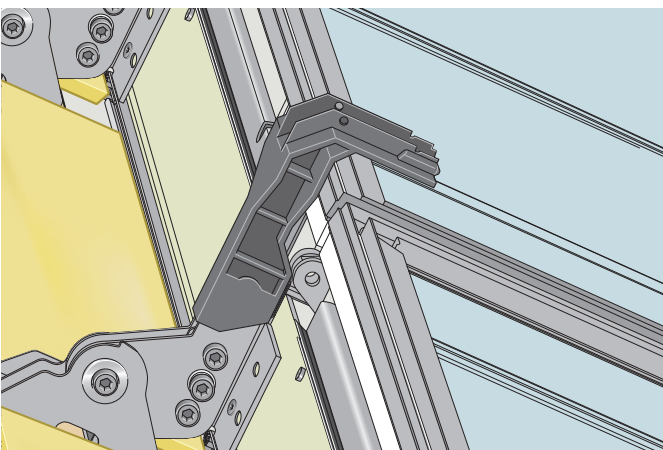
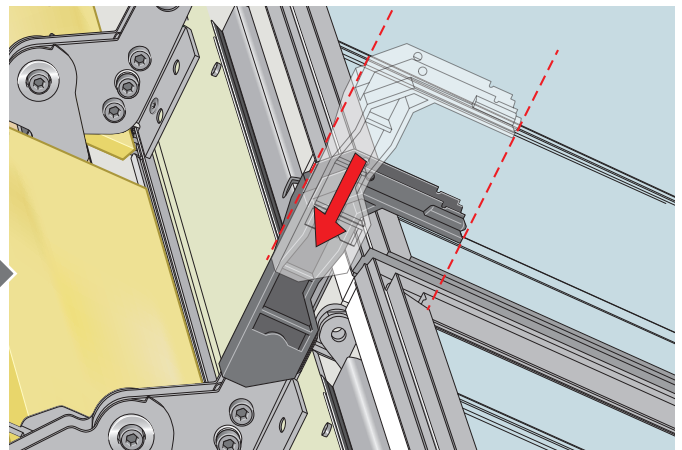
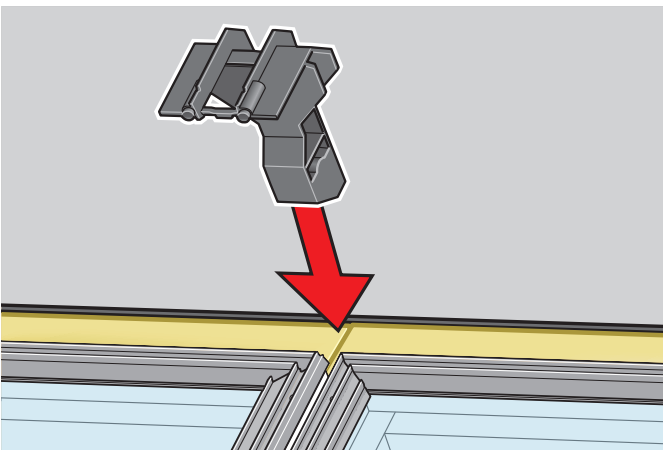
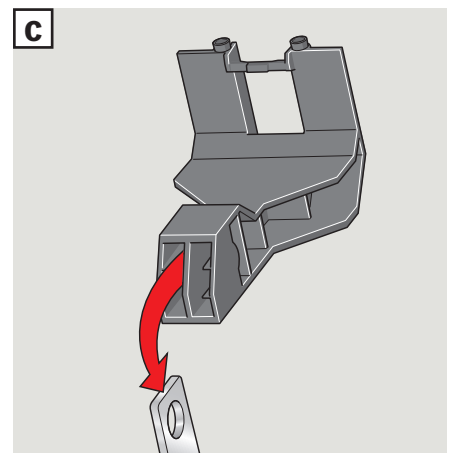
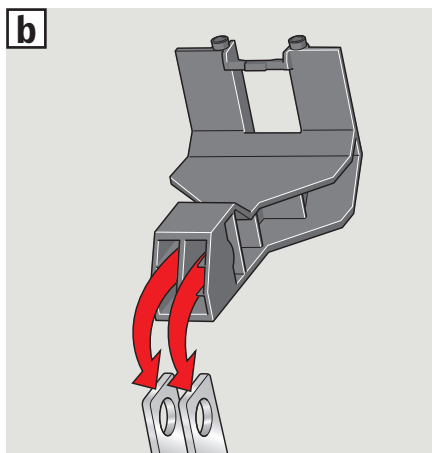
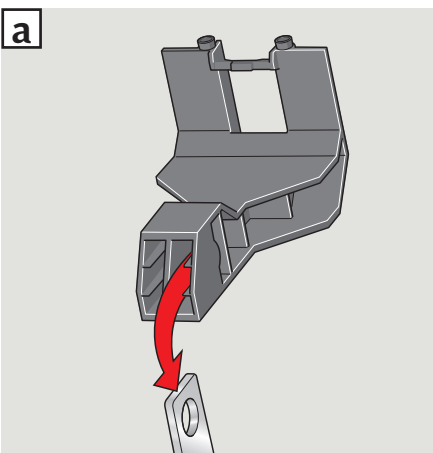
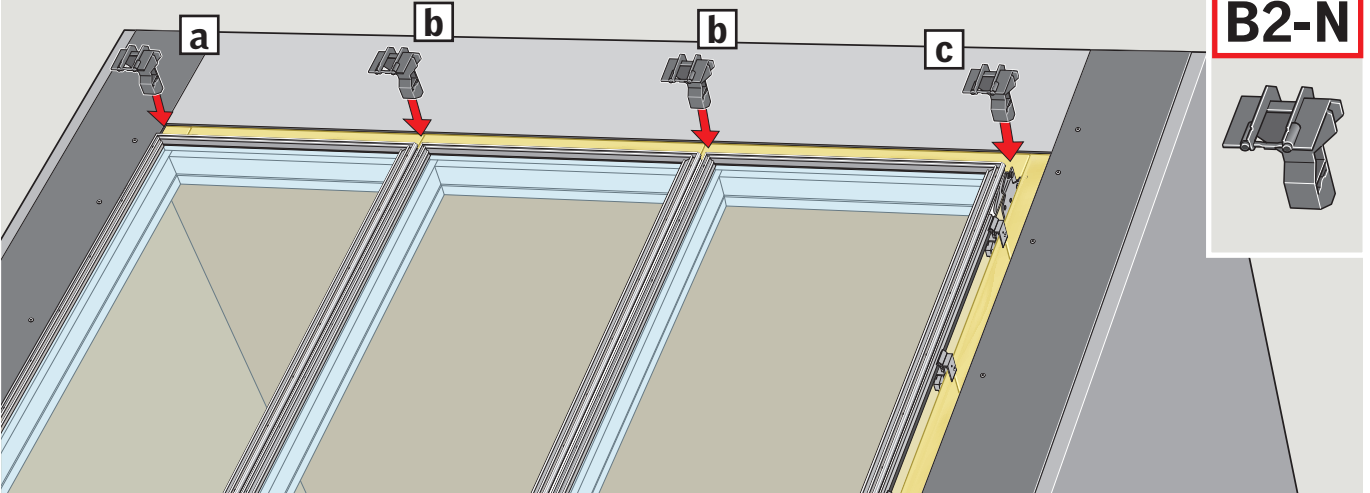
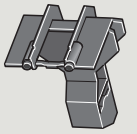
B2-N



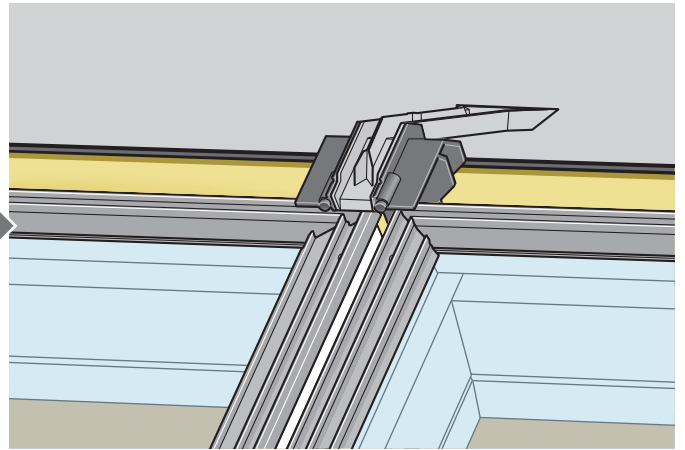
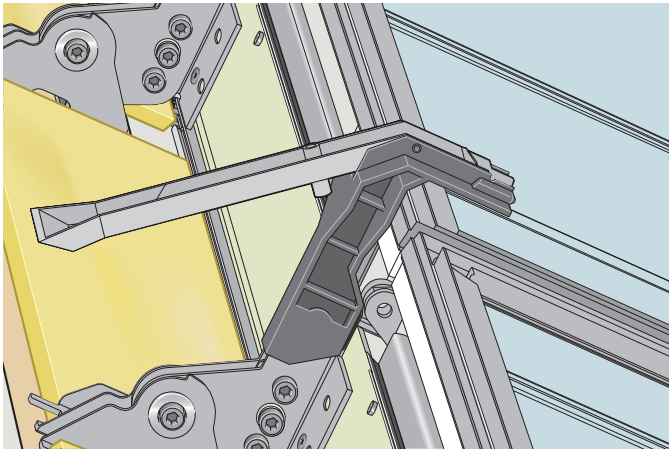
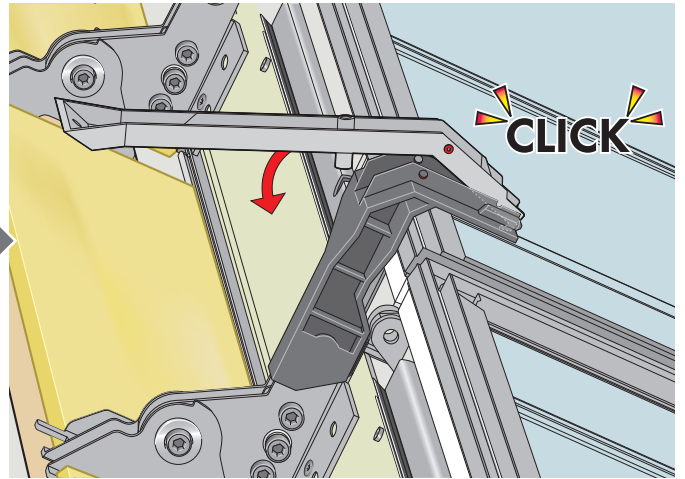
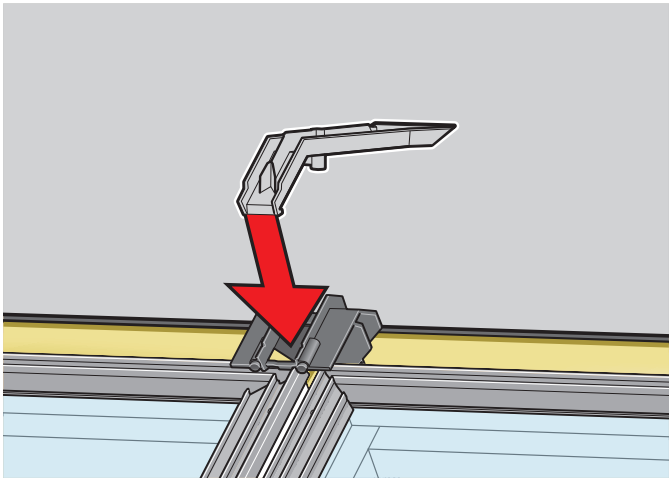
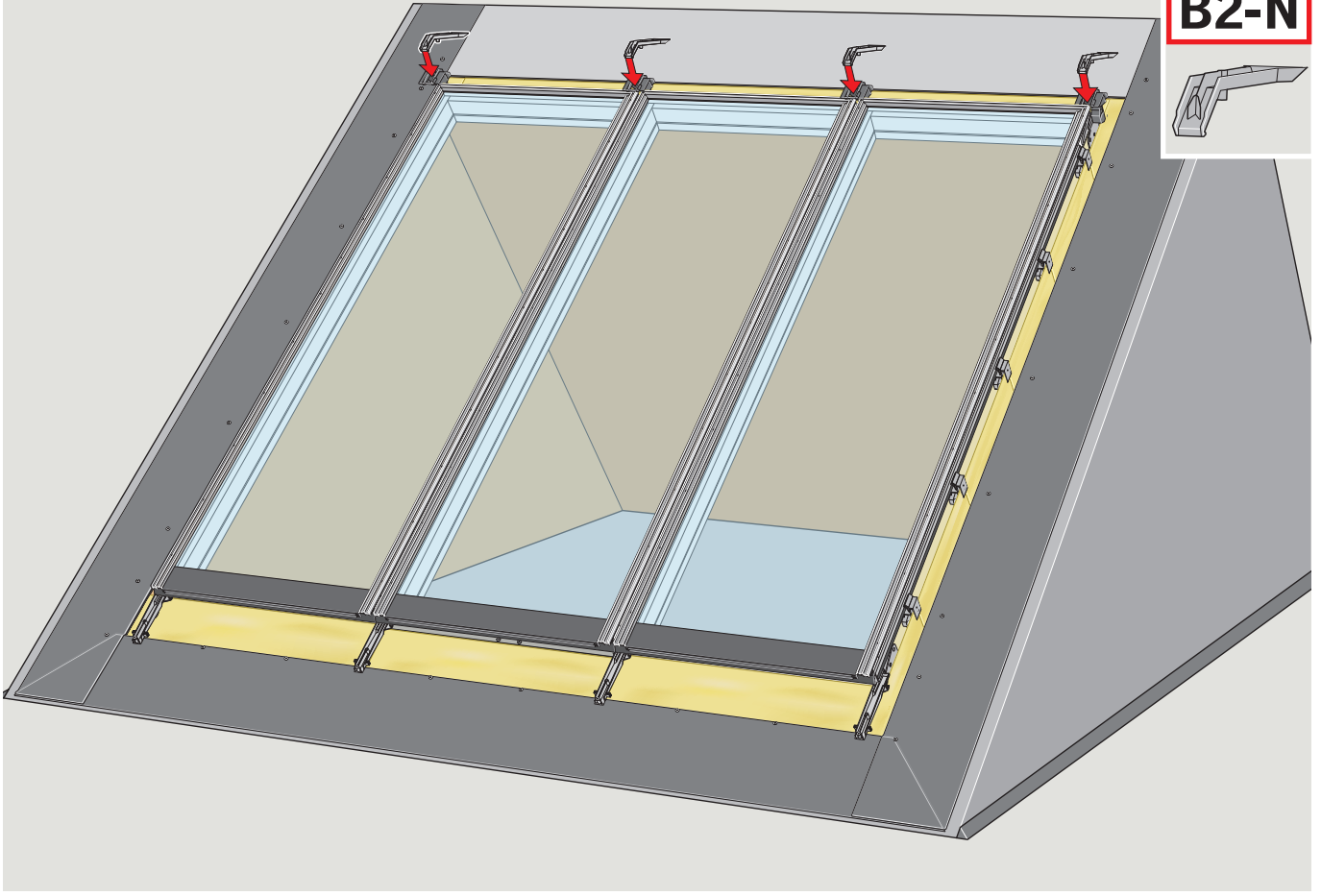
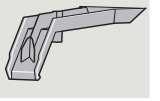
21

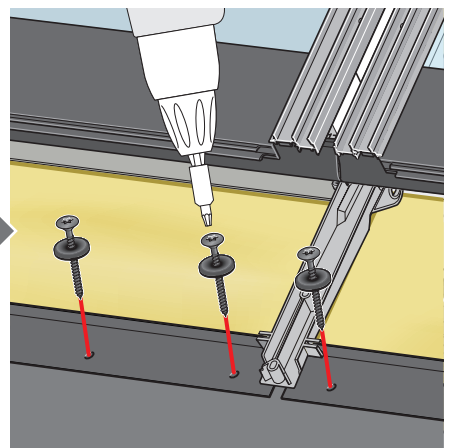
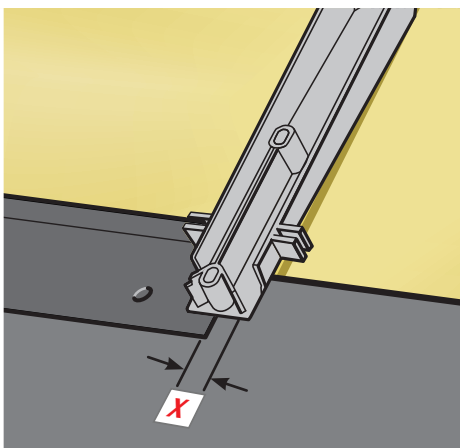
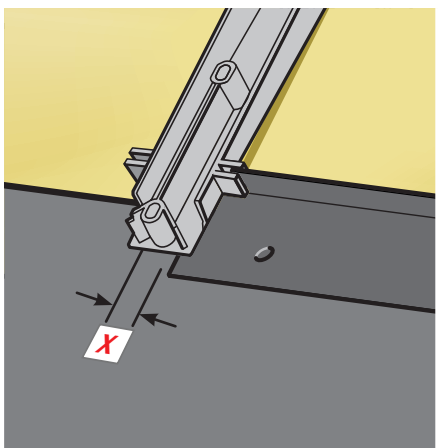
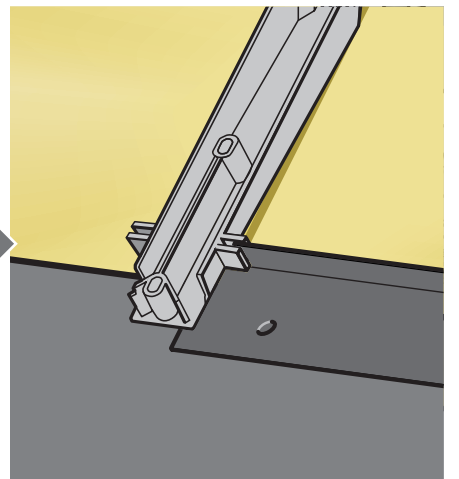
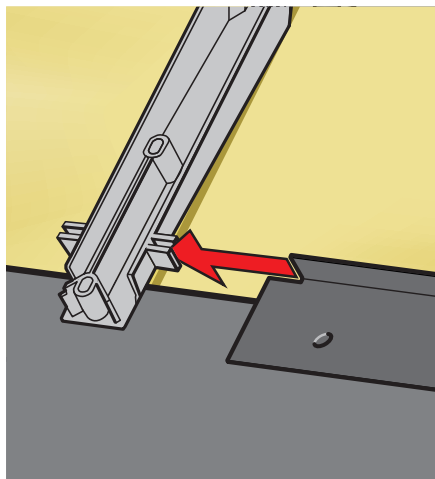
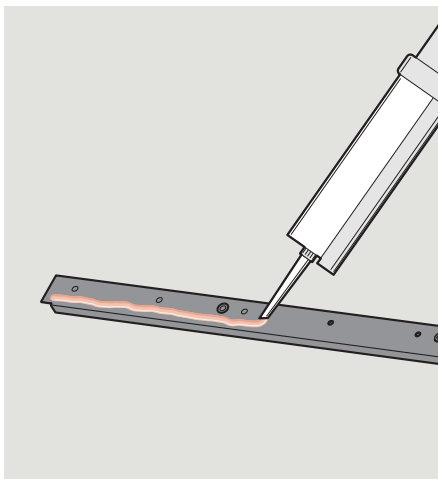
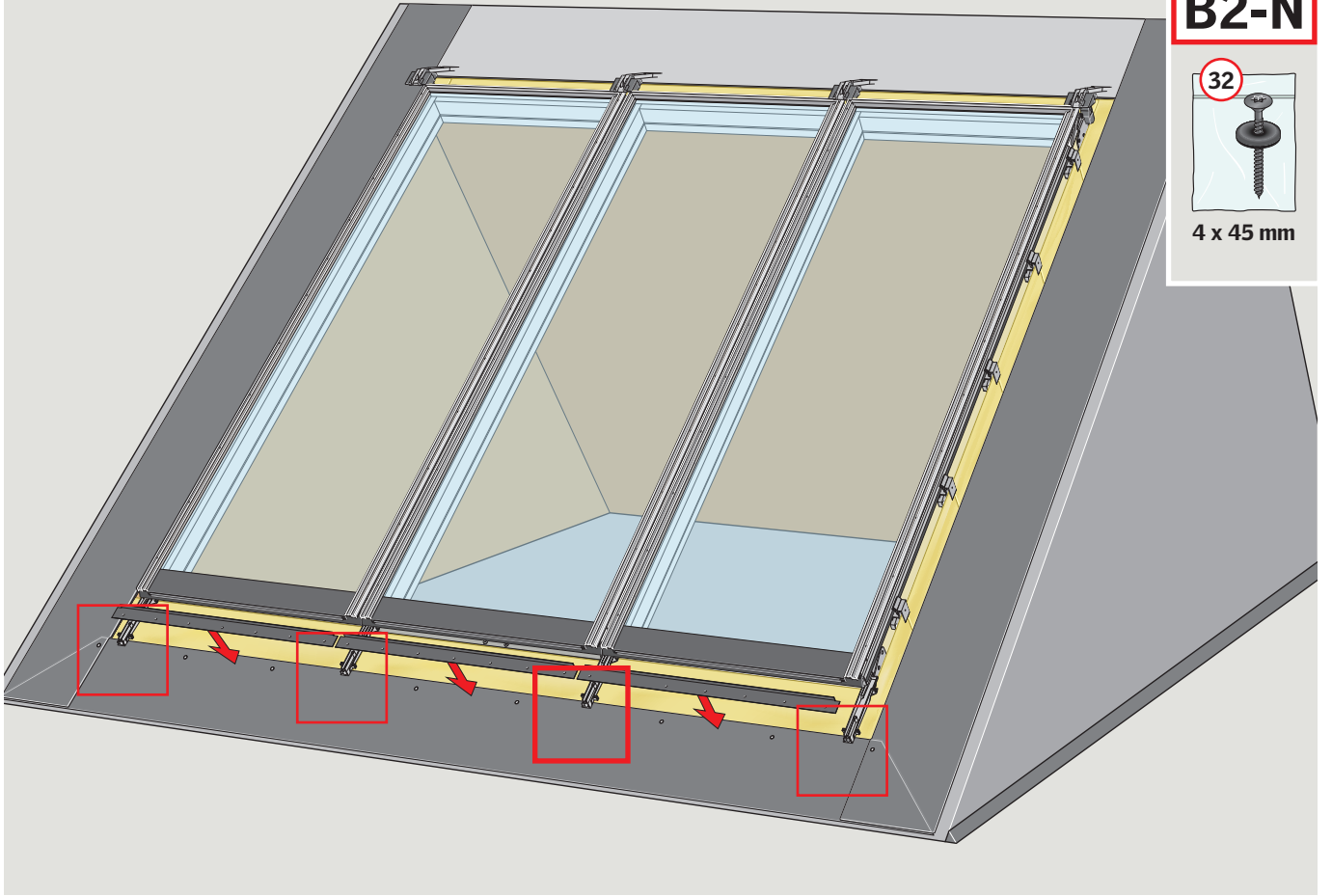
B1-N

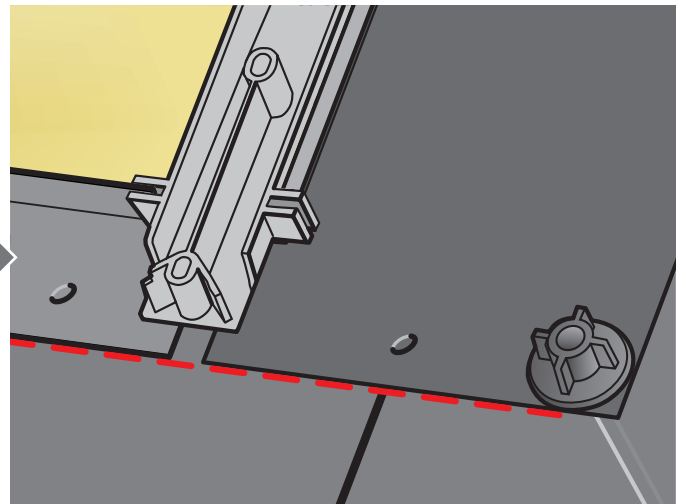
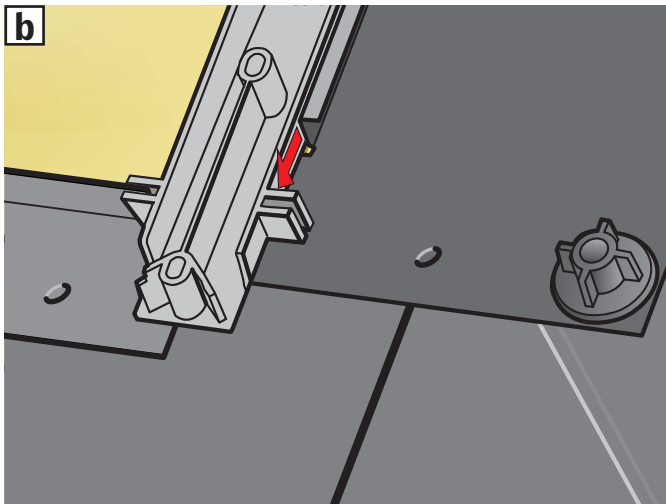
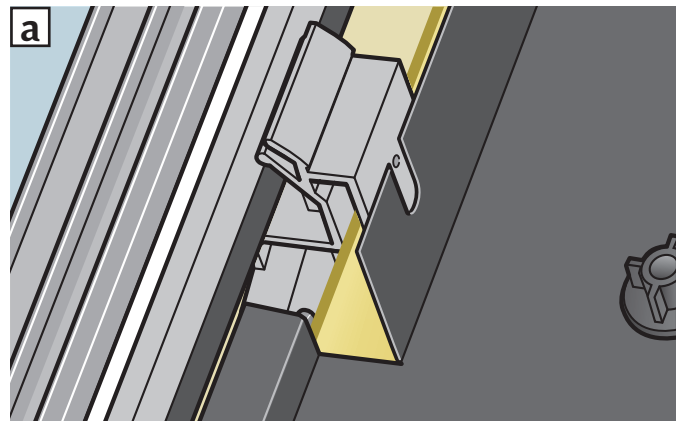
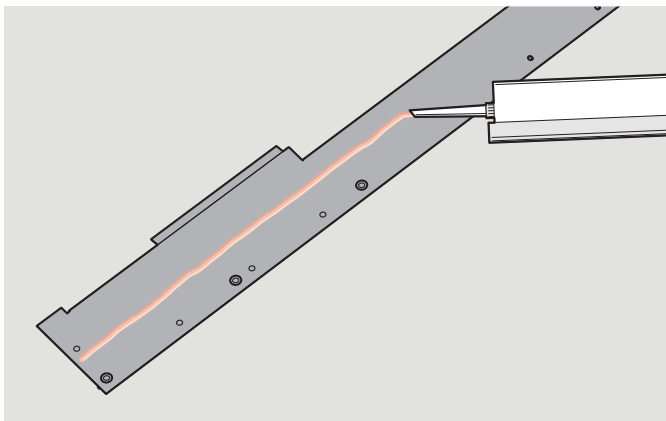
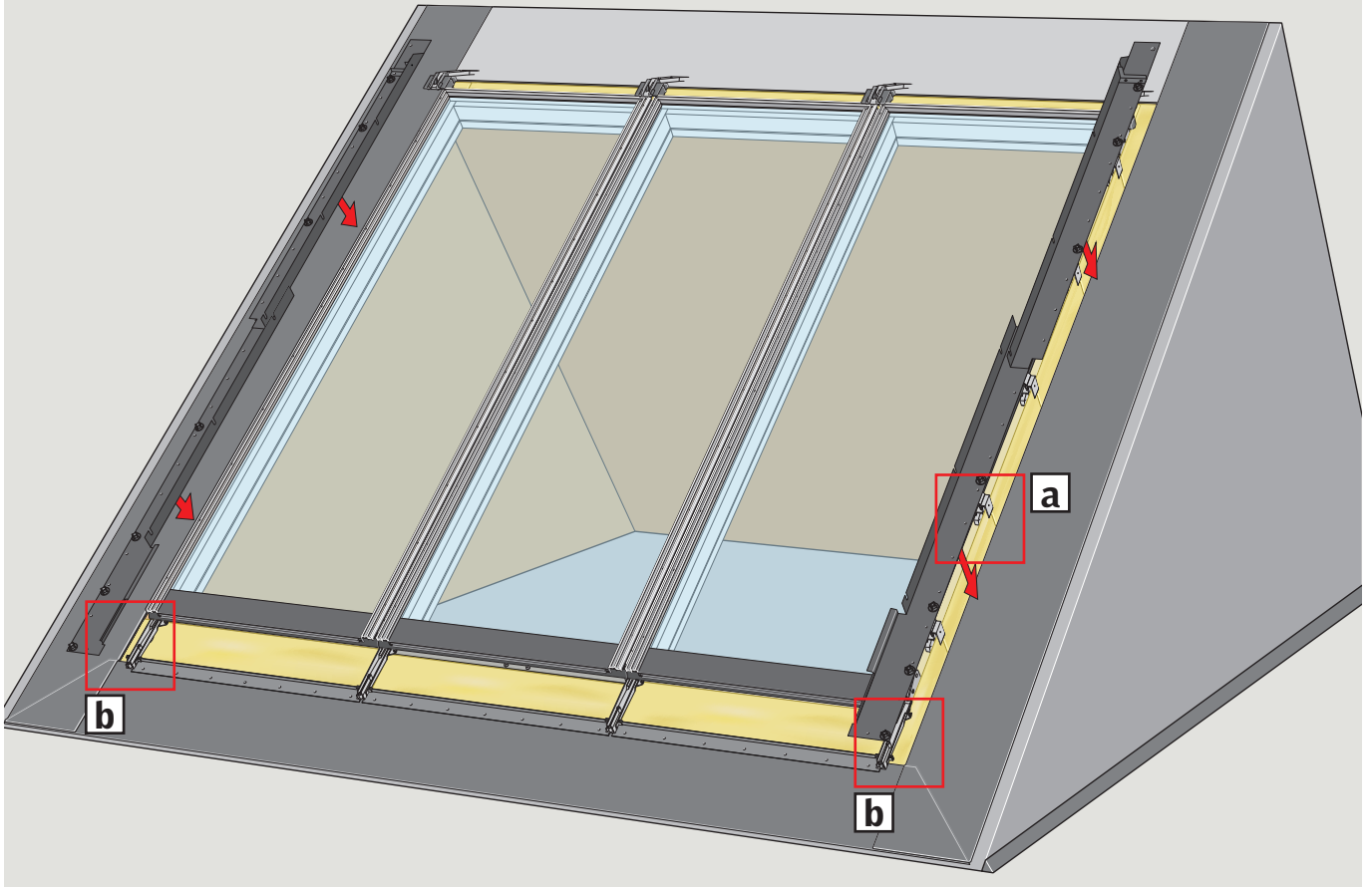
B2-N



B1-N
B2-N







25

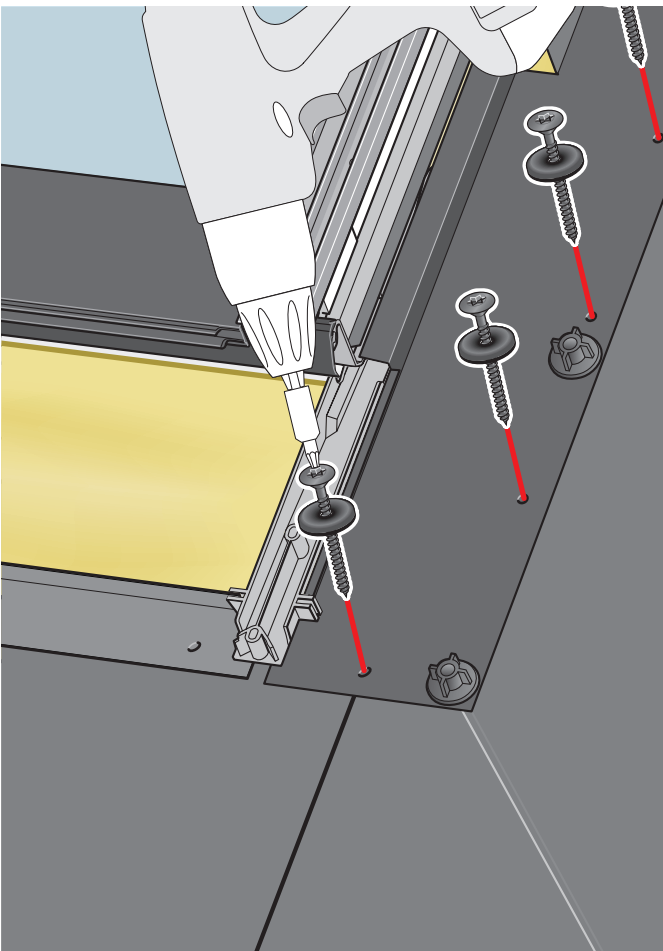
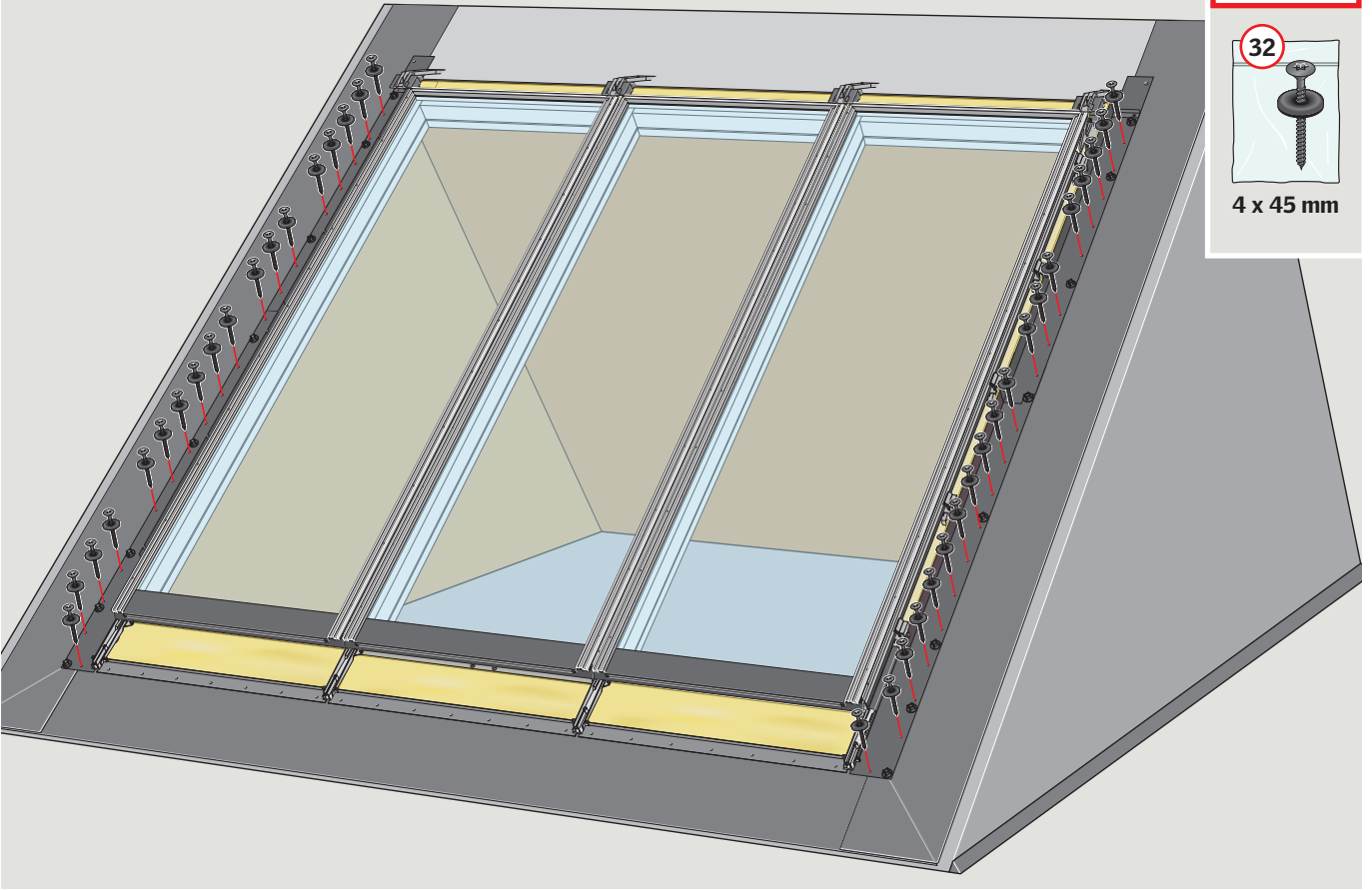
B1-N

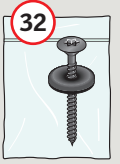
B2-N

32

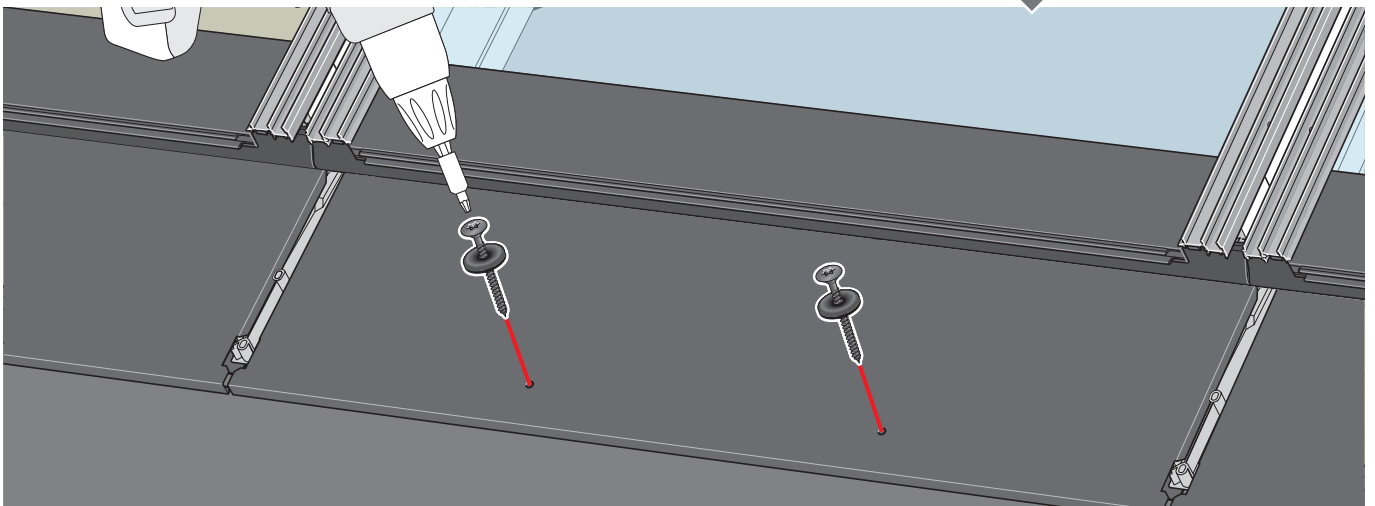
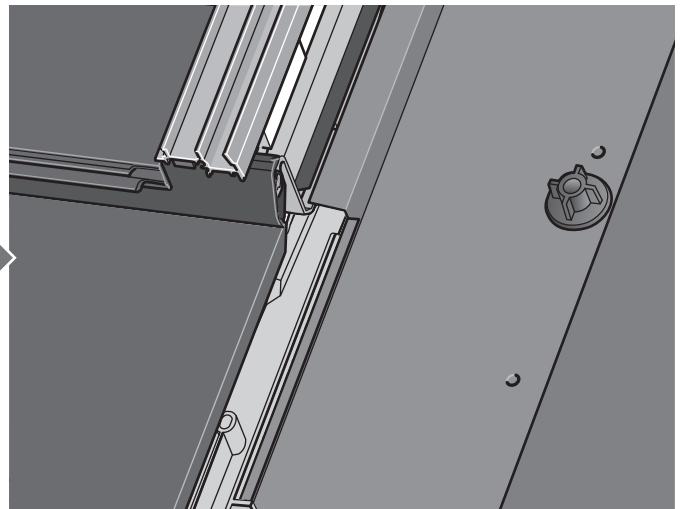
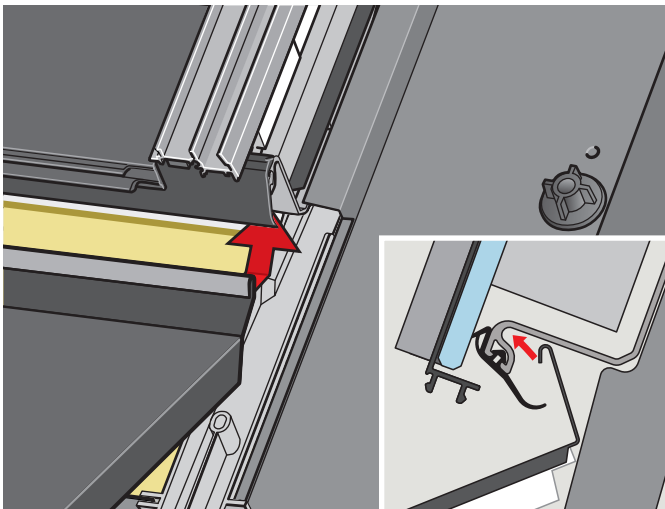
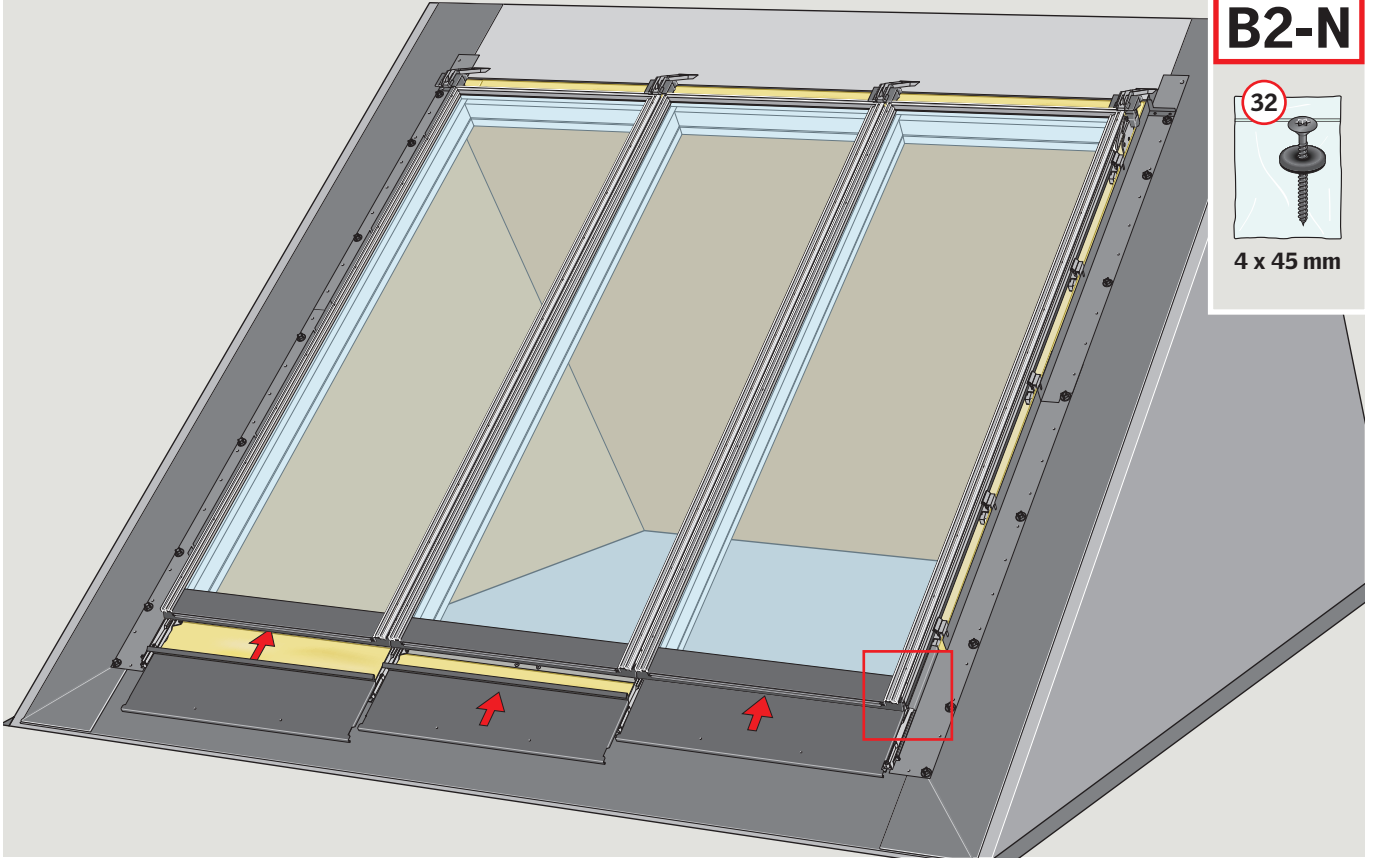


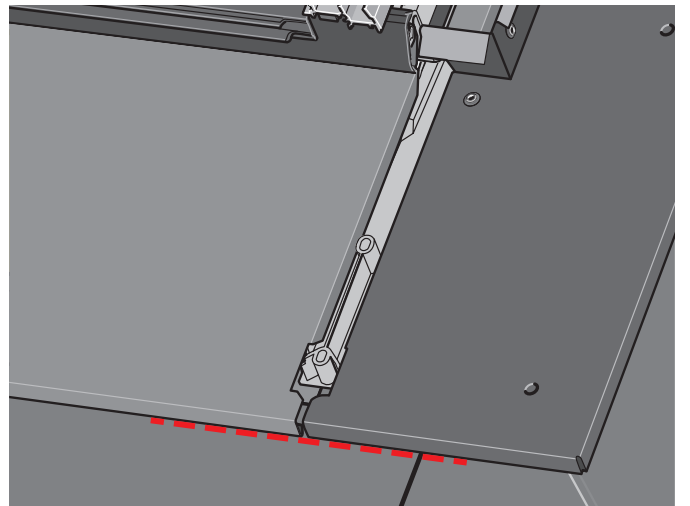
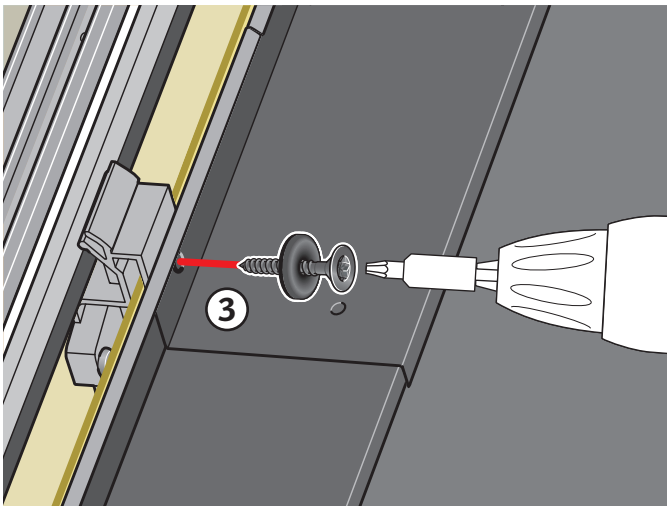
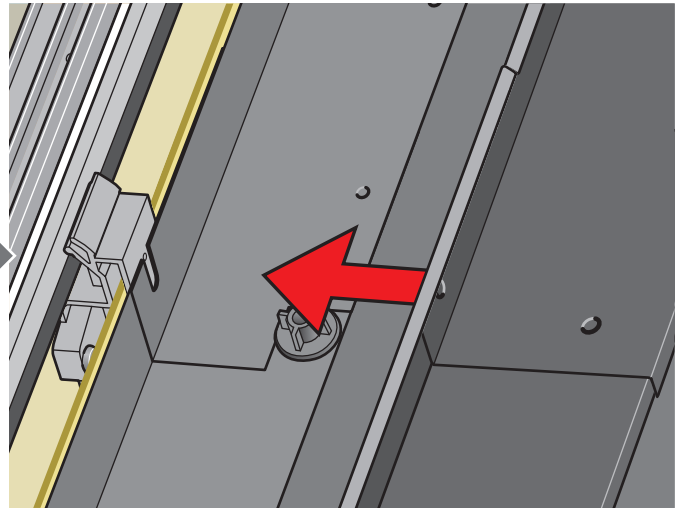
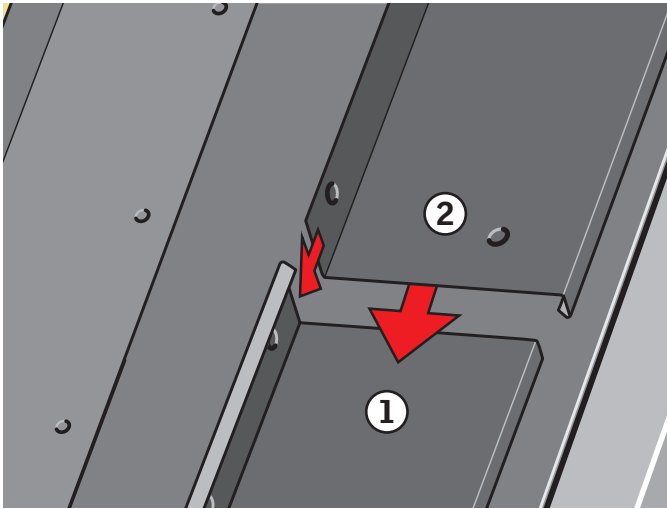
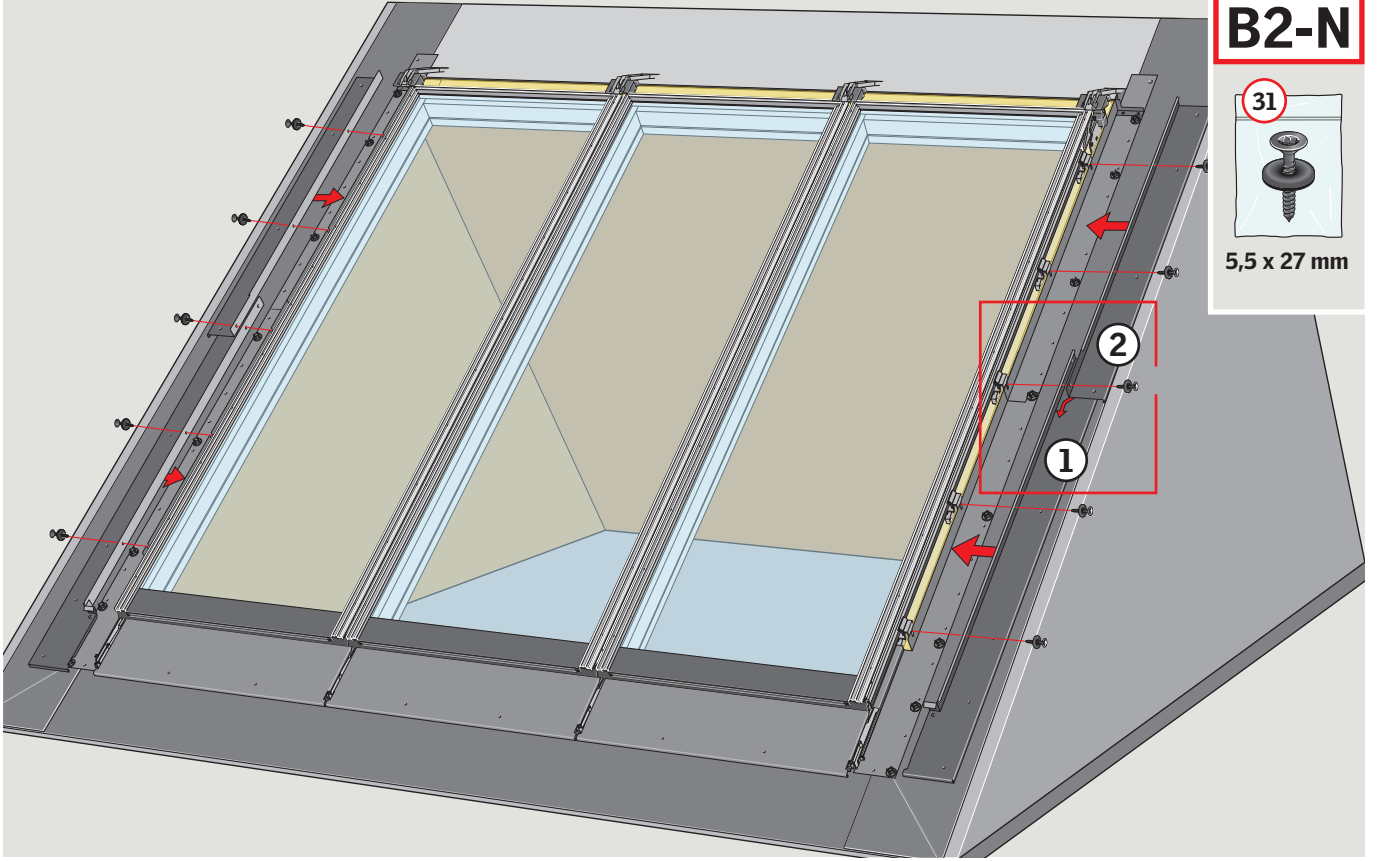
4 x 45 mm





4 x 45 mm





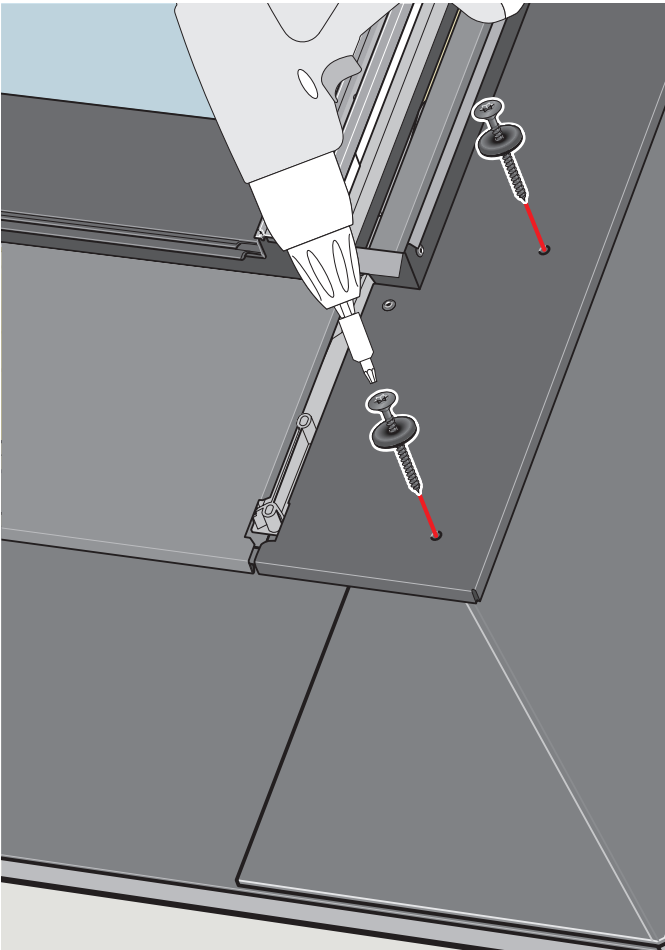
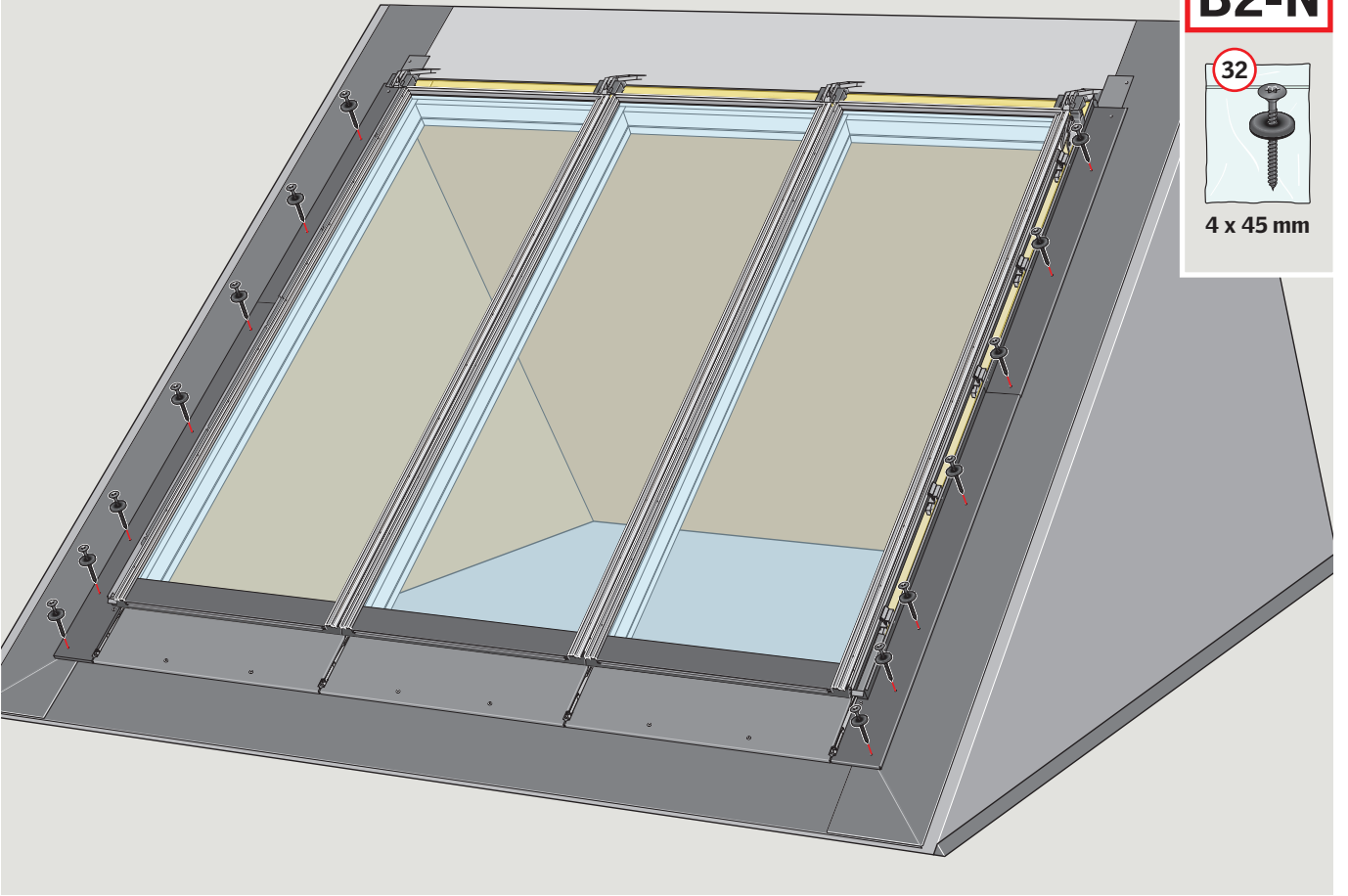
B1-N

B2-N

32



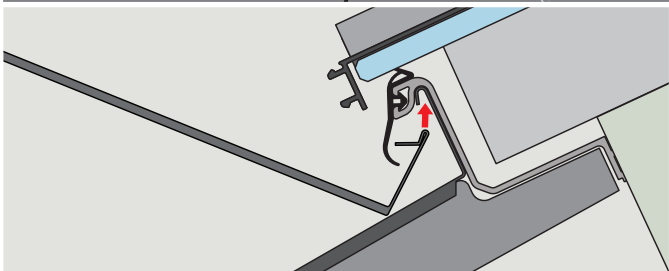
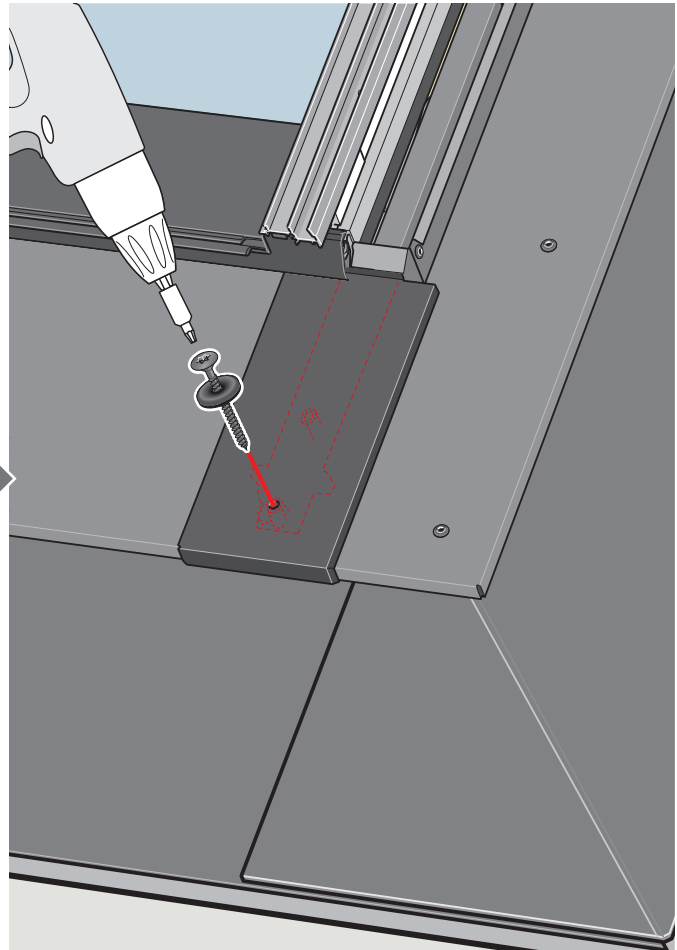
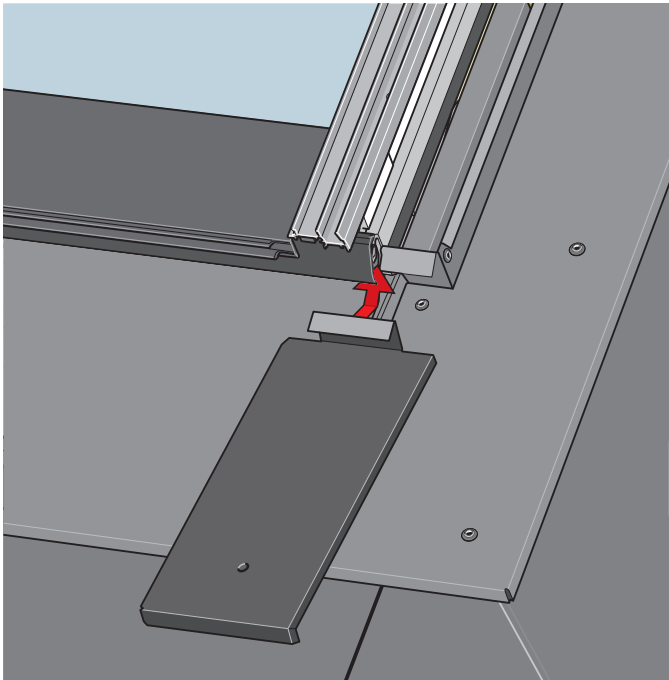
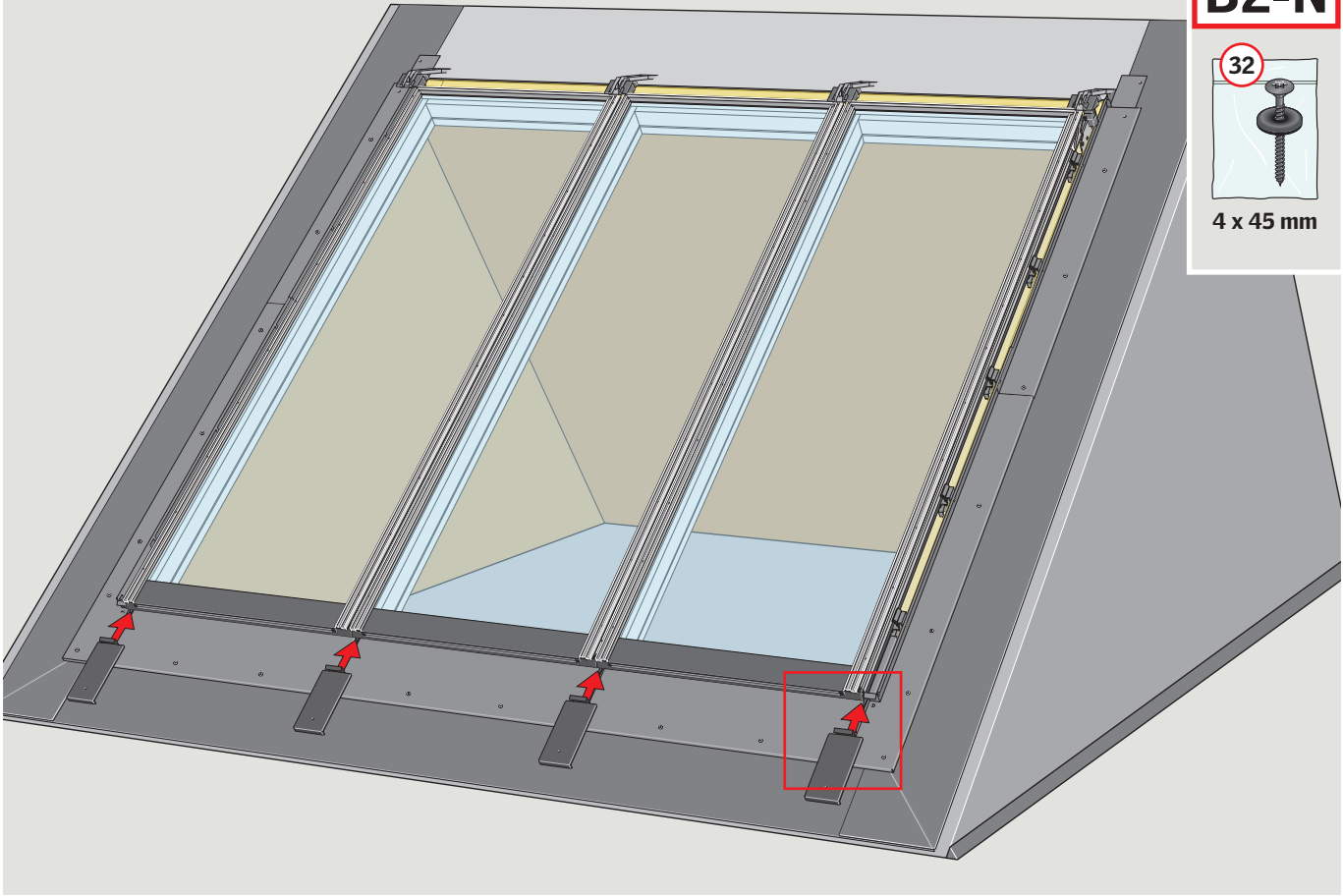
4 x 45 mm

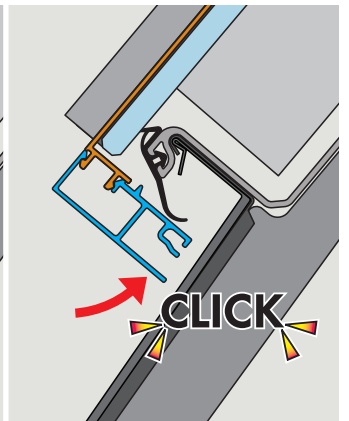
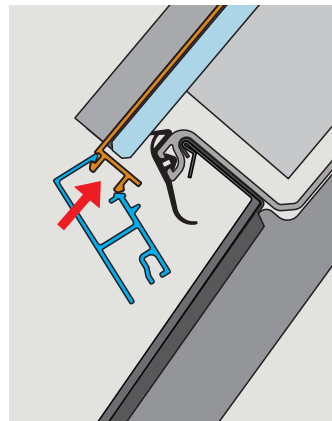
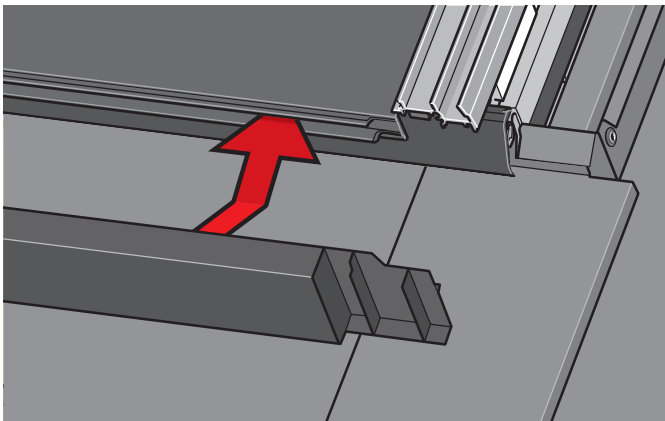
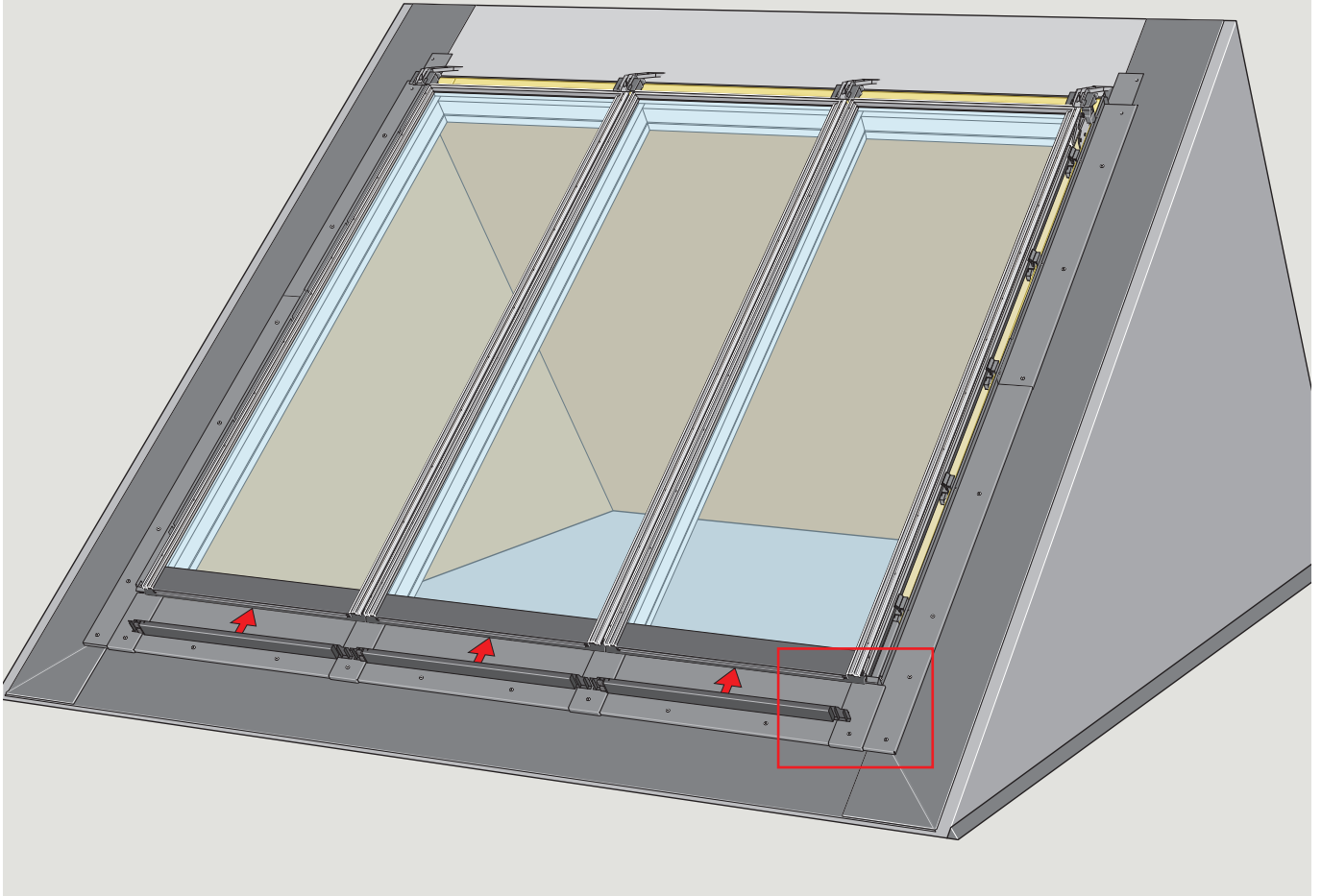


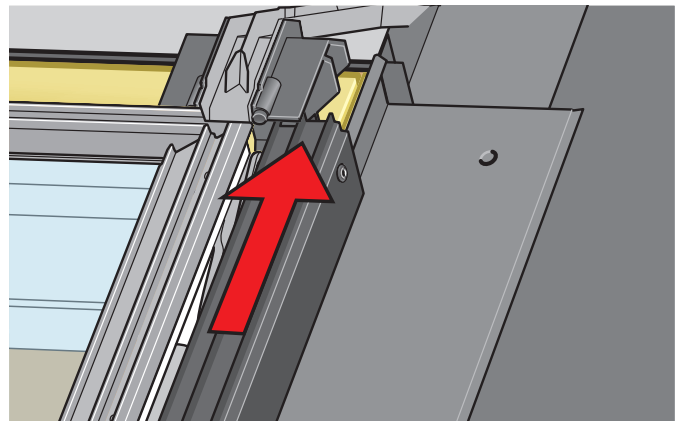
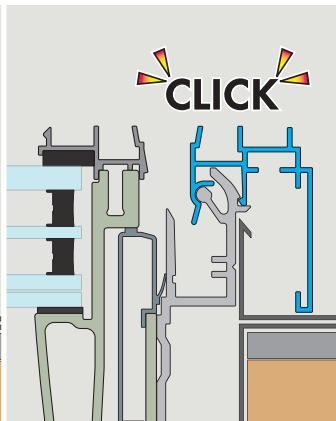
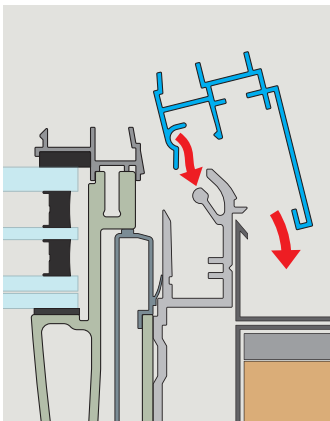
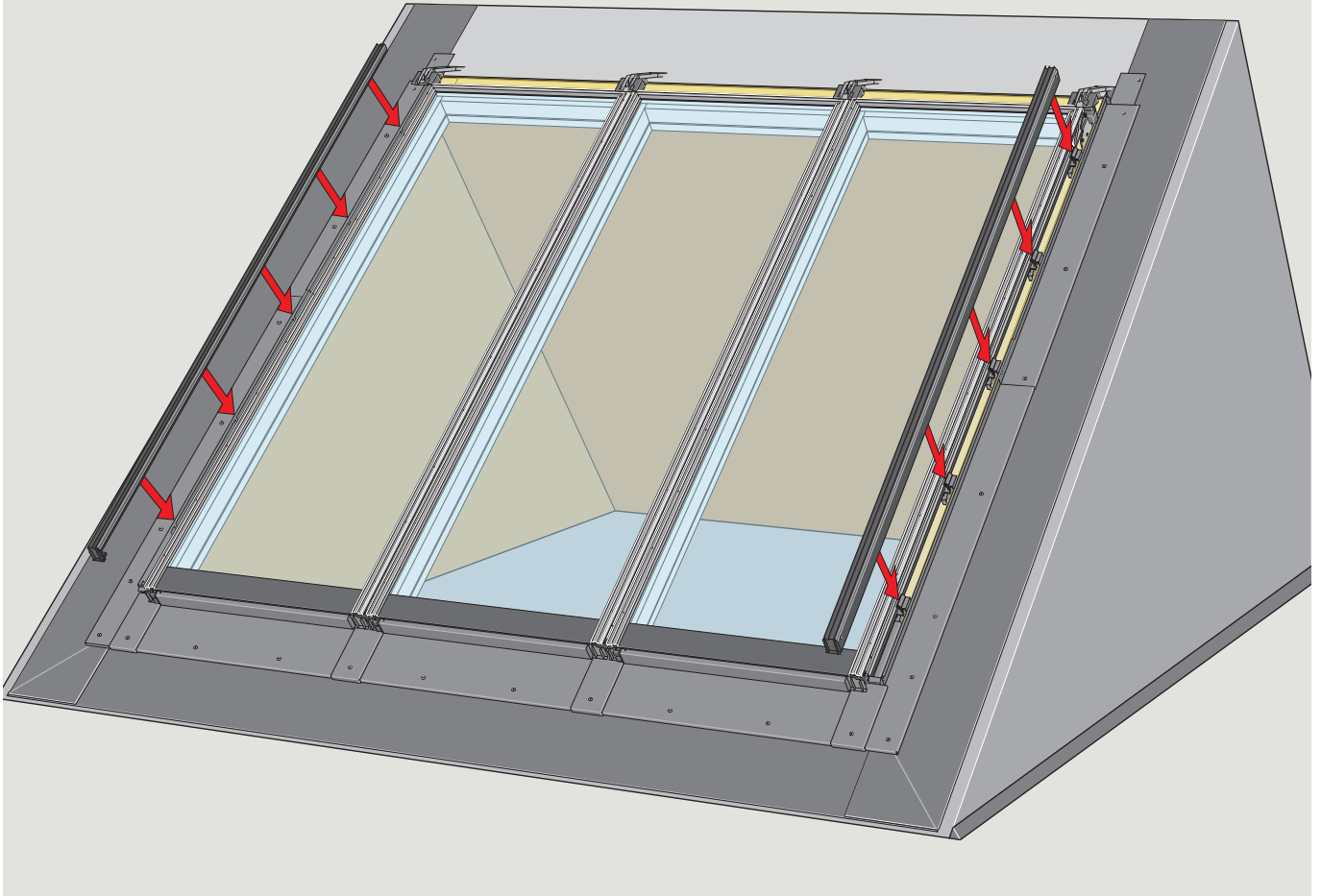
32



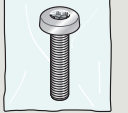
4 x 45 mm



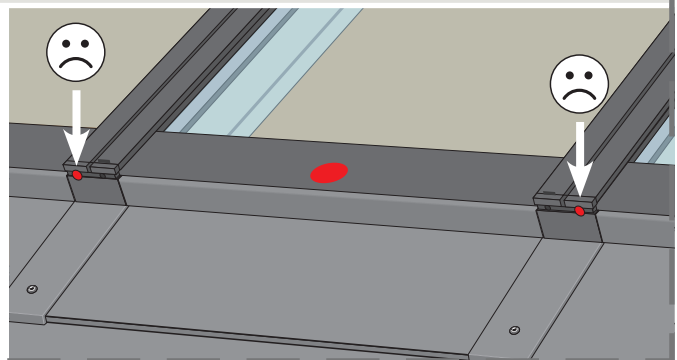
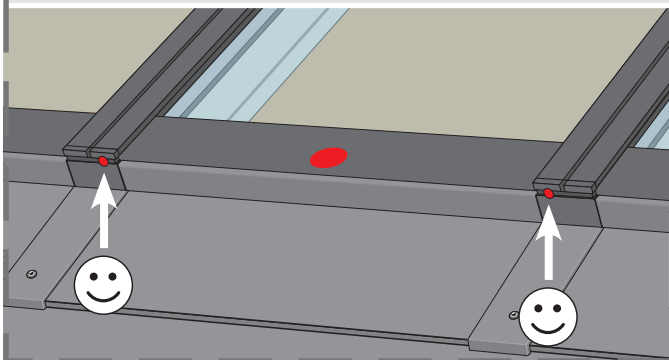
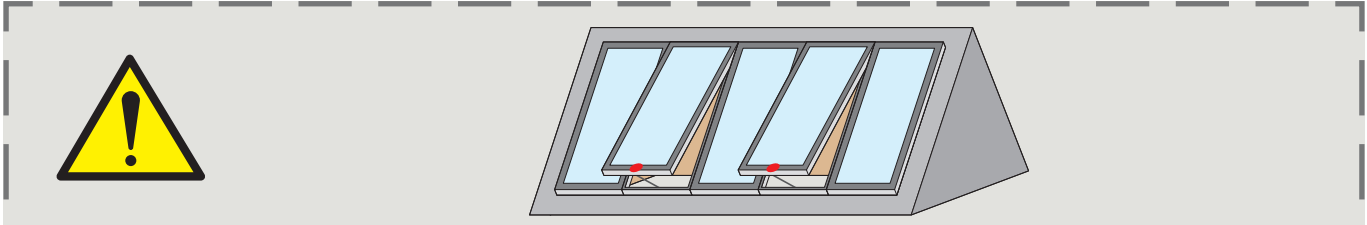
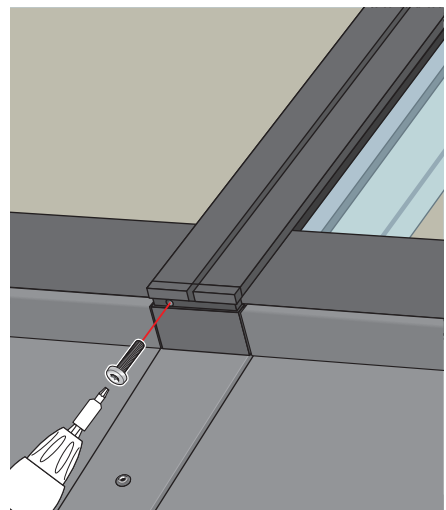
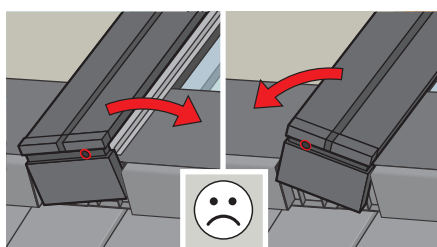
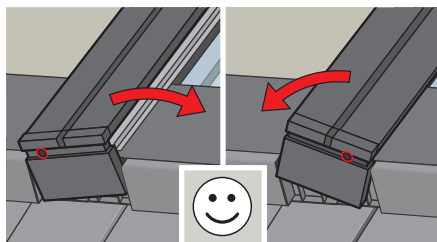
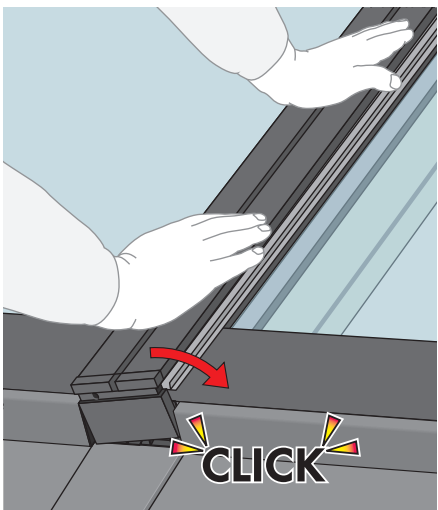
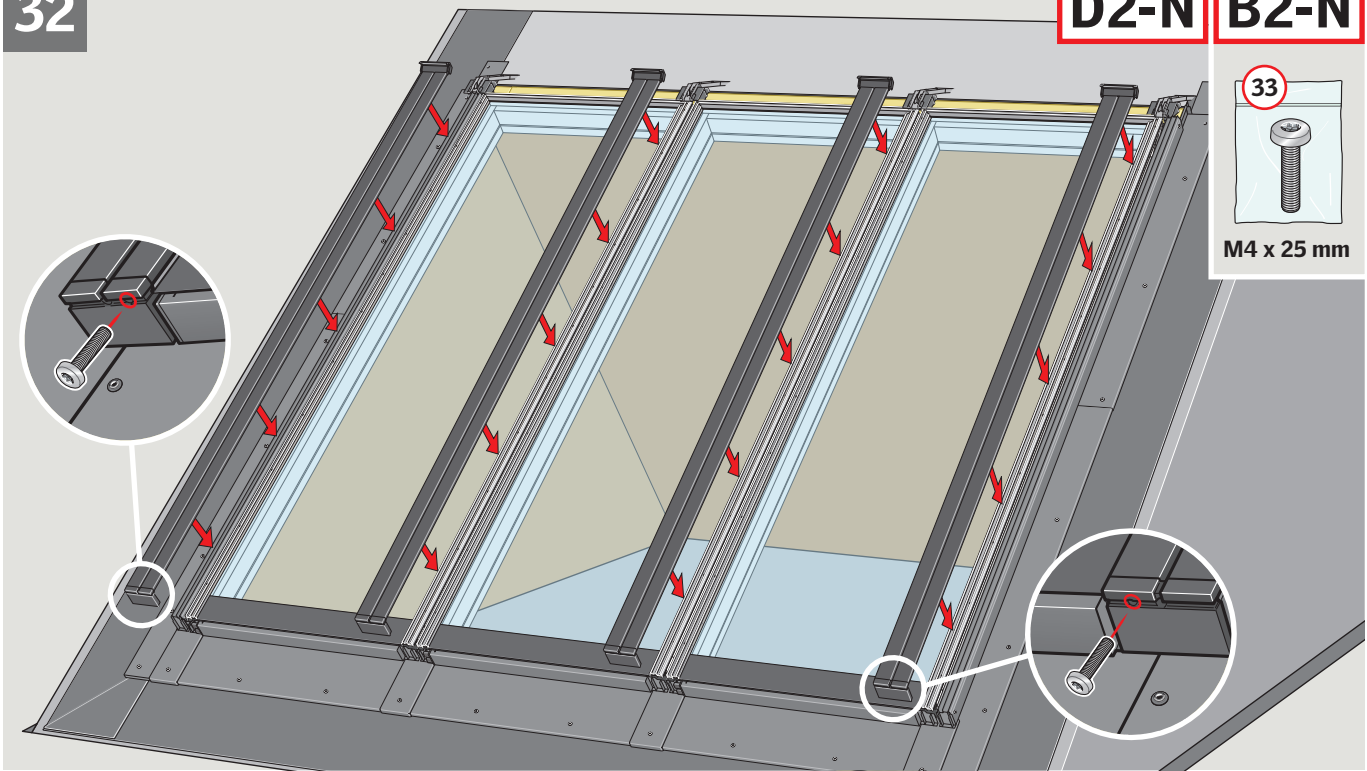


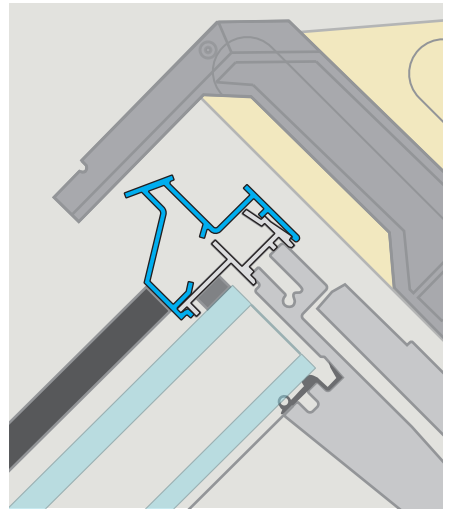
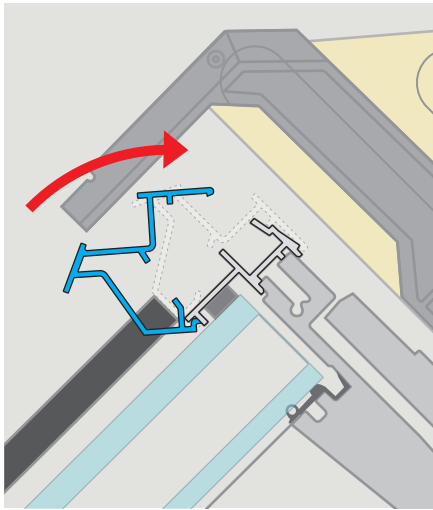
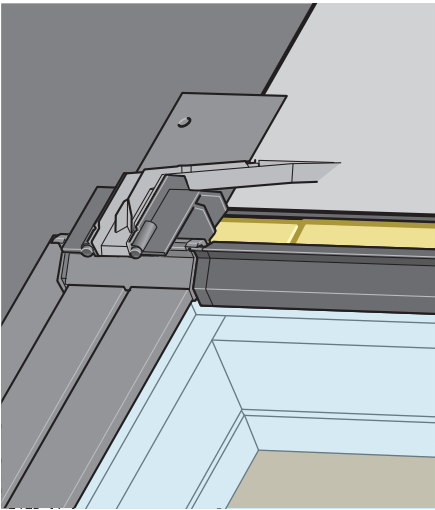
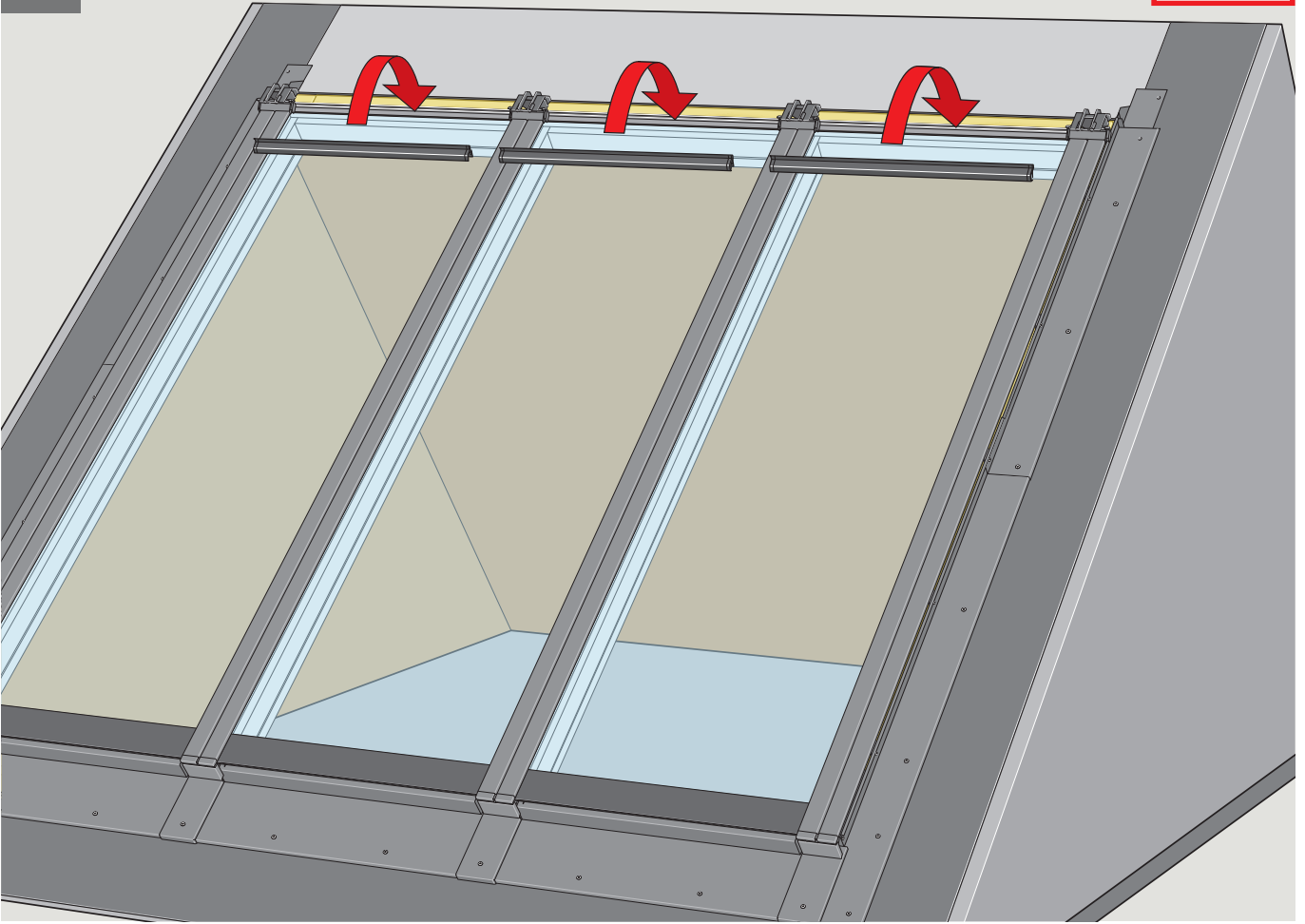


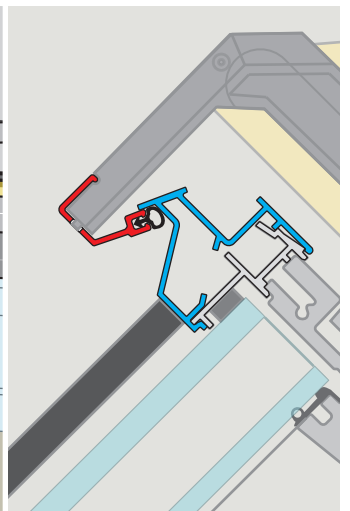
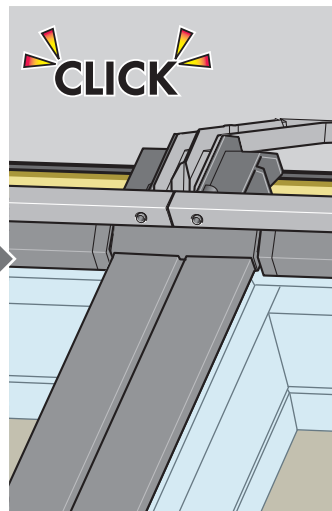
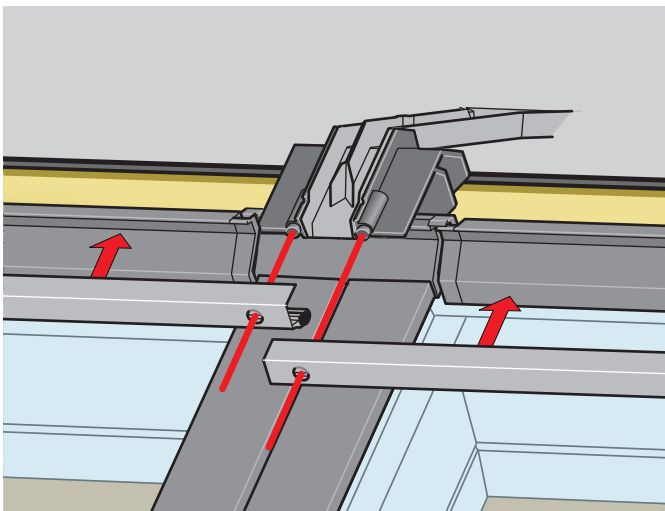
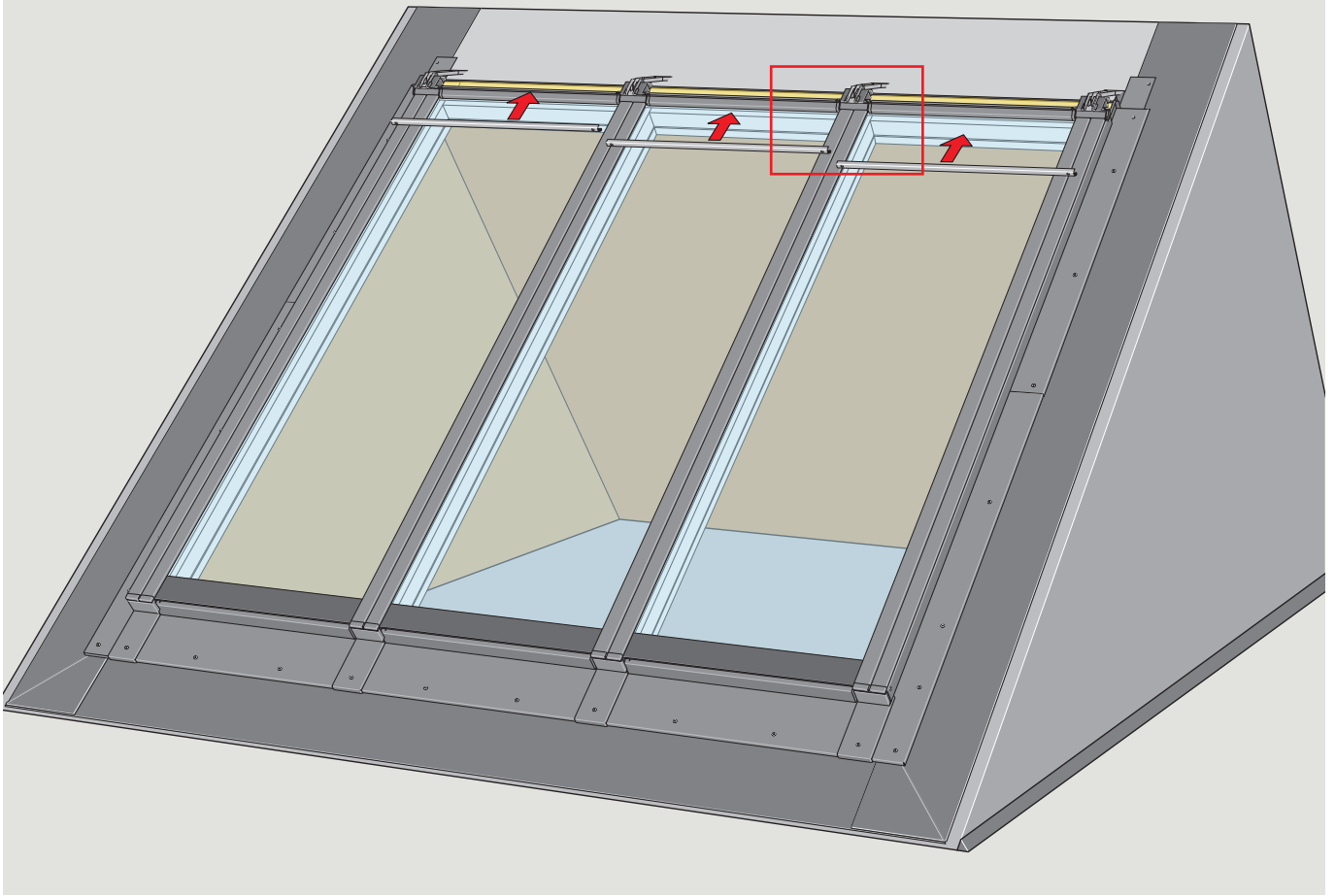
33



M4 x 25 mm







35

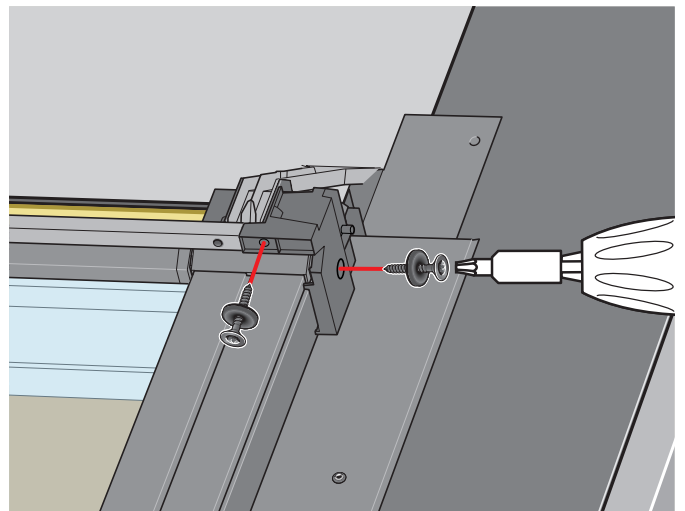
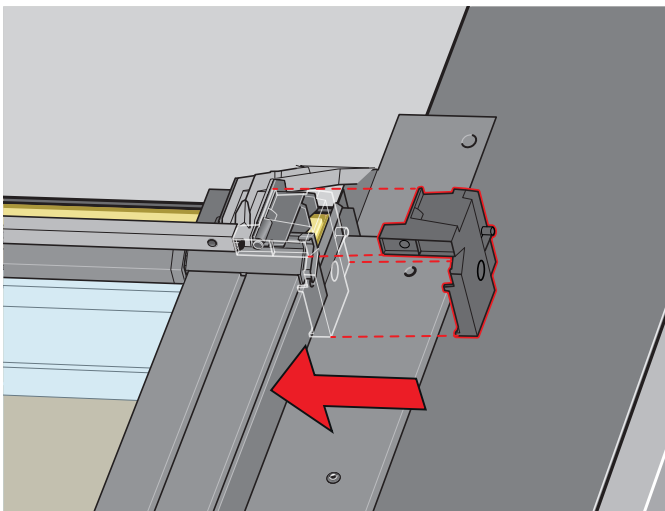
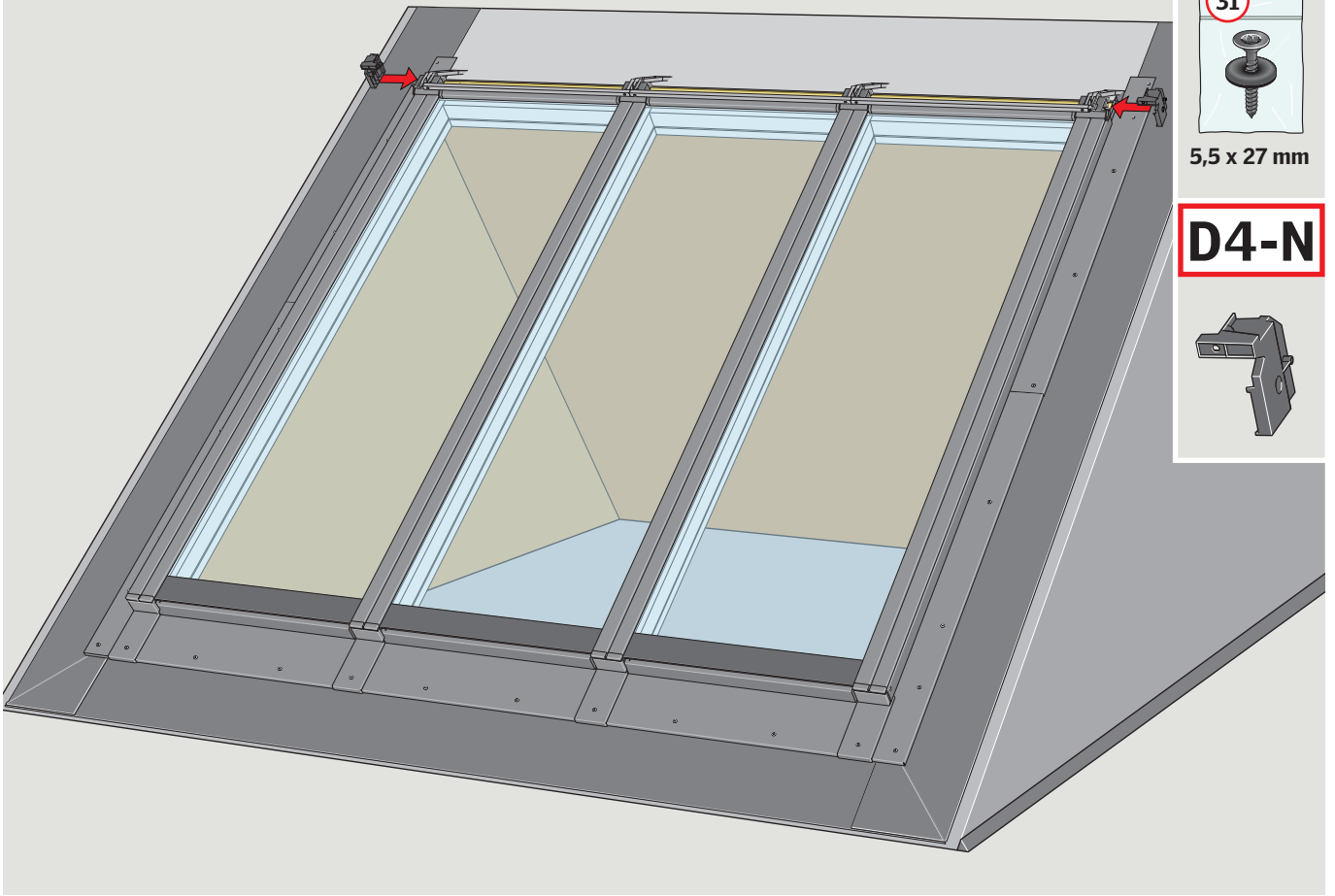
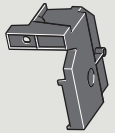
B1-N

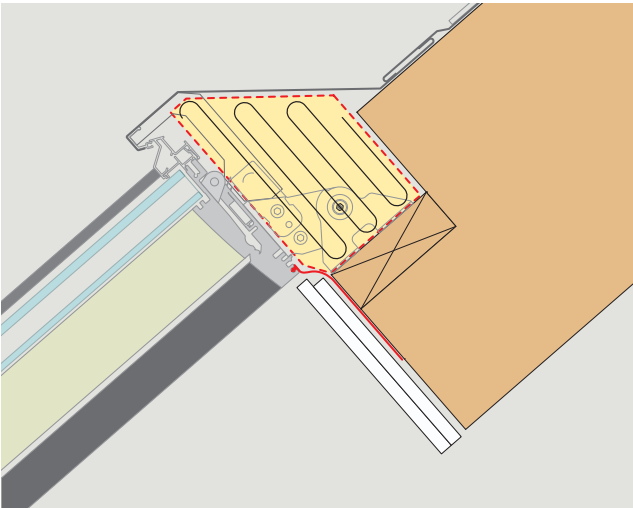
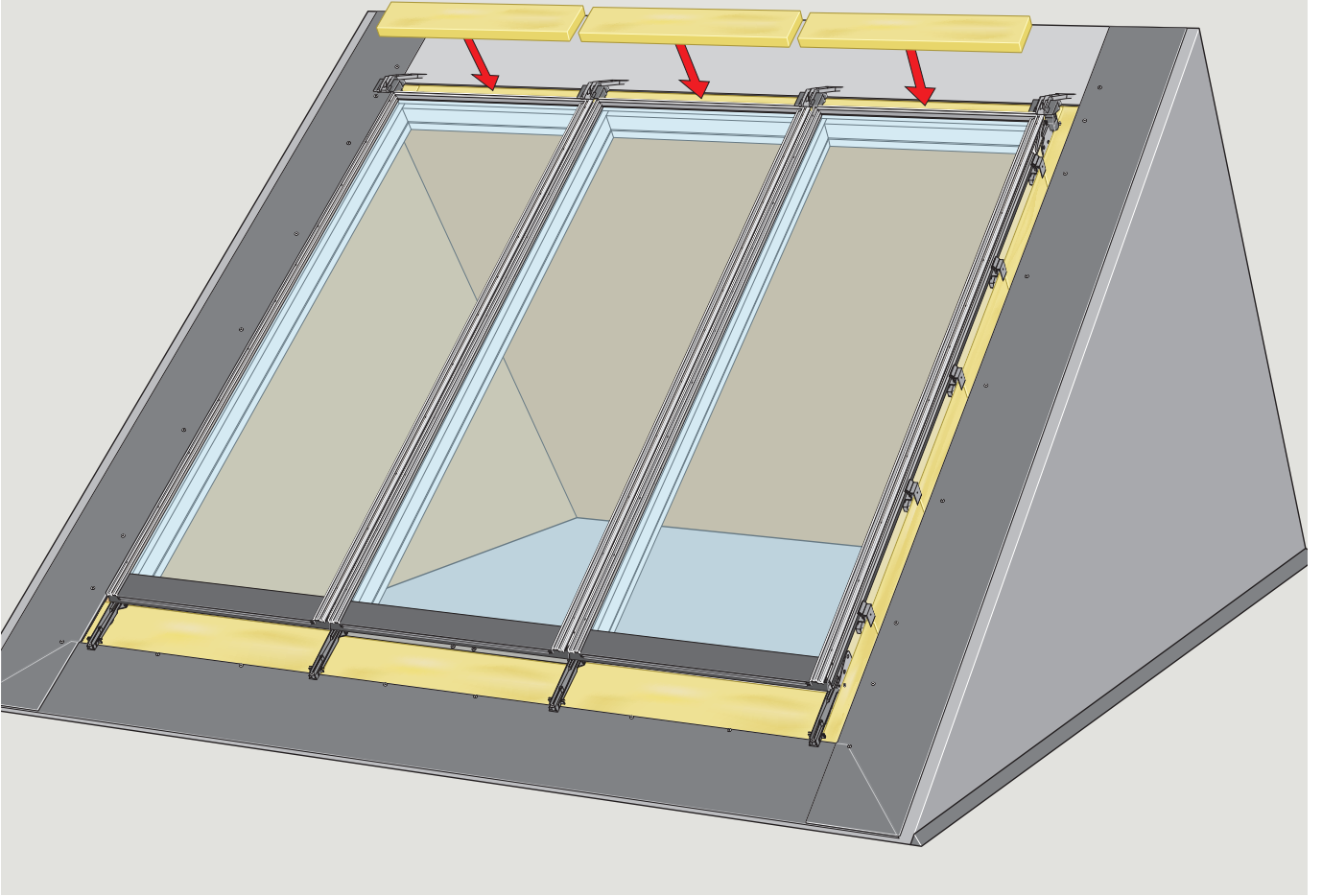
B2-N



5,5 x 27 mm

D4-N





37

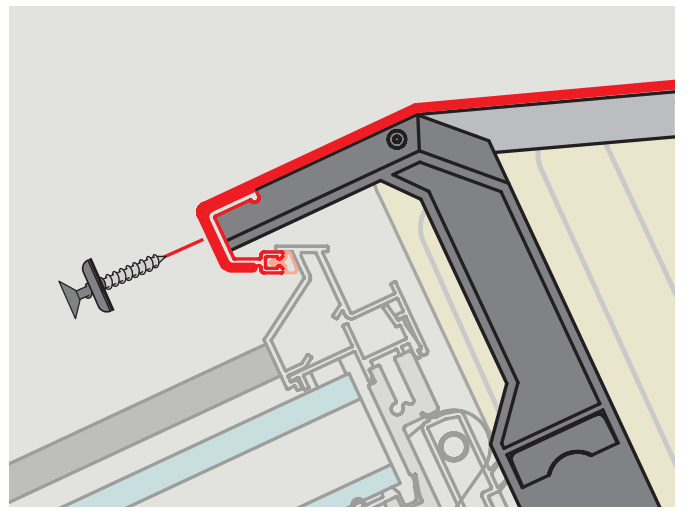
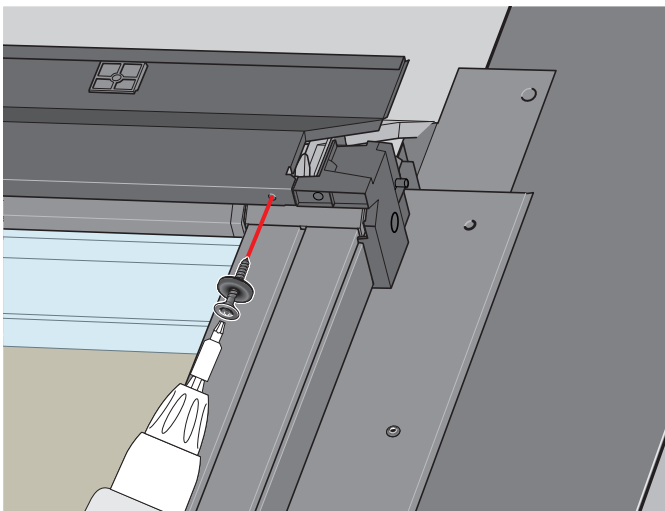
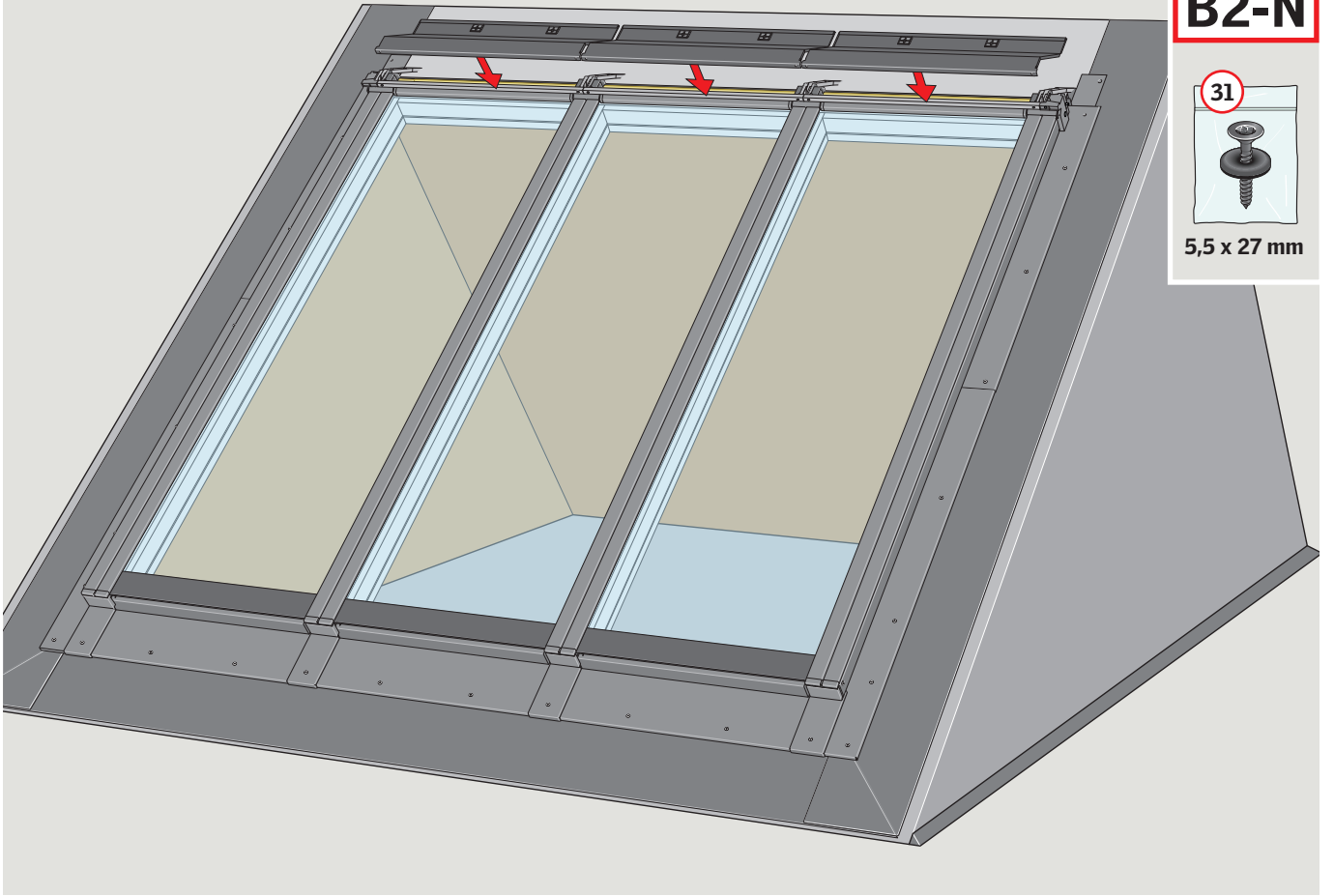
E1-N

B1-N

B2-N



5,5 x 27 mm



38

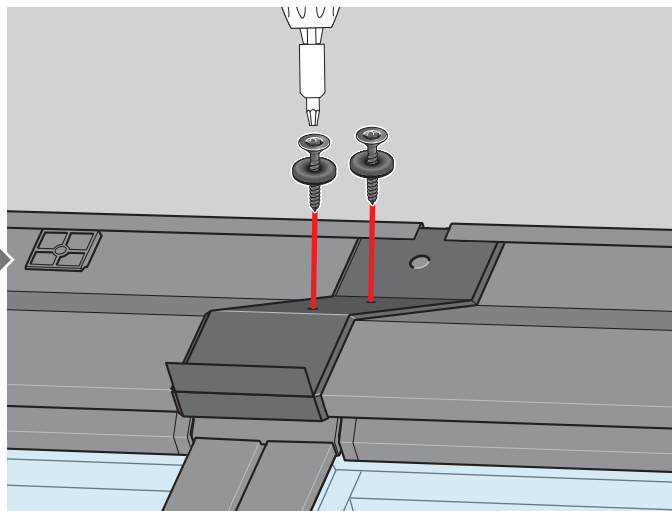
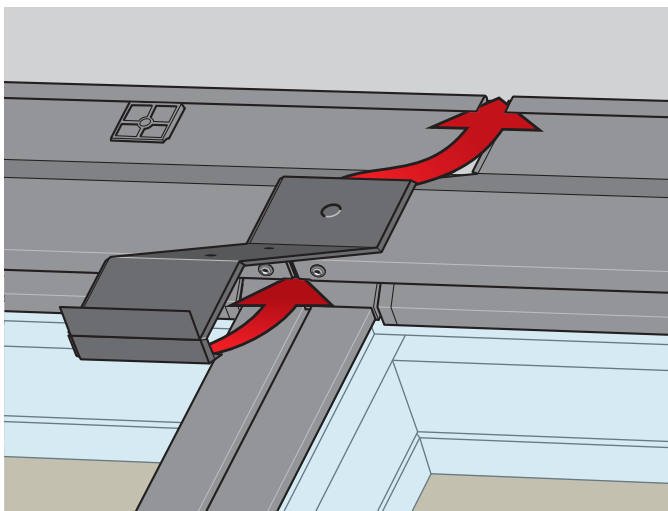
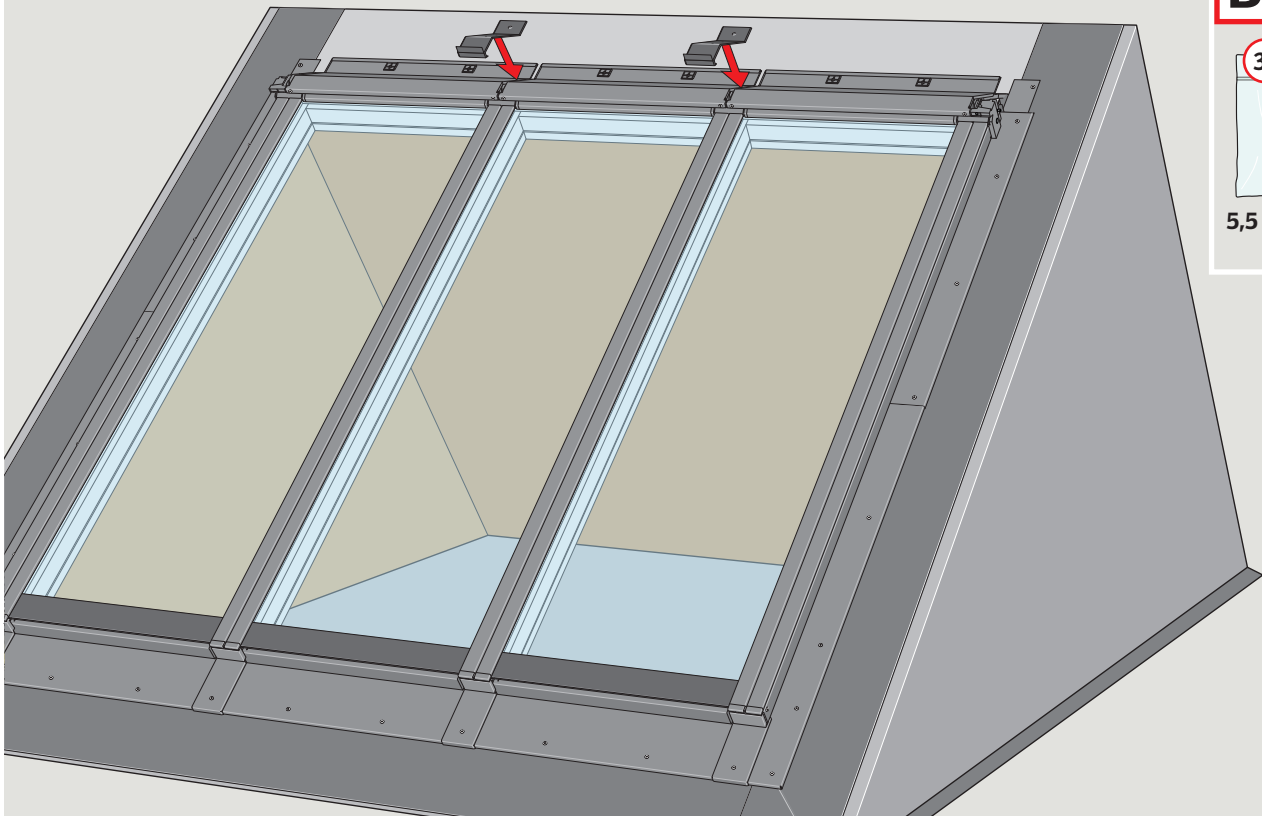
E1-N

B1-N

B2-N



5,5 x 27 mm

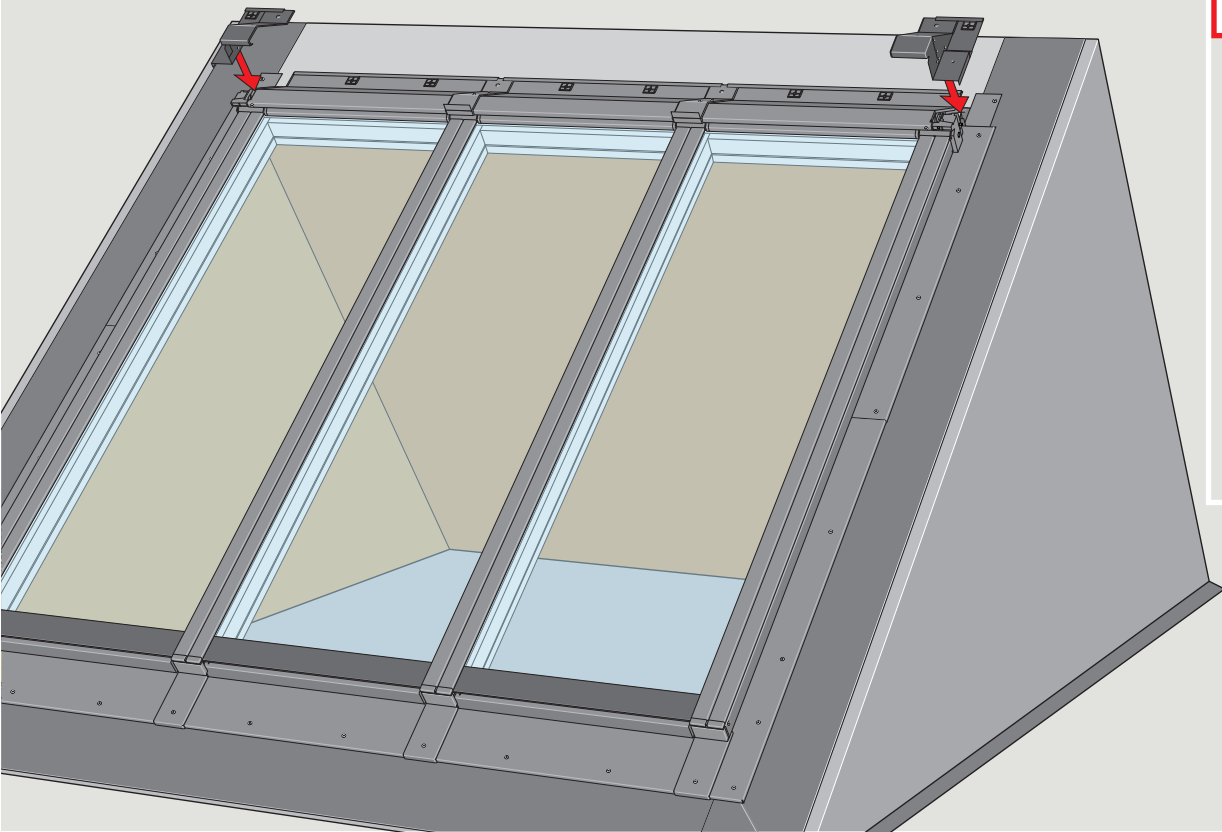


39

E2-N

B1-N

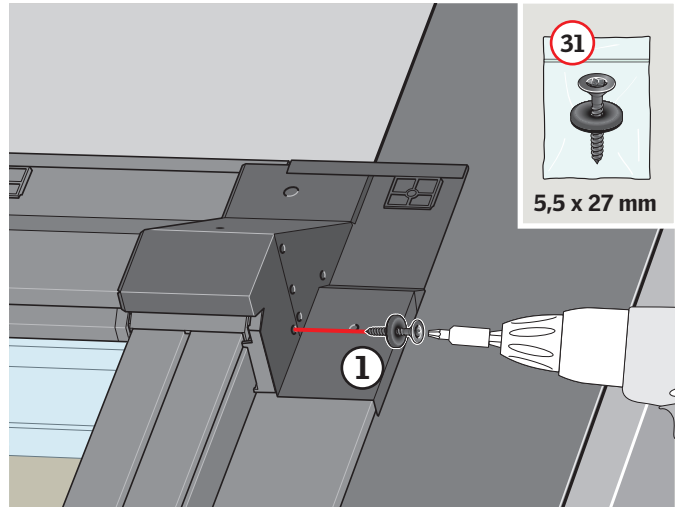
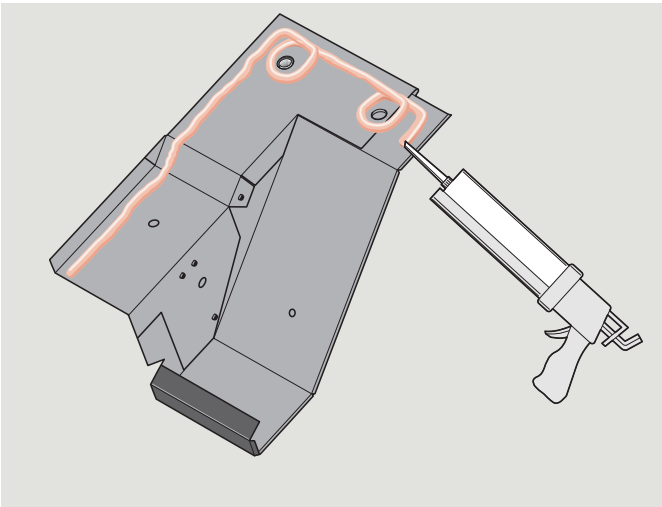
B2-N



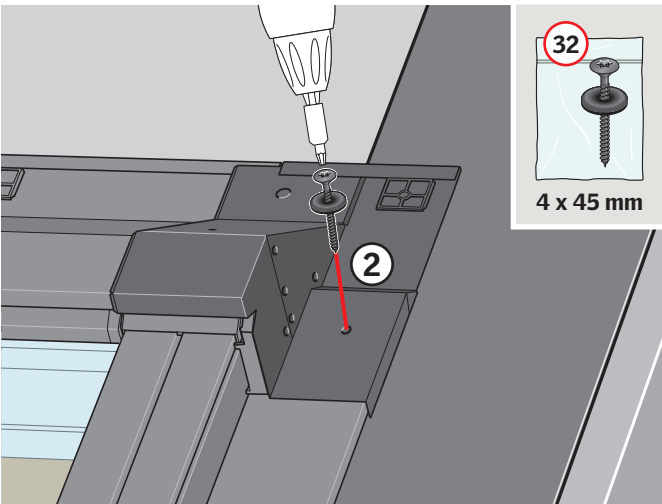
5,5 x 27 mm



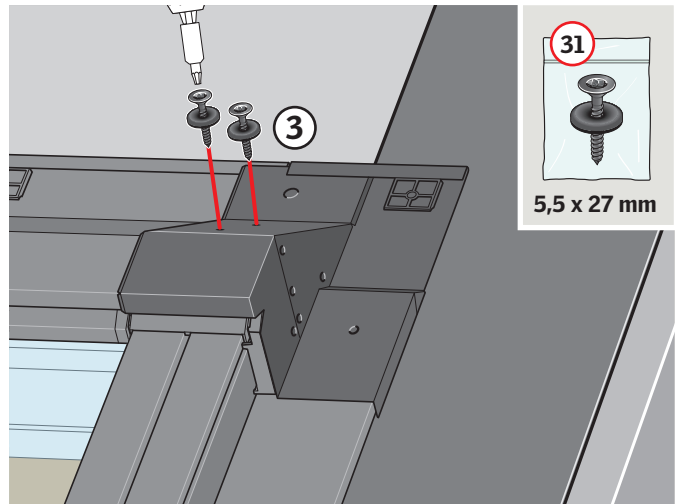
4 x 45 mm



5,5 x 27 mm



4 x 45 mm



5,5 x 27 mm

40

E1-N

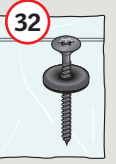
B1-N

E2-N

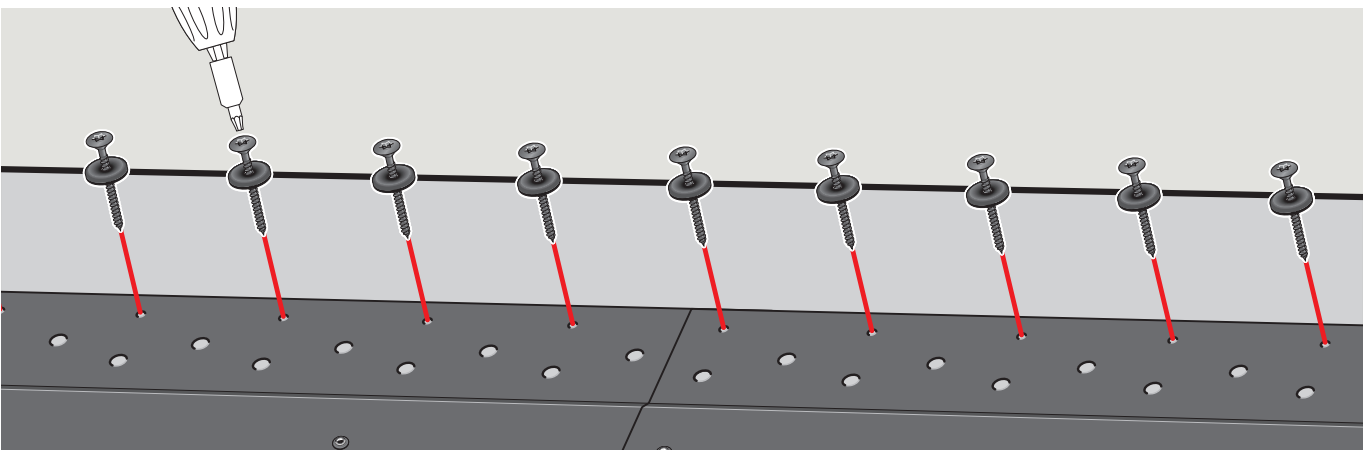
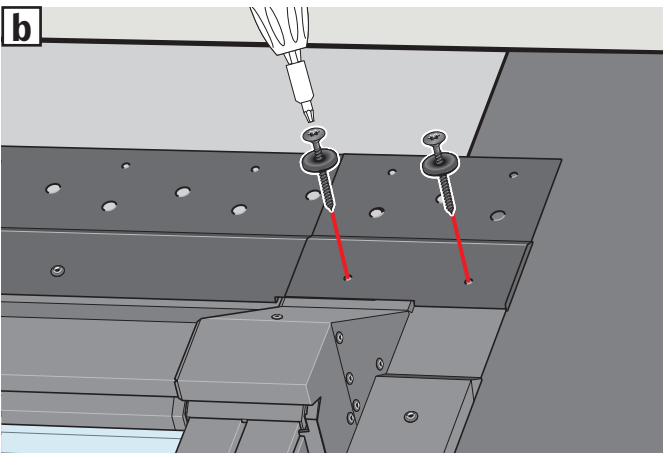
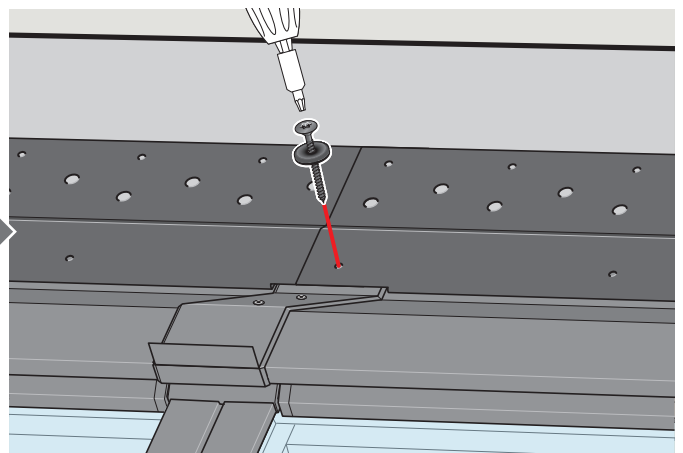
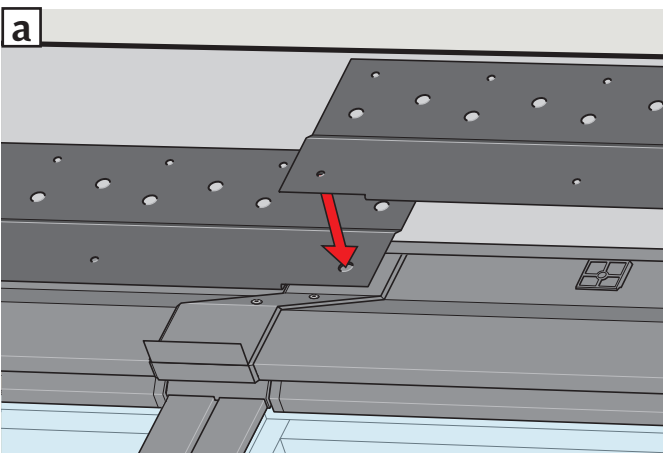
B2-N

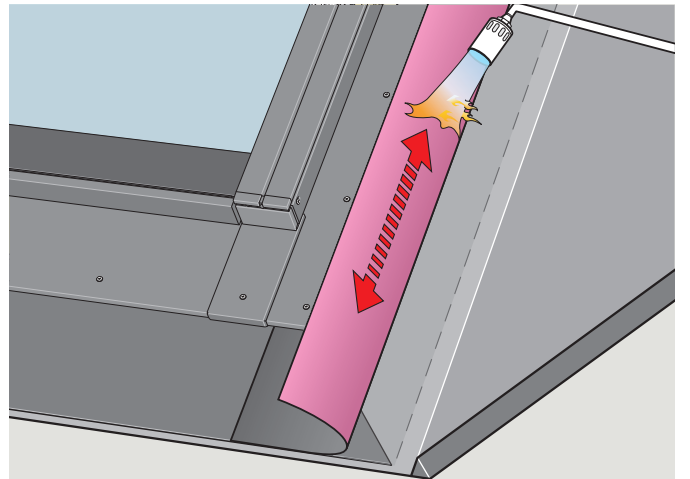
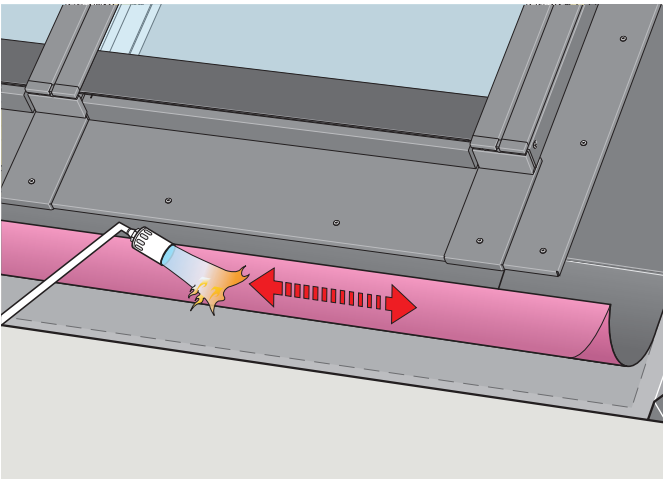
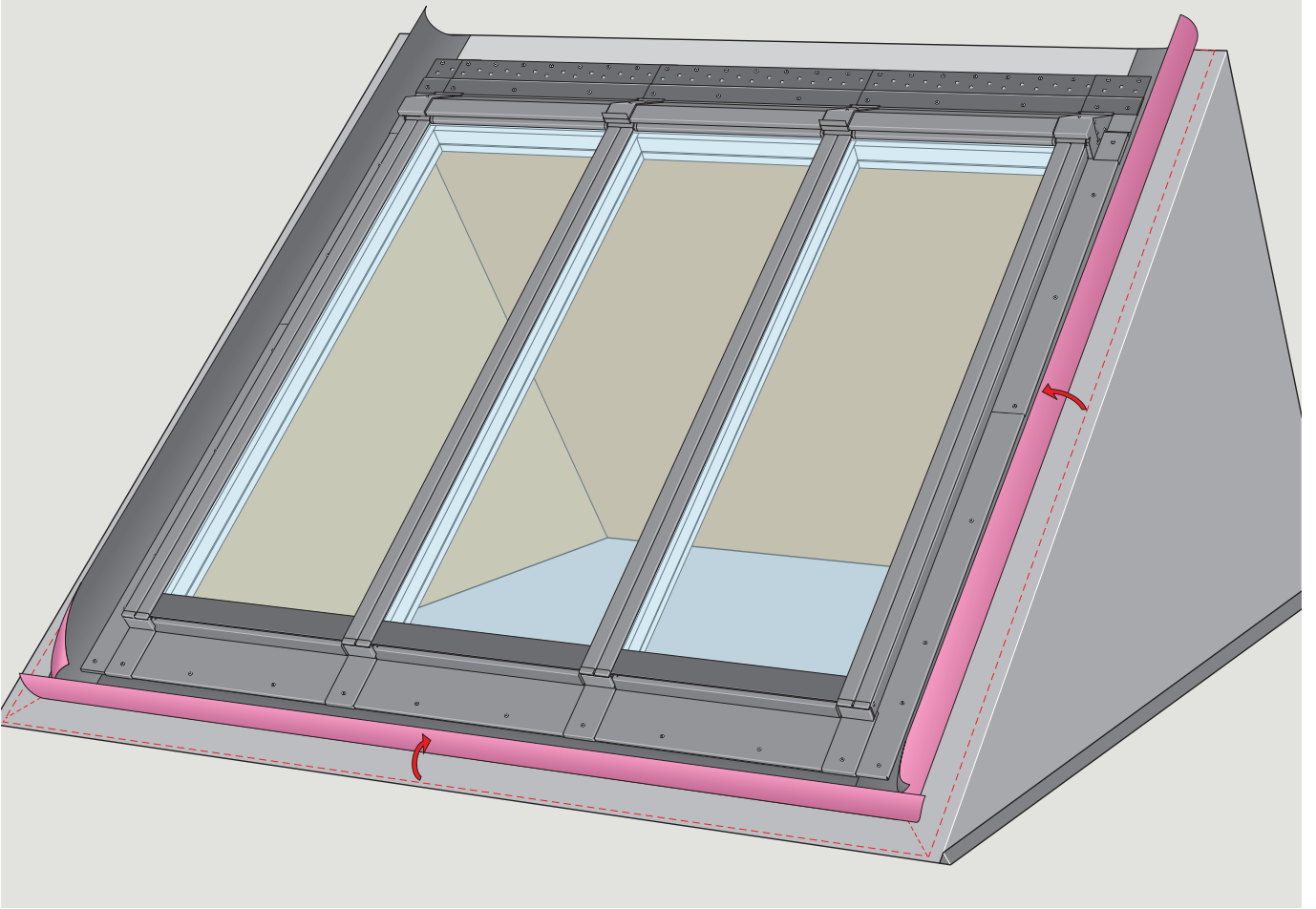
a

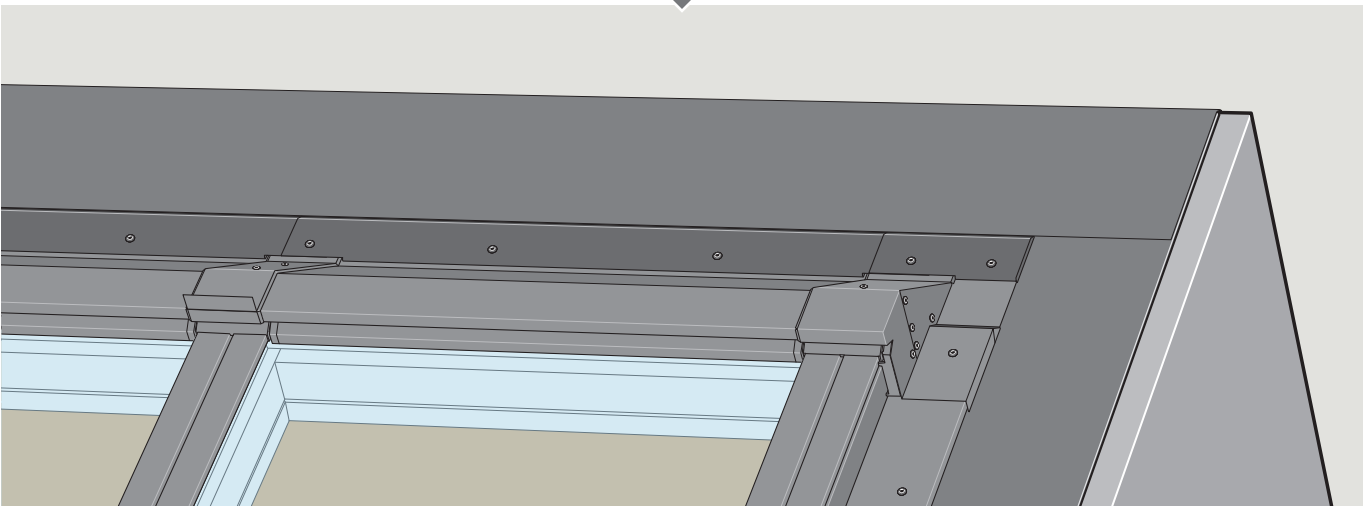
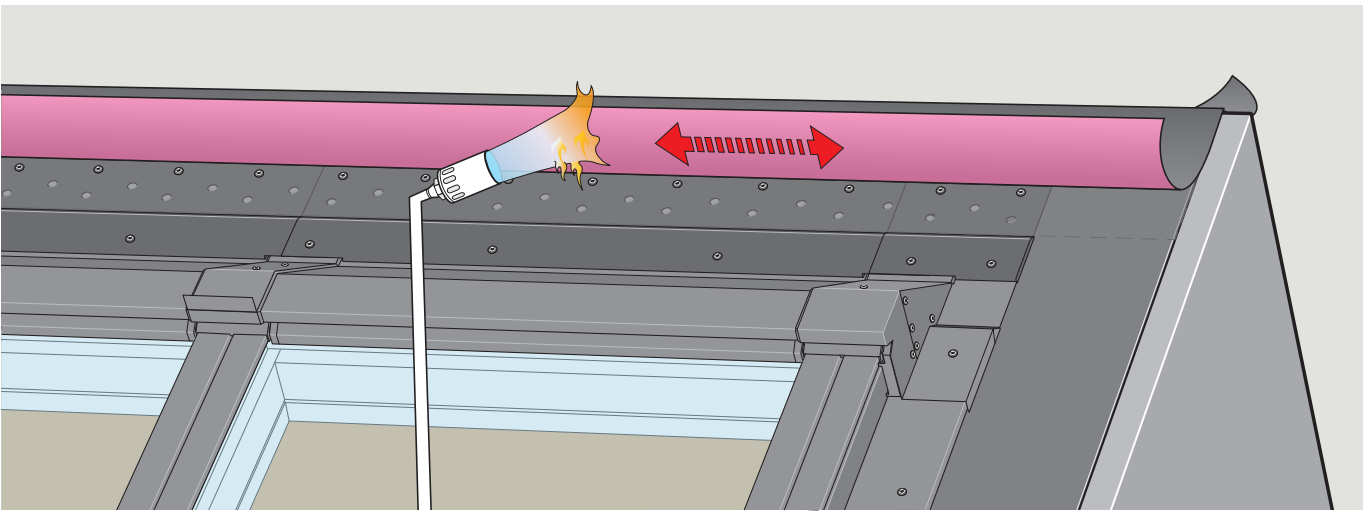
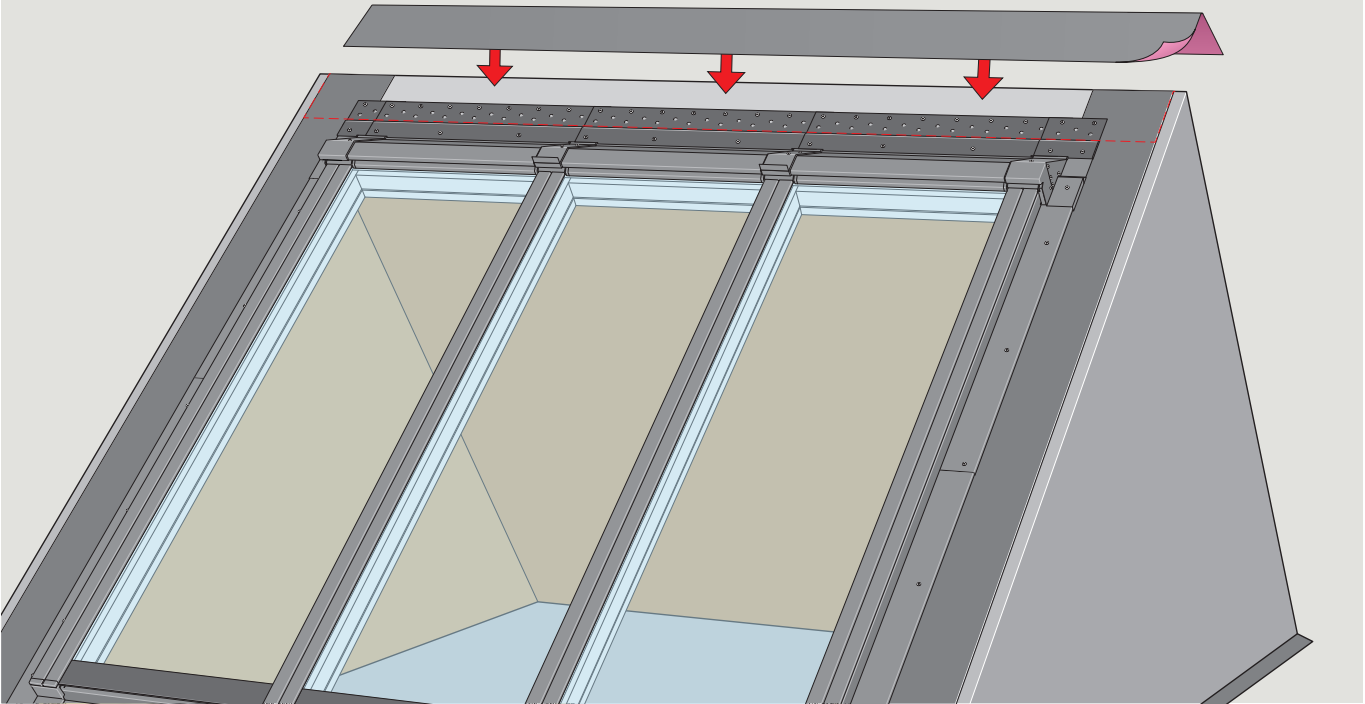
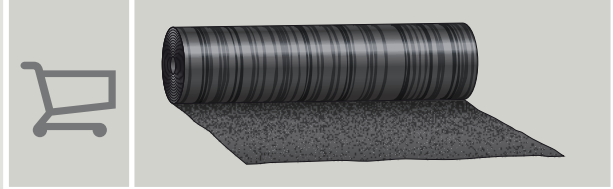
b



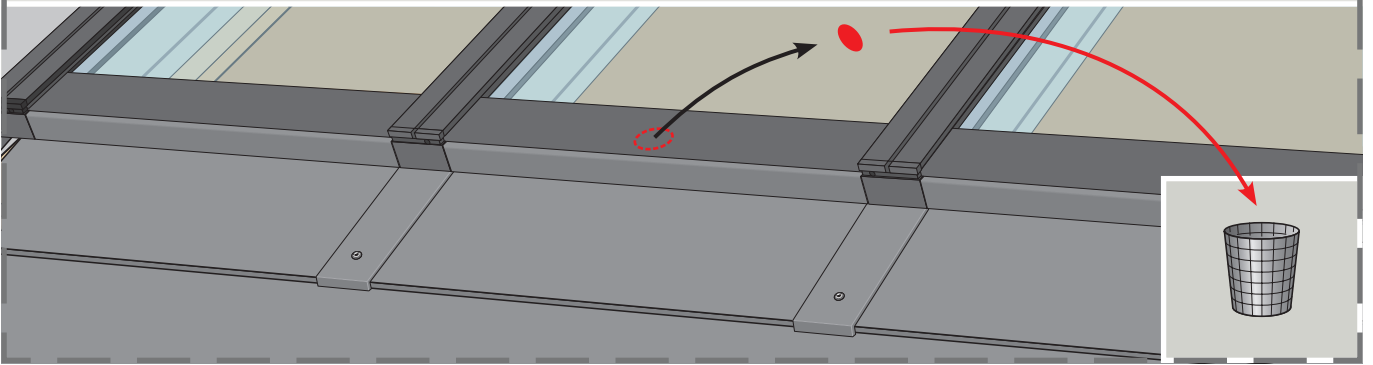
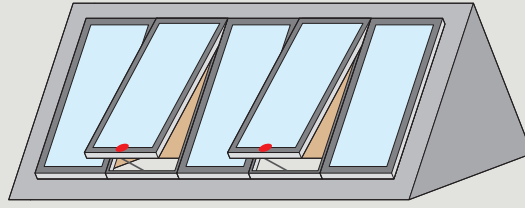
4 x 45 mm



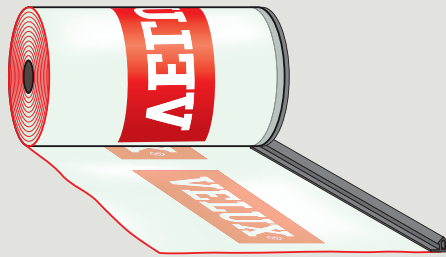




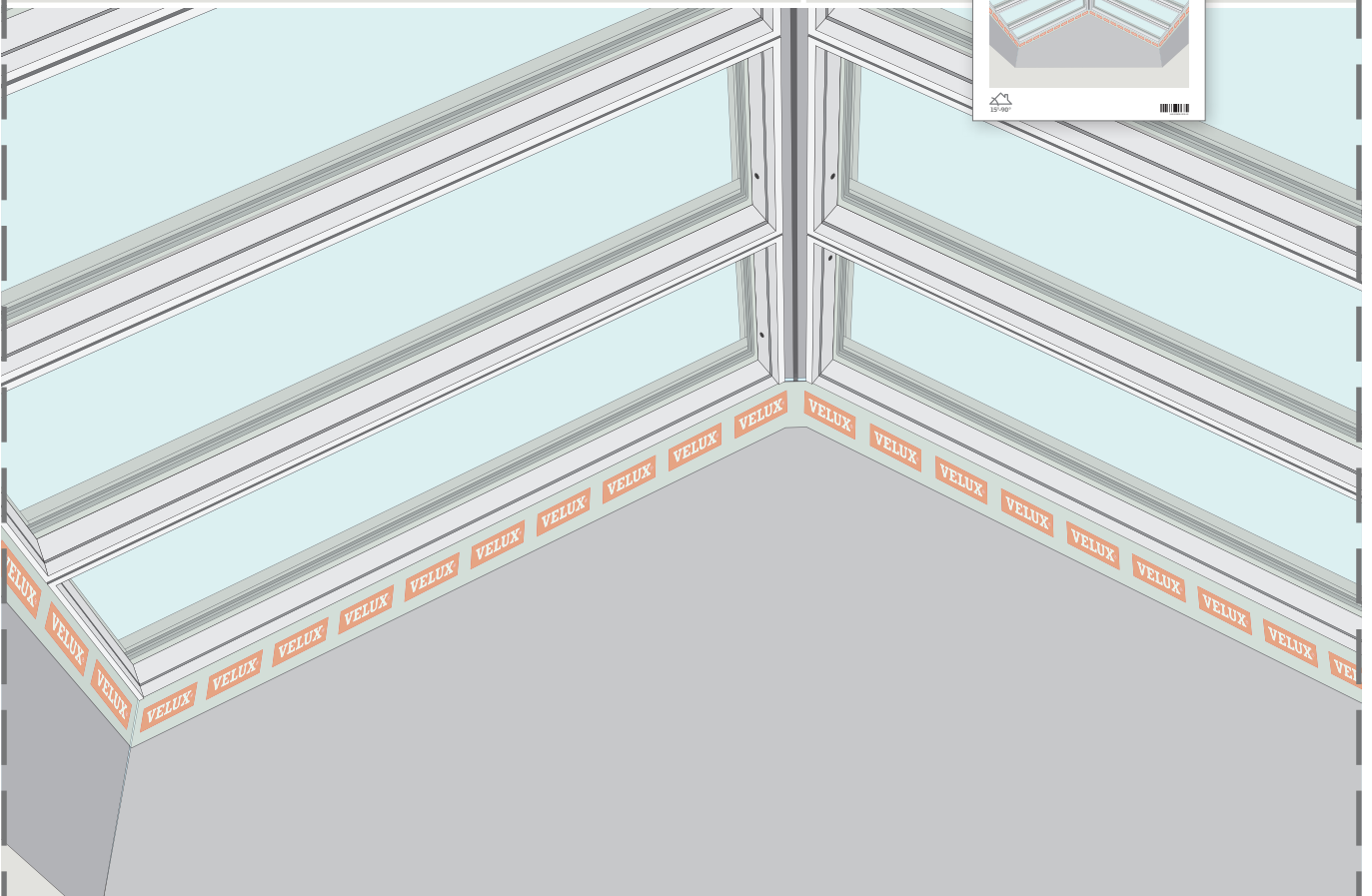
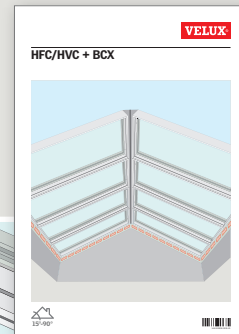
43



44



BCX



AR: VELUX Argentina S.A.
348 4 639944

AT: VELUX Österreich GmbH
02245/32 3 50

AU: VELUX Australia Pty. Ltd.
1300 859 856

BA: VELUX Bosna i Hercegovina d.o.o.
033/626 493, 626 494

BE: VELUX Belgium
(010) 42.09.09

BG: ВЕЛУКС България ЕООД
02/955 99 30

BY: Унитарное предприятие
"ВЕЛЮКС Мансардные Окна"
(017) 329 20 89

CA: VELUX Canada Inc.
1 800 88-VELUX (888-3589)

CH: VELUX Schweiz AG
062 289 44 45

CL: VELUX Chile SpA
2 953 6789

CN: VELUX (CHINA) CO. LTD.
0316-607 27 27

CZ: VELUX Česká republika, s.r.o.
531 015 511

DE: VELUX Deutschland GmbH
040 / 54 70 70

DK: VELUX Danmark A/S
45 16 45 16

EE: VELUX Eesti OÜ
621 7790

ES: VELUX Spain, S.A.
91 509 71 00

FI: VELUX Suomi Oy
0207 290 800

FR: VELUX France
0821 02 15 15
0,119€ TTC/min

GB: VELUX Company Ltd.
01592 778 225

HR: VELUX Hrvatska d.o.o.
01/5555 444

HU: VELUX Magyarország Kft.
(06/1) 436-0601

IE: VELUX Company Ltd.
01 848 8775

IT: VELUX Italia s.p.a.
045/6173666

JP: VELUX-Japan Ltd.
0570-00-8141

LT: VELUX Lietuva, UAB
(85) 270 91 01

LV: VELUX Latvia SIA
67 27 77 33

NL: VELUX Nederland B.V.
030 - 6 629 629

NO: VELUX Norge AS
22 51 06 00

NZ: VELUX New Zealand Ltd.
0800 650 445

PL: VELUX Polska Sp. z o.o.
(022) 33 77 000 / 33 77 070

PT: VELUX Portugal, Lda
21 880 00 60

RO: VELUX România S.R.L.
0-8008-83589

RS: VELUX Srbija d.o.o.
011 20 57 500

RU: ЗАО ВЕЛЮКС
(495) 640 87 20

SE: VELUX Svenska AB
042/20 83 80

SI: VELUX Slovenija d.o.o.
01 724 68 68

SK: VELUX Slovensko, s.r.o.
(02) 33 000 555

TR: VELUX Çatı Pencereleri
Ticaret Limited Şirketi
0 216 302 54 10

UA: ТОВ "ВЕЛЮКС Україна"
(044) 2916070

US: VELUX America LLC
1-800-88-VELUX