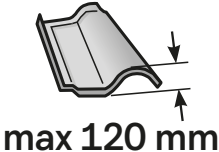
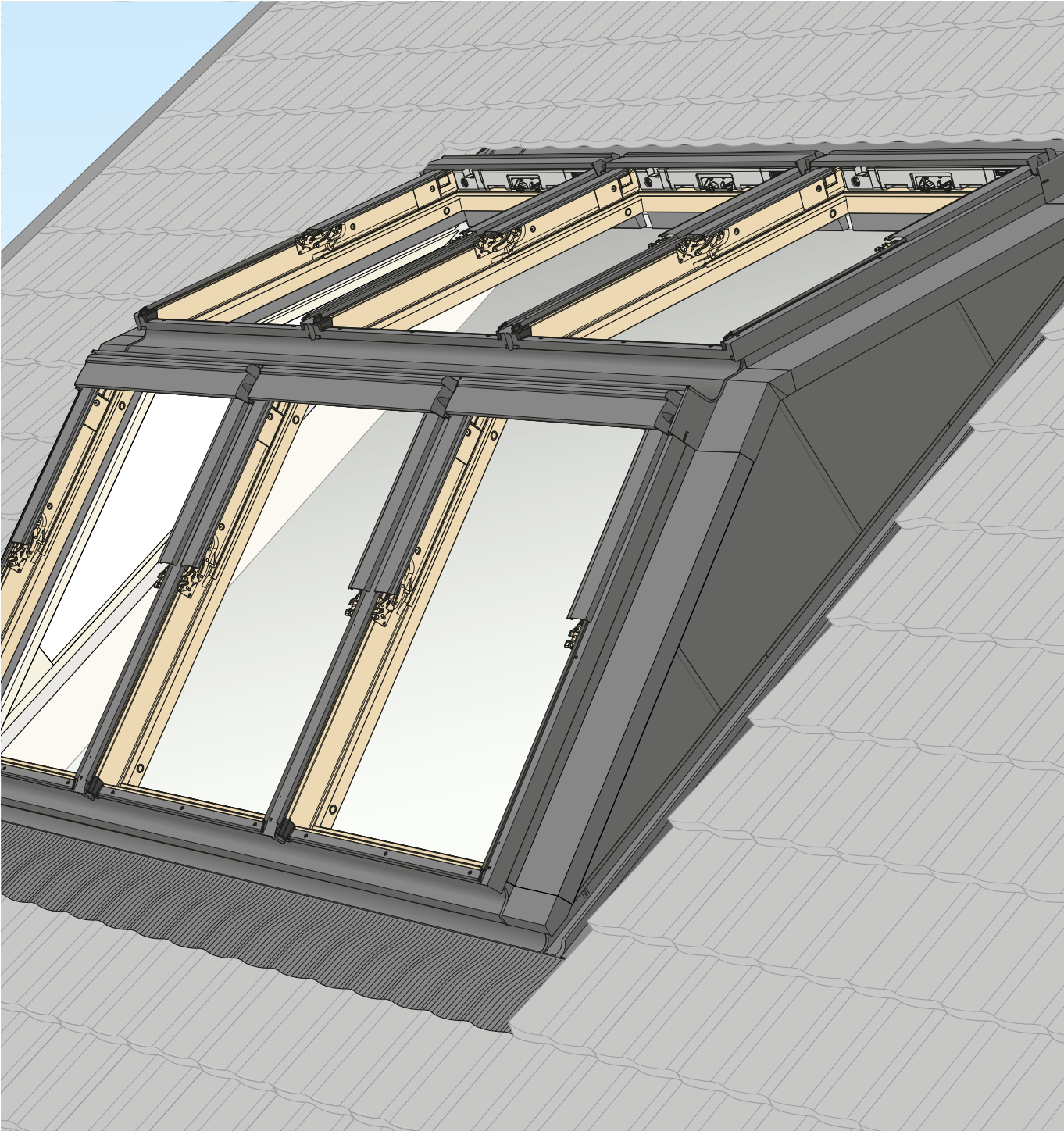
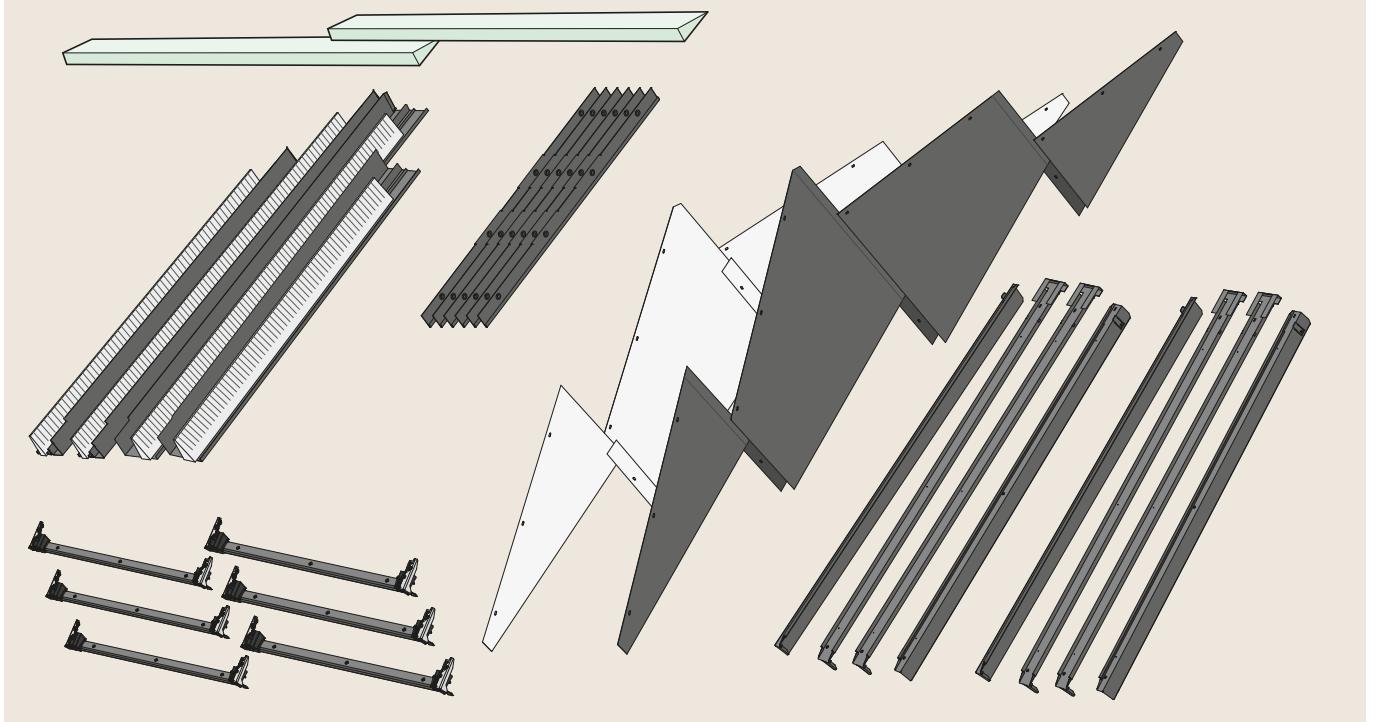
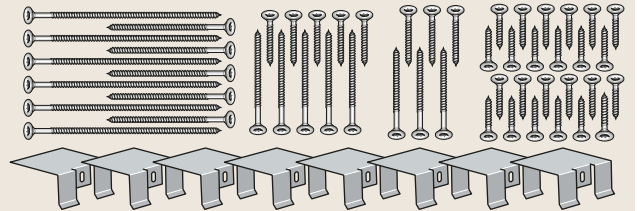
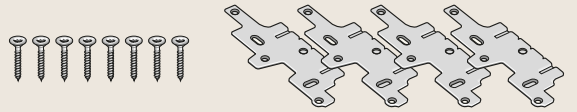
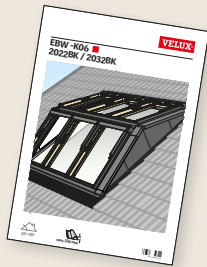
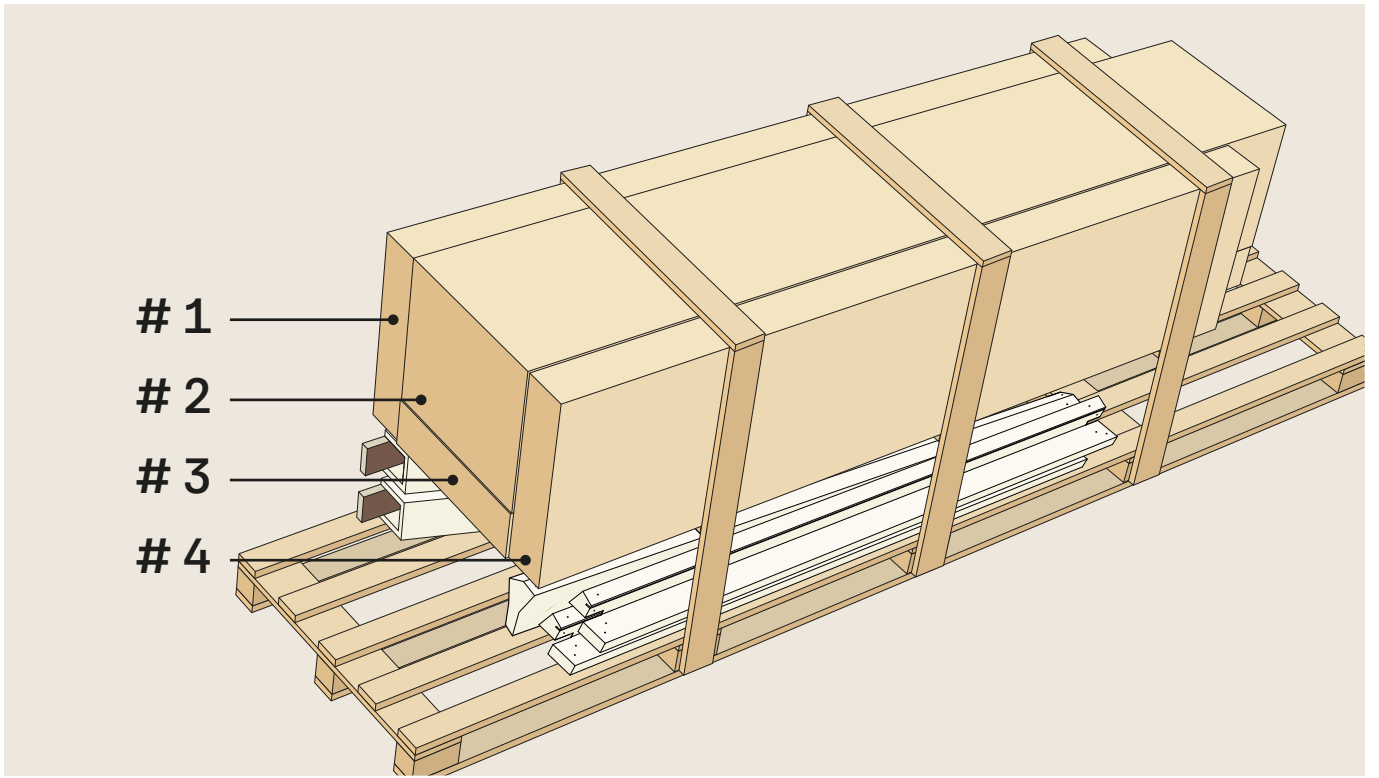


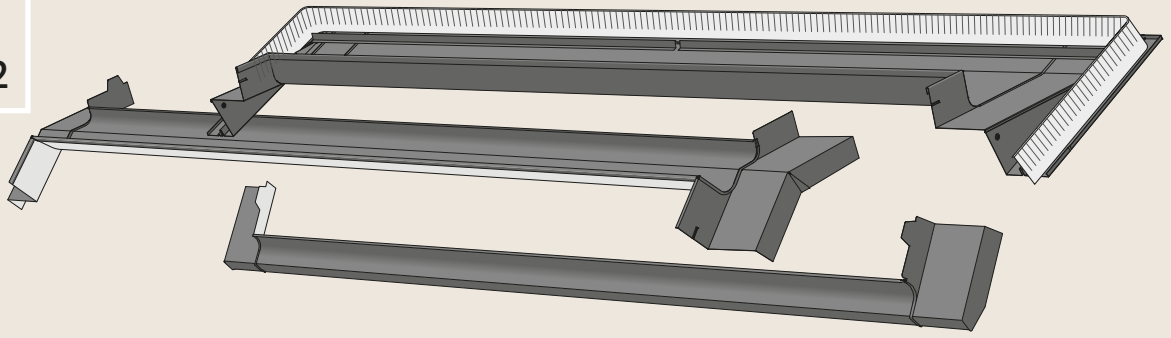
EBW -K06 ■
2022BK / 2032BK



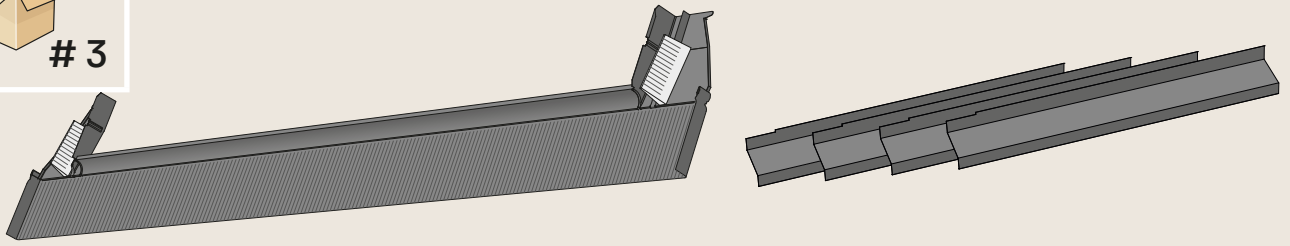




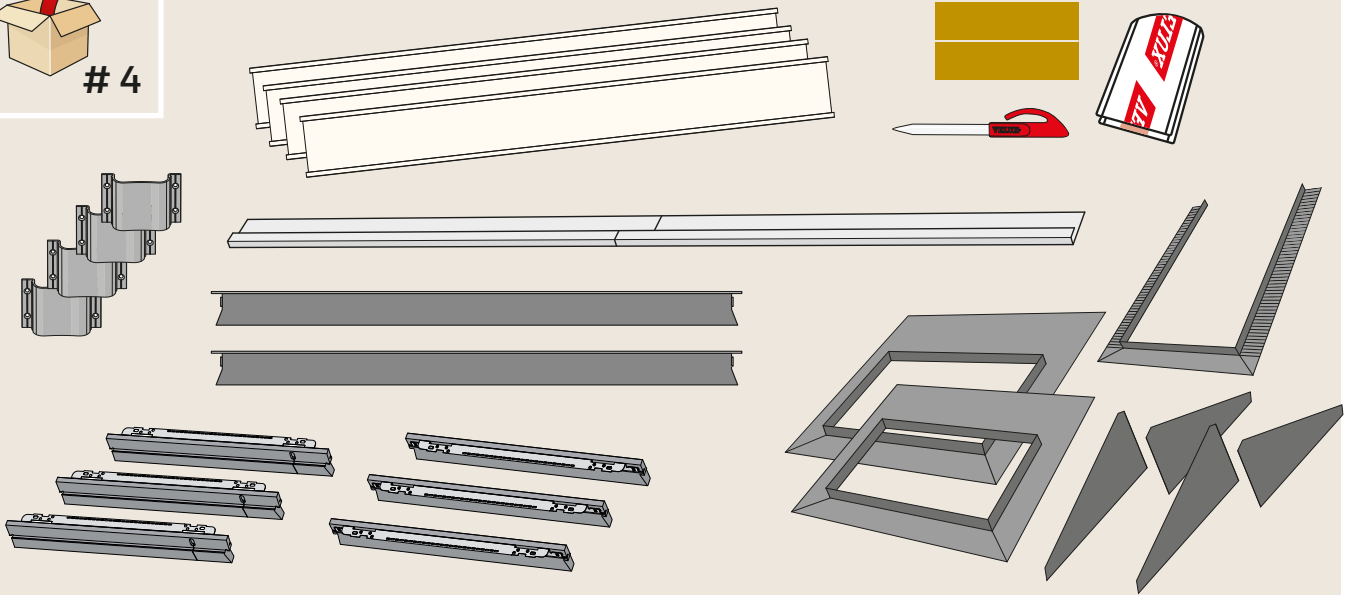
2



3



4

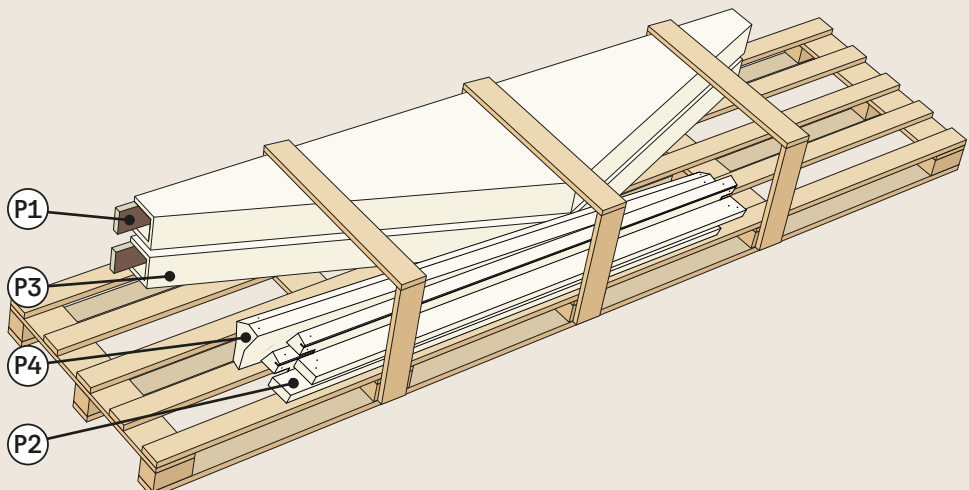


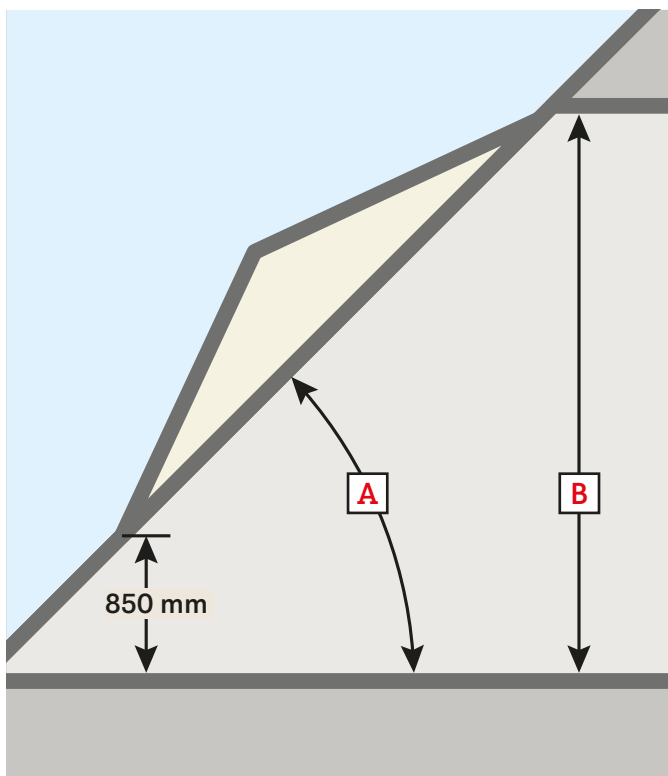
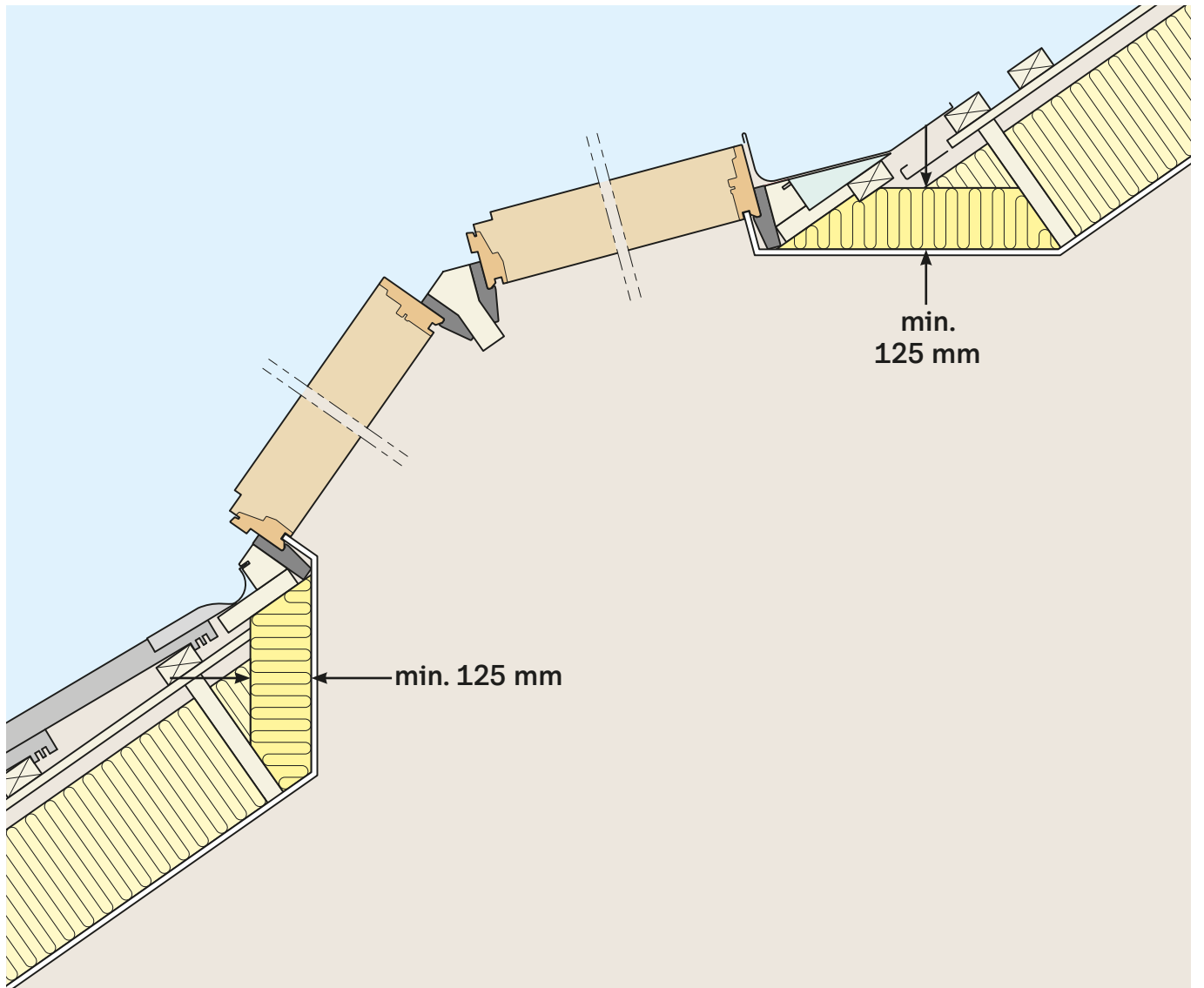
P1

P3

P4

P2



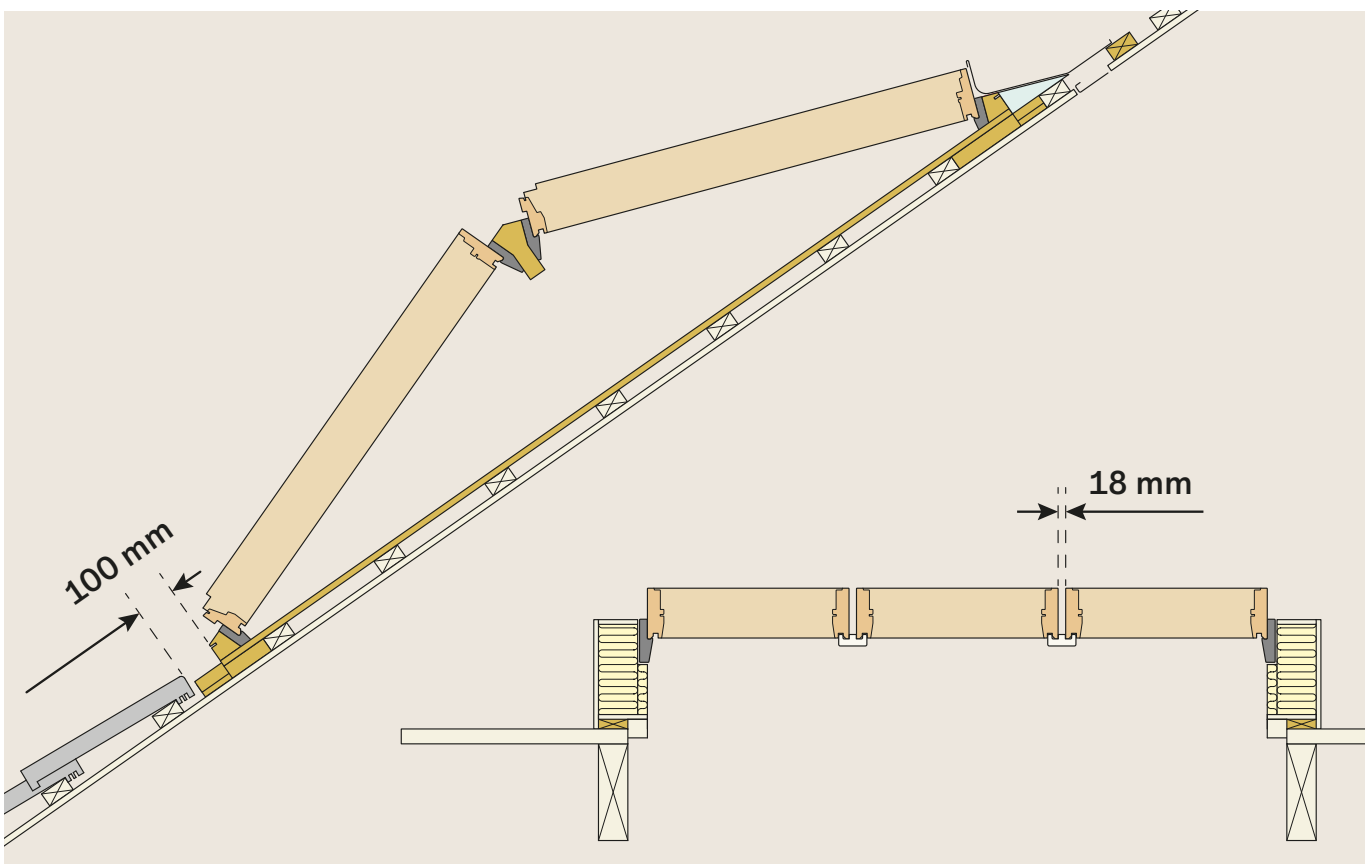
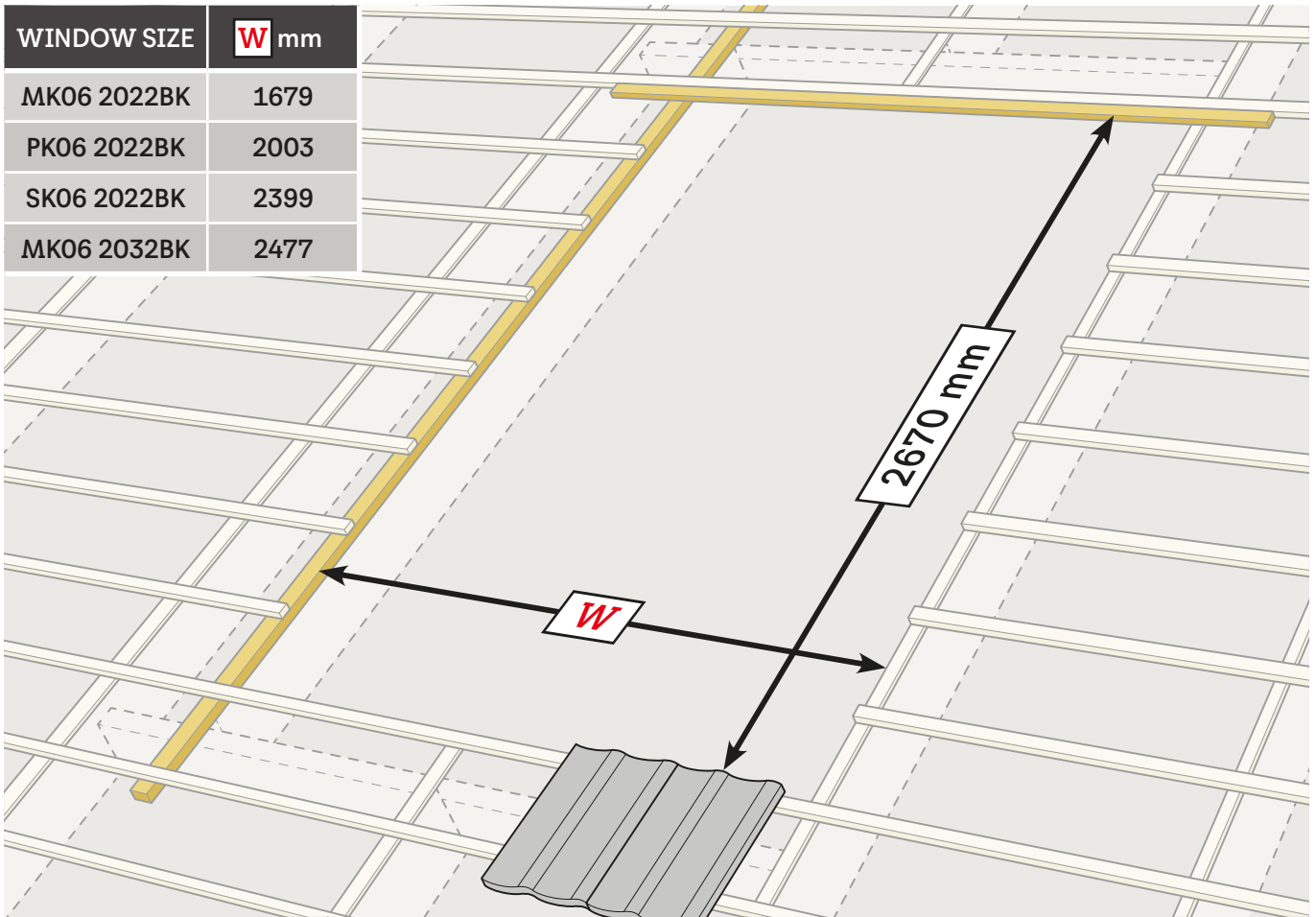


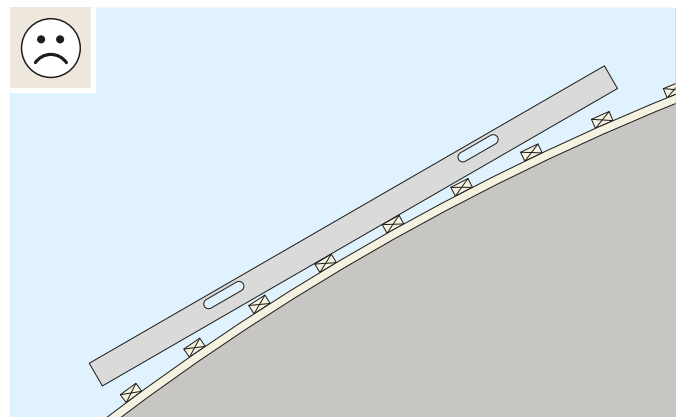
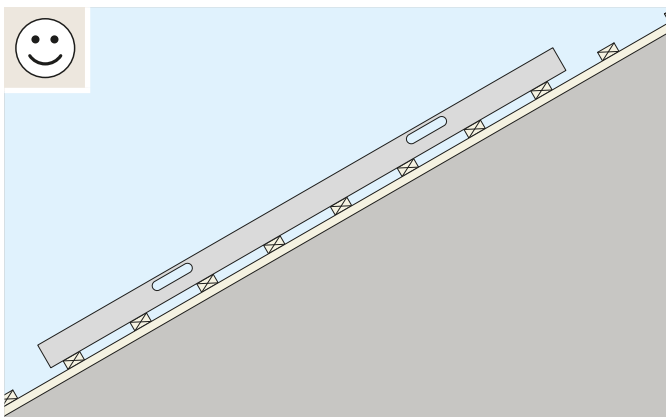
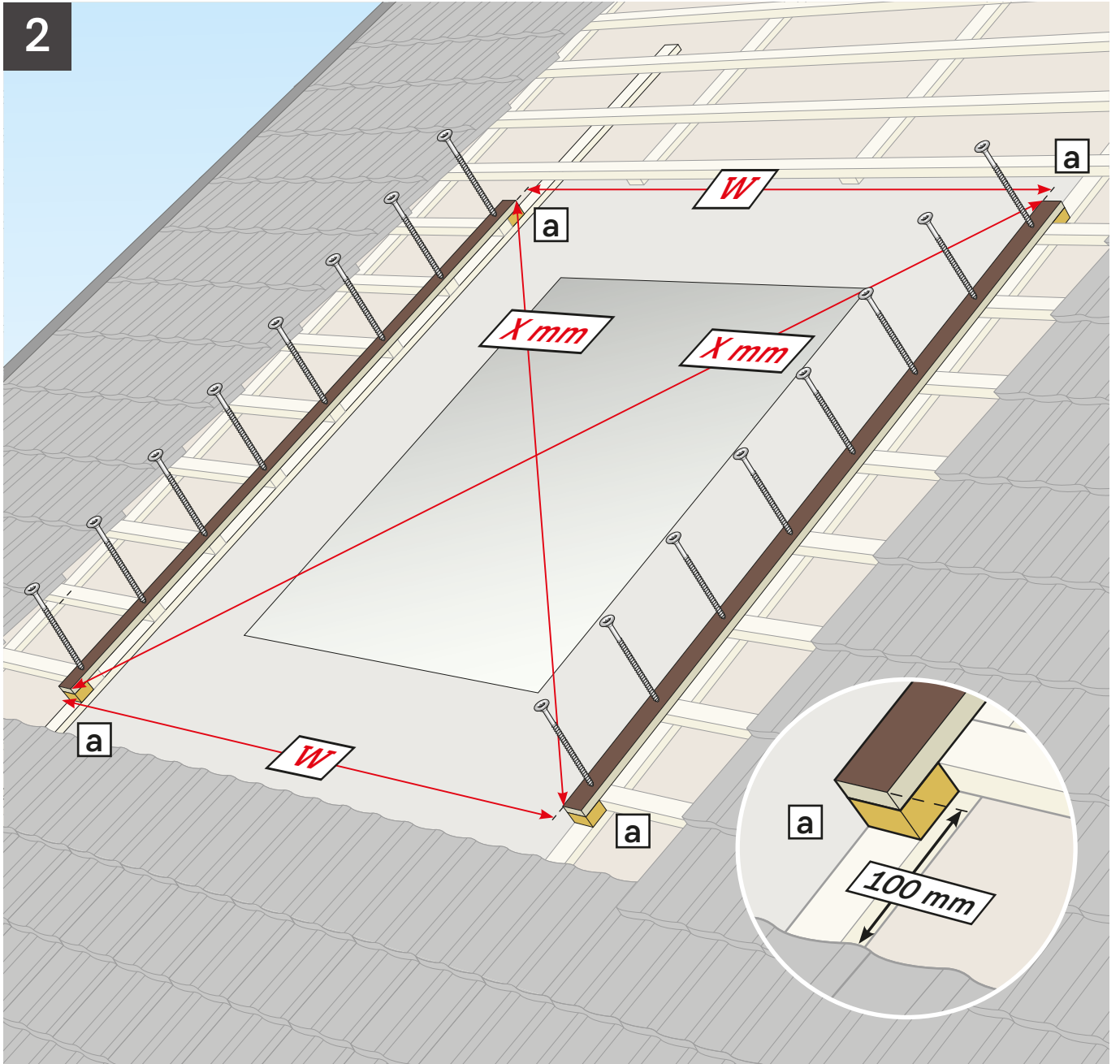
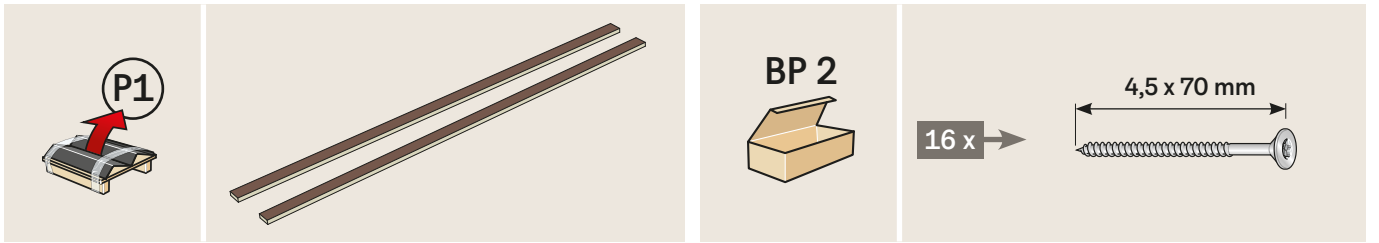
A	min. B mm
35°	2003
40°	2171
45°	2328
50°	2470
55°	2600
60°	2714
65°	2815
70°	2900

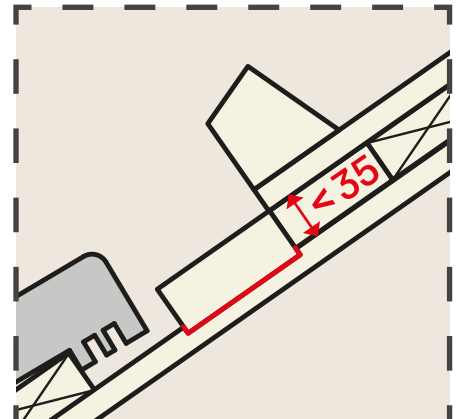
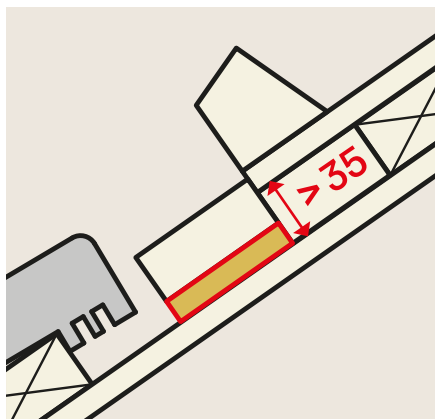
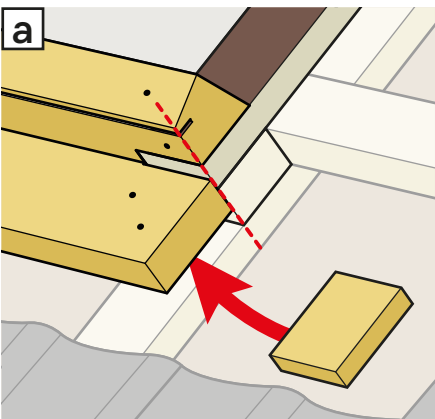
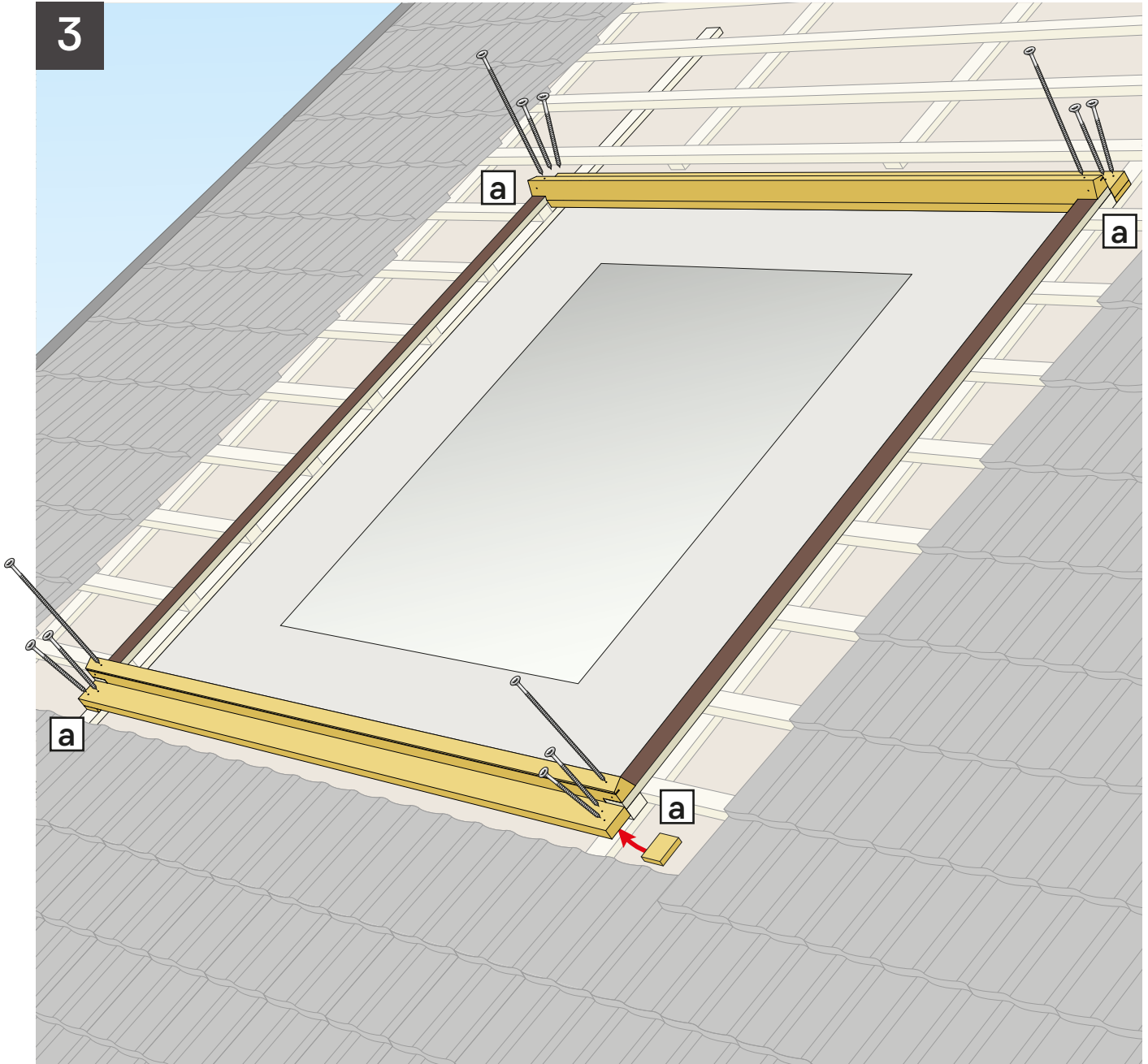
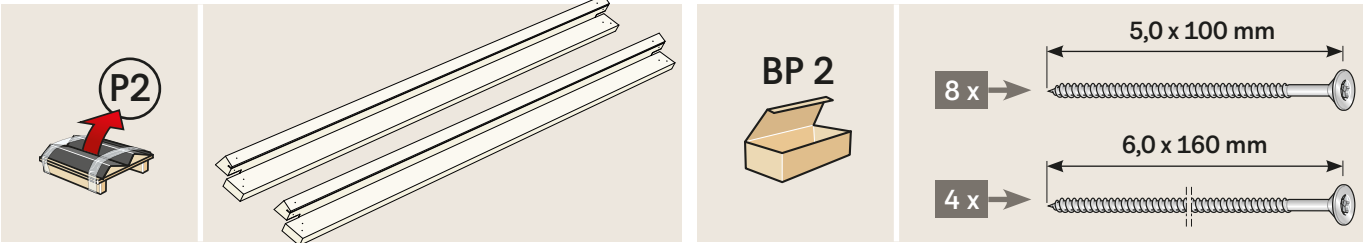
1



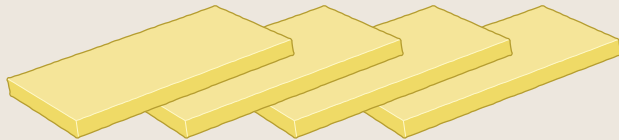
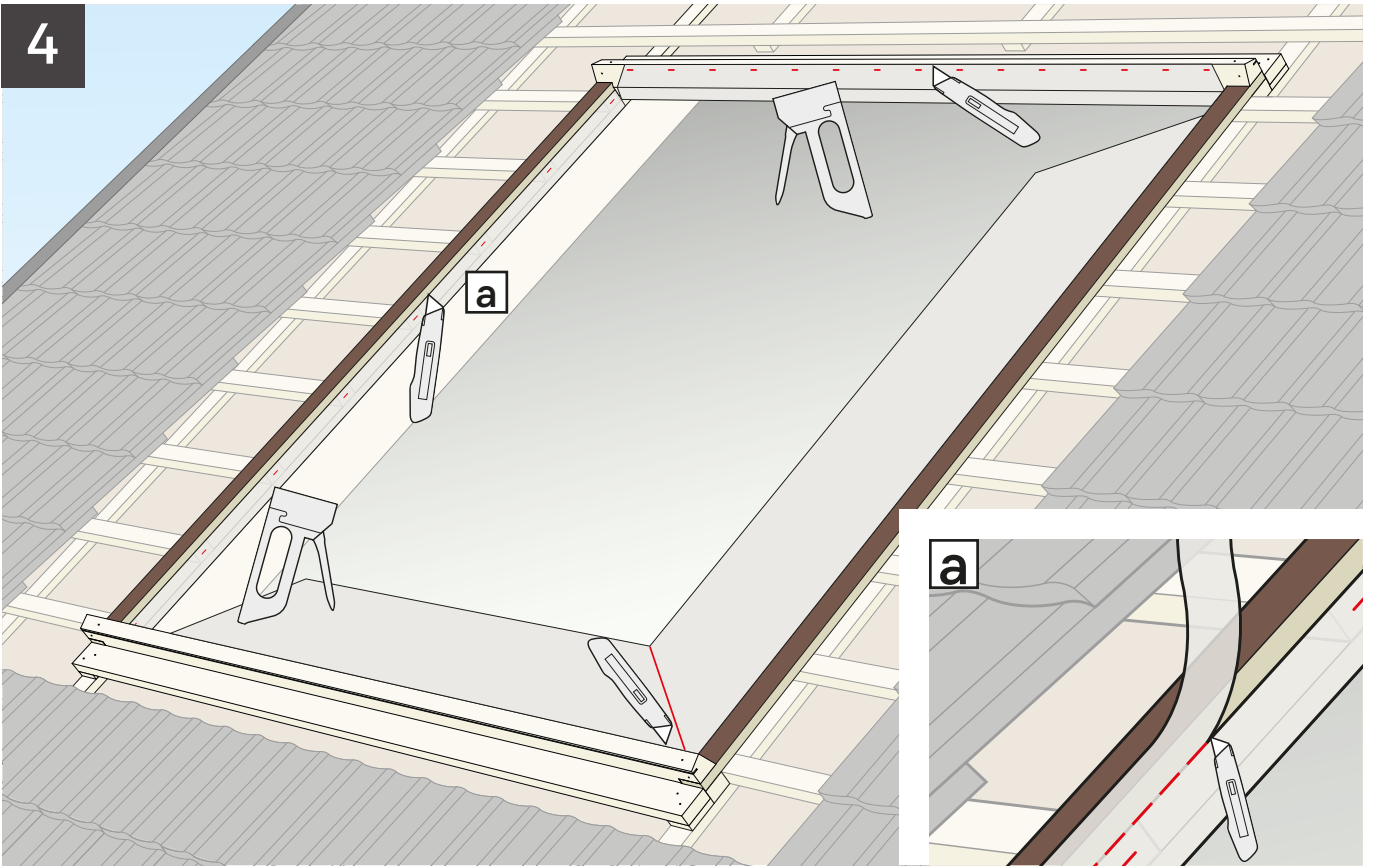
WINDOW SIZE	W mm
MK06 2022BK	1679
PK06 2022BK	2003
SK06 2022BK	2399
MK06 2032BK	2477



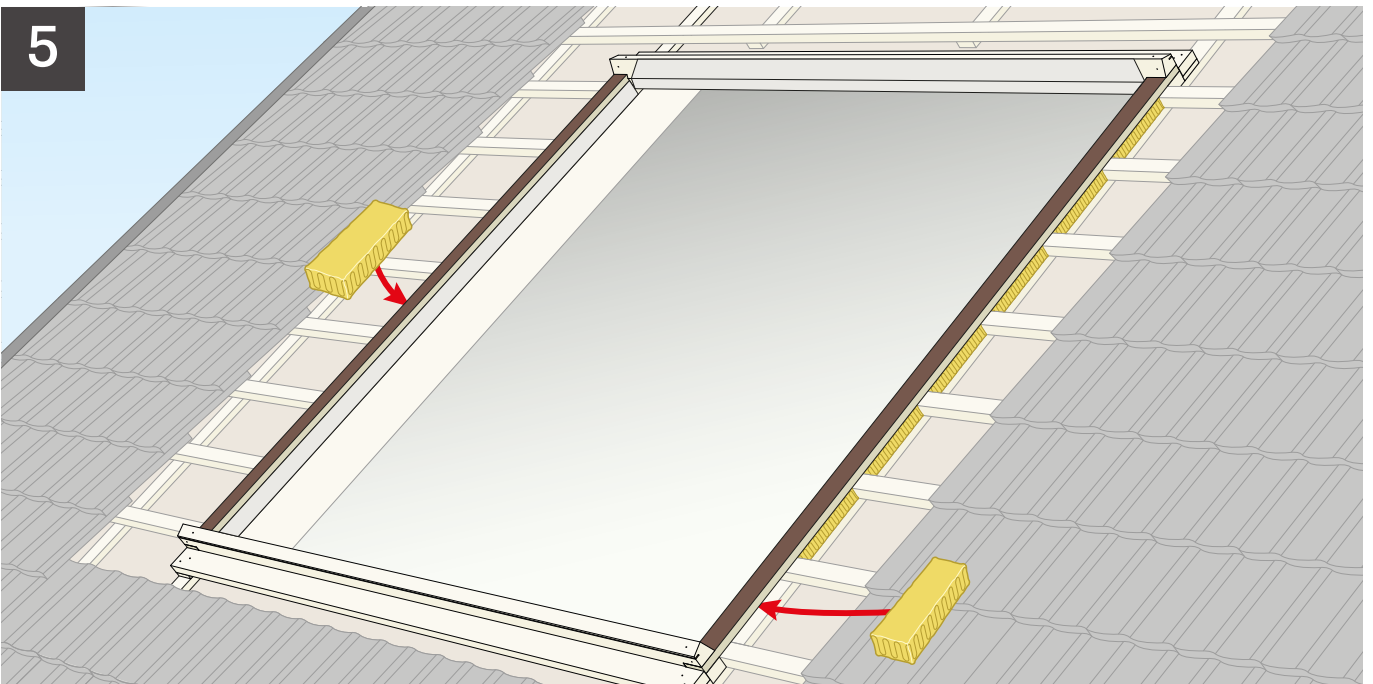


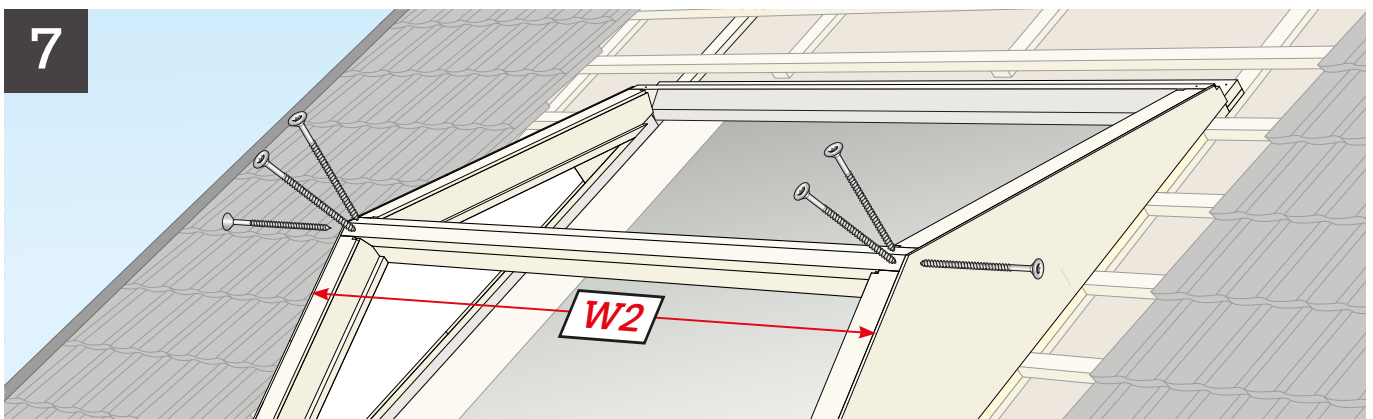
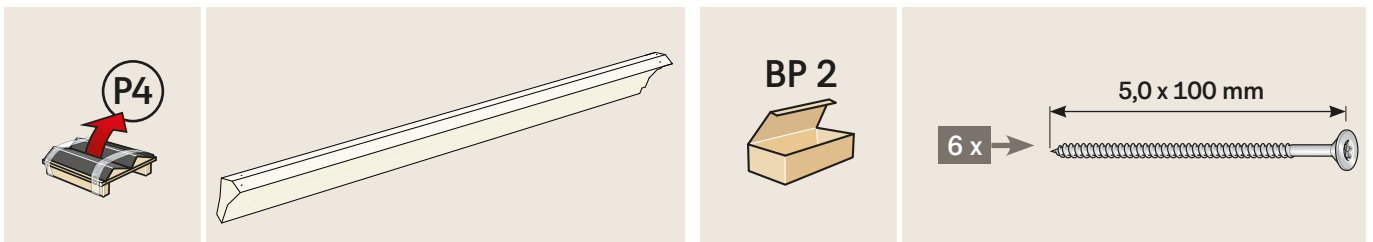
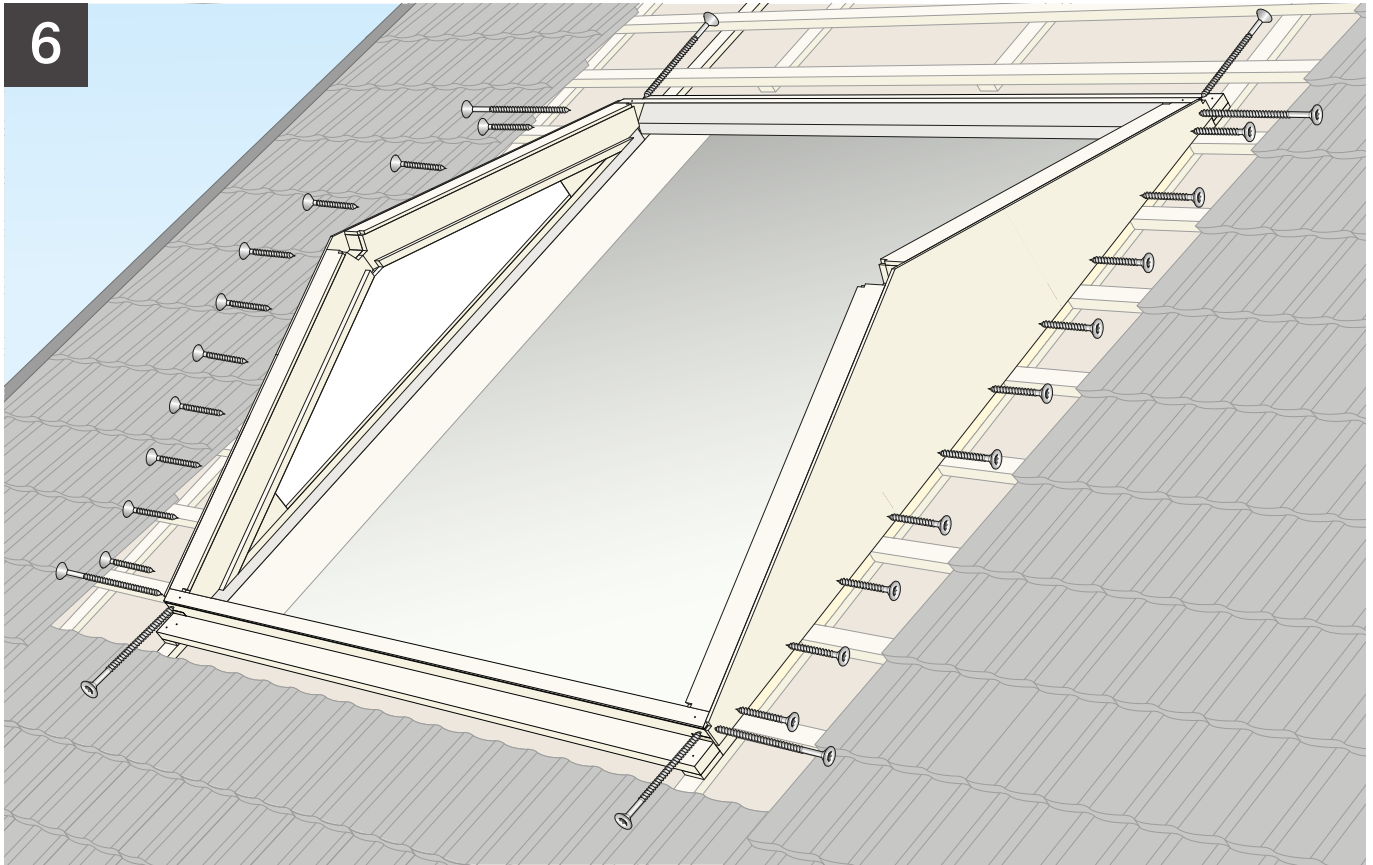
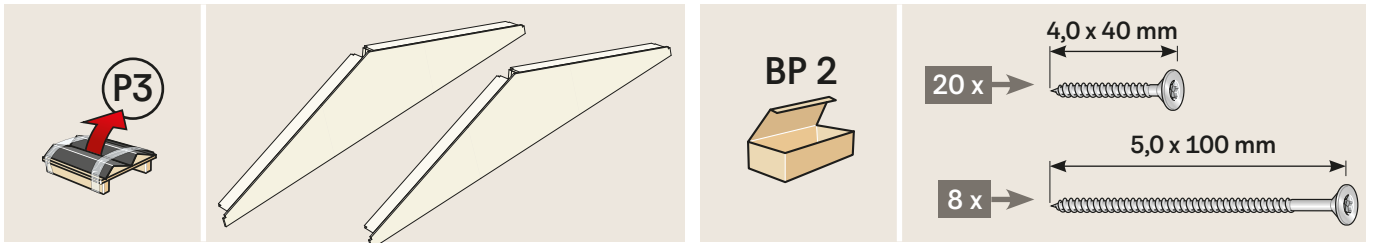


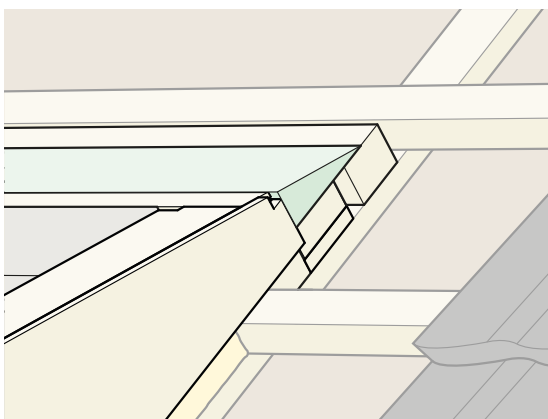
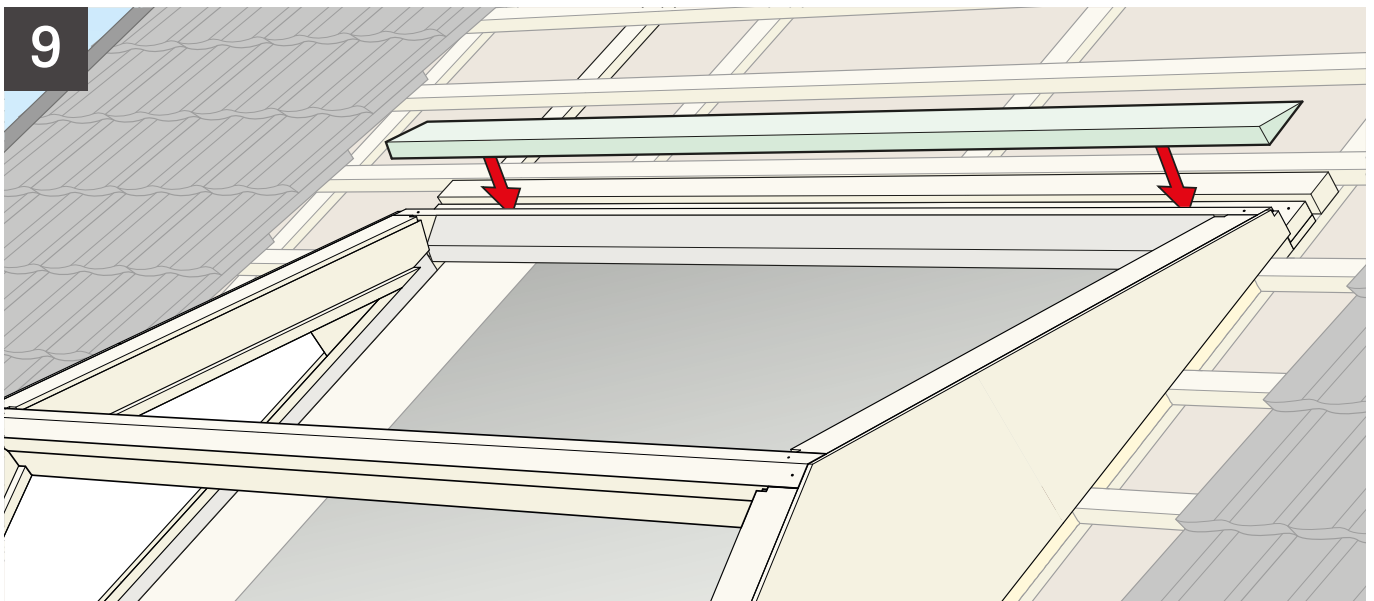
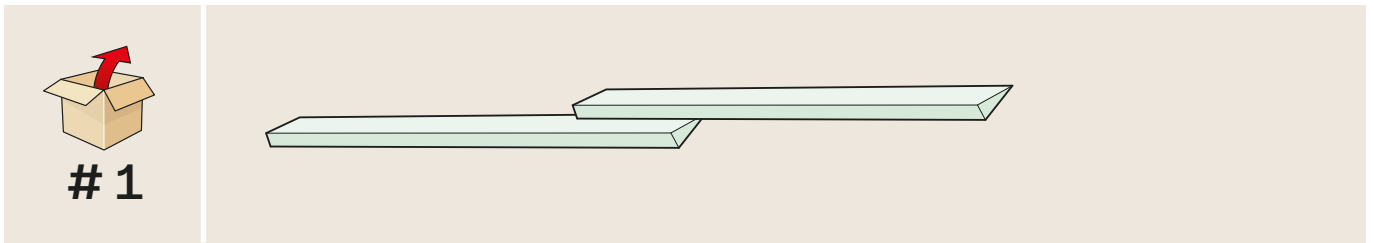
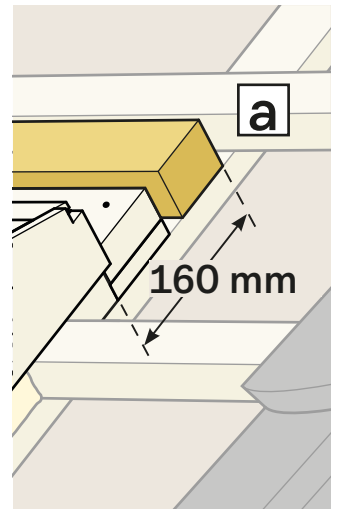
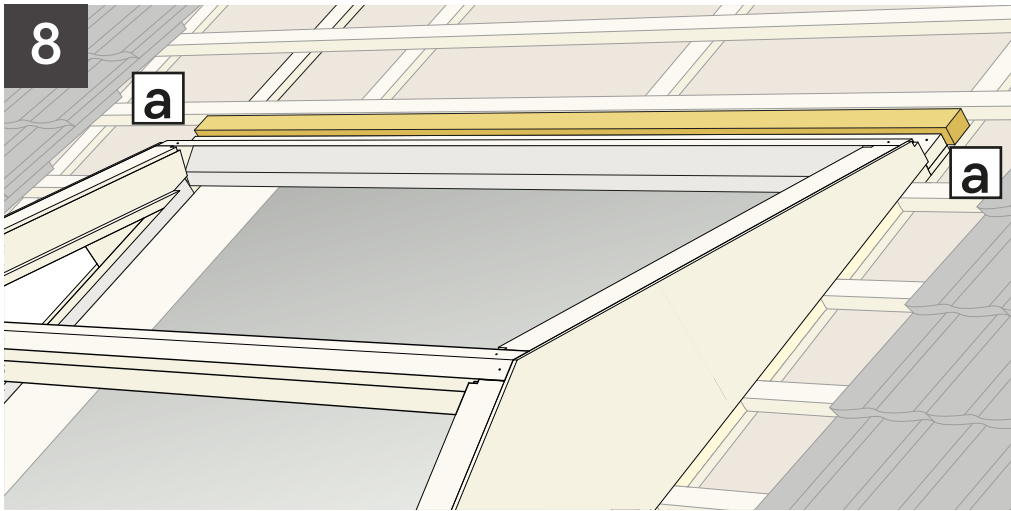
4

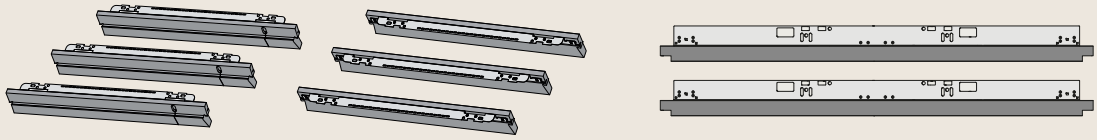
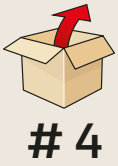


5

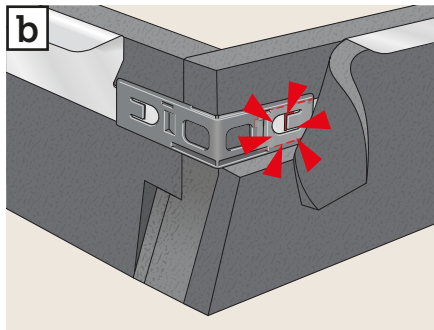
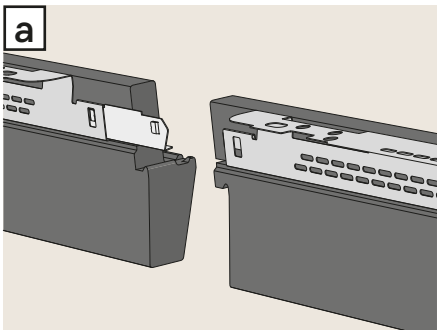
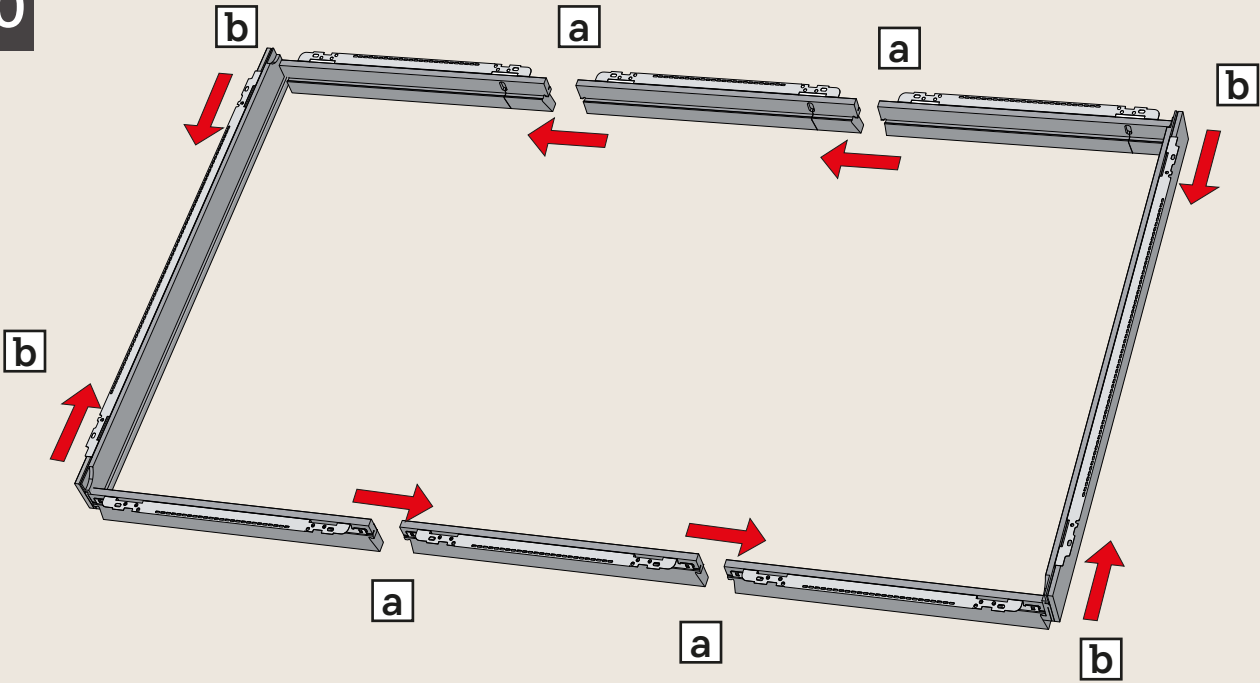




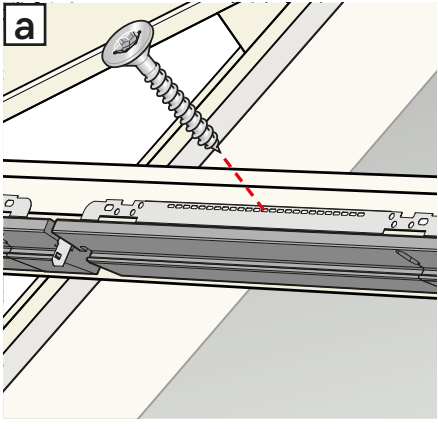
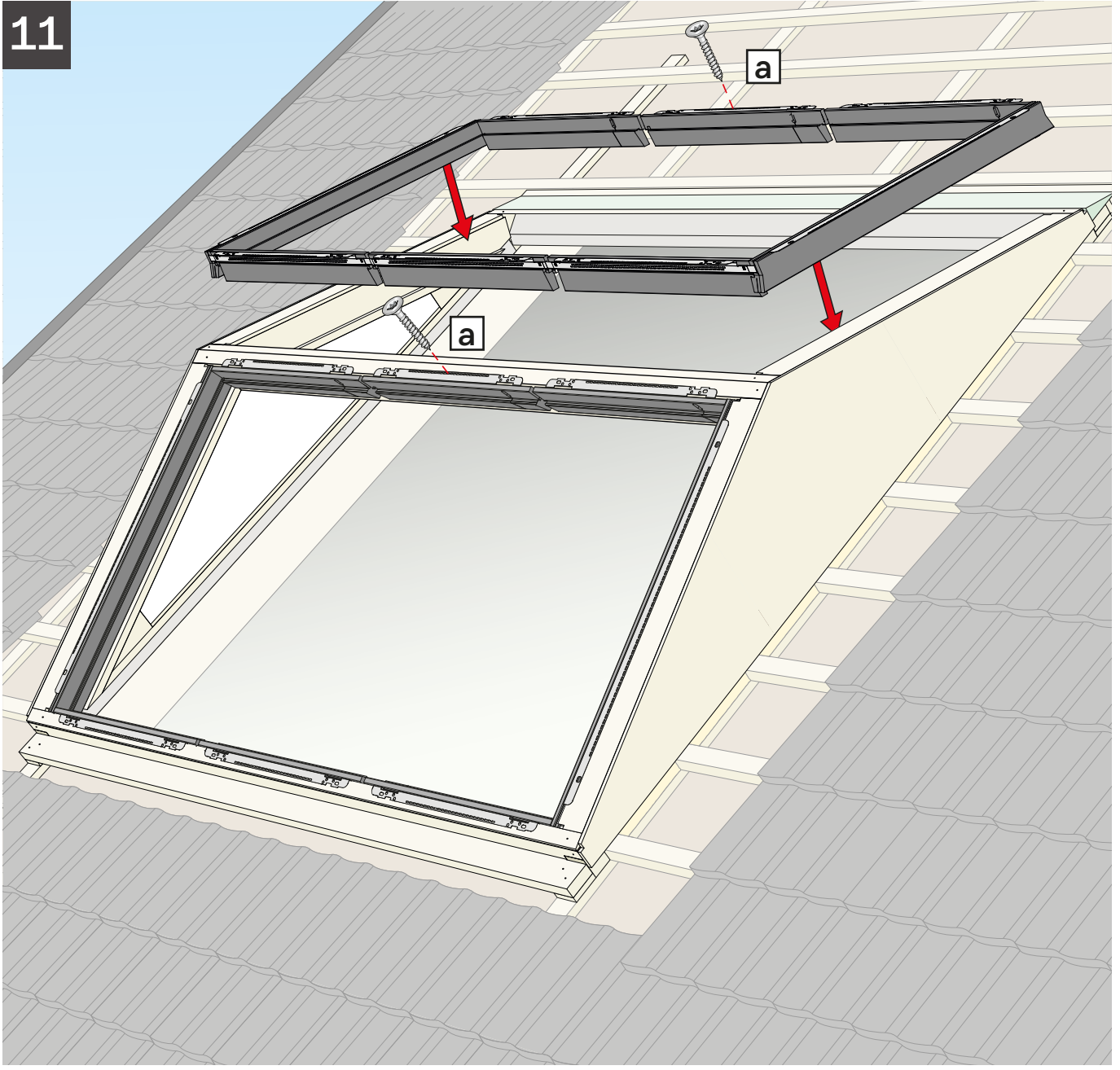




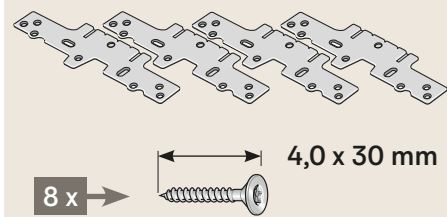
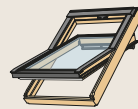
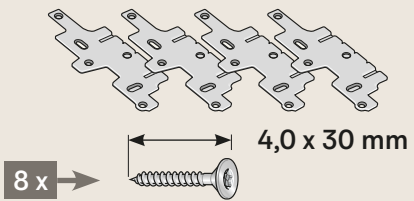
10



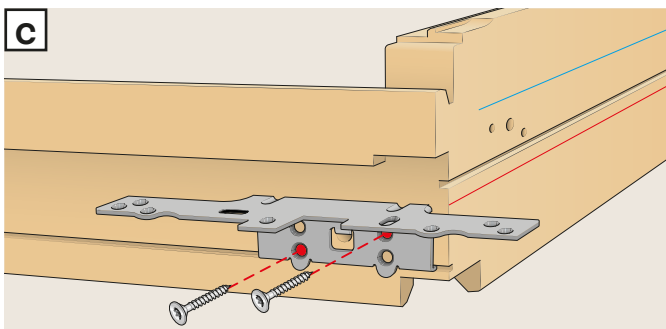
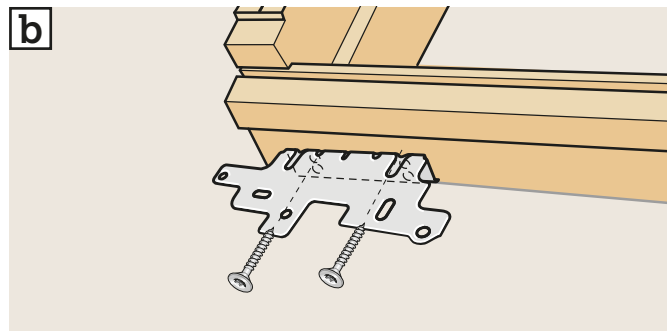
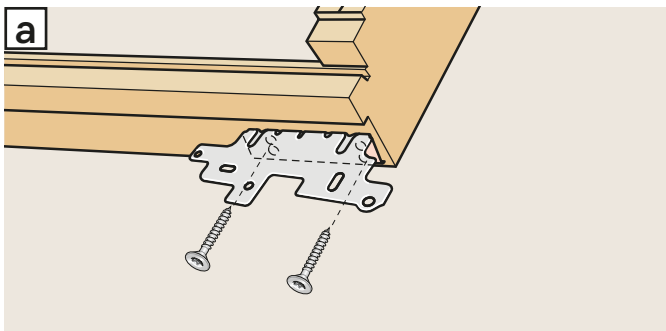
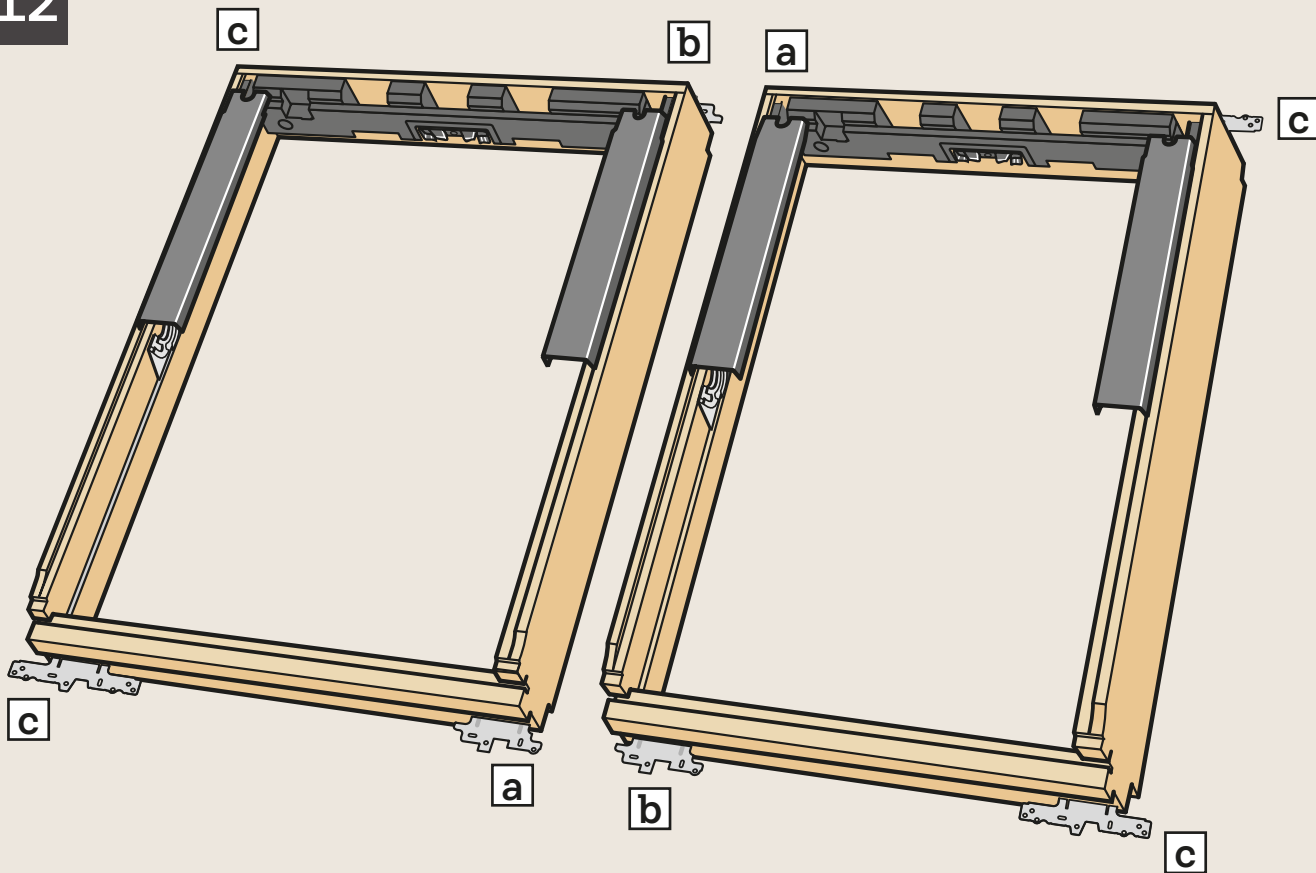
11

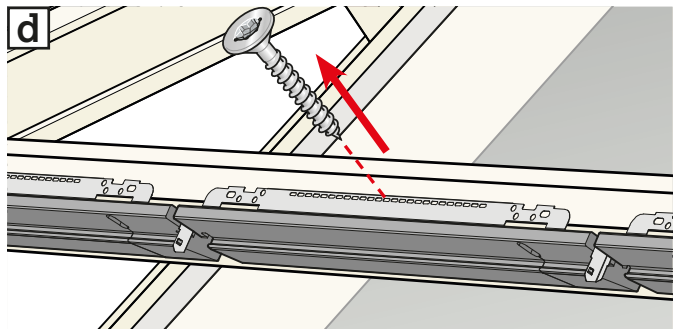
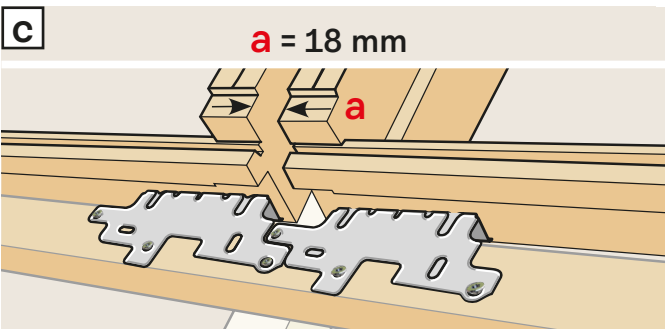
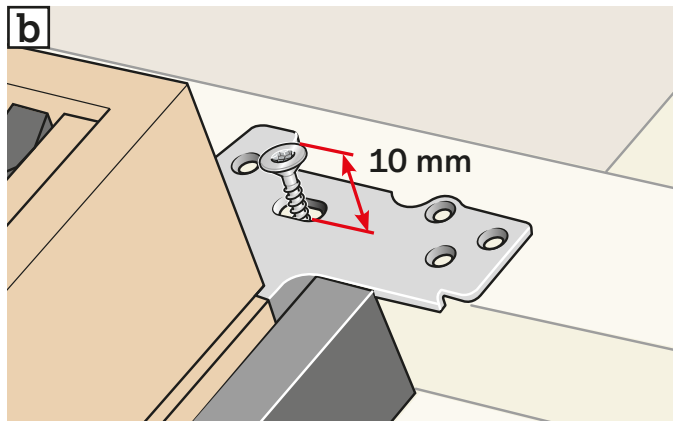
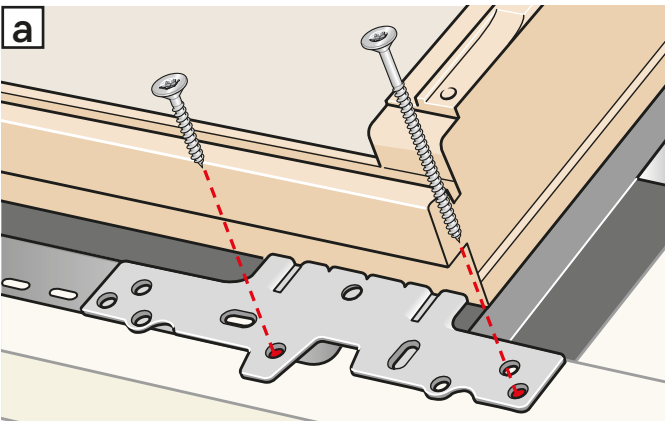
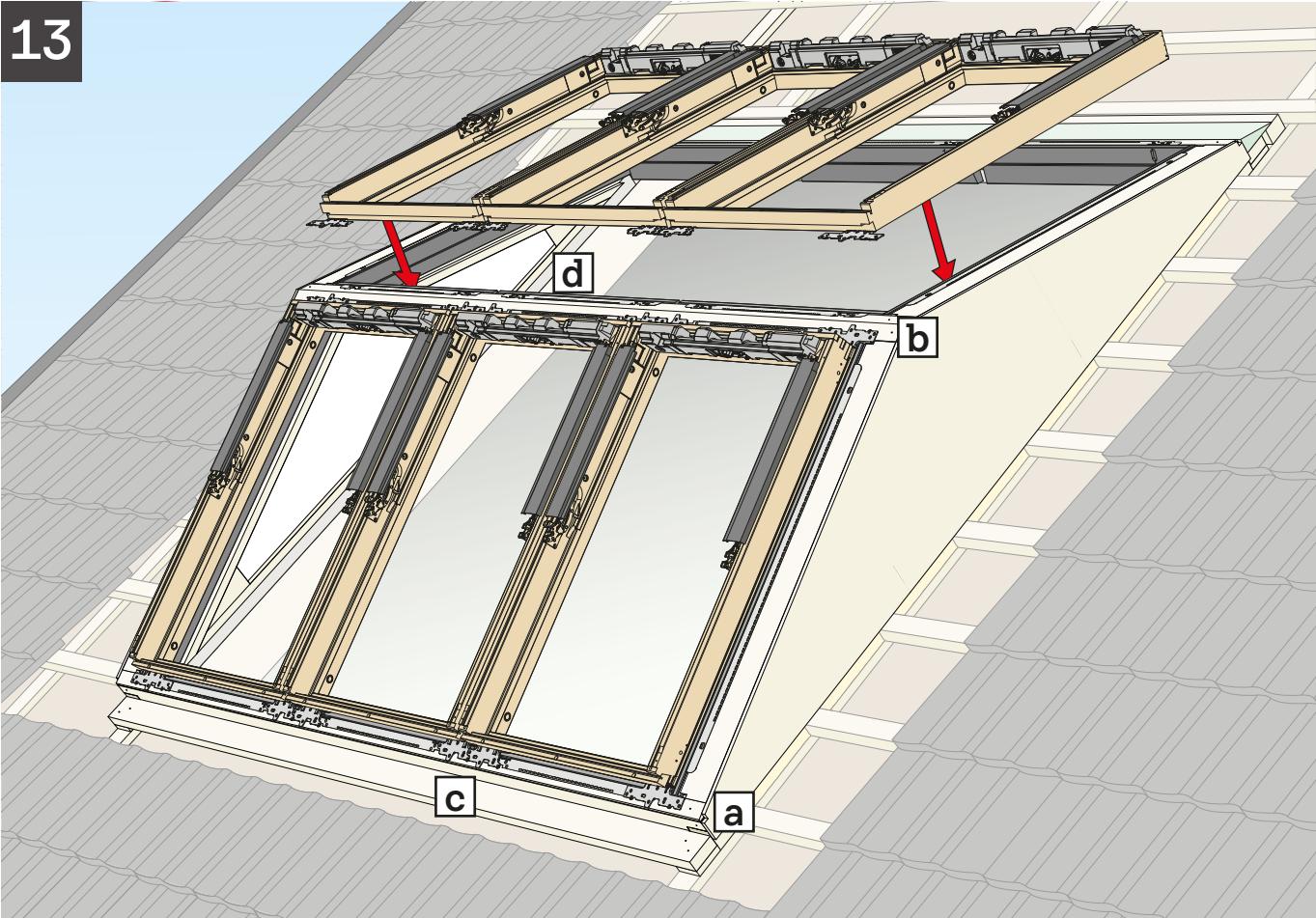
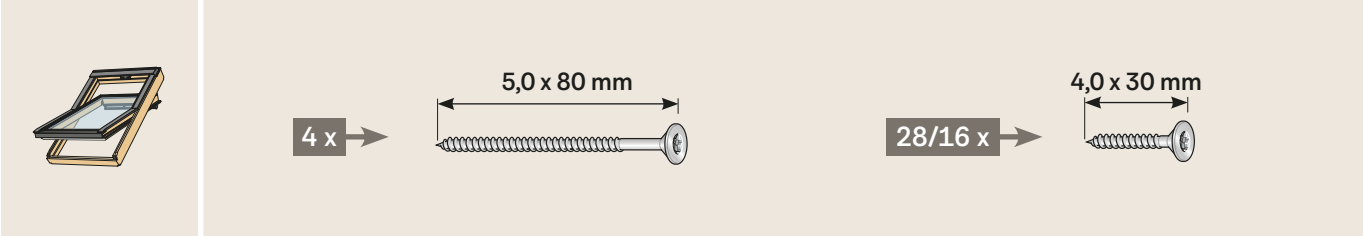


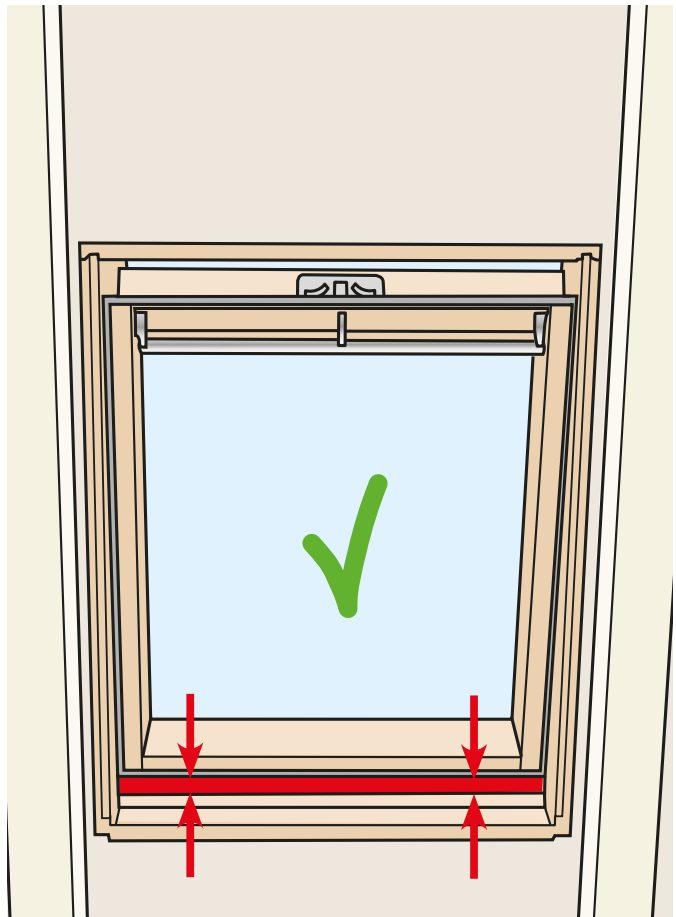
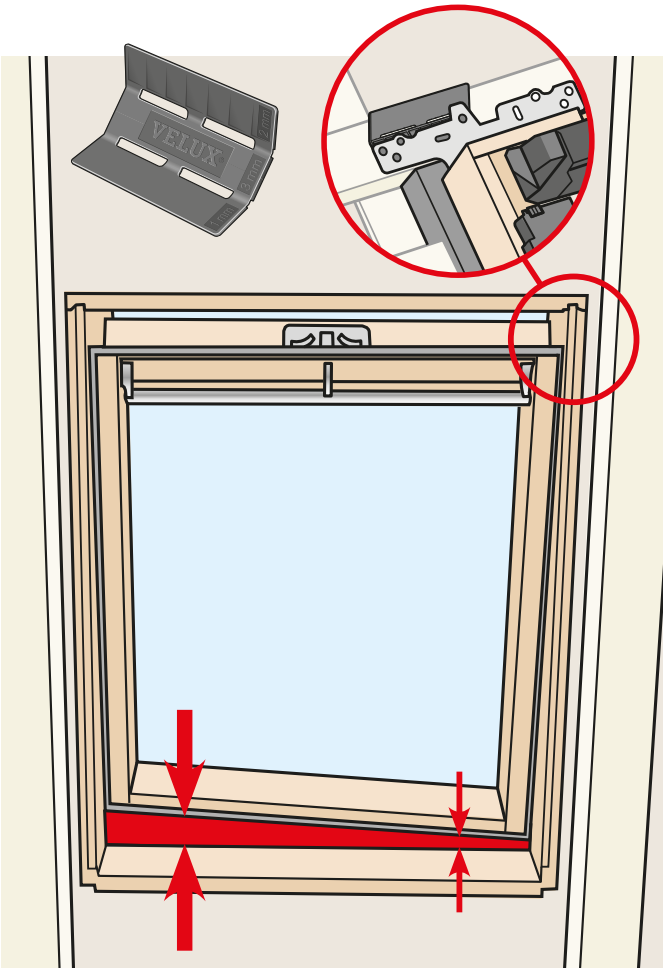
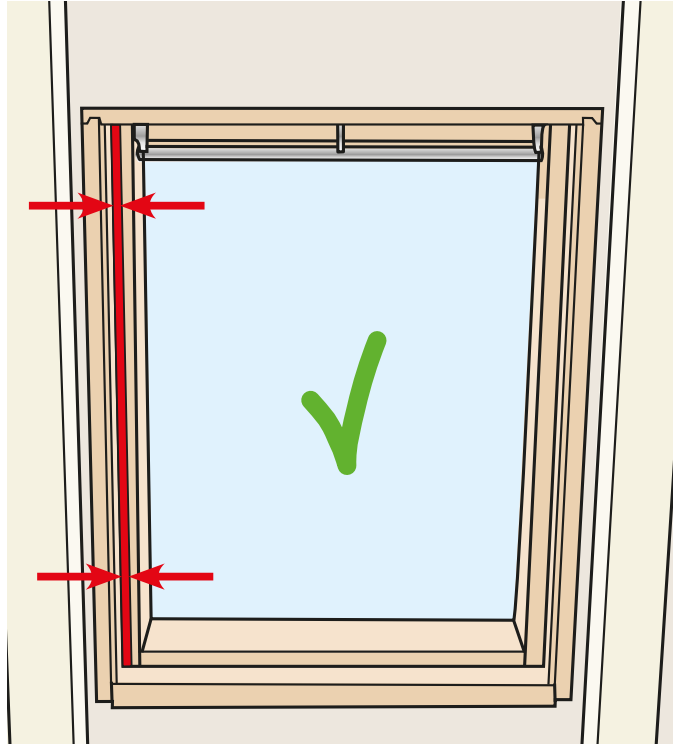
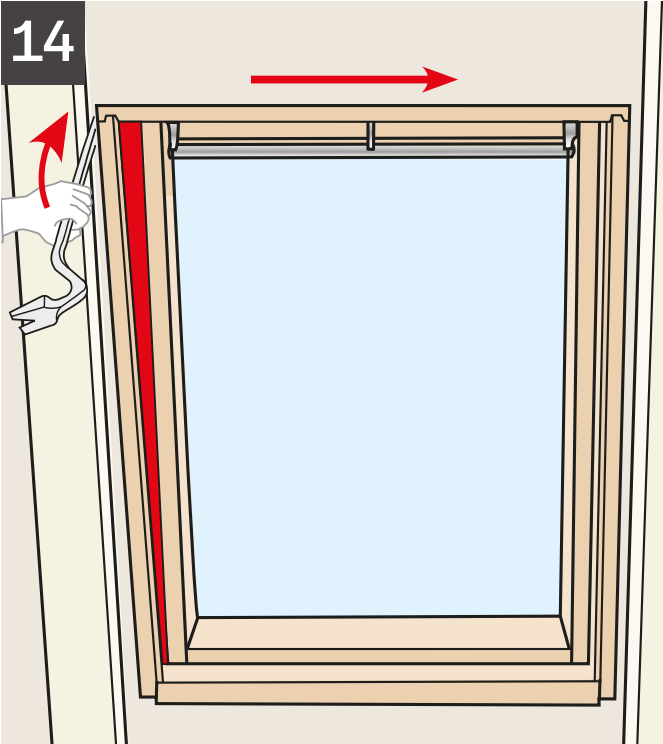
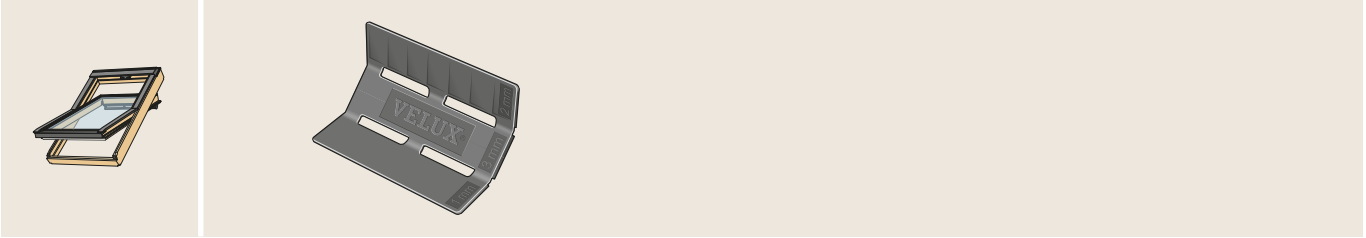
BP 1



12

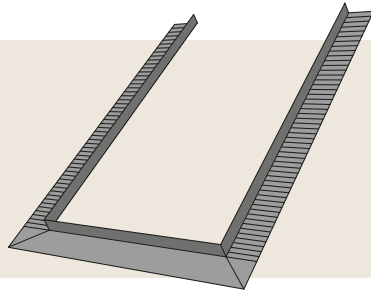




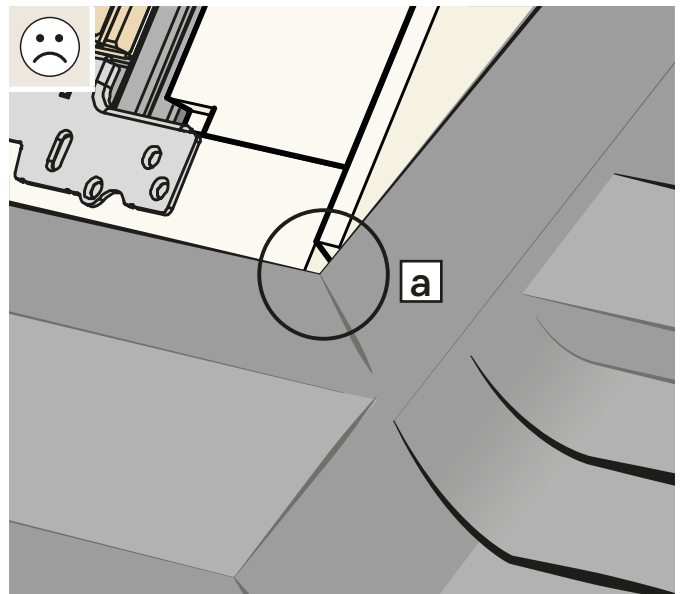
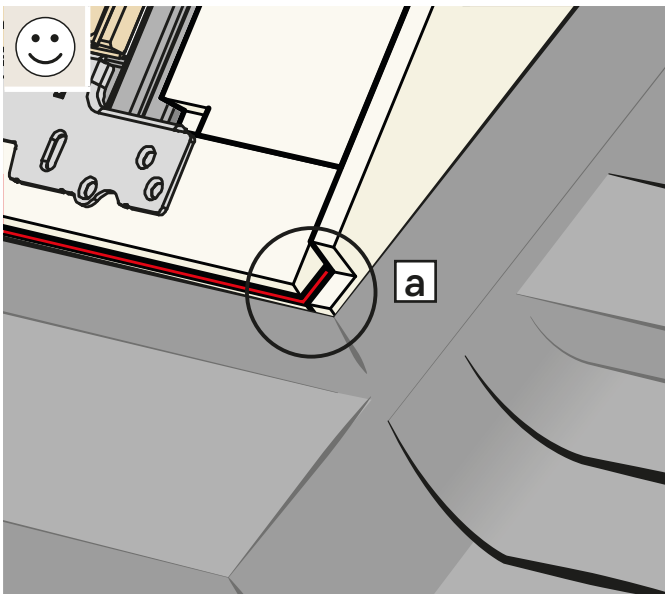
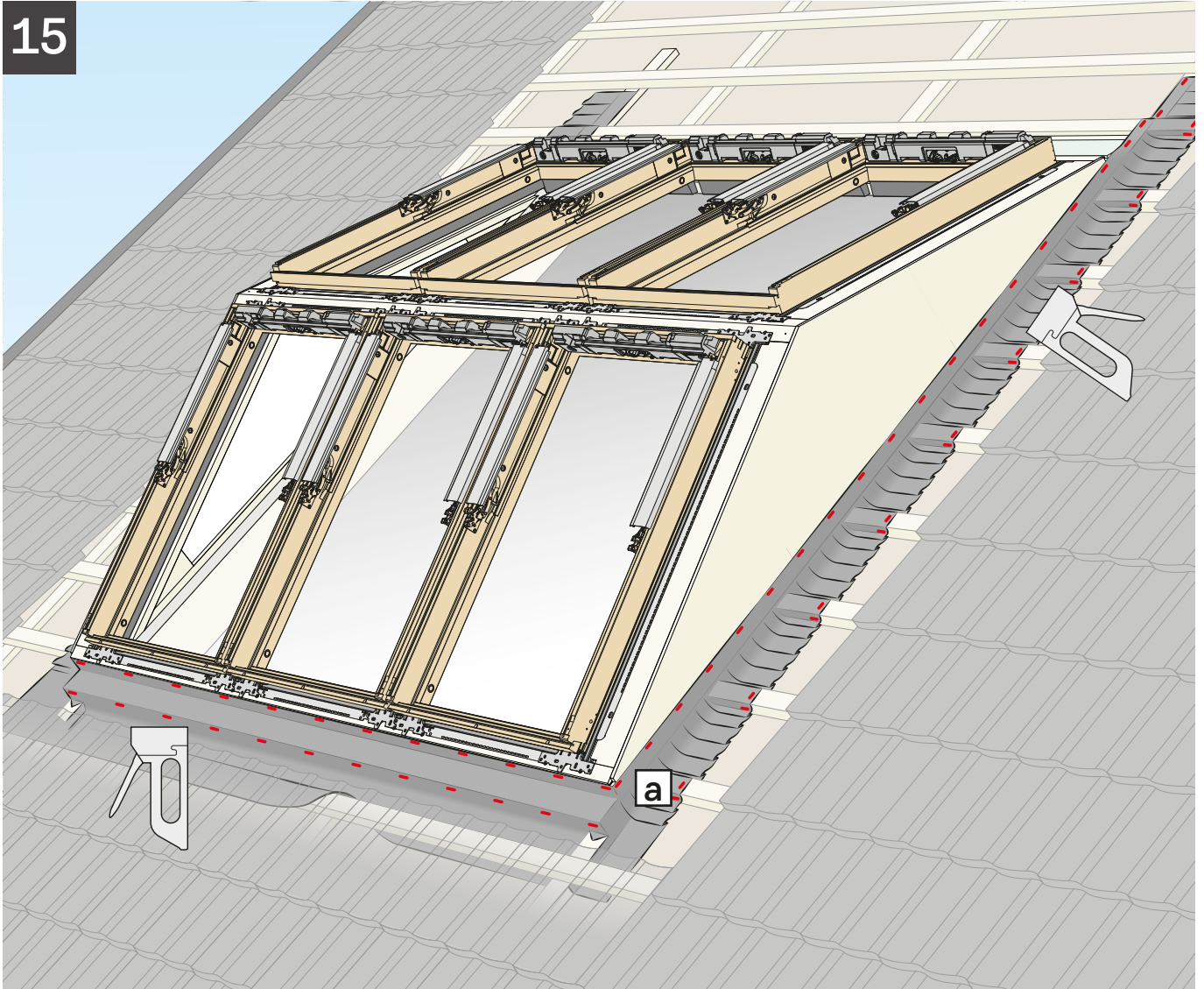


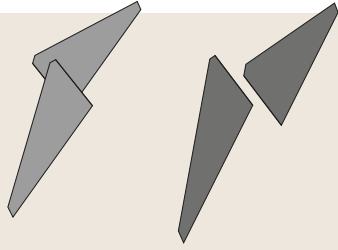


4

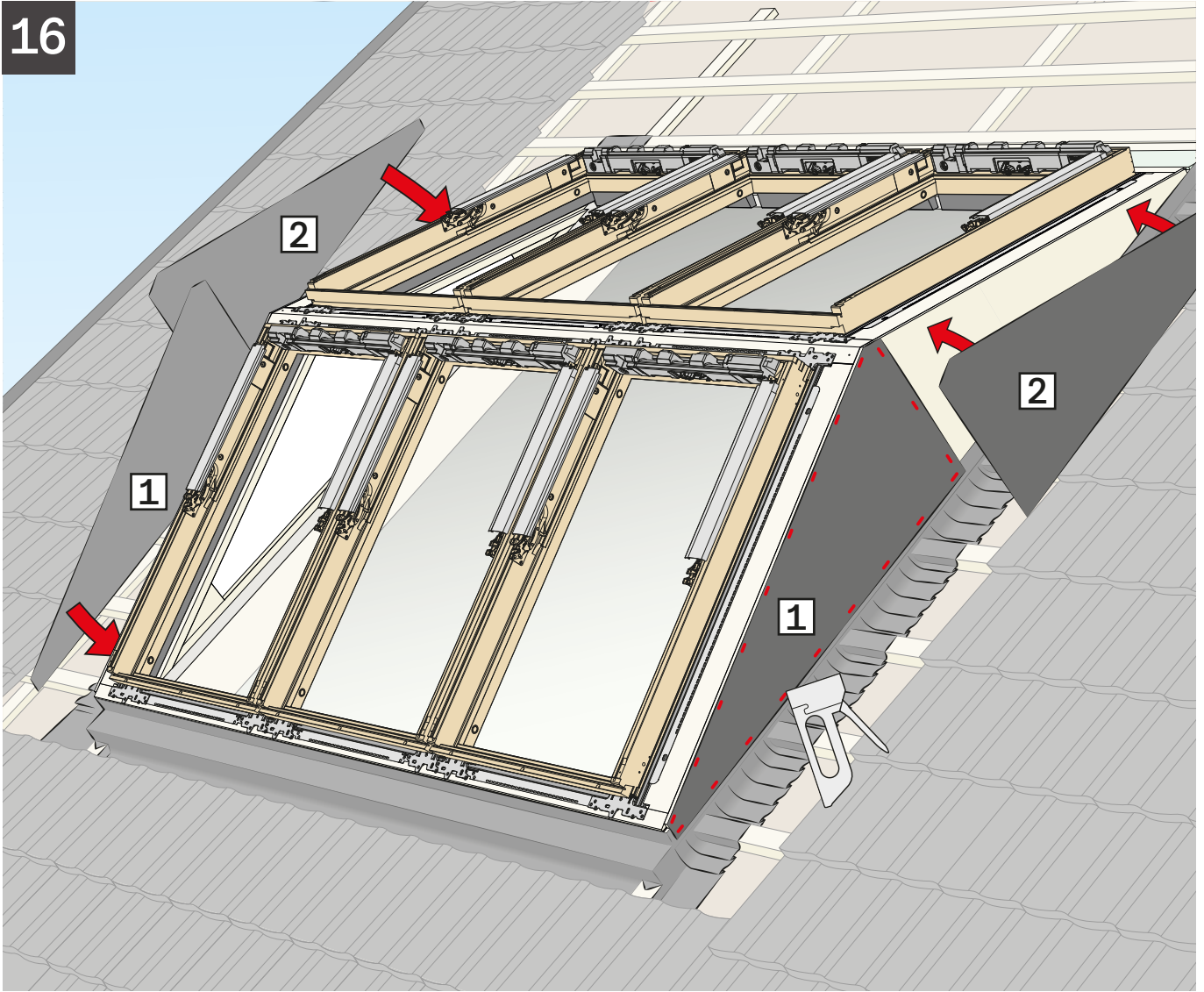


15

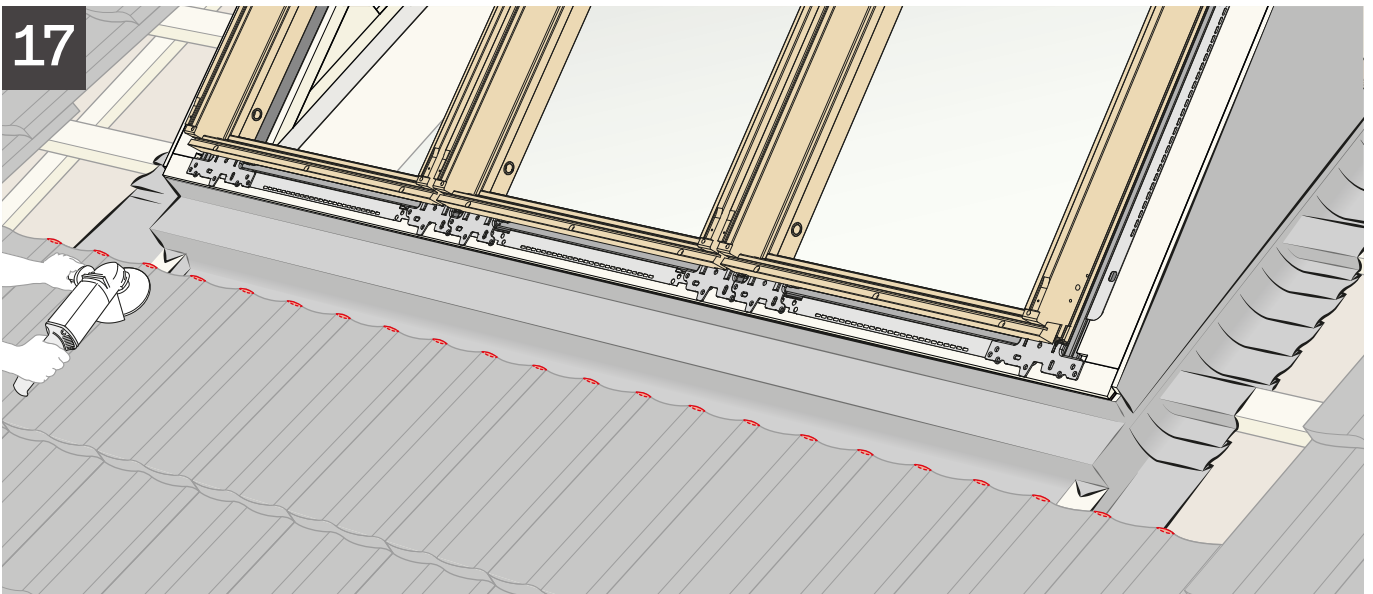


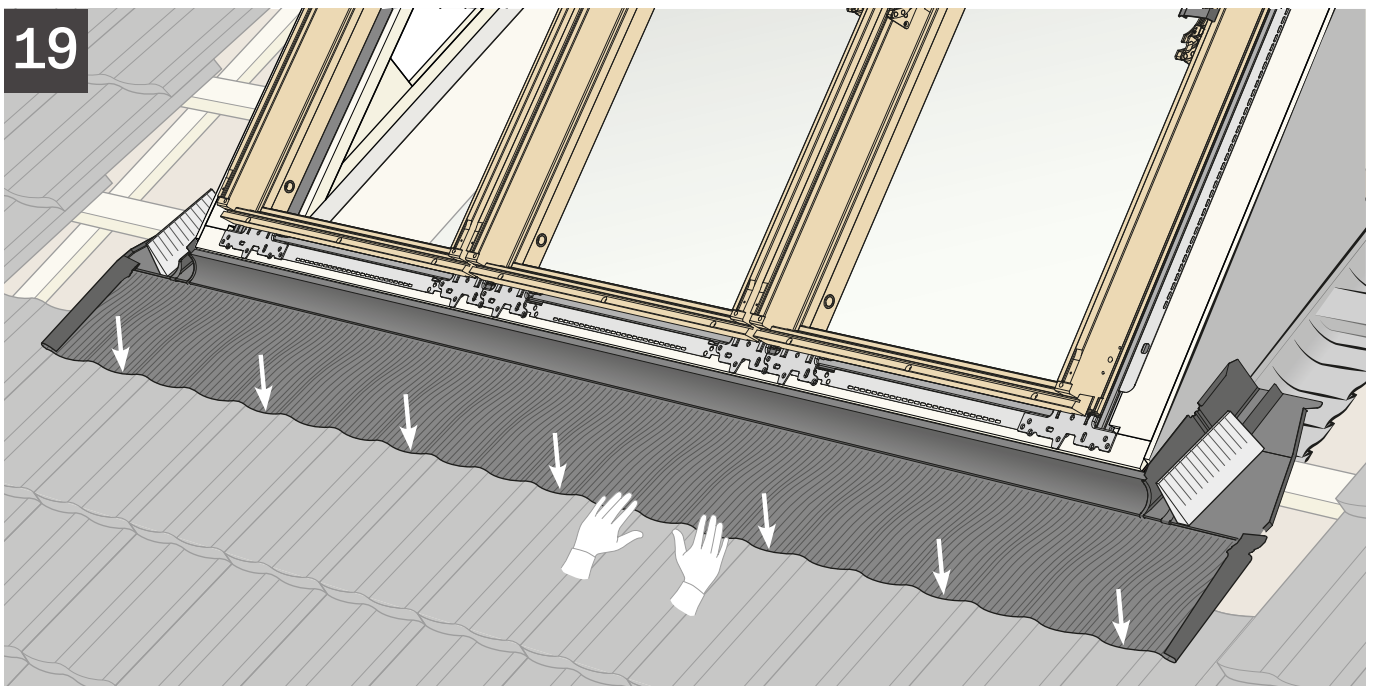
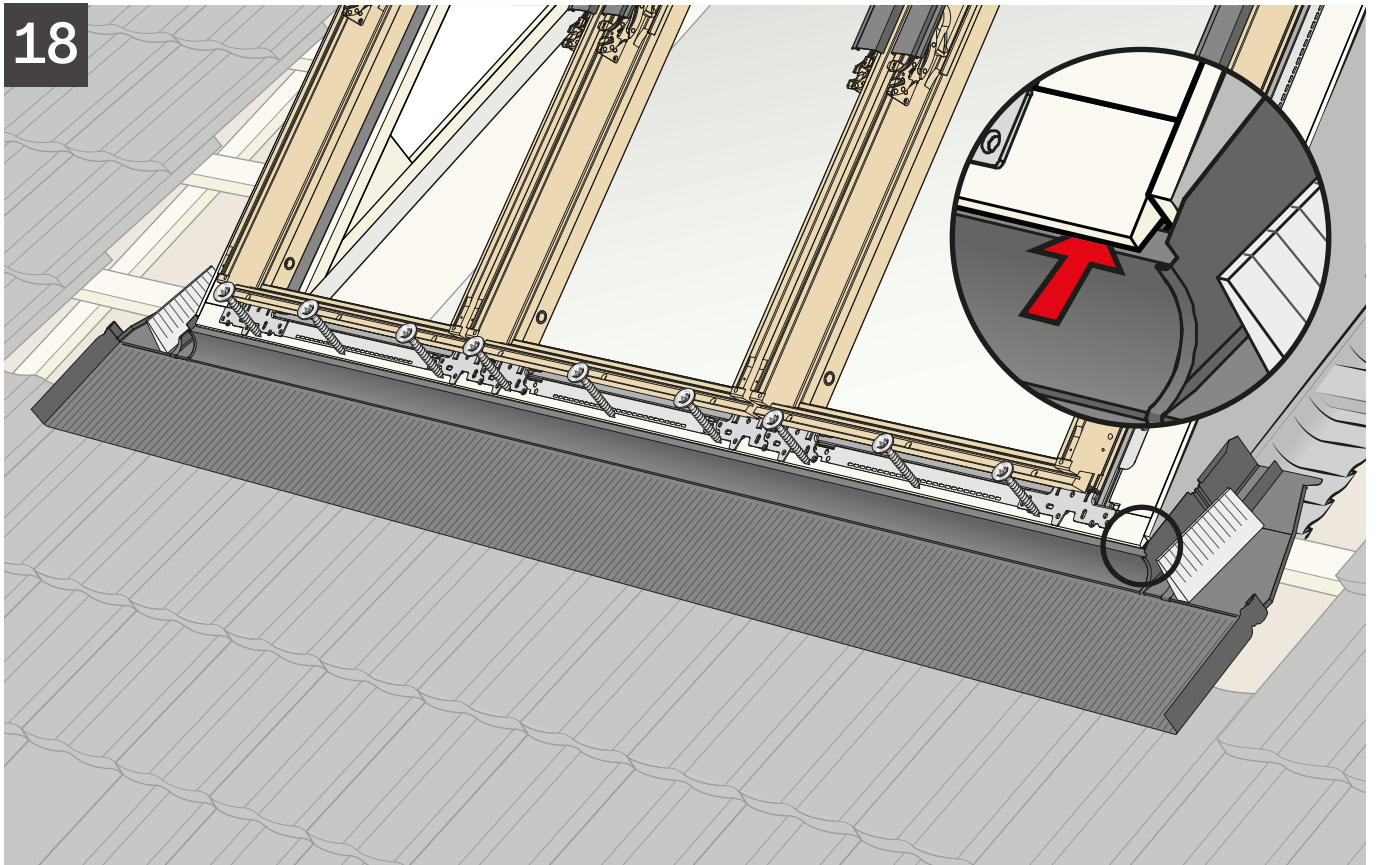
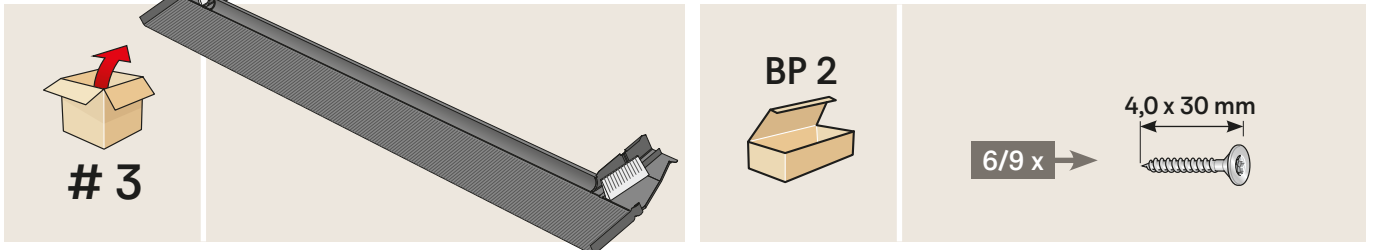


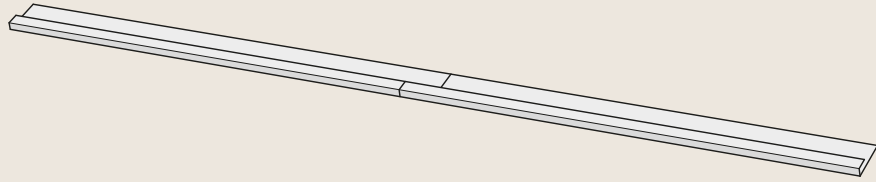
16



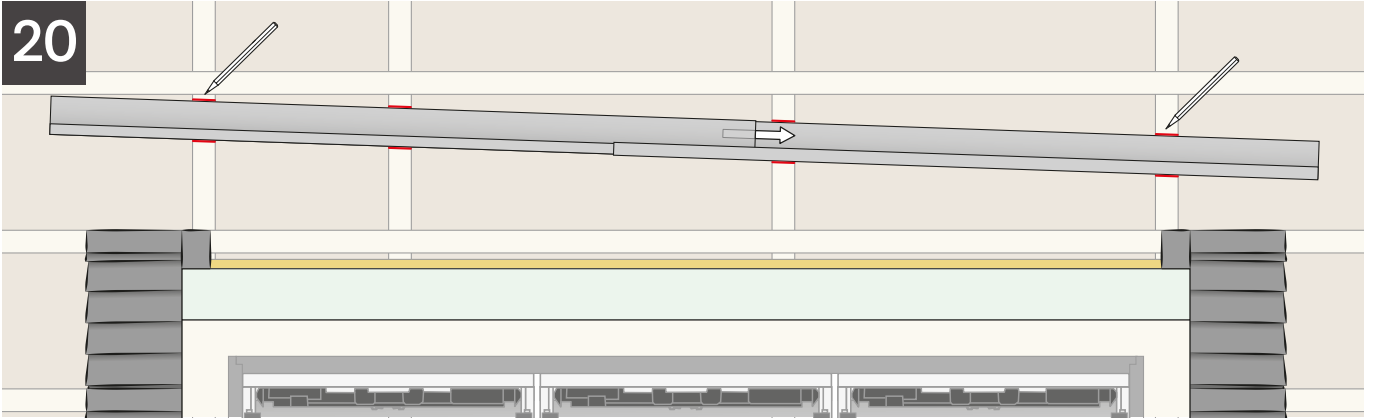
17



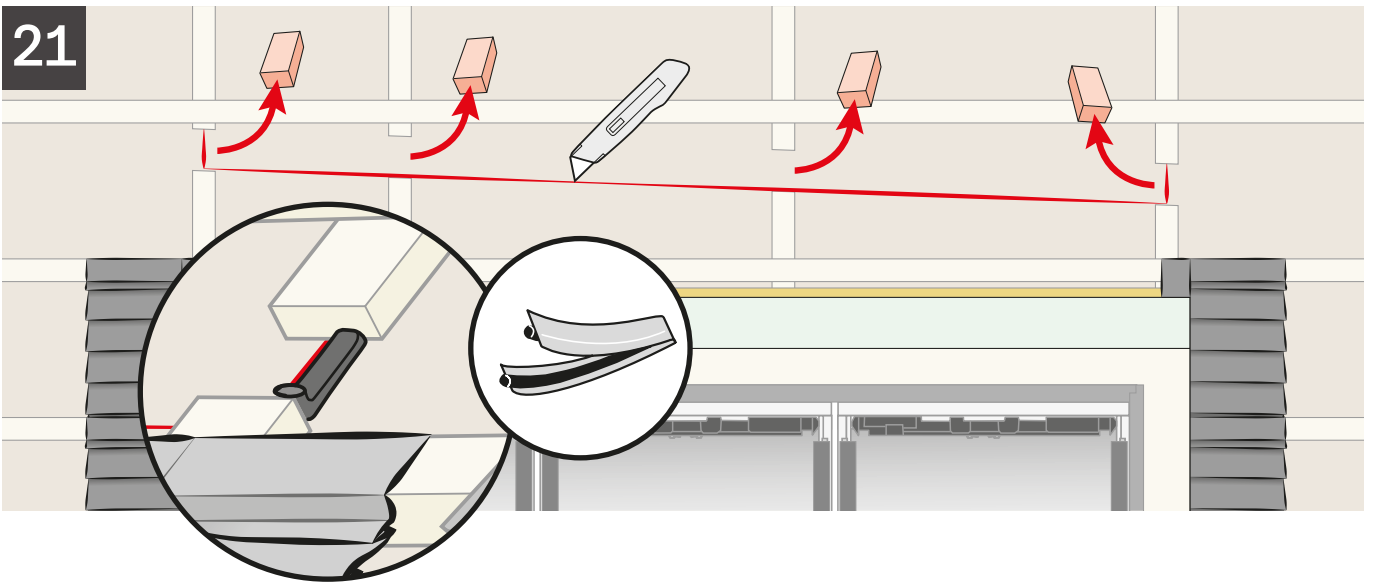




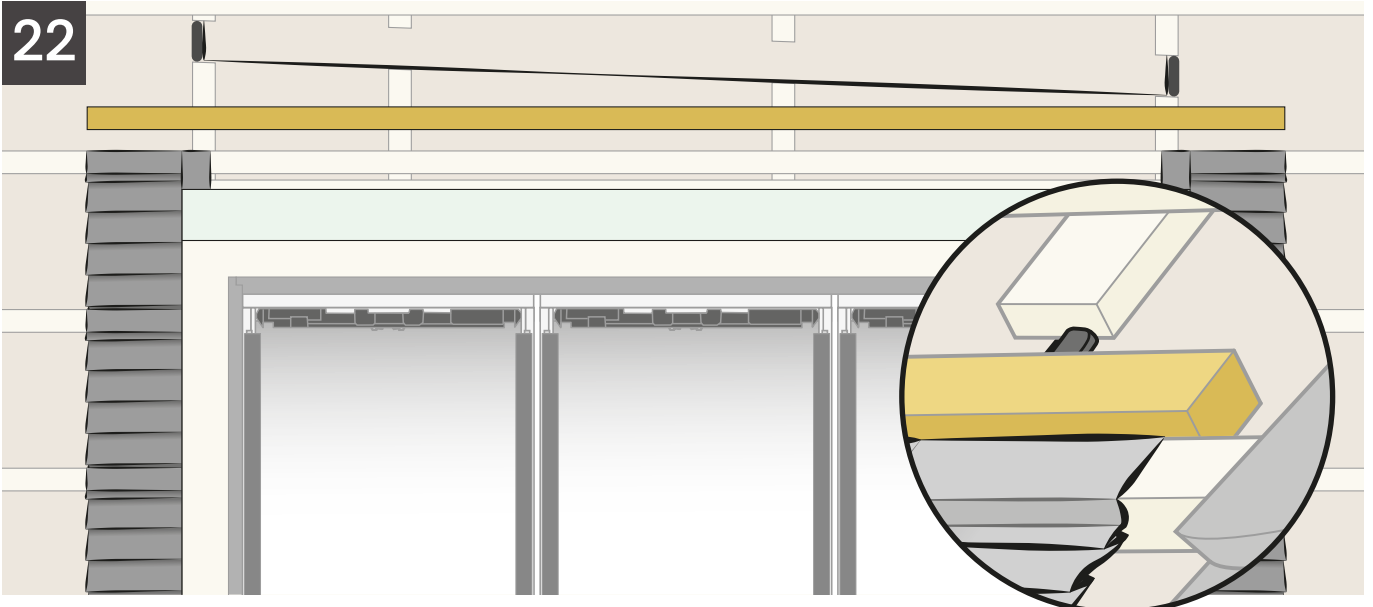
20



21

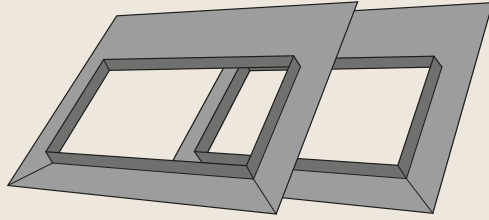


22

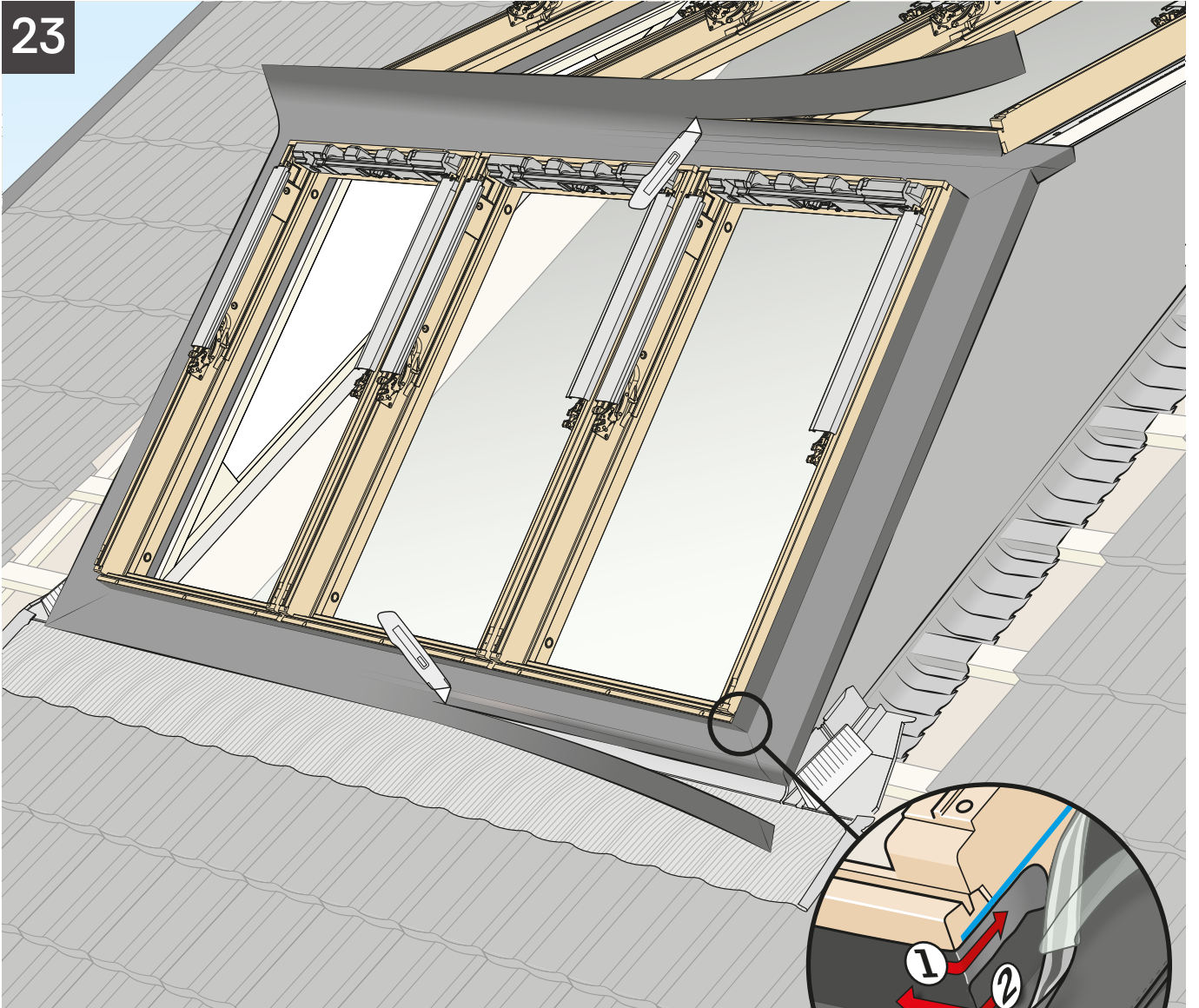




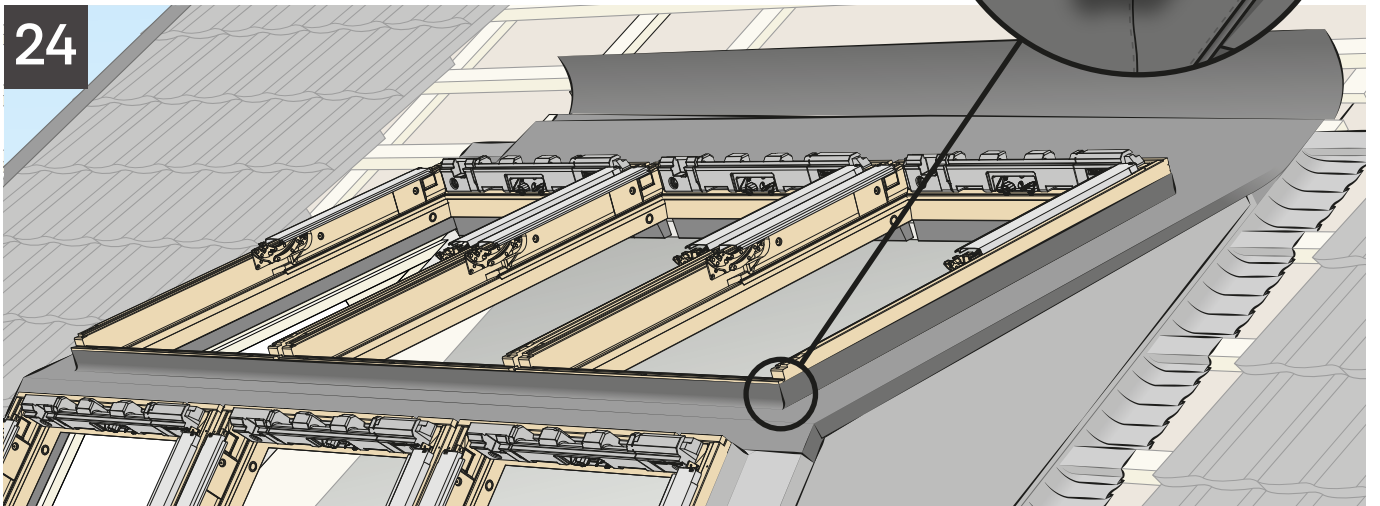
4



23

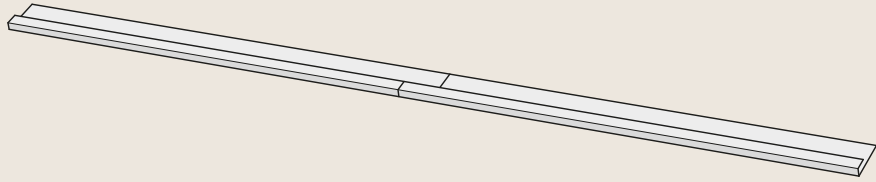


24

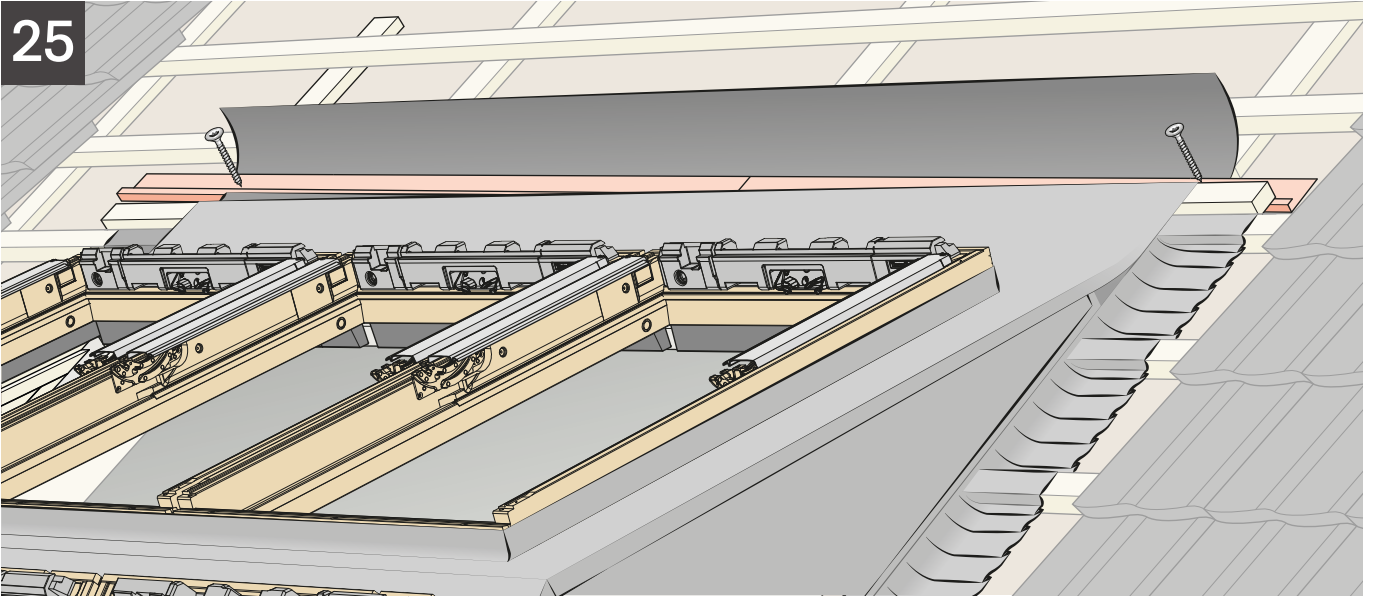




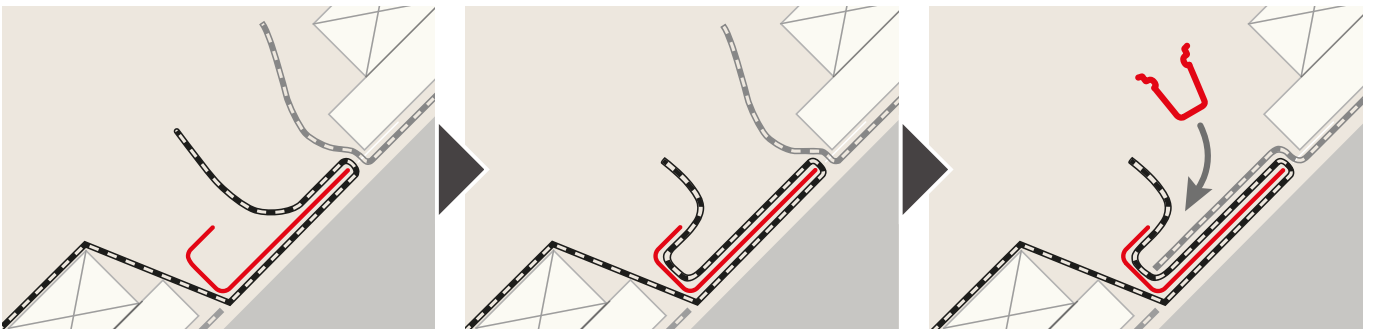
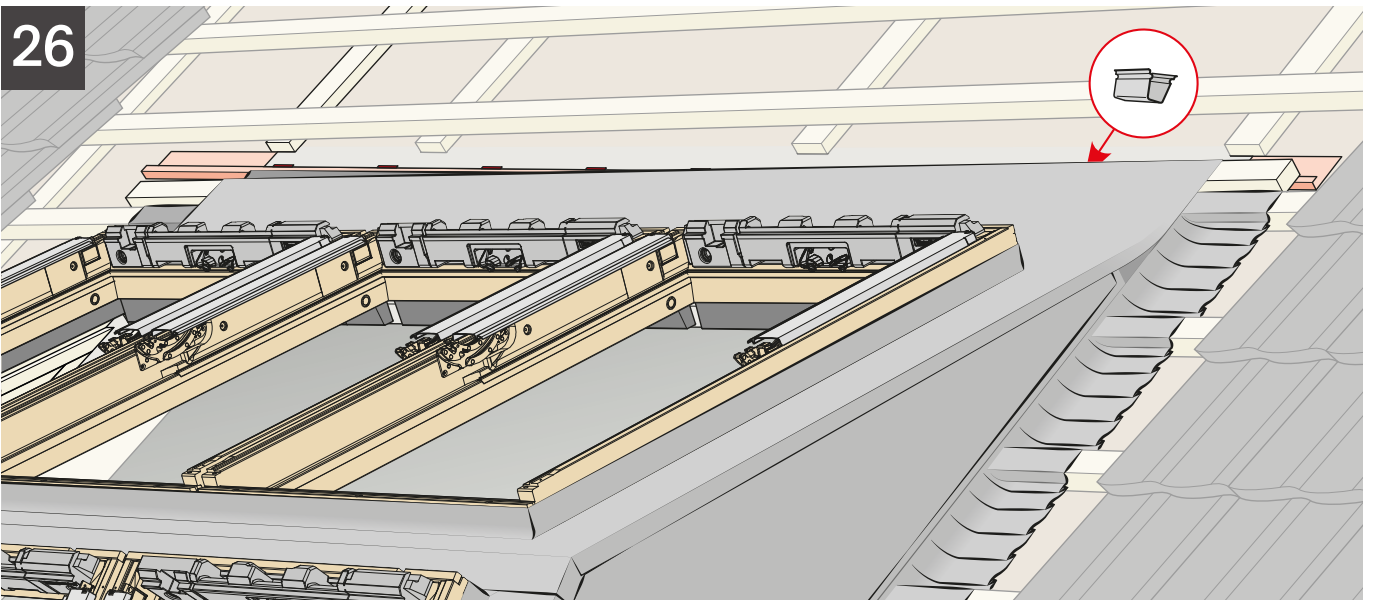
4

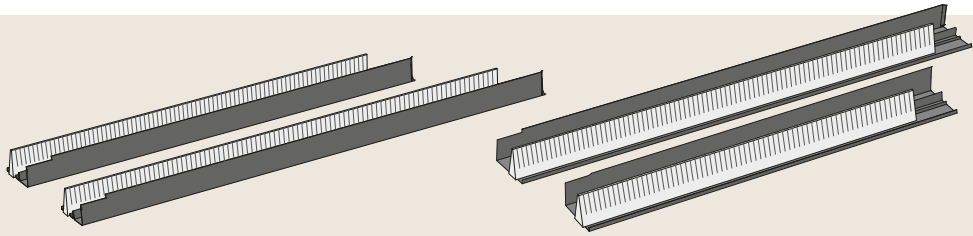


25

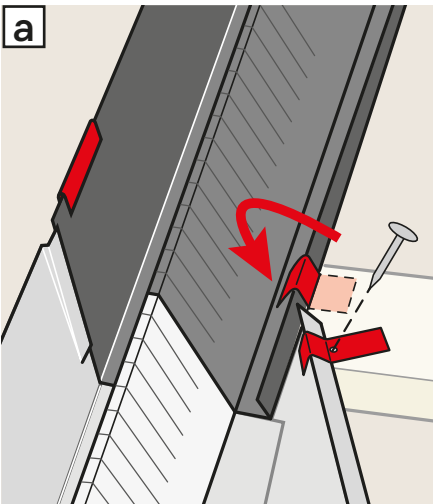
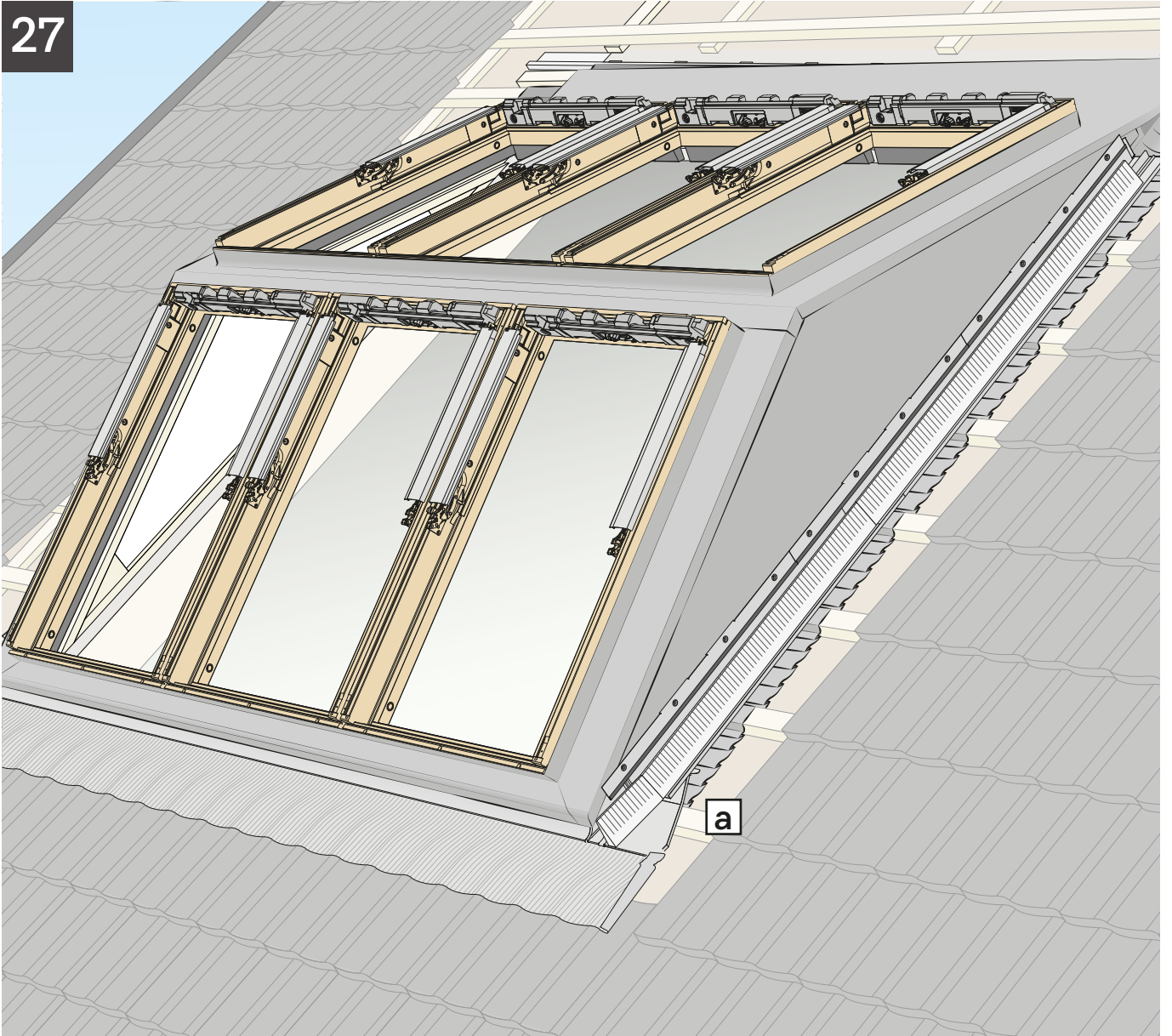


26



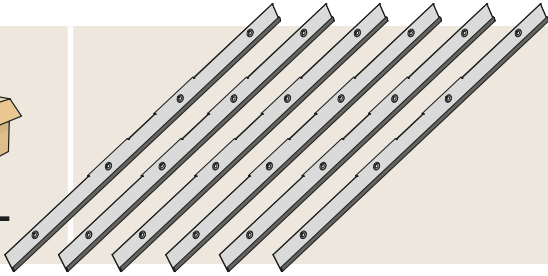


27





1

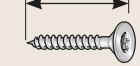


BP 2

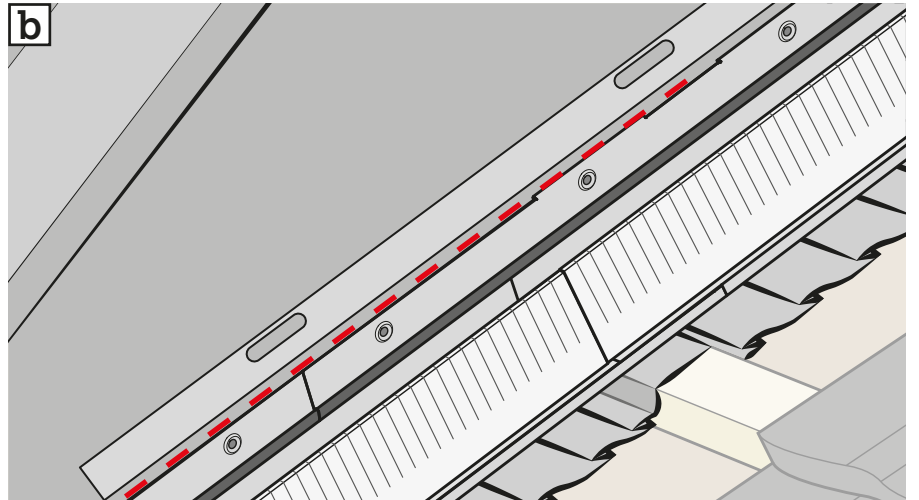
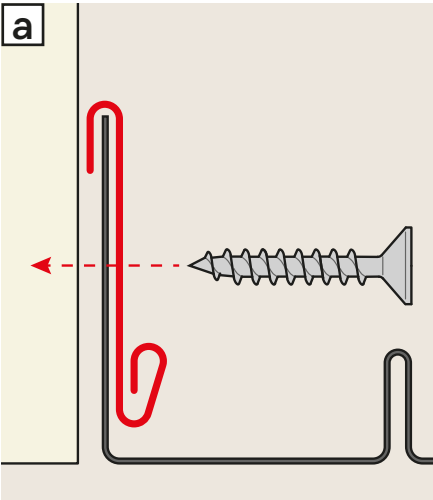
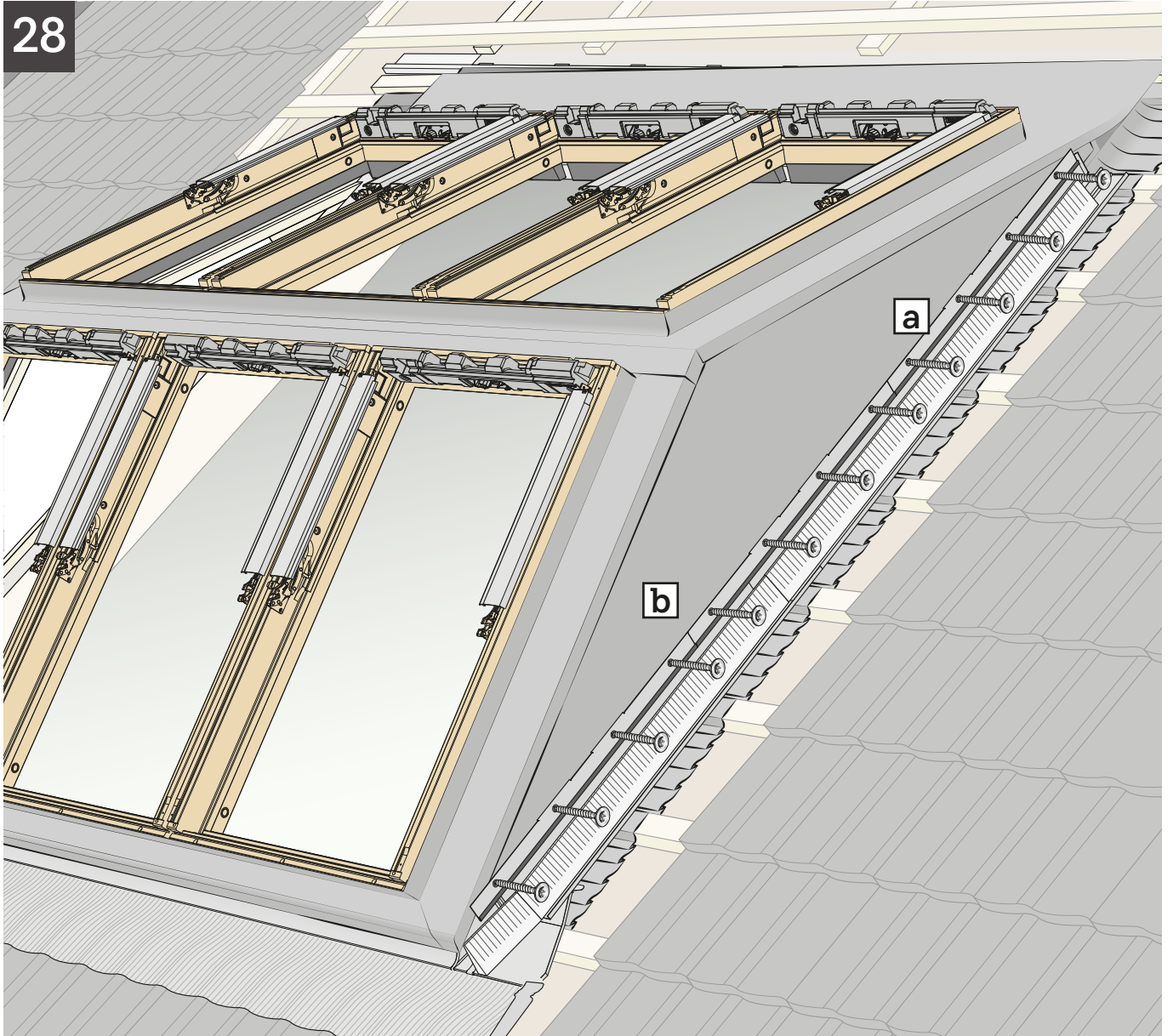


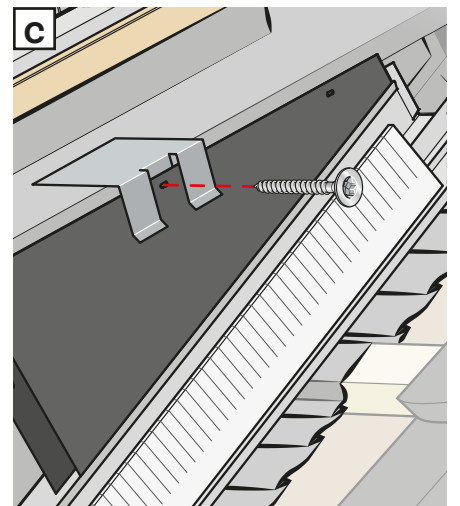
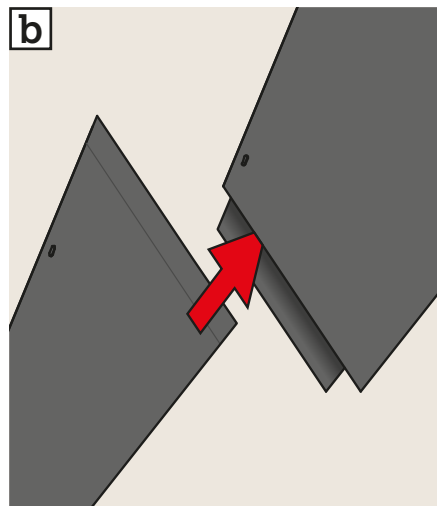
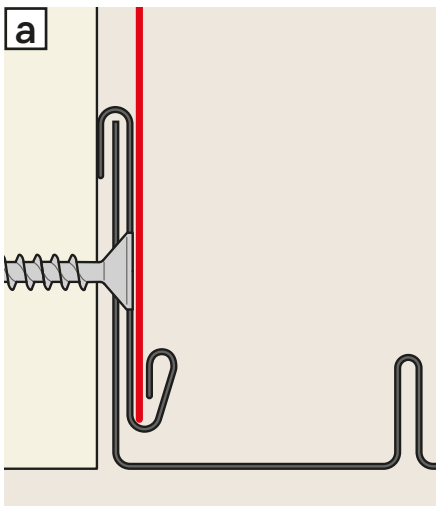
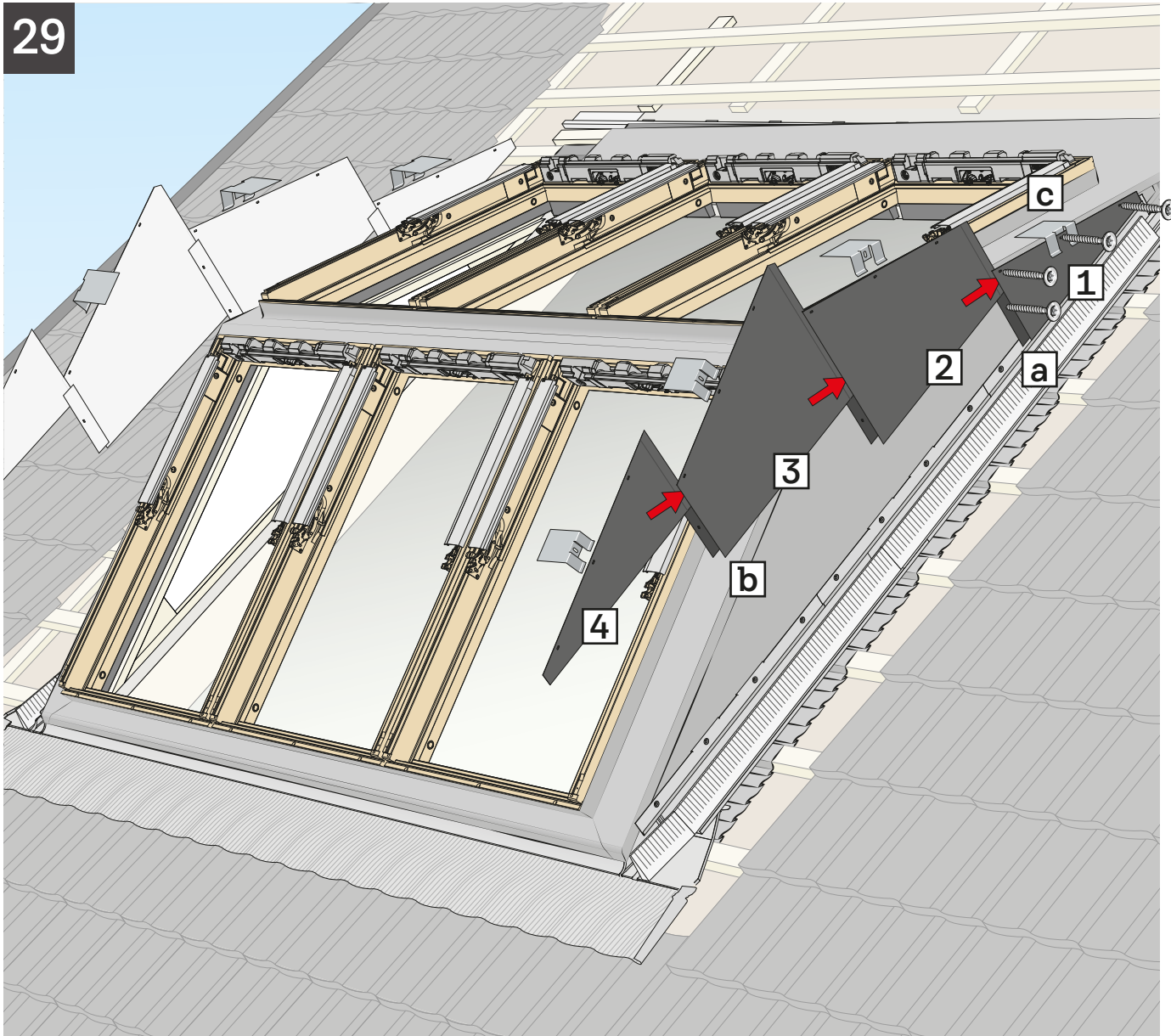
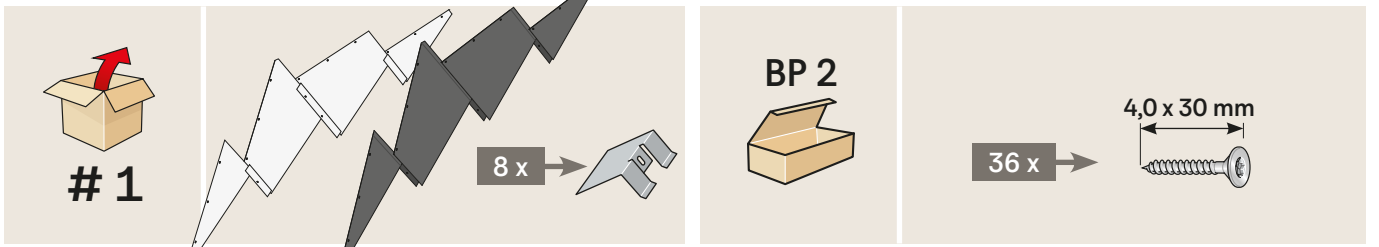
24 x

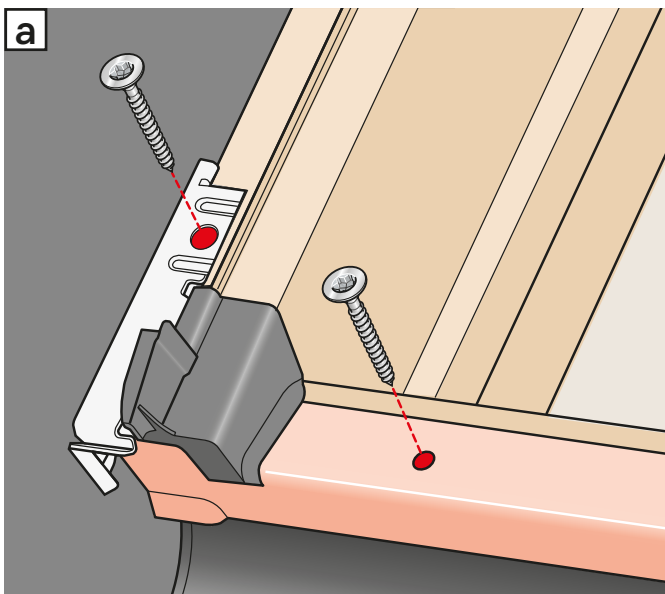
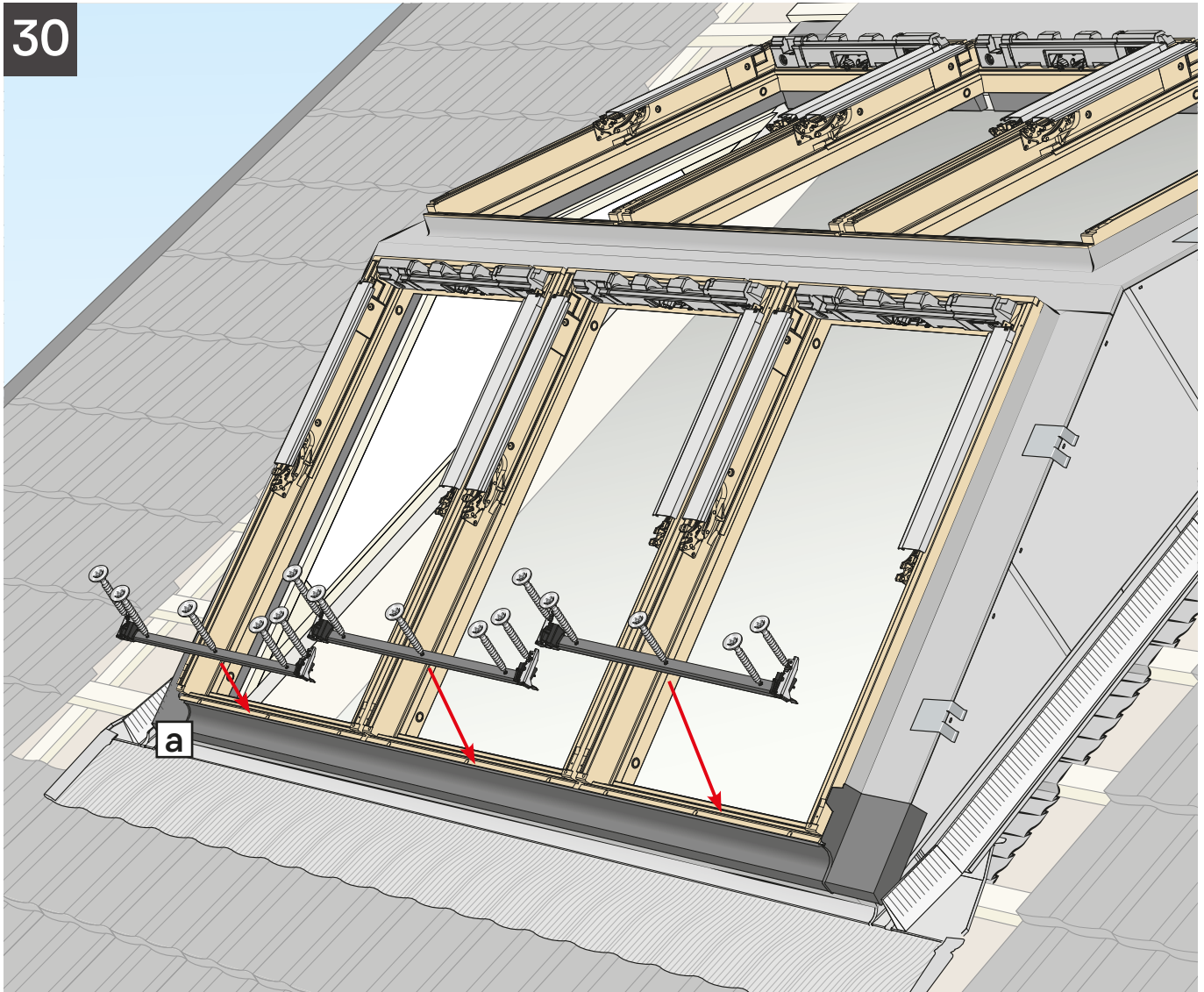
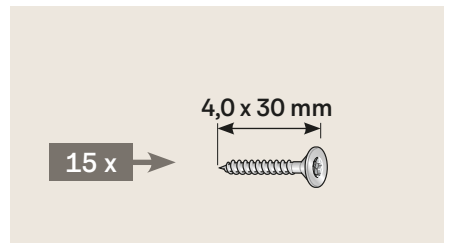
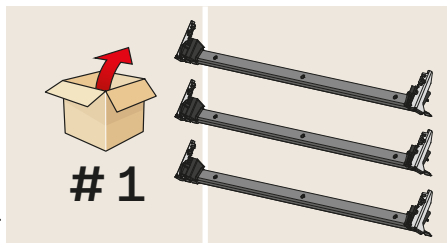
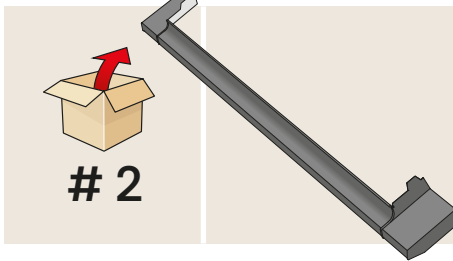
4,0 x 30 mm



28

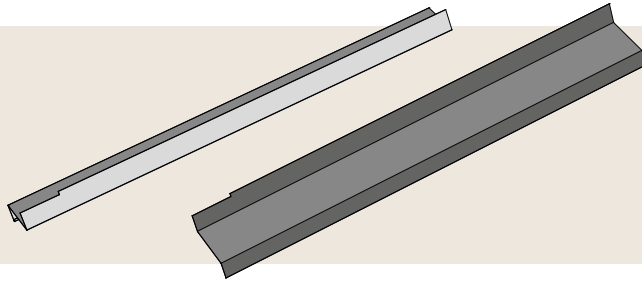




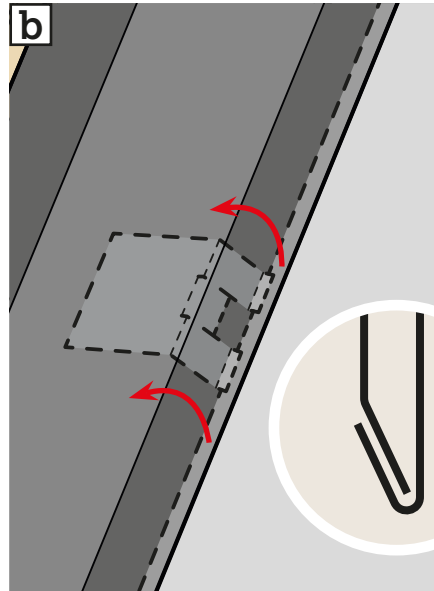
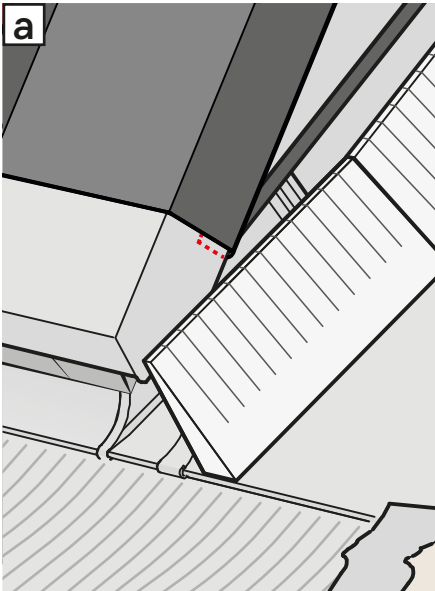
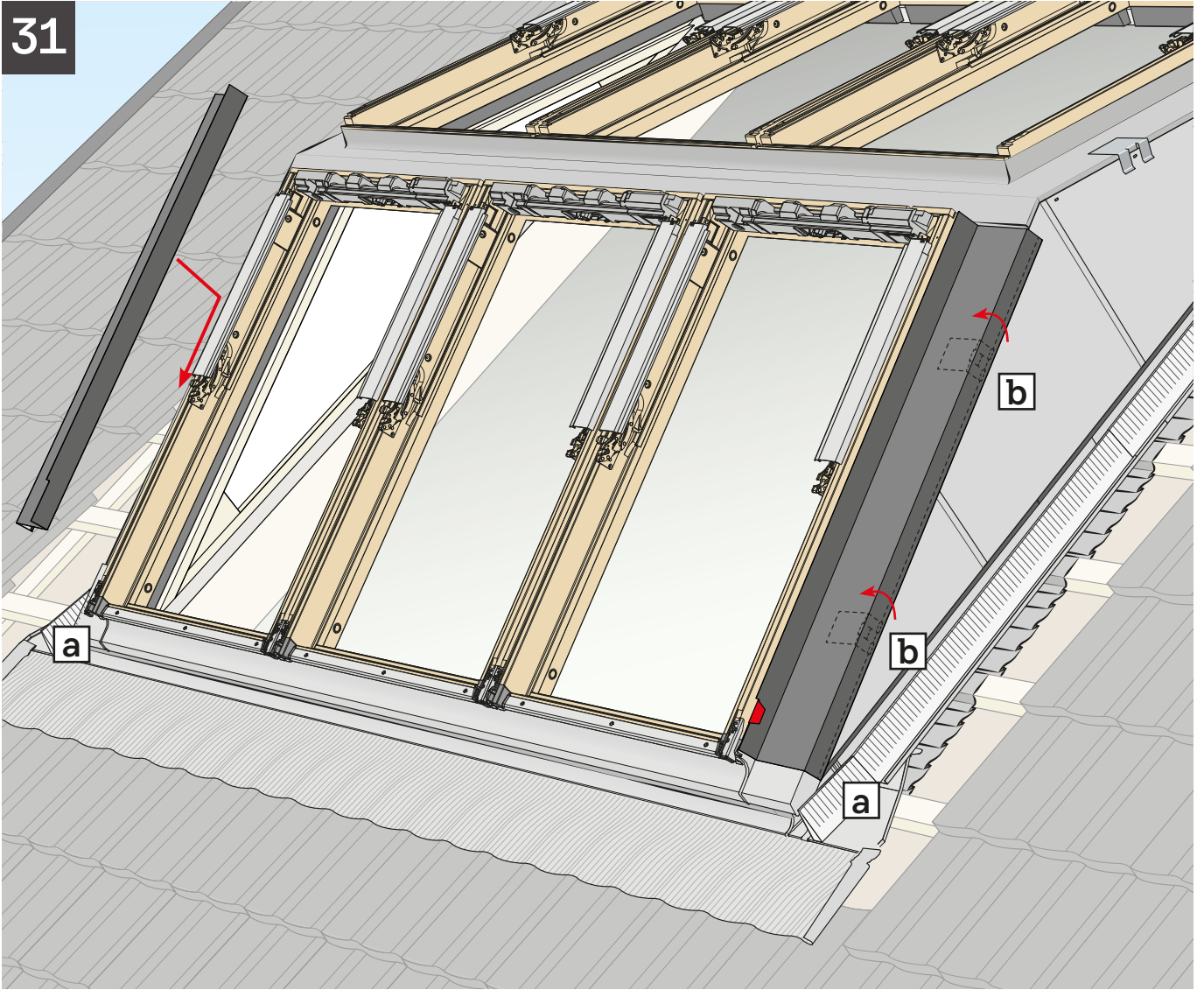


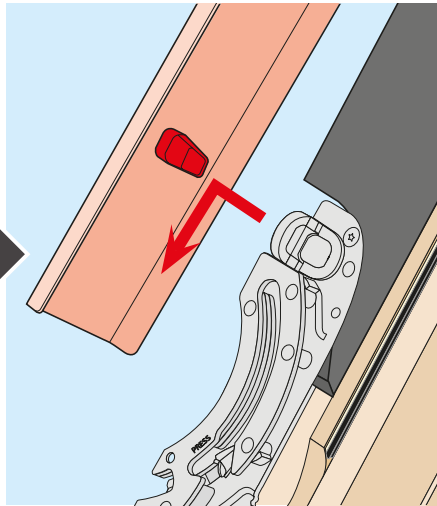
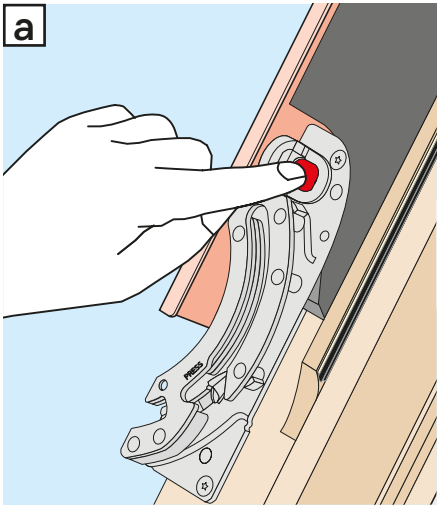
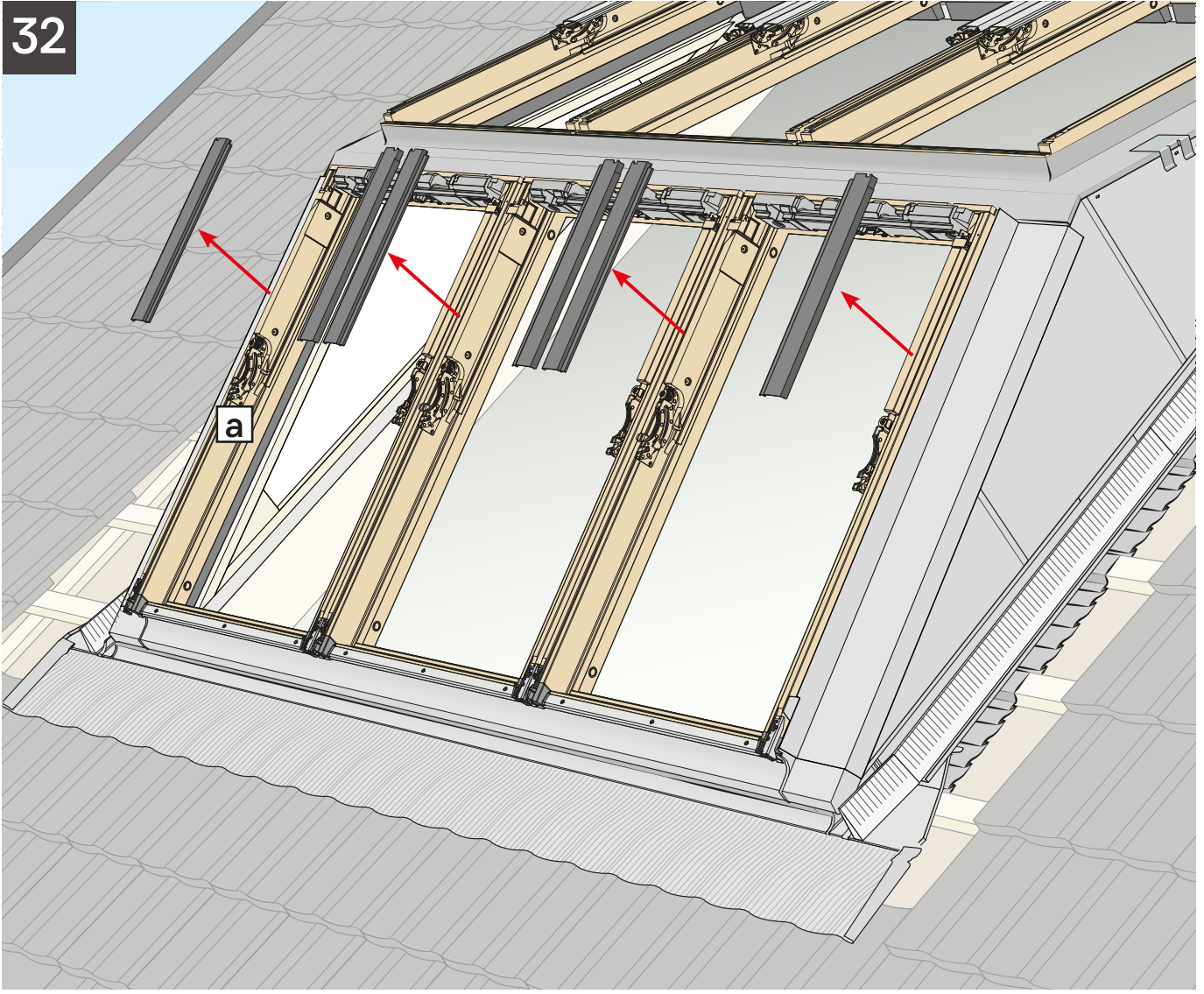


3



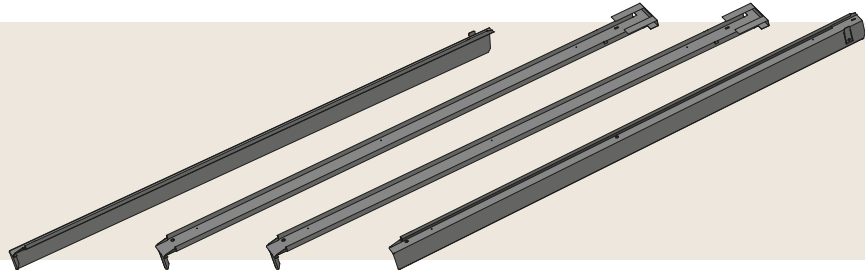
31



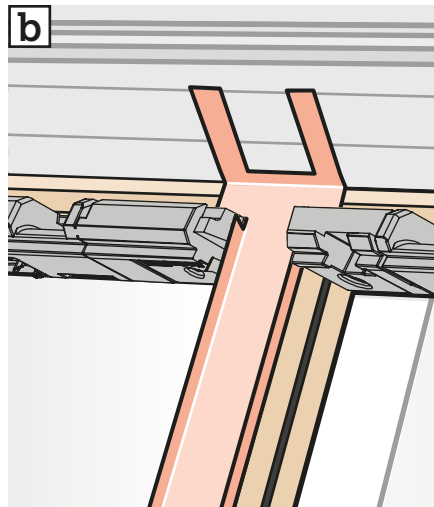
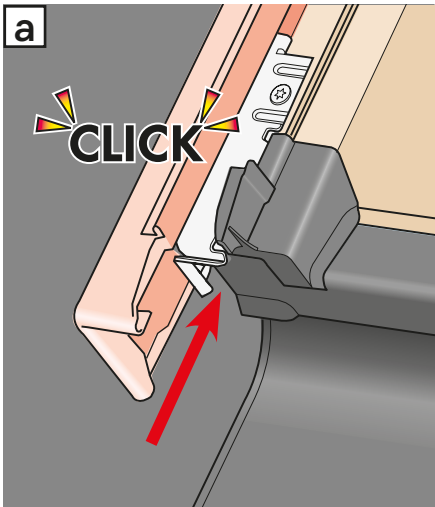
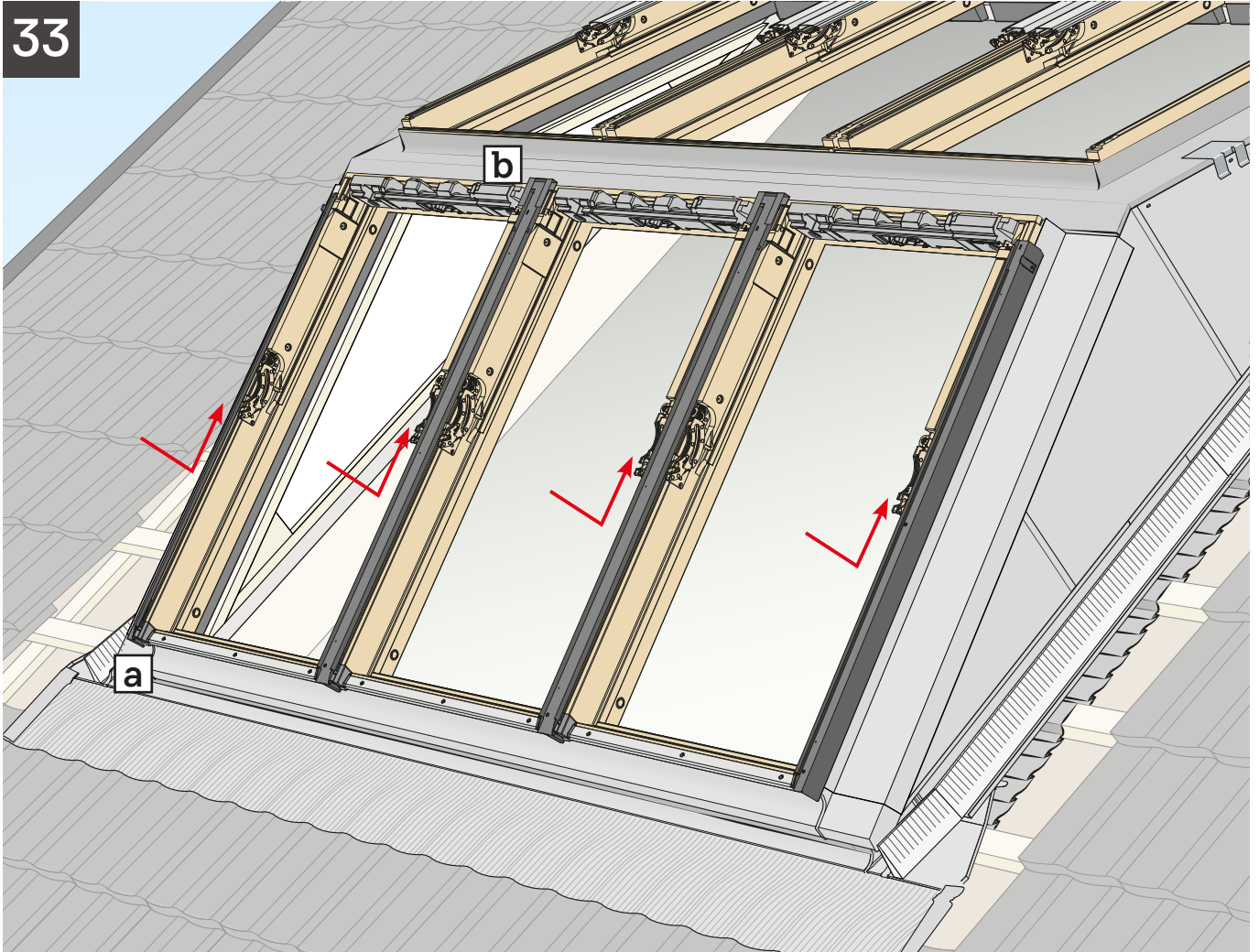




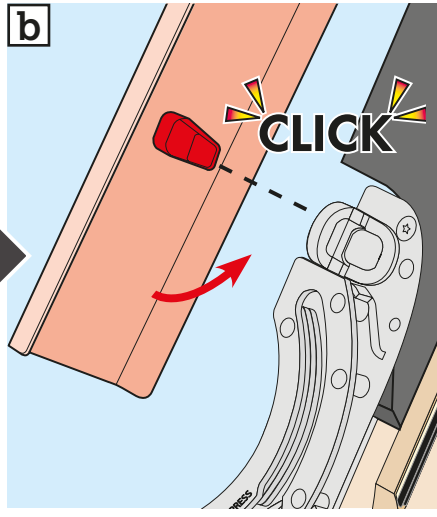
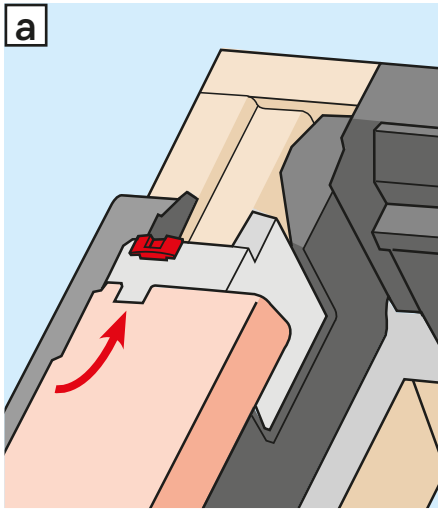
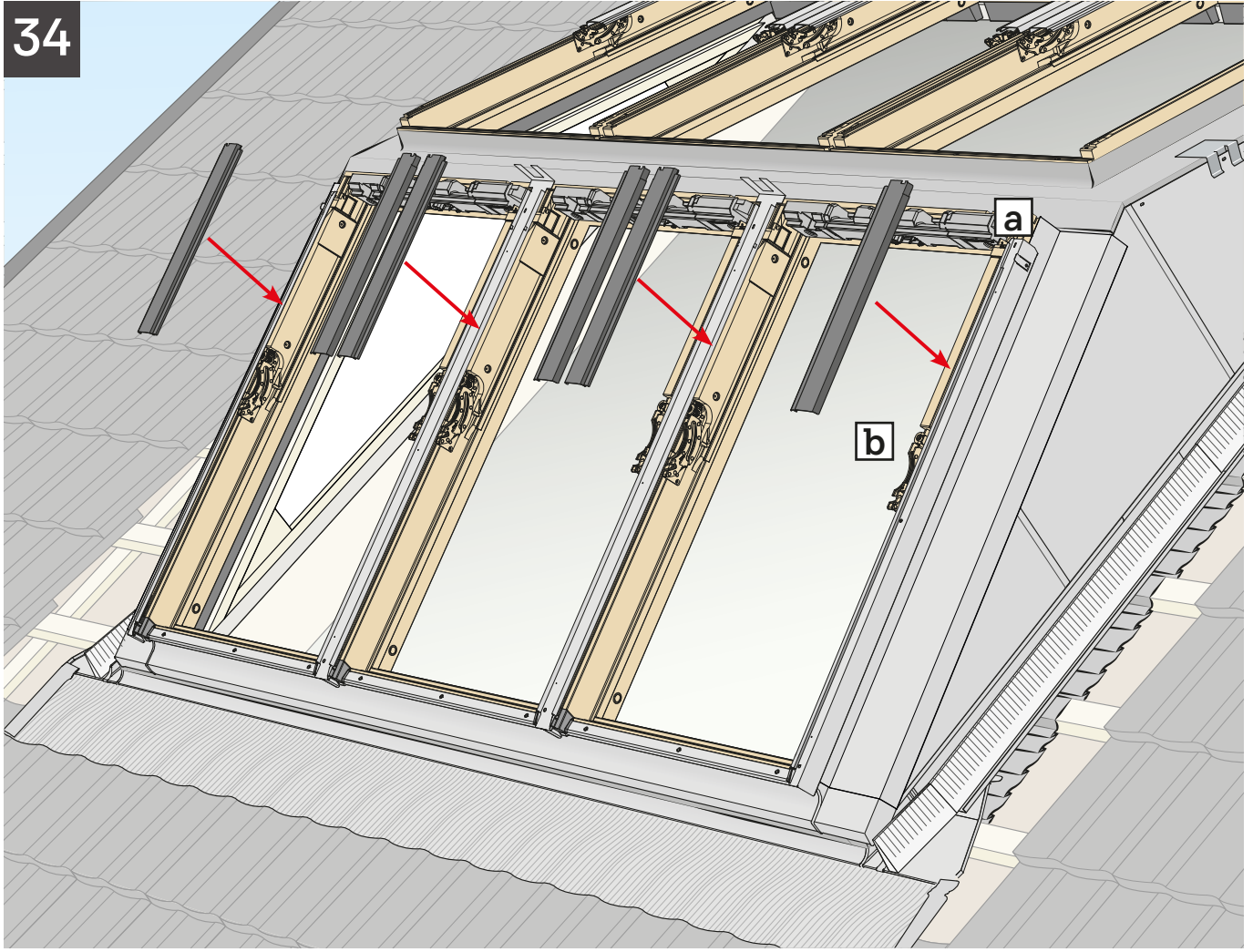
1

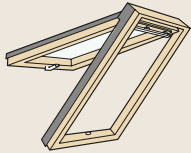
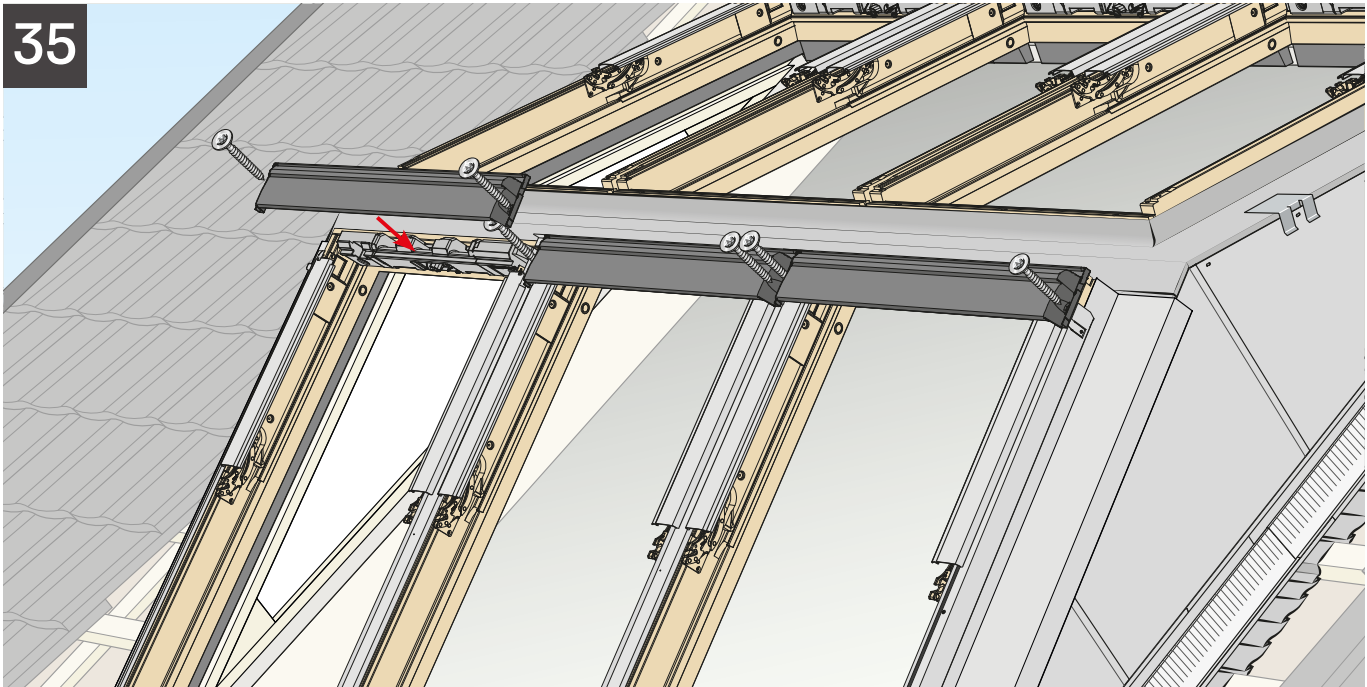
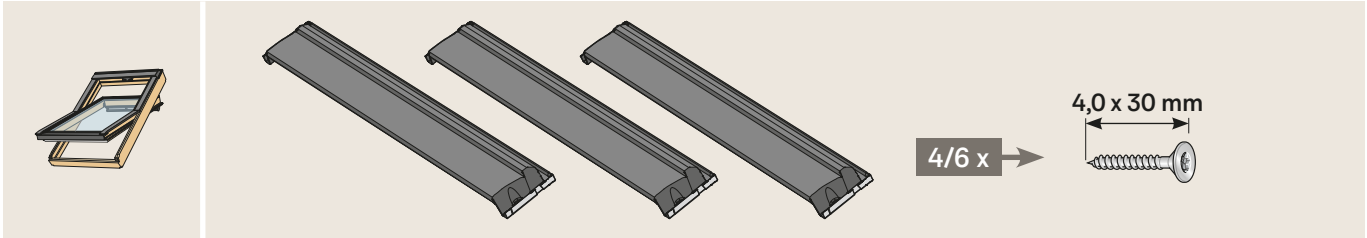


33

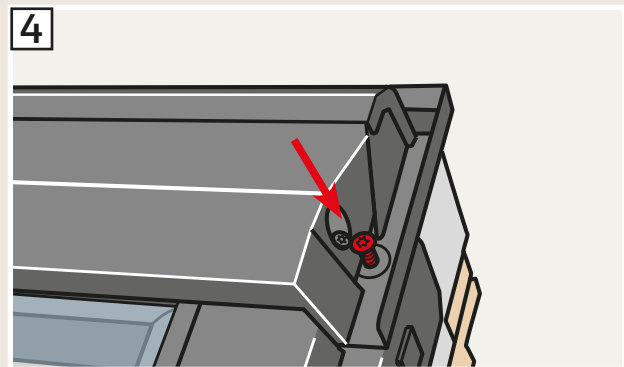
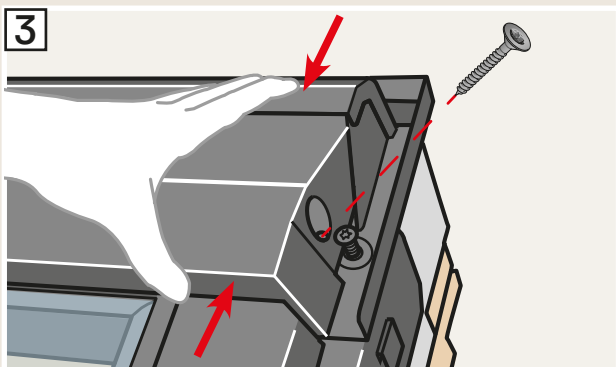
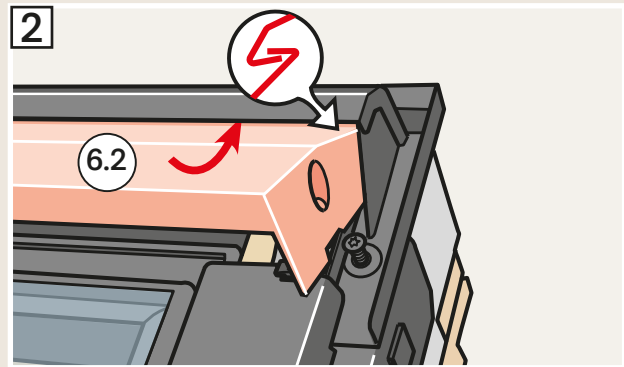
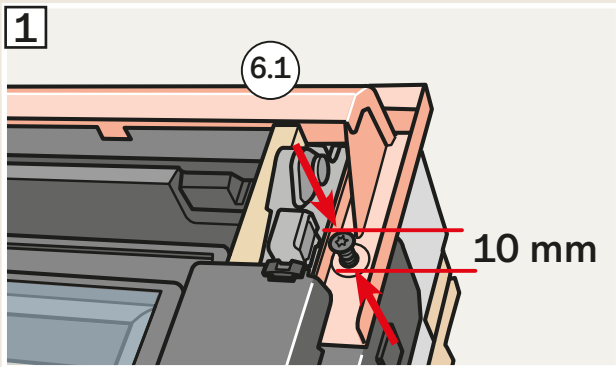


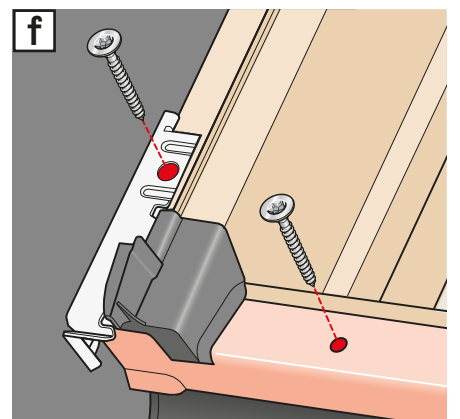
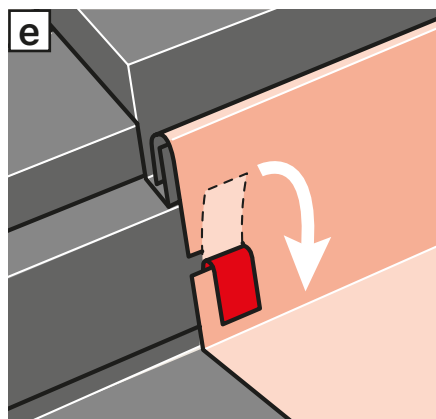
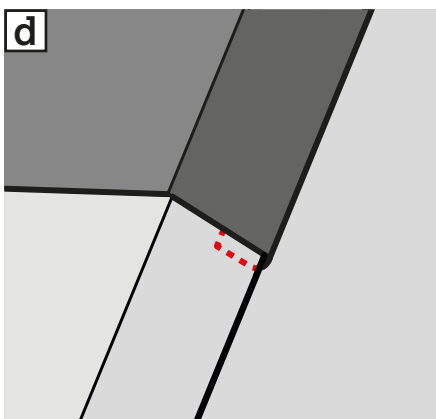
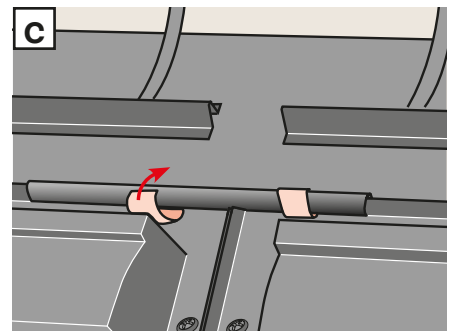
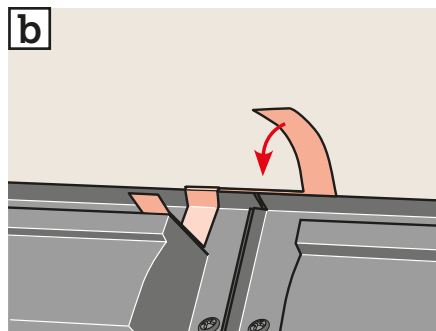
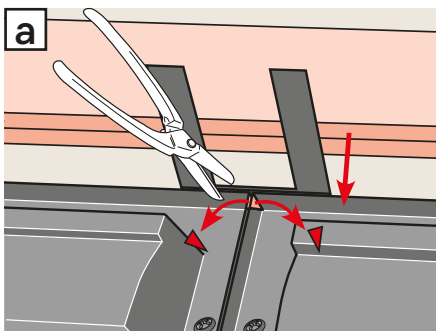
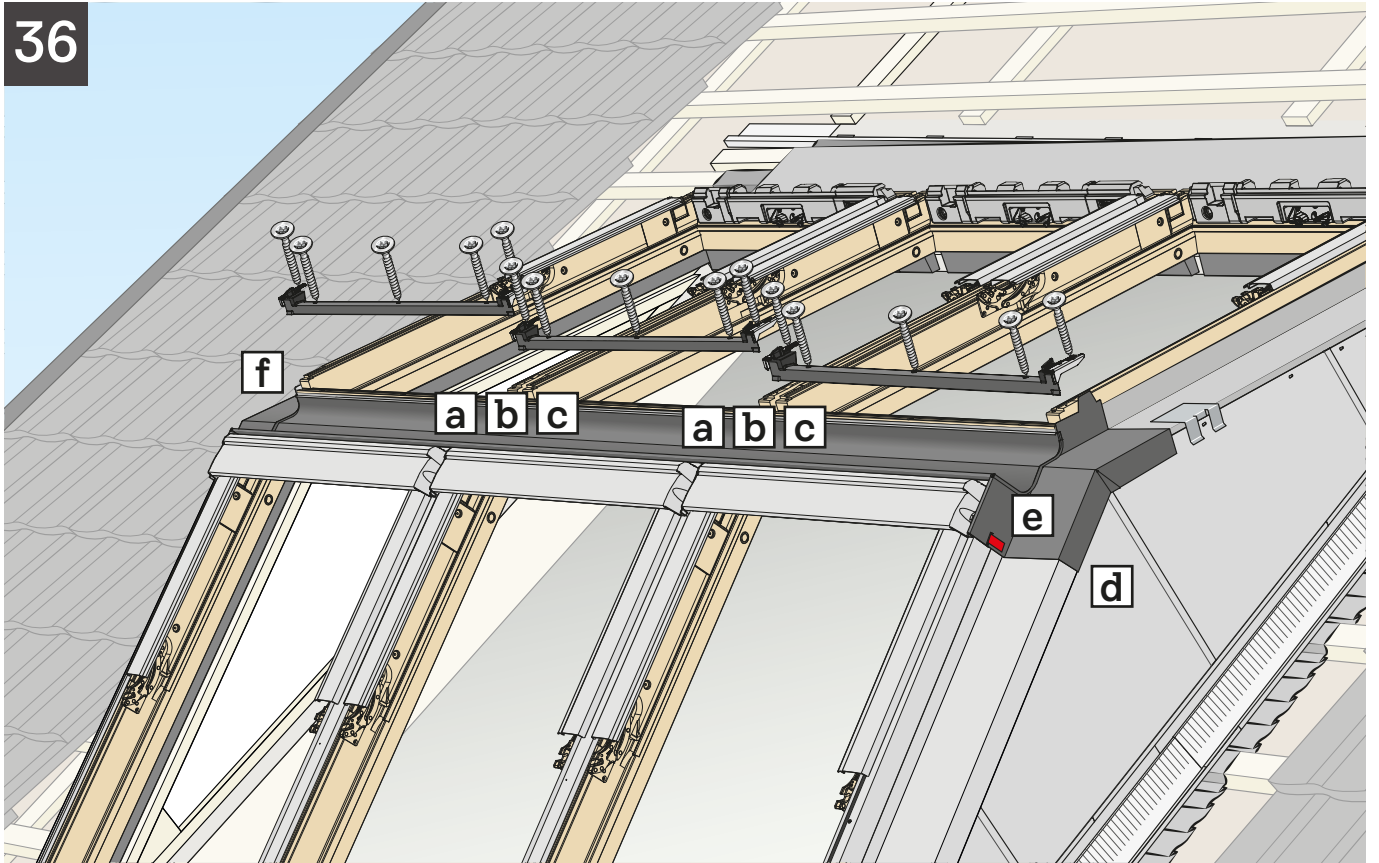
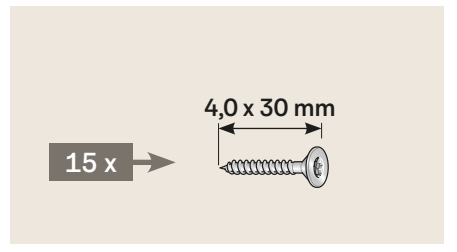
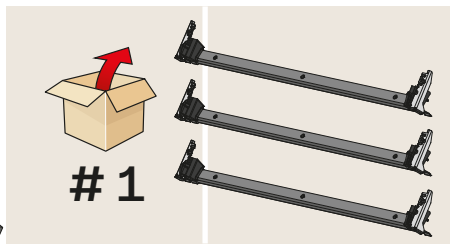
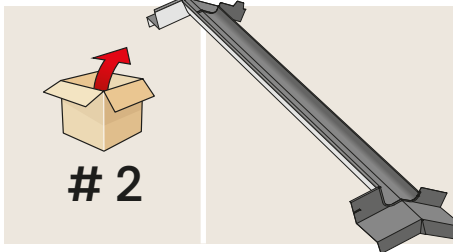
34





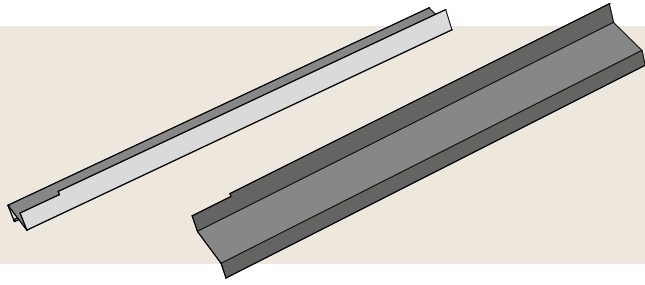
GPL / GPU



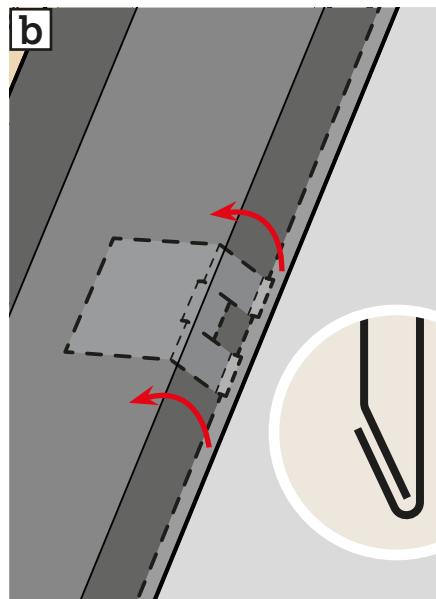
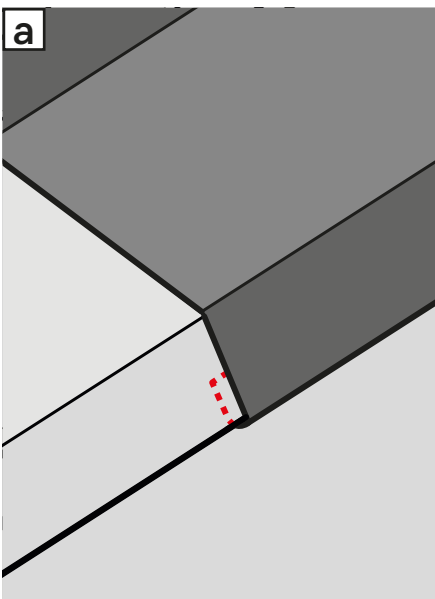
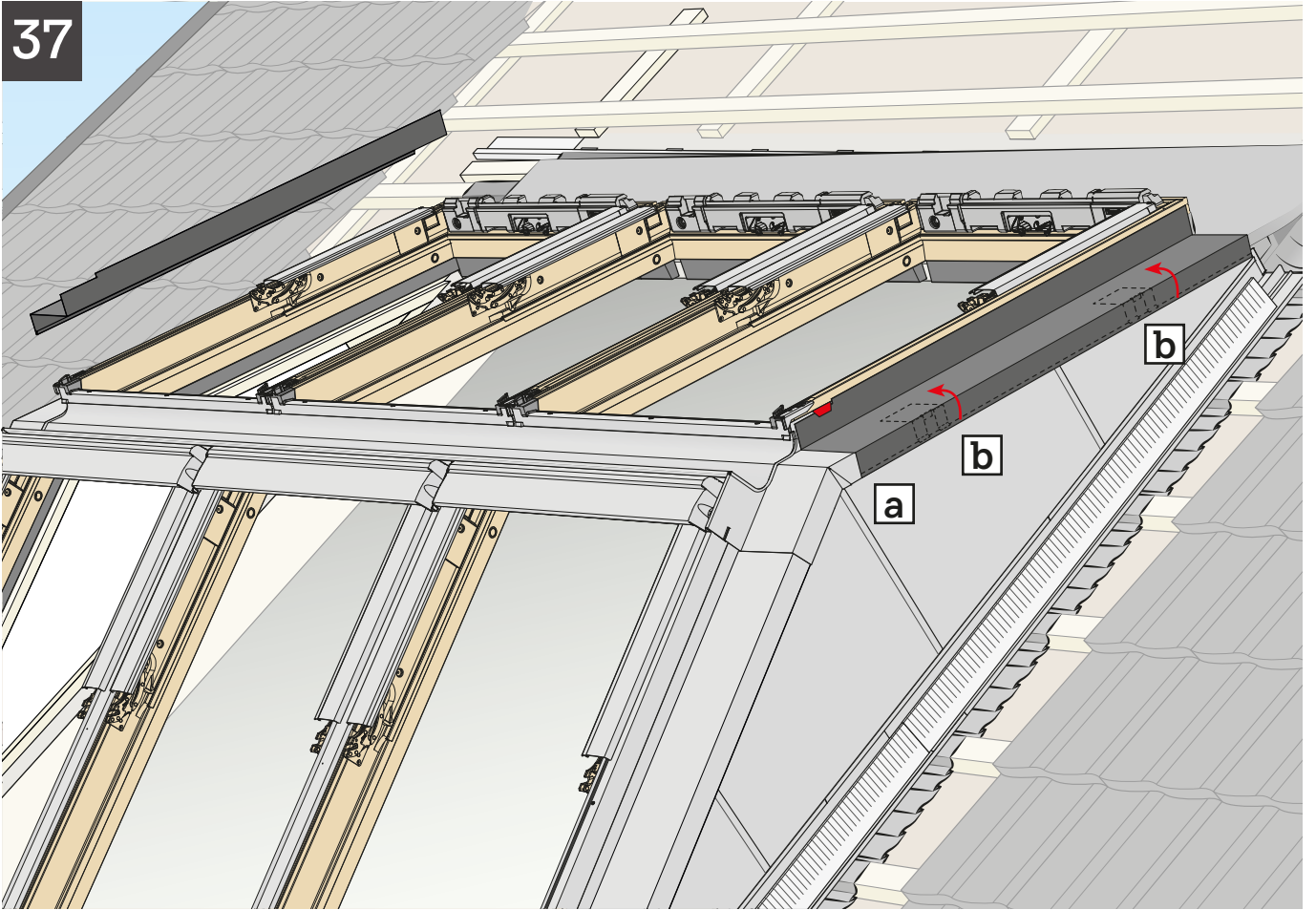




3

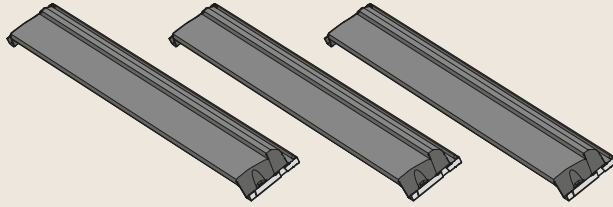
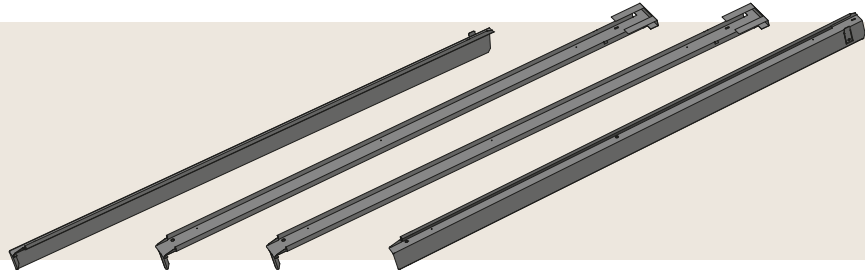


37



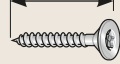


1

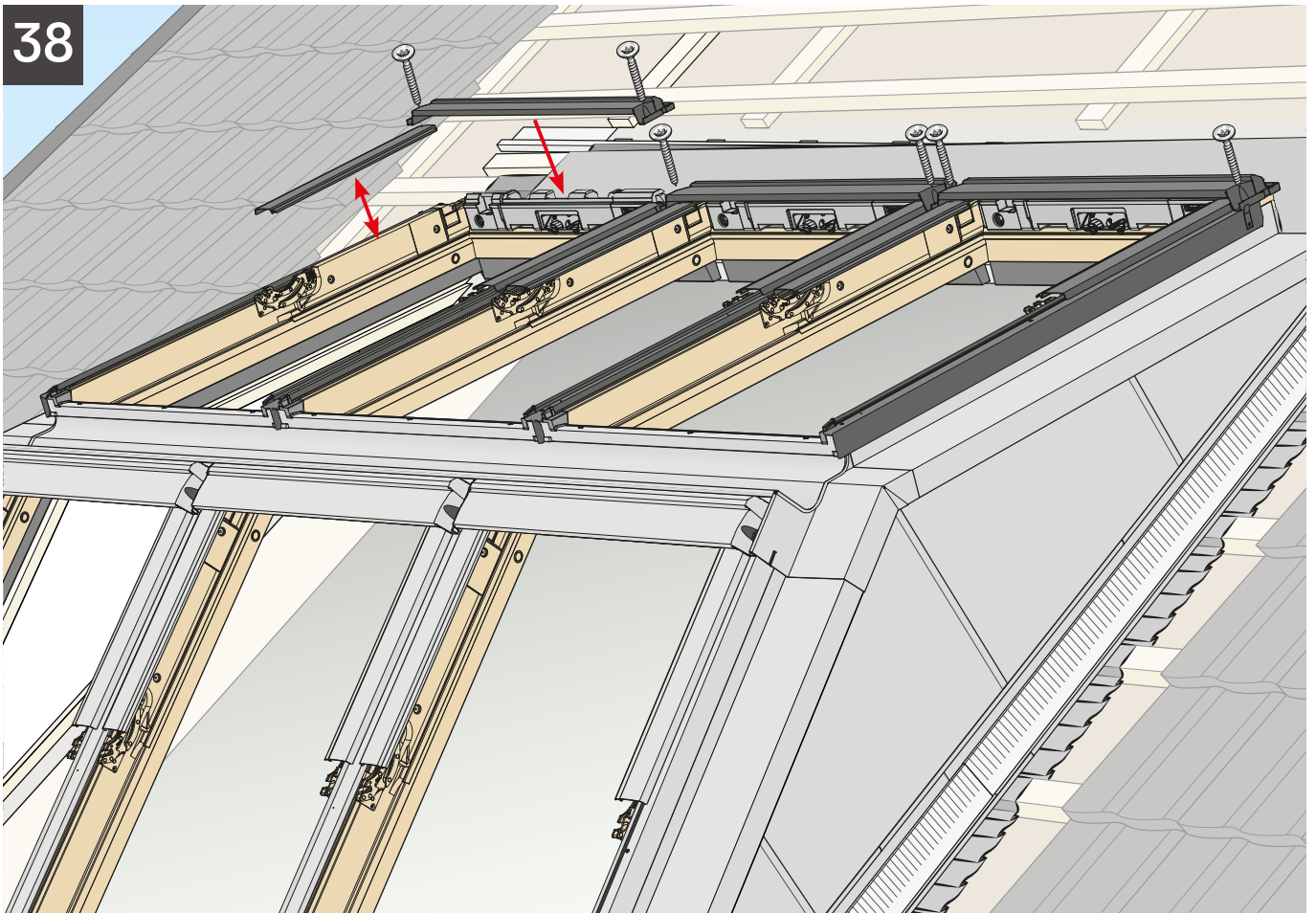


4/6 x

4,0 x 30 mm



38

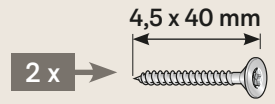
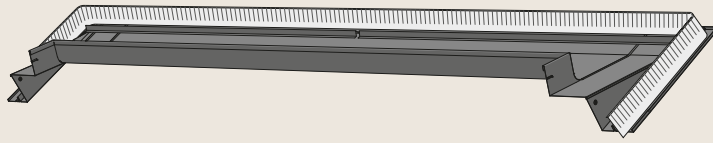


32

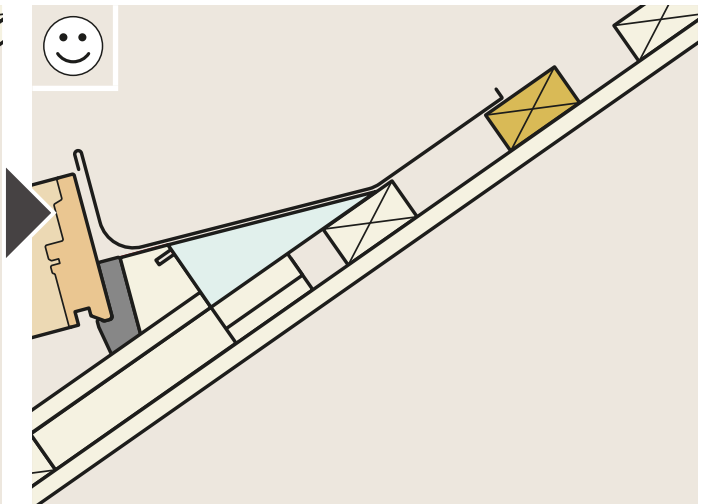
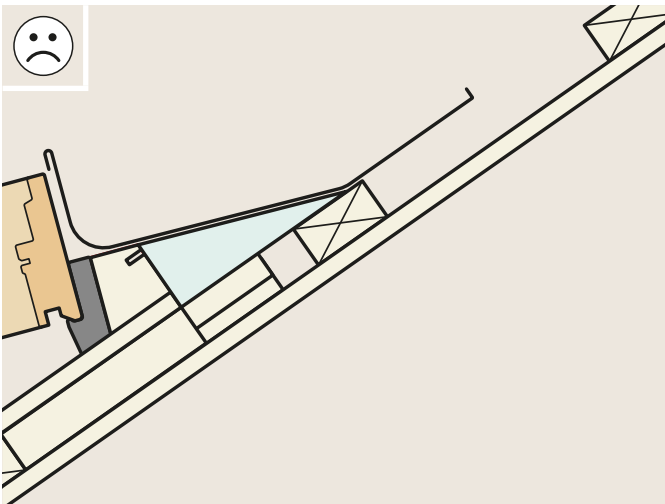
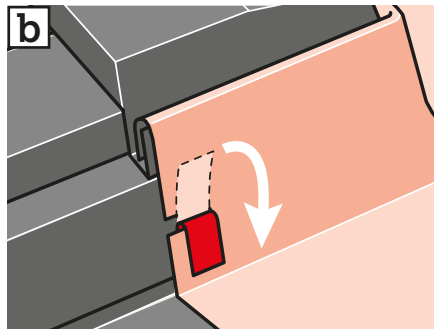
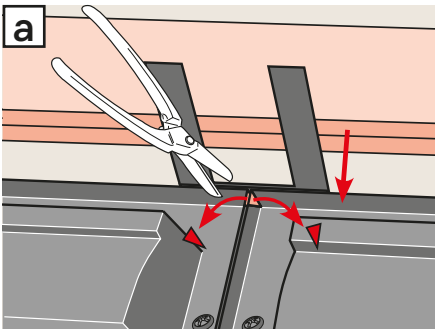
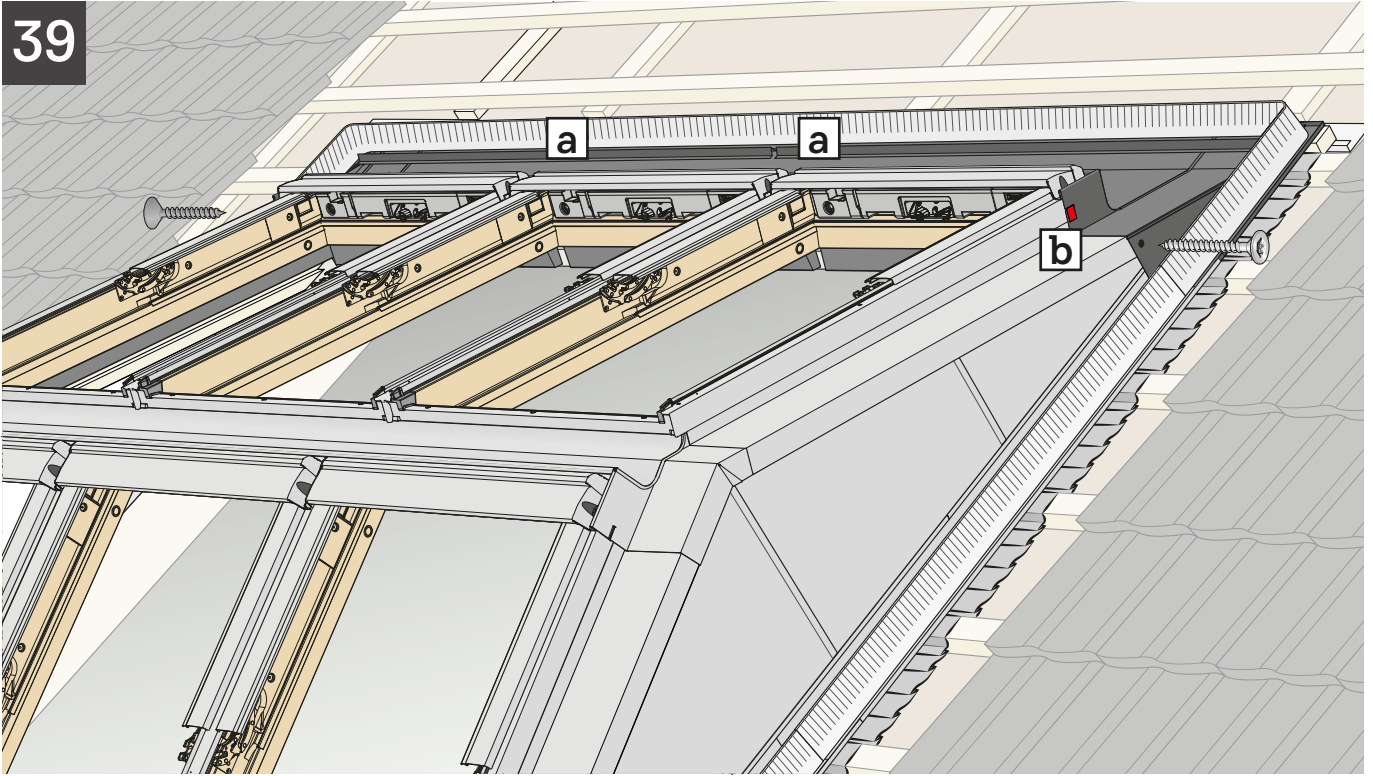
33

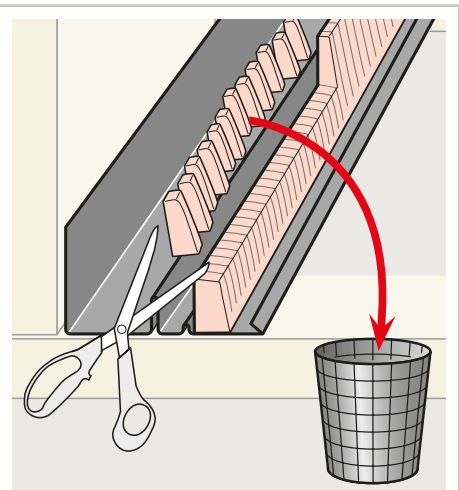
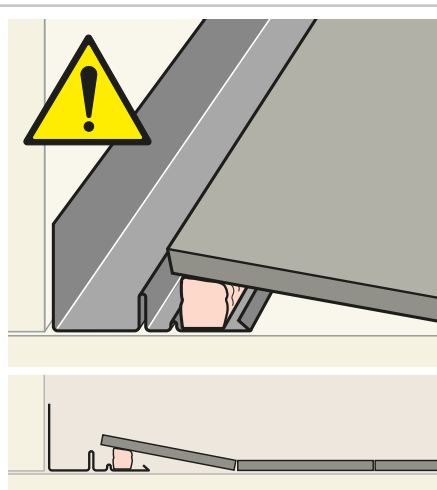
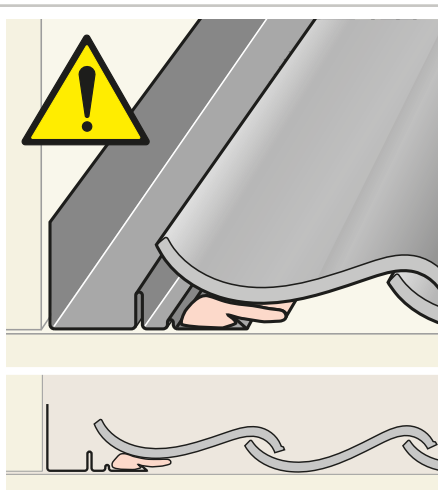
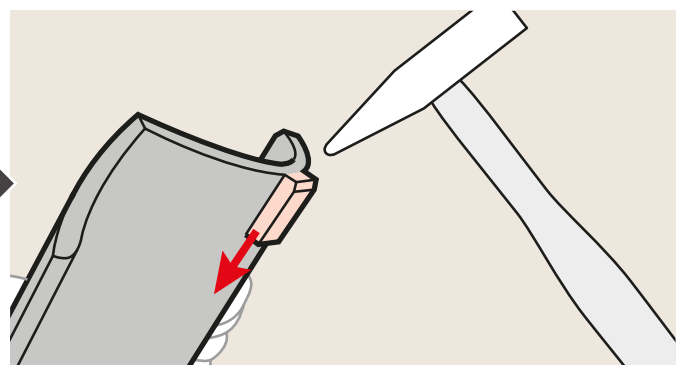
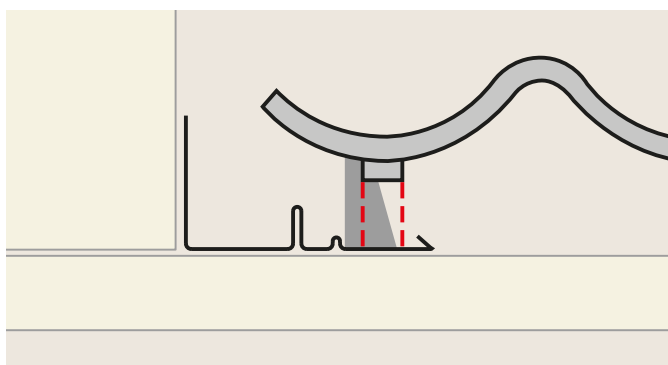
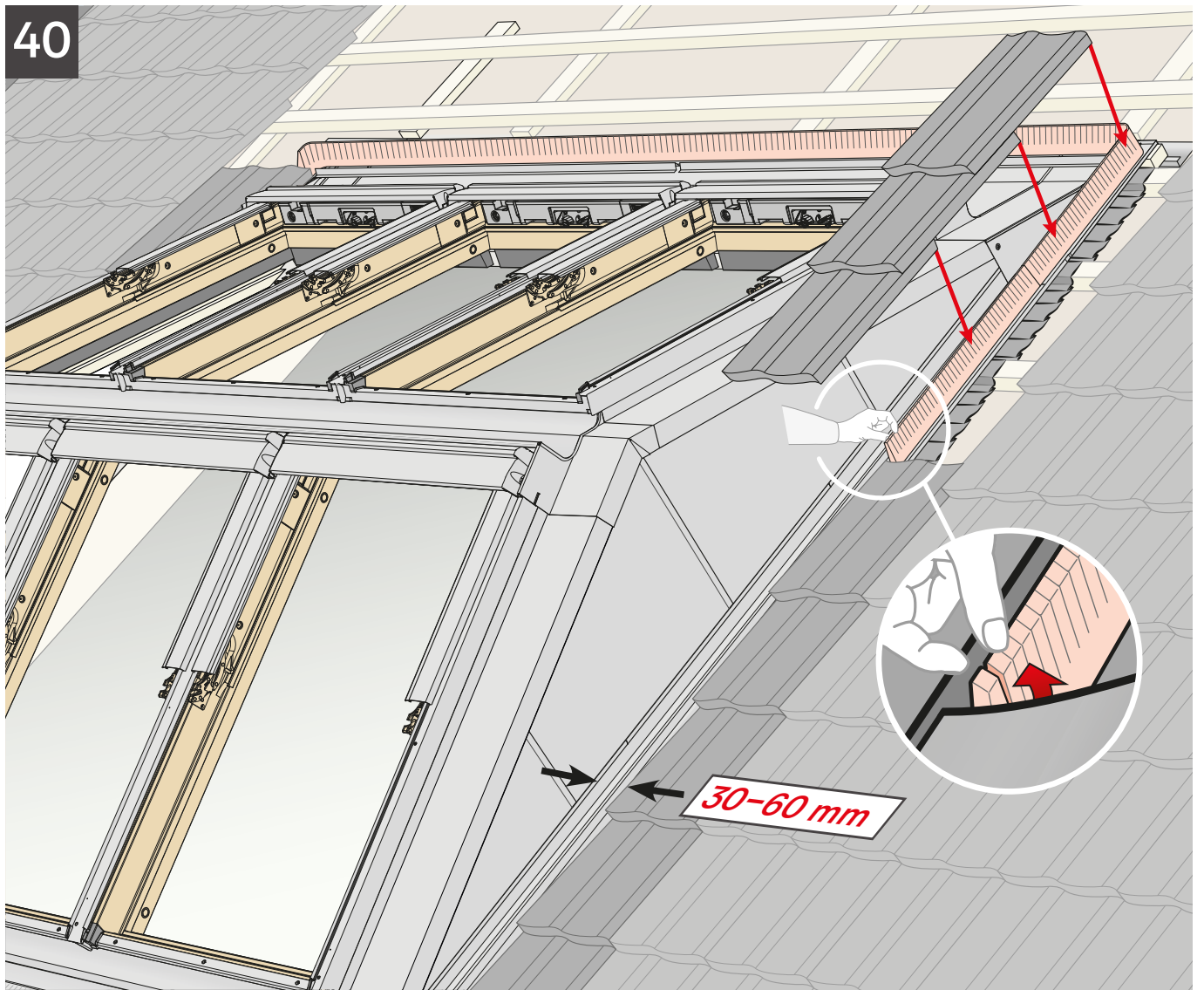
34

35

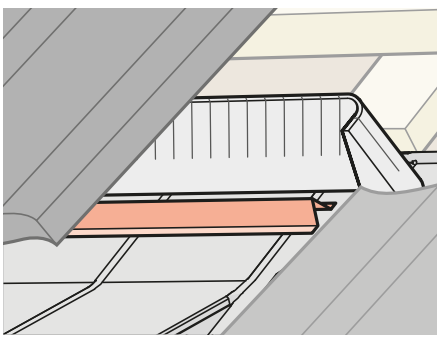
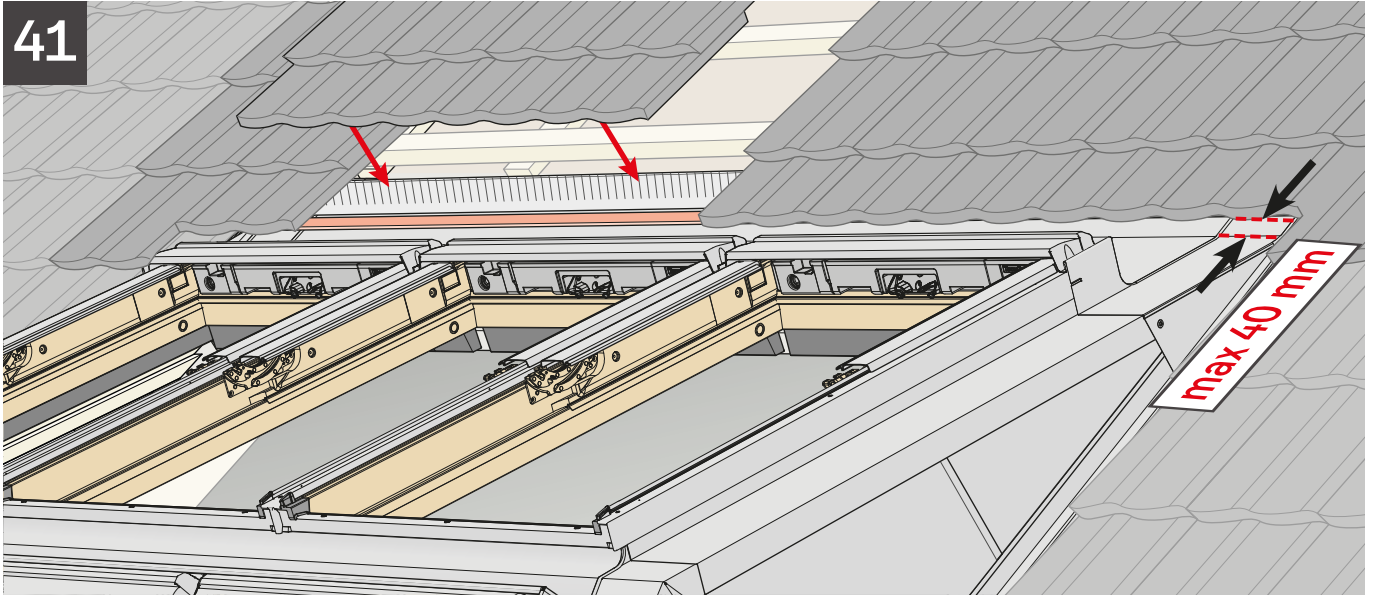


39

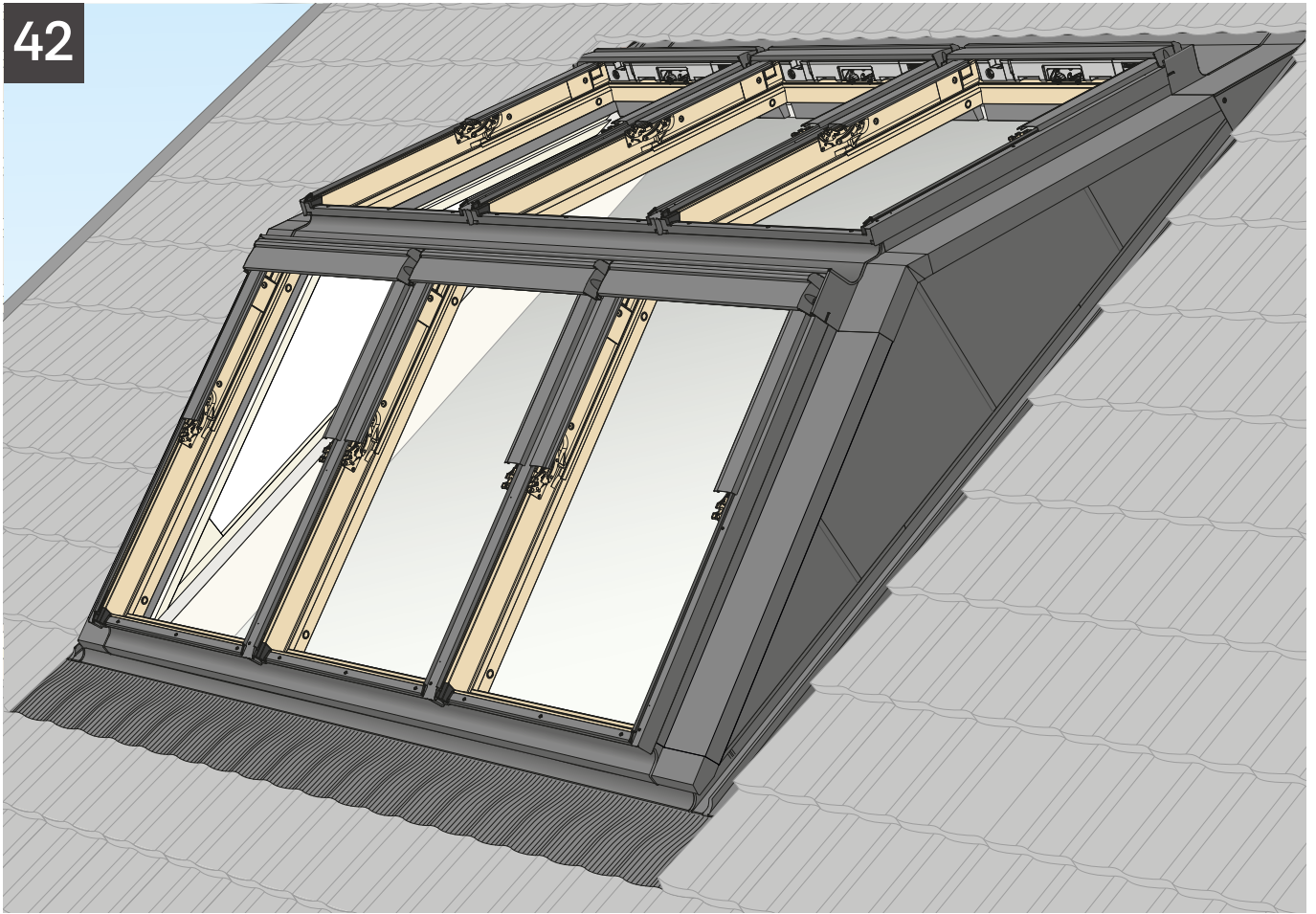




41



42

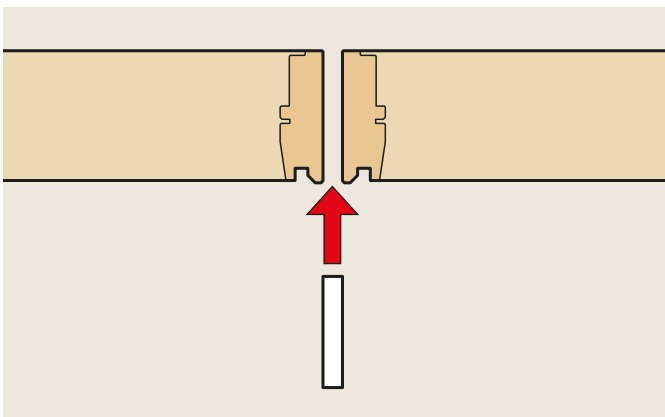
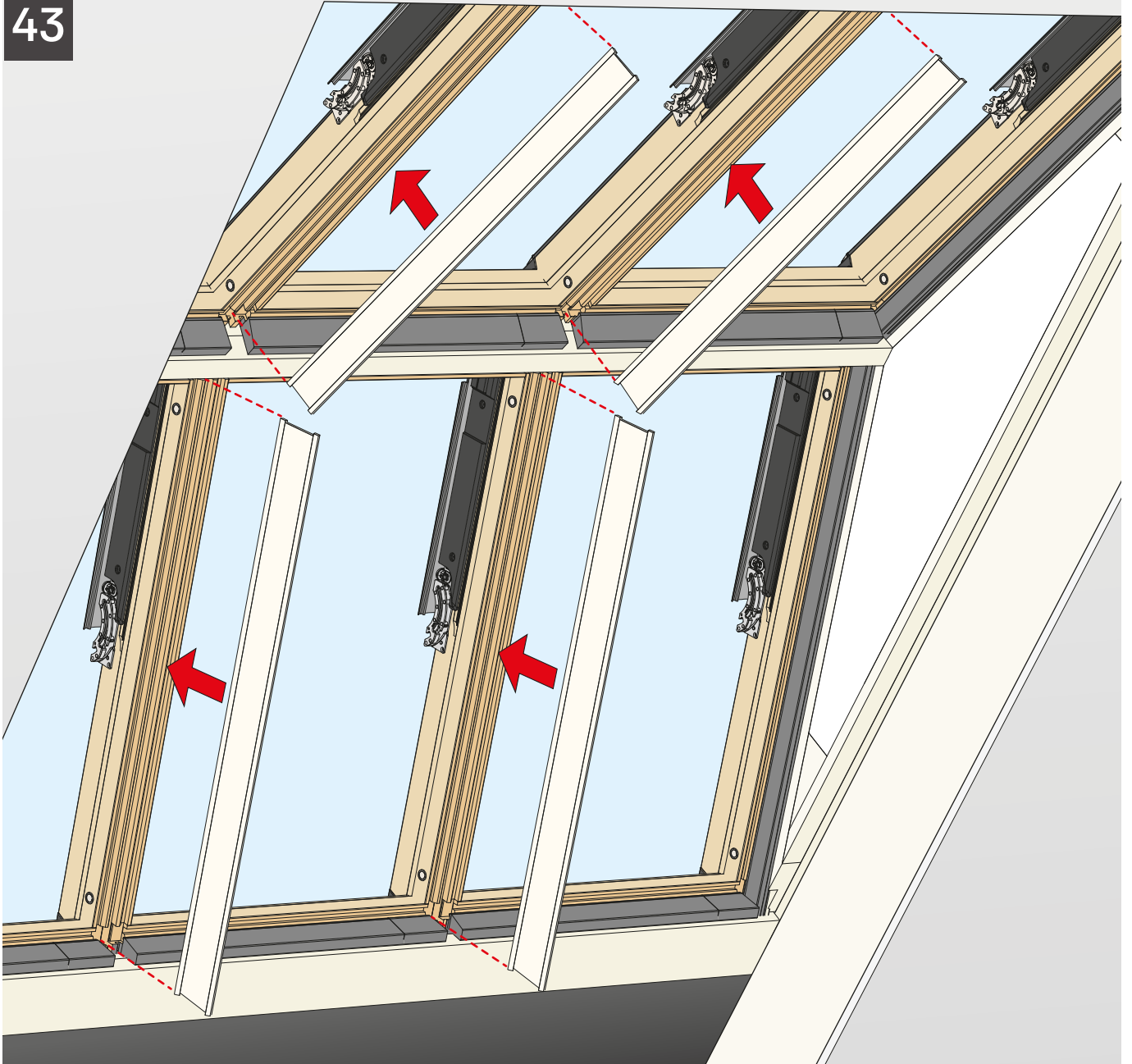




4

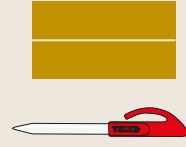
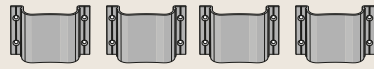


43

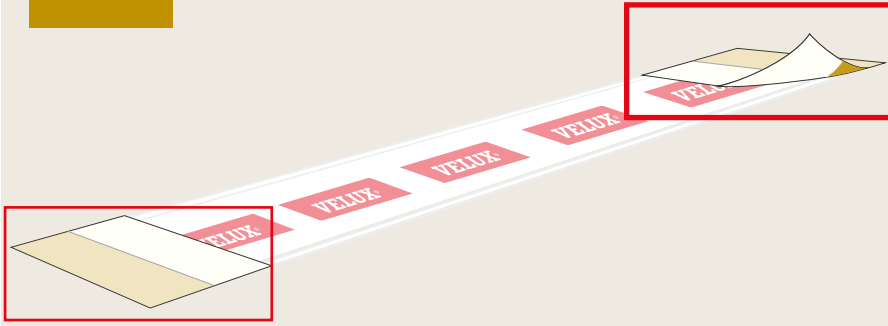




4



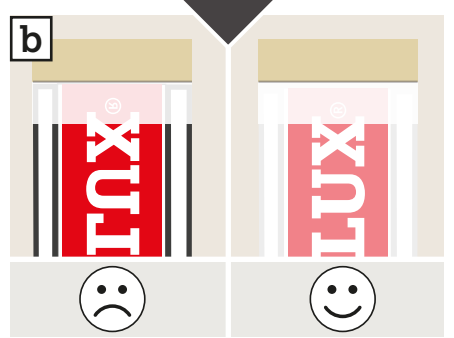
44



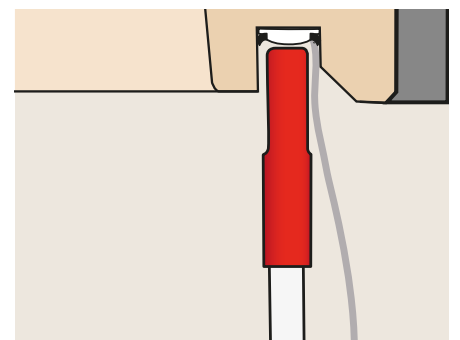
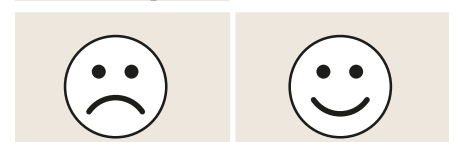
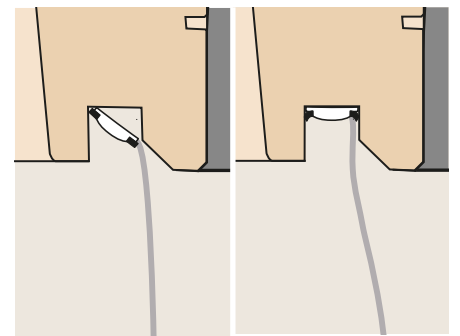
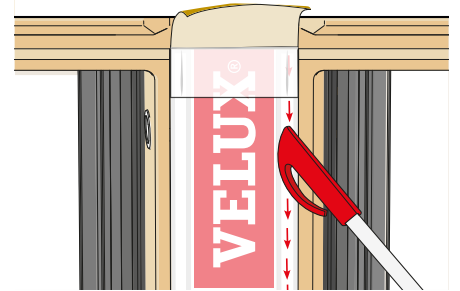
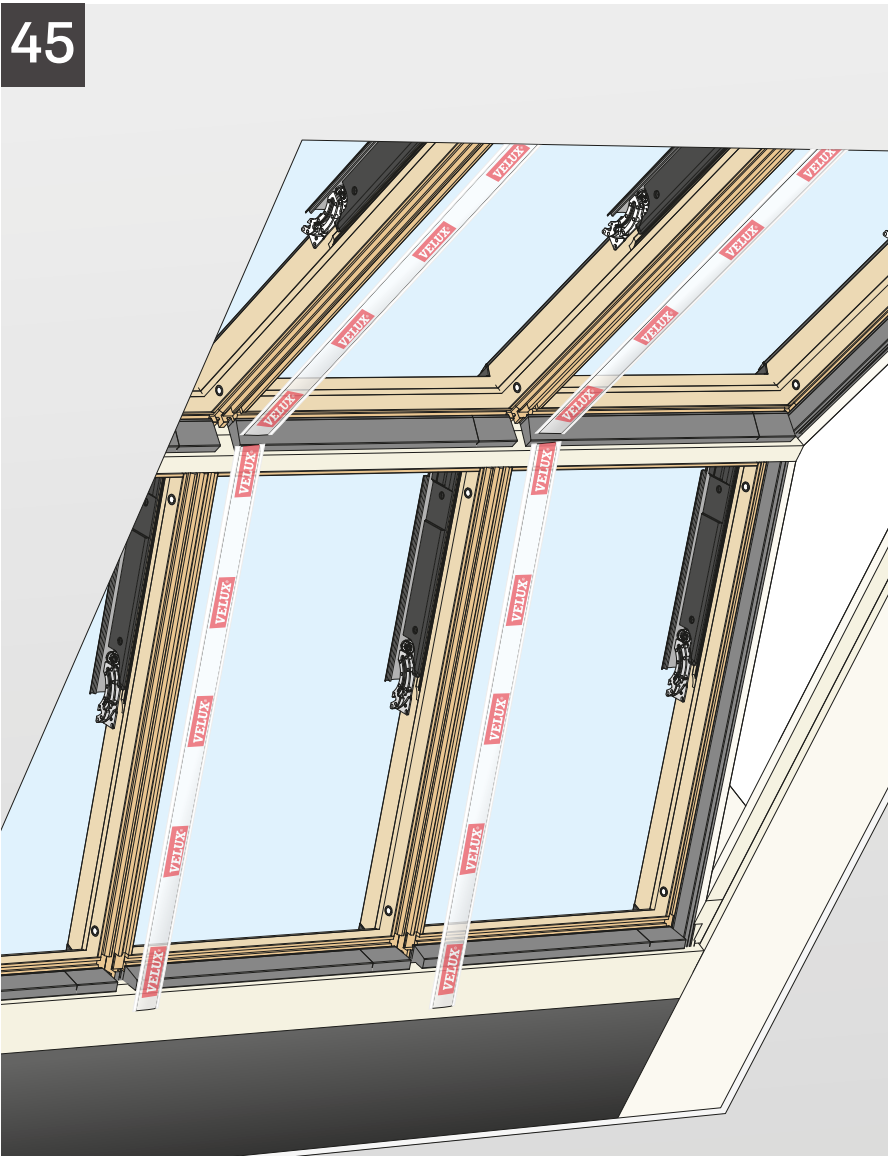
a

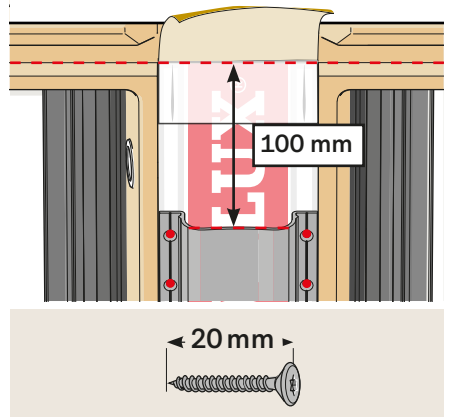
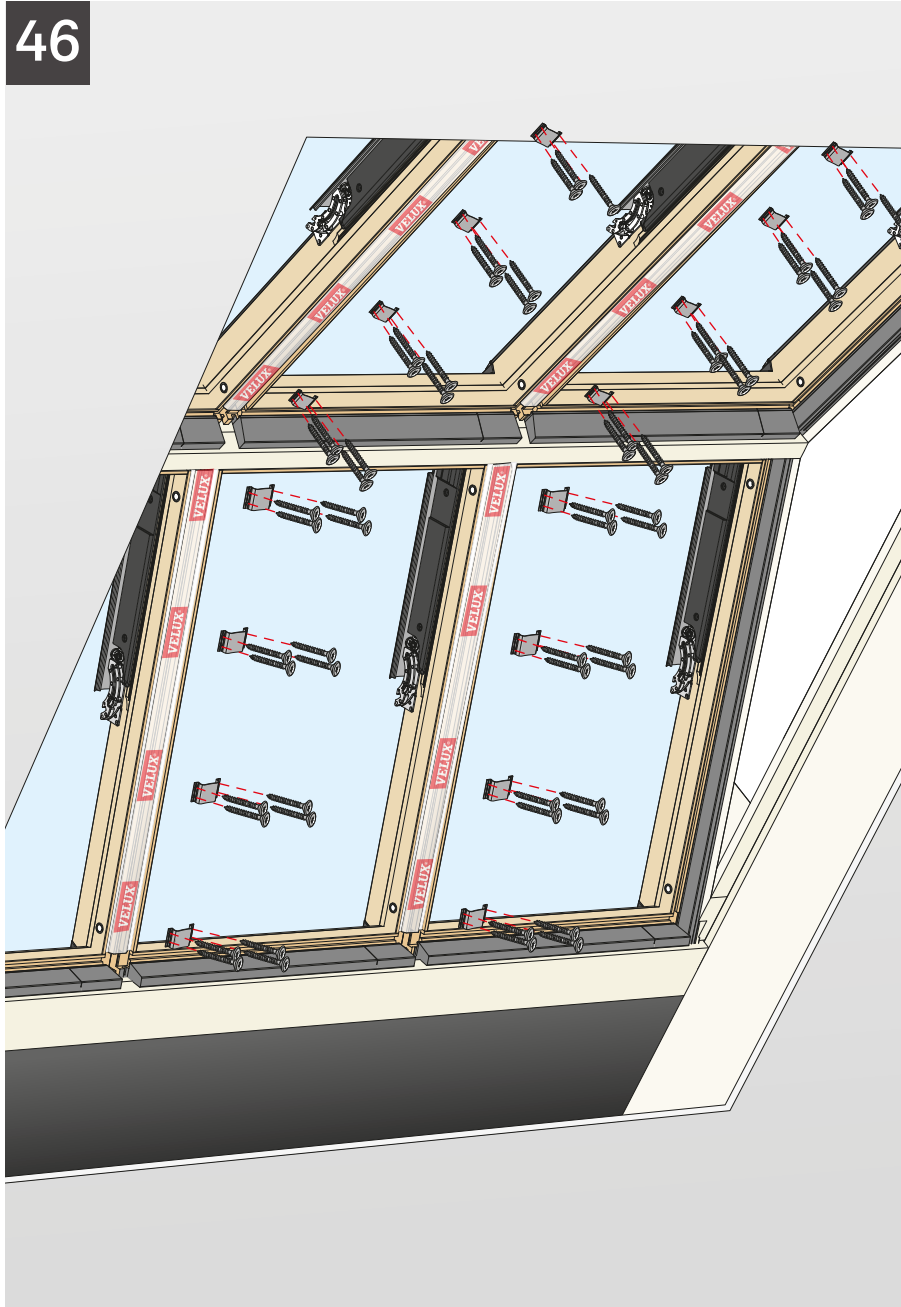


b

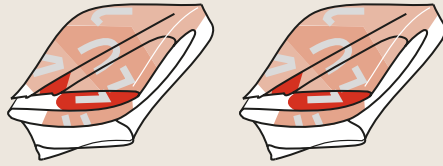


45

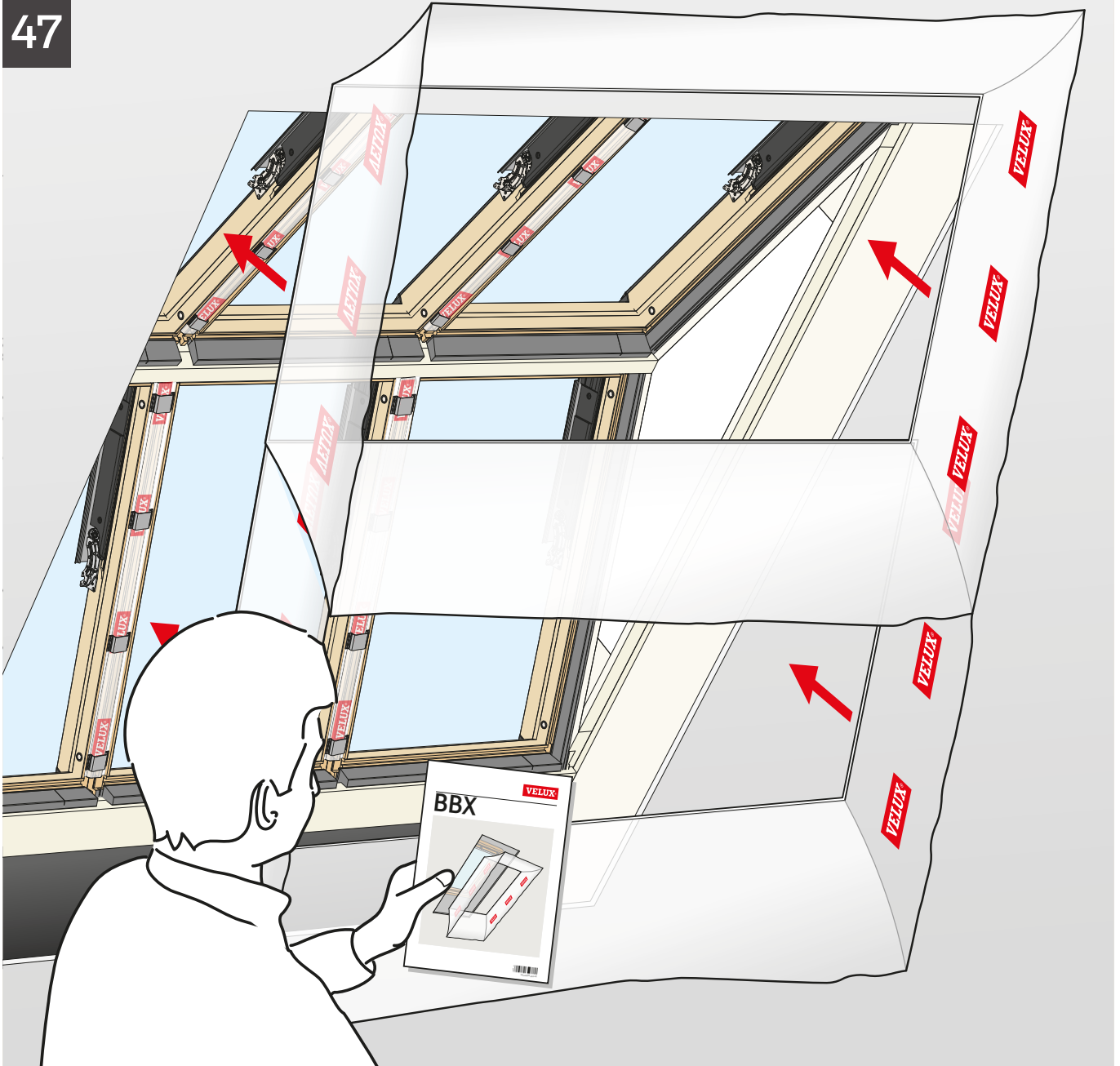




BBX



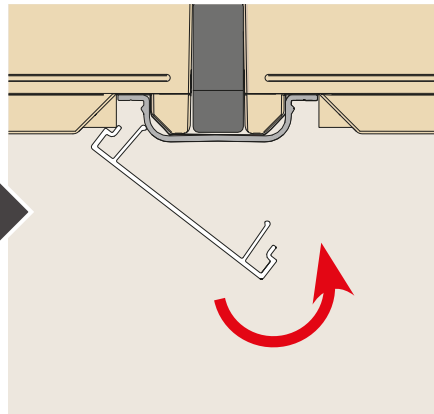
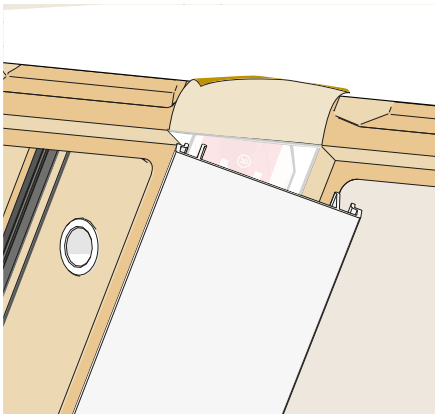
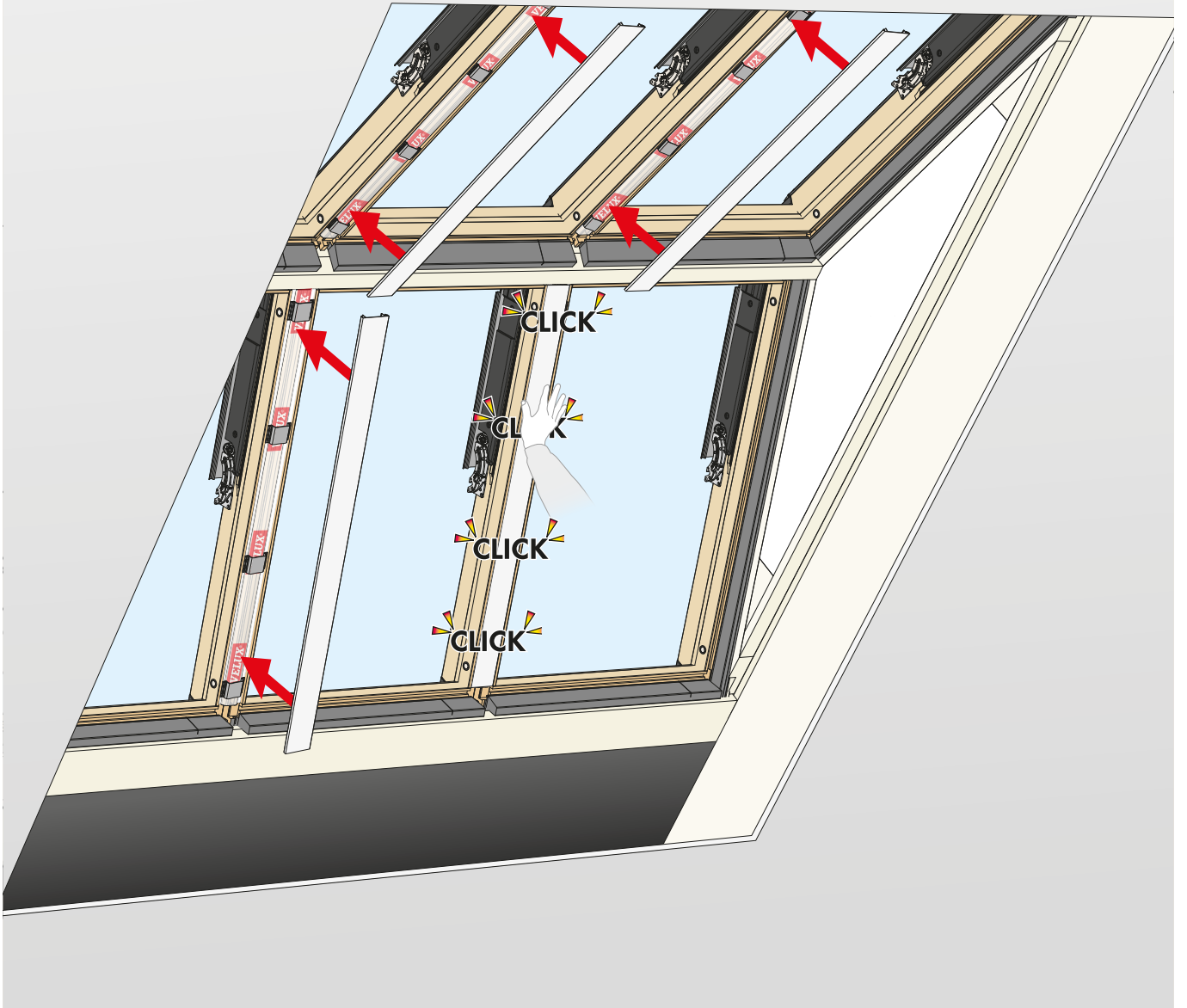
47





4

48



AR: VELUX Export (VELUX A/S) + 45 4516 7885	ES: VELUX Spain, S.A.U. 91 509 71 00	NO: VELUX Norge AS 22 51 06 00
AT: VELUX Österreich GmbH 02245/32 3 50	FI: VELUX Suomi Oy 0207 290 800	NZ: VELUX New Zealand Ltd. 0800 650 445
AU: VELUX Australia Pty. Ltd. 1300 859 856	FR: VELUX France 0806 80 15 15 Service gratuit + prix appel	PL: VELUX Polska Sp. z o.o. (022) 33 77 000 / 33 77 070
BA: VELUX Bosna i Hercegovina d.o.o. 033/626 493, 626 494	GB: VELUX Company Ltd. 01592 778 225	PT: VELUX Portugal, Lda 21 880 00 60
BE: VELUX Belgium (010) 42.09.09	HR: VELUX Hrvatska d.o.o. 01/5555 444	RO: VELUX România S.R.L. 0268-402740
BG: ВЕЛУКС България ЕООД 02/955 99 30	HU: VELUX Magyarország Kft. (06/1) 436-0601	RS: VELUX Srbija d.o.o. 011 20 57 500
CA: VELUX Canada Inc. 1 800 88-VELUX (888-3589)	IE: VELUX Company Ltd. 01 848 8775	SE: VELUX Svenska AB 042/20 83 80
CH: VELUX Schweiz AG 062 289 44 45	IT: VELUX Italia s.p.a. 045/6173666	SI: VELUX Slovenija d.o.o. 01 724 68 68
CL: VELUX Export (VELUX A/S) + 45 4516 7885	JP: VELUX-Japan Ltd. 0570-00-8141	SK: VELUX Slovensko, s.r.o. (02) 33 000 555
CN: VELUX (CHINA) CO. LTD. 0316-607 27 27	KR: VELUX Export (VELUX A/S) + 45 4516 7885	TR: VELUX Çatı Pencereleeri Ticaret Limited Şirketi 0 216 302 54 10
CZ: VELUX Česká republika, s.r.o. 531 015 511	LT: VELUX Lietuva, UAB (85) 270 91 01	UA: ТОВ "ВЕЛЮКС Україна" (044) 2916070
DE: VELUX Deutschland GmbH www.velux.de/kontakt	LV: VELUX Latvia SIA 67 27 77 33	US: VELUX America LLC 1-800-88-VELUX
DK: VELUX Danmark A/S 45 16 45 16	NL: VELUX Nederland B.V. 030 - 6 629 629	
EE: VELUX Eesti OÜ 621 7790		