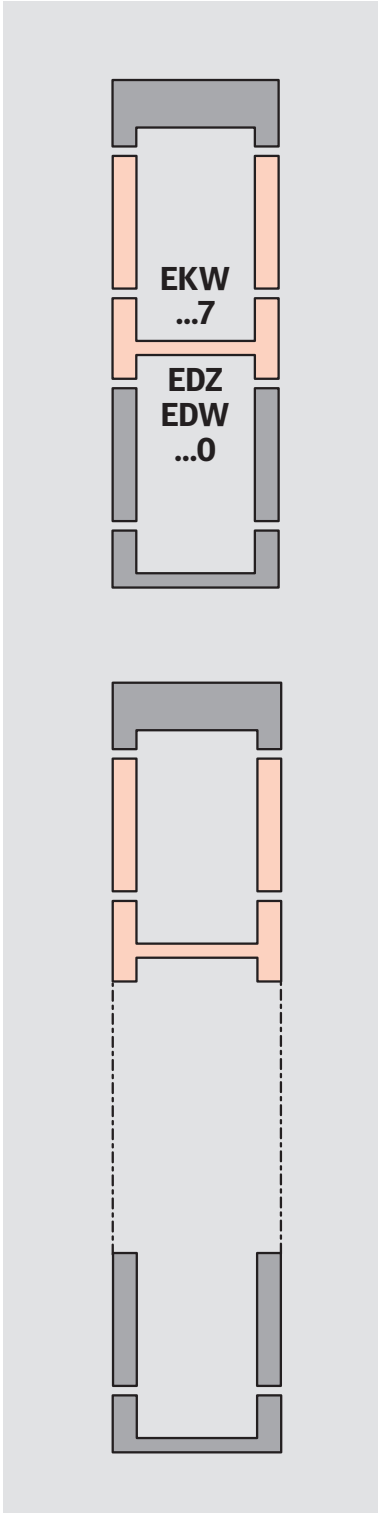
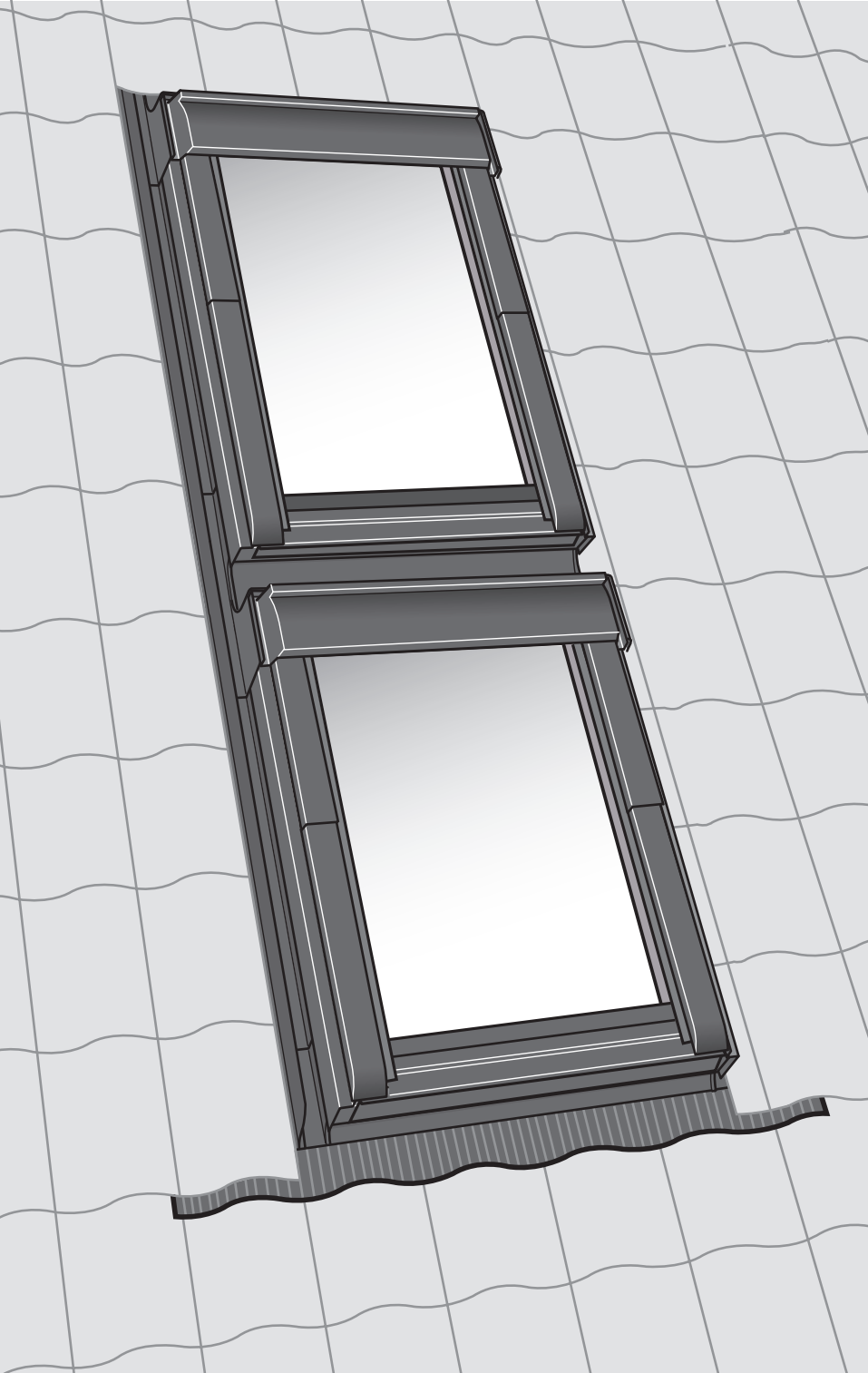


# EDZ/EDW+EKW



INSTALLATION INSTRUCTIONS FOR EDZ/EDW-EKW. ©2012, 2017 VELUX GROUP. ®VELUX AND THE VELUX LOGO ARE REGISTERED TRADEMARKS USED UNDER LICENSE BY THE VELUX GROUP.



