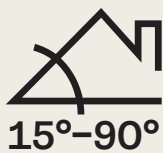


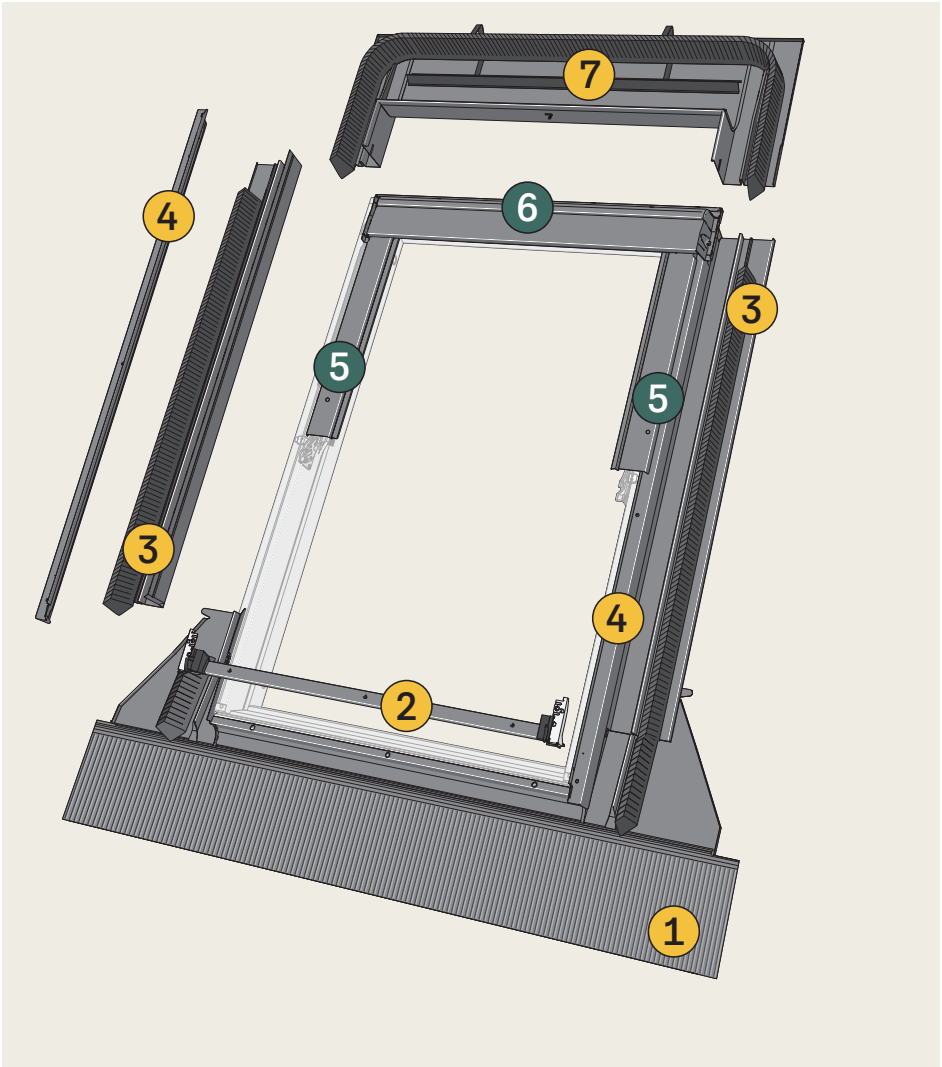
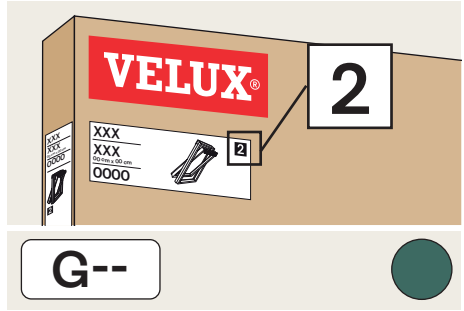
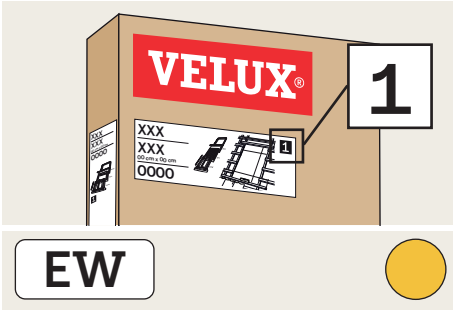
EW

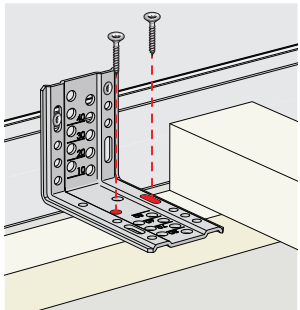
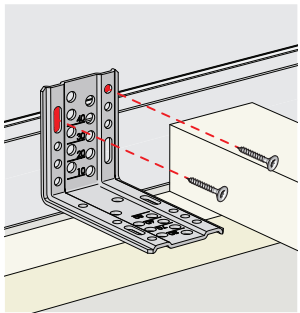
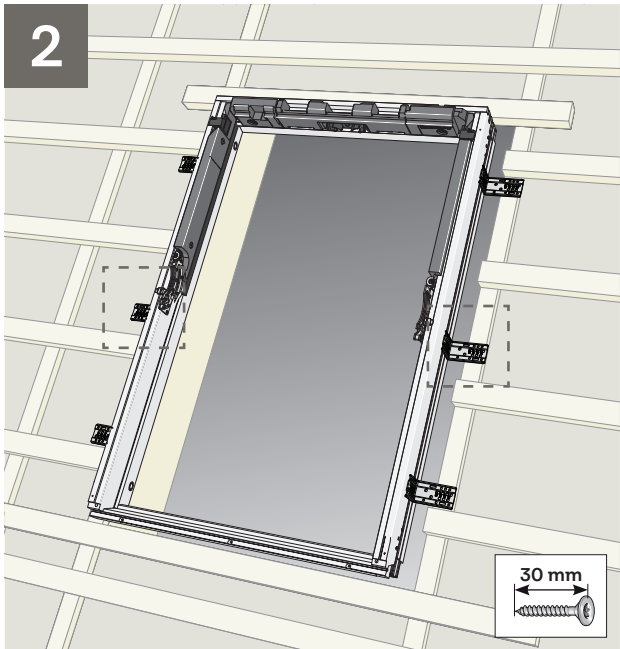
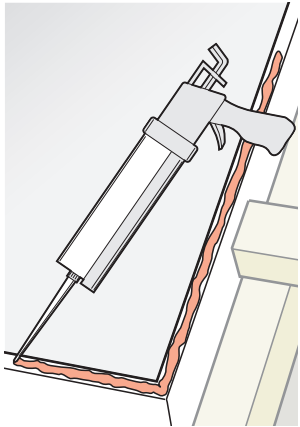
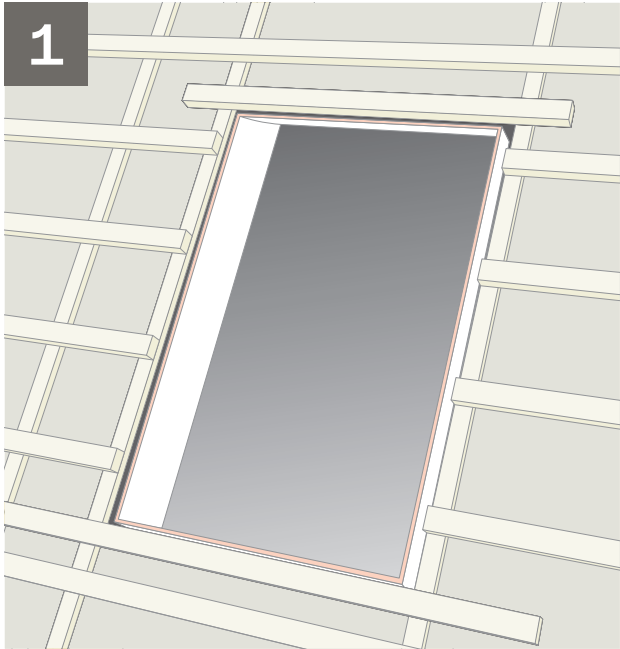


VELUX®

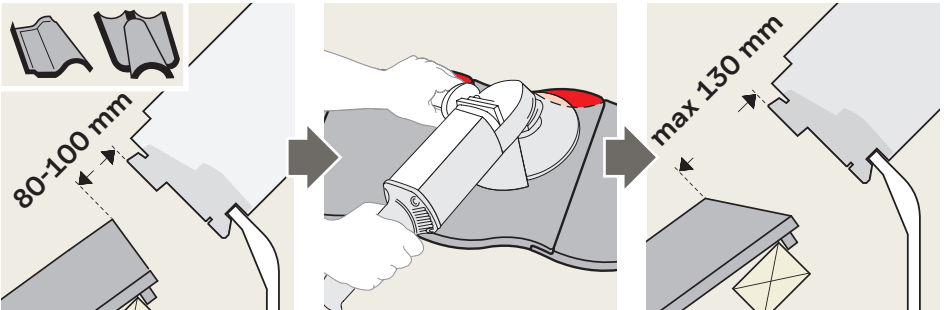
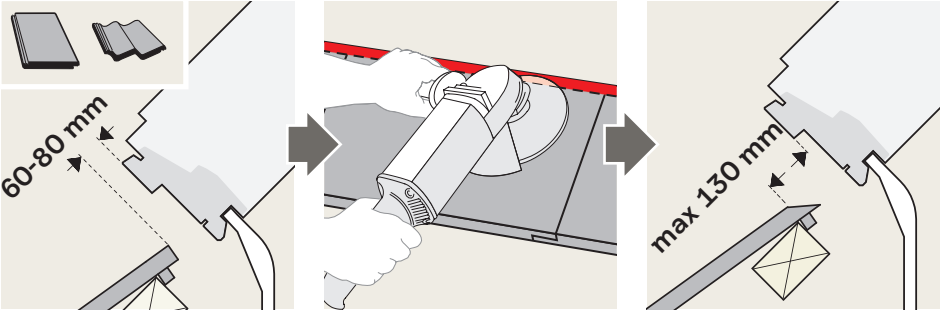
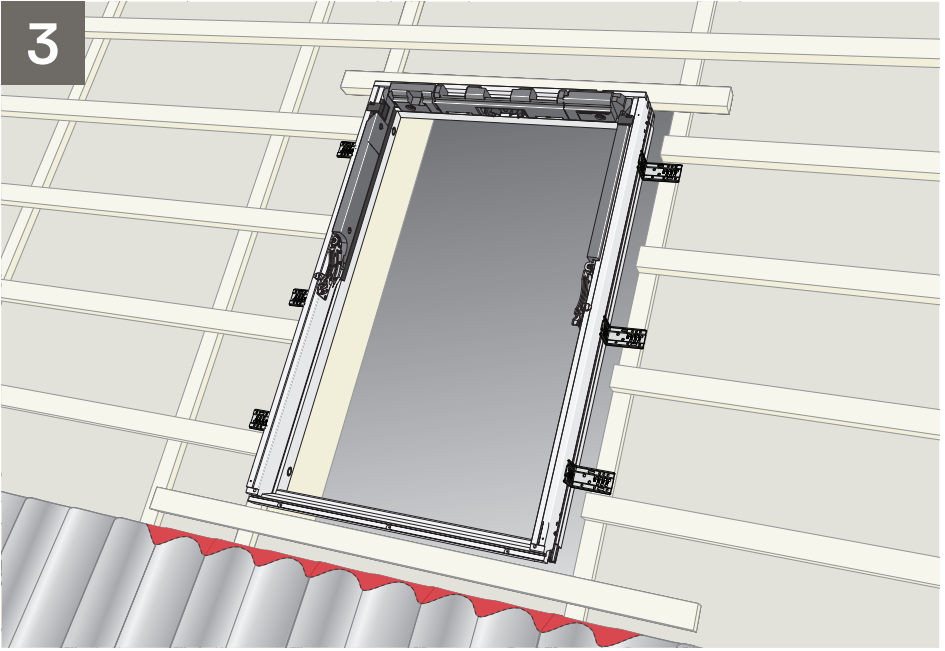


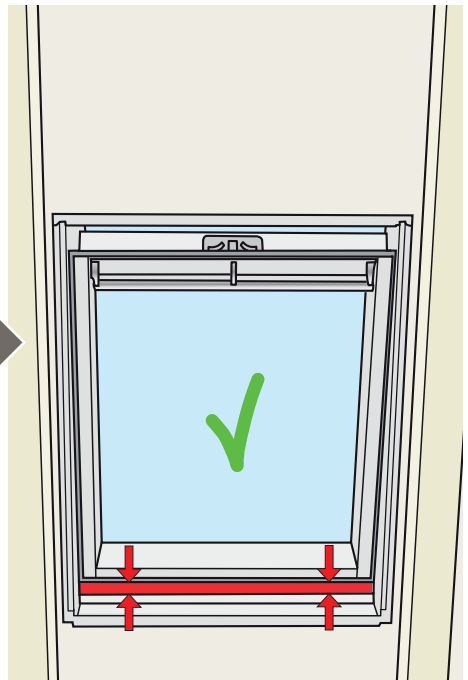
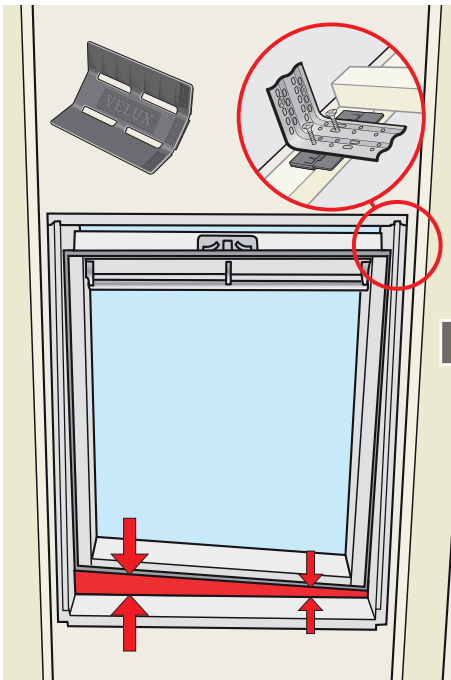
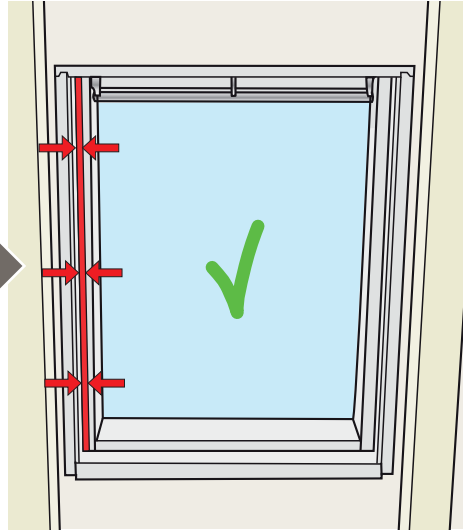
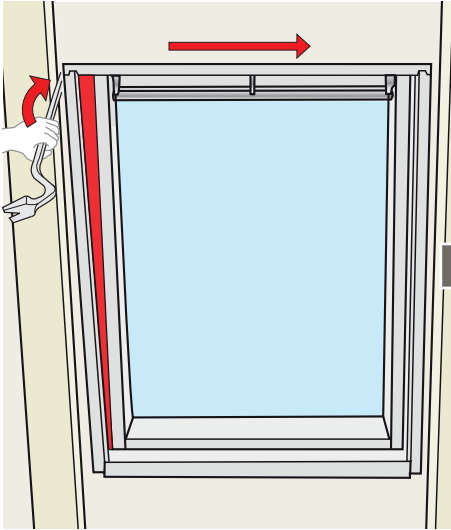
VAS 454098-2025-12



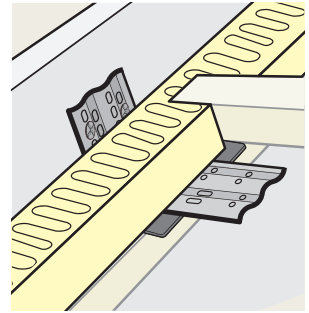
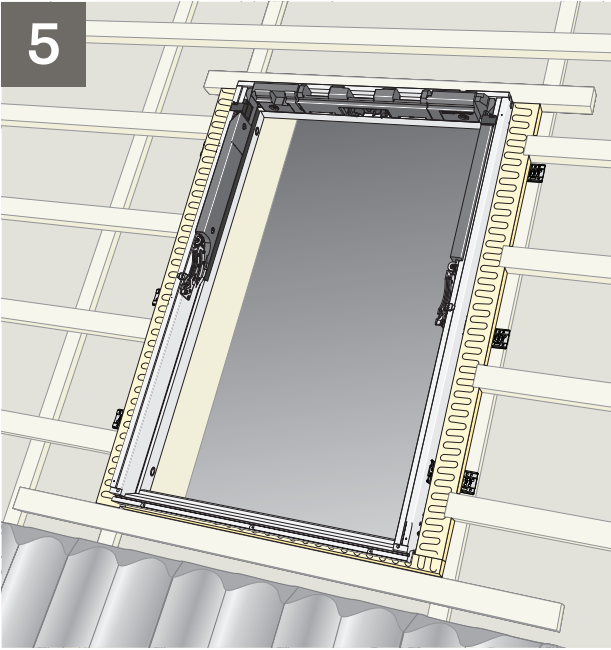


3

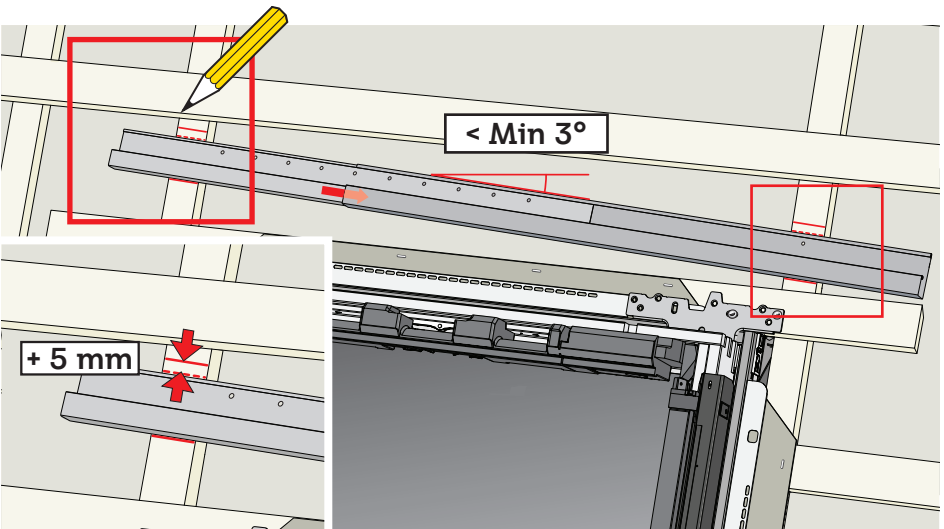




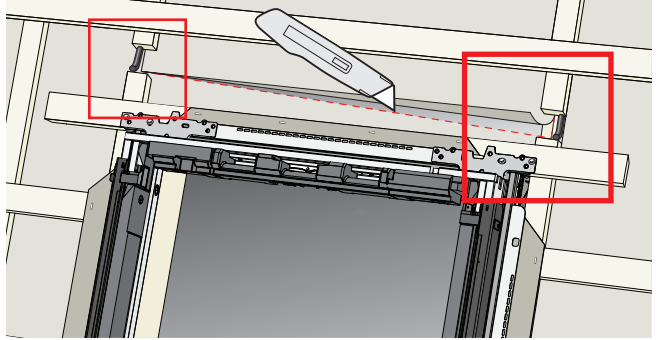
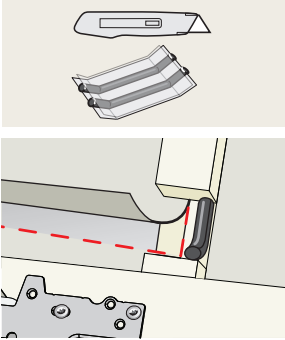
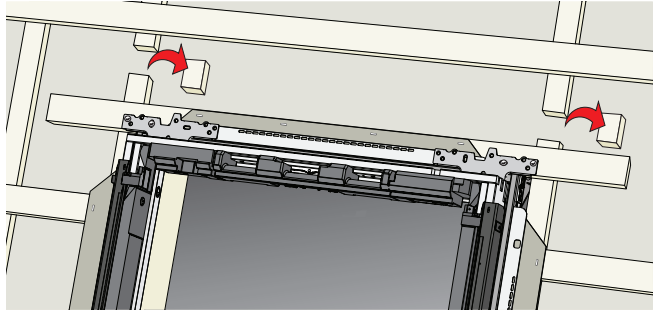
5



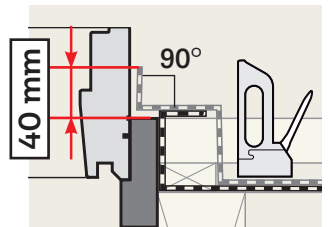
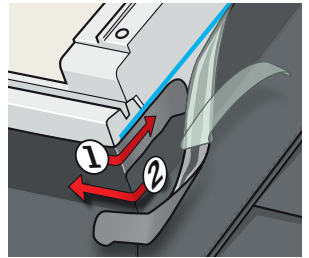
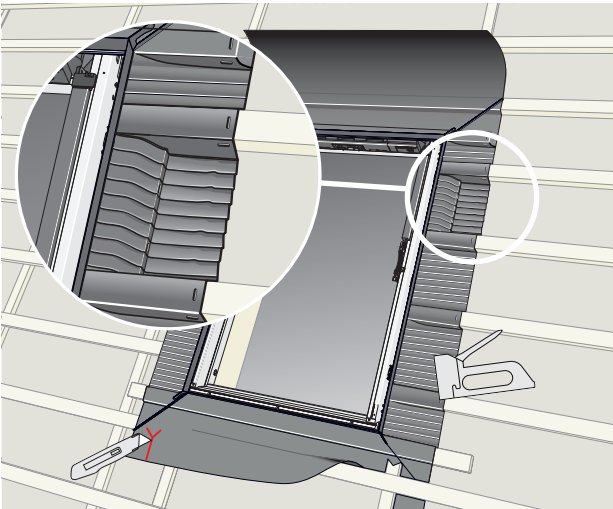
6

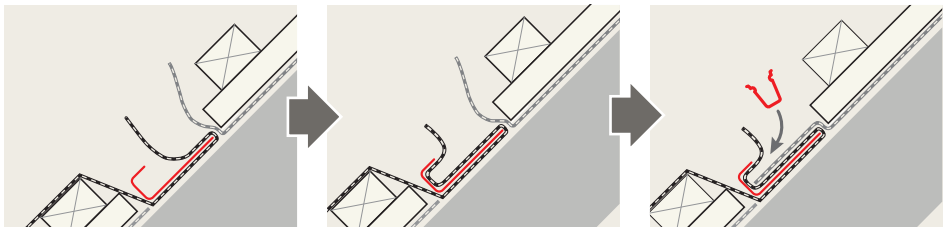
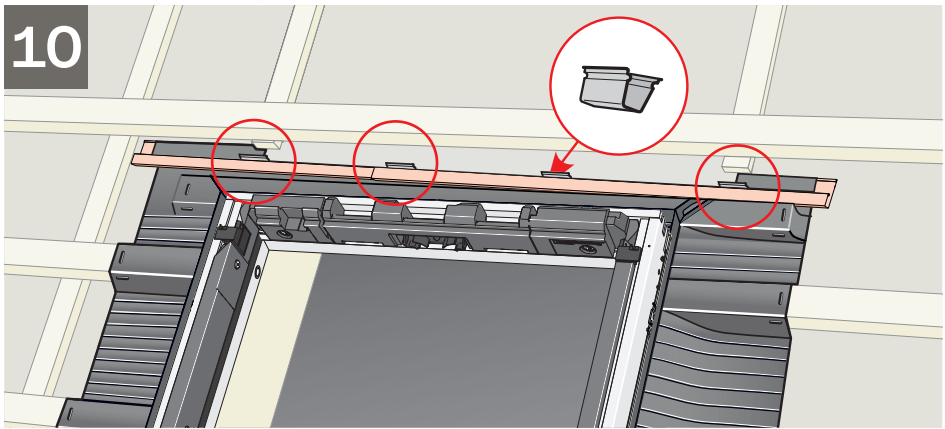
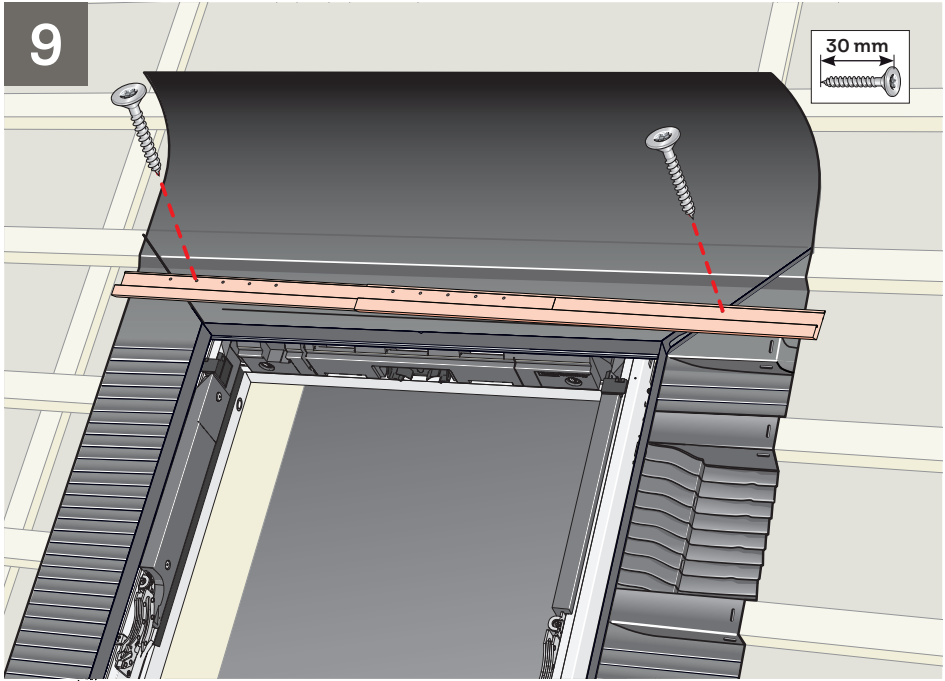


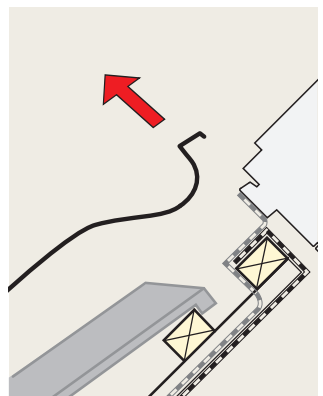
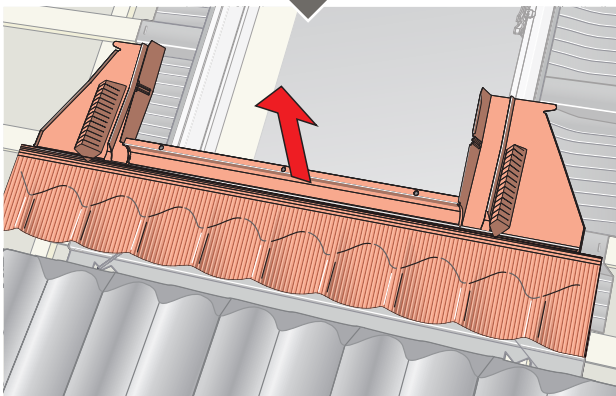
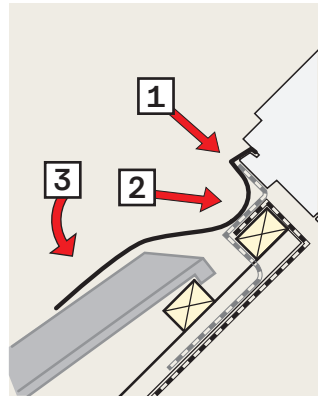
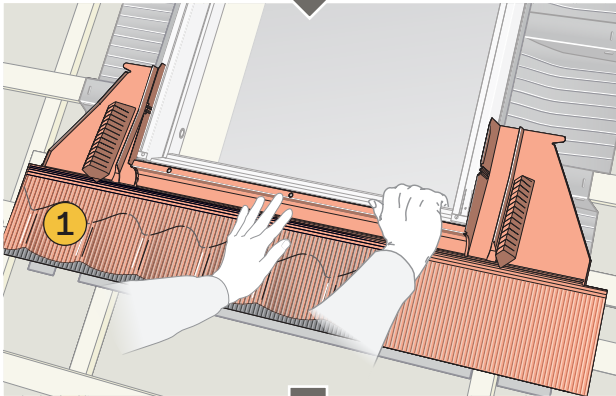
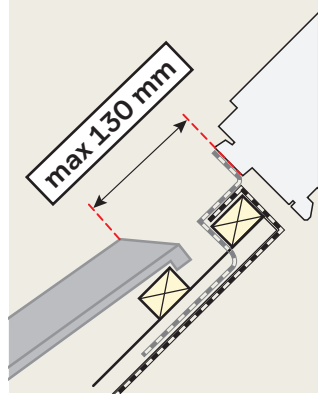
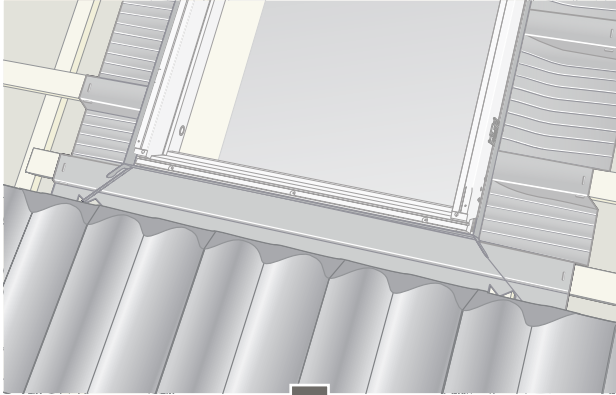
7

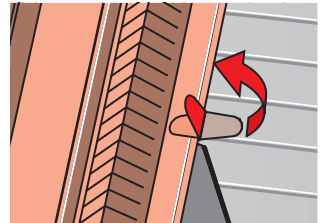
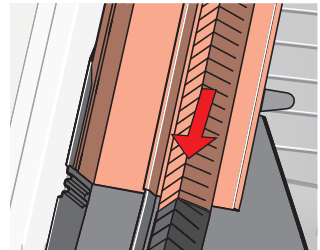
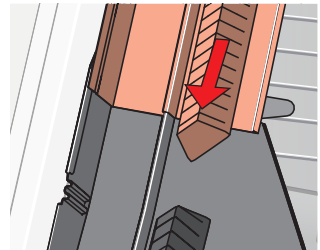
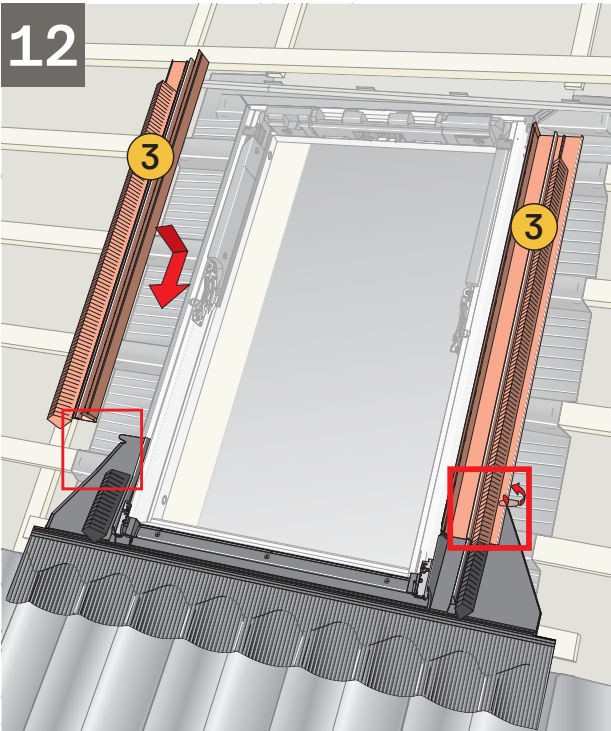
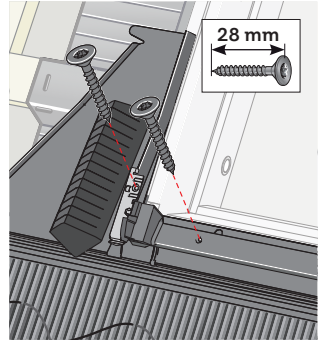
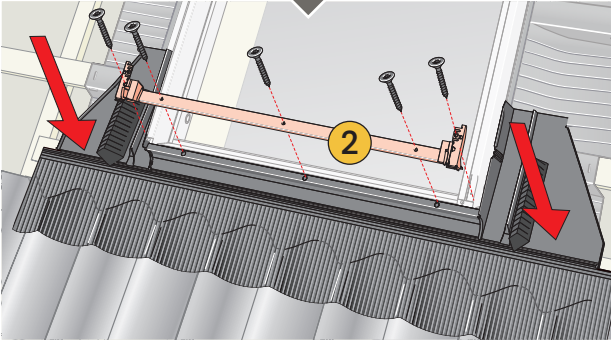
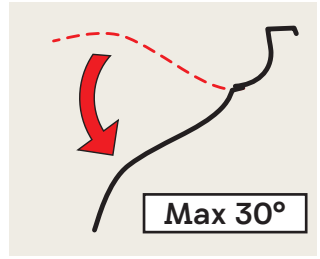
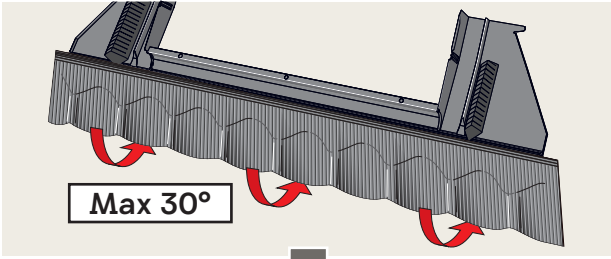


8

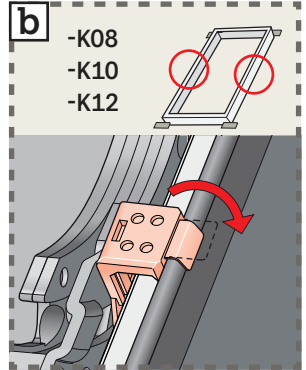
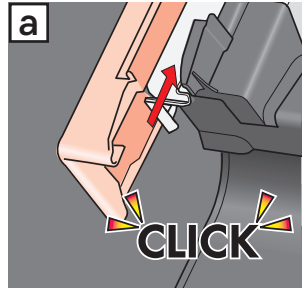
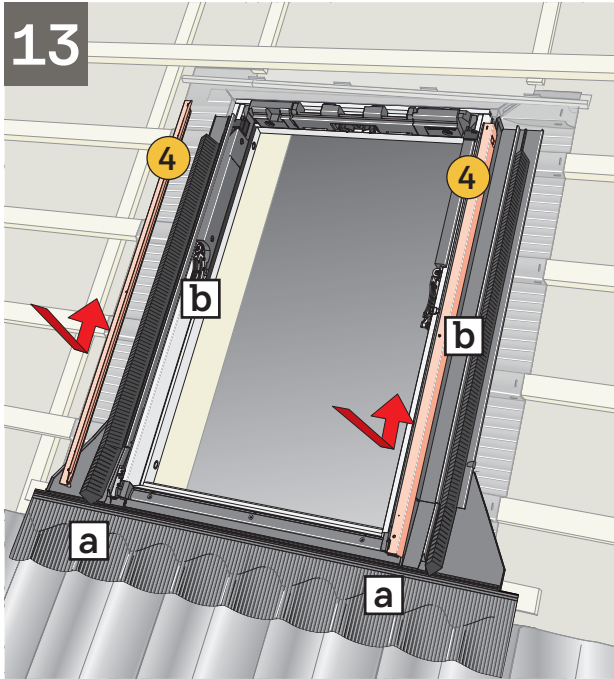




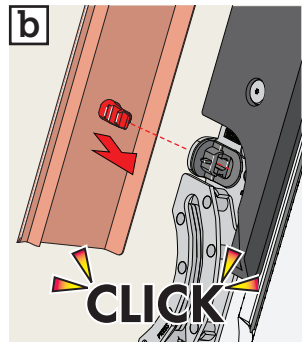
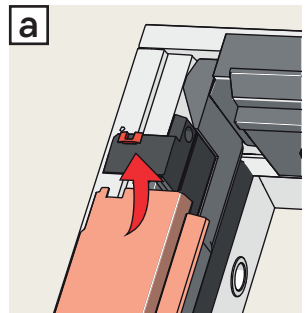
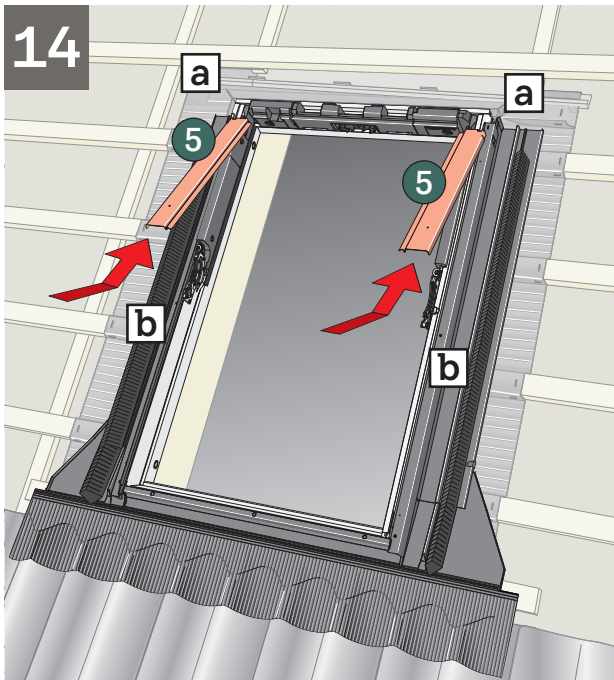




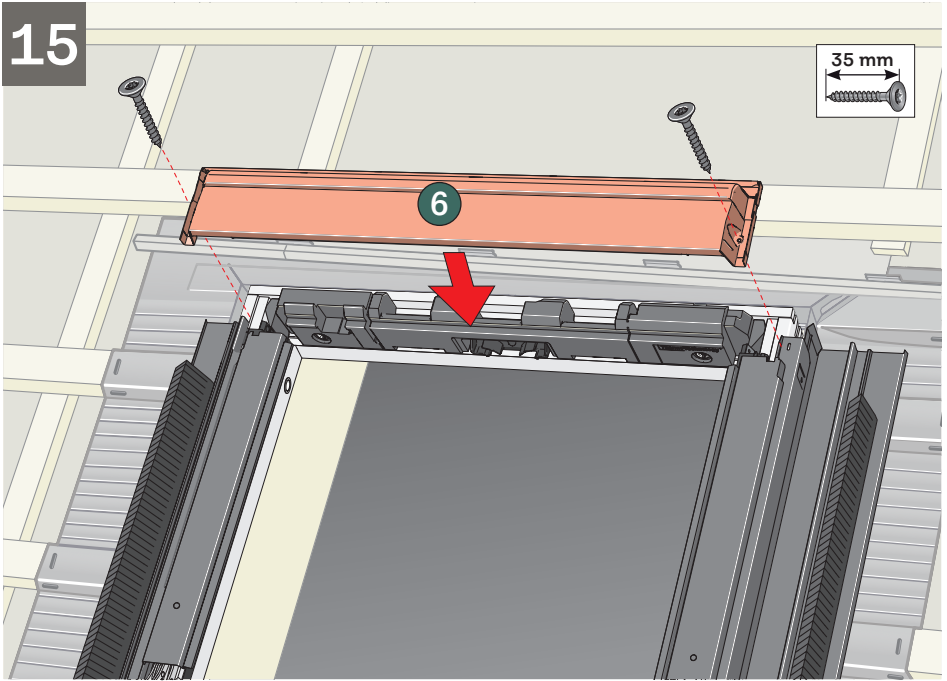
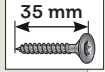
13



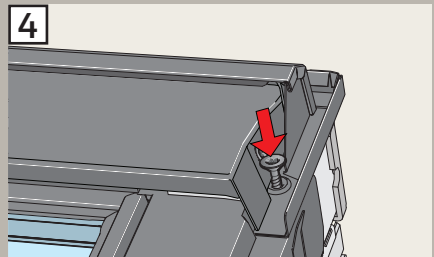
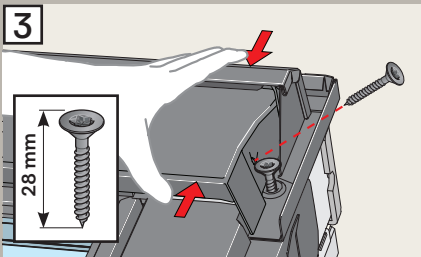
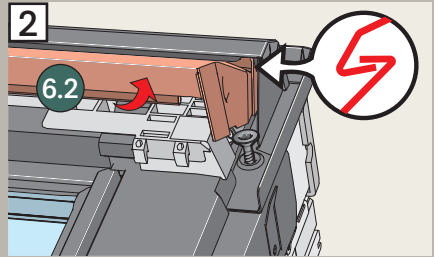
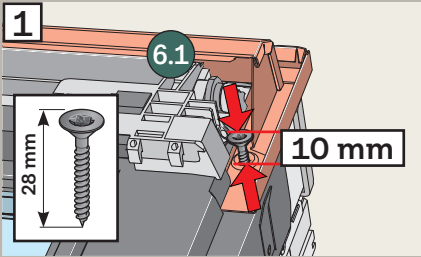
14



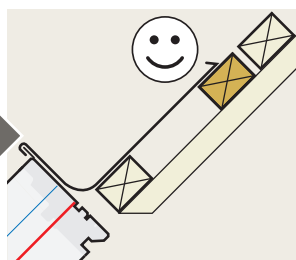
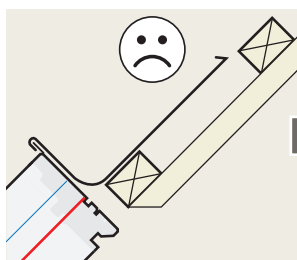
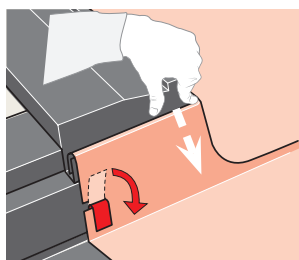
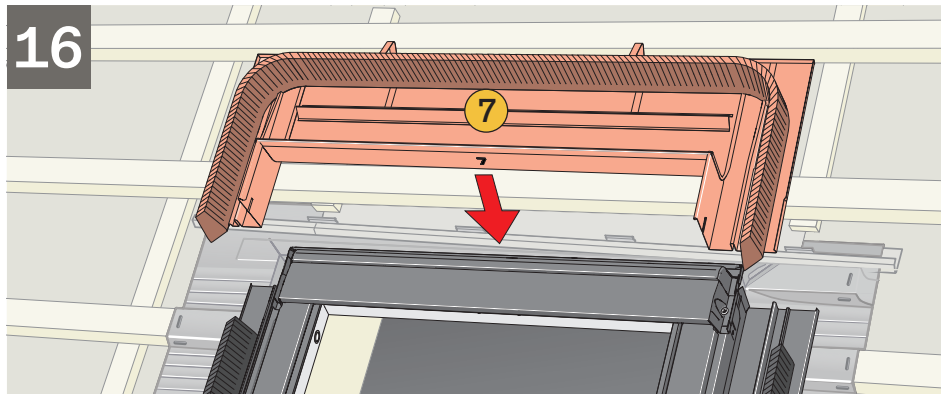
15



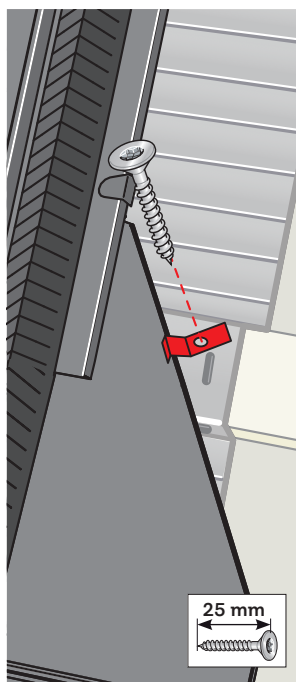
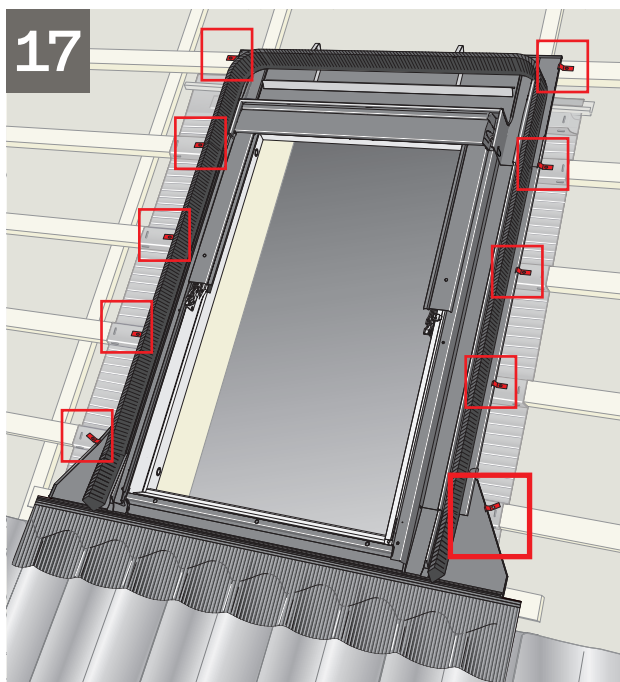
GPL / GPU / GTL / GTU / GDL



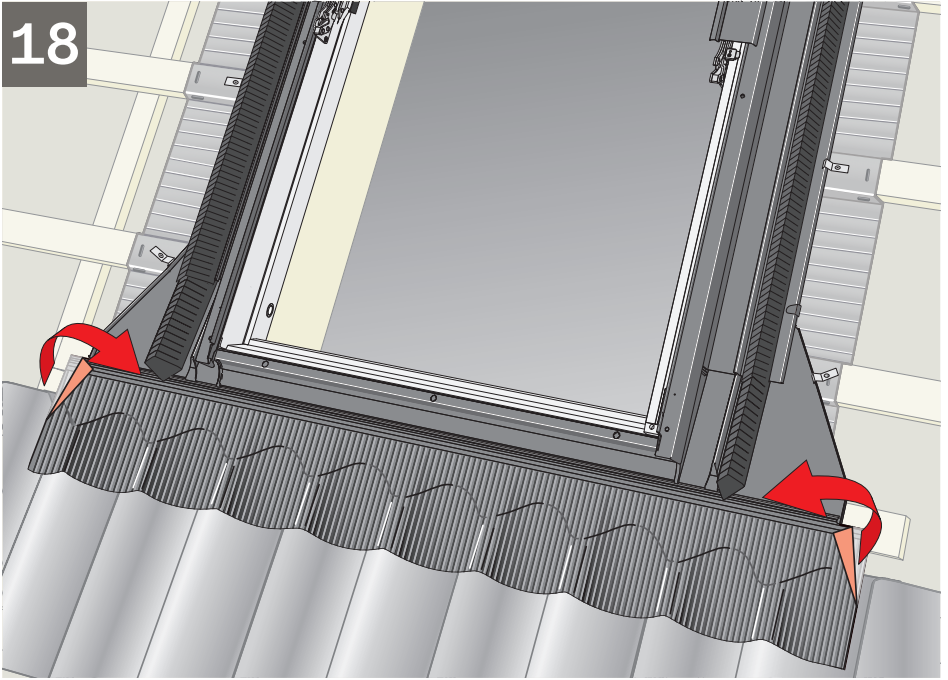
16



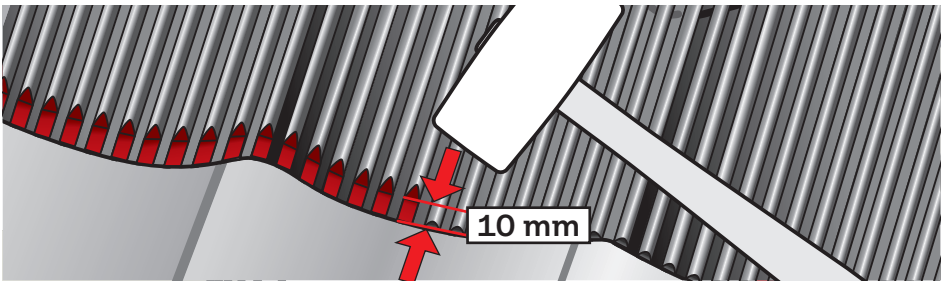
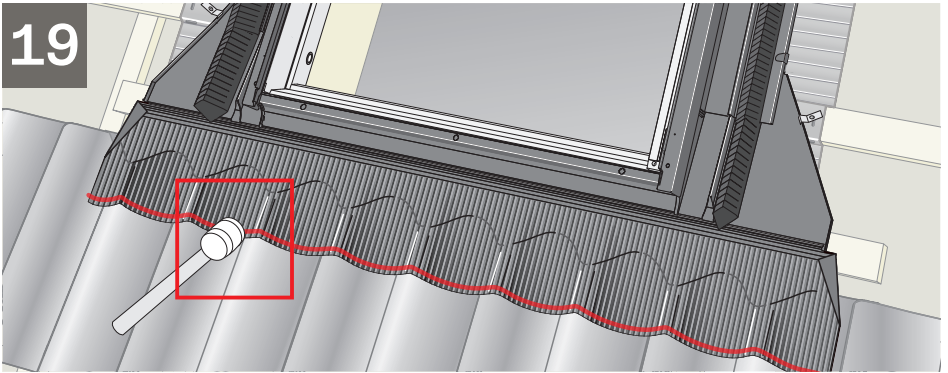
17

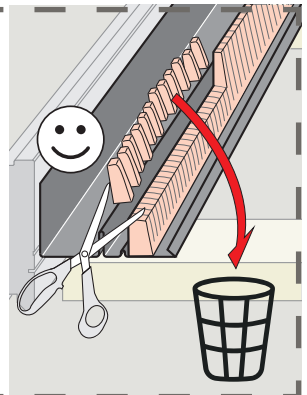
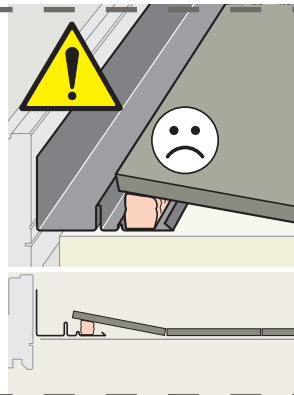
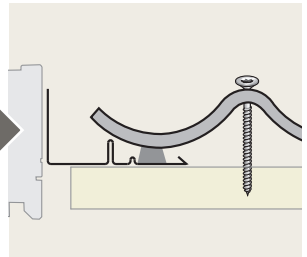
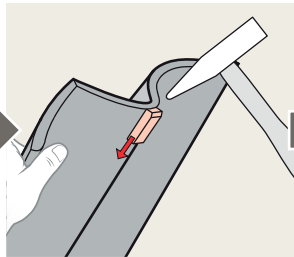
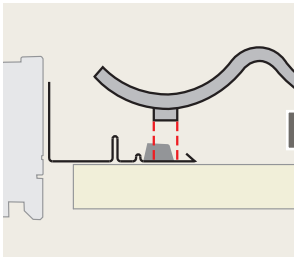
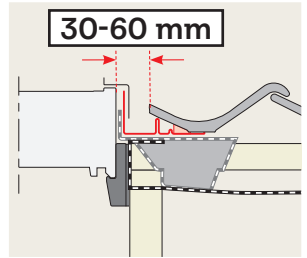
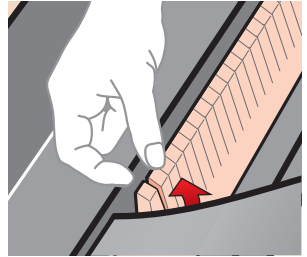
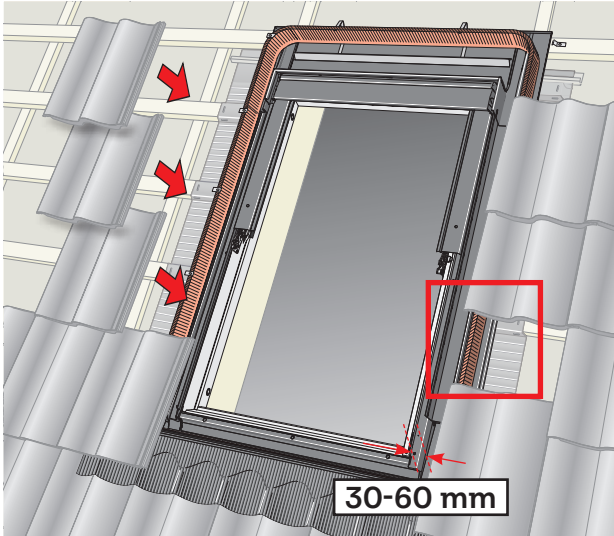


18



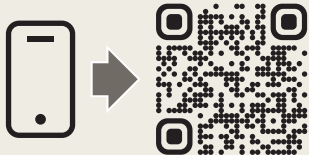
19







www.velux.com



velux.com/contact

INSTALLATION INSTRUCTIONS FOR FLASHING EW. ©2016, ©2025 VELUX GROUP. VELUX AND THE VELUX LOGO ARE REGISTERED TRADEMARKS USED UNDER LICENCE BY THE VELUX GROUP.