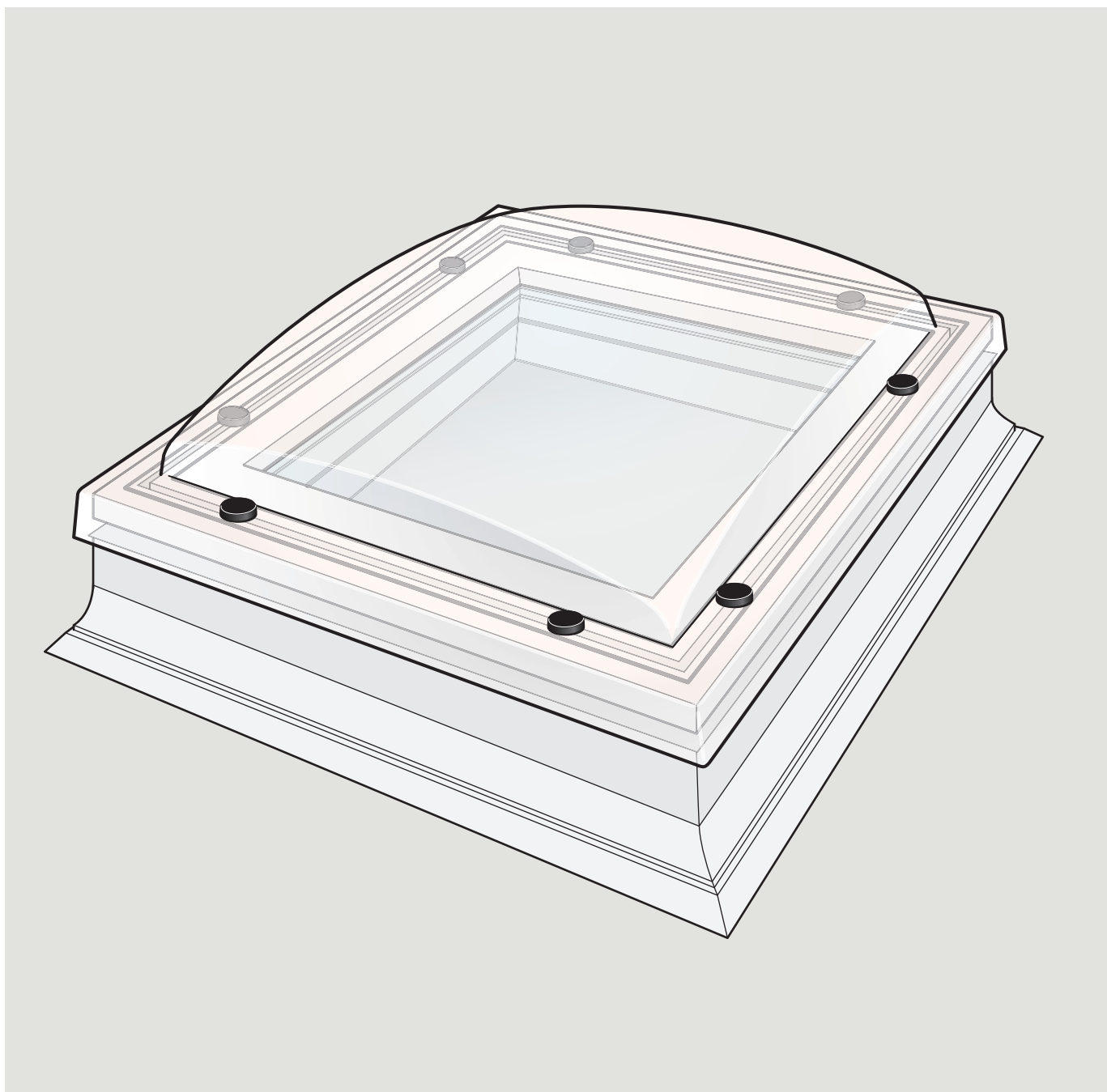
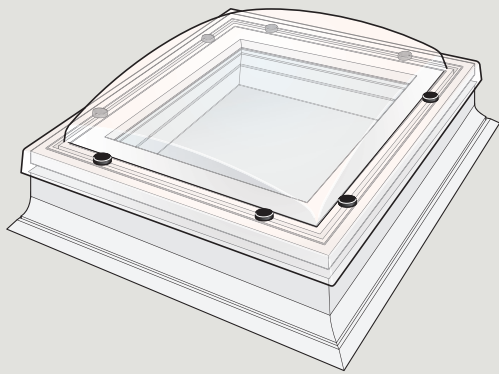


CVP + ISD

CVP + ZCE + ISD

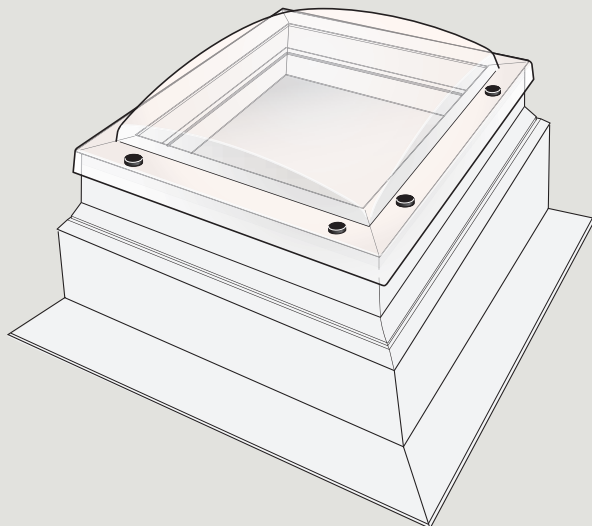
Rod operated





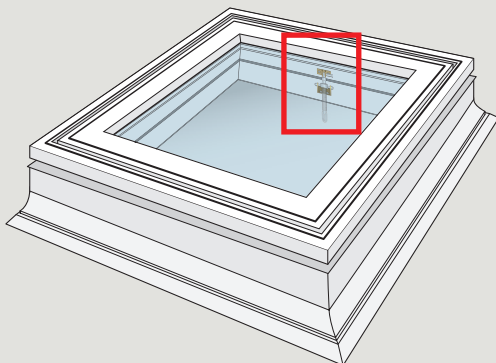
CVP + ISD
Rod operated

Pages
3-9



CVP + ZCE + ISD
Rod operated

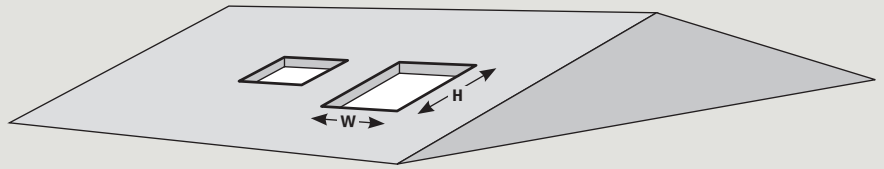
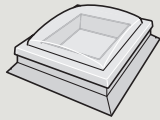
Pages
10-20



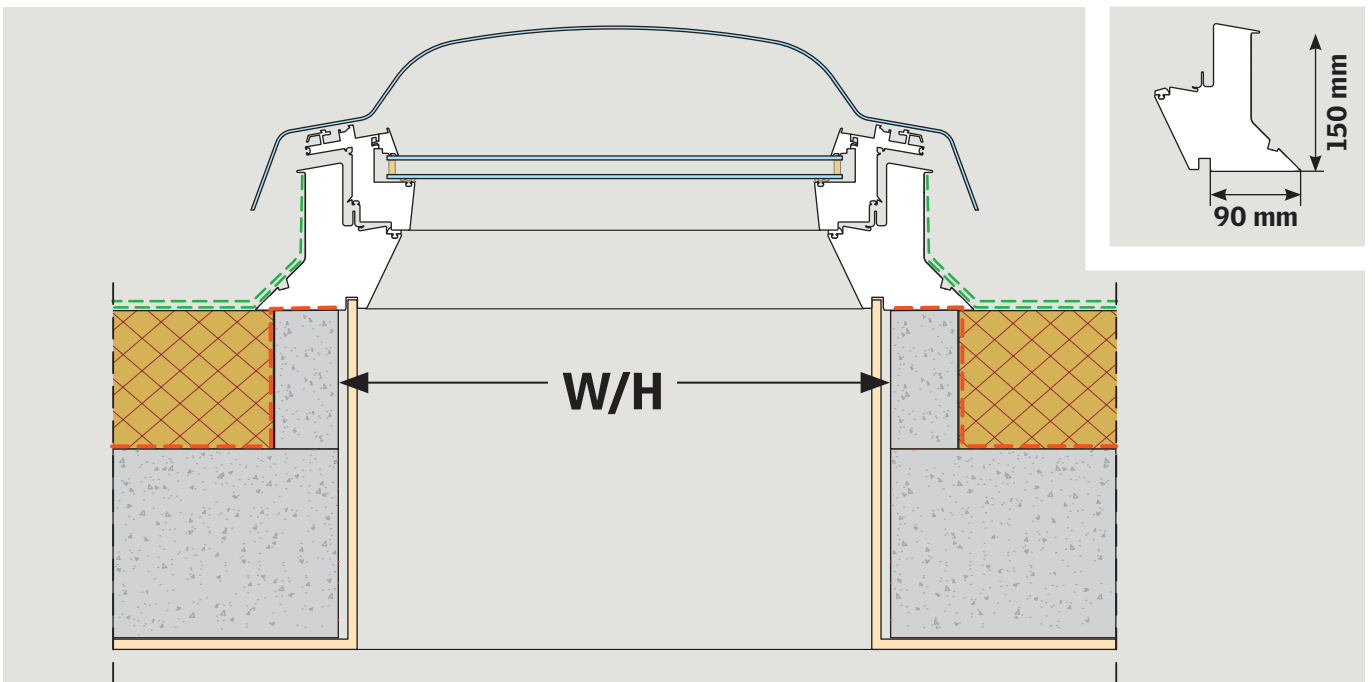
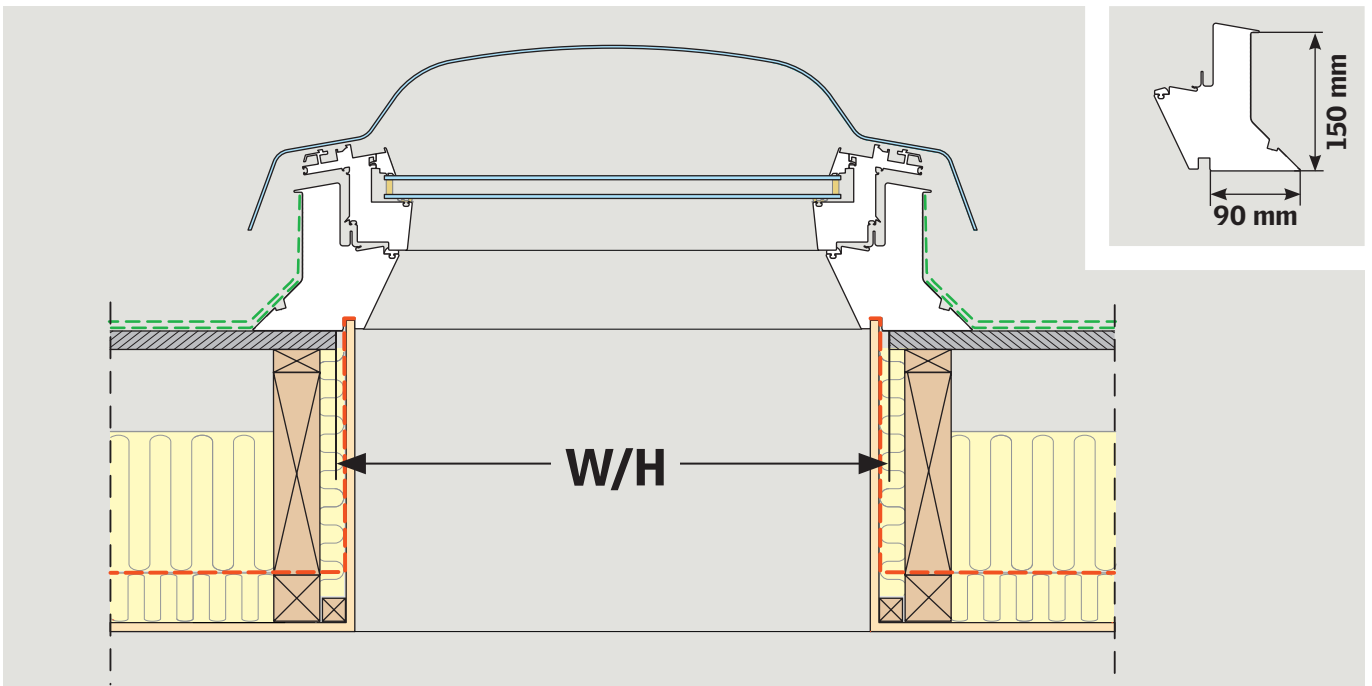
Mounting screw Jack

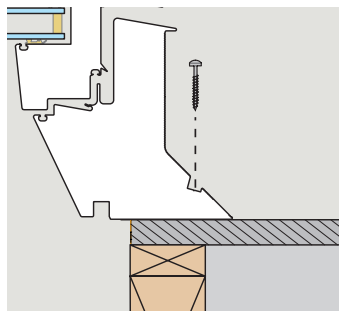
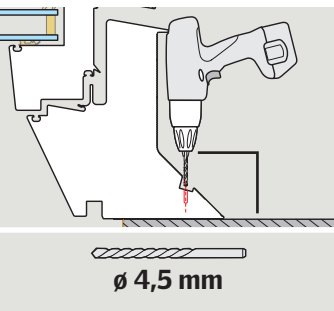
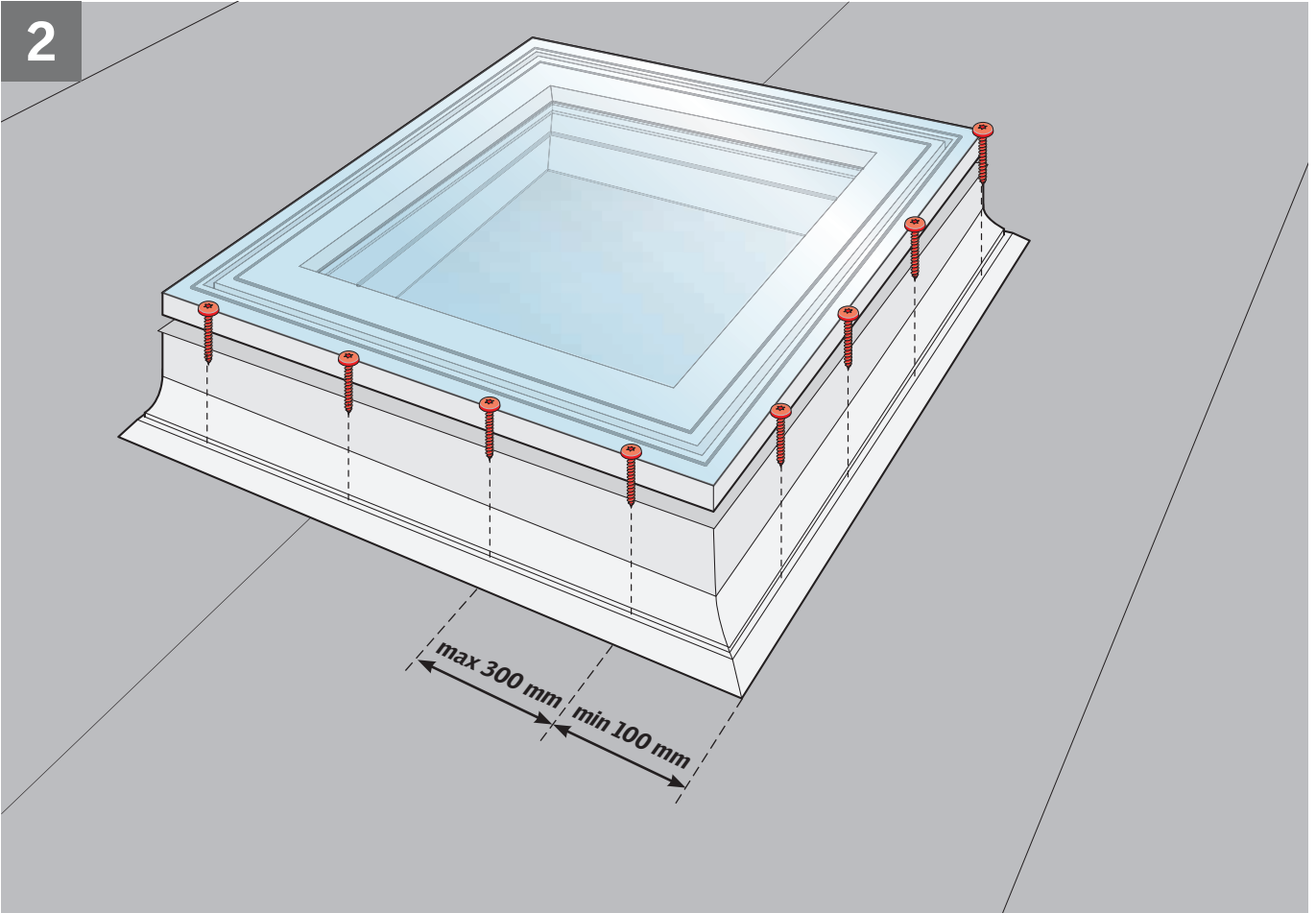
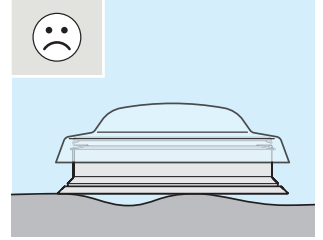
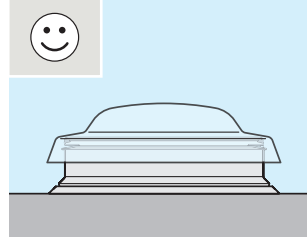
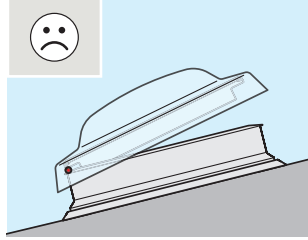
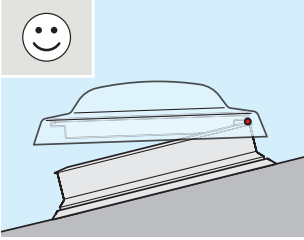
Page
21

1

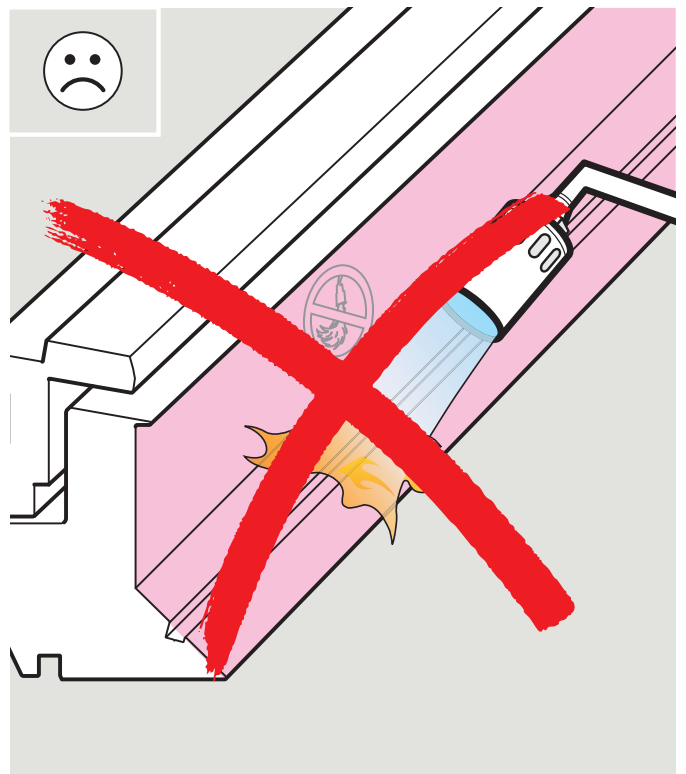
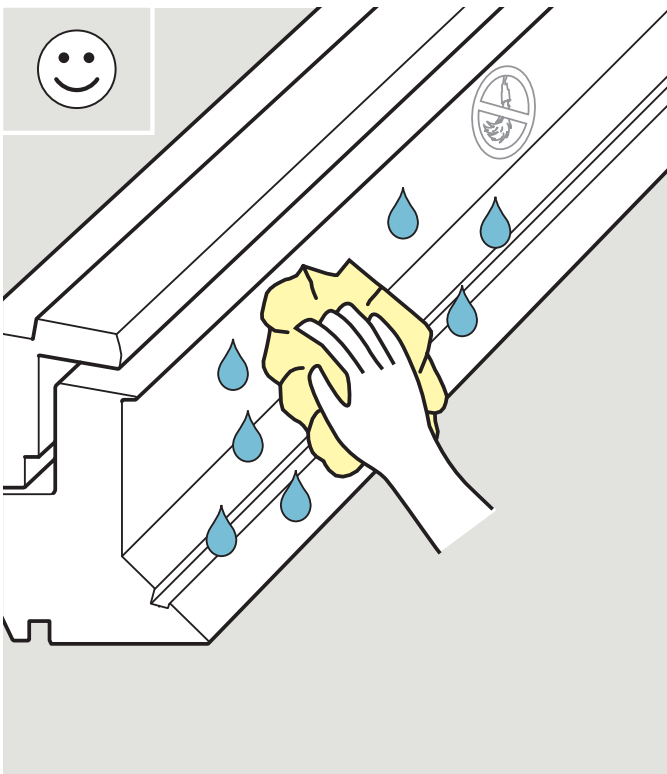
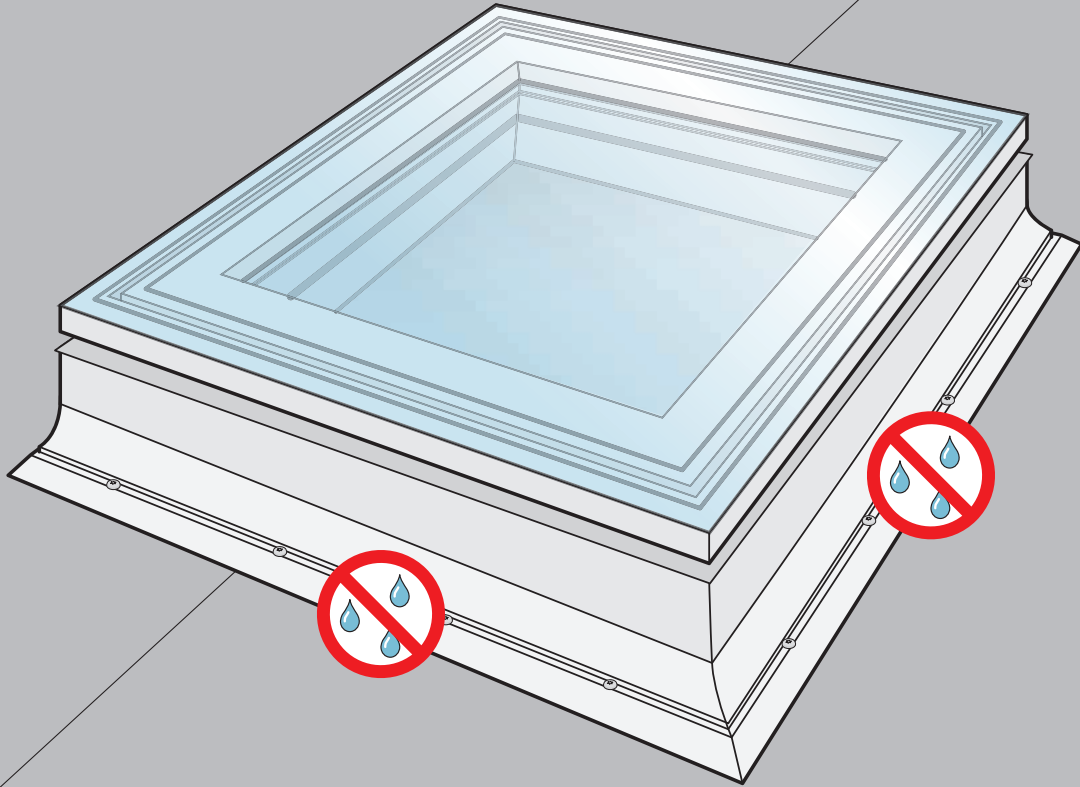


CVP	W mm	H mm
060060	600-610	600-610
080080	800-810	800-810
060090	600-610	900-910
090090	900-910	900-910
090120	900-910	1200-1210
100100	1000-1010	1000-1010
100150	1000-1010	1500-1510
120120	1200-1210	1200-1210

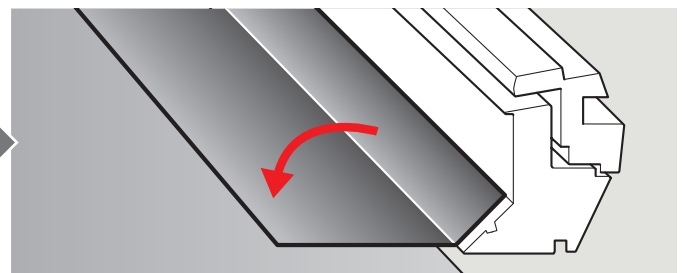
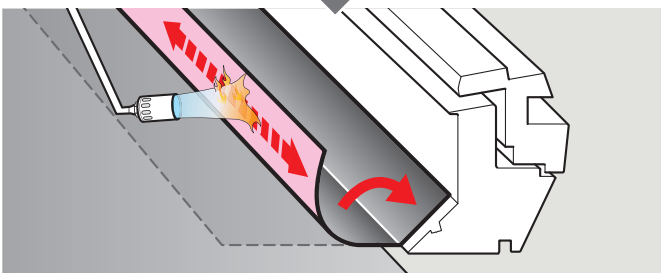
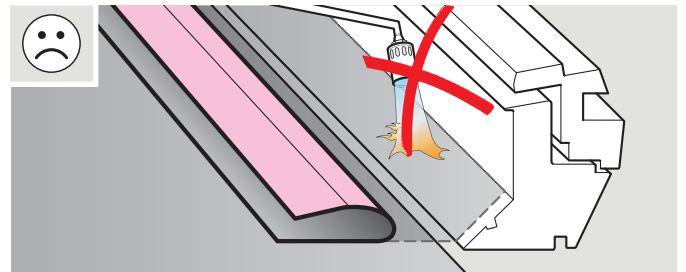
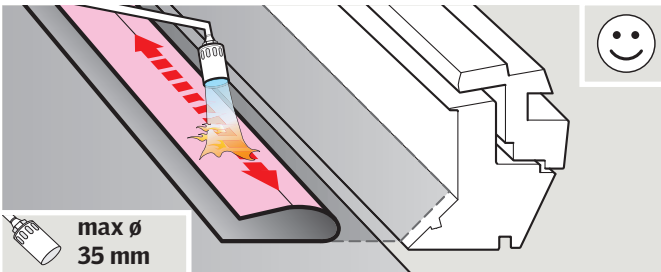
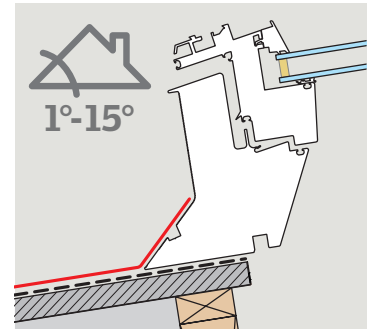
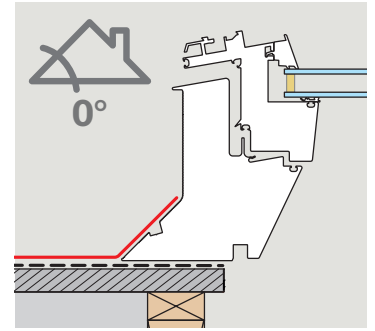
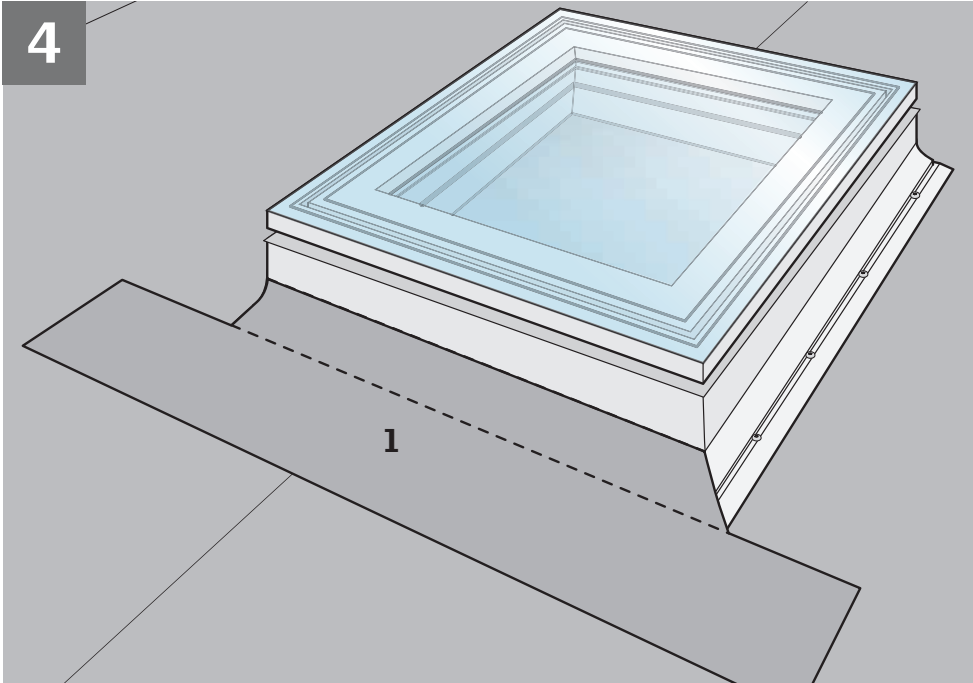




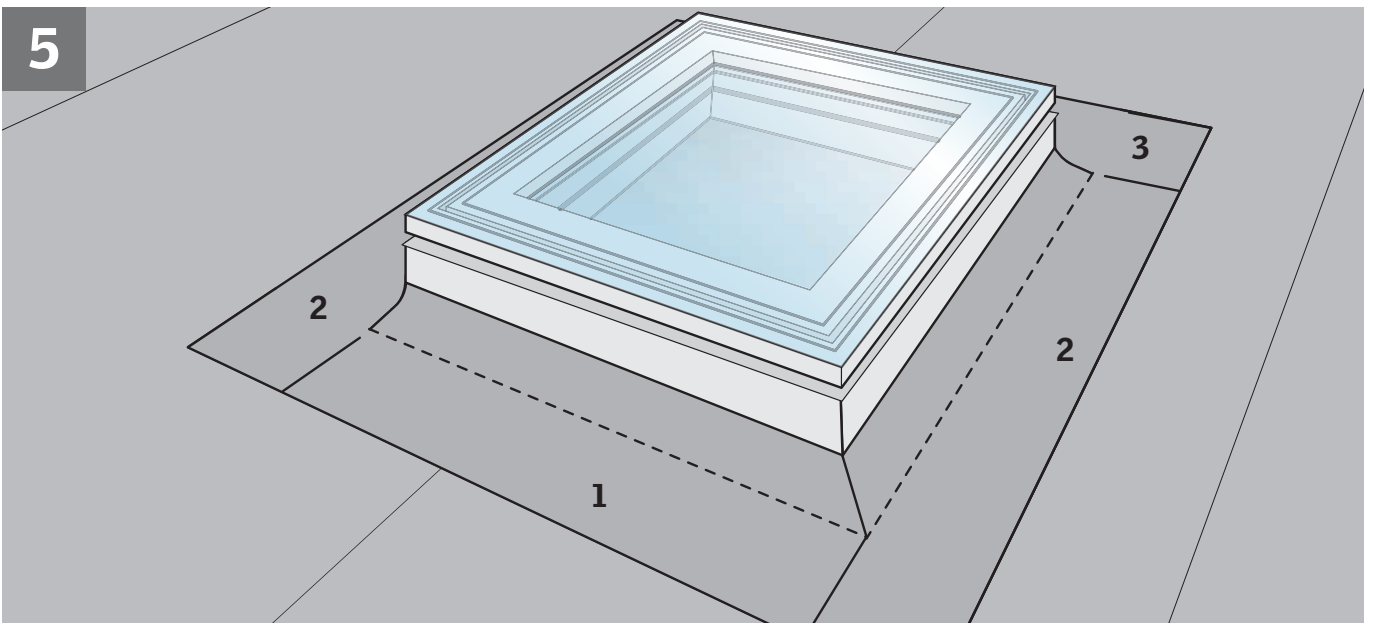
3



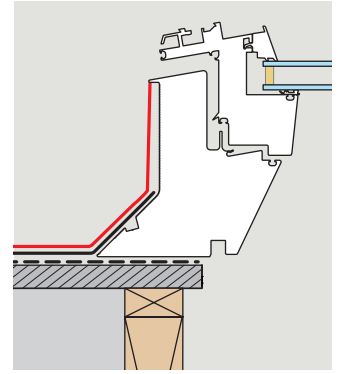
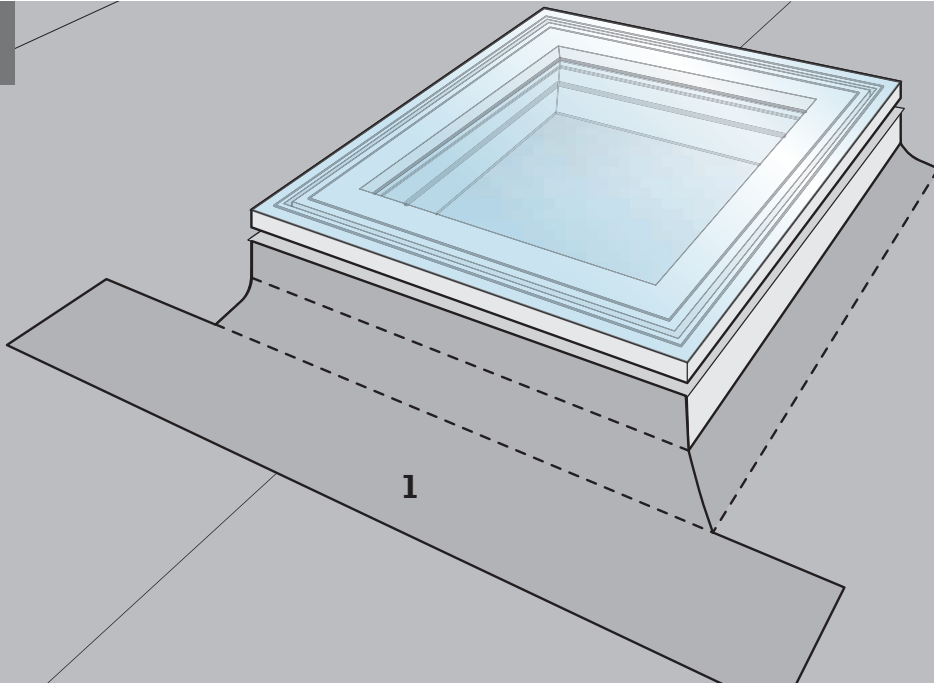
4



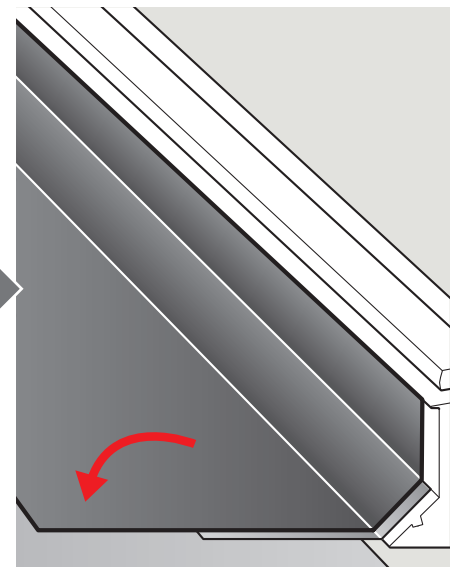
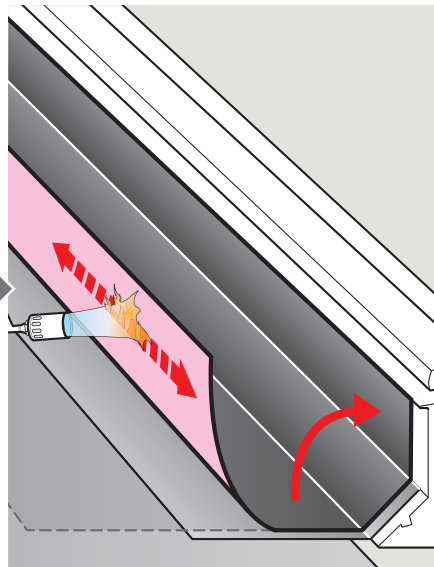
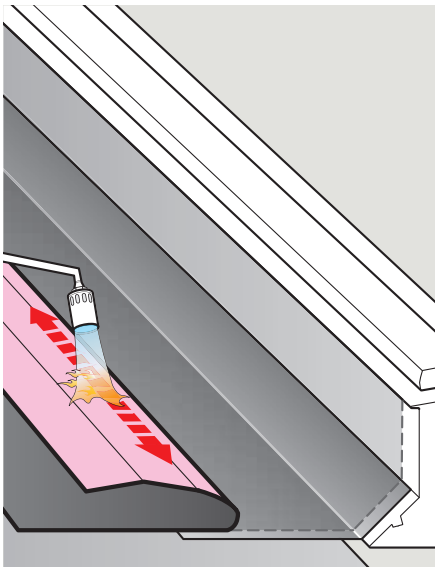
5



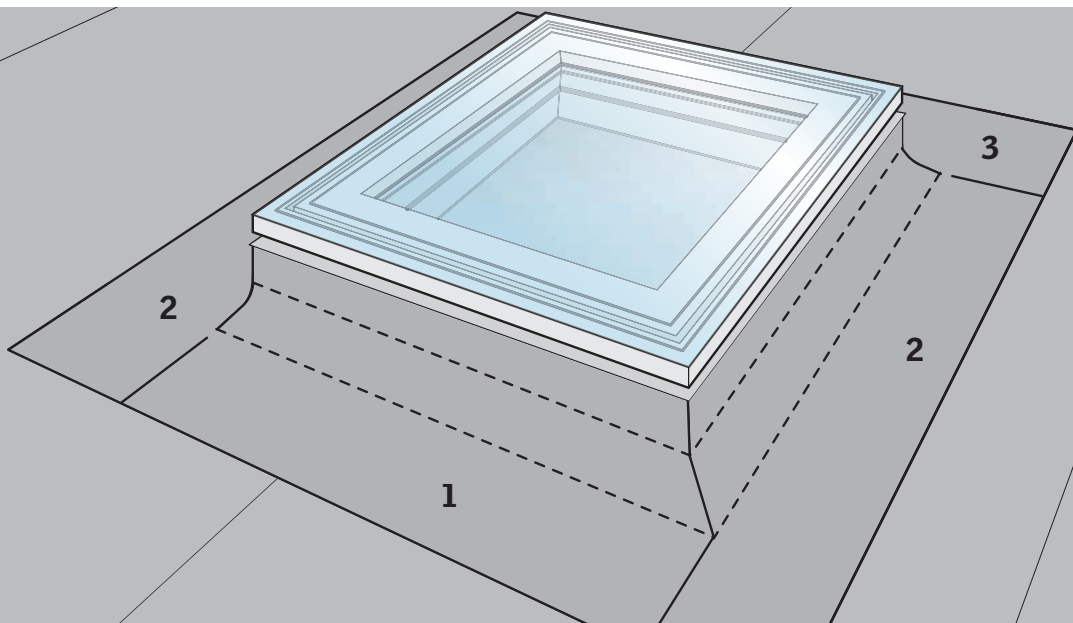
6



1



7



2

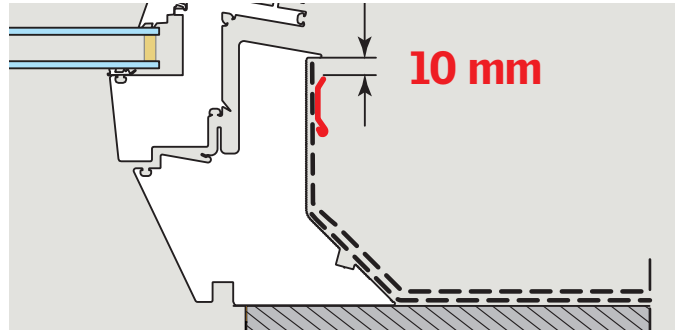
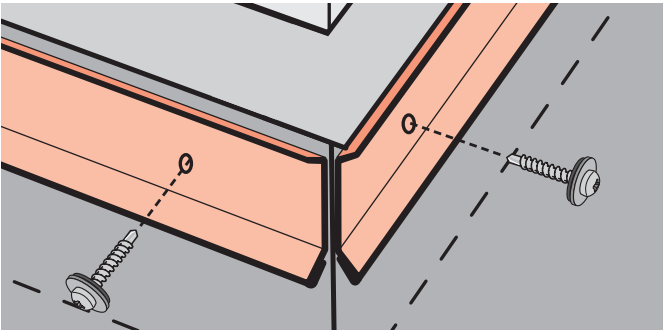
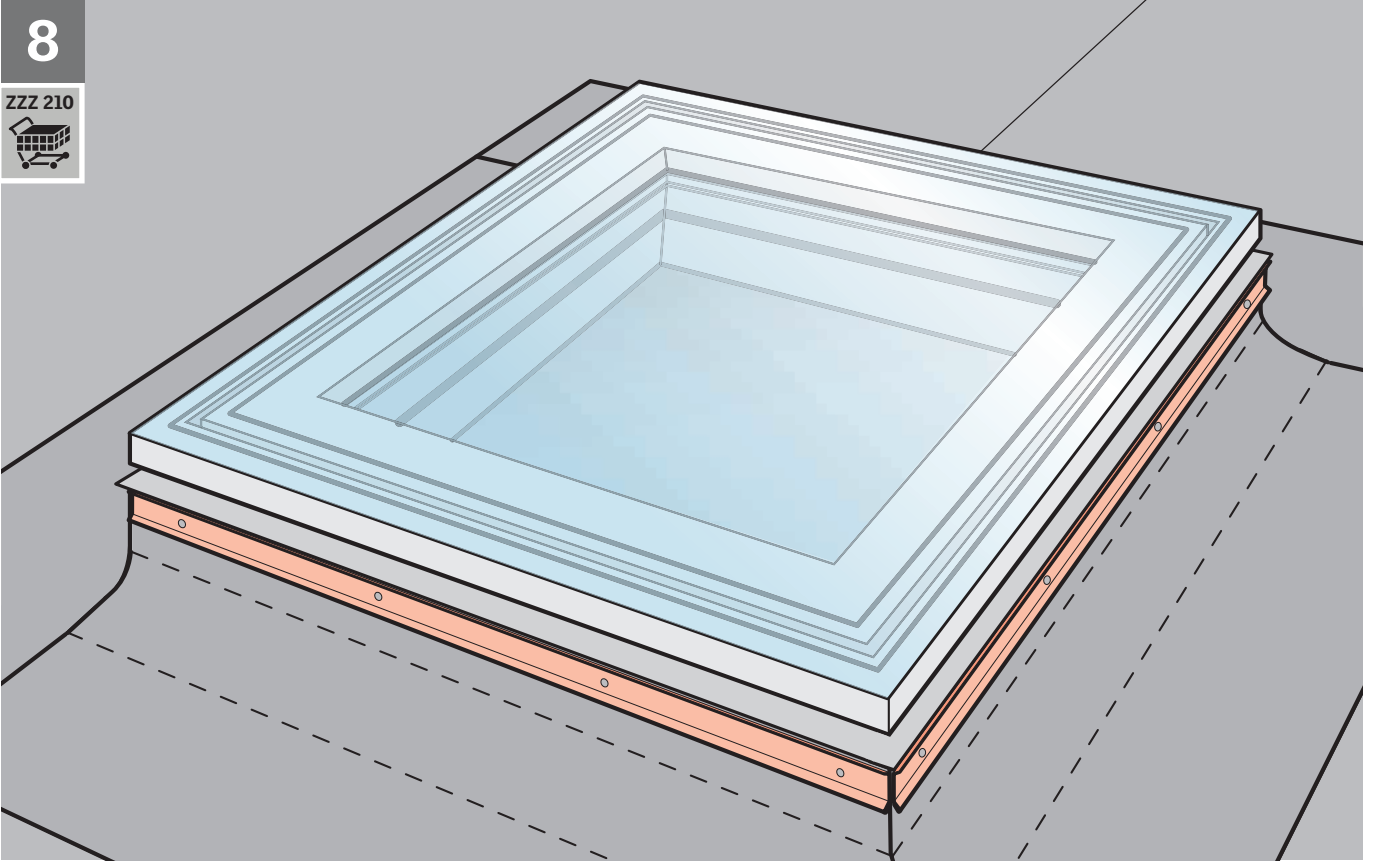
1

2

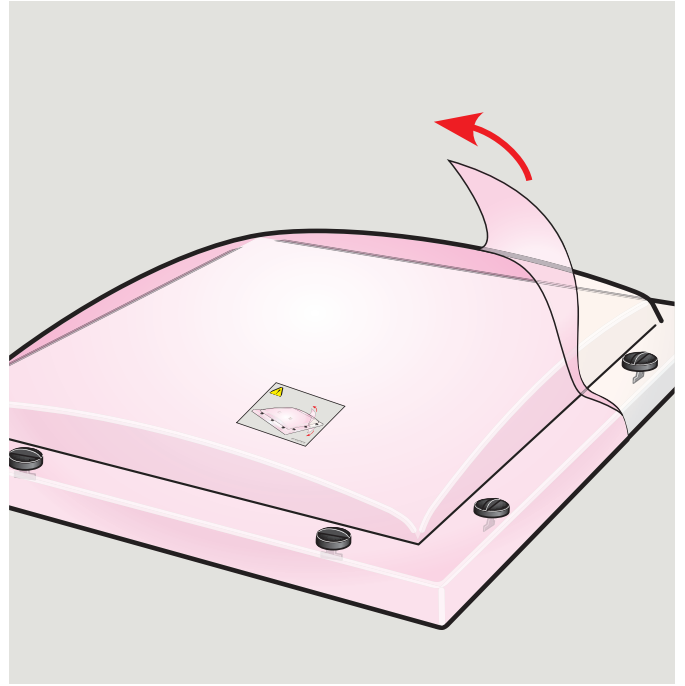
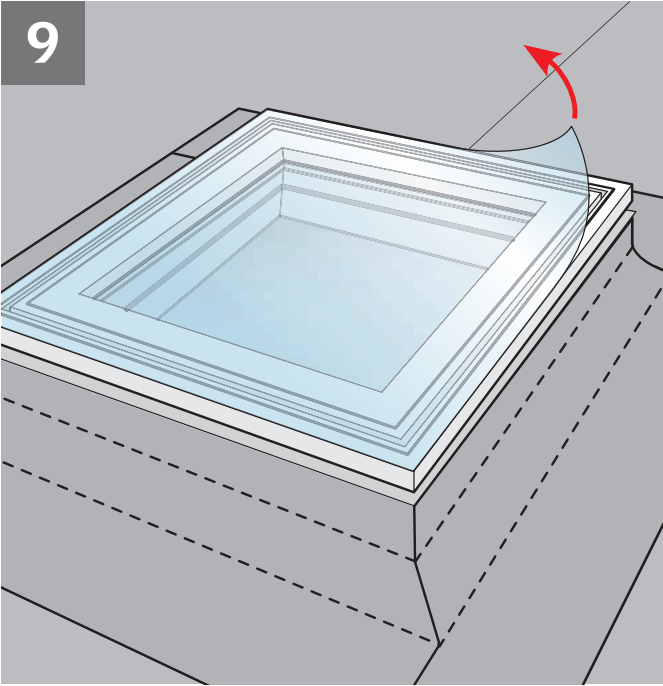
3

8

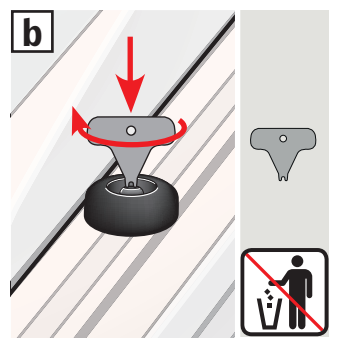
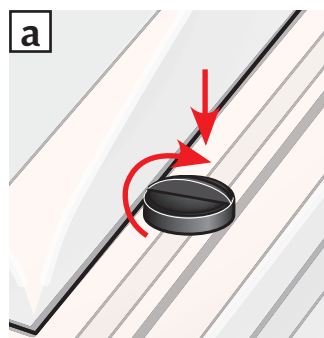
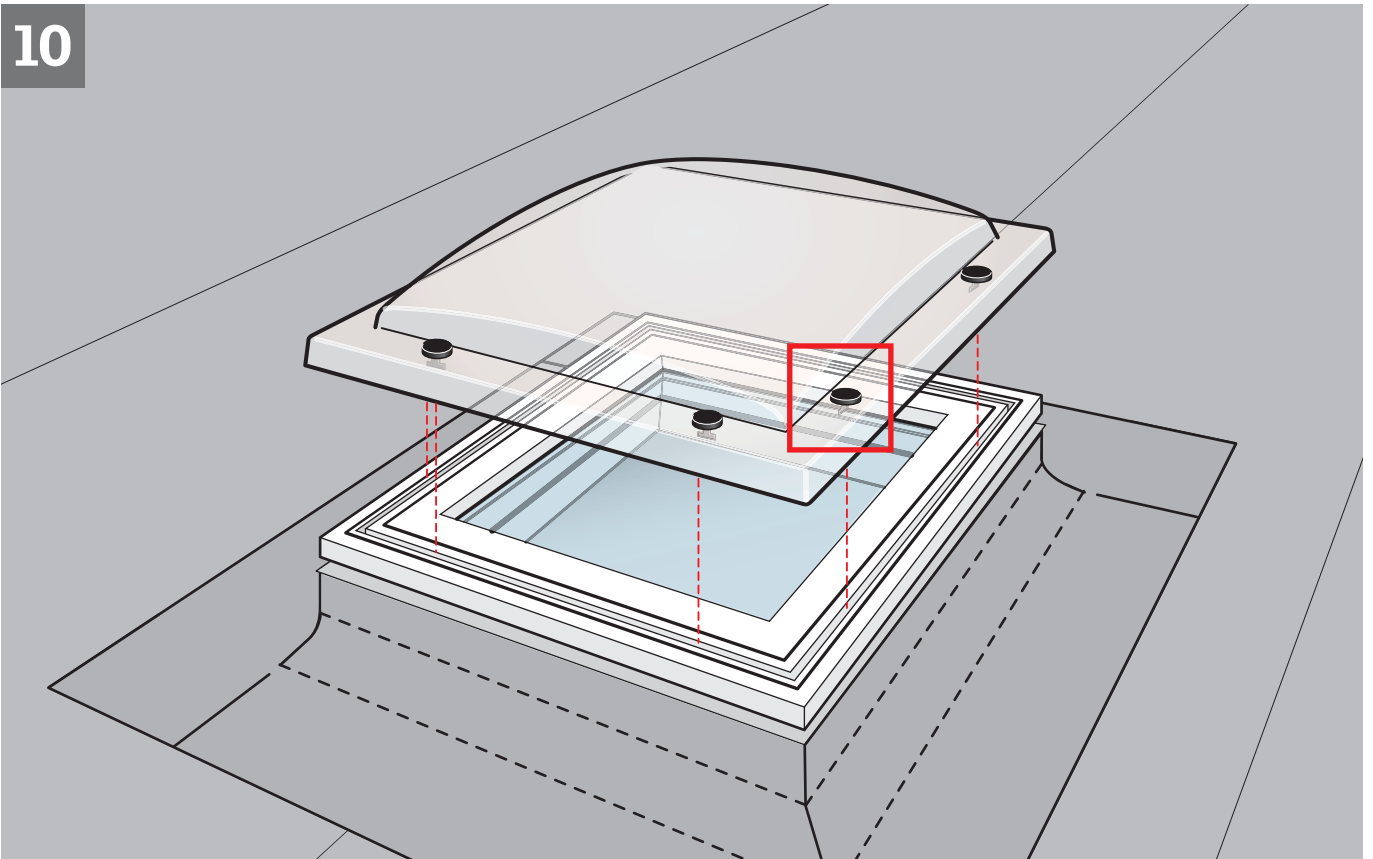
ZZZ 210



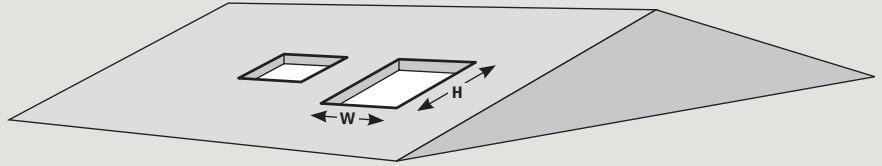
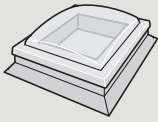
9



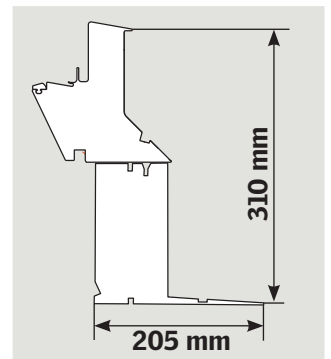
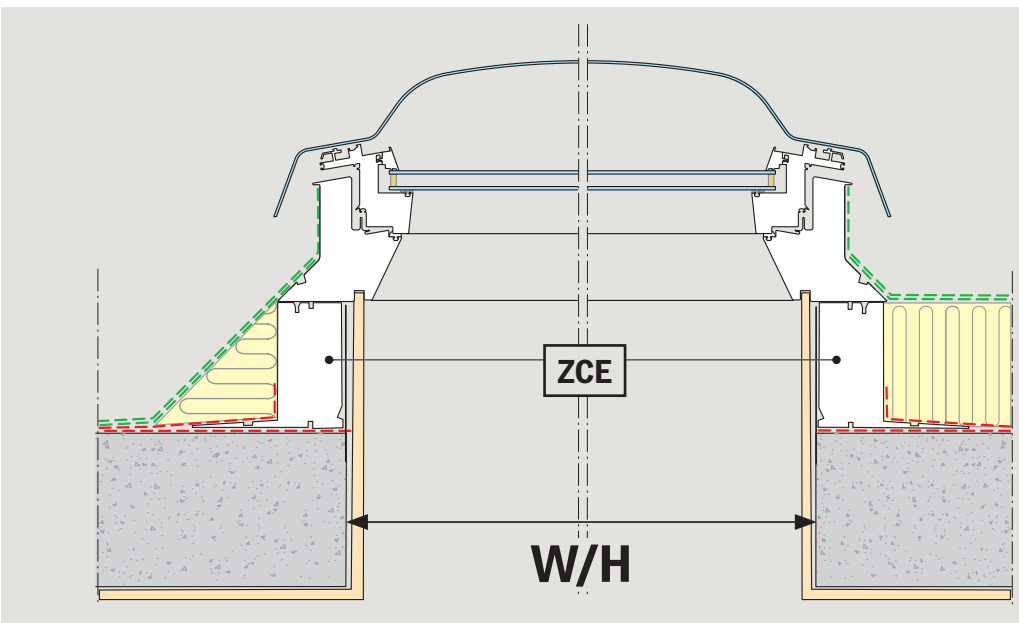
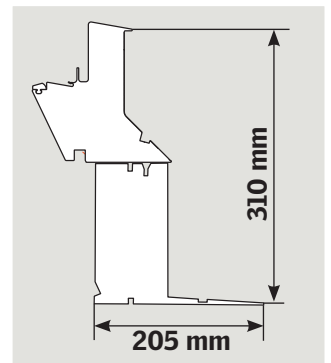
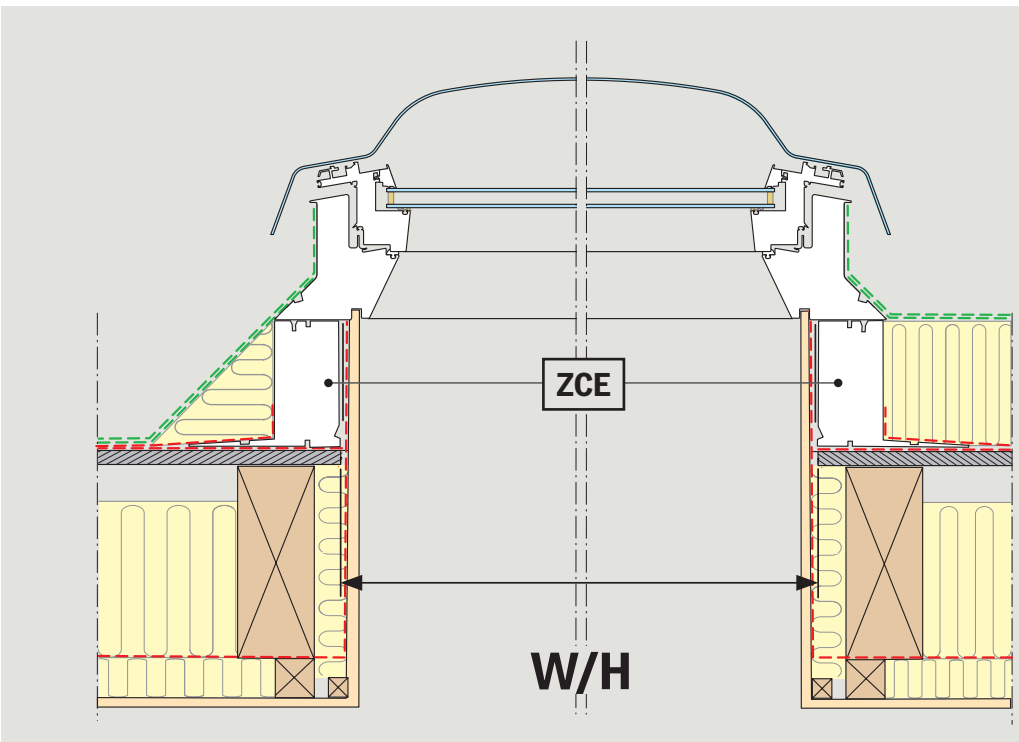
10



1a



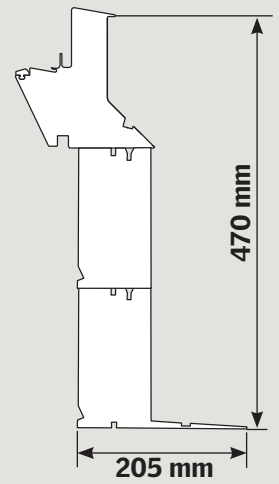
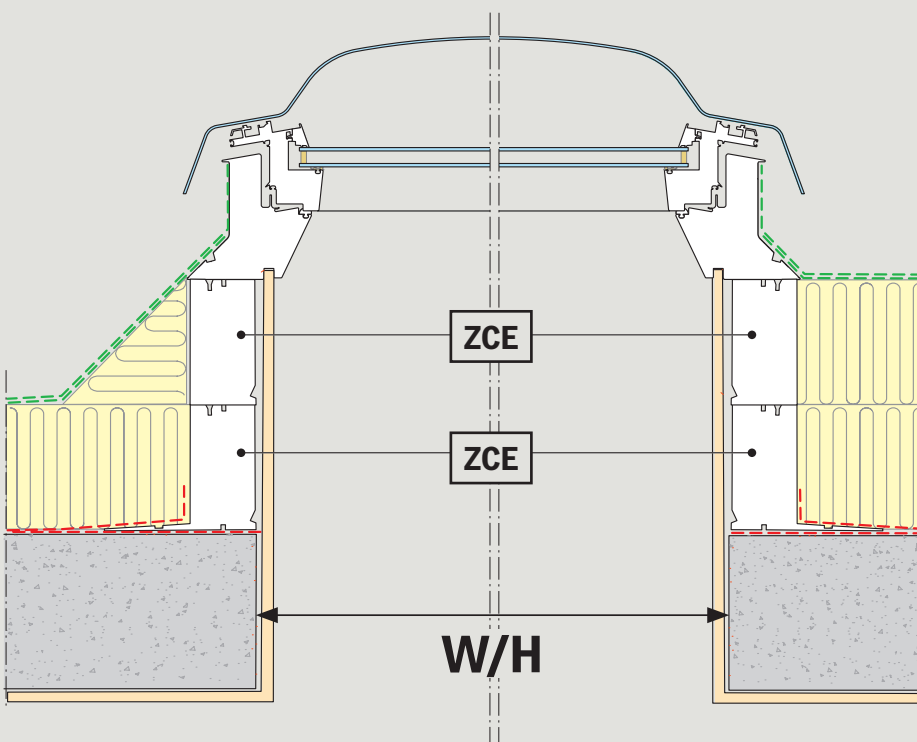
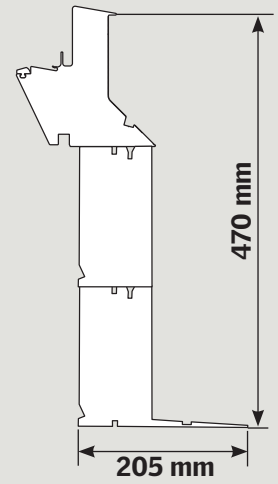
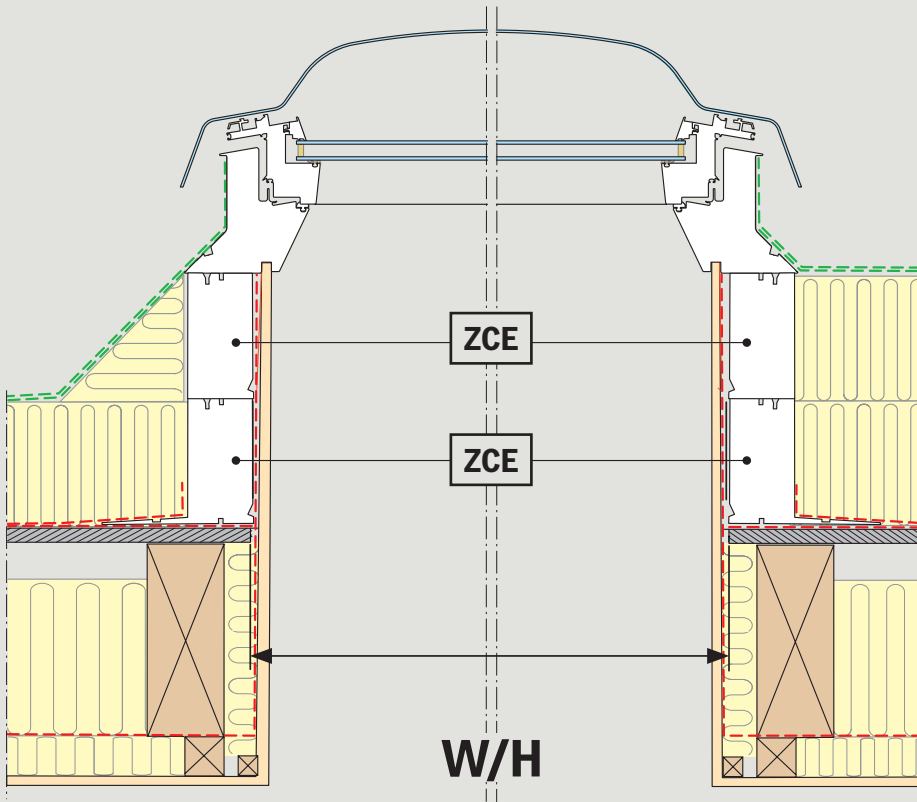
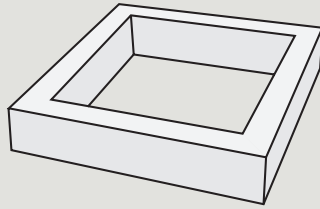
CVP	W mm	H mm
060060	600-610	600-610
080080	800-810	800-810
060090	600-610	900-910
090090	900-910	900-910
090120	900-910	1200-1210
100100	1000-1010	1000-1010
100150	1000-1010	1500-1510
120120	1200-1210	1200-1210

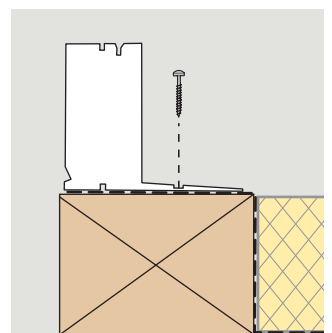
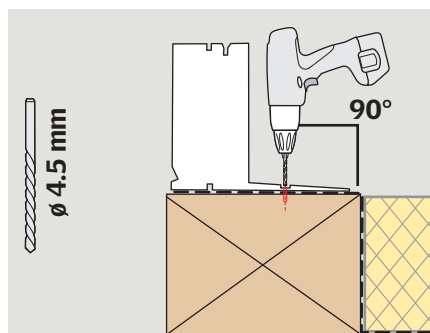
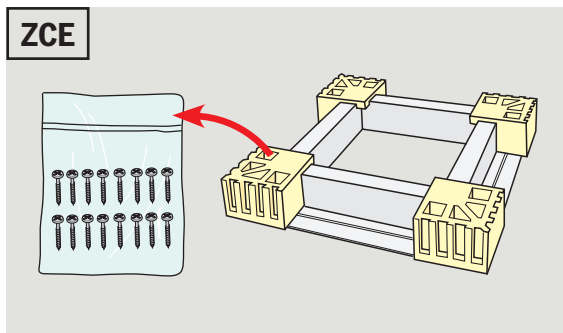
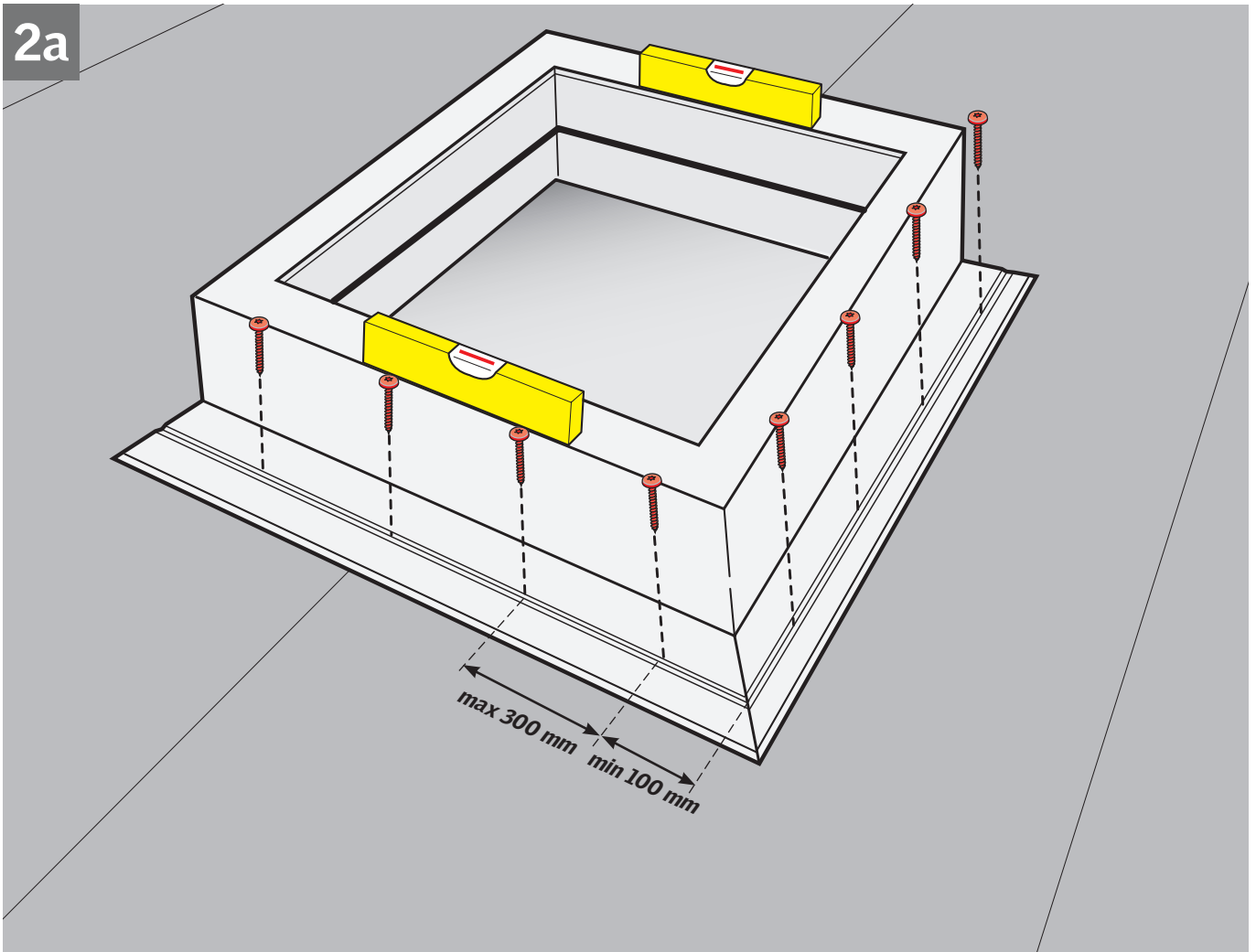
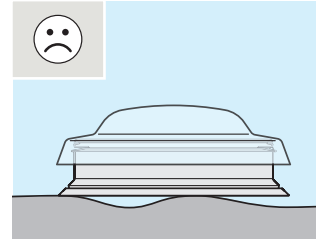
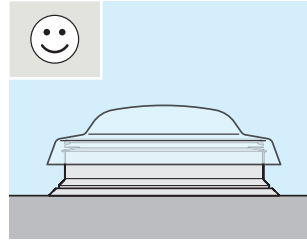
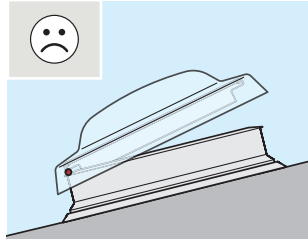
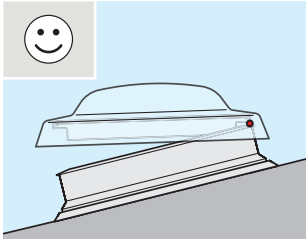


1b



ZCE

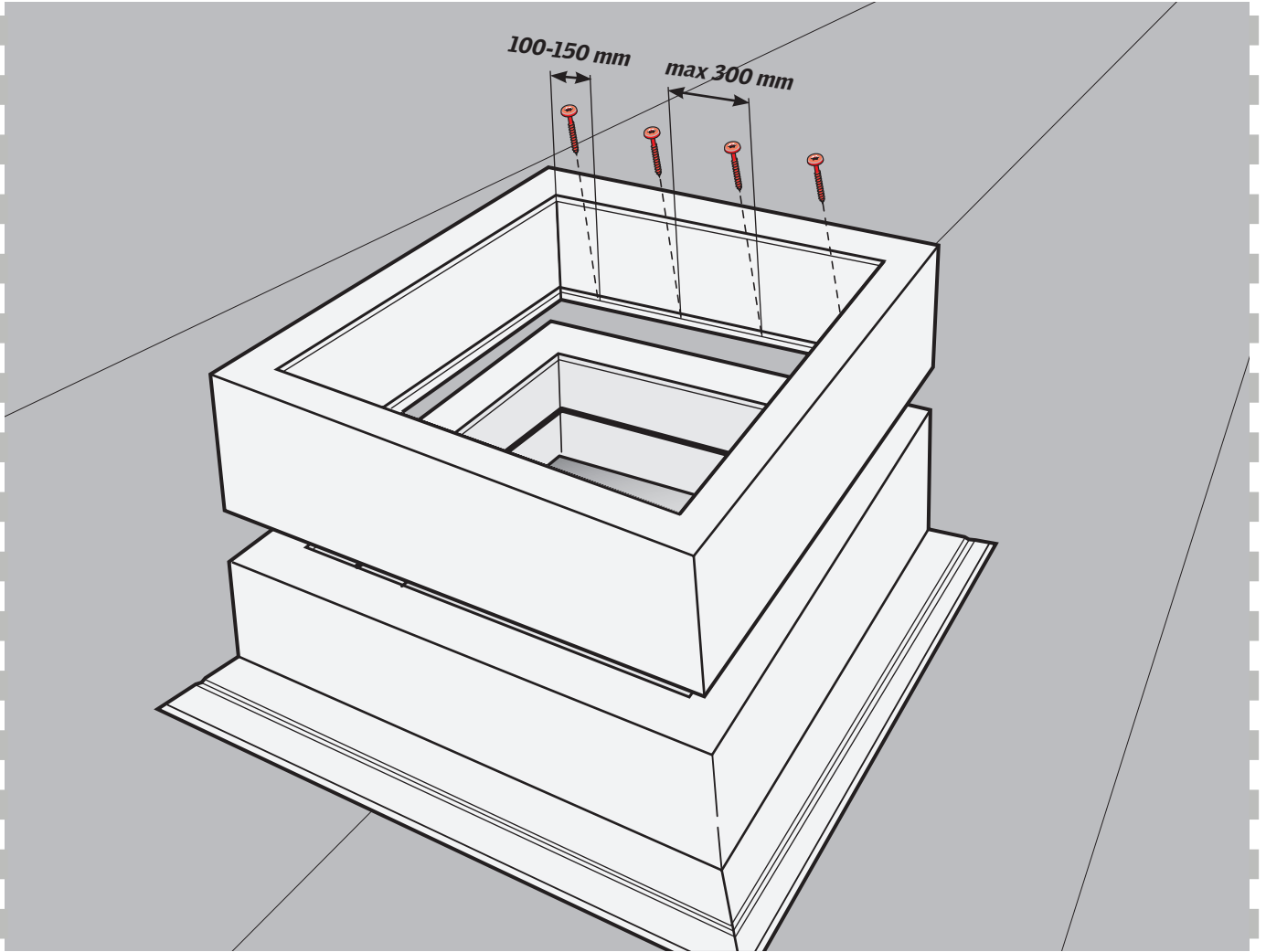
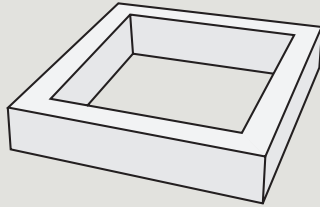




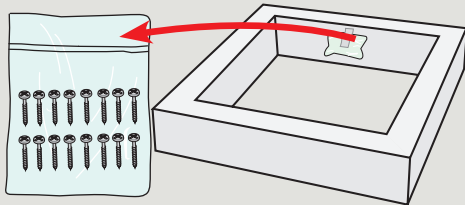
2b



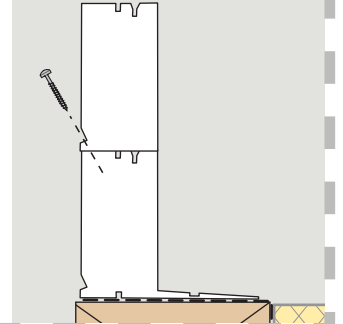
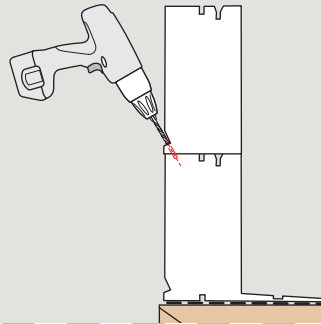
ZCE



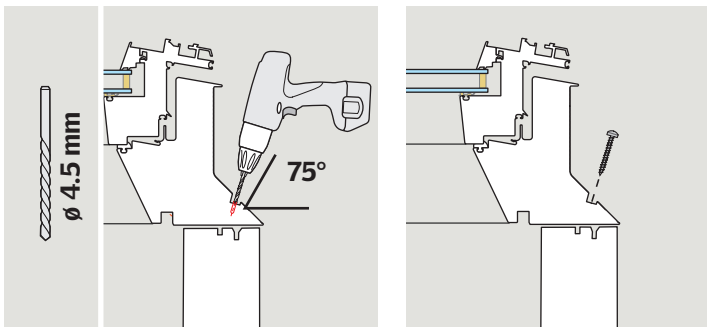
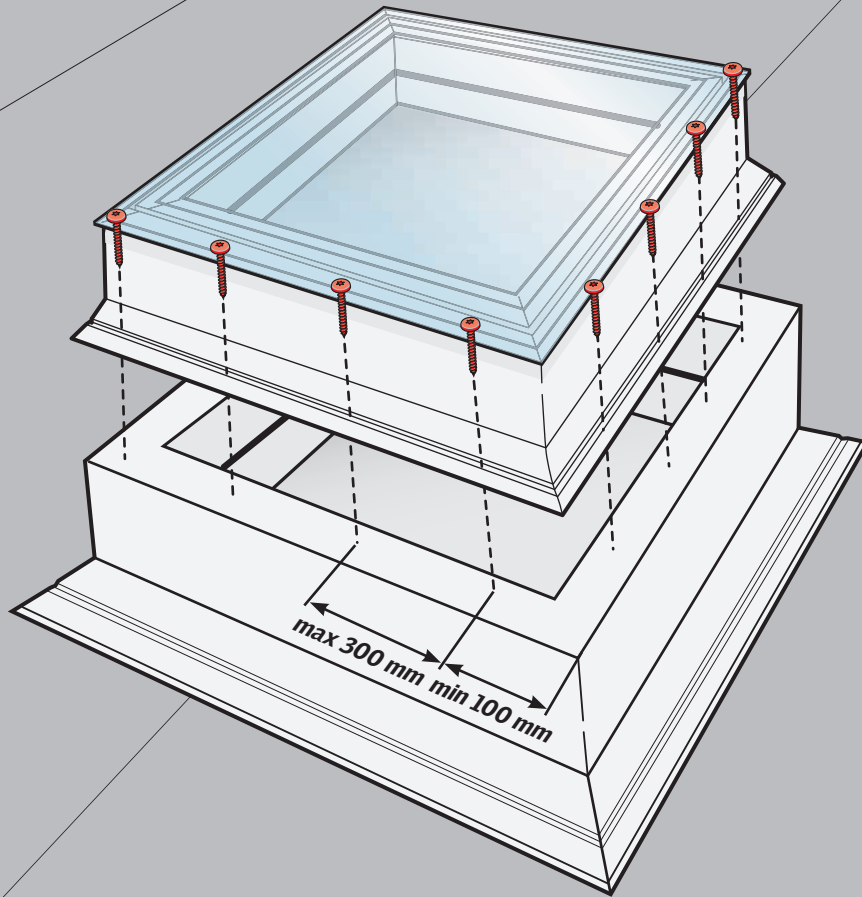
ZCE



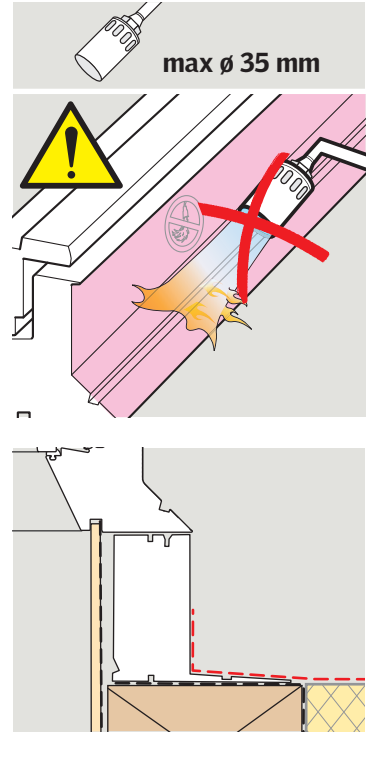
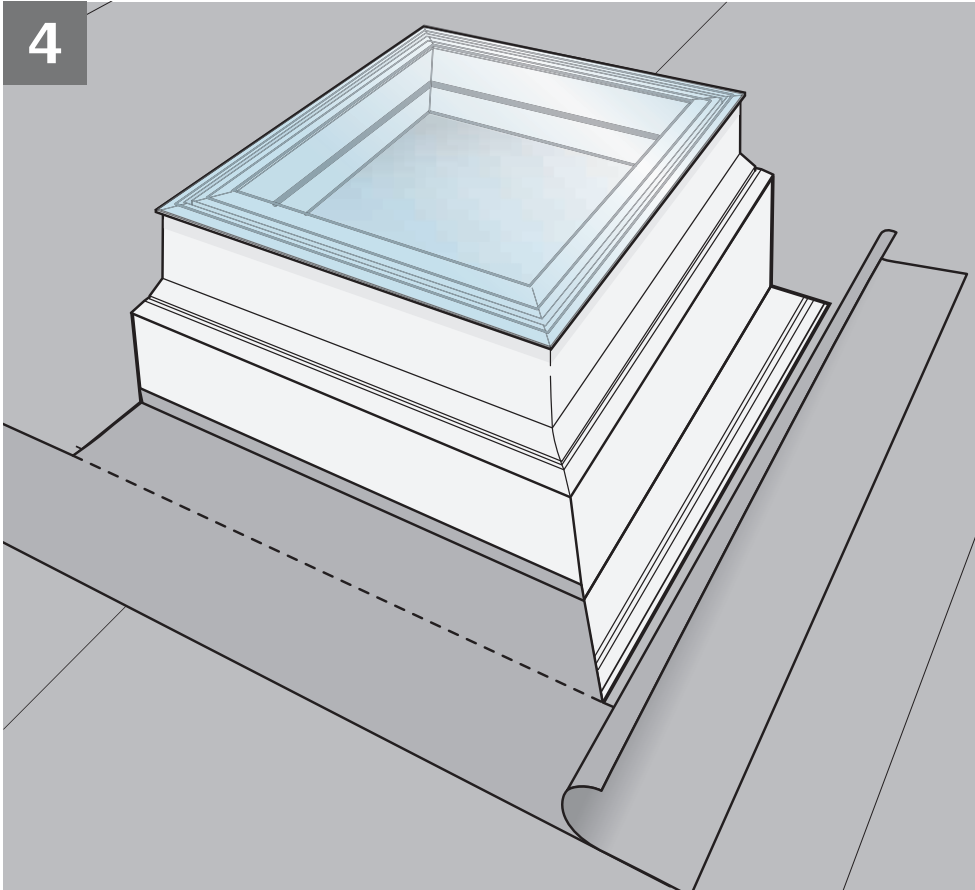
Ø 4.5 mm



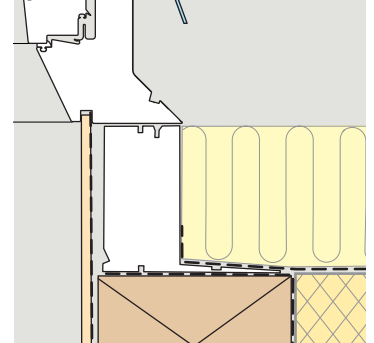
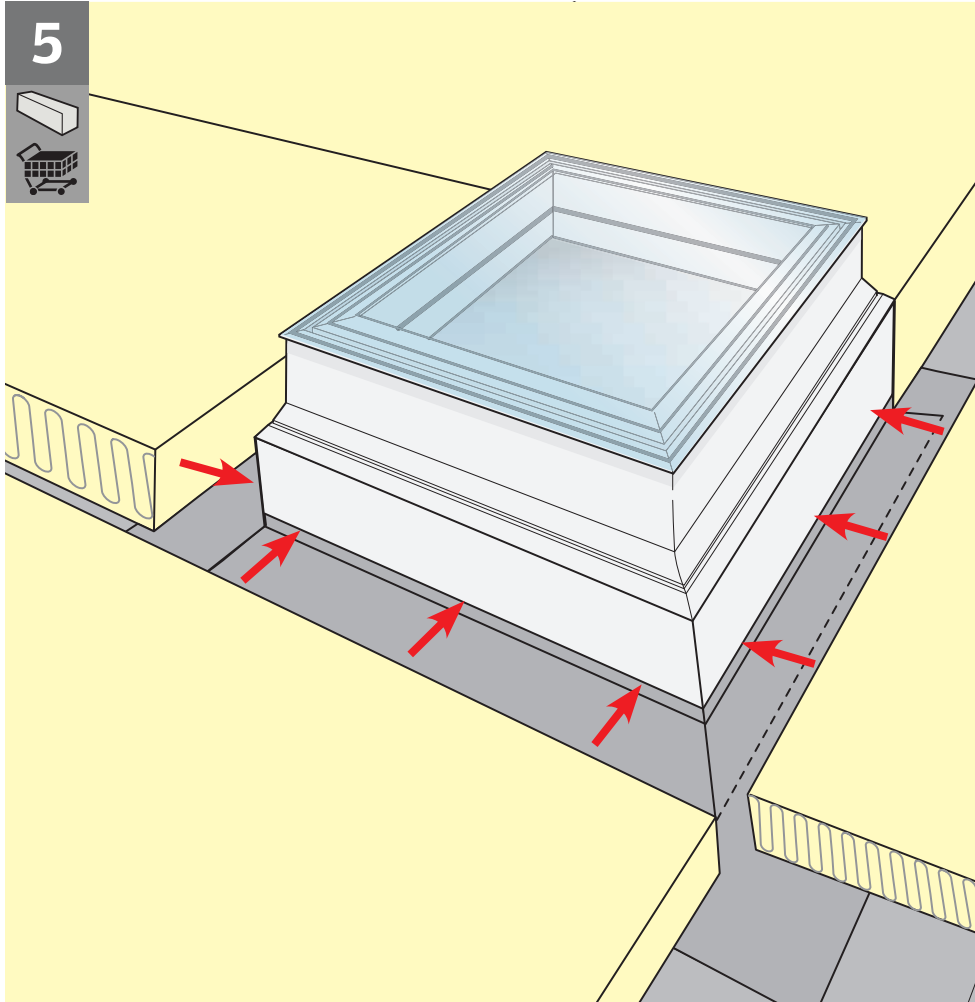
3



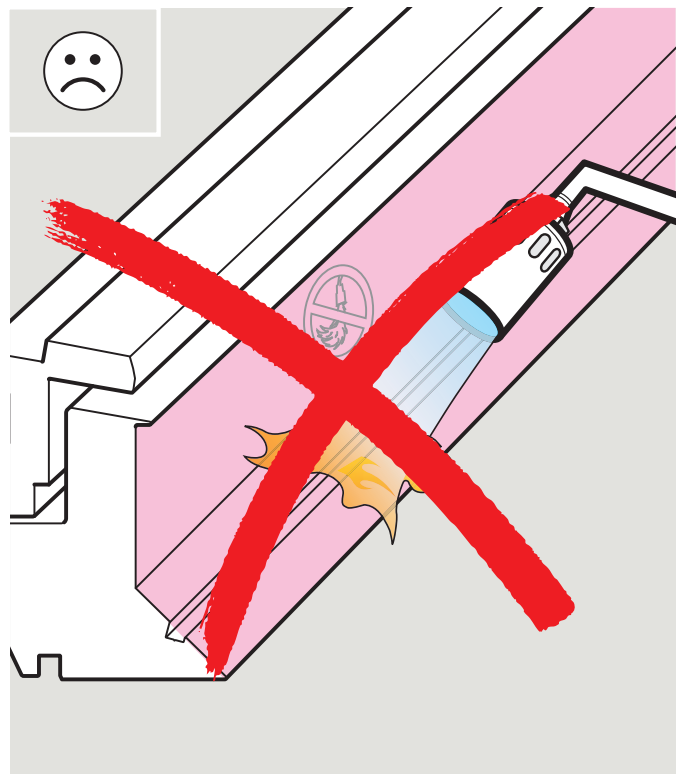
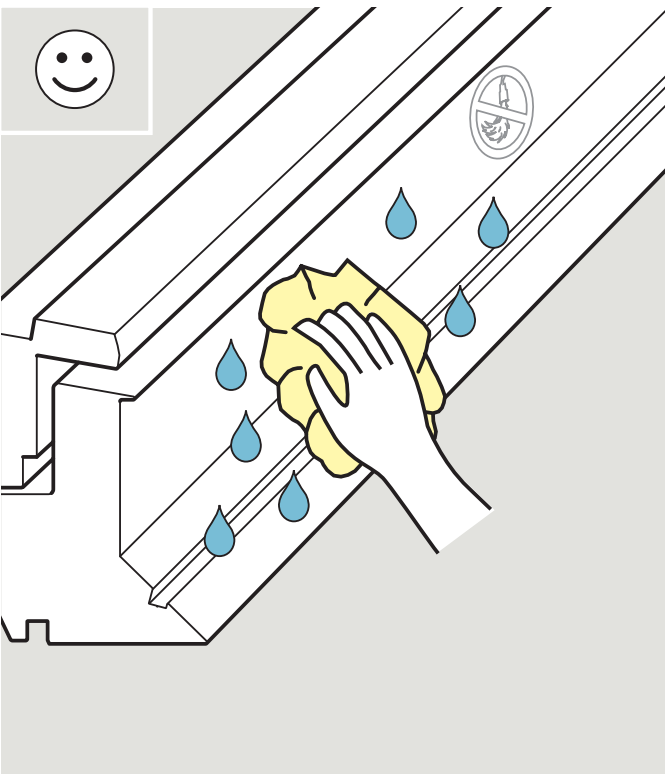
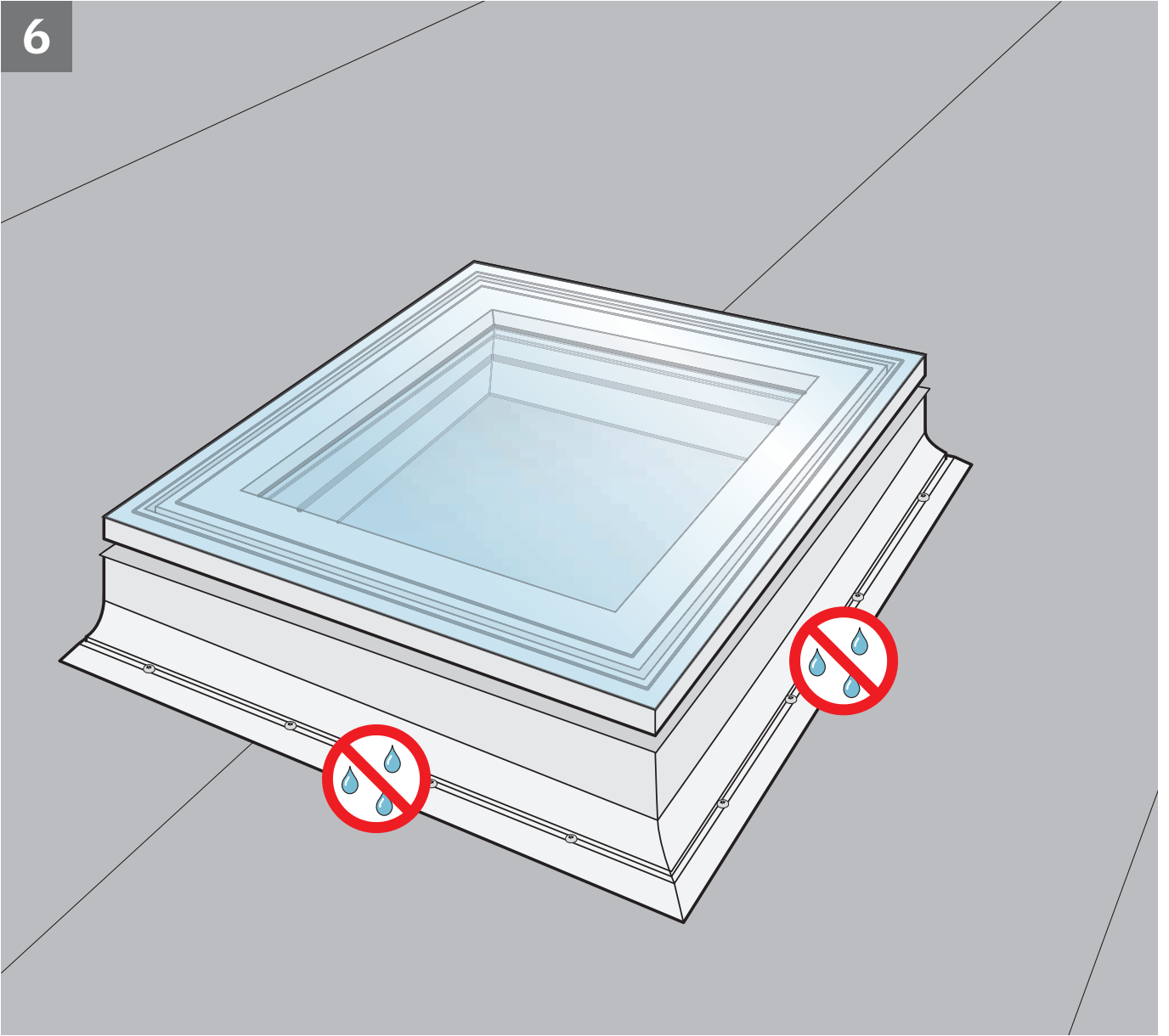
4



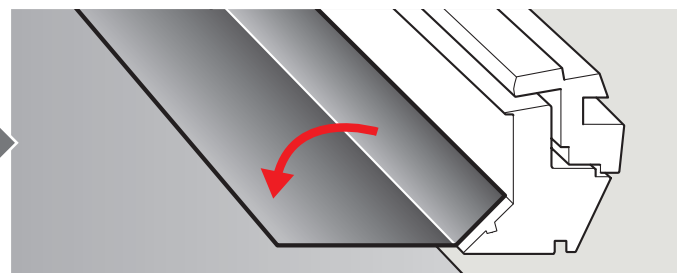
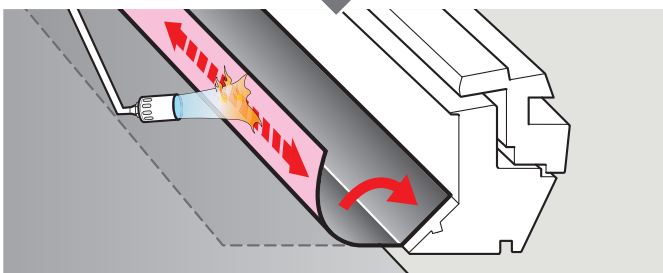
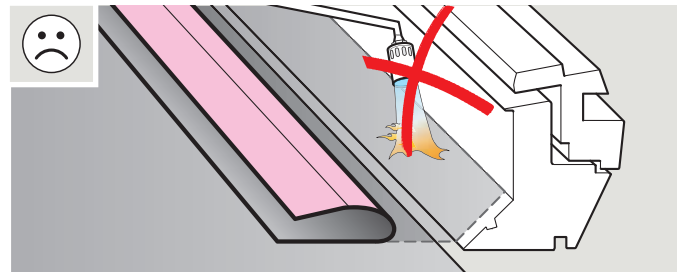
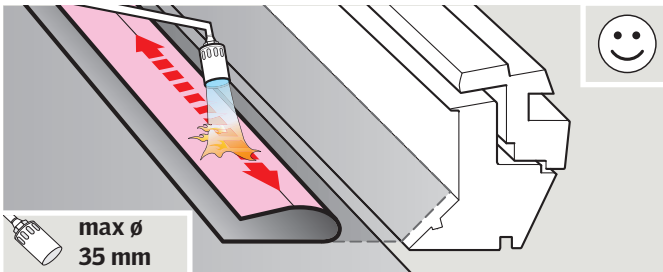
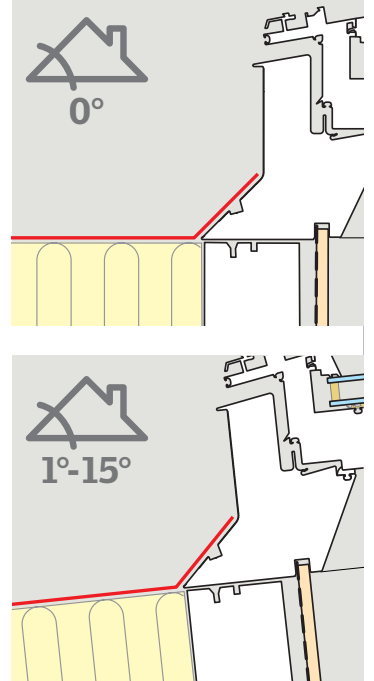
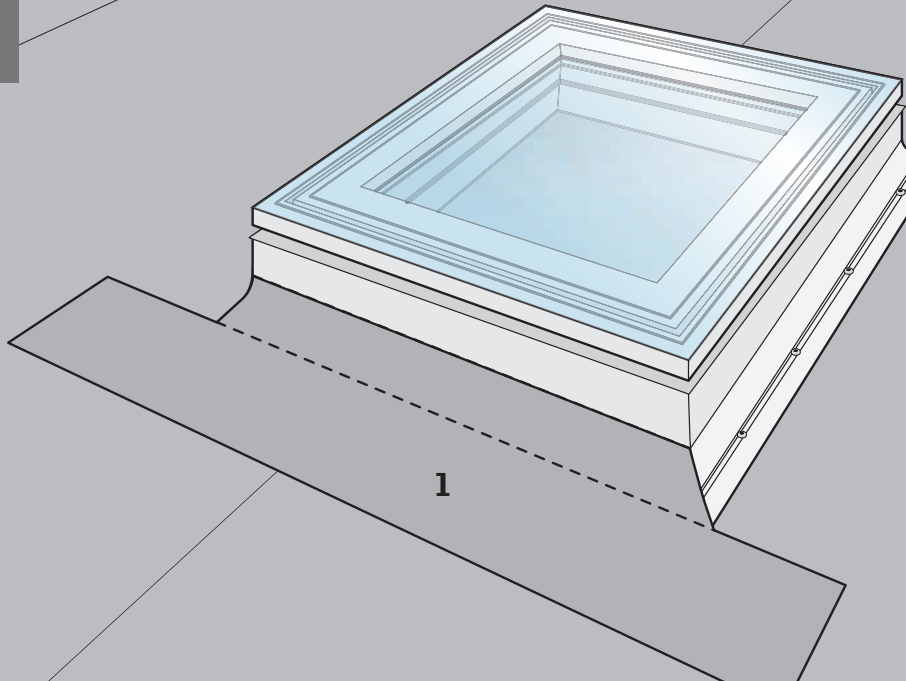
5



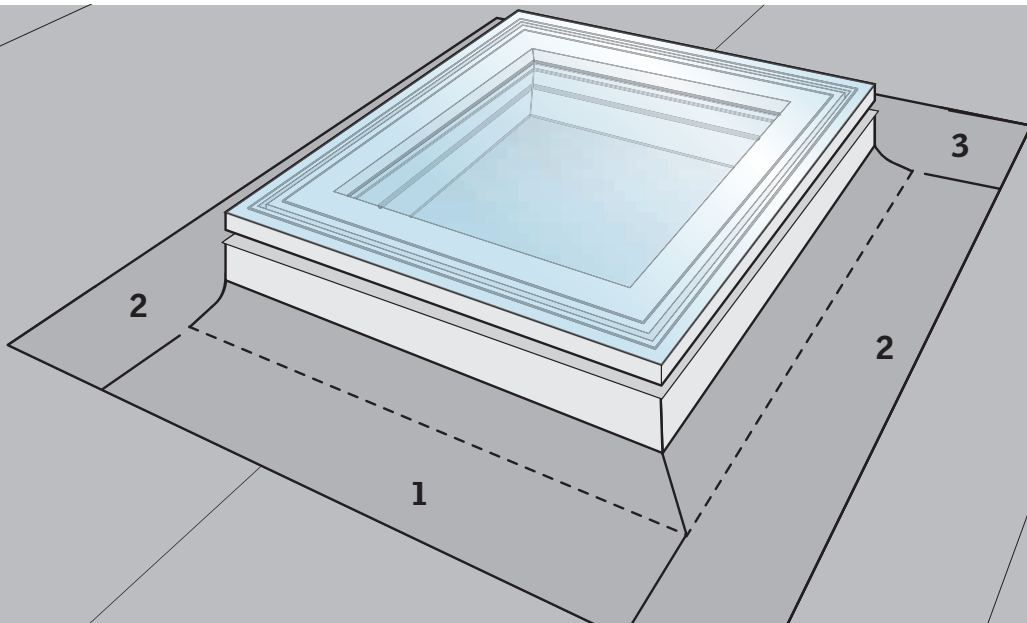
6



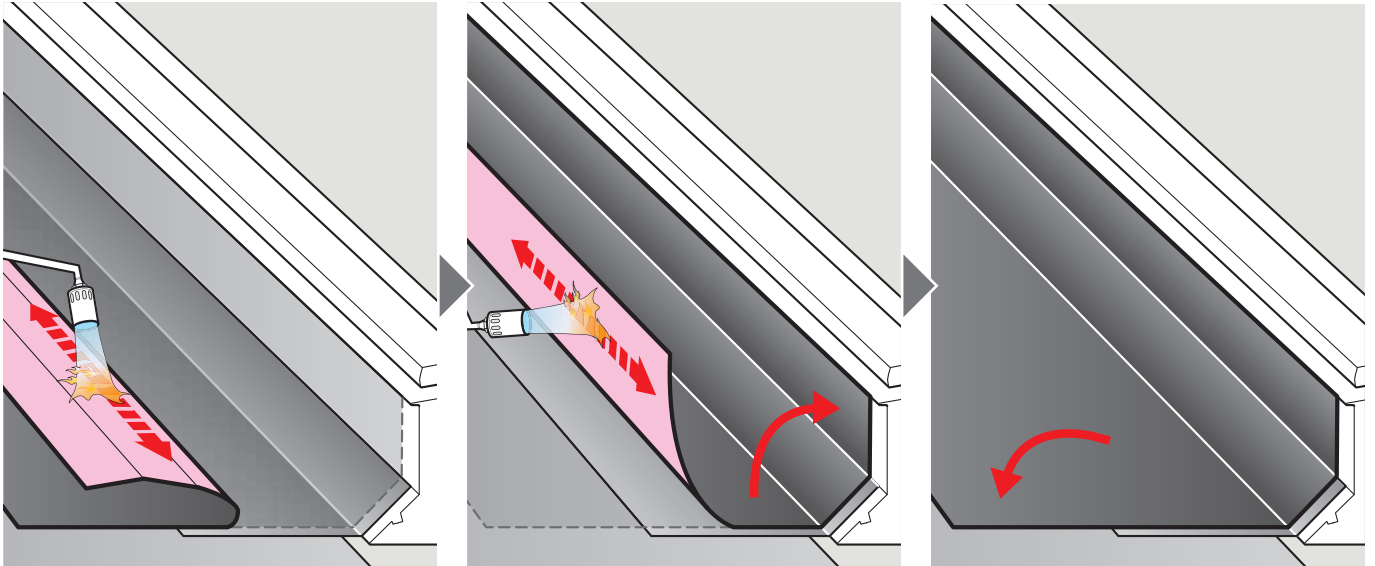
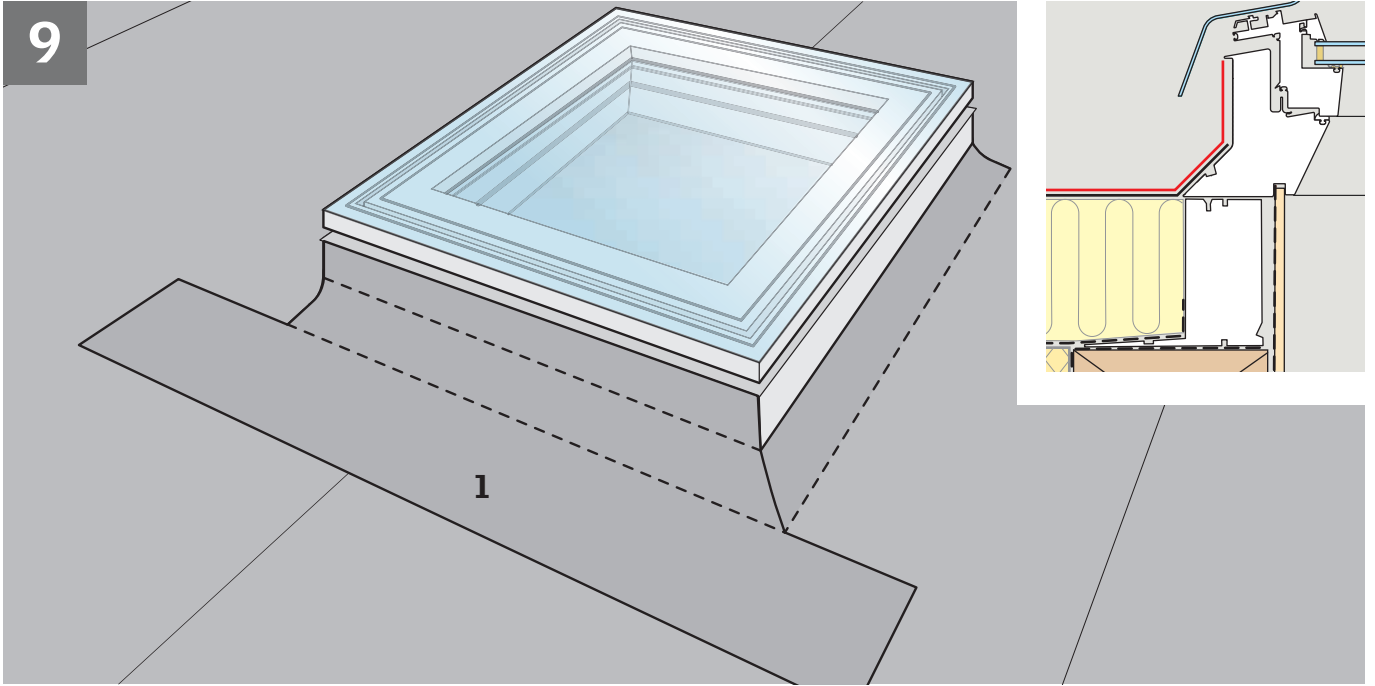
7



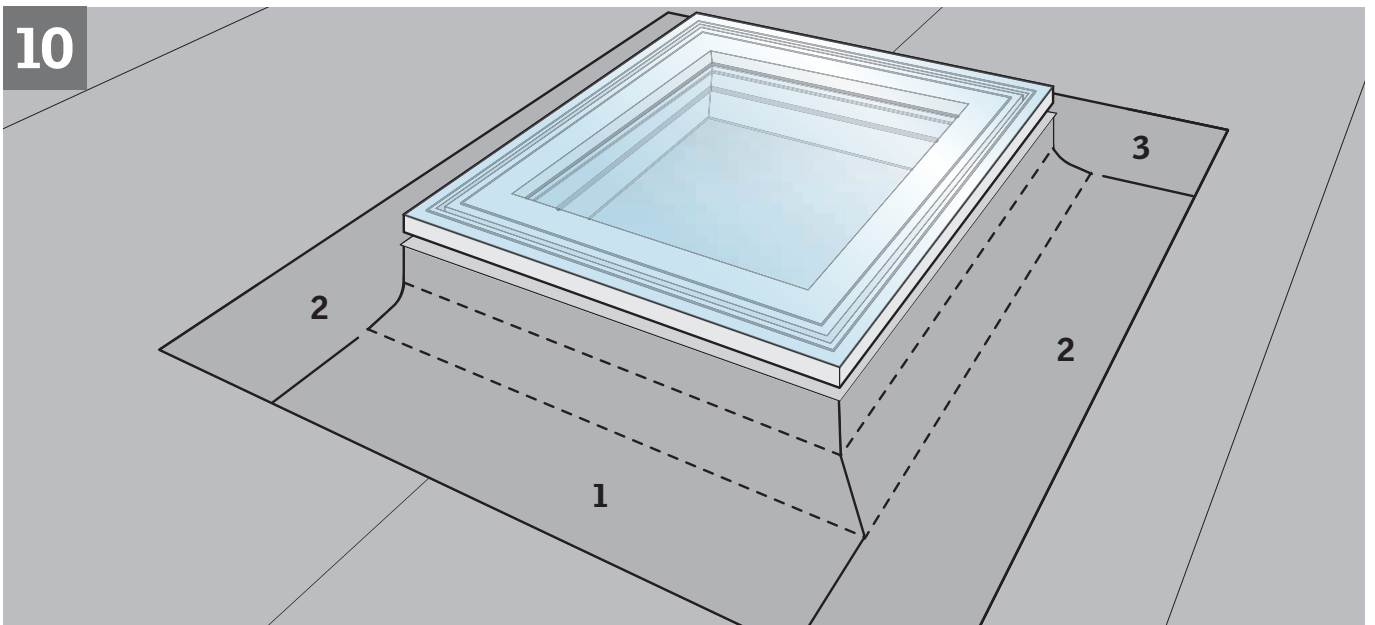
8



9

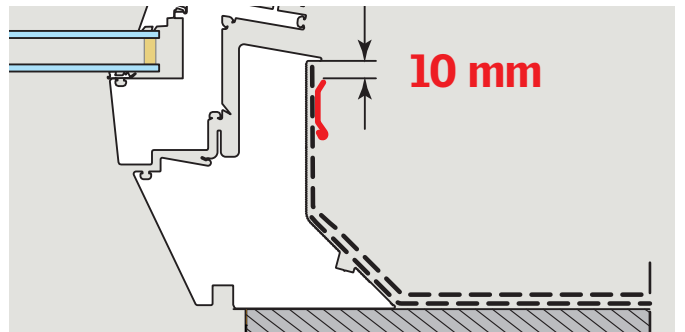
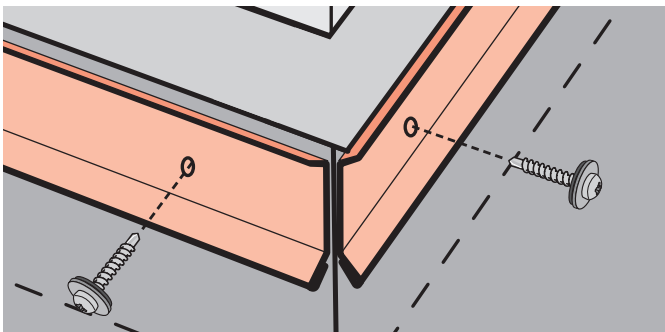
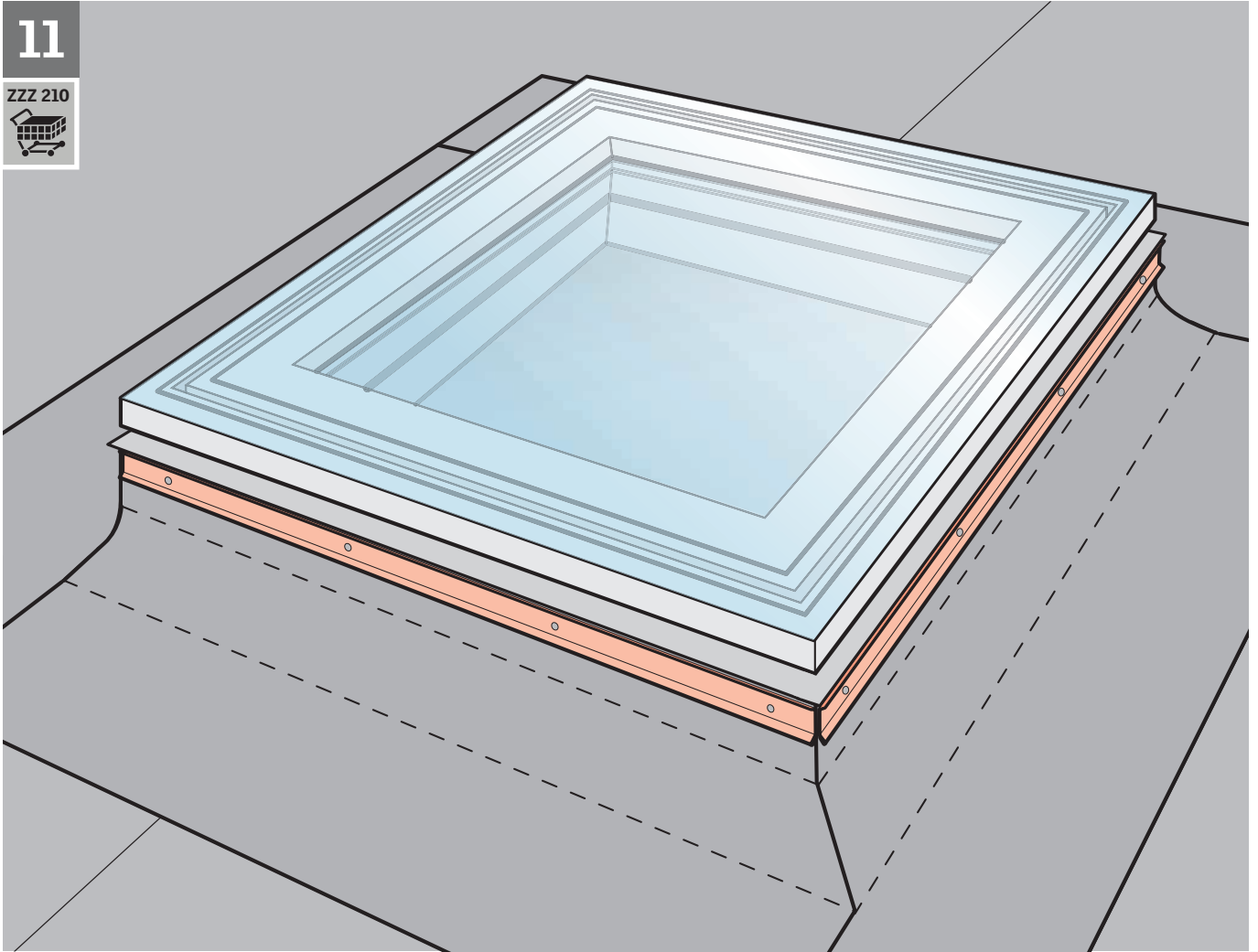


10

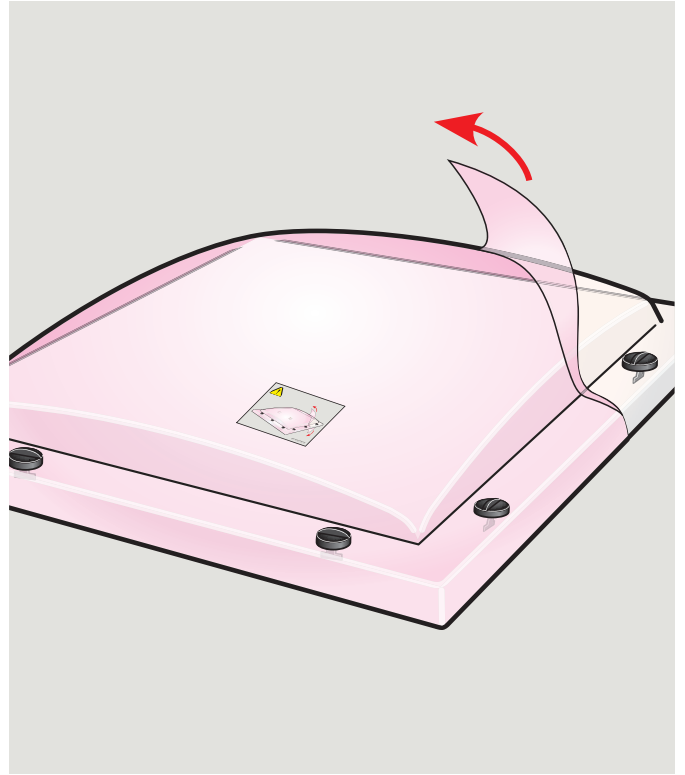
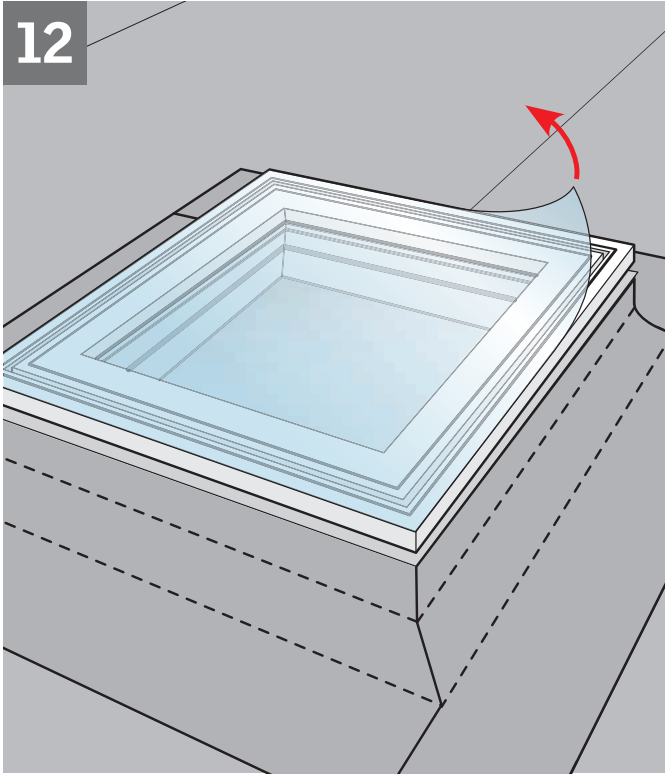


11

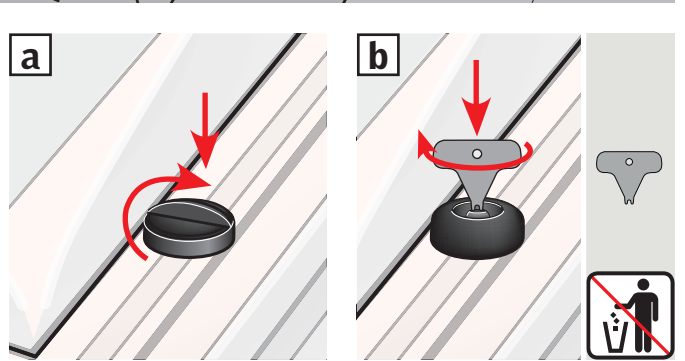
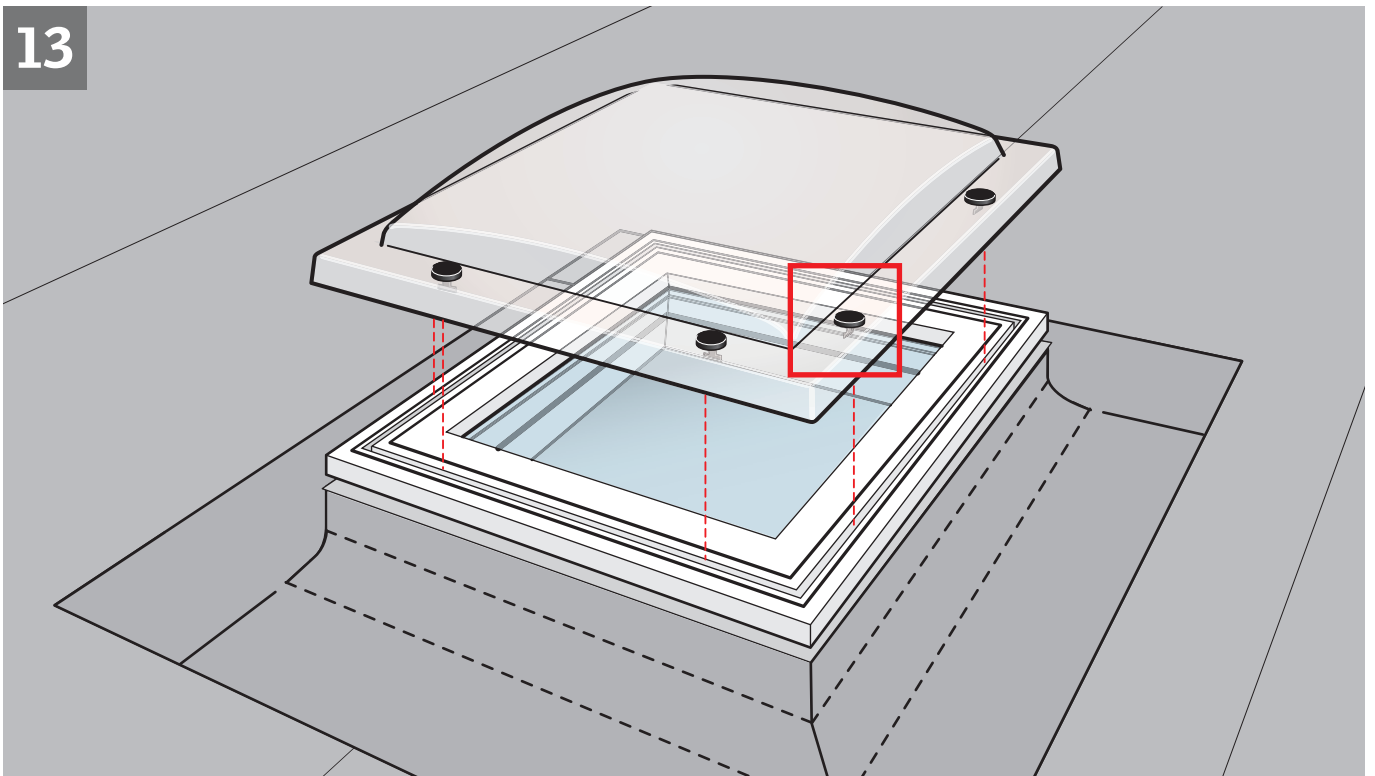
ZZZ 210

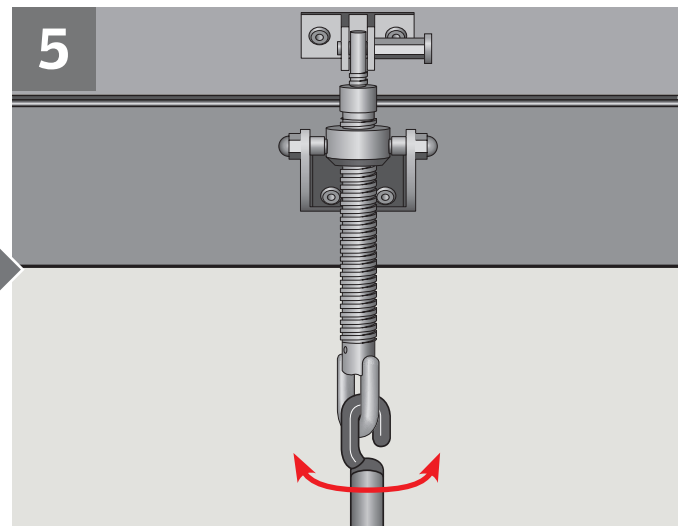
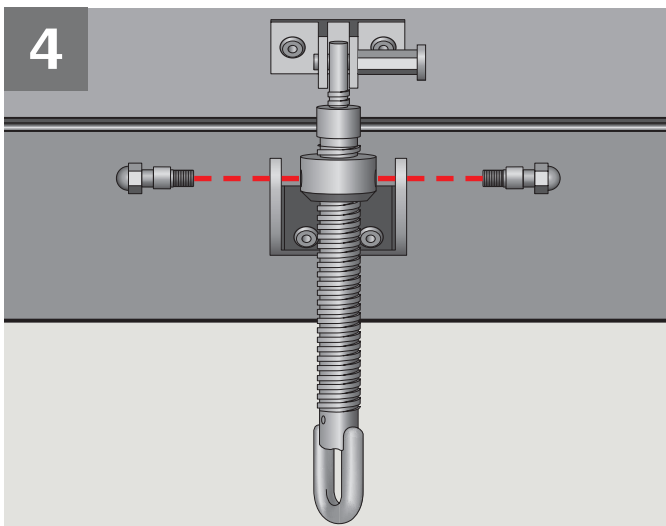
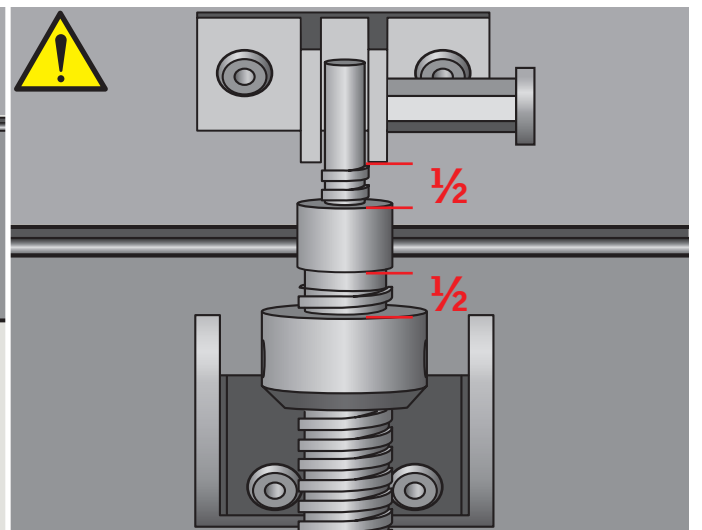
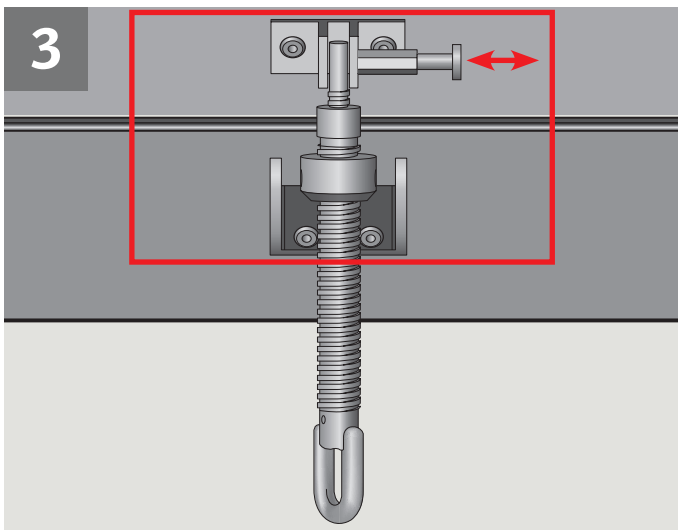
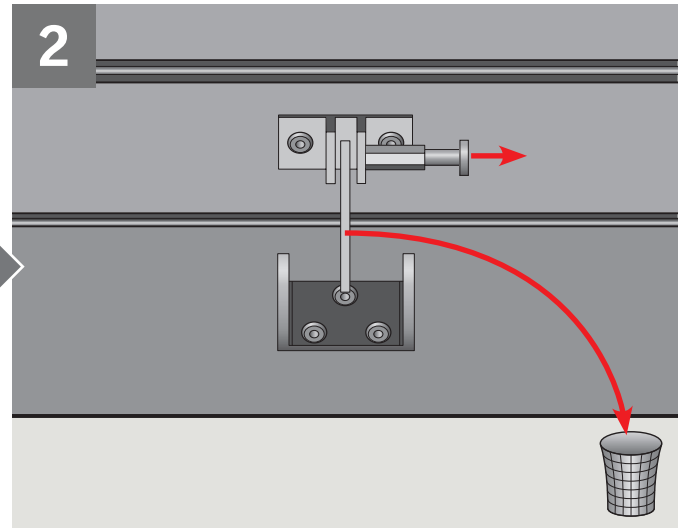
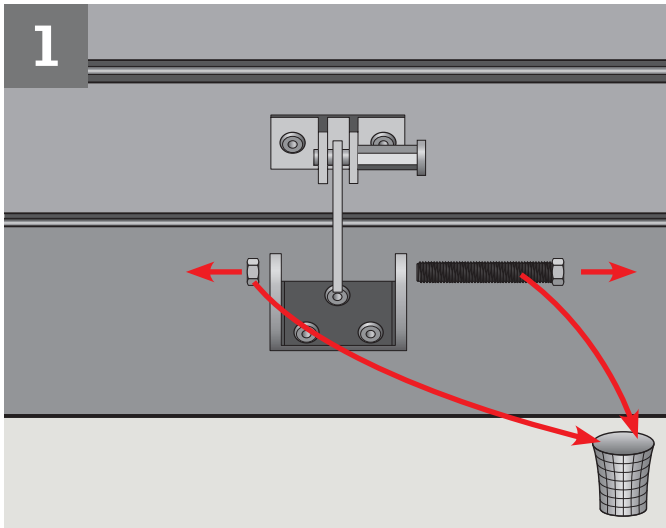
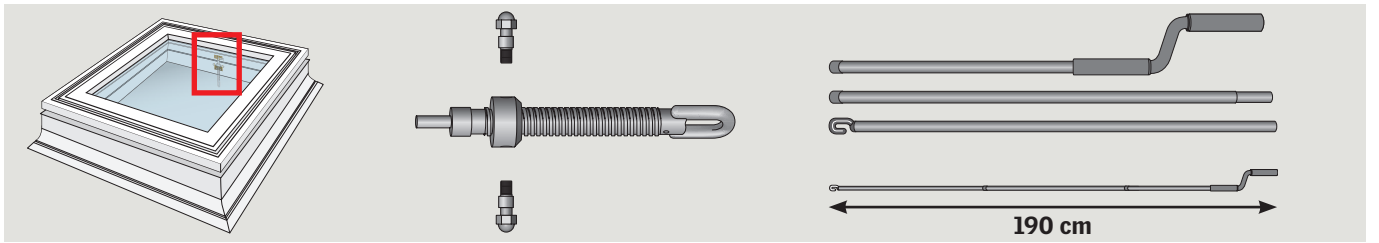


12



13





AR: VELUX Argentina S.A. 348 4 639944	DK: VELUX Danmark A/S 45 16 45 16	NO: VELUX Norge AS 22 51 06 00
AT: VELUX Österreich GmbH 02245/32 3 50	EE: VELUX Eesti OÜ 621 7790	NZ: VELUX New Zealand Ltd. 0800 650 445
AU: VELUX Australia Pty. Ltd. 1300 859 856	ES: VELUX Spain, S.A. 91 509 71 00	PL: VELUX Polska Sp. z o.o. (022) 33 77 000 / 33 77 070
BA: VELUX Bosna i Hercegovina d.o.o. 033/626 493, 626 494	FI: VELUX Suomi Oy 0207 290 800	PT: VELUX Portugal, Lda 21 880 00 60
BE: VELUX Belgium (010) 42.09.09	FR: VELUX France 0821 02 15 15 0,119€ TTC/min	RO: VELUX România S.R.L. 0-8008-83589
BG: ВЕЛУКС България ЕООД 02/955 99 30	GB: VELUX Company Ltd. 01592 778 225	RS: VELUX Srbija d.o.o. 011 20 57 500
BY: Унитарное предприятие "ВЕЛЮКС Мансардные Окна" (017) 329 20 89	HR: VELUX Hrvatska d.o.o. 01/5555 444	RU: ЗАО ВЕЛЮКС (495) 640 87 20
CA: VELUX Canada Inc. 1 800 88-VELUX (888-3589)	HU: VELUX Magyarország Kft. (06/1) 436-0601	SE: VELUX Svenska AB 042/20 83 80
CH: VELUX Schweiz AG 062 289 44 45	IE: VELUX Company Ltd. 01 848 8775	SI: VELUX Slovenija d.o.o. 01 724 68 68
CL: VELUX Chile Limitada 2 953 6789	IT: VELUX Italia s.p.a. 045/6173666	SK: VELUX Slovensko, s.r.o. (02) 33 000 555
CN: VELUX (CHINA) CO. LTD. 0316-607 27 27	JP: VELUX-Japan Ltd. 0570-00-8145	TR: VELUX Çatı Pencereleri Ticaret Limited Şirketi 0 216 302 54 10
CZ: VELUX Česká republika, s.r.o. 531 015 511	LT: VELUX Lietuva, UAB (85) 270 91 01	UA: ТОВ "ВЕЛЮКС Україна" (044) 2916070
DE: VELUX Deutschland GmbH 01806 / 33 33 99 Festnetz: 0,20 €/Anruf Mobilfunk: max. 0,60 €/Anruf	LV: VELUX Latvia SIA 67 27 77 33	US: VELUX America LLC 1-800-88-VELUX
	NL: VELUX Nederland B.V. 030 - 6 629 629	