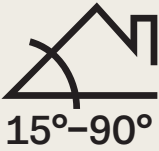
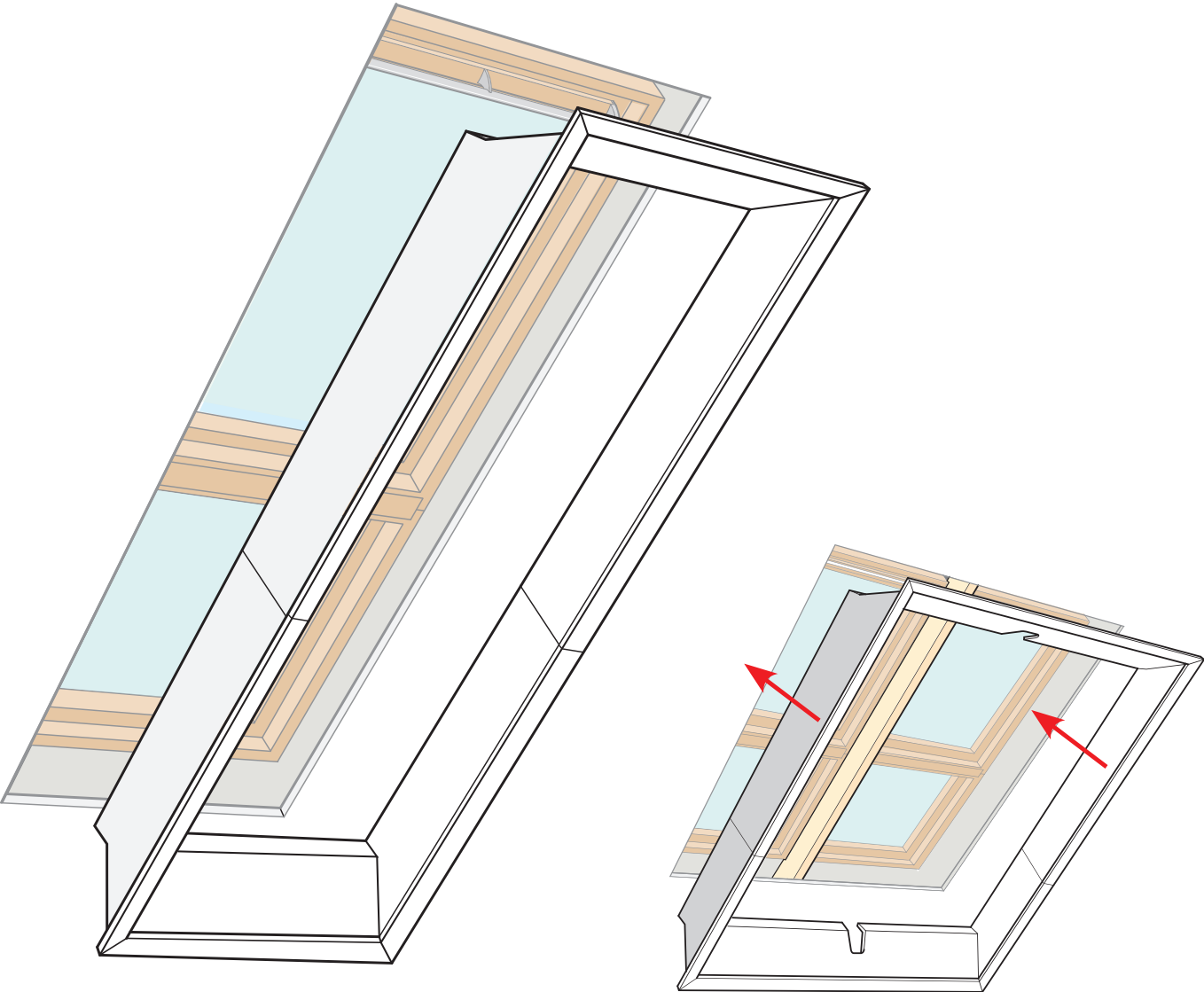


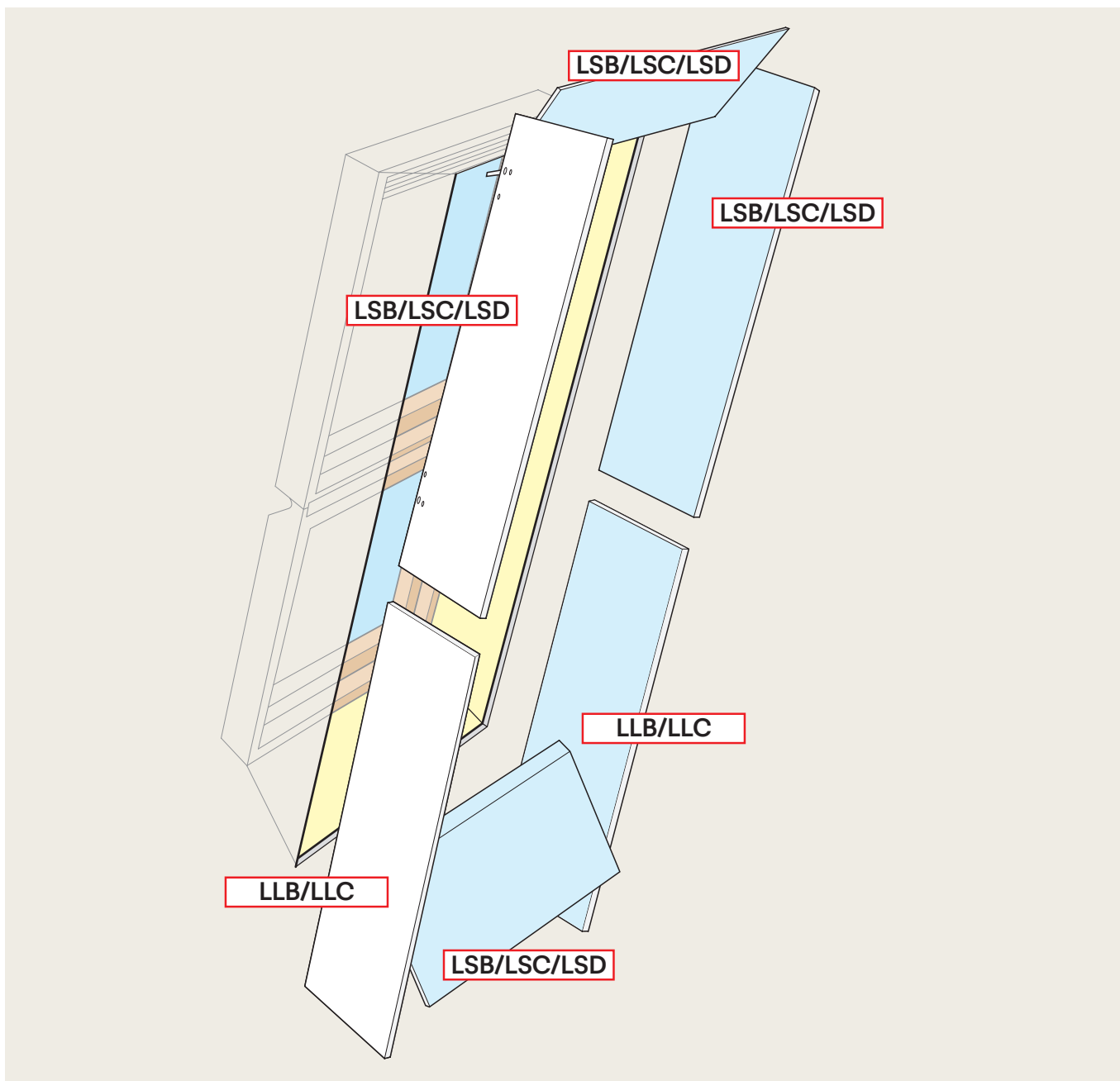
# LLB/LLC



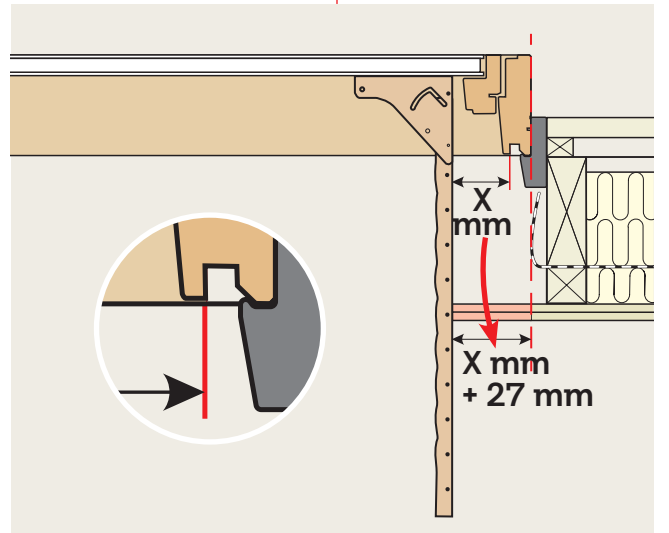
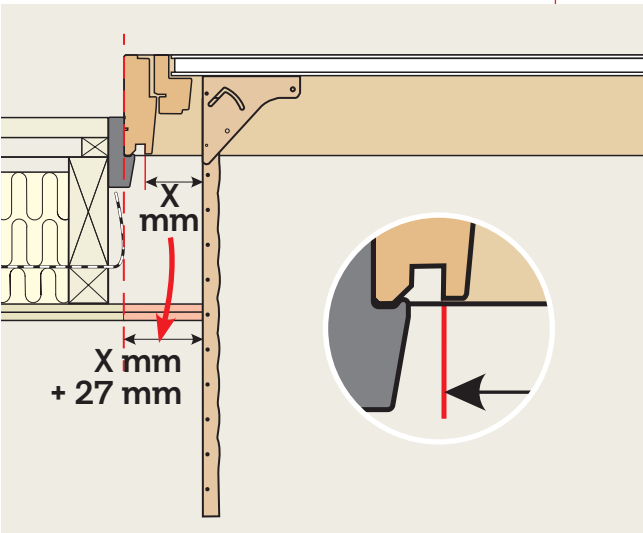
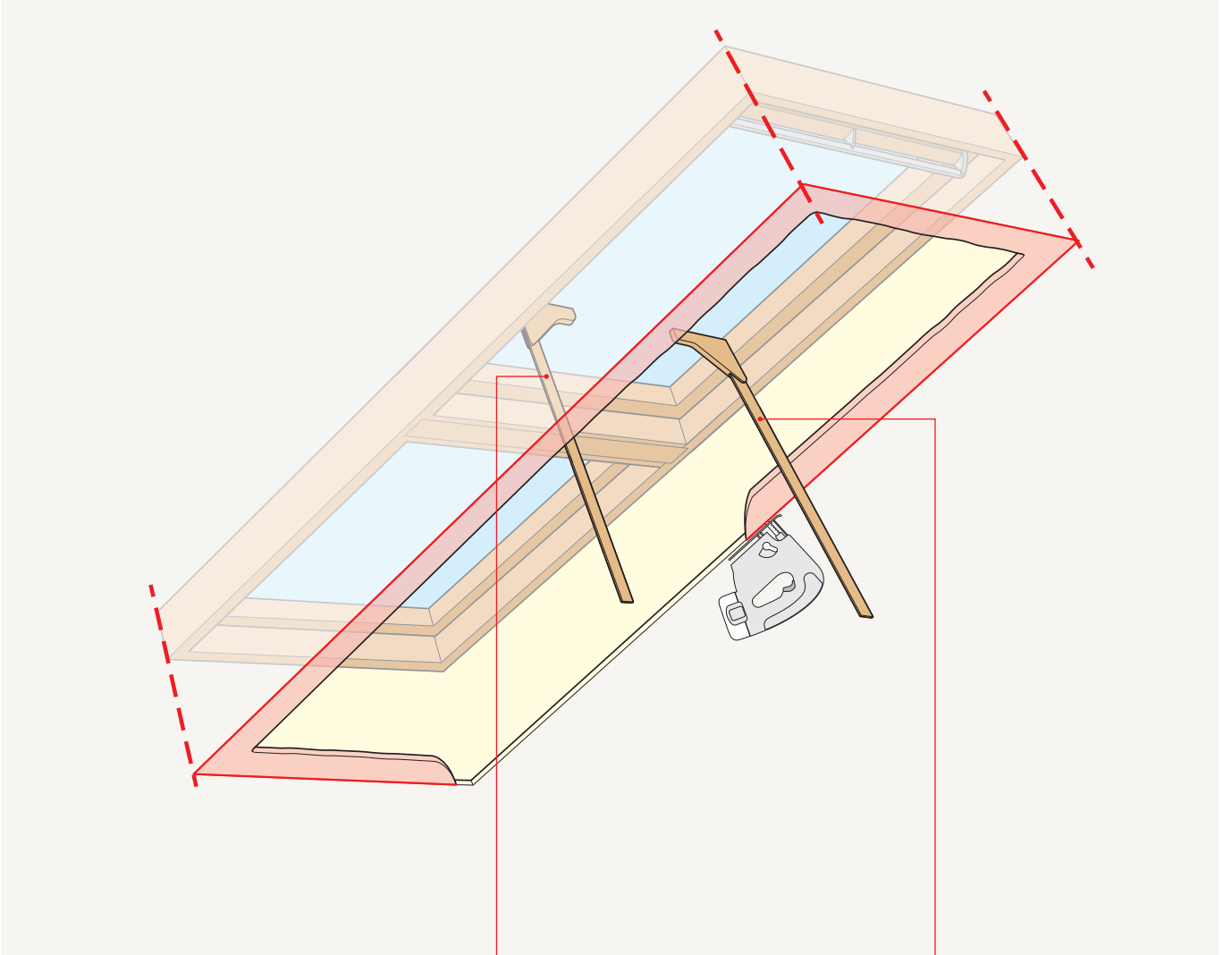
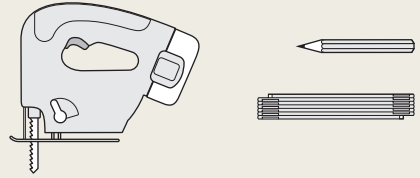


<b>CE</b> 13	
EN 13245-2:2008 Notified body: 1378	
LS-	
PVC-UE profile for the external wall/ceiling finishes	
Reaction to fire:	Class E
Dangerous substances:	NPD
Resistance to fixings:	NPD
Durability:	NPD
VELUX A/S Ådalsvej 99 DK-2970 Hørsholm www.velux.com/ce	

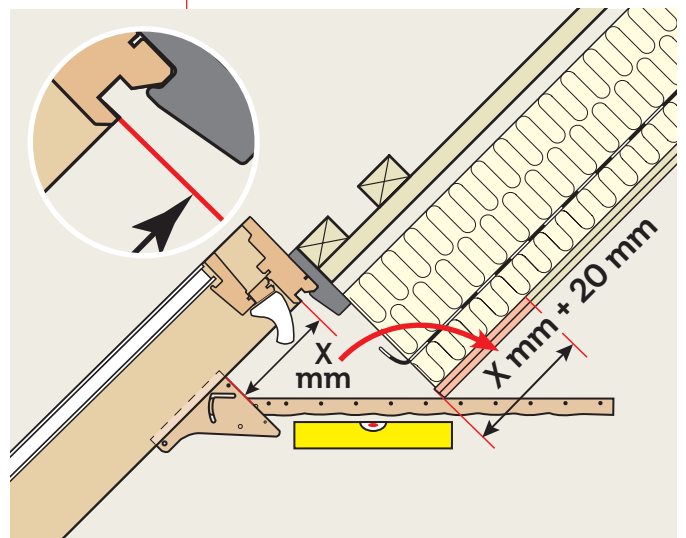
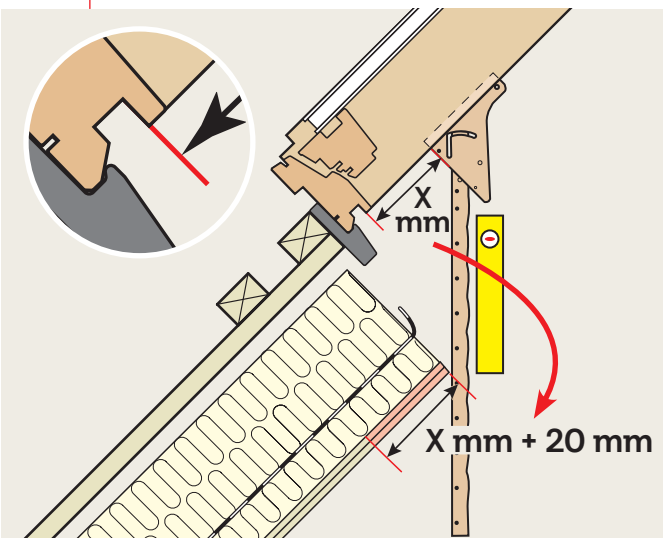
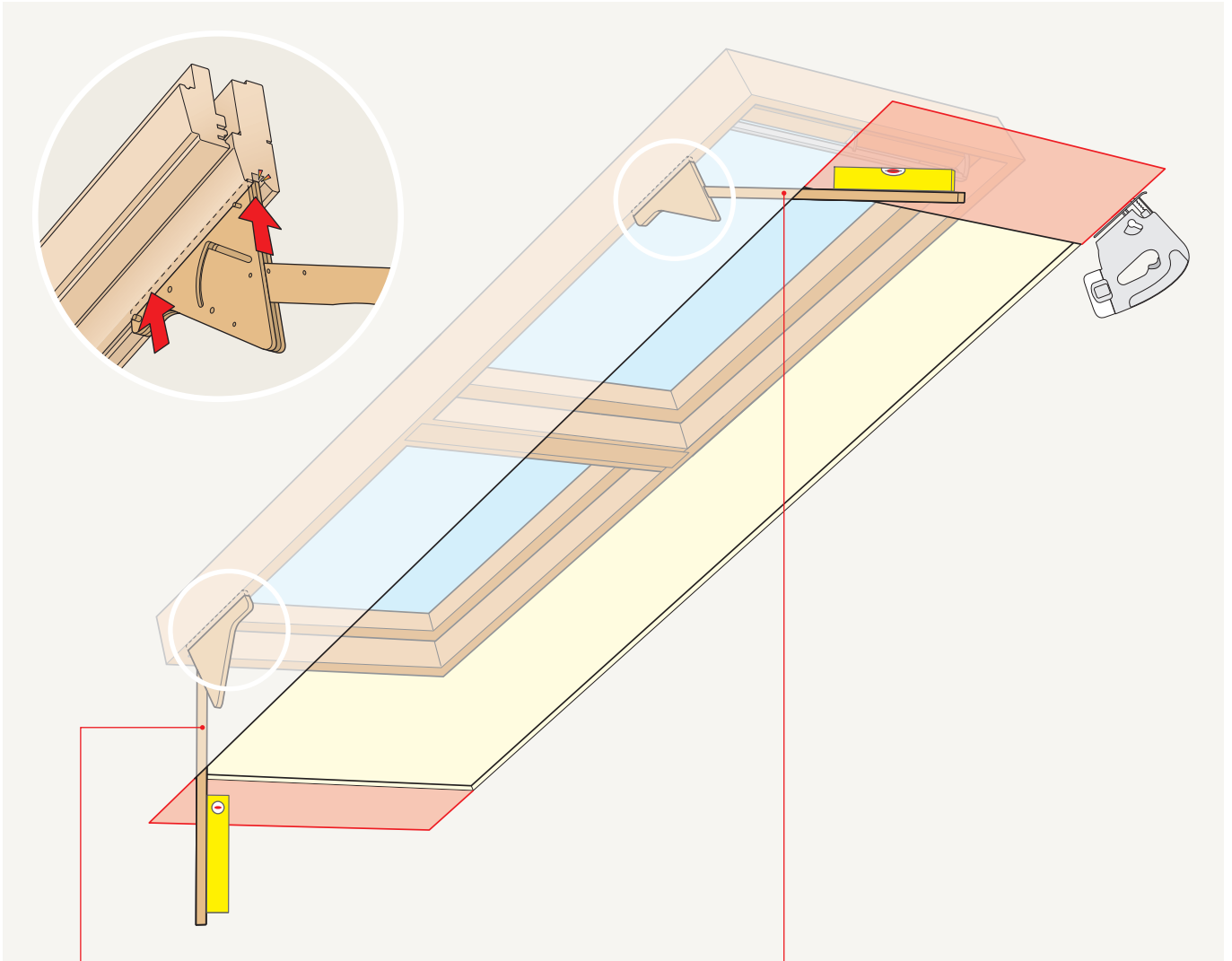
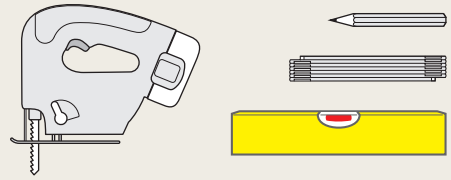
<b>CE</b> 13	
EN 13984:2013 Notified body: 0402, 0845	
BBX	
Flexible sheet for waterproofing	
Reaction to fire:	Class E
Tensile properties:	NPD
Tear resistance:	NPD
Joint strength:	NPD
Impact resistance:	NPD
Water vapour resistance:	4,4·10 <sup>11</sup> m <sup>2</sup> sPa/kg
Watertightness:	Pass
Durability:	NPD
VELUX A/S Ådalsvej 99 DK-2970 Hørsholm www.velux.com/ce	



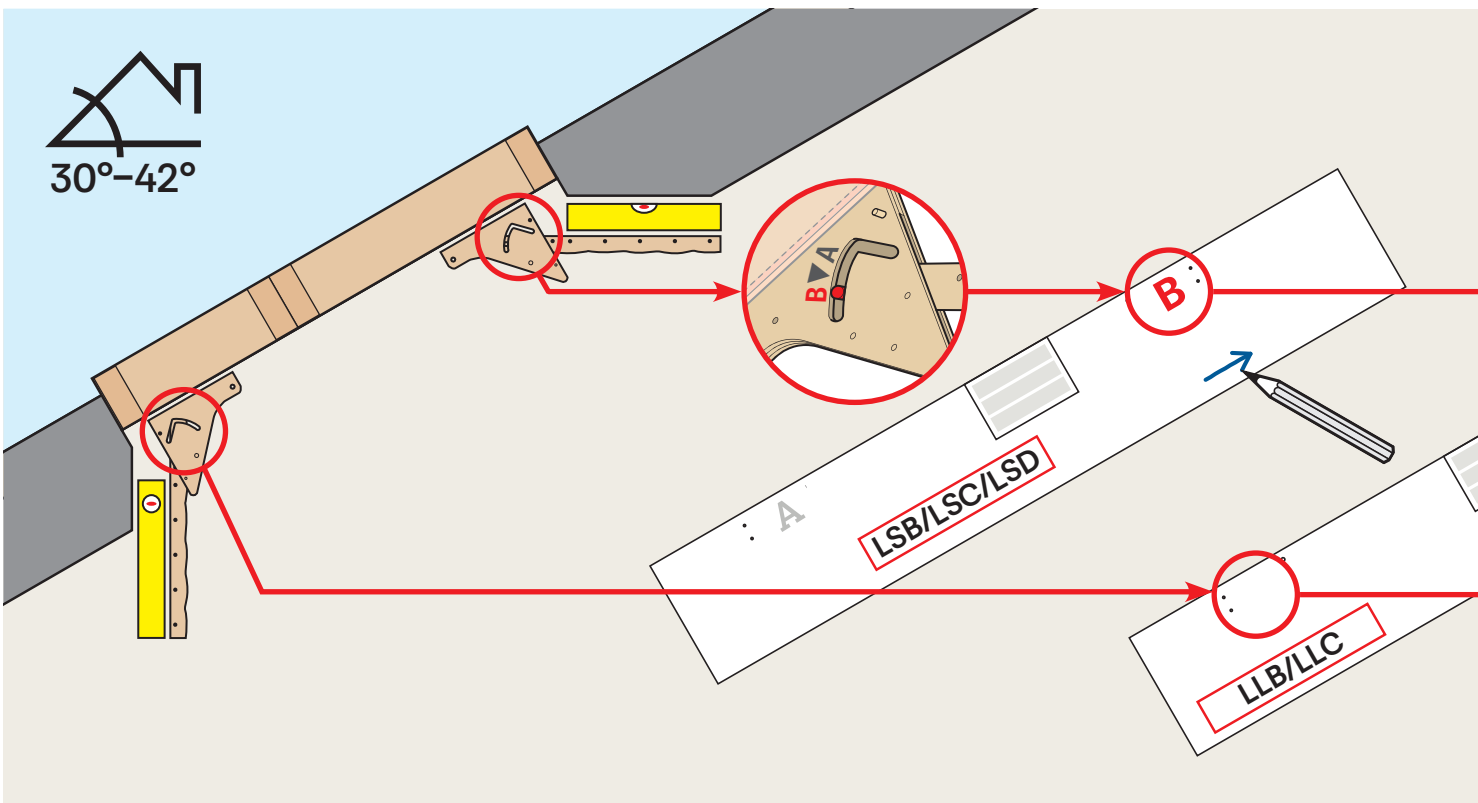
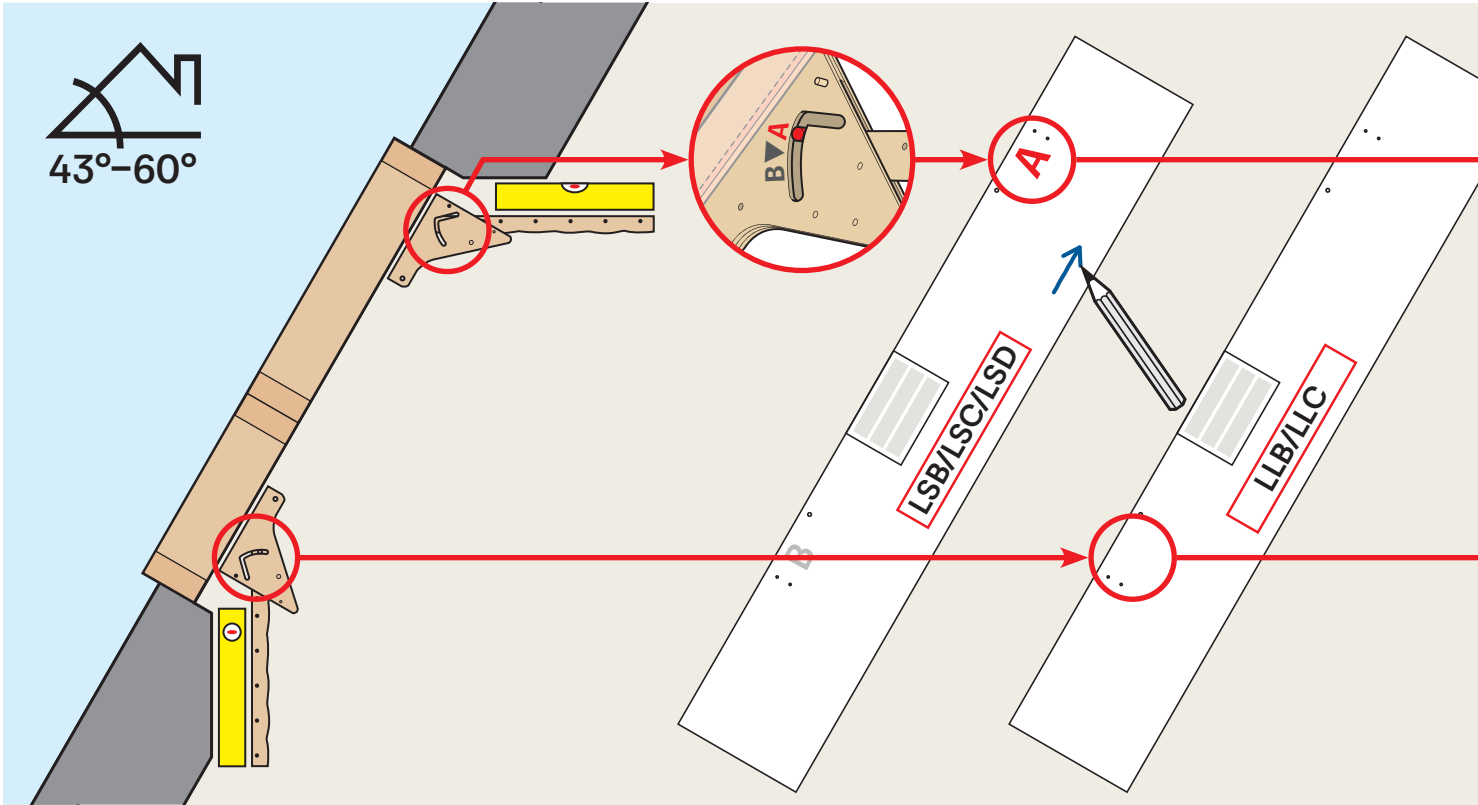
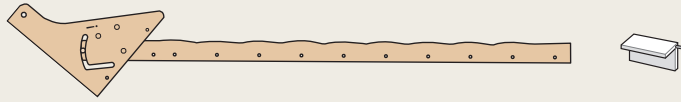
1

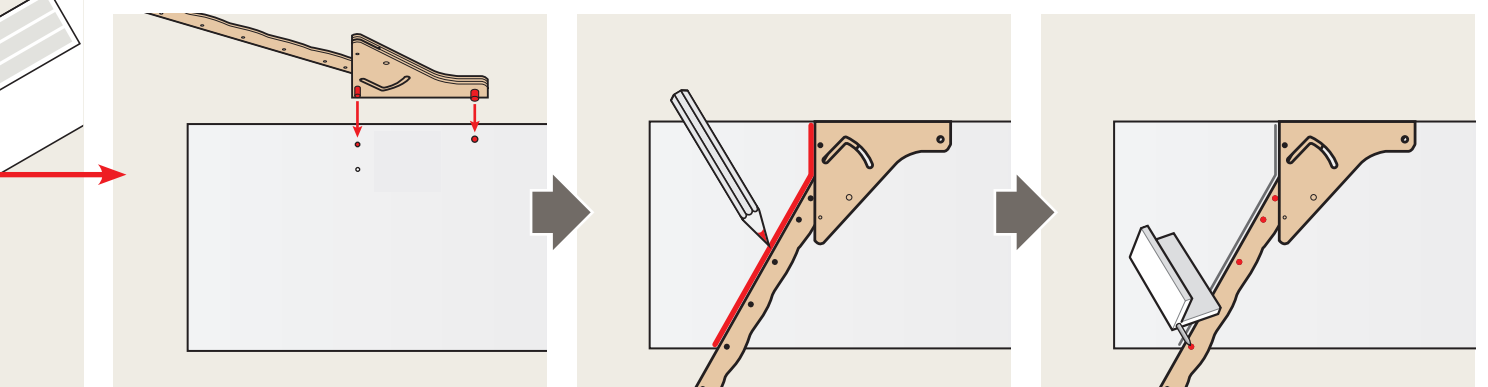
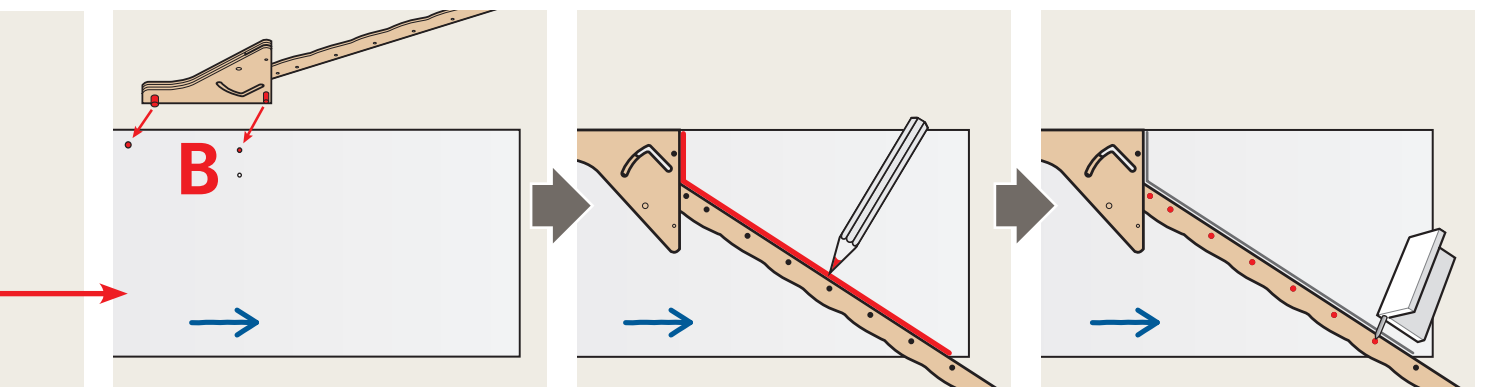
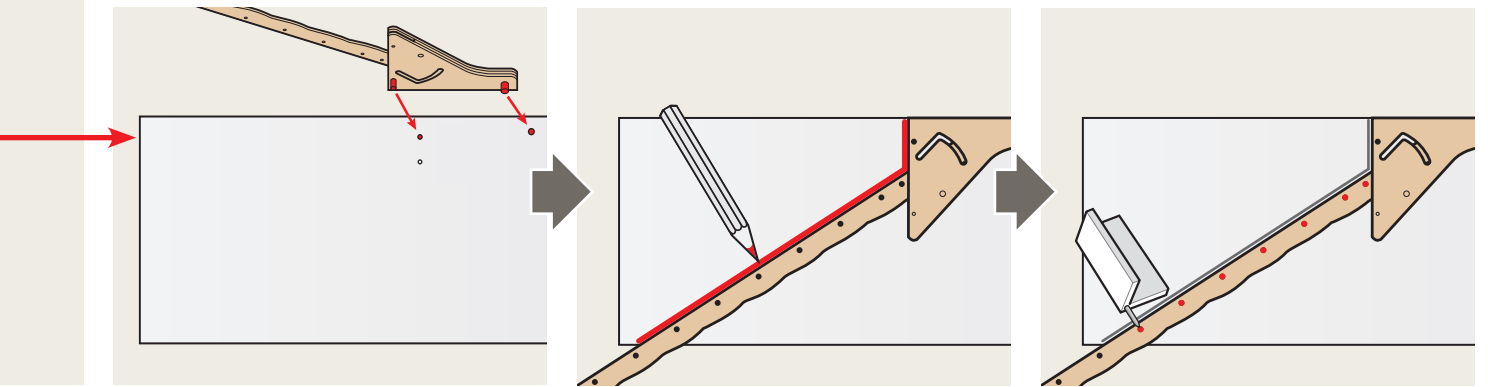
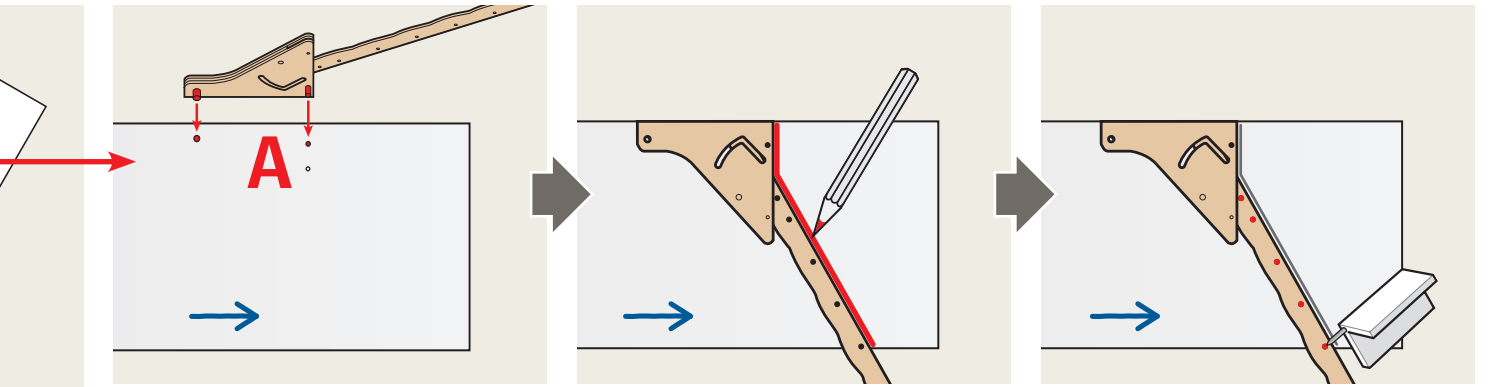
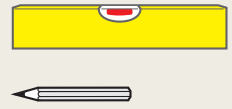


2

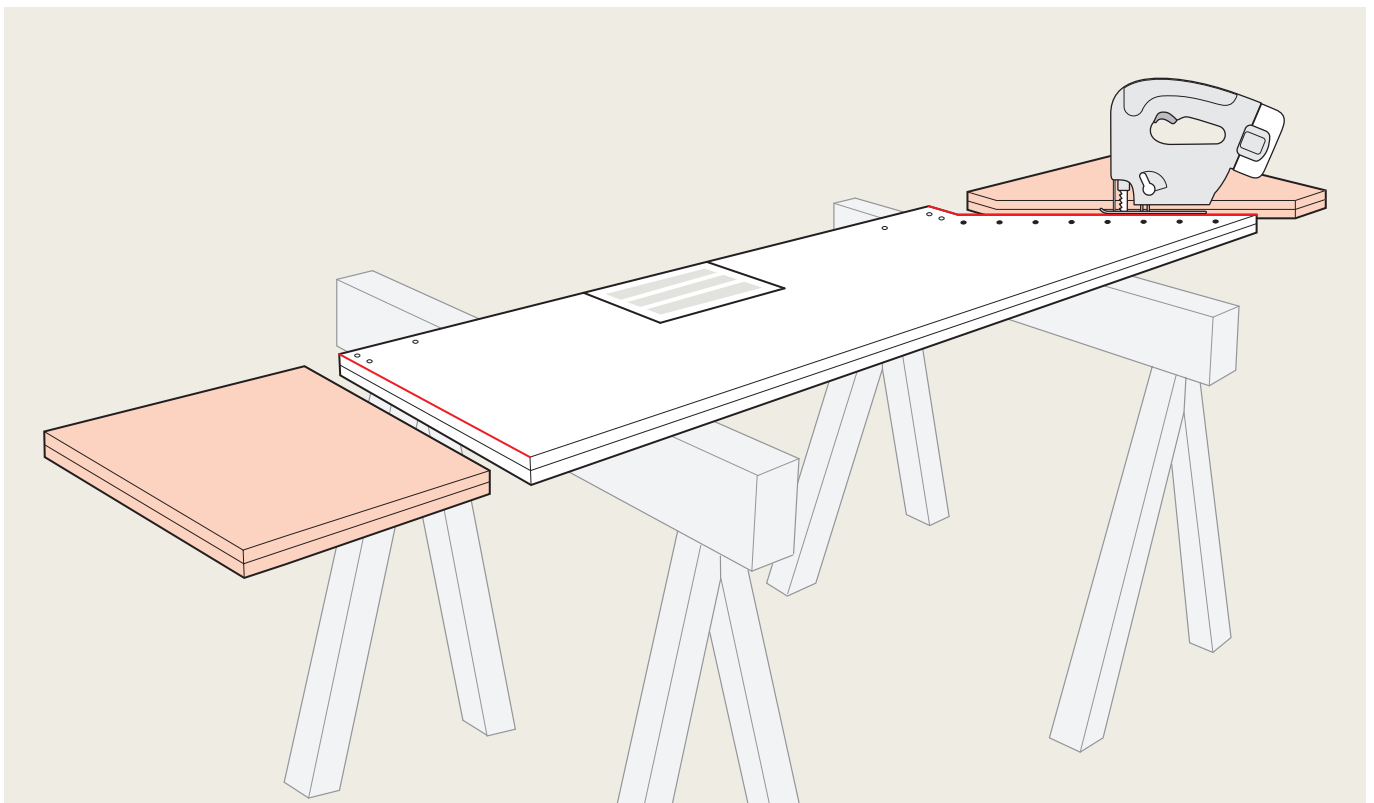
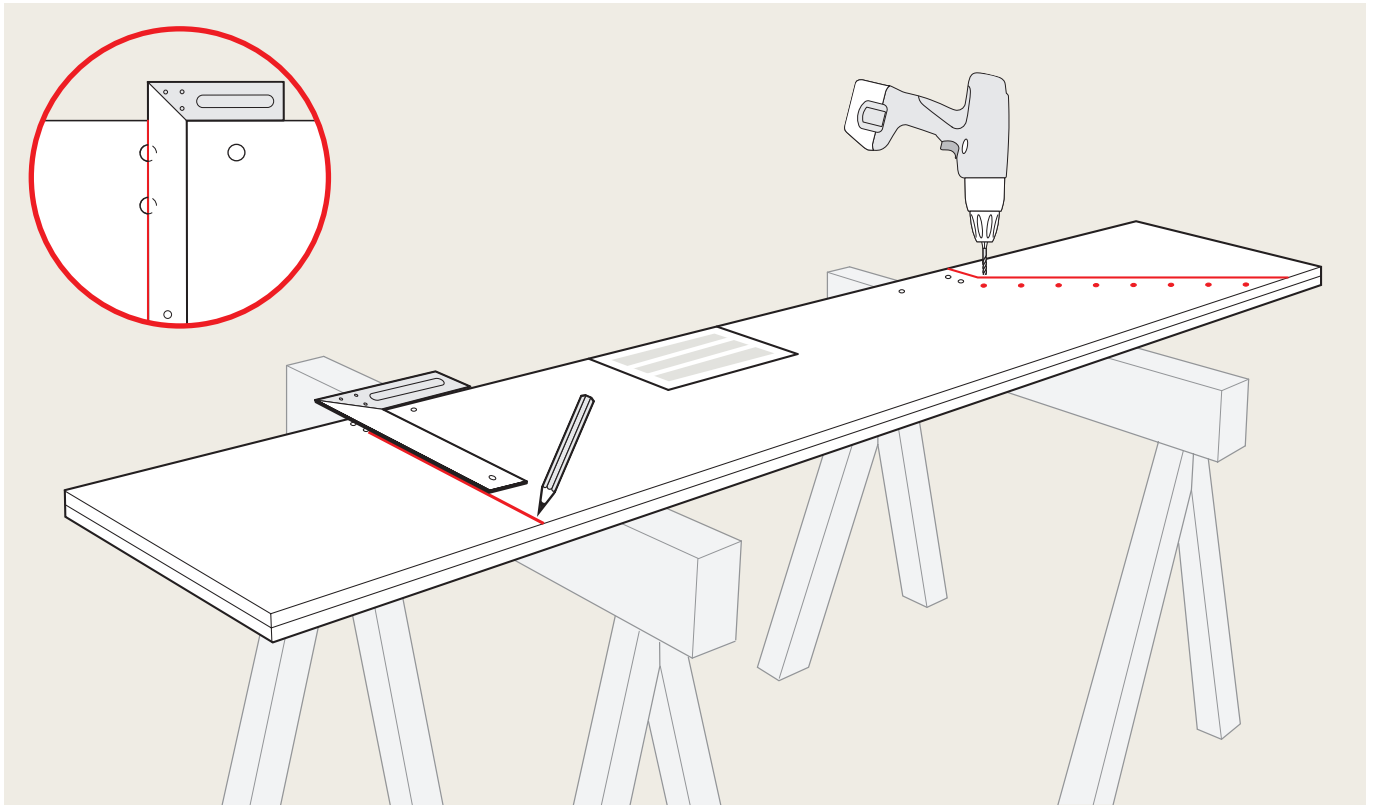
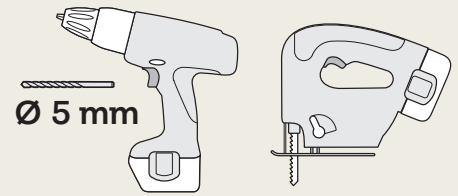


3

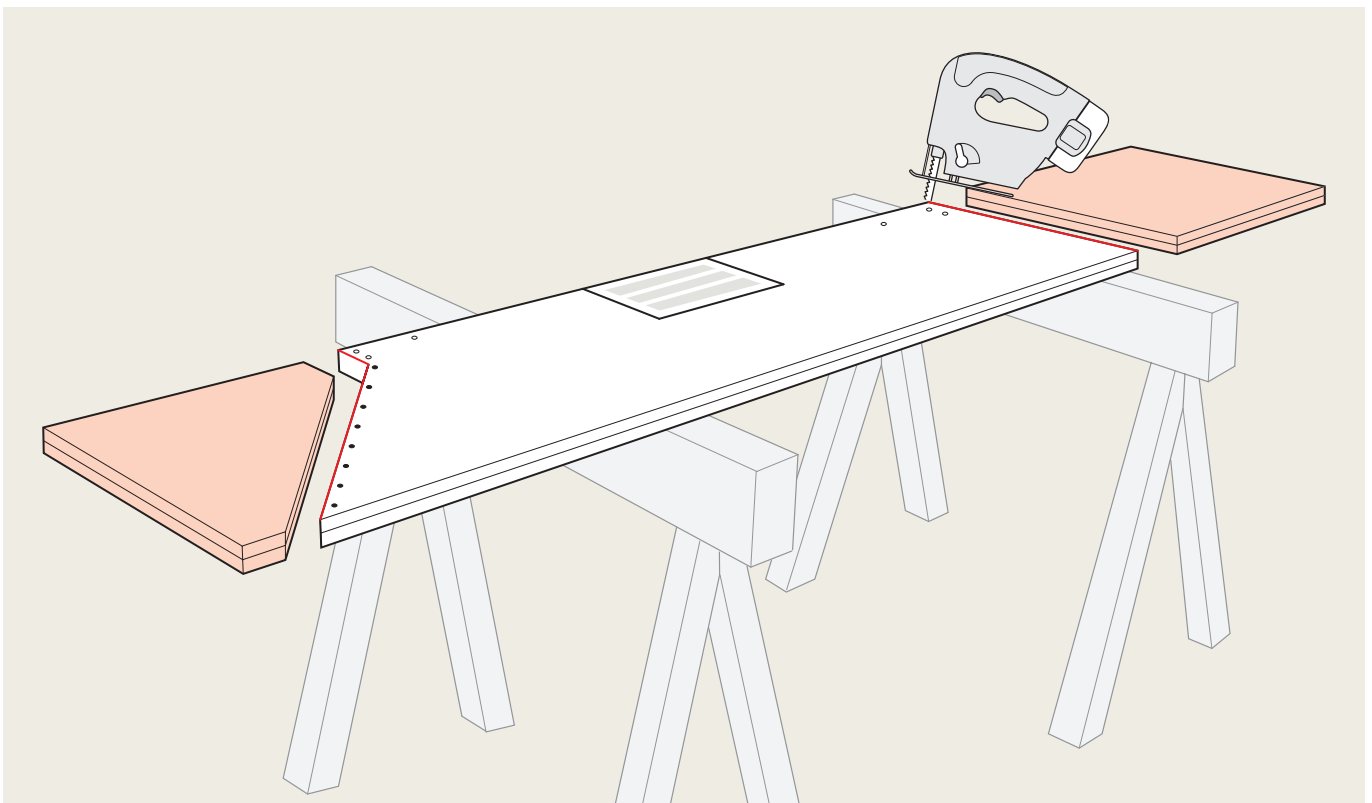
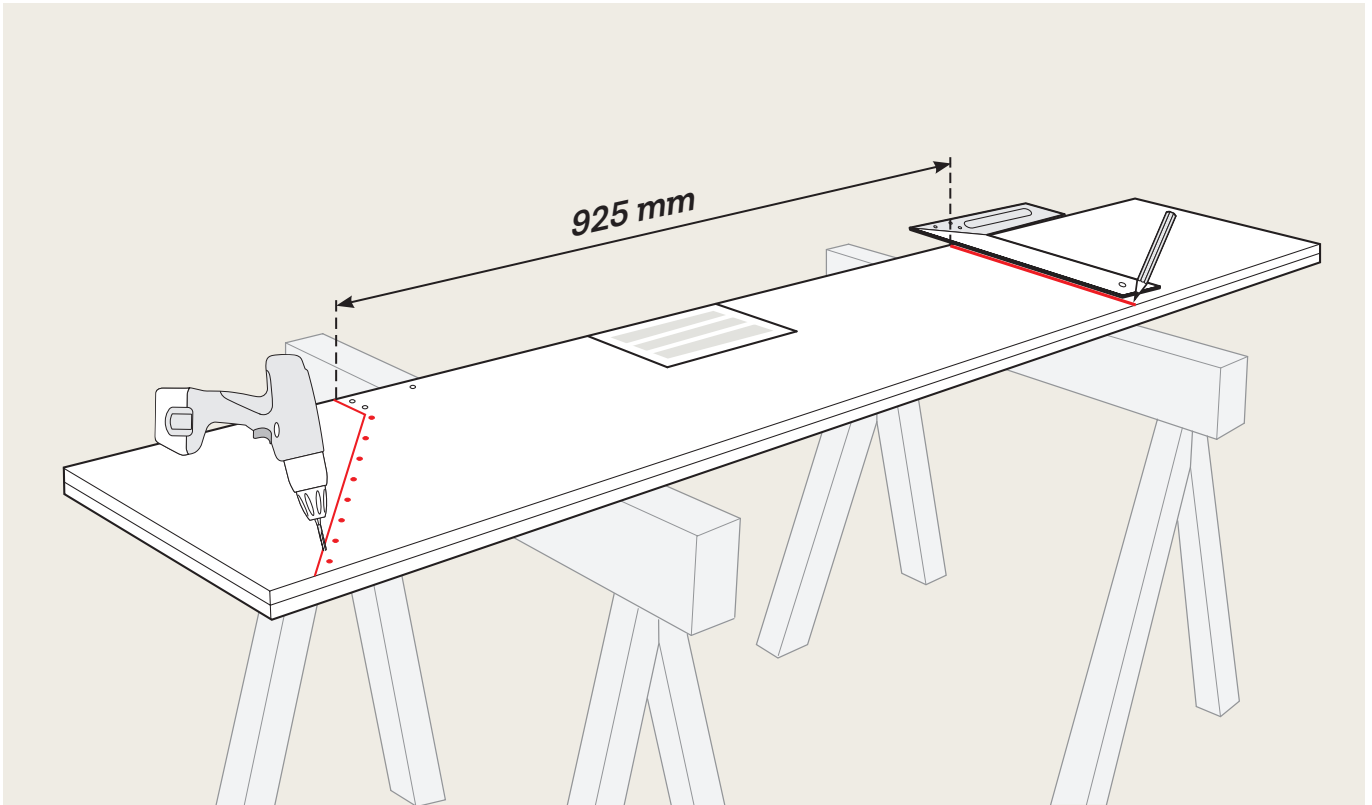
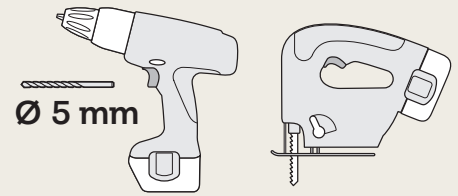




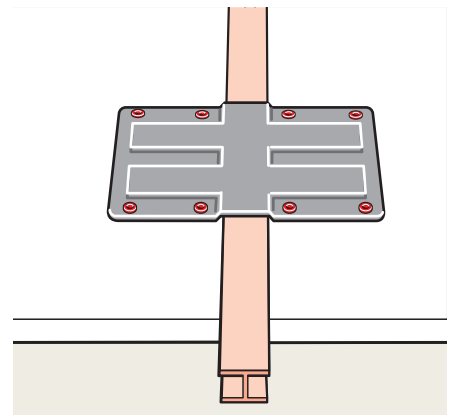
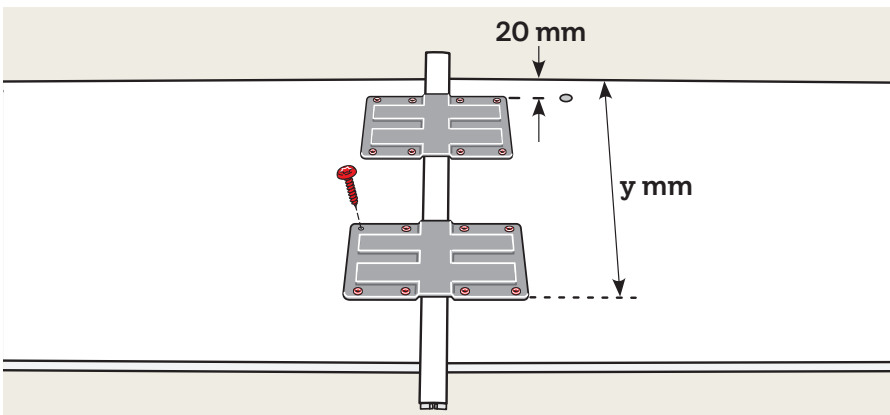
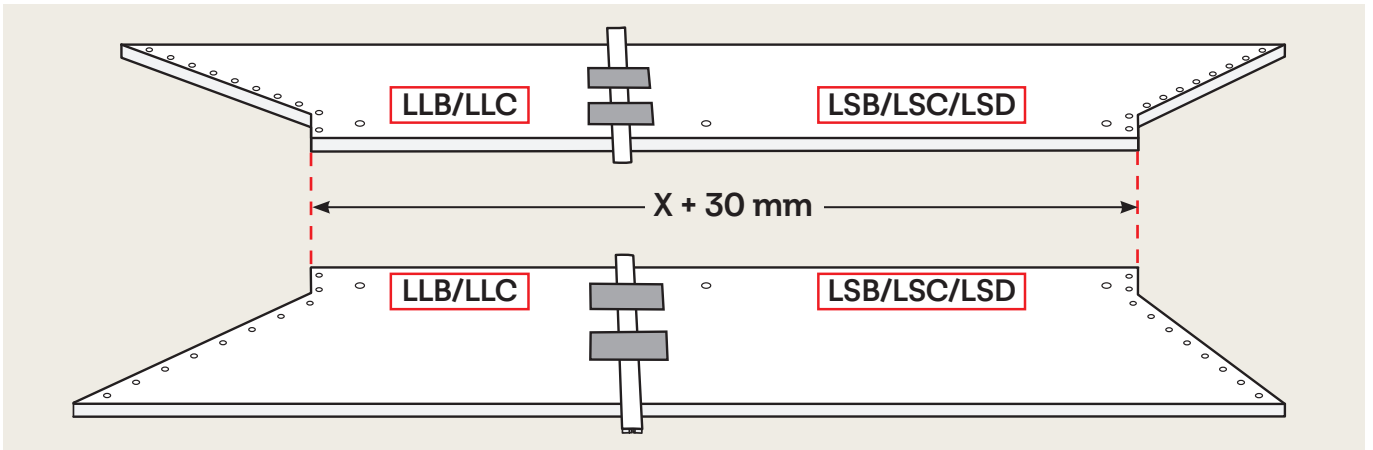
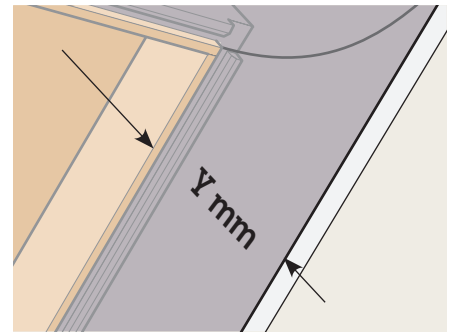
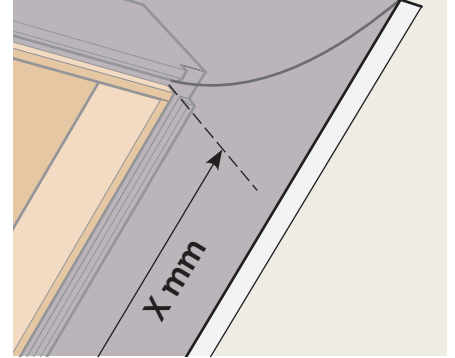
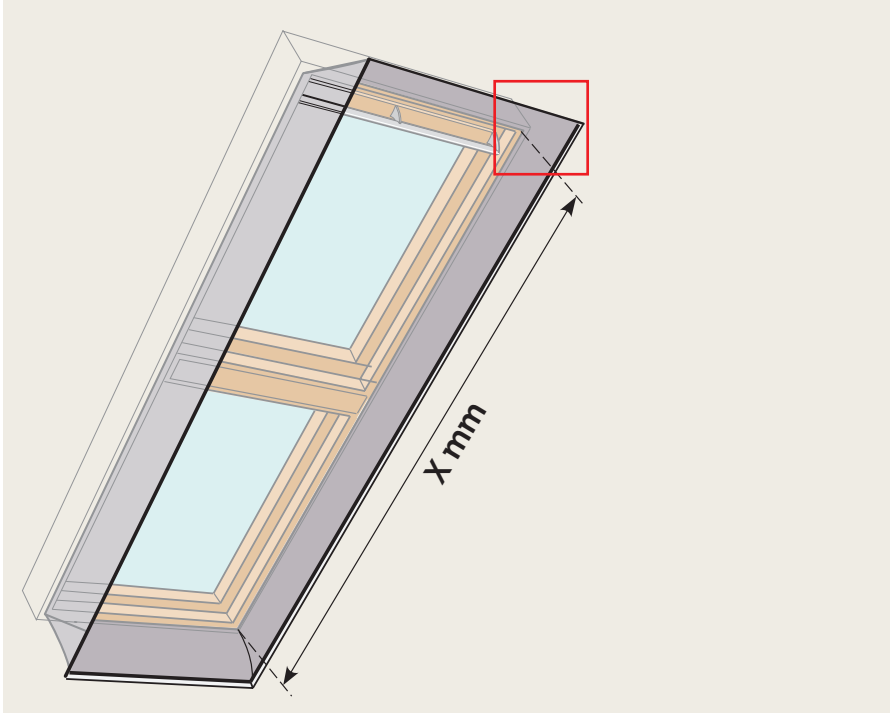
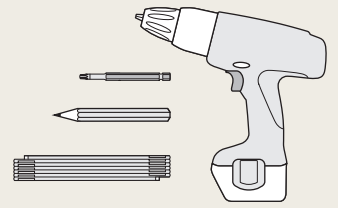
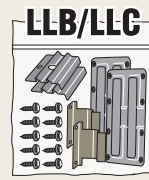
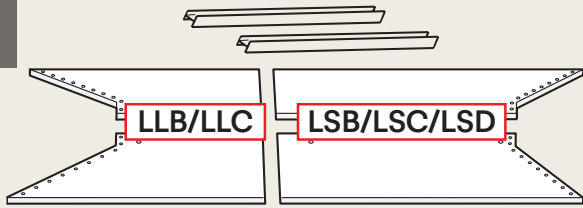
4



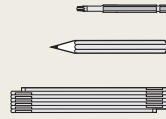
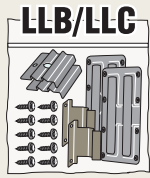
5



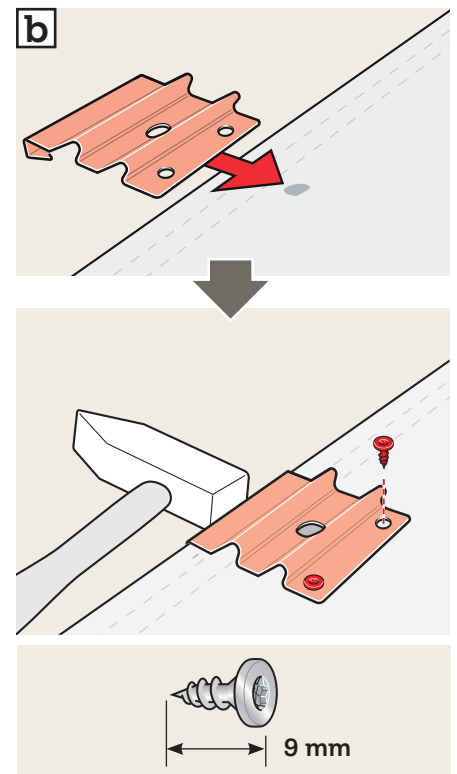
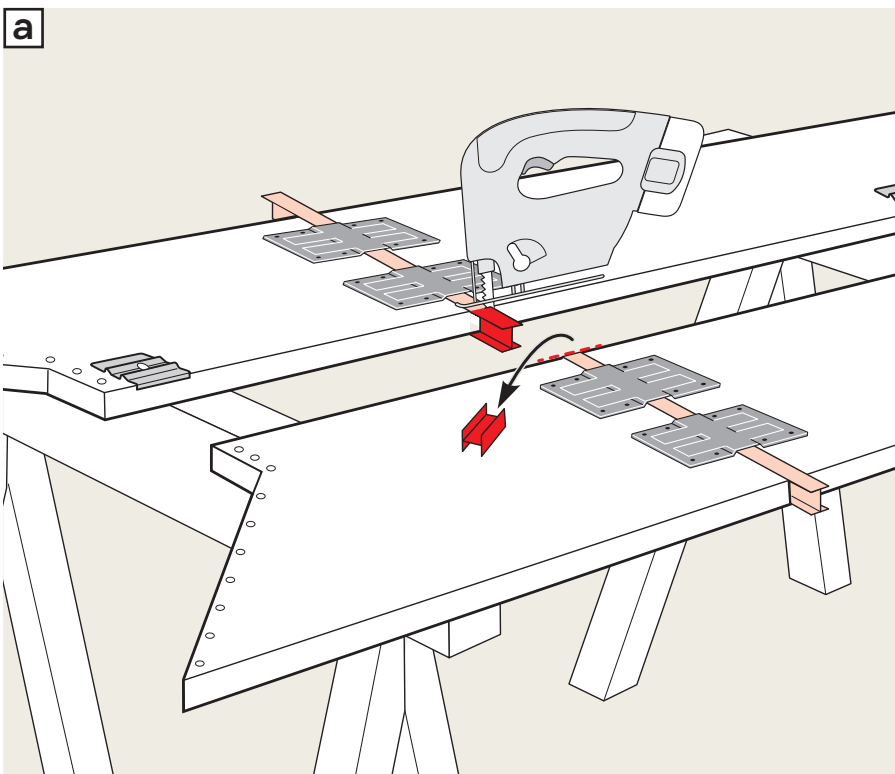
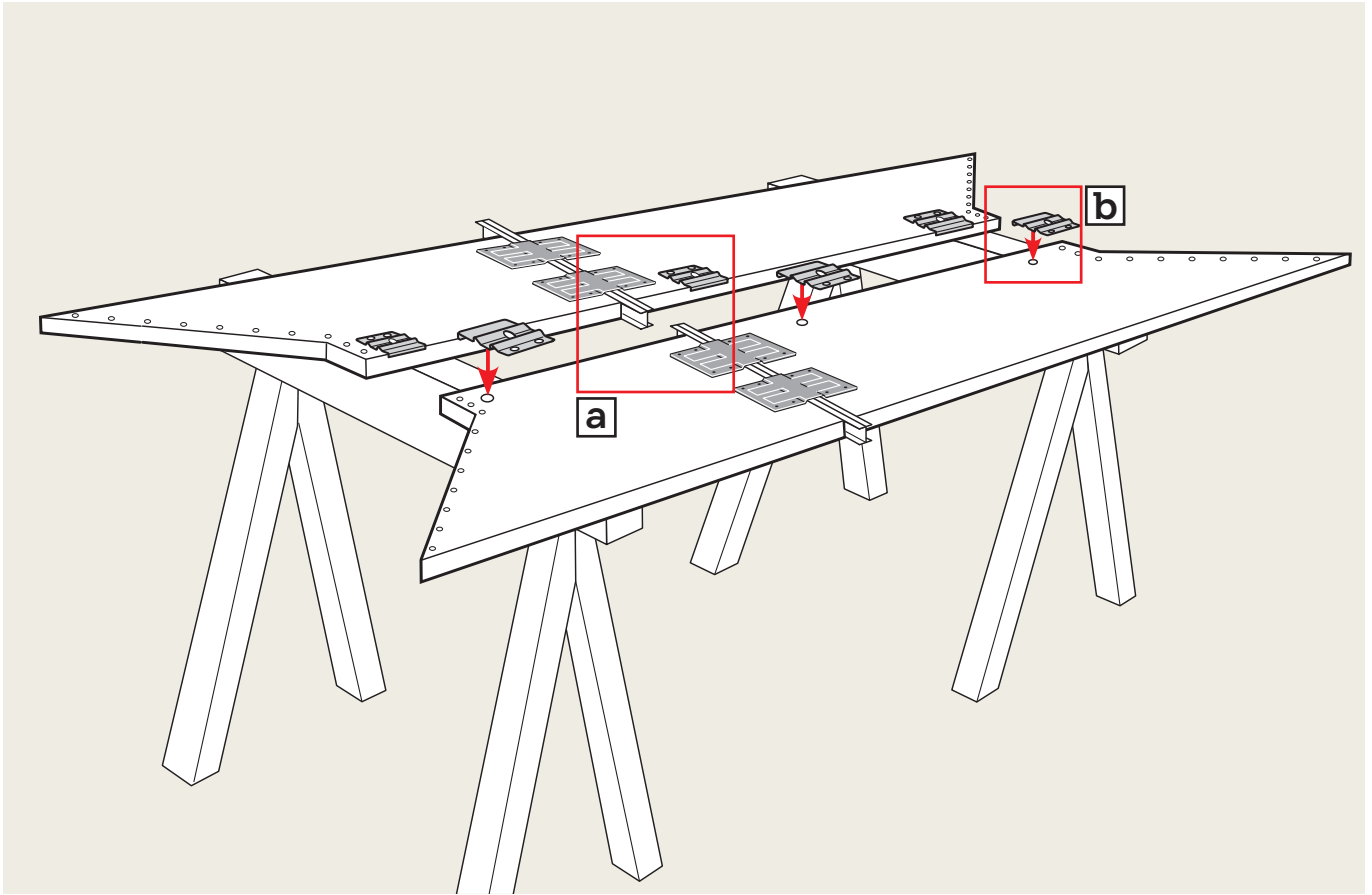
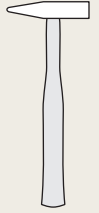
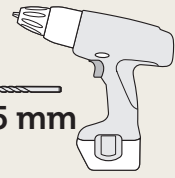
6



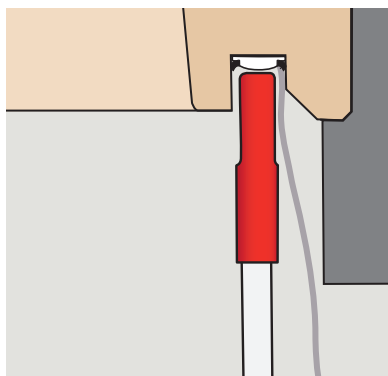
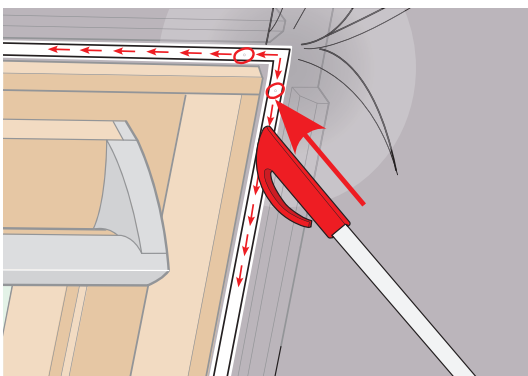
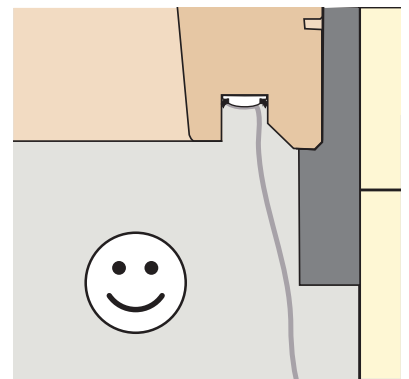
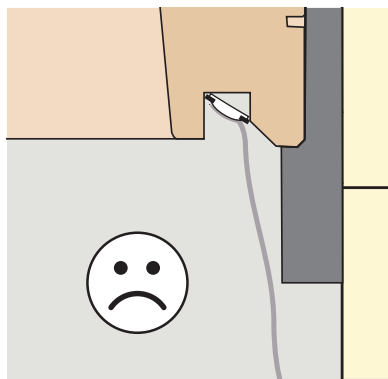
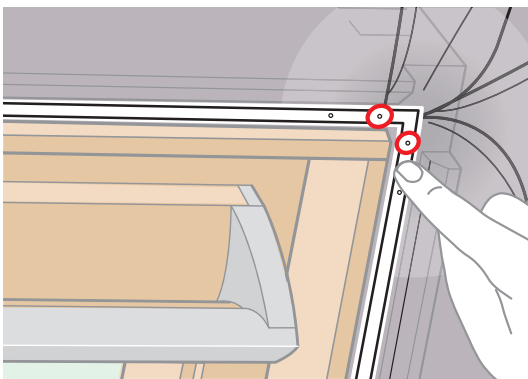
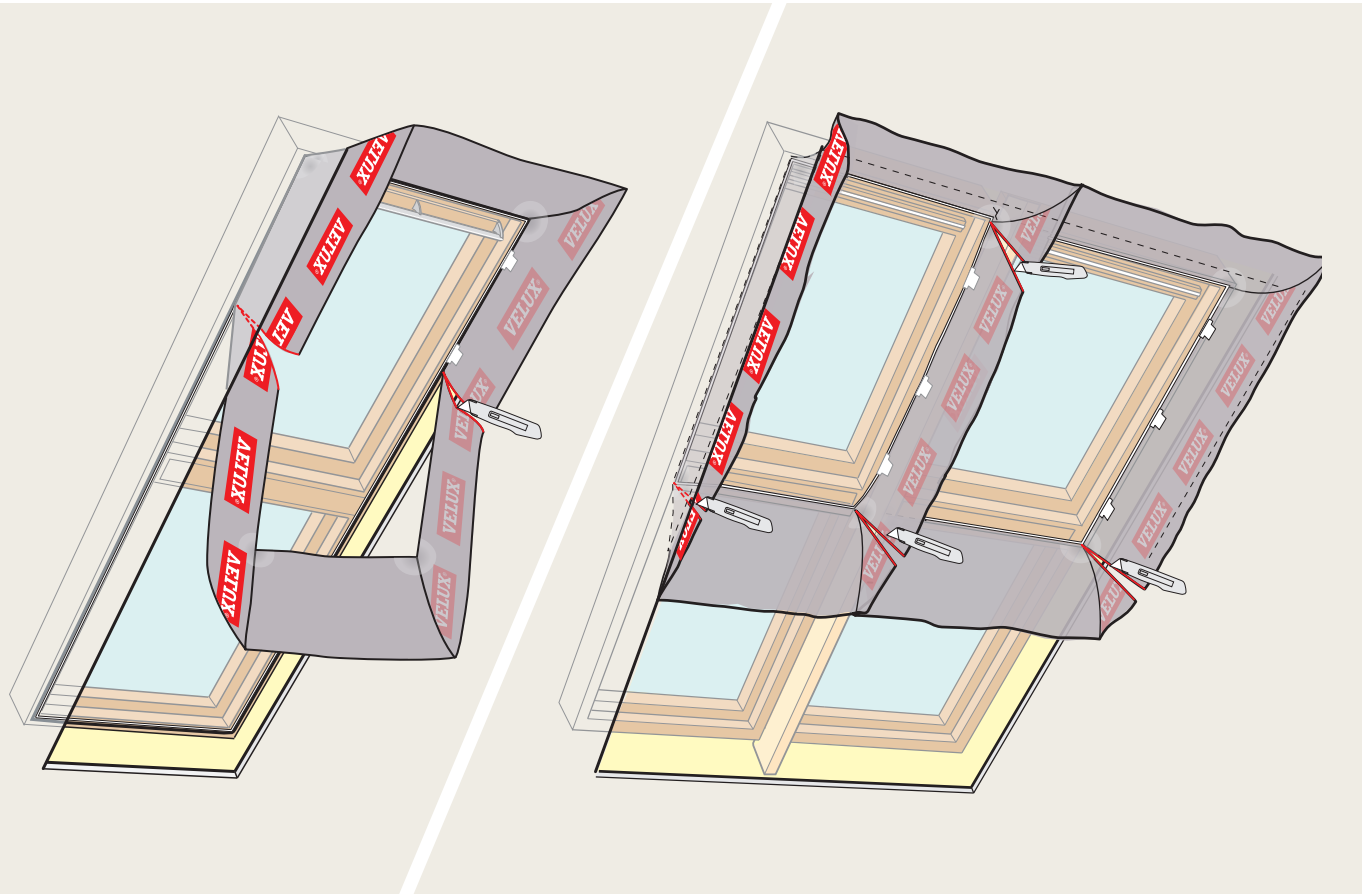
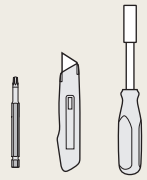
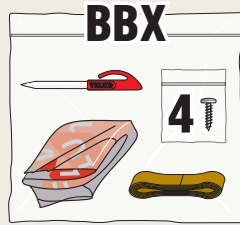
7

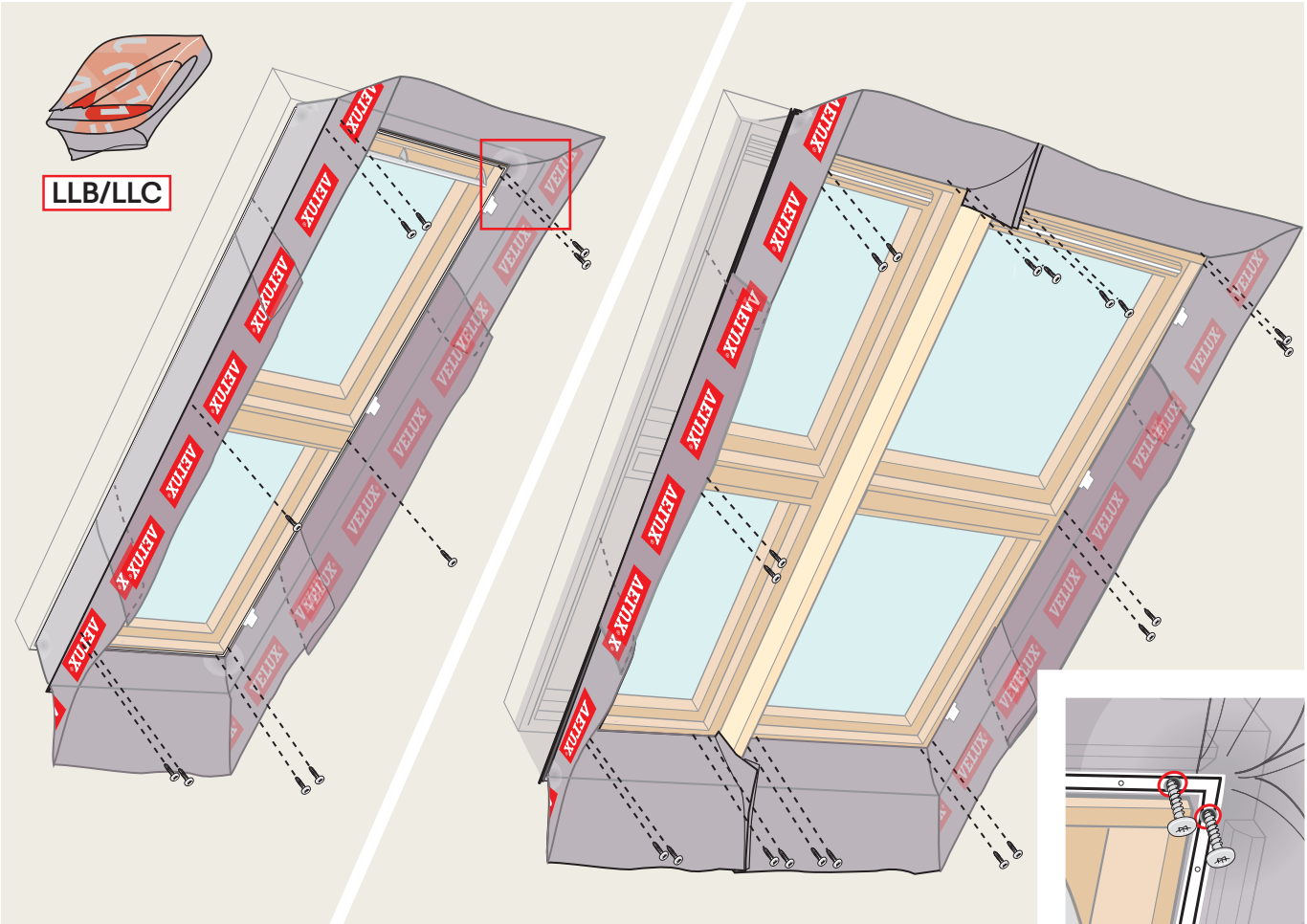
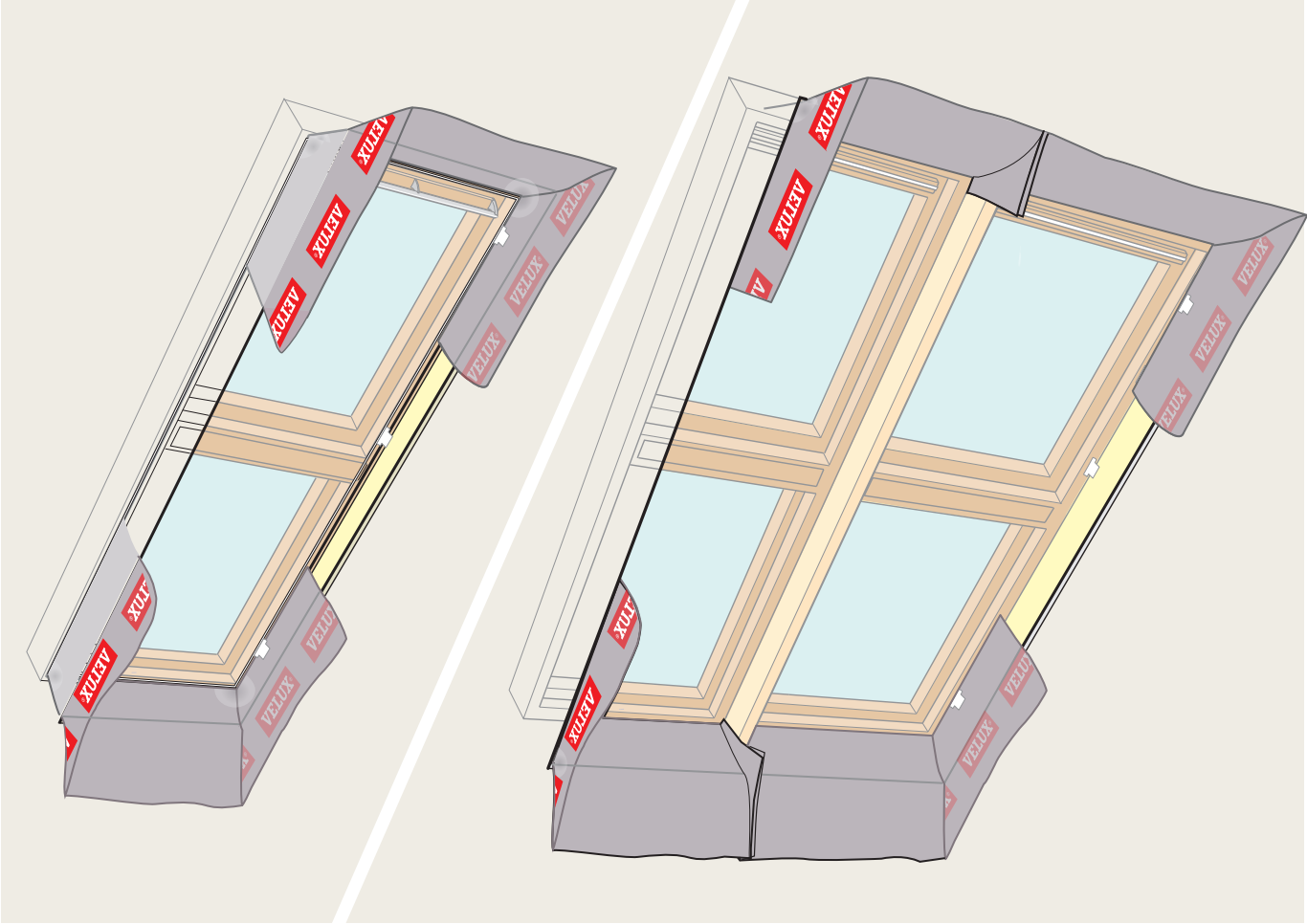


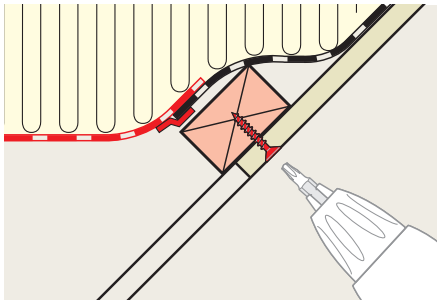
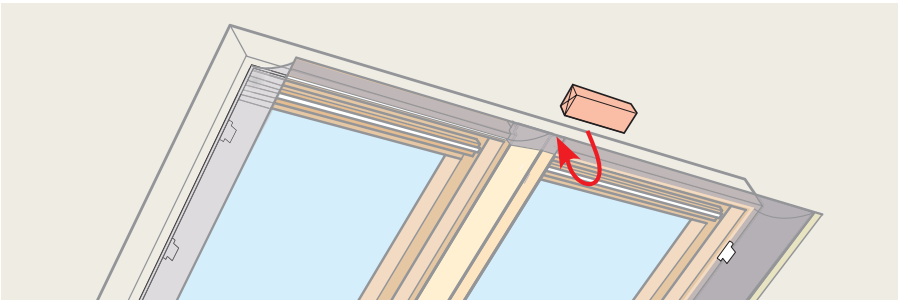
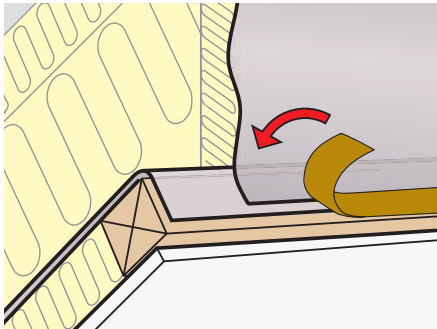
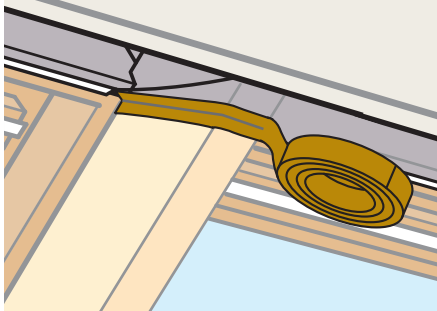
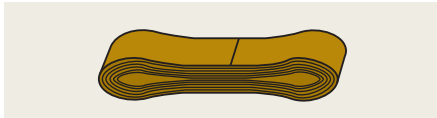
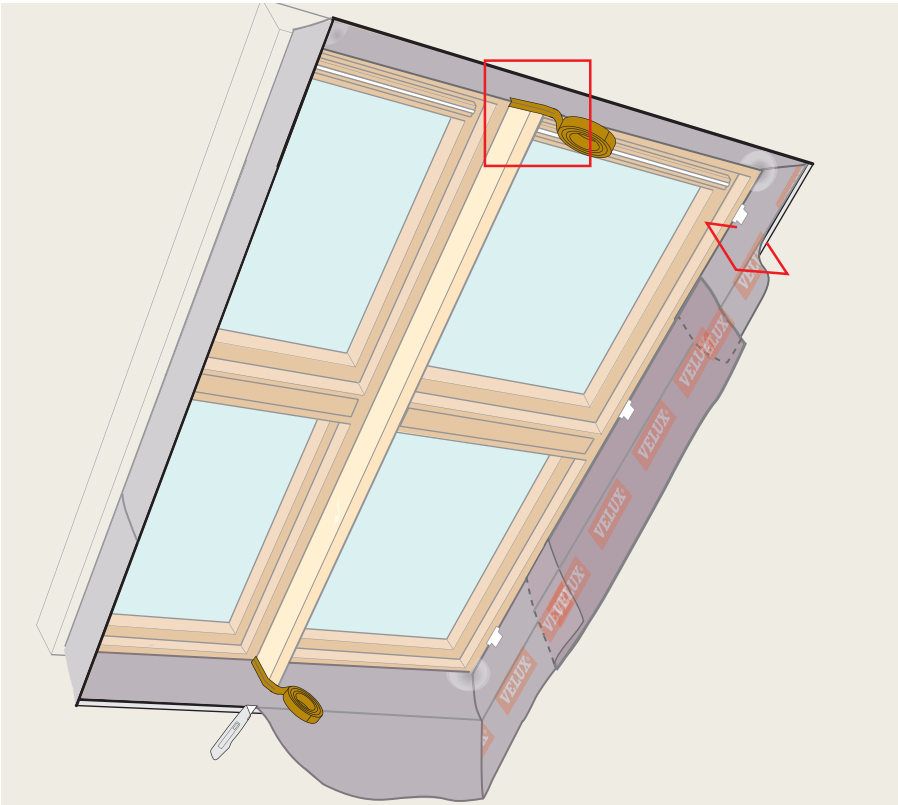
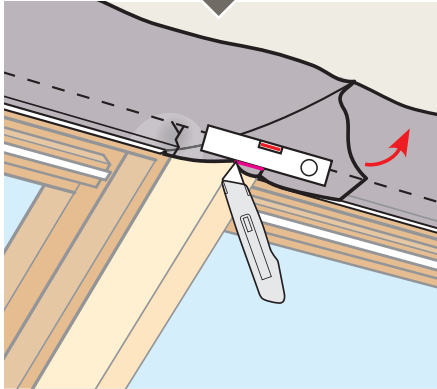
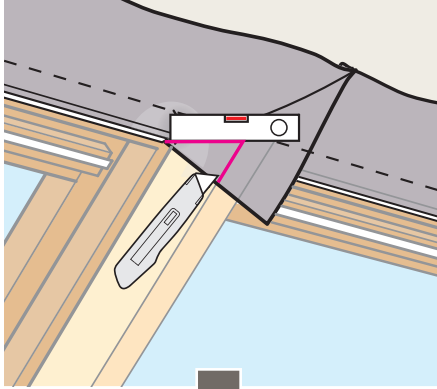
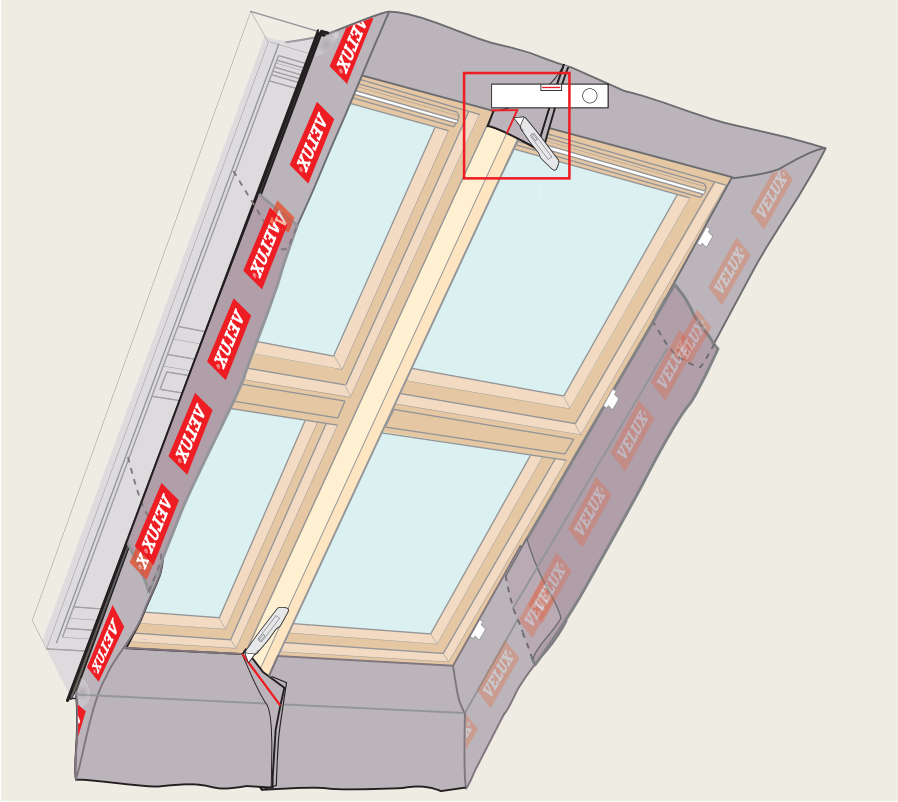
Ø 5 mm



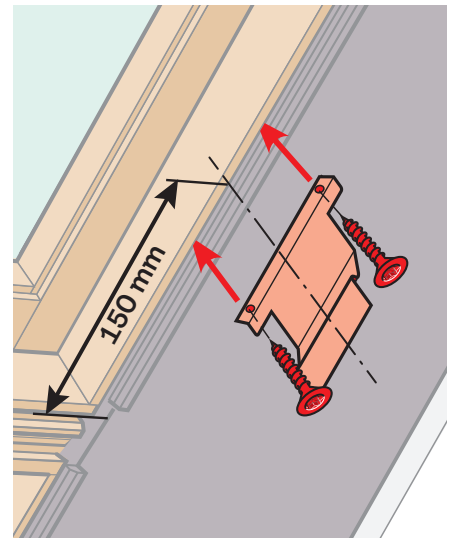
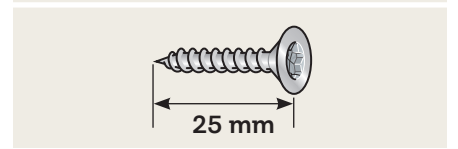
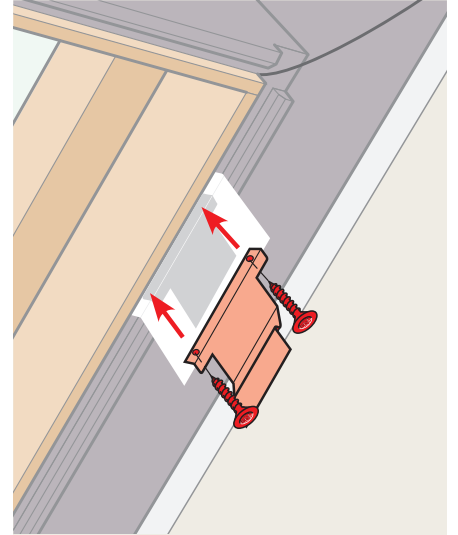
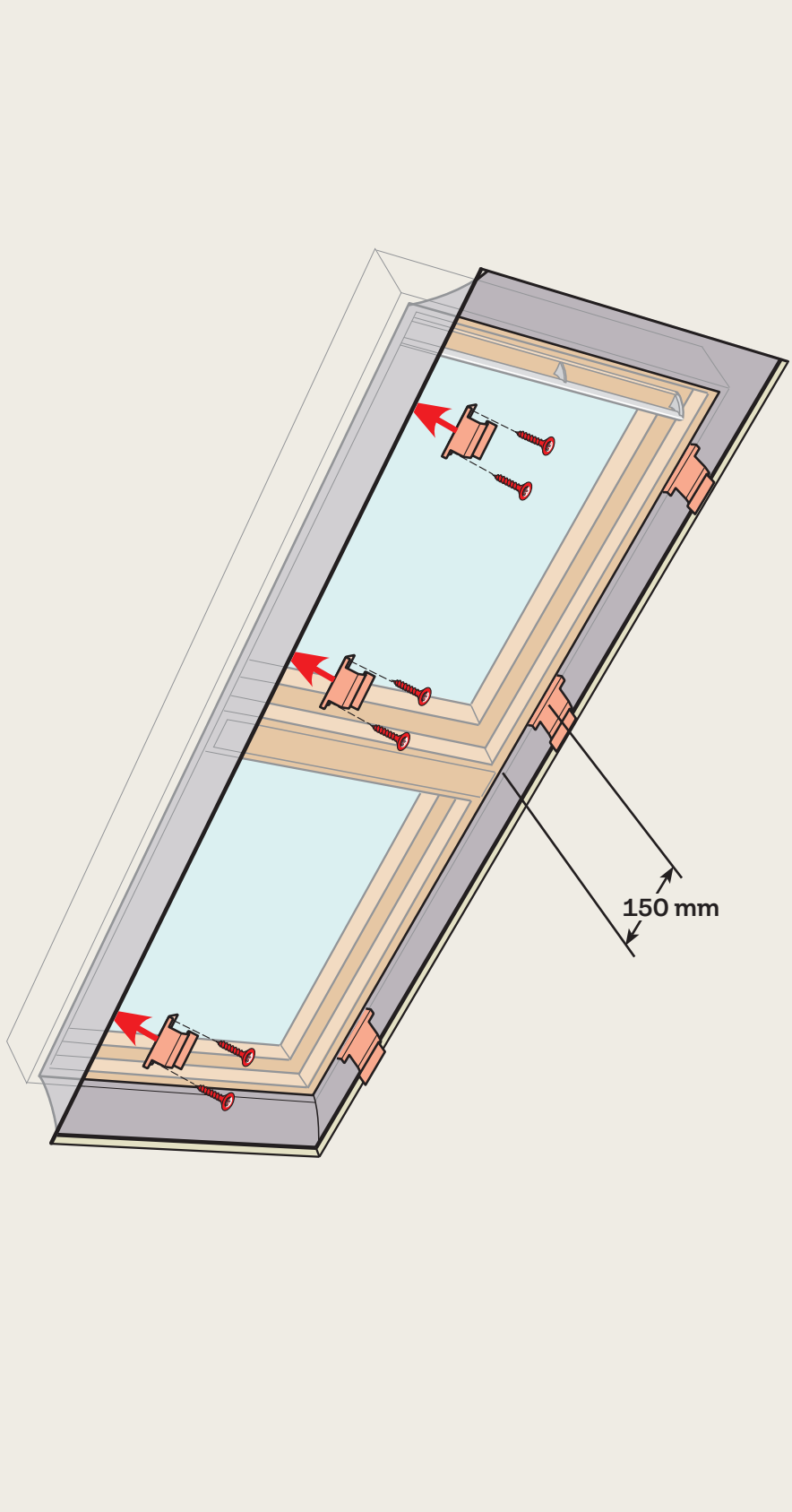
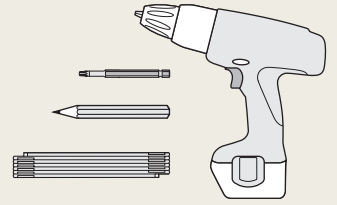
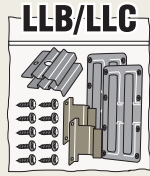
8



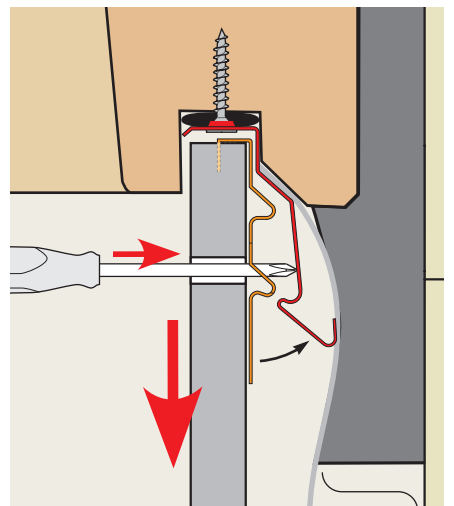
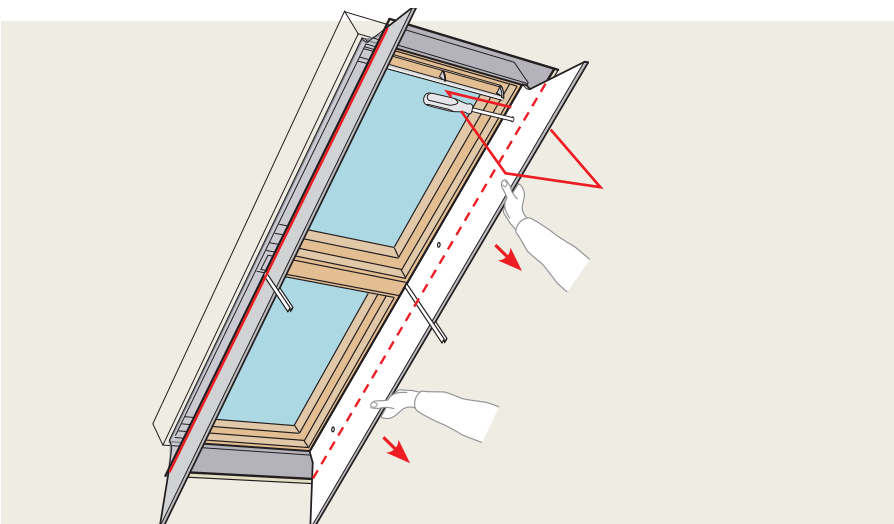
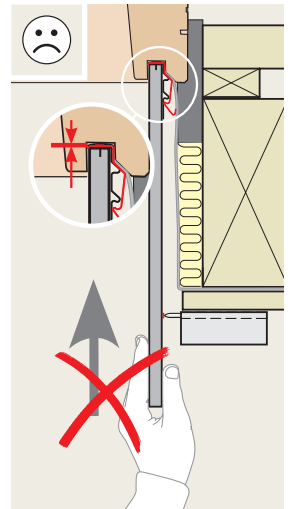
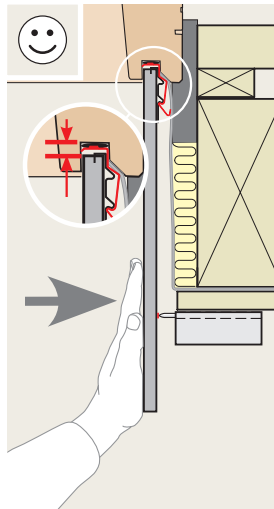
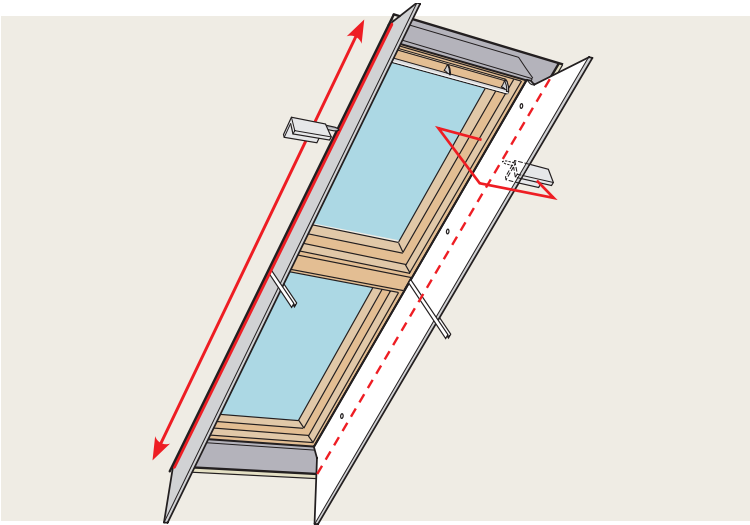
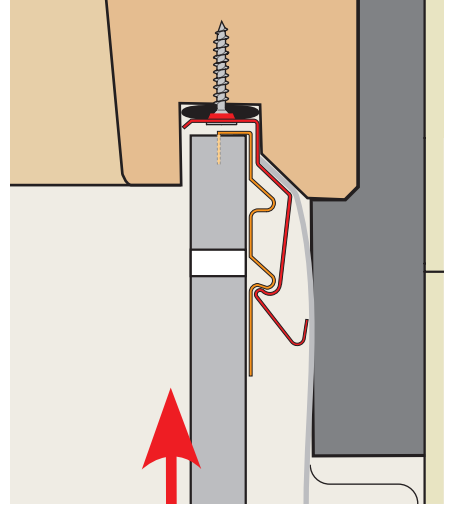
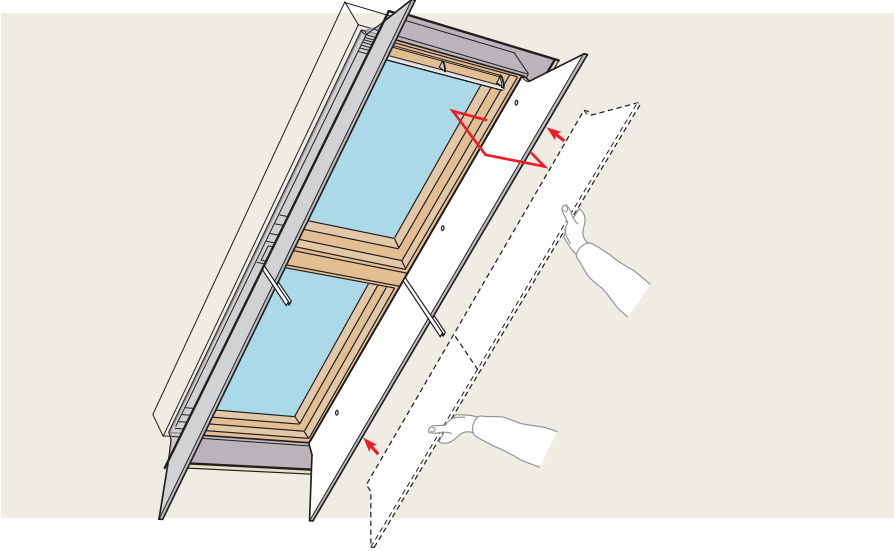
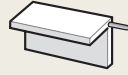
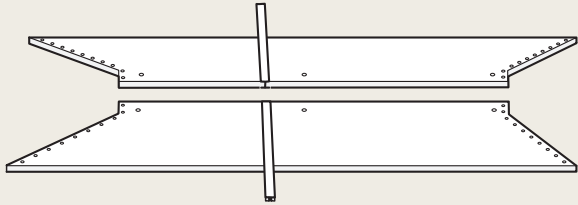




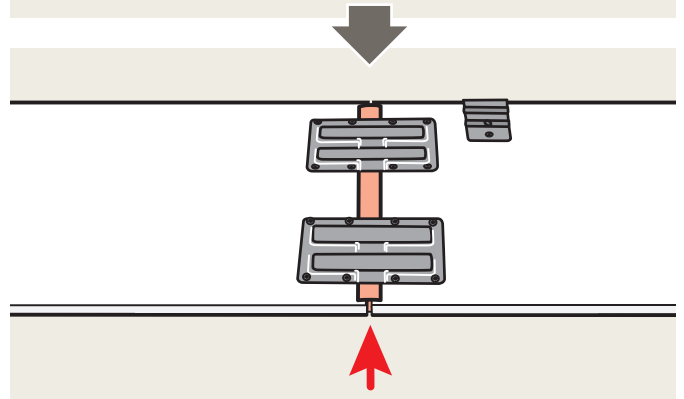
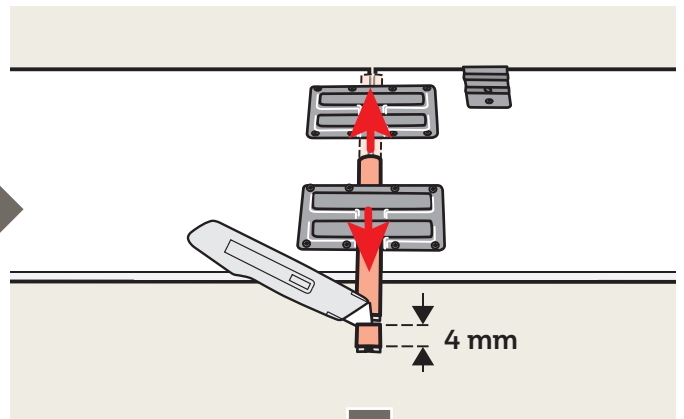
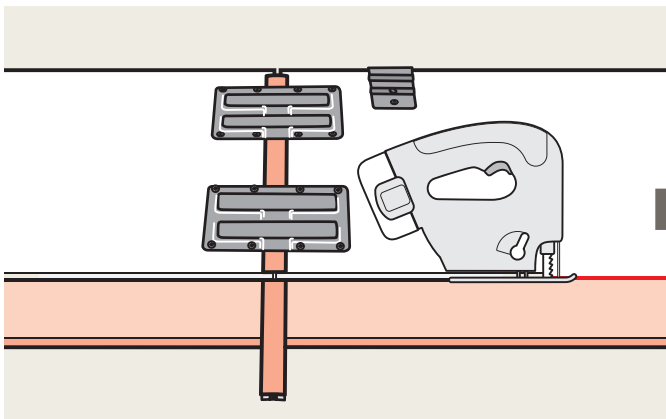
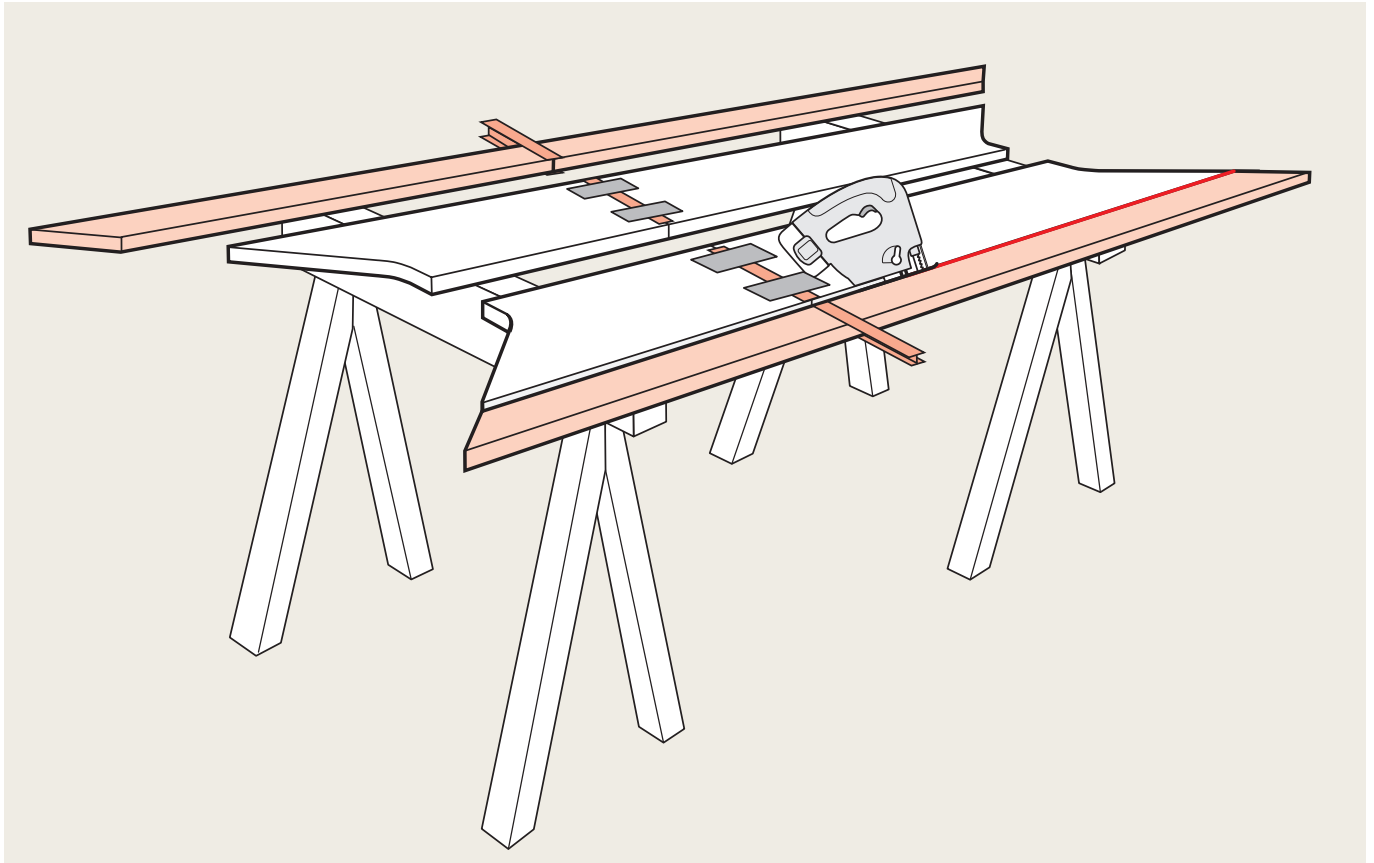
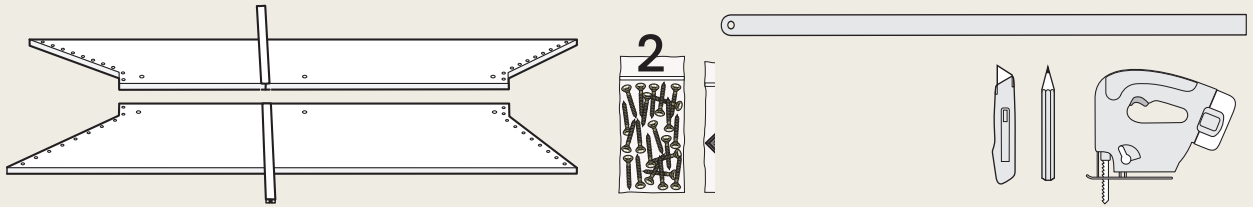
9



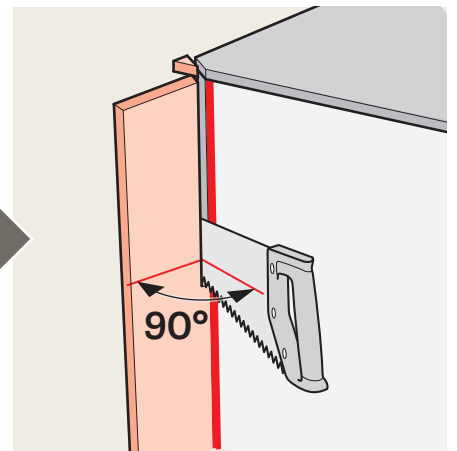
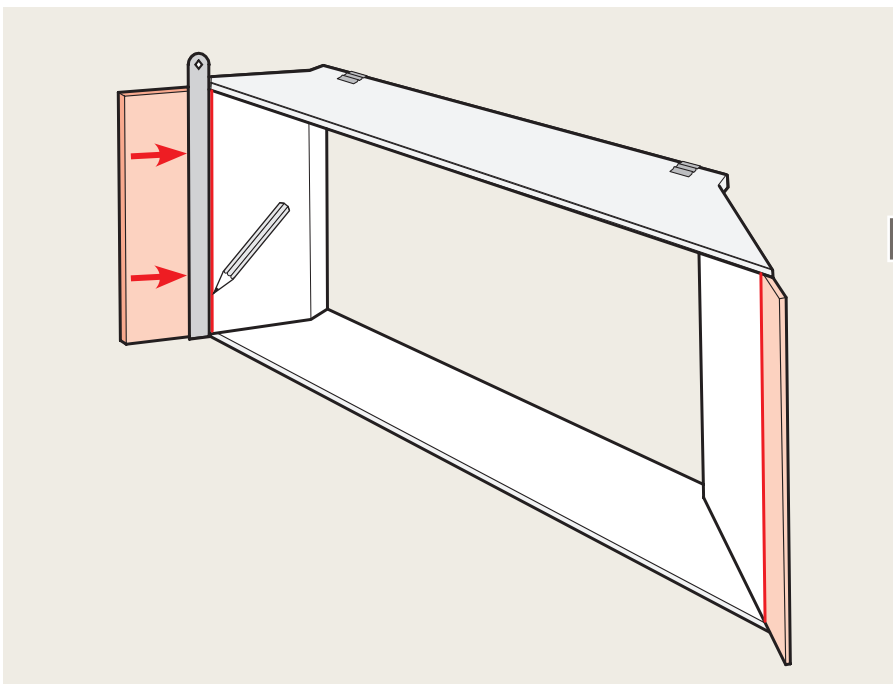
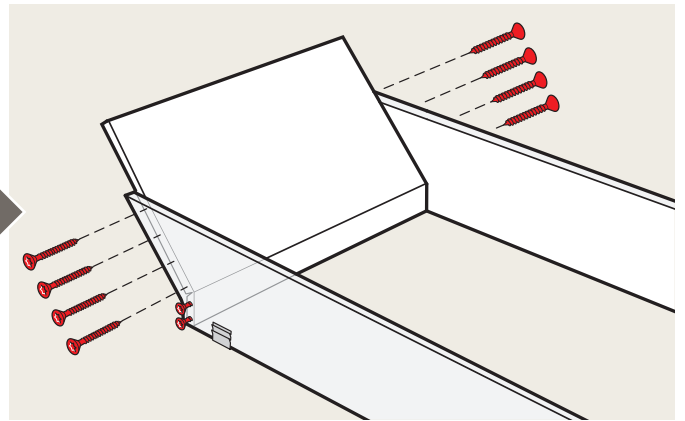
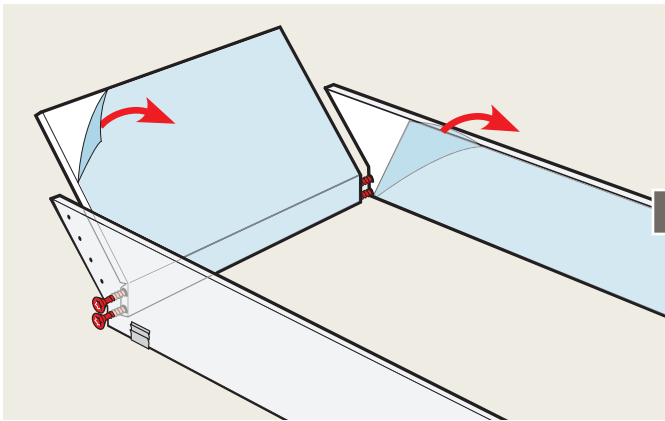
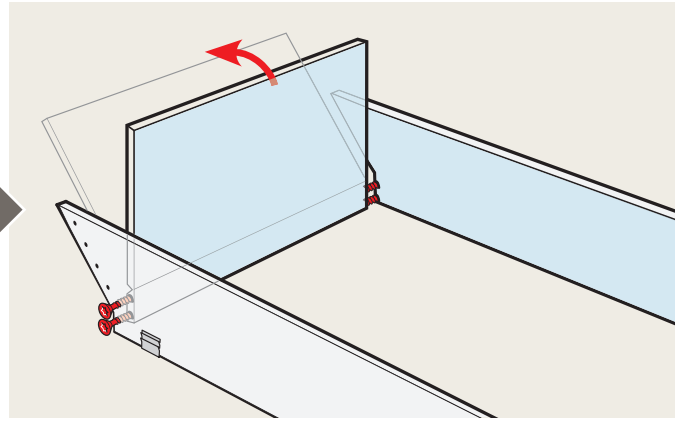
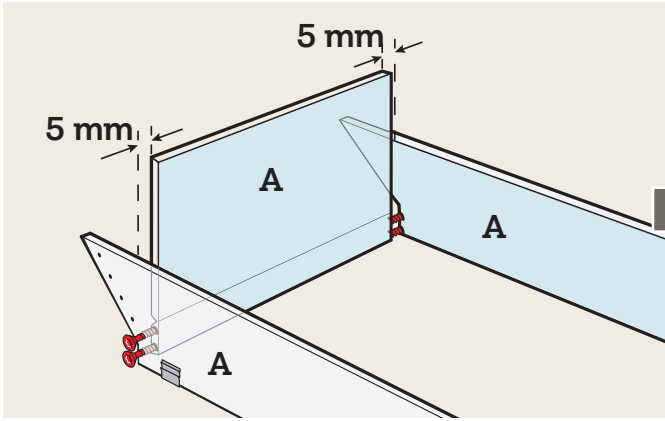
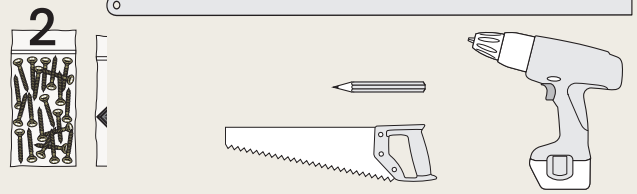
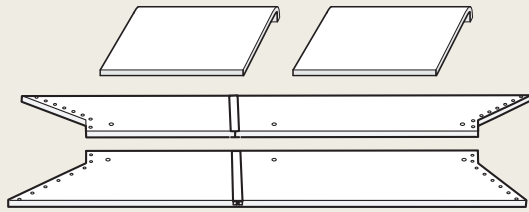
10

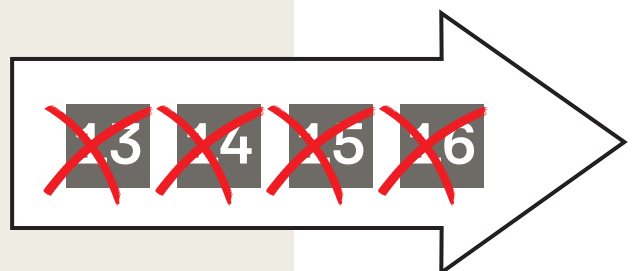
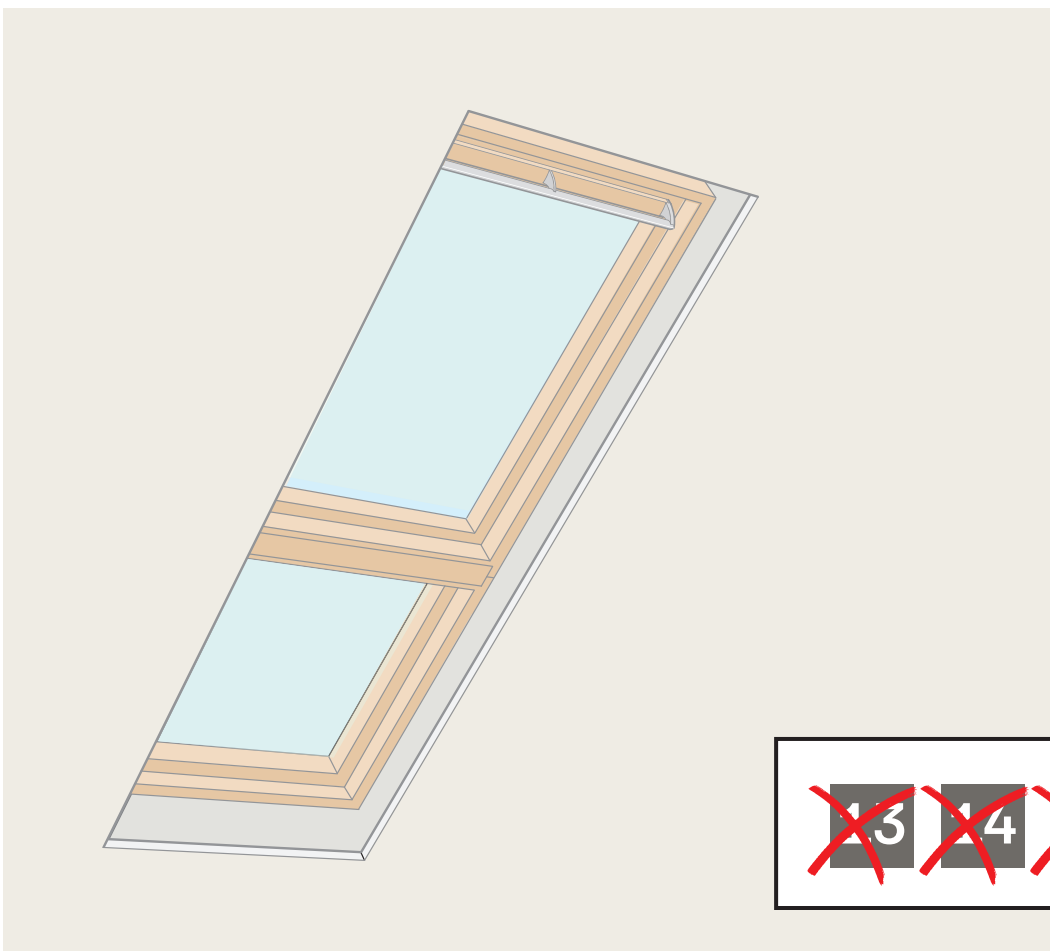
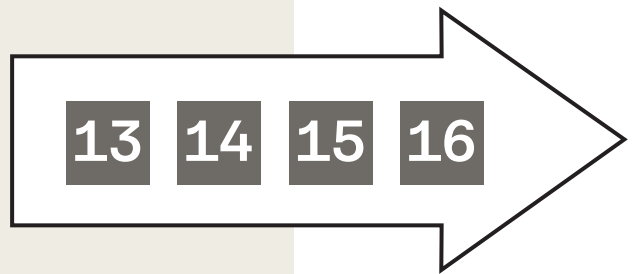
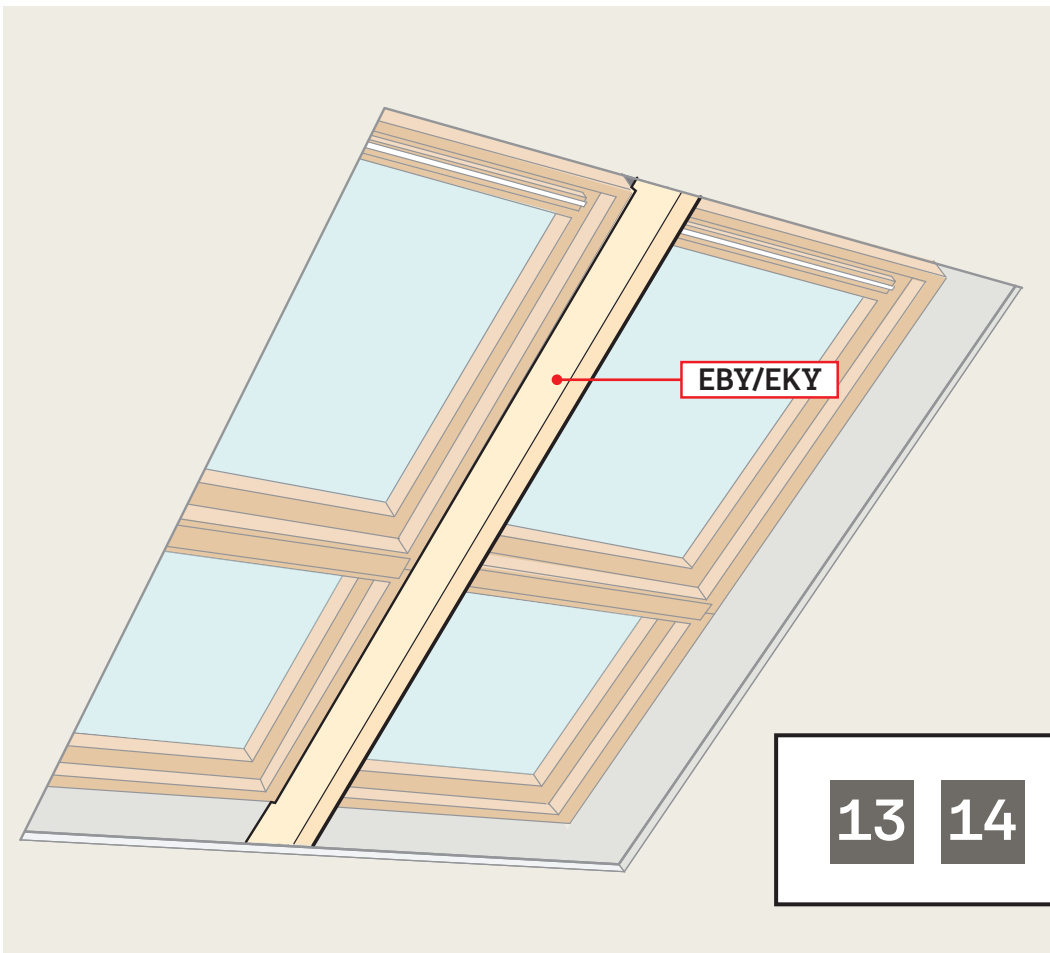


11

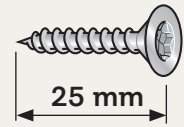
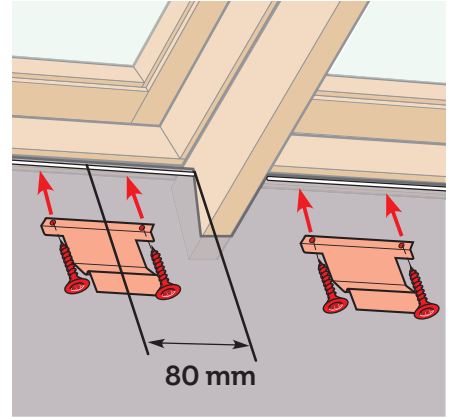
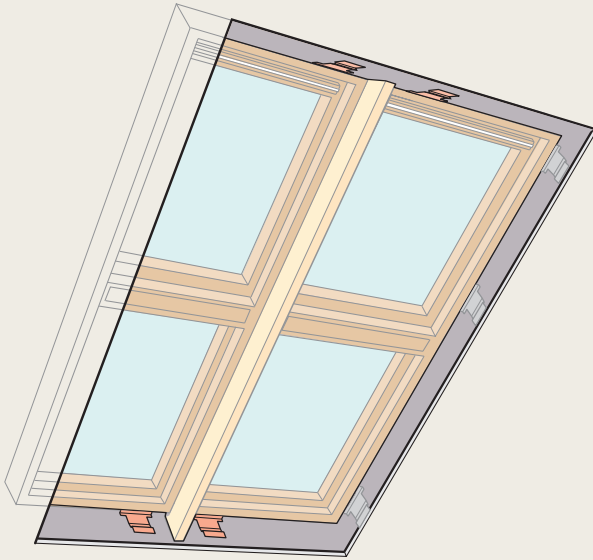


12

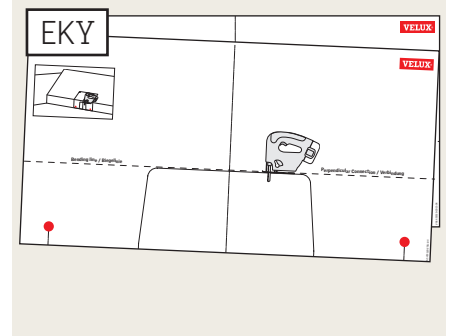
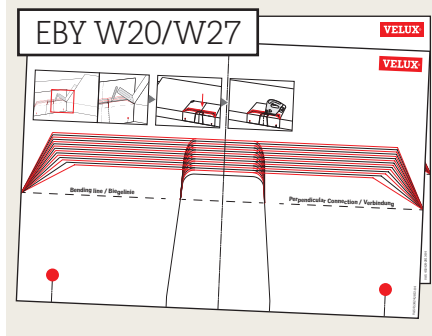
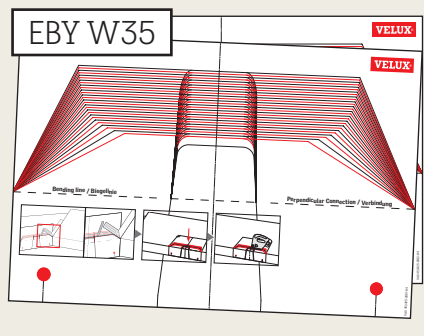
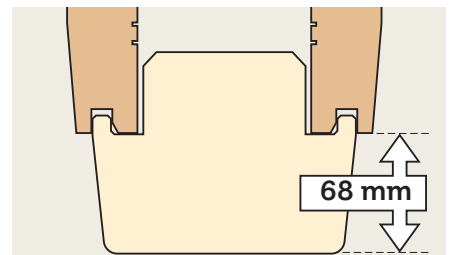
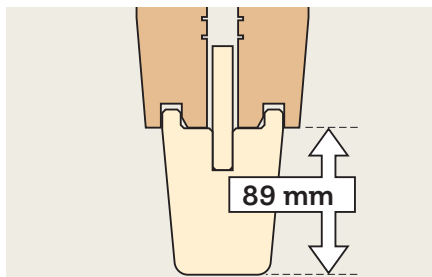
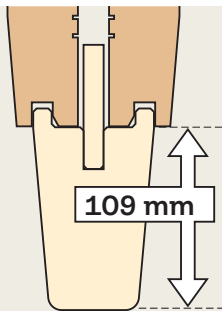
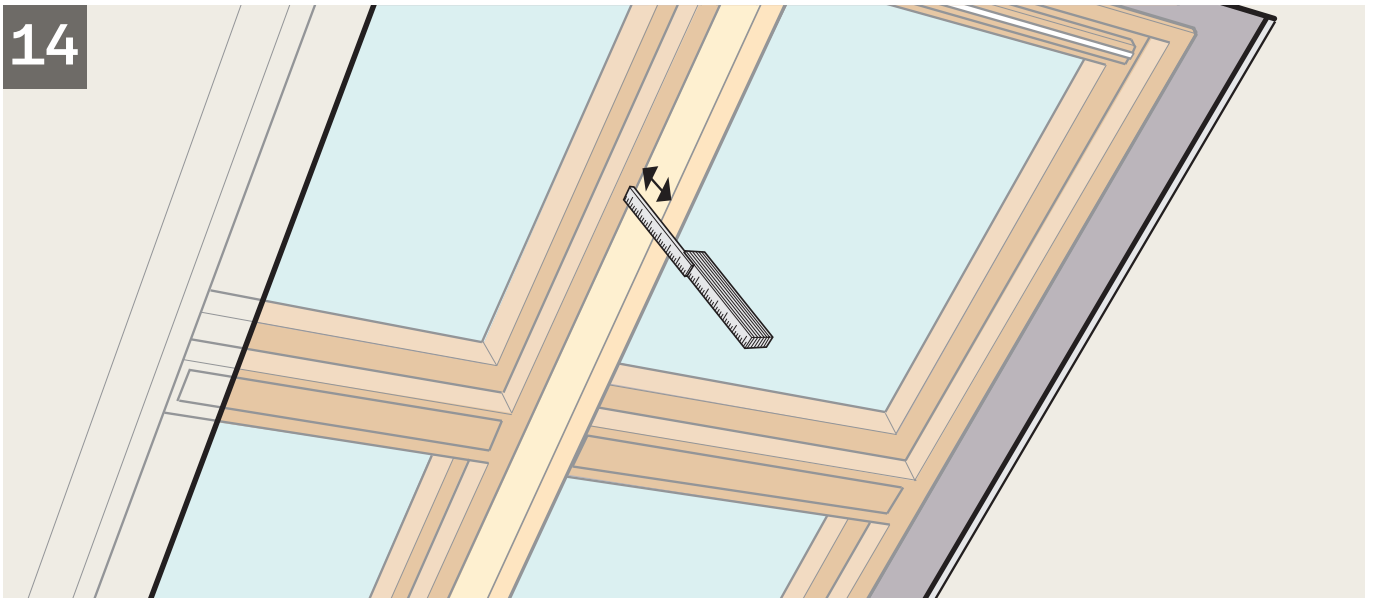


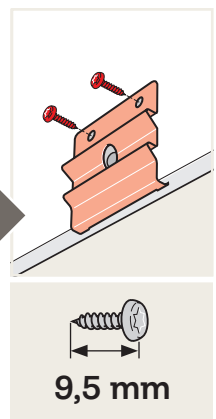
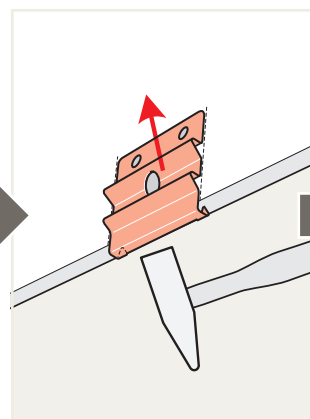
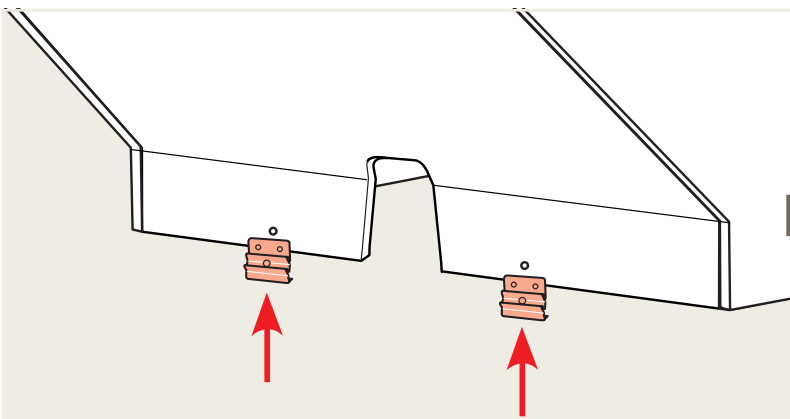
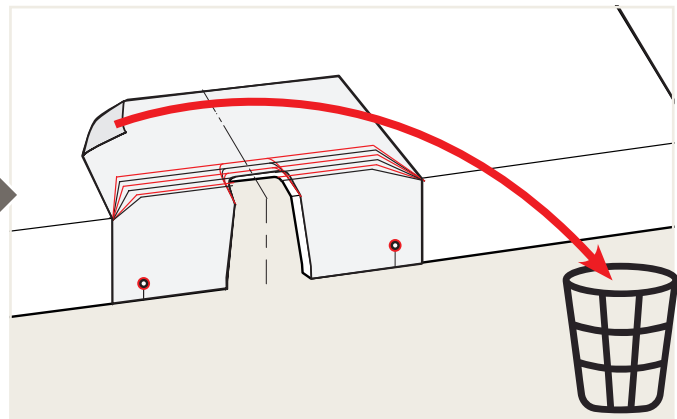
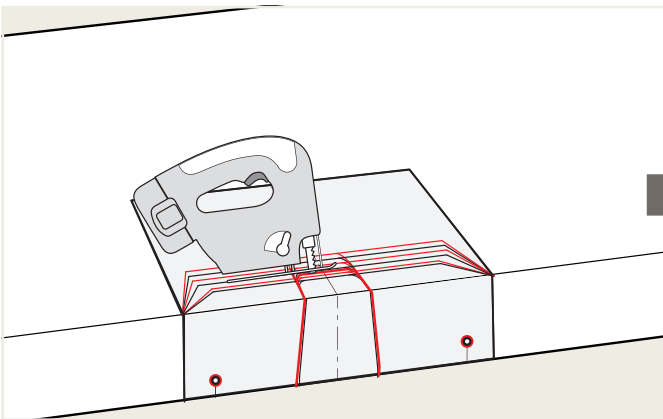
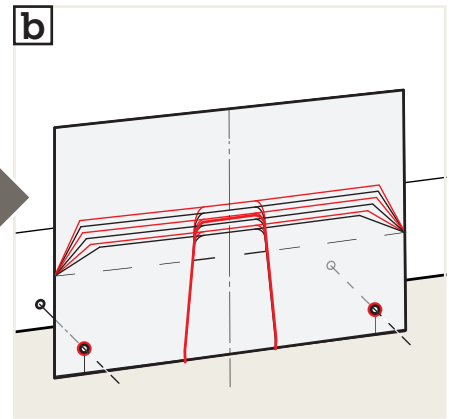
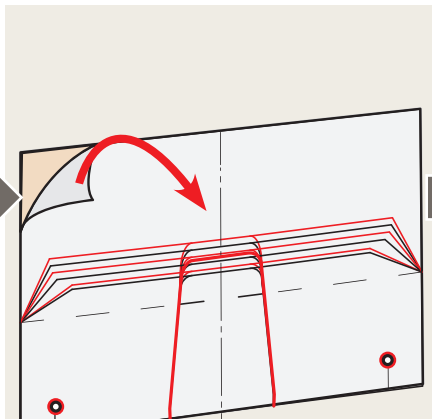
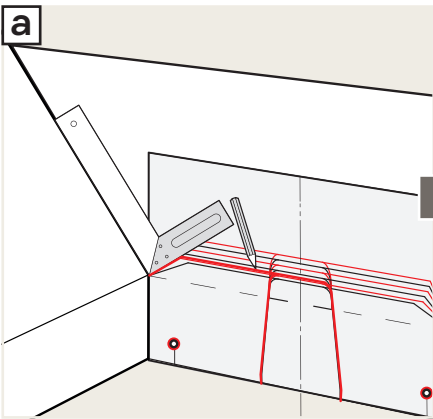
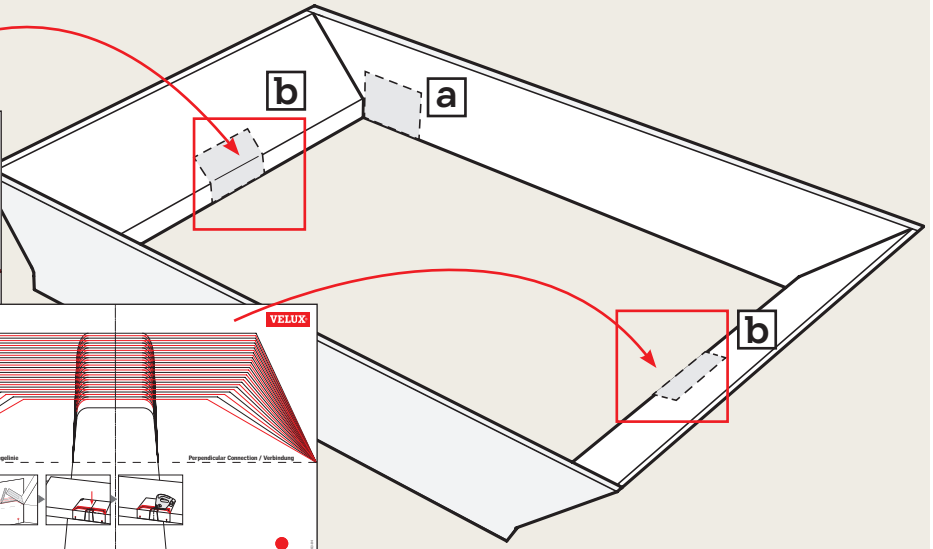
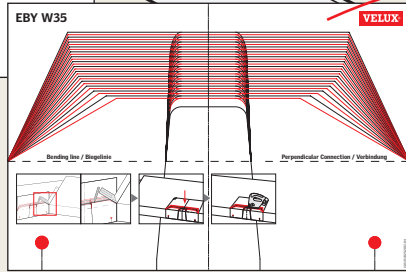
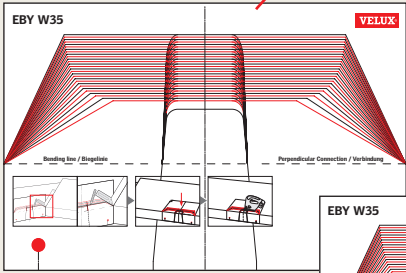


13

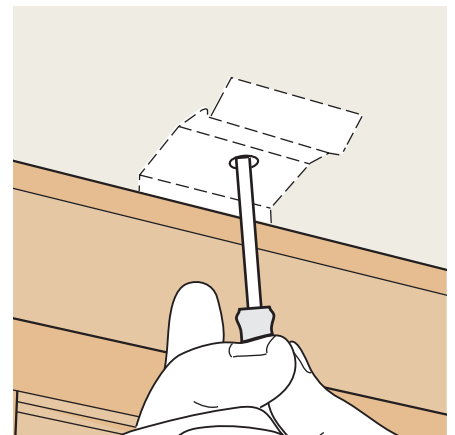
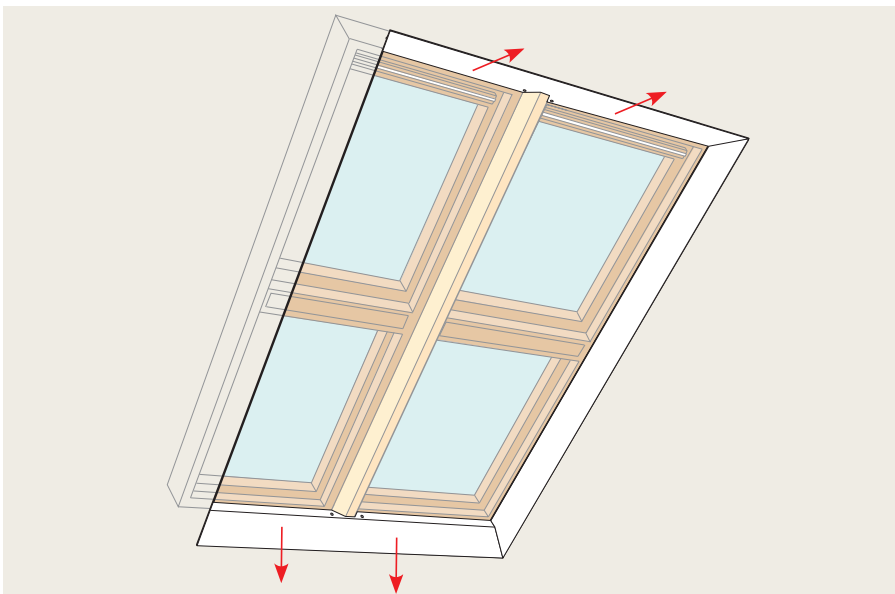
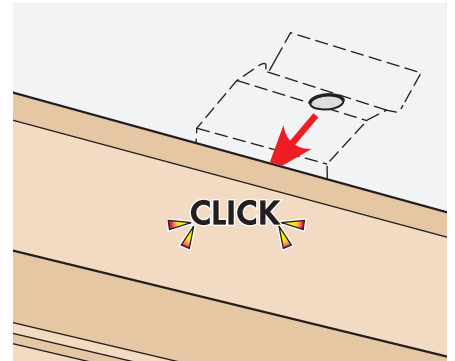
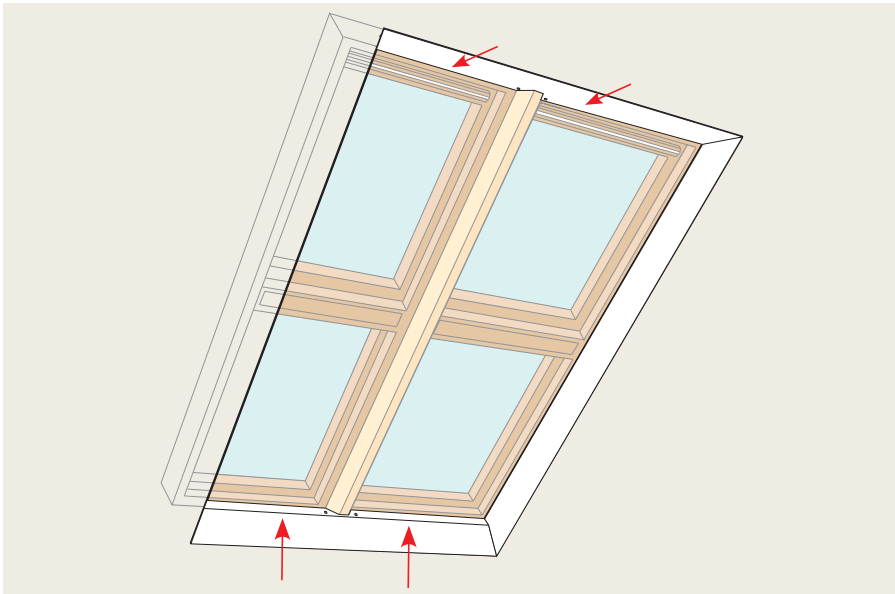
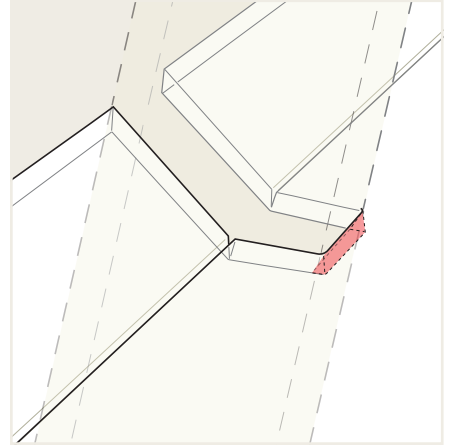
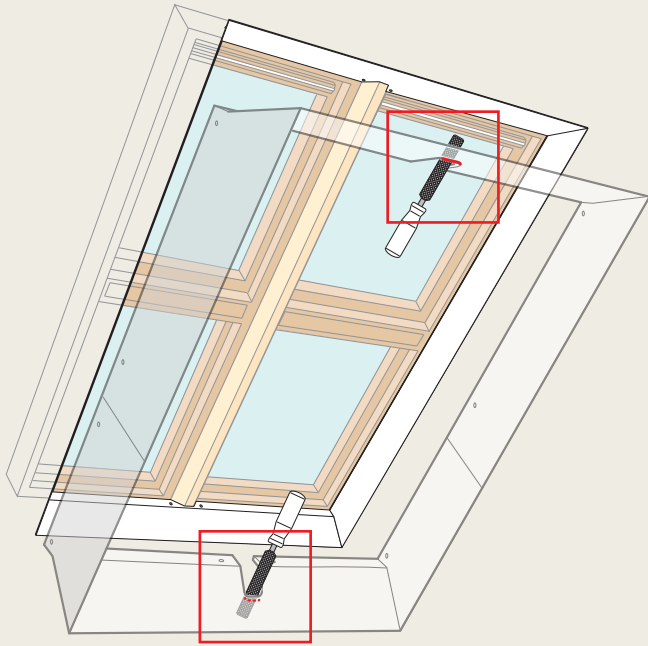


14

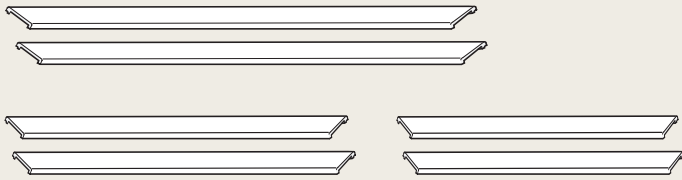




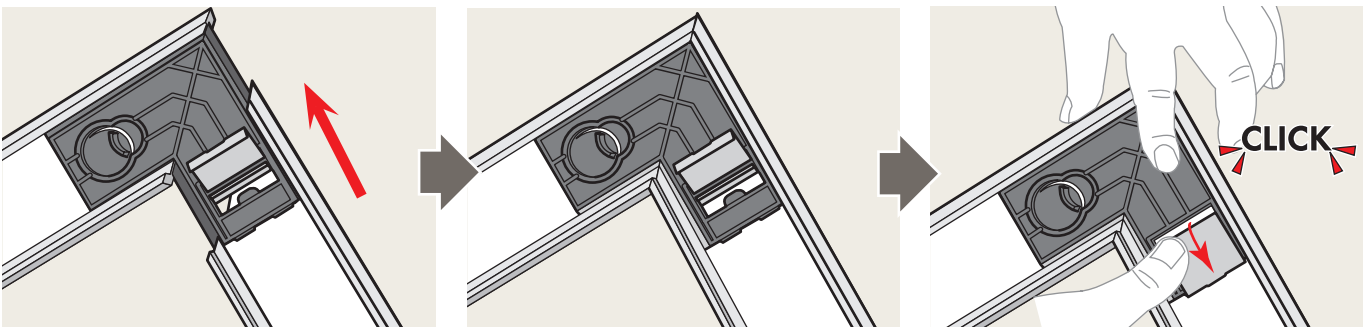
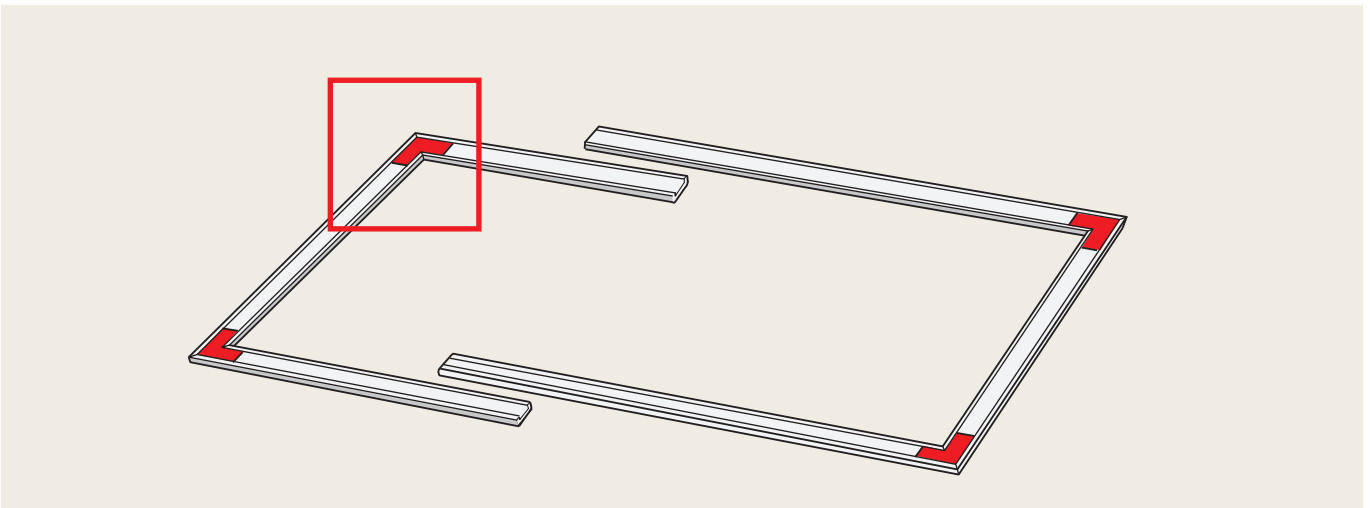
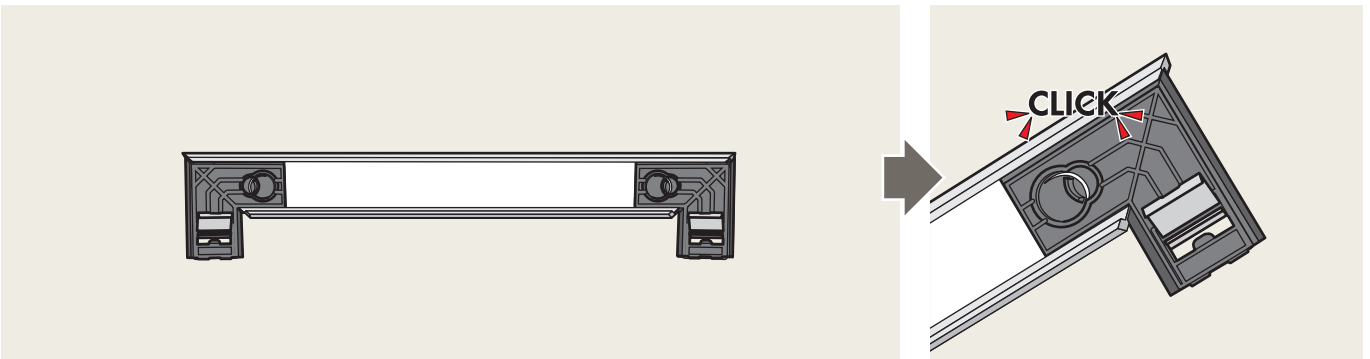
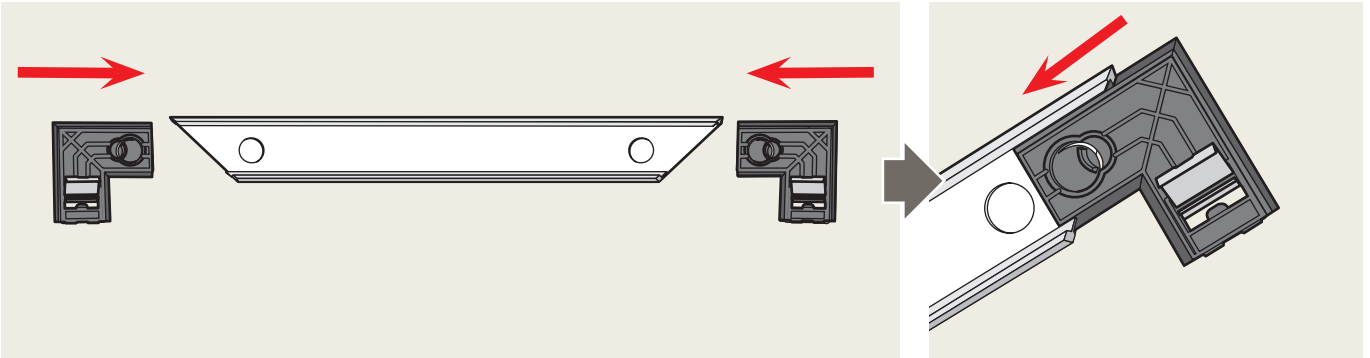
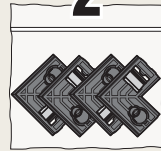
16



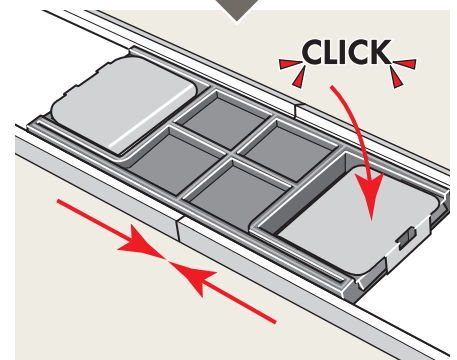
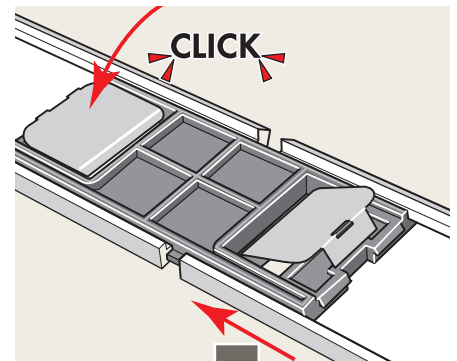
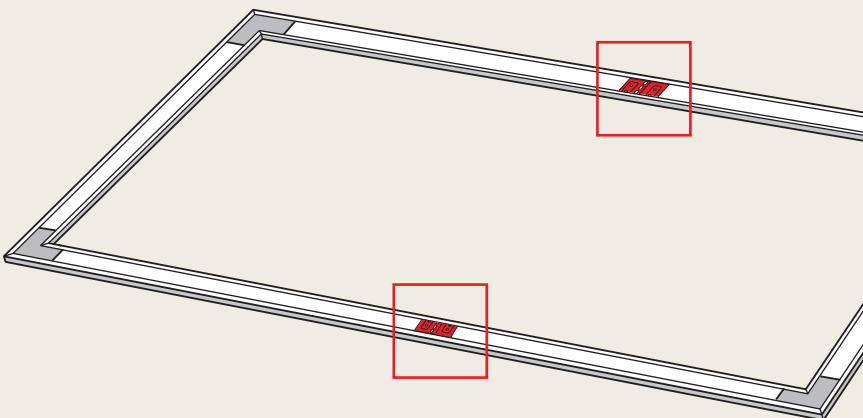
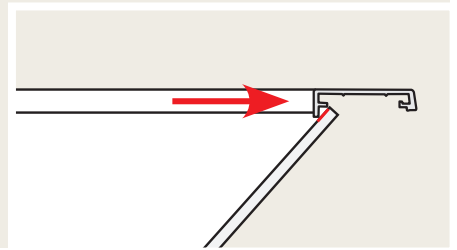
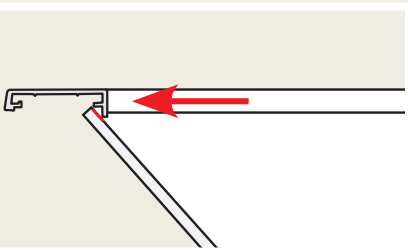
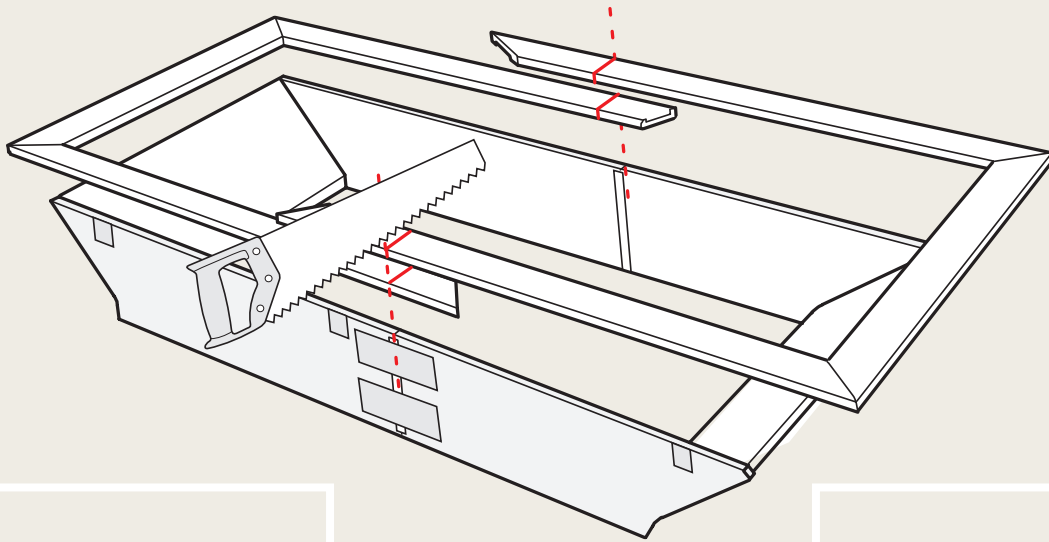
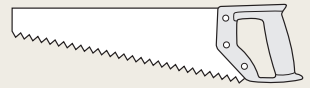
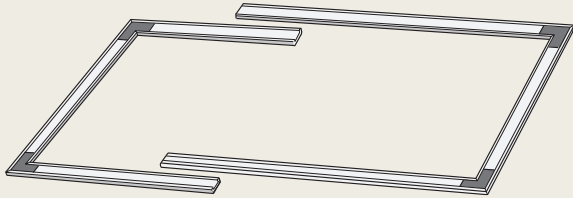
17



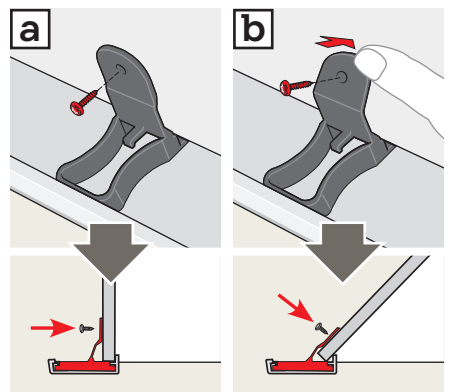
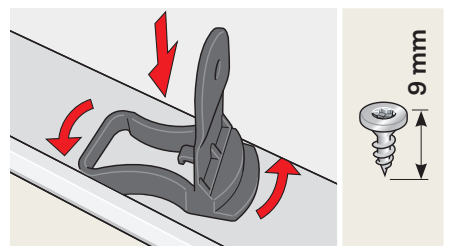
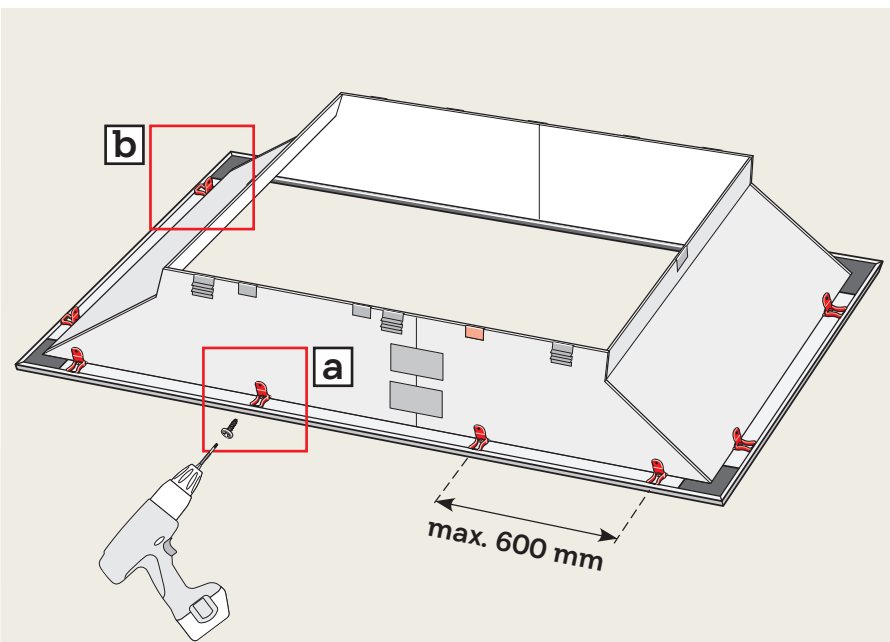
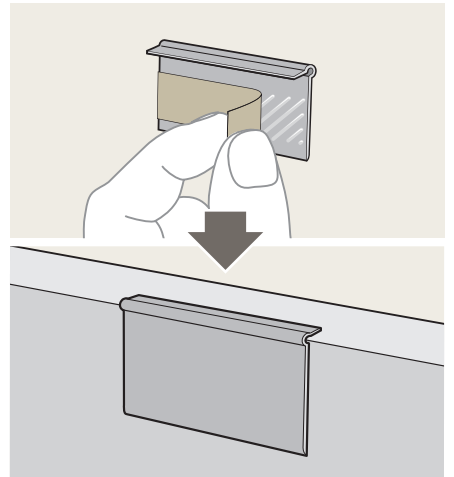
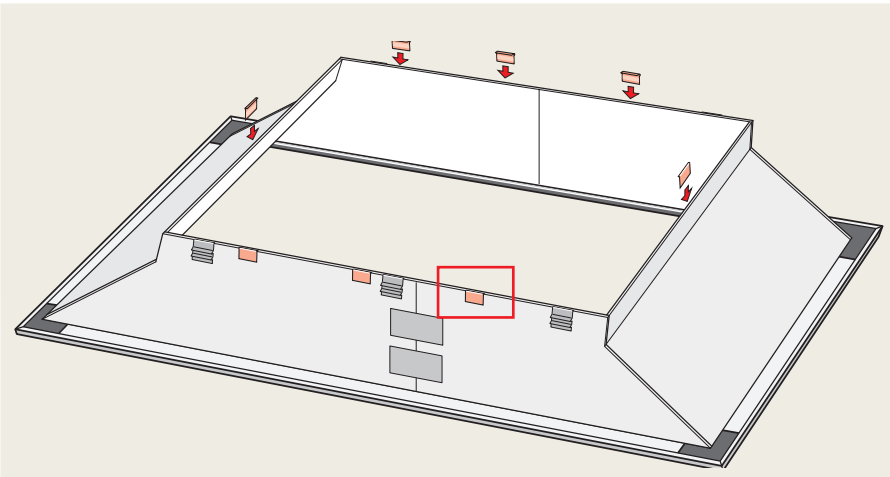
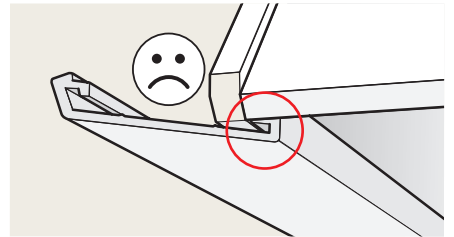
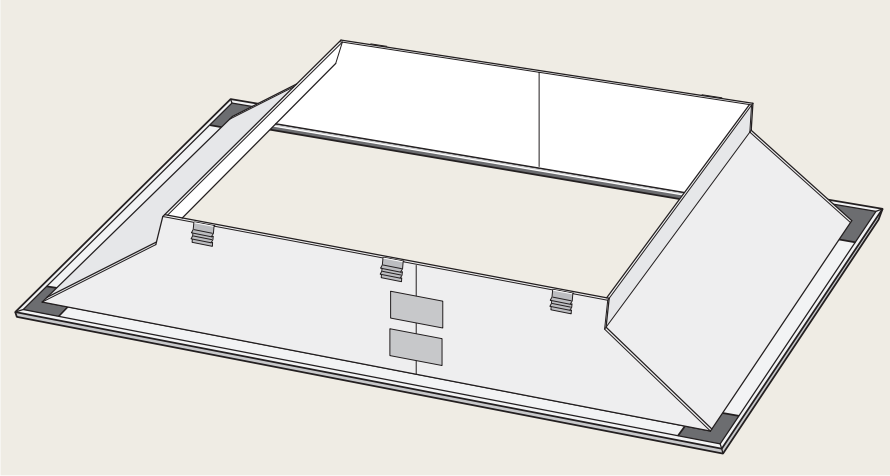
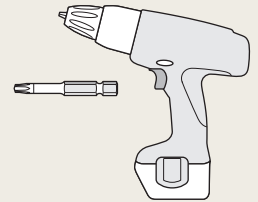
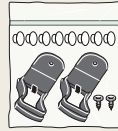
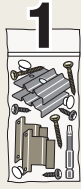
2

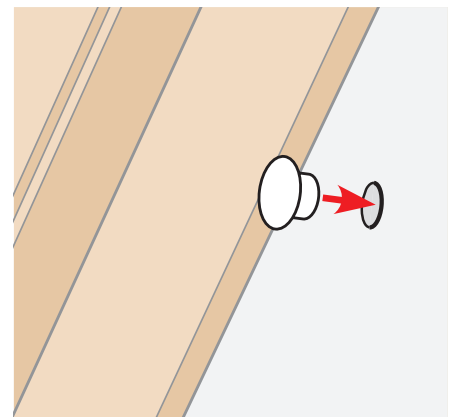
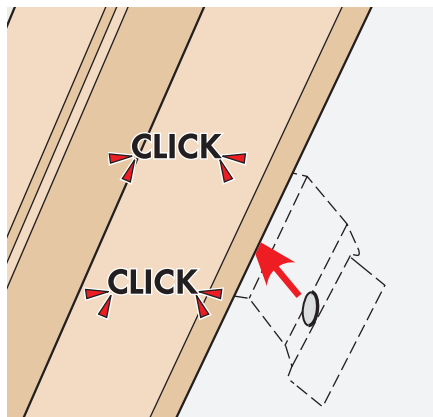
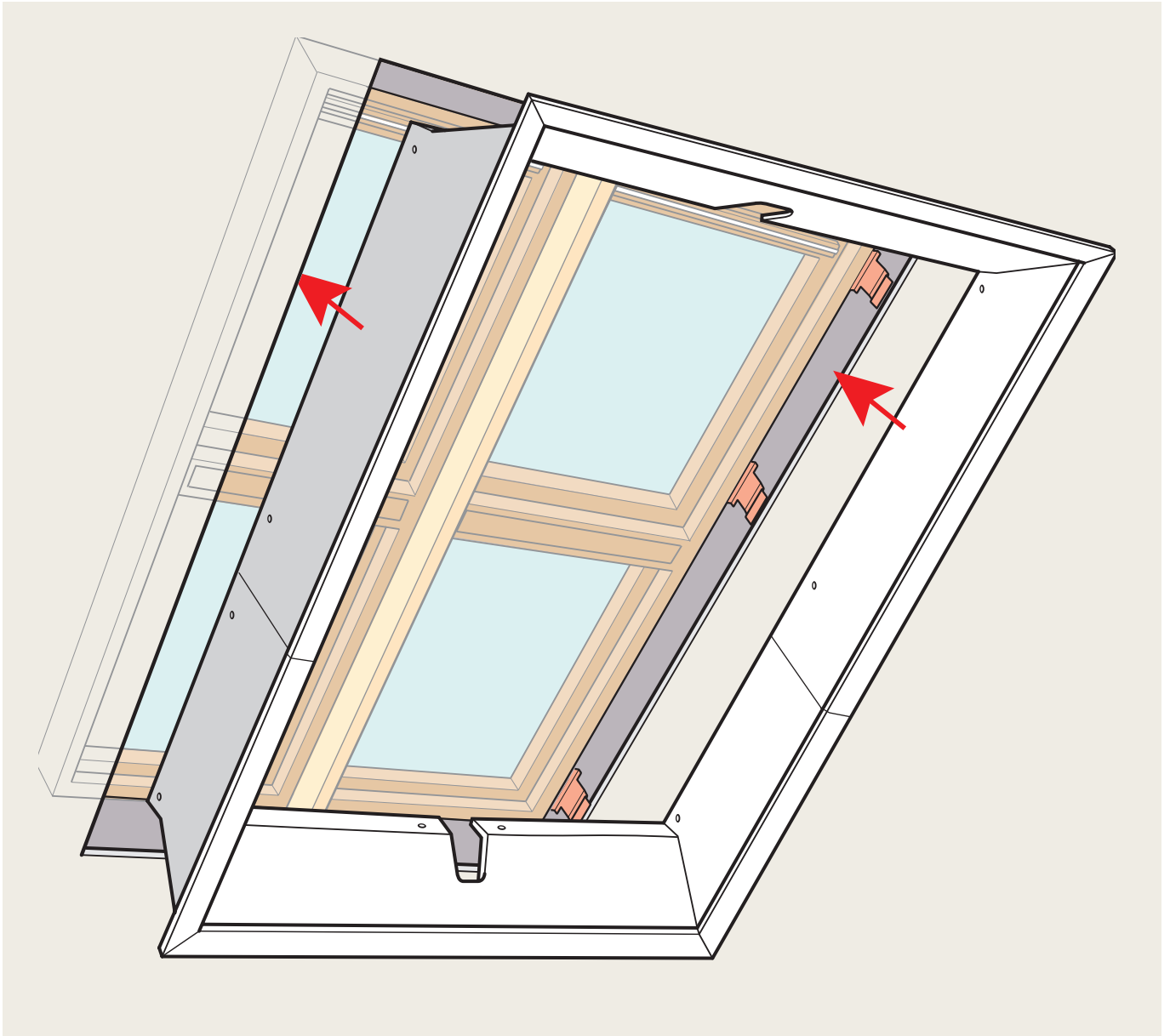


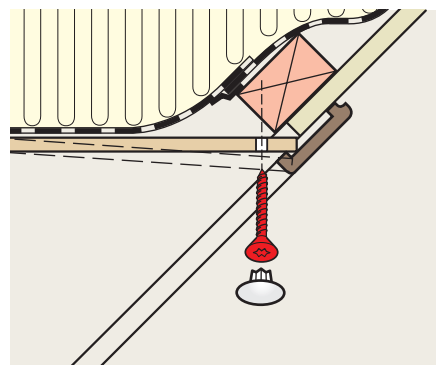
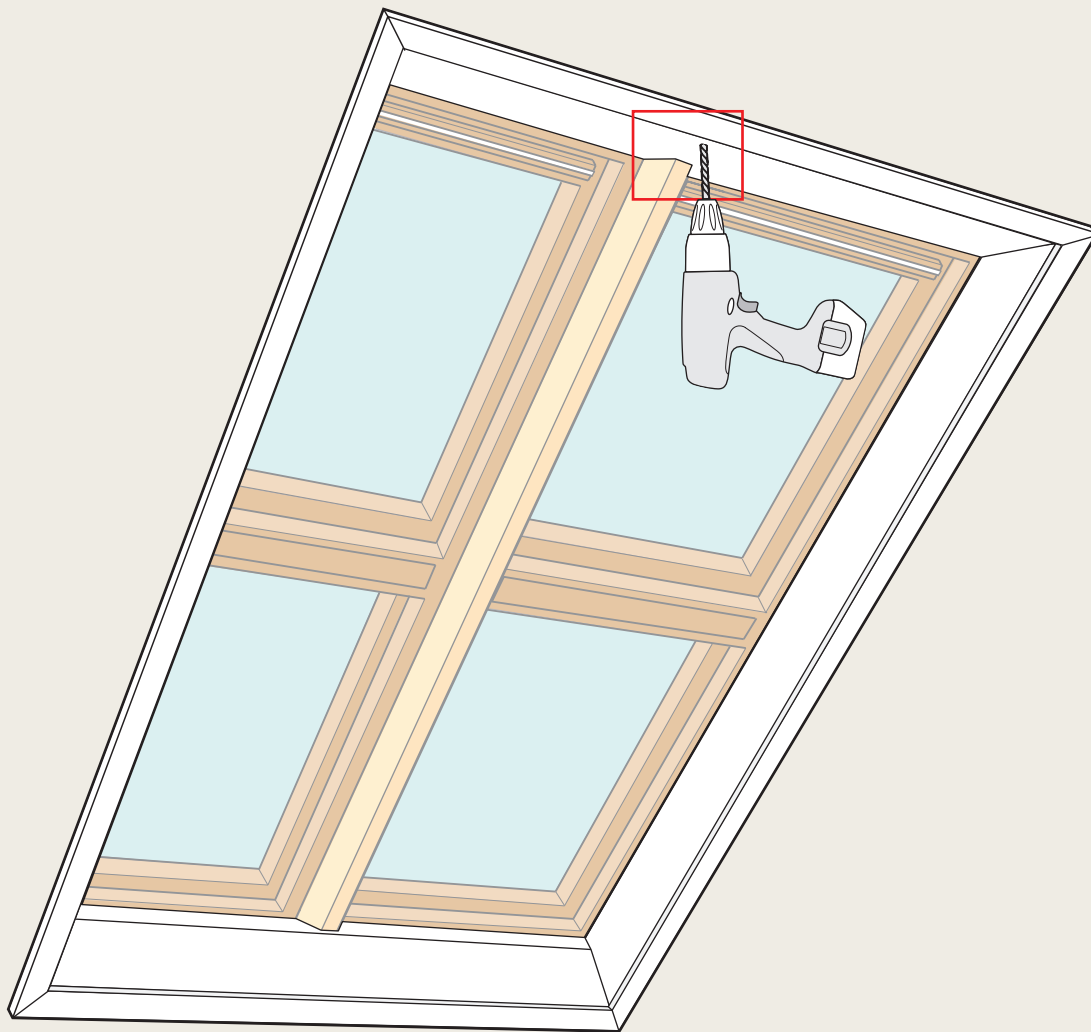
18



19







Ø 4 mm



70 mm



[www.velux.com](http://www.velux.com)

