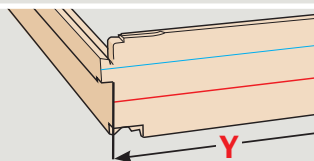
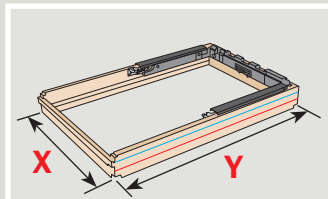
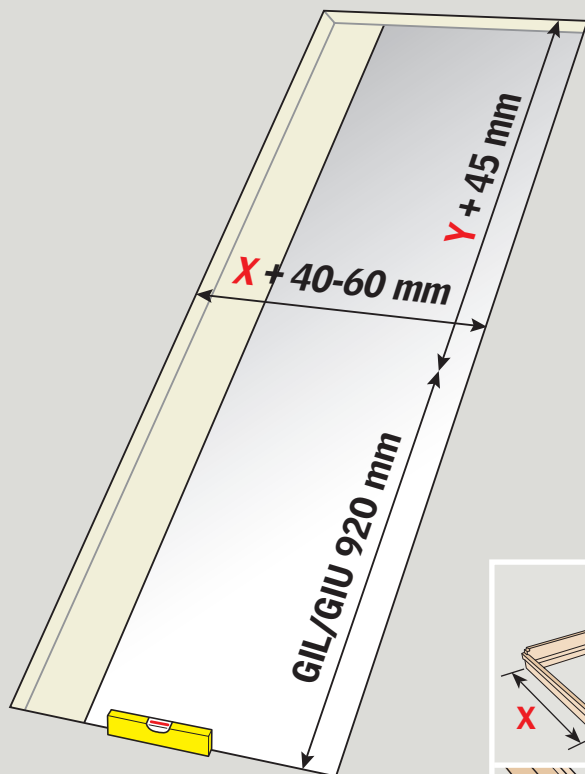


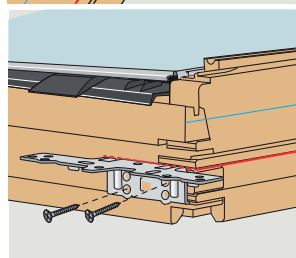
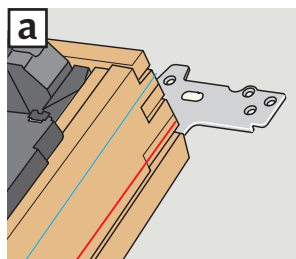
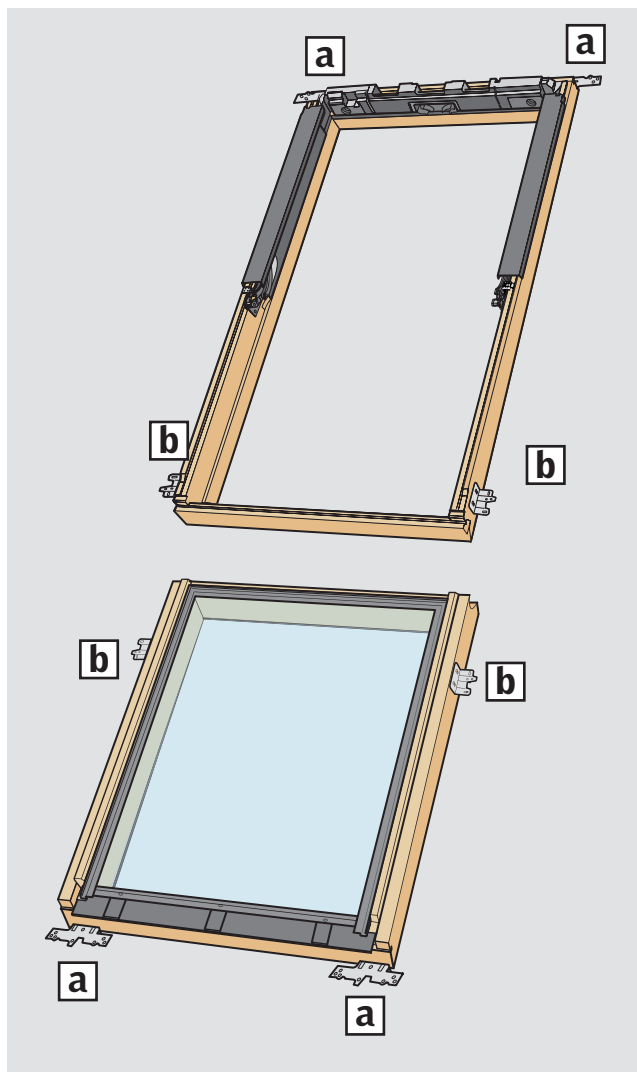
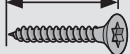
# ZWC GIL/GIU

**1**

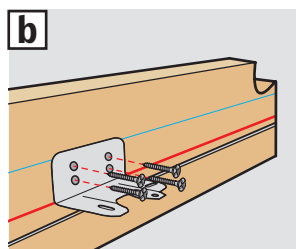
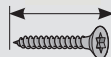
2



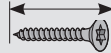
30 mm

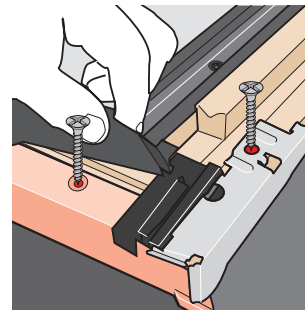
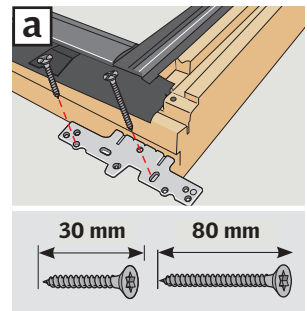
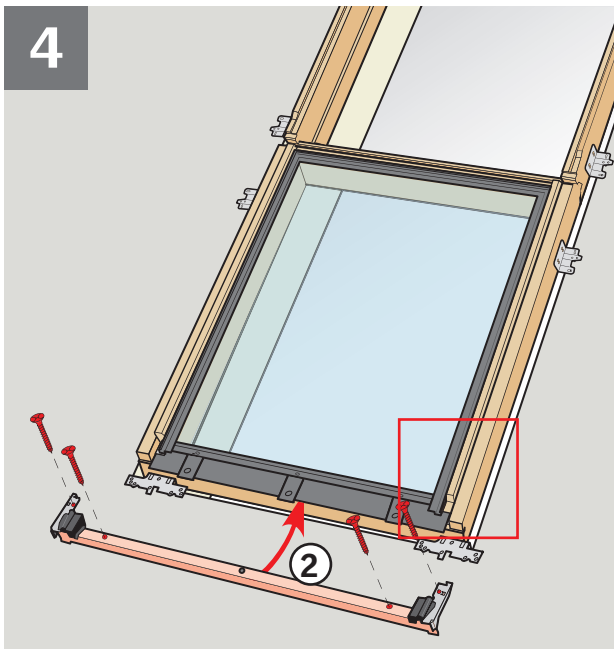
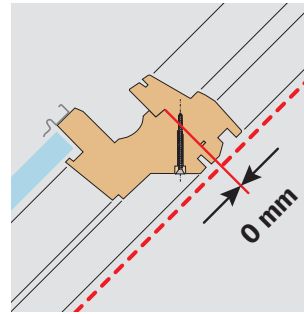
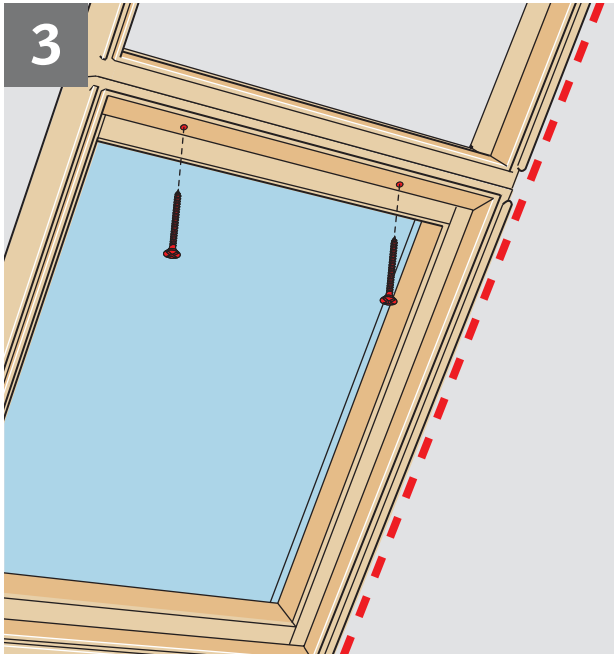


30 mm

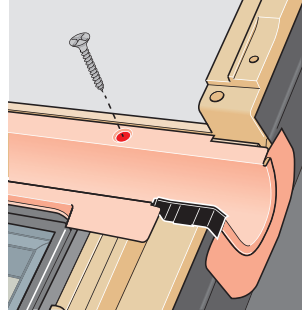
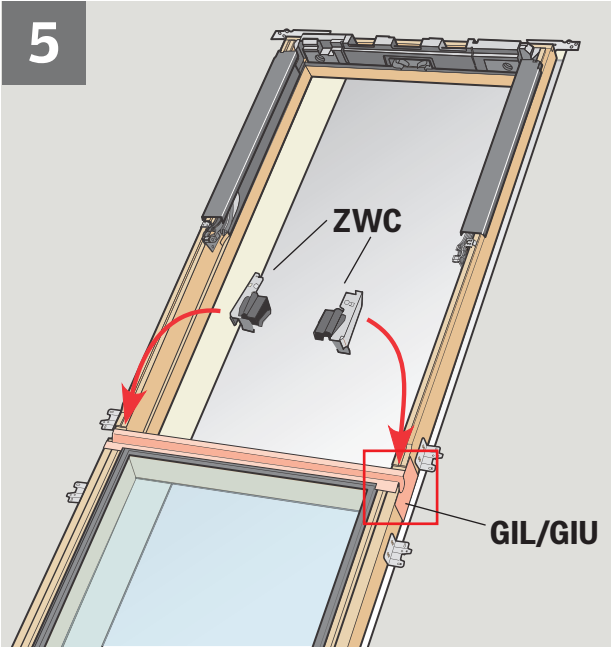


30 mm

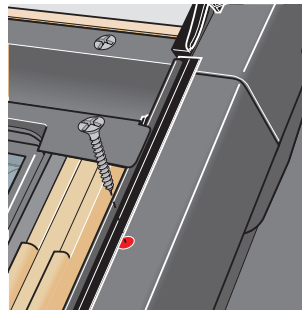
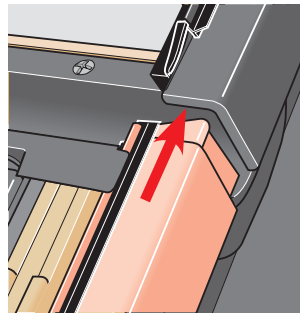
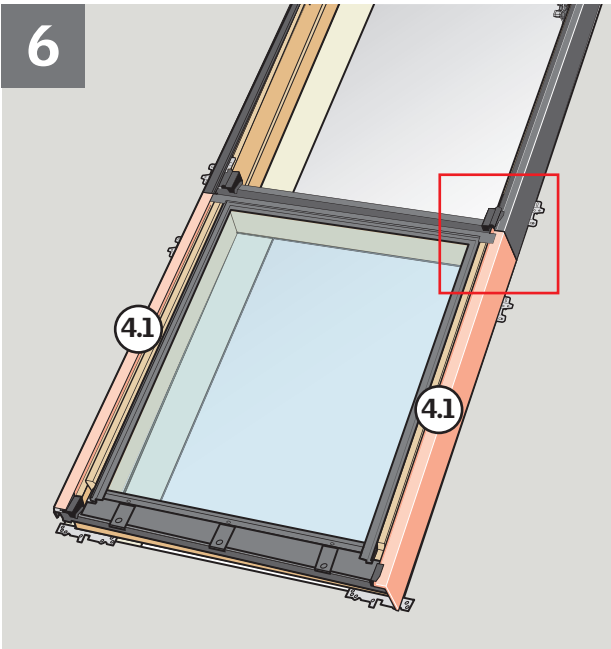




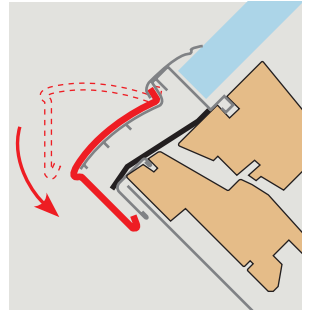
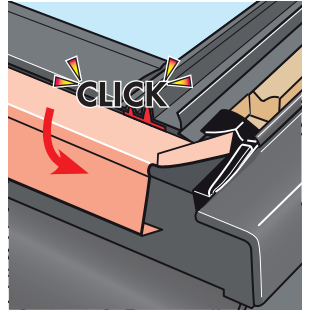
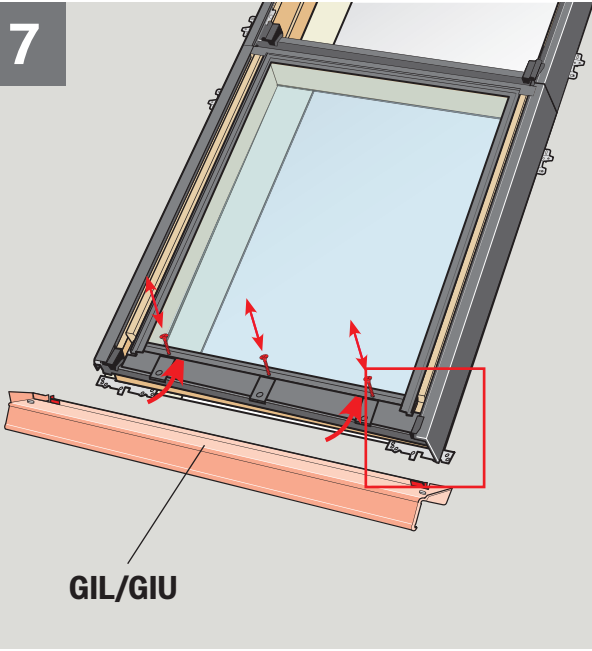
5



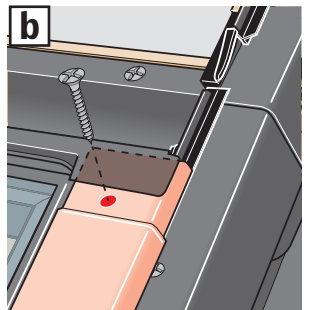
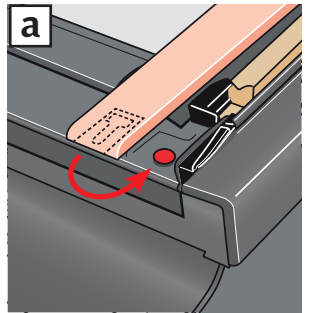
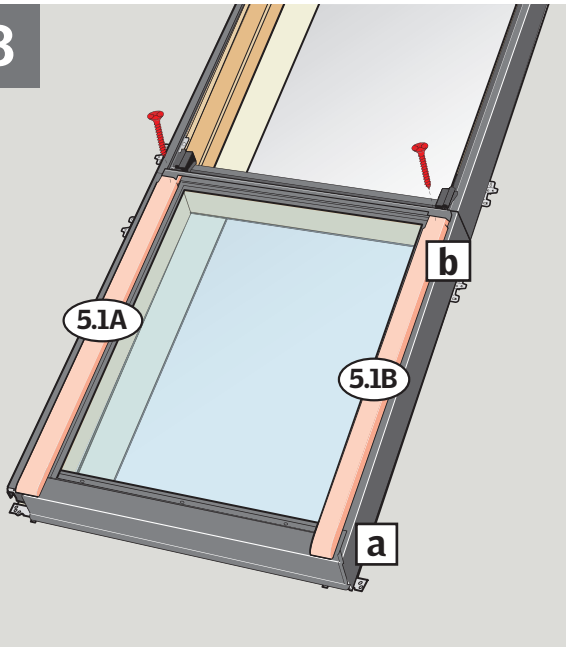
6



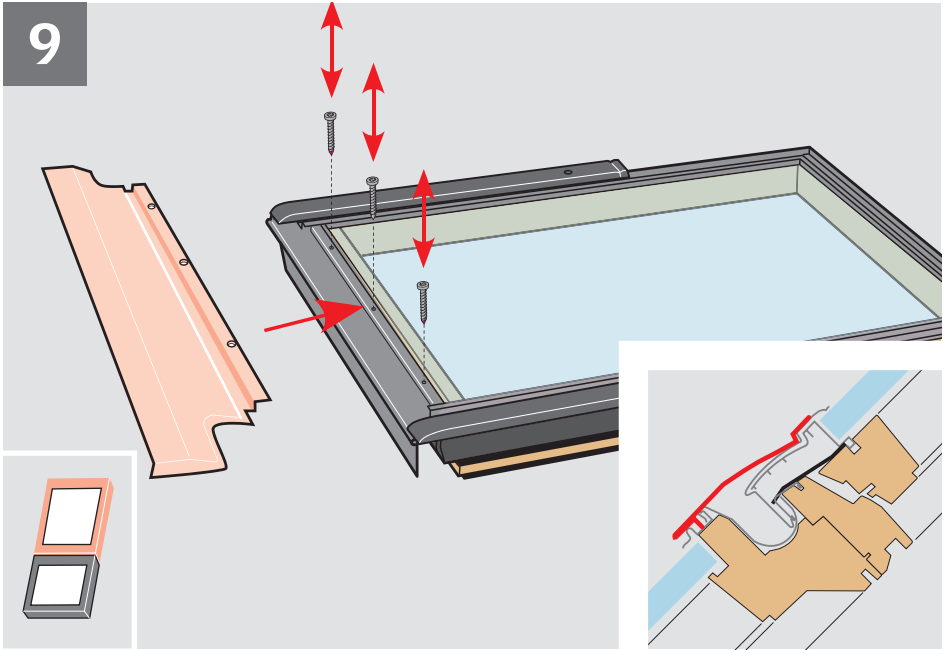
7



8



9



10

