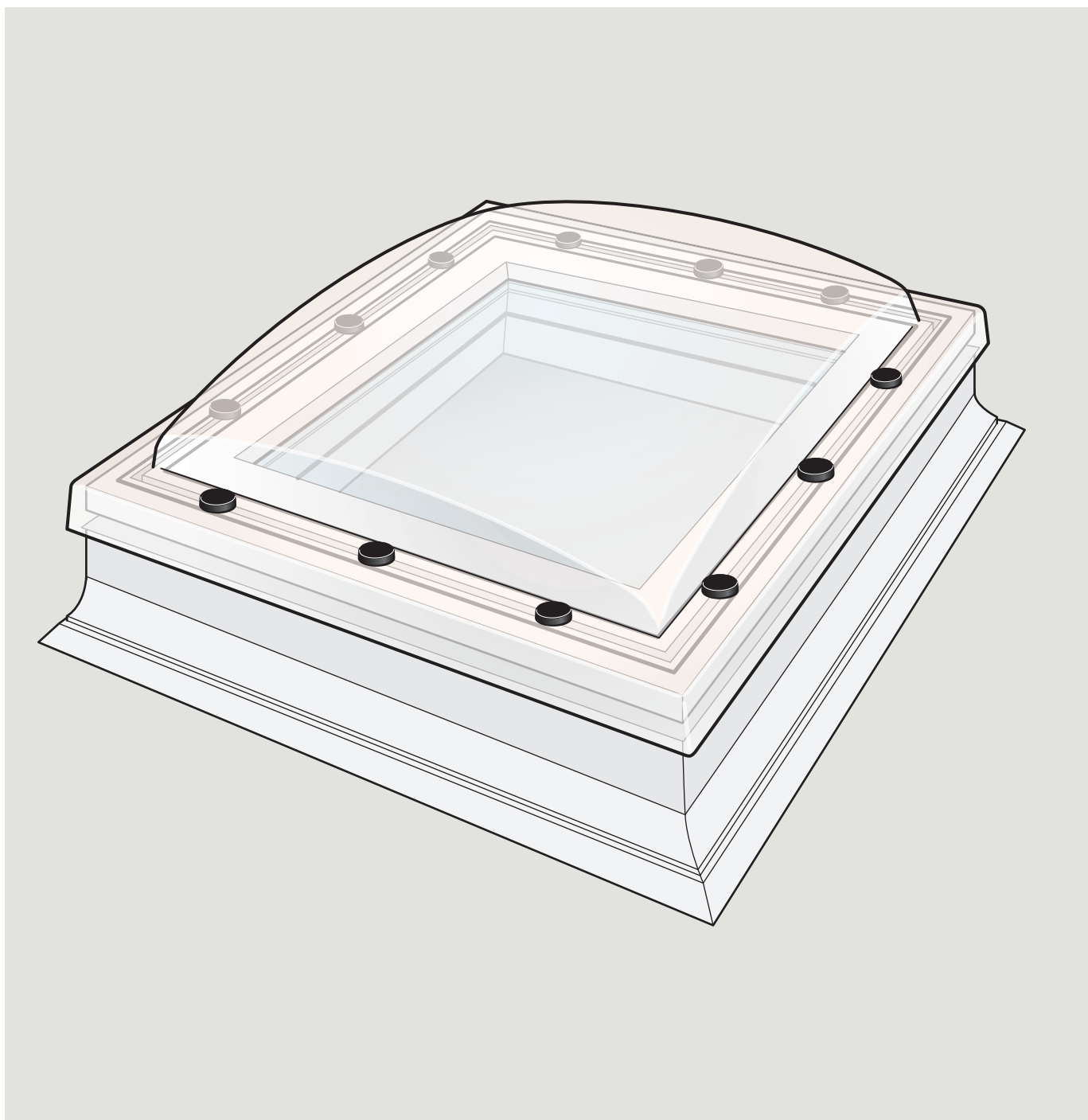
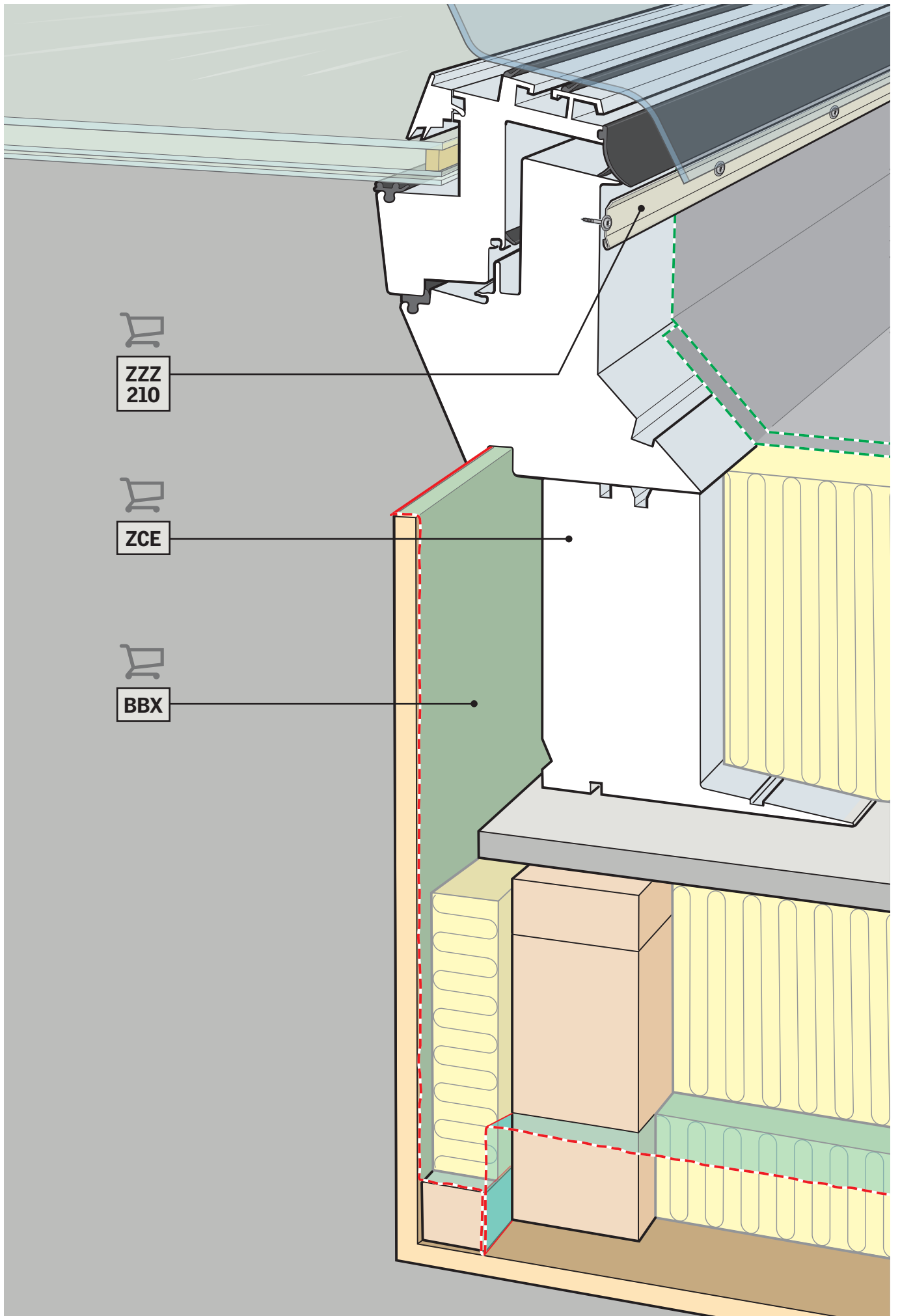
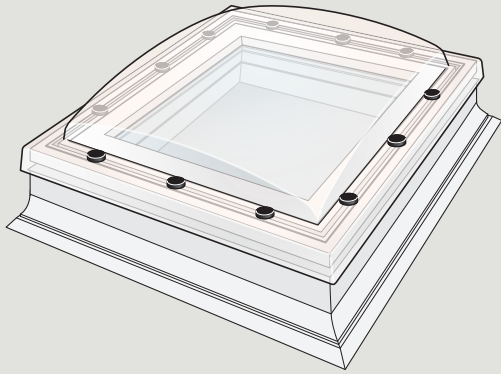


CXP + ISD
CXP + ZCE + ISD

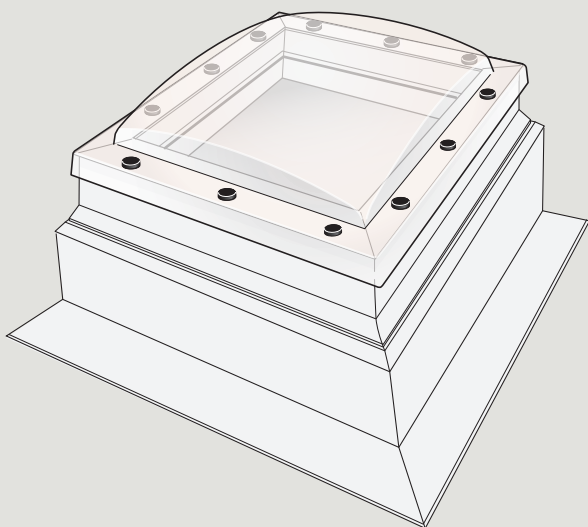






CXP+ISD

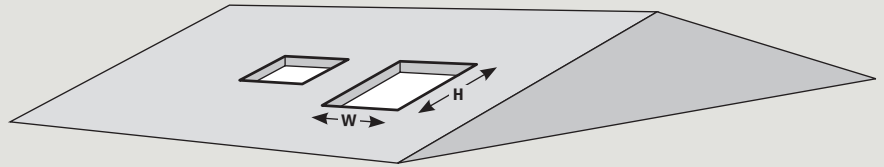
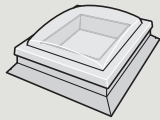
**Pages
4-9**



CXP + ZCE + ISD

**Pages
10-19**

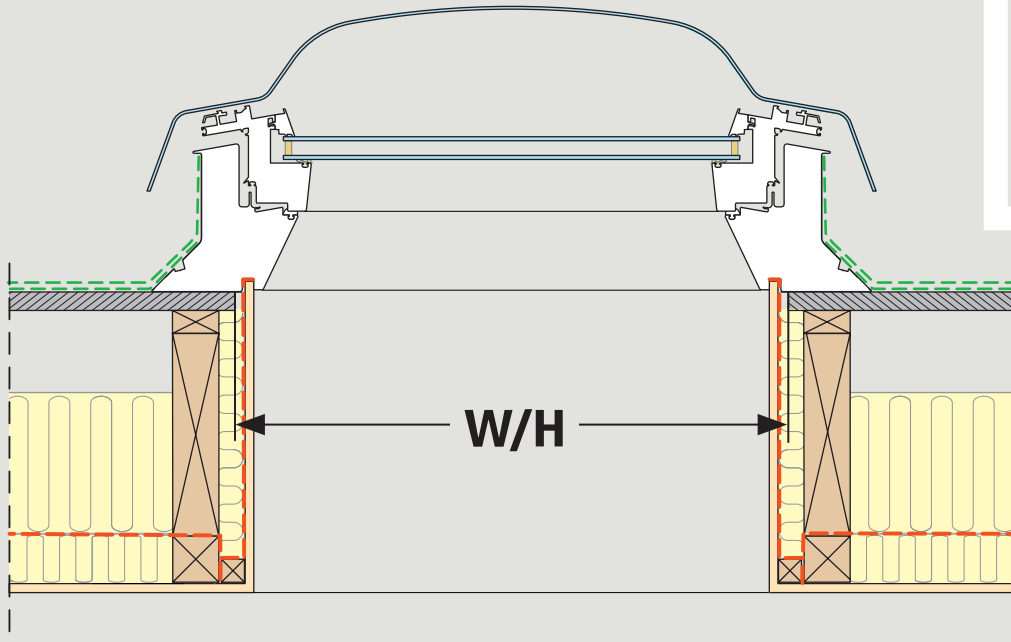
1



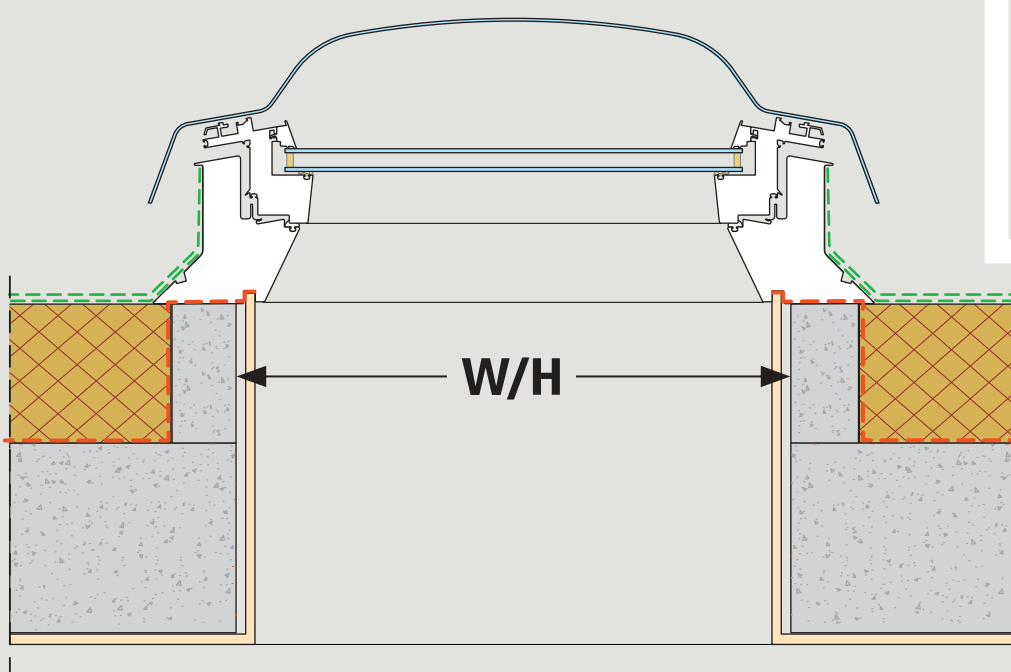
CXP	W mm	H mm
090120	900-910	1200-1210
100100	1000-1010	1000-1010
120120	1200-1210	1200-1210

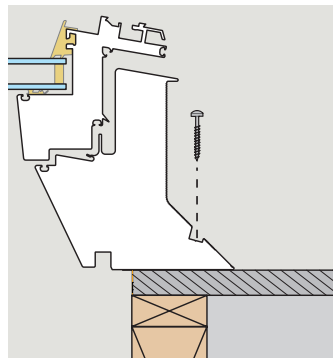
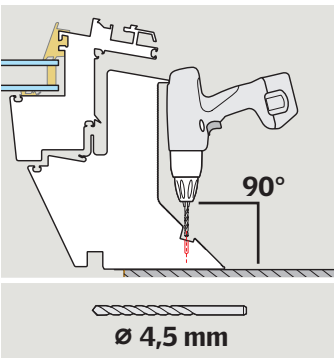
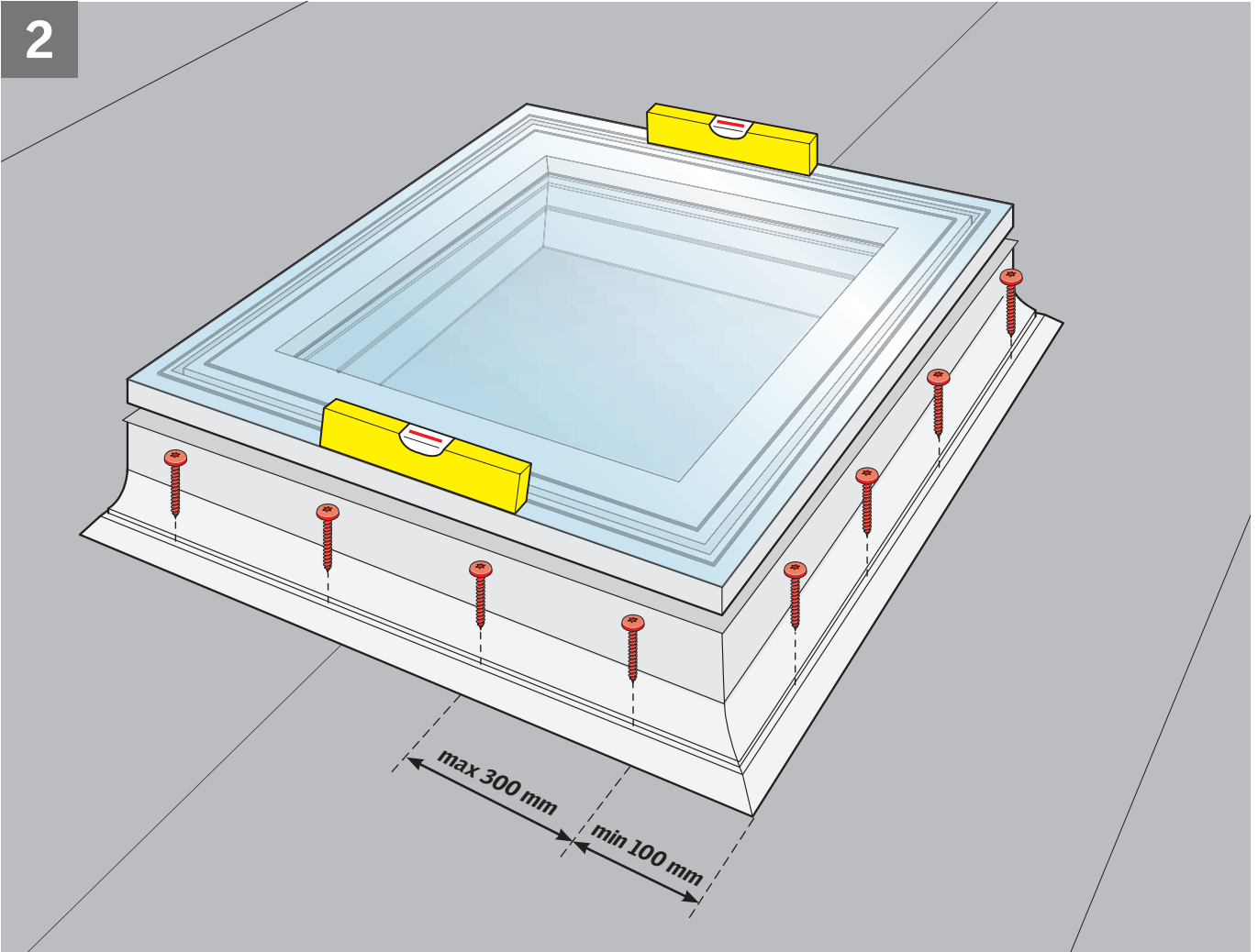
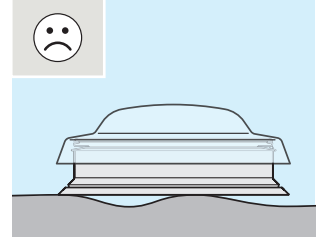
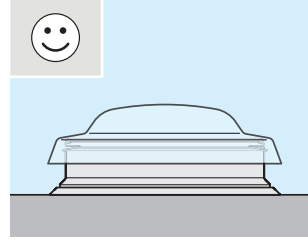
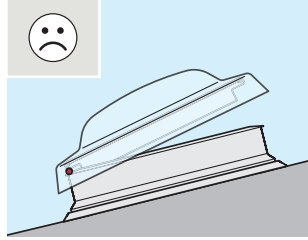
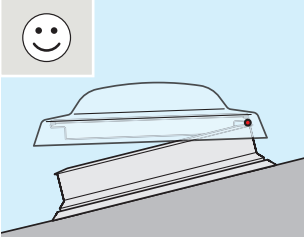


BBX

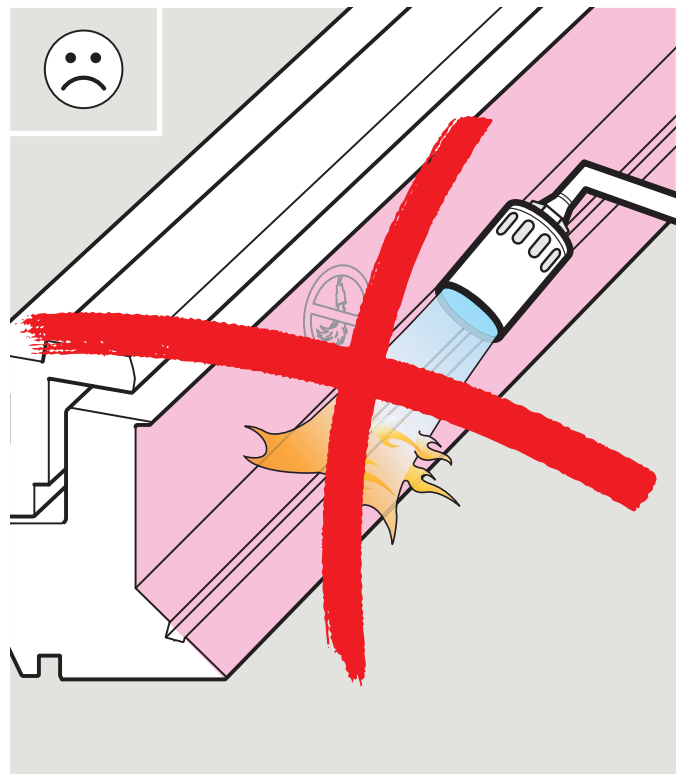
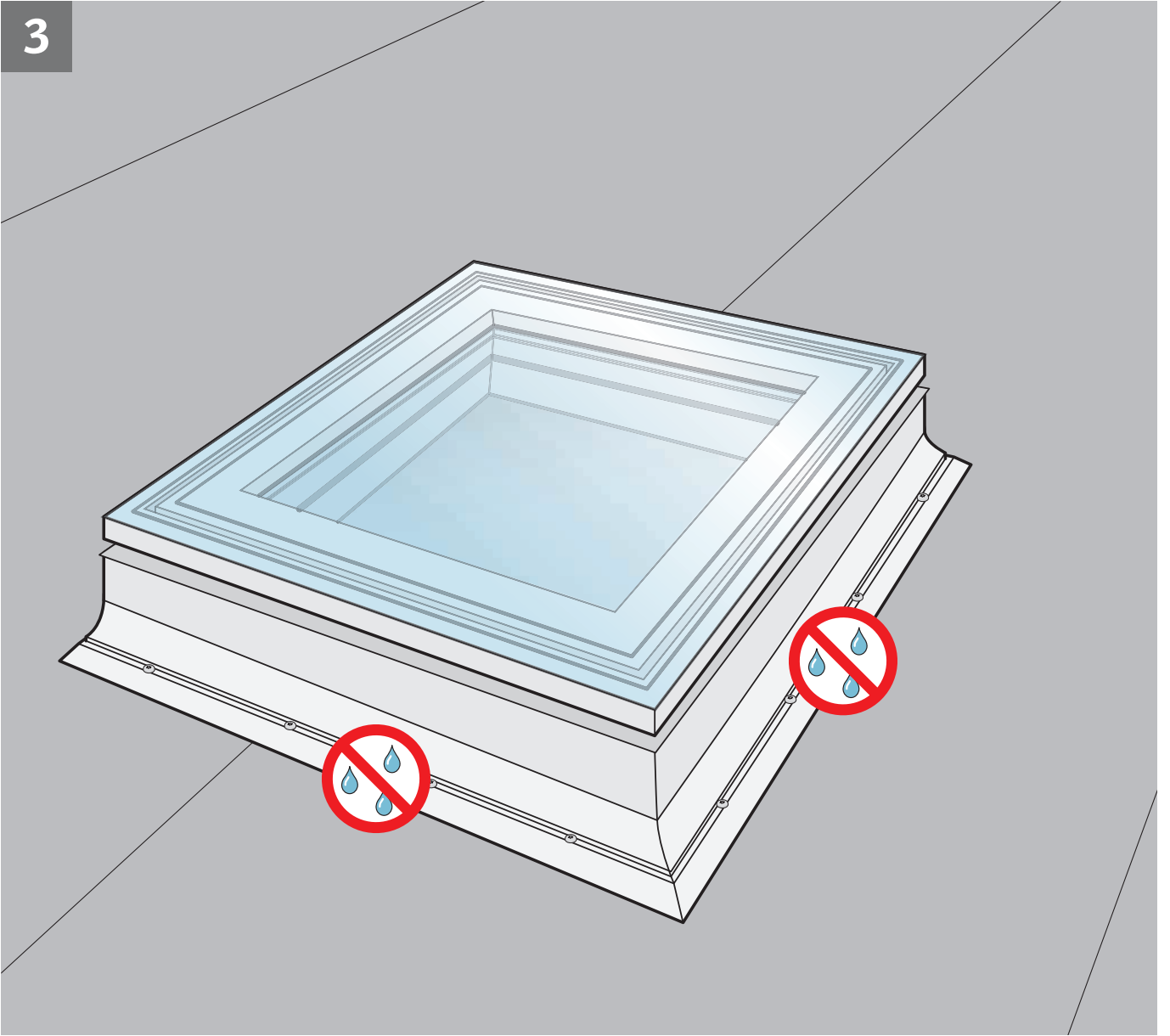


BBX

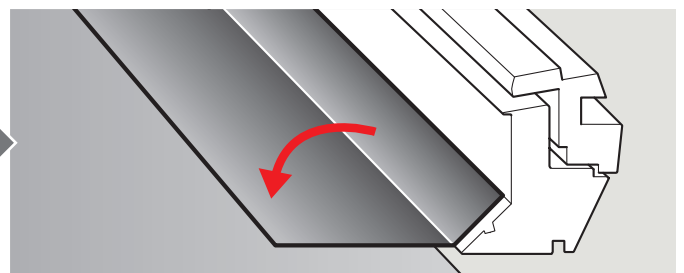
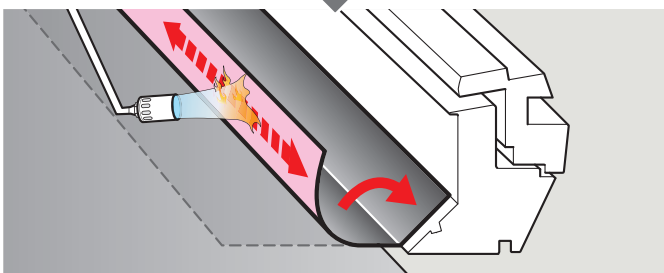
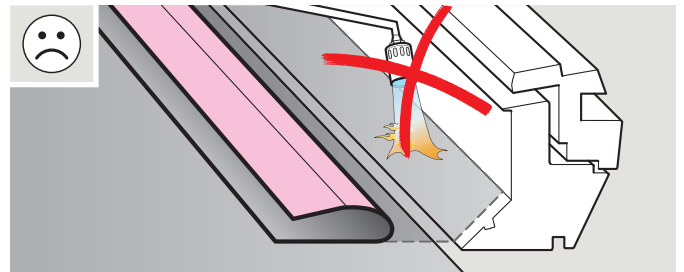
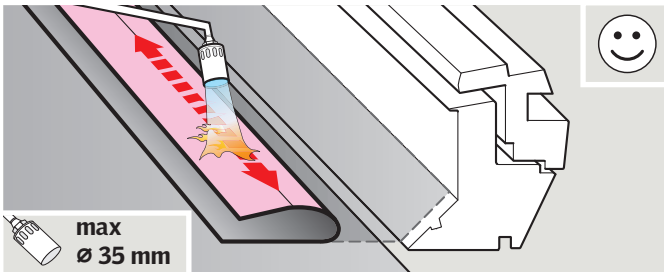
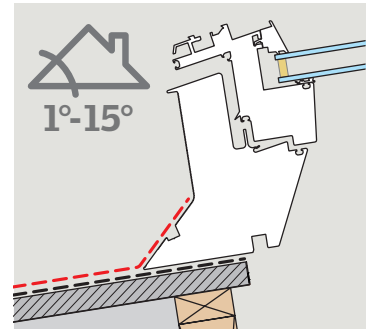
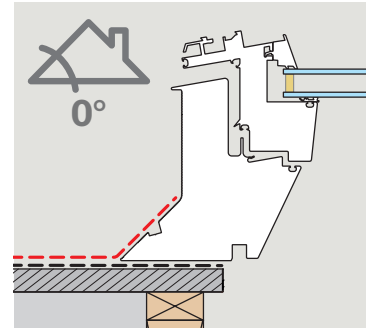
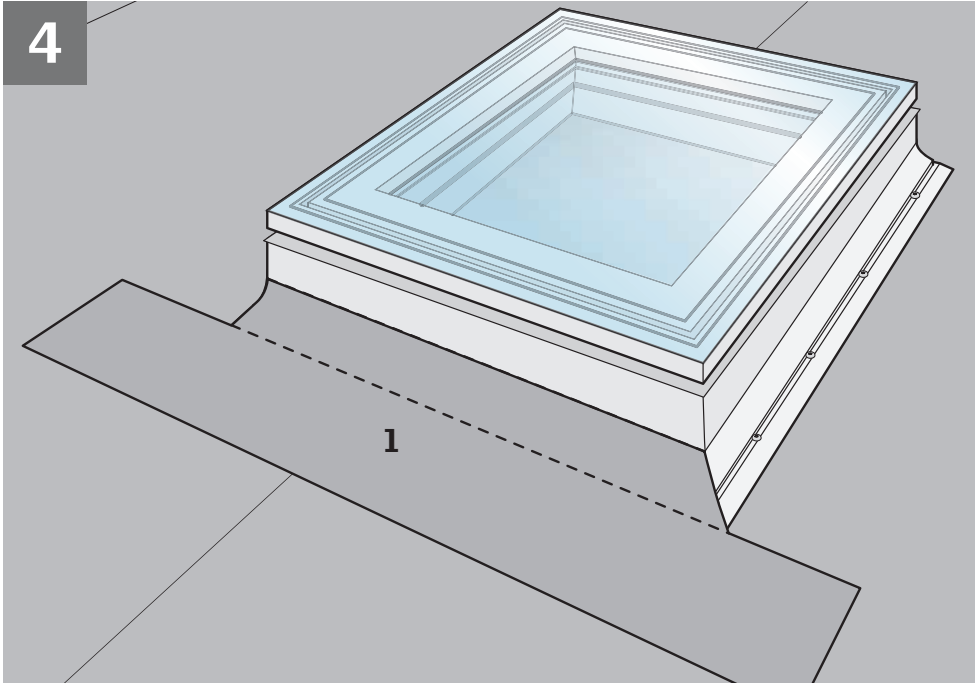




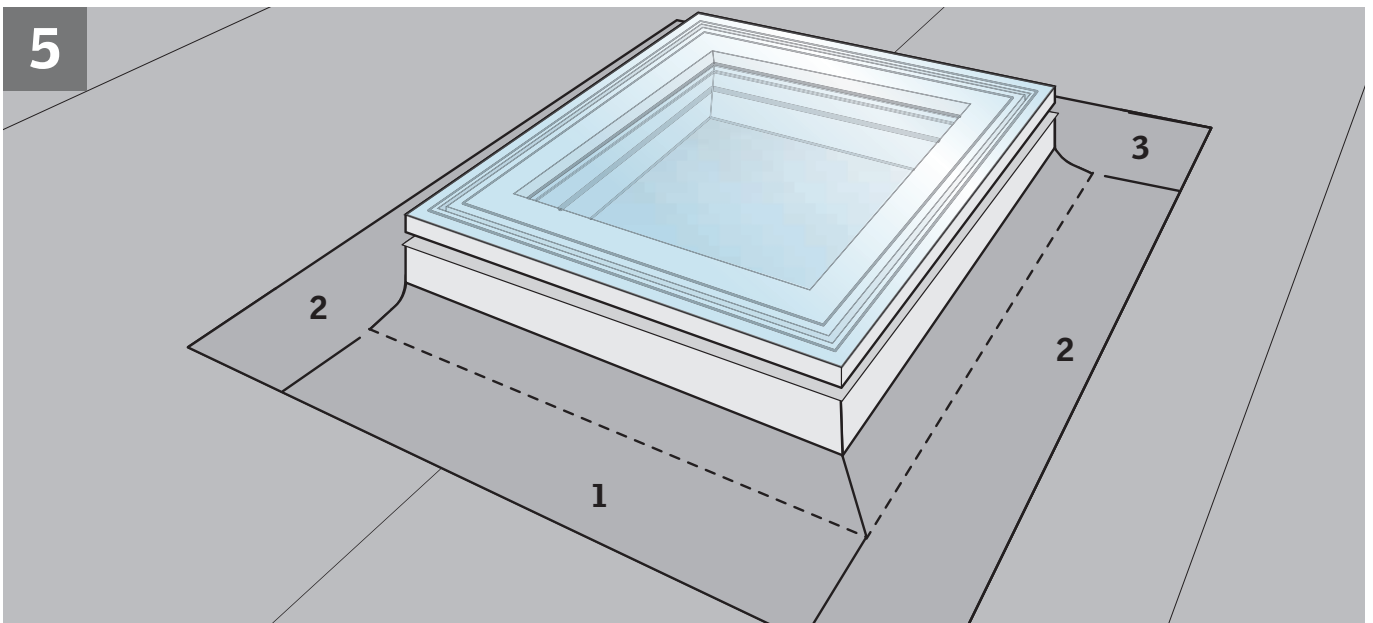
3



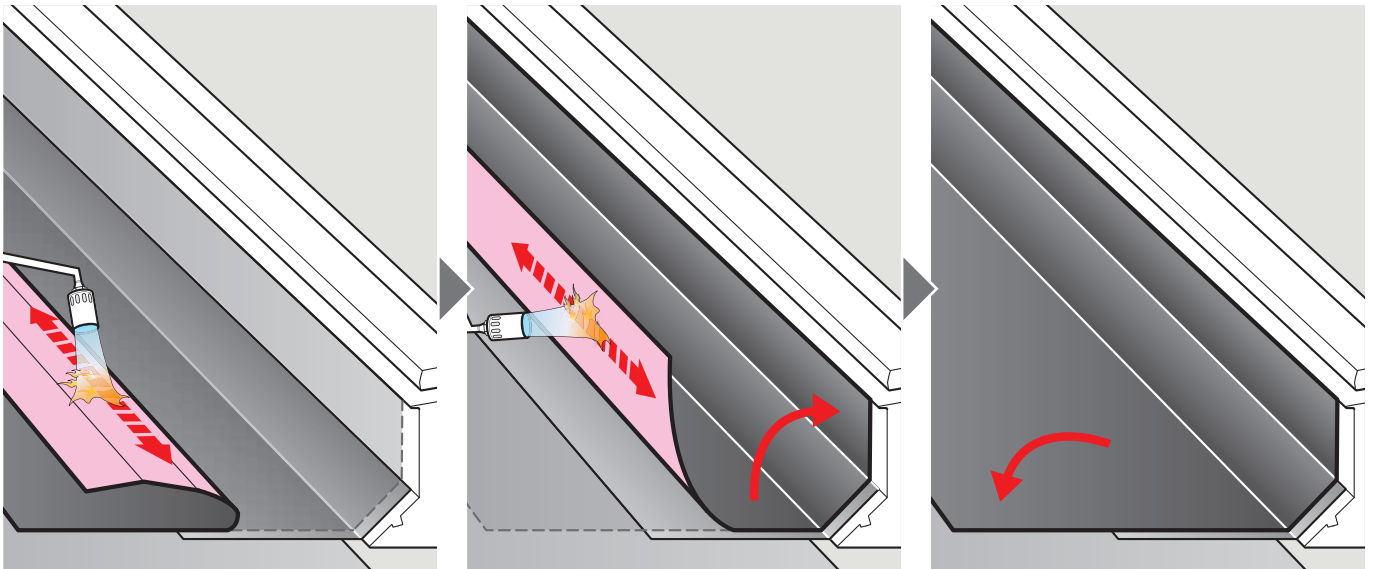
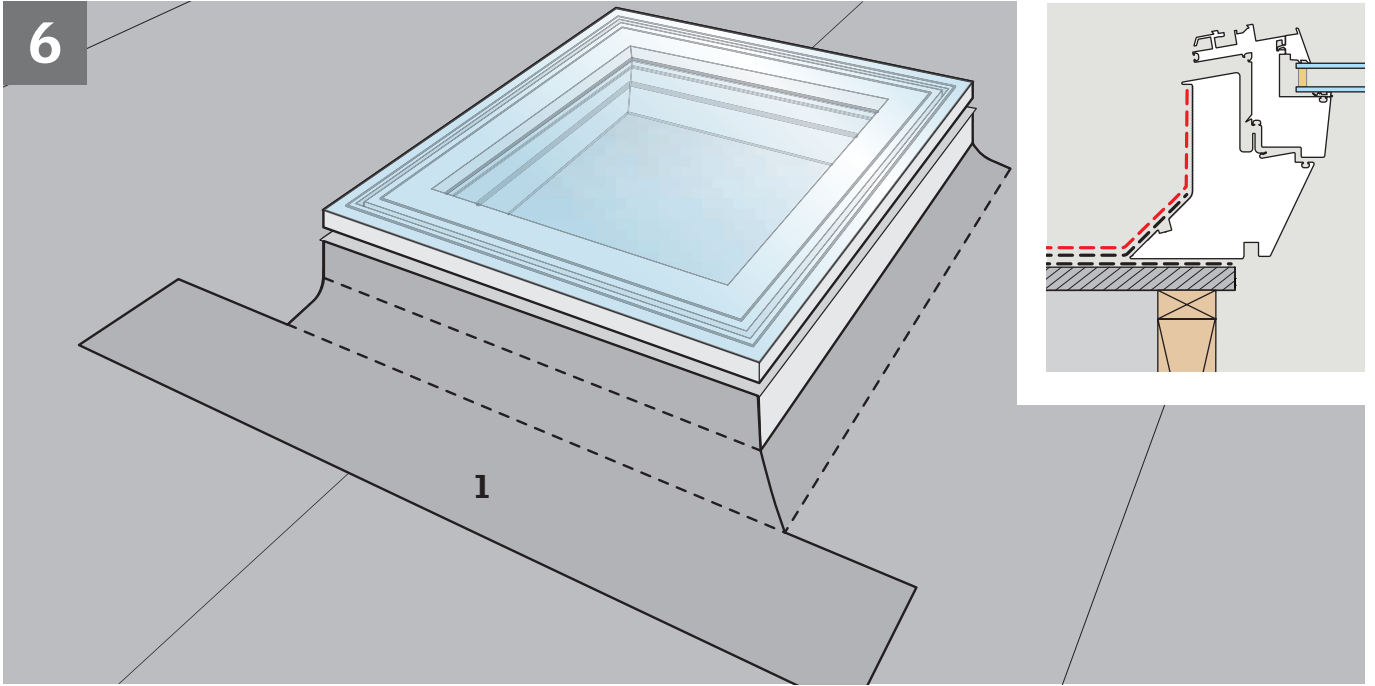
4



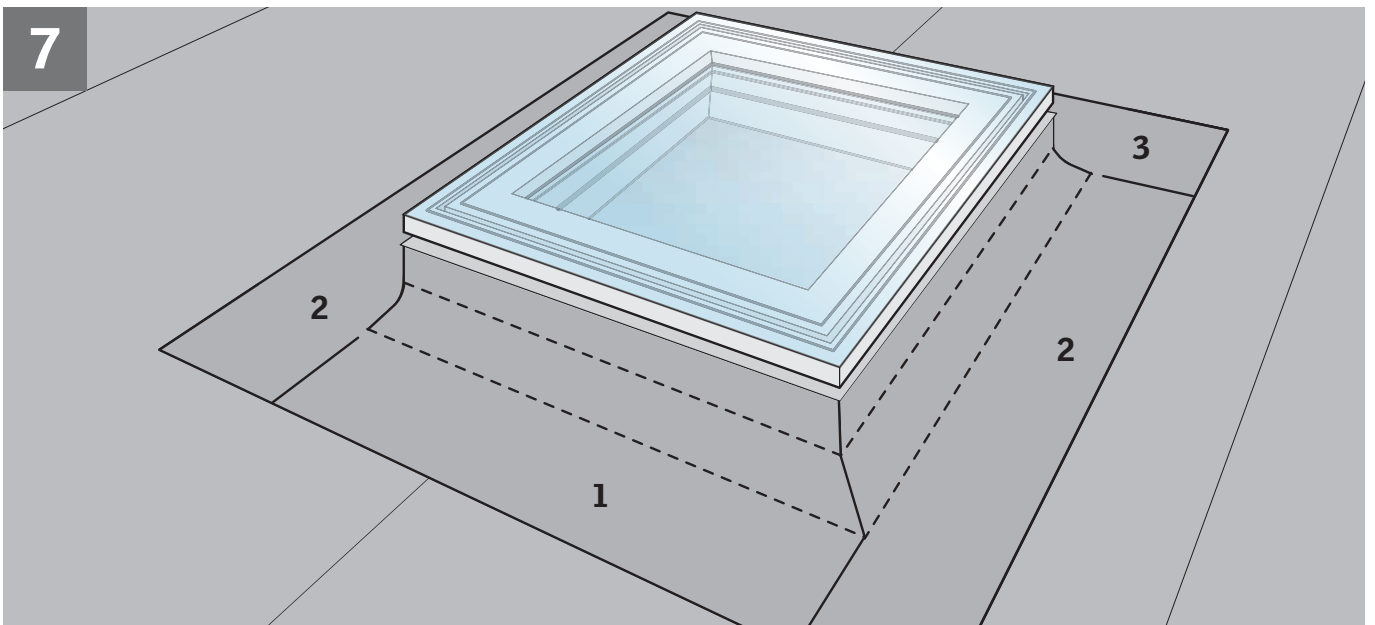
5



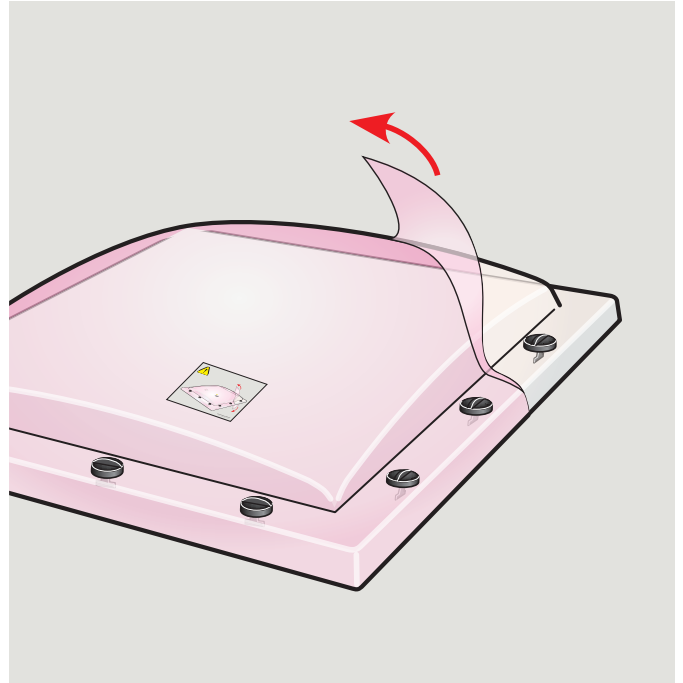
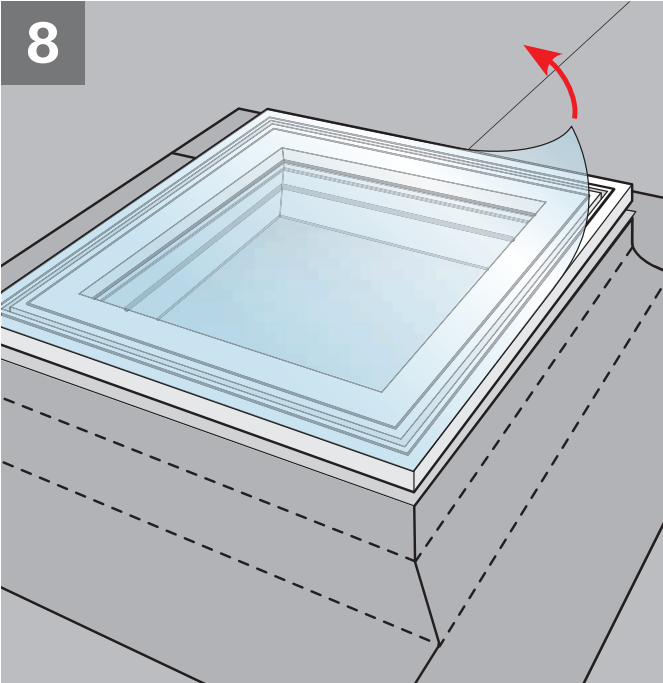
6



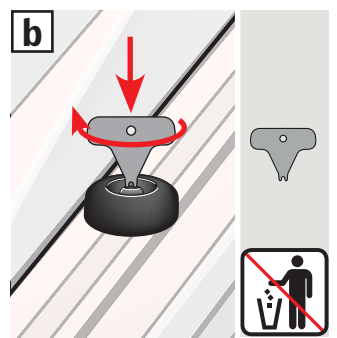
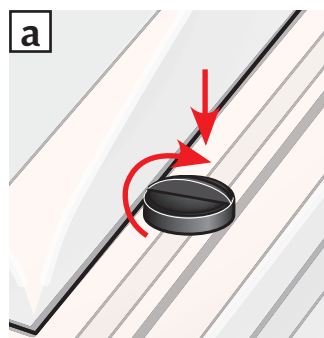
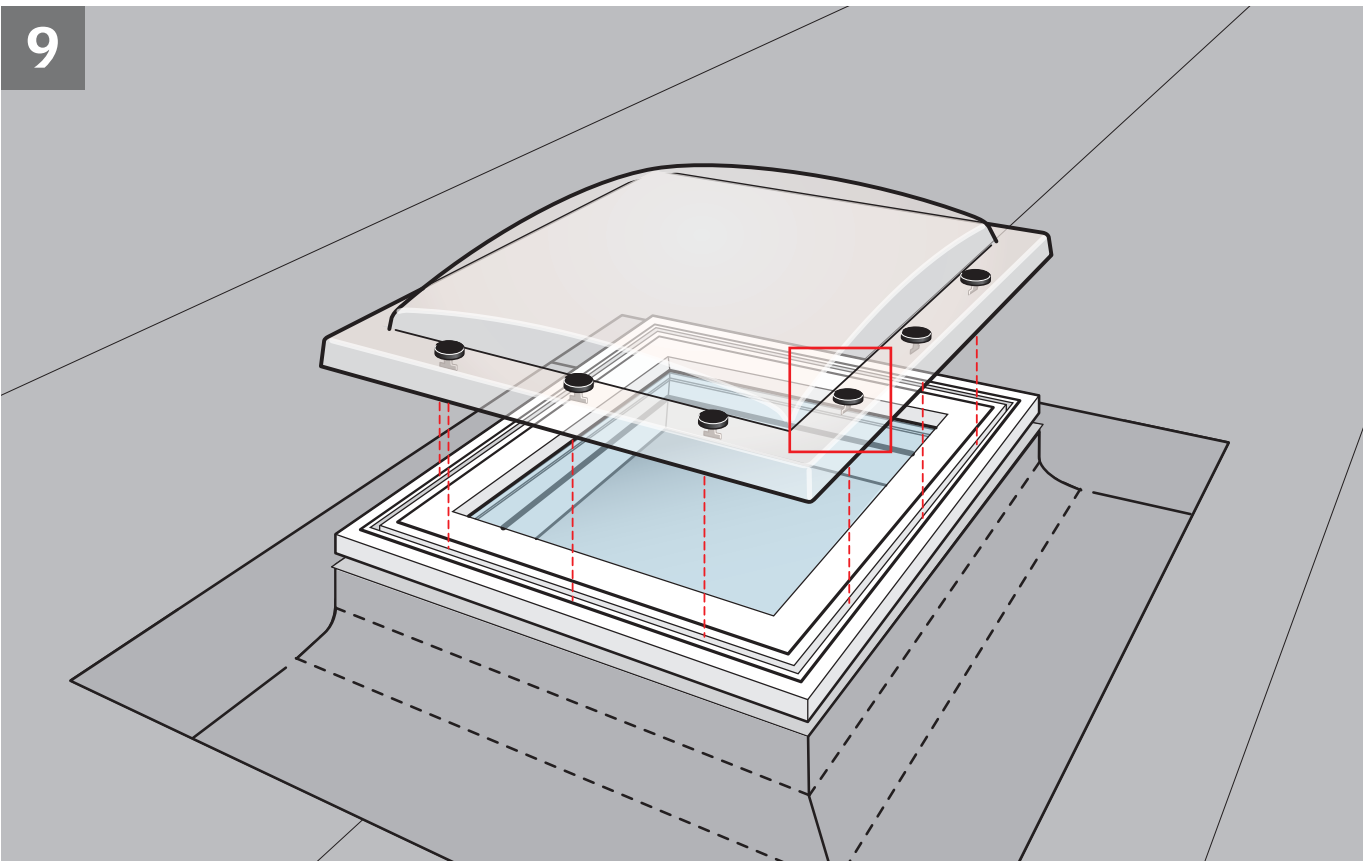
7



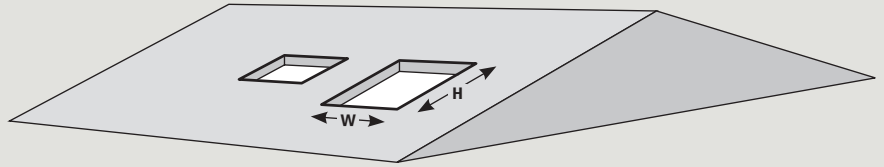
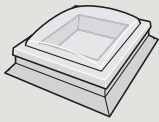
8



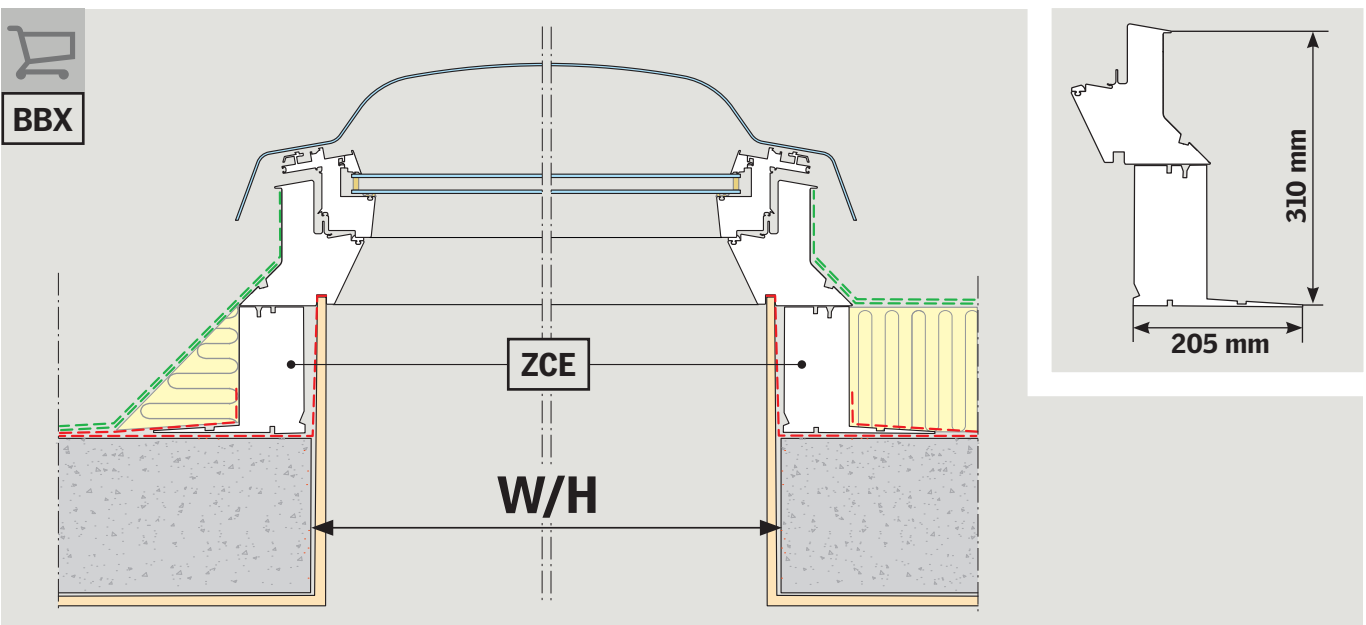
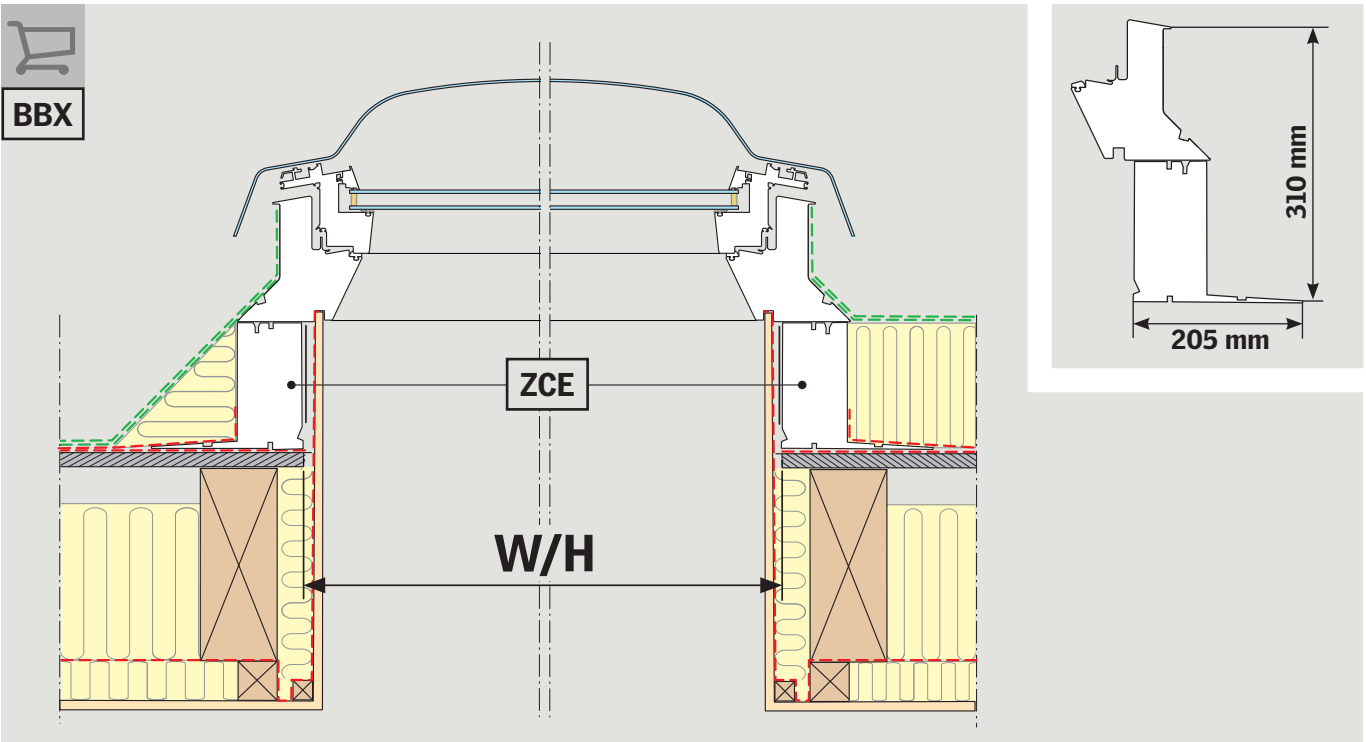
9



1a



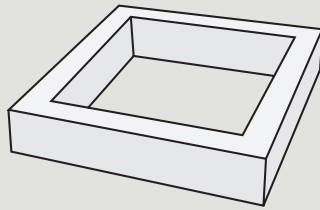
CXP	W mm	H mm
090120	900-910	1200-1210
100100	1000-1010	1000-1010
120120	1200-1210	1200-1210



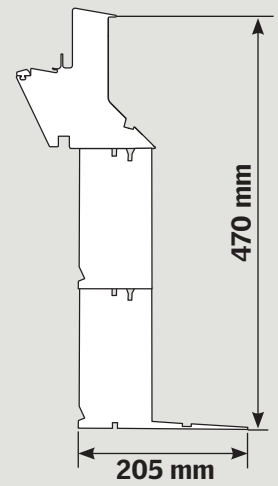
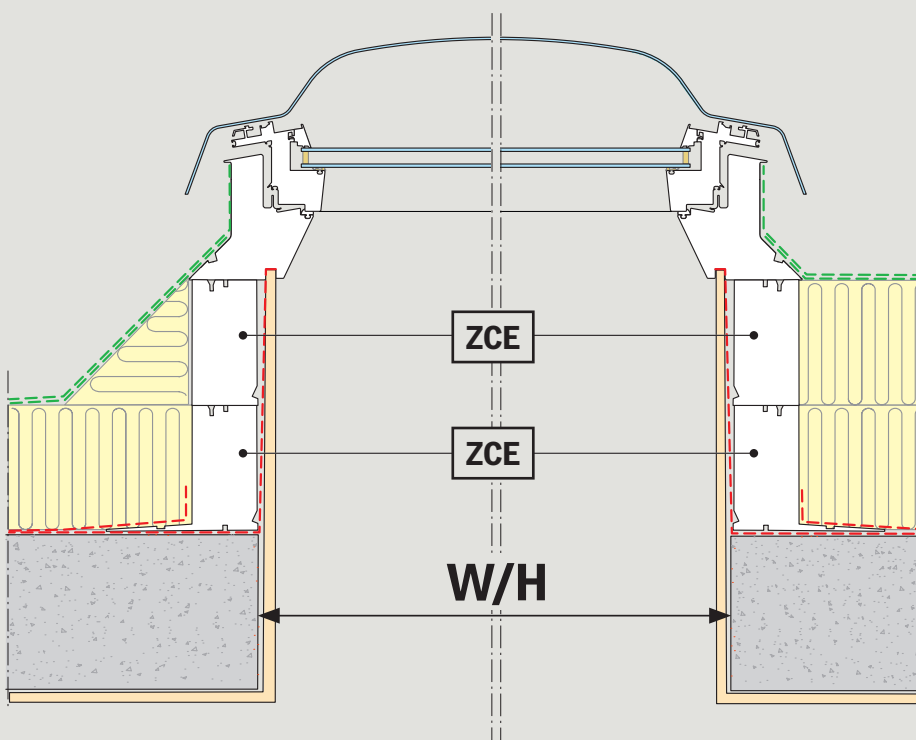
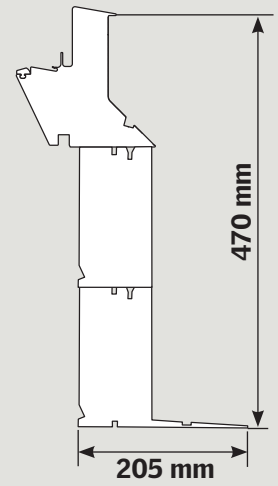
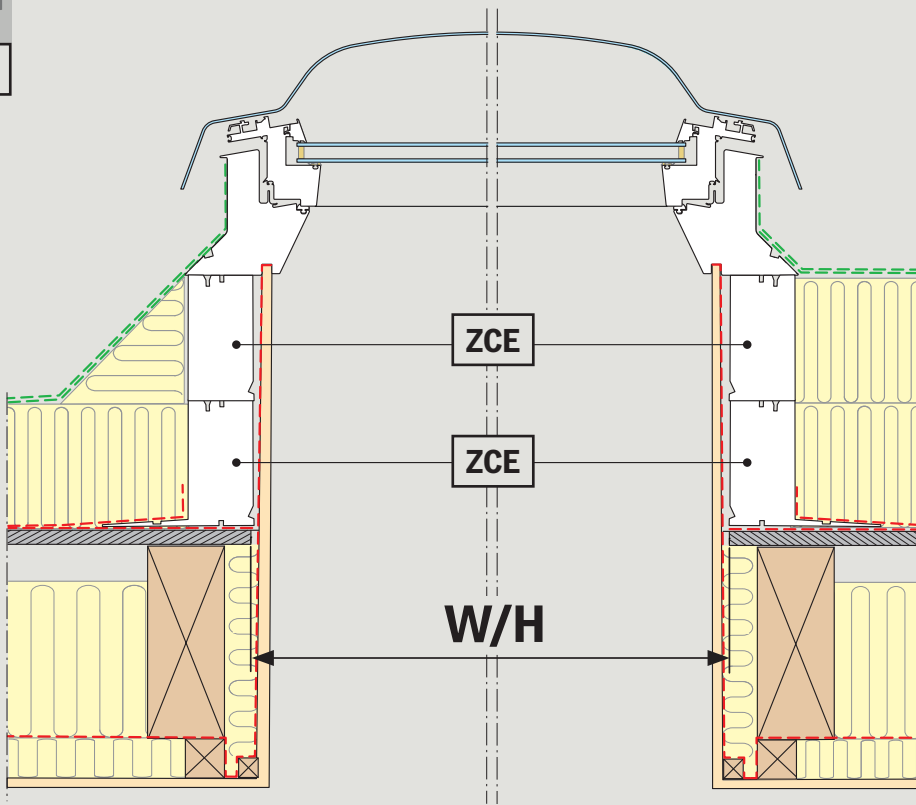
1b

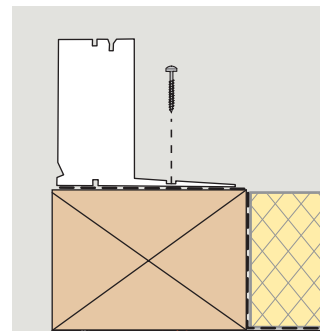
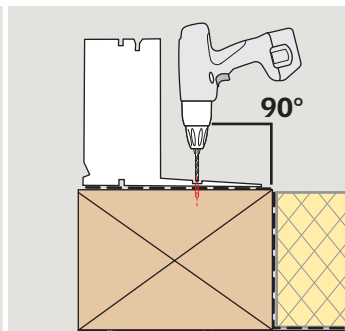
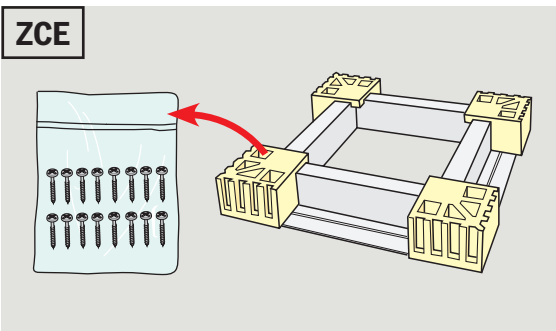
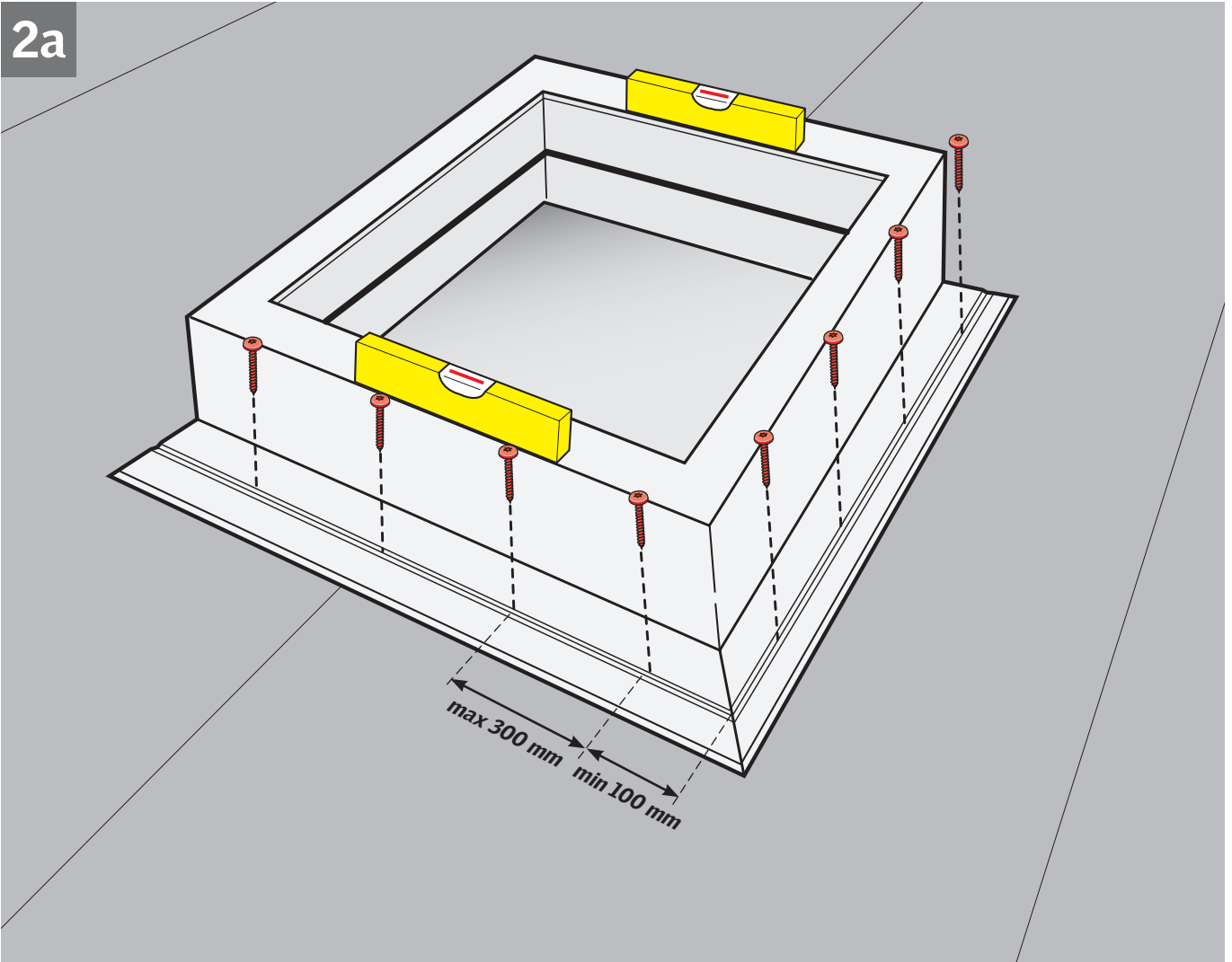
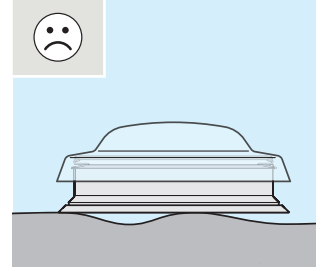
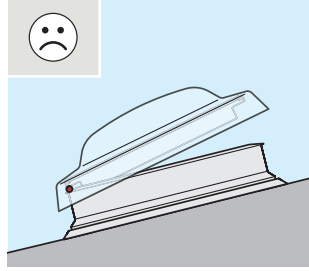
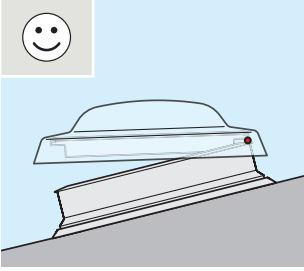


ZCE



BBX

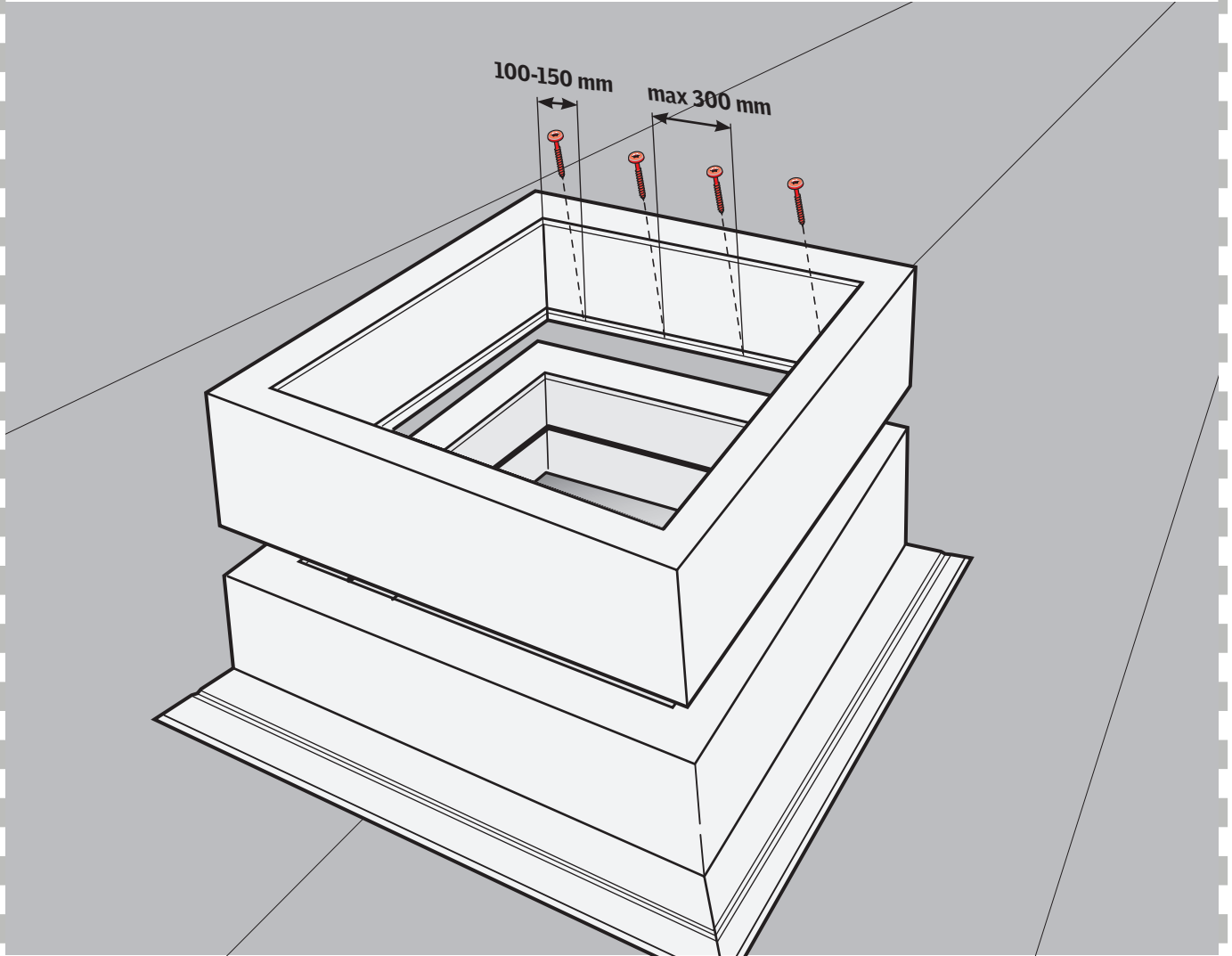
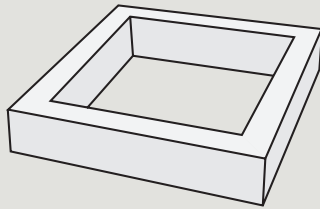




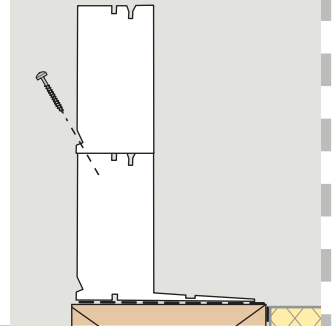
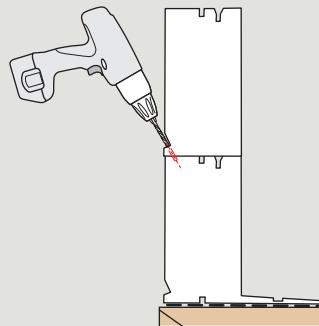
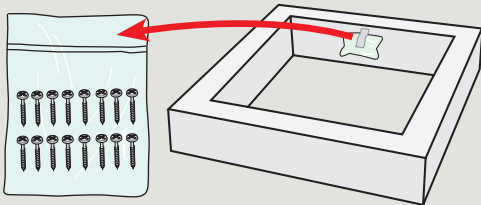
2b



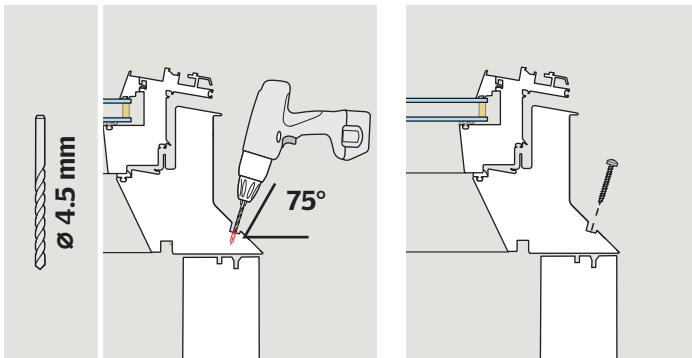
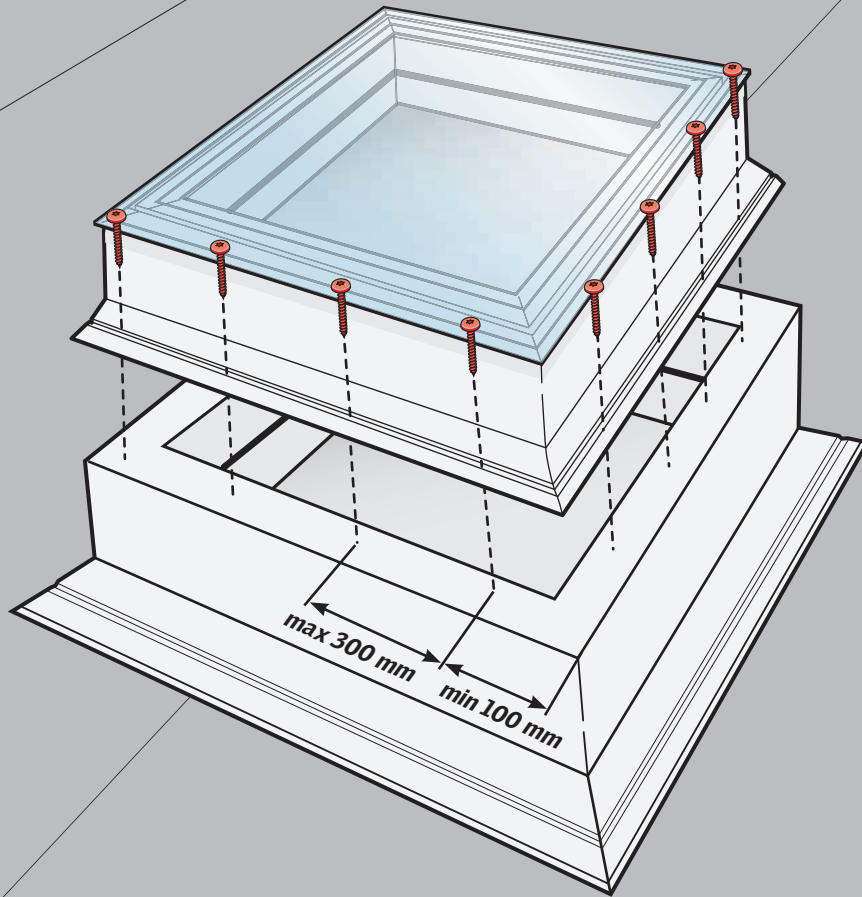
ZCE



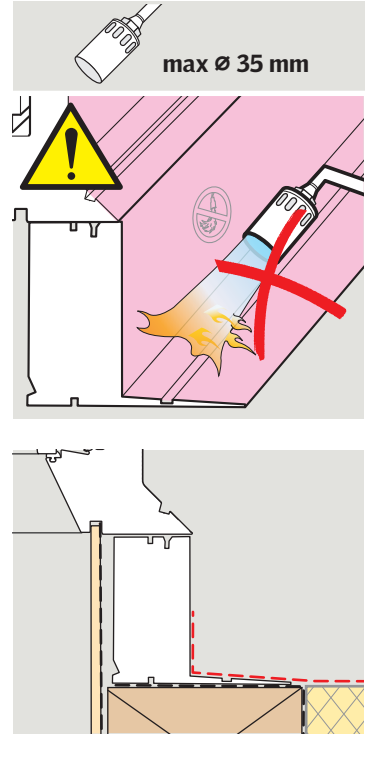
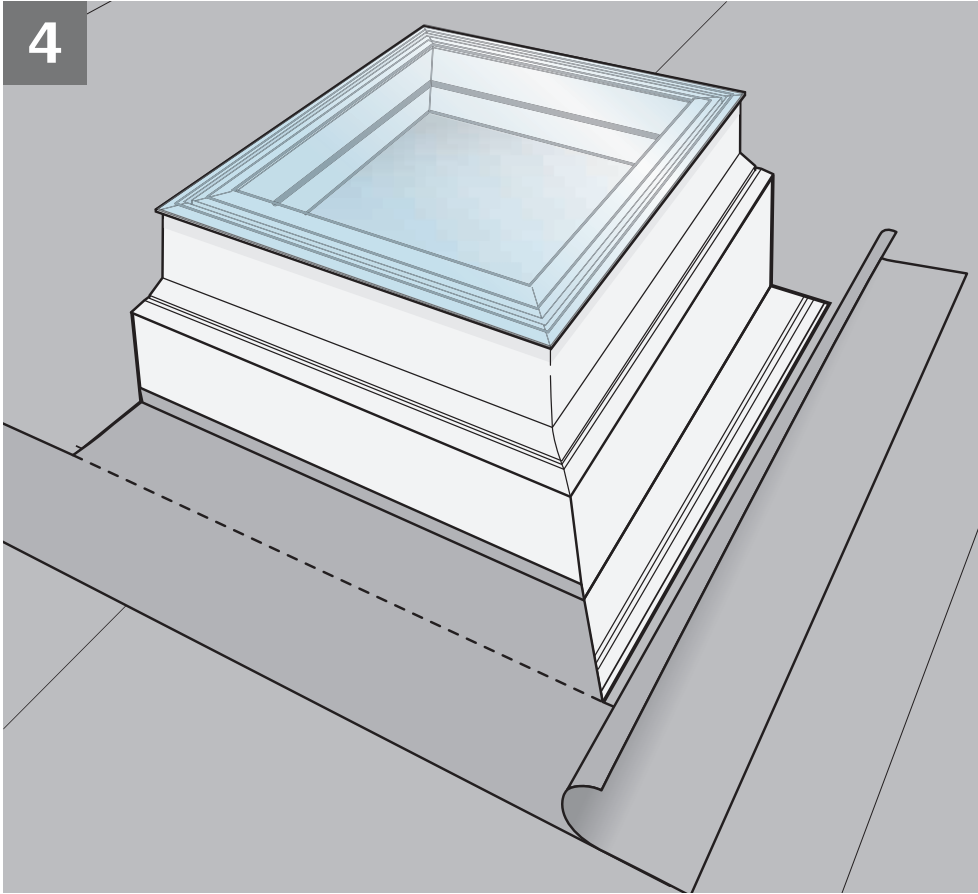
ZCE



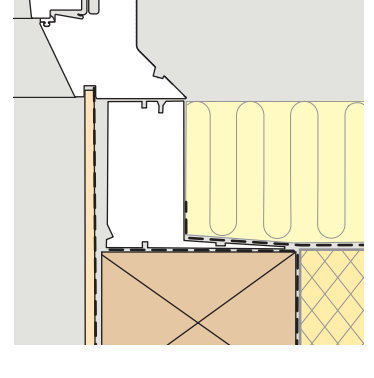
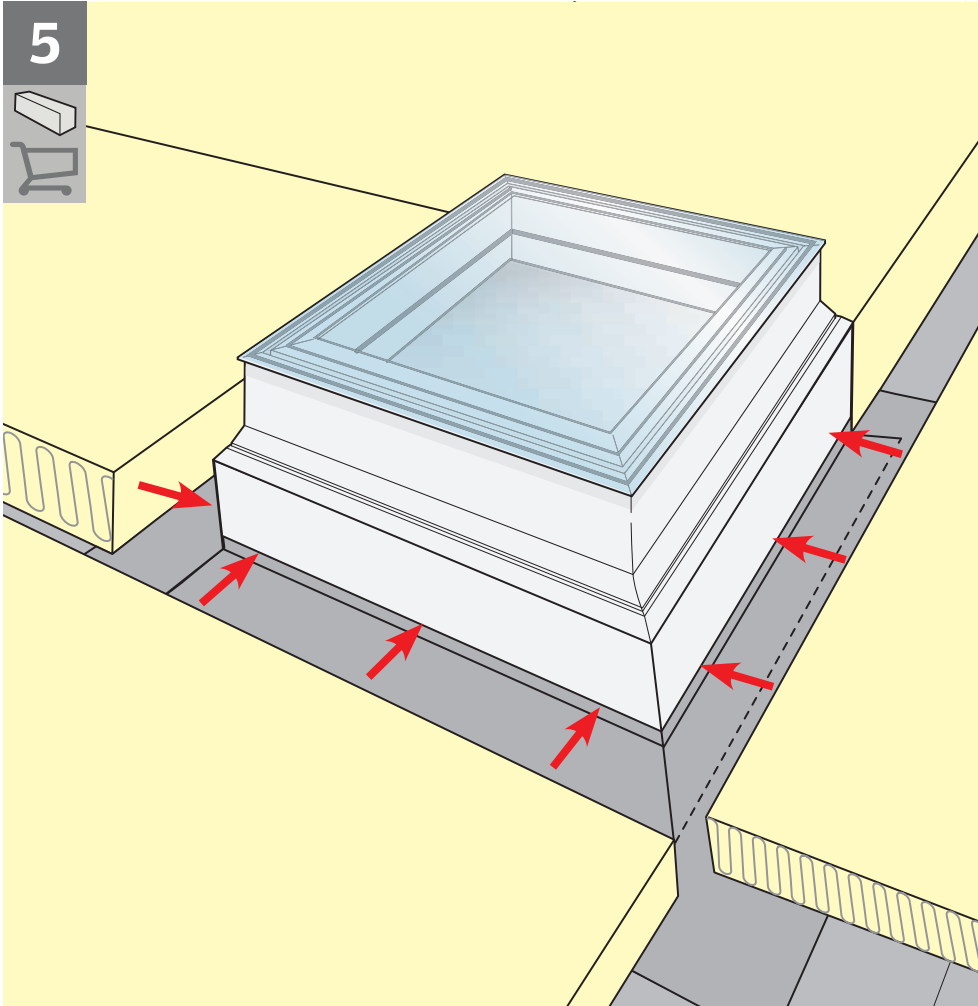
3



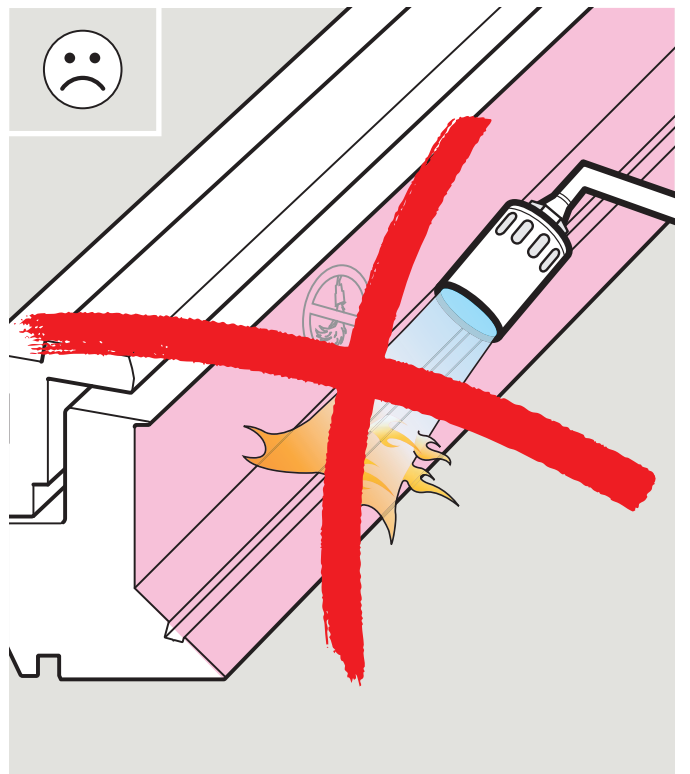
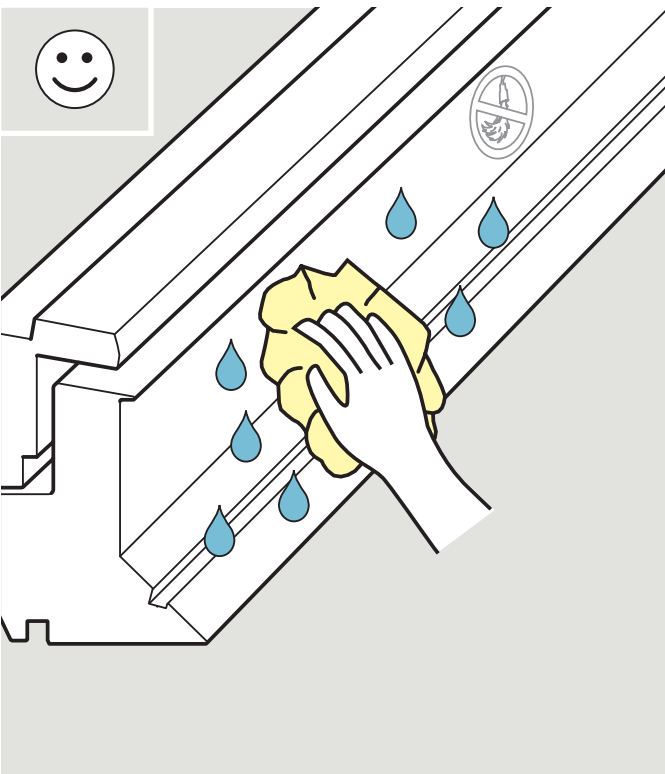
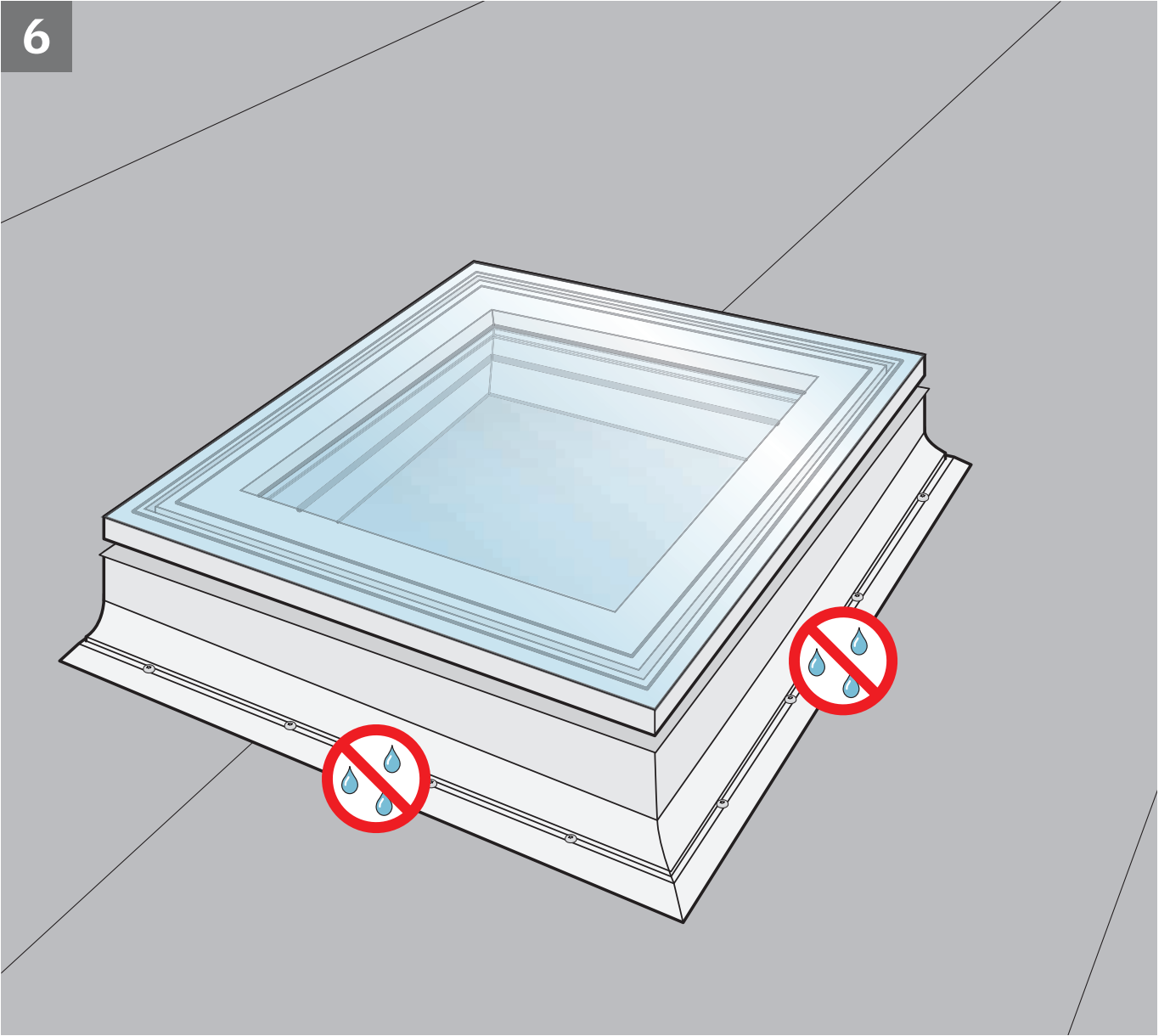
4



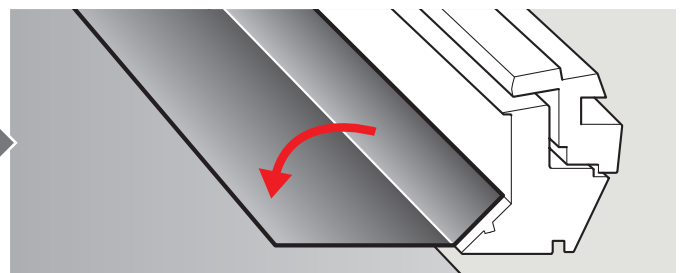
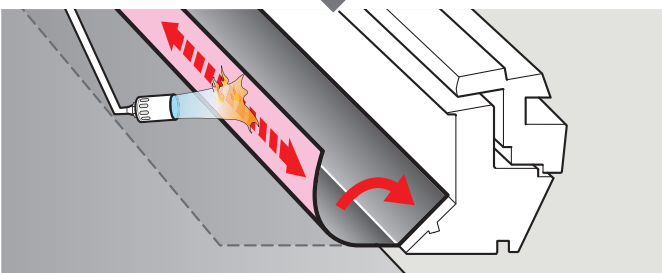
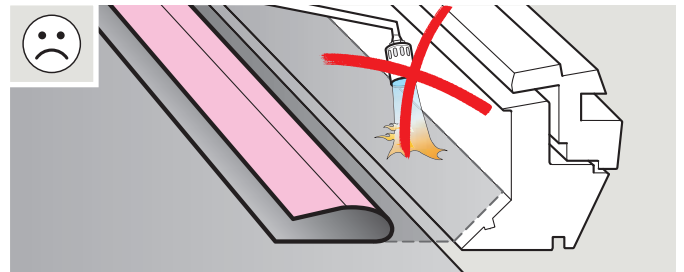
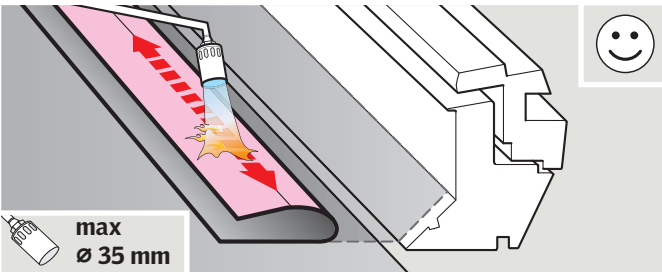
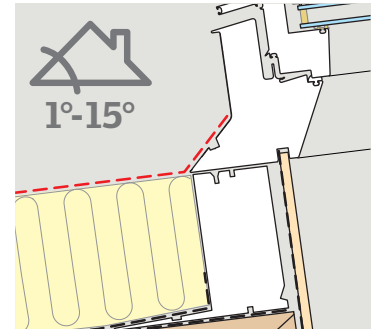
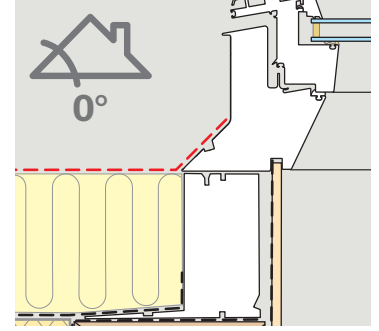
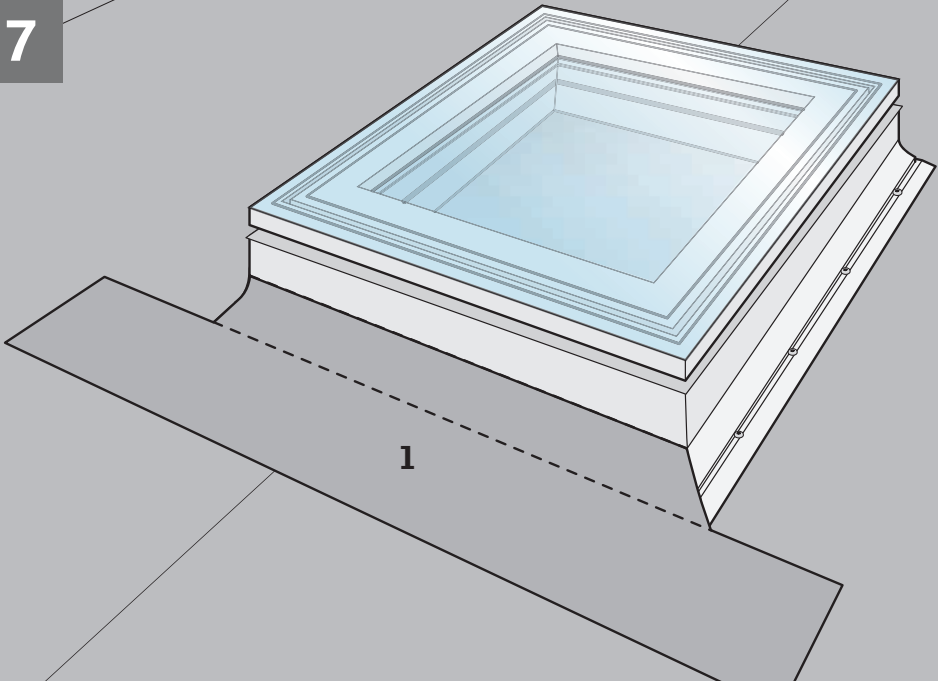
5



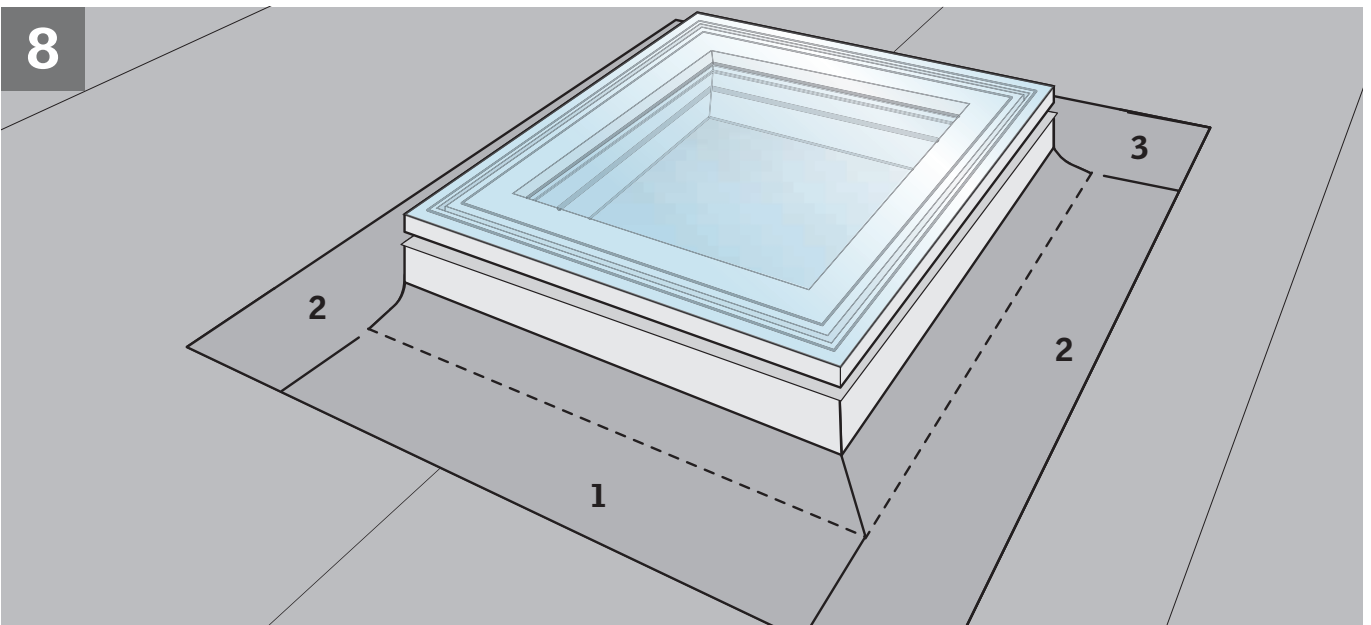
6



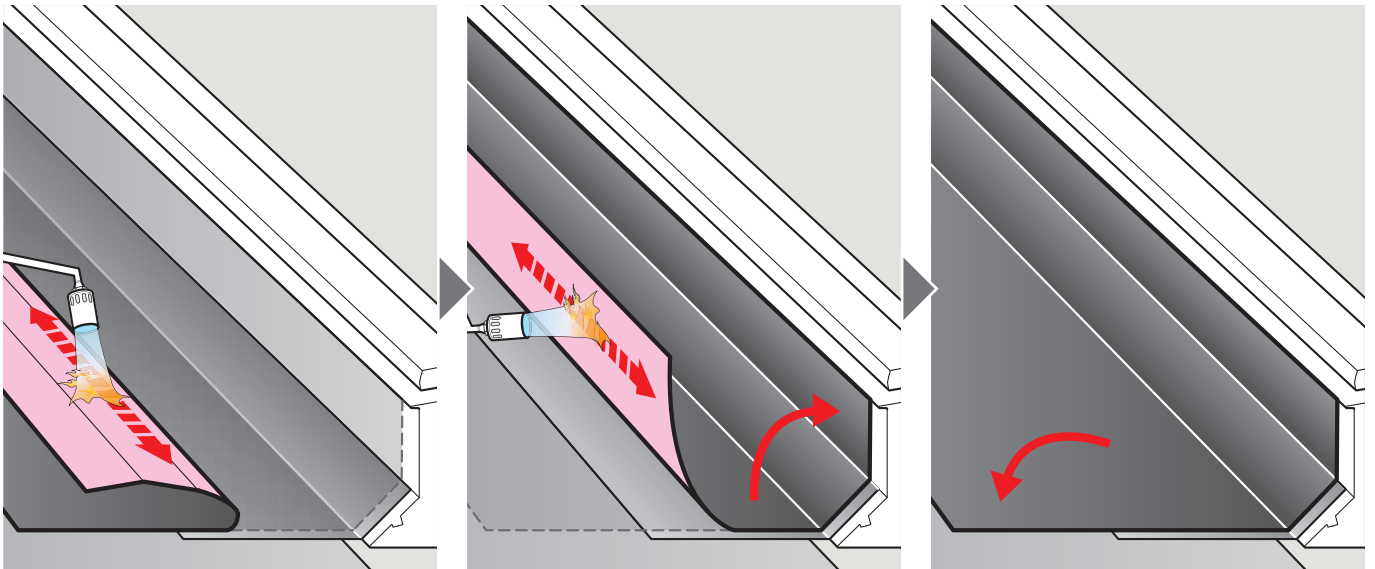
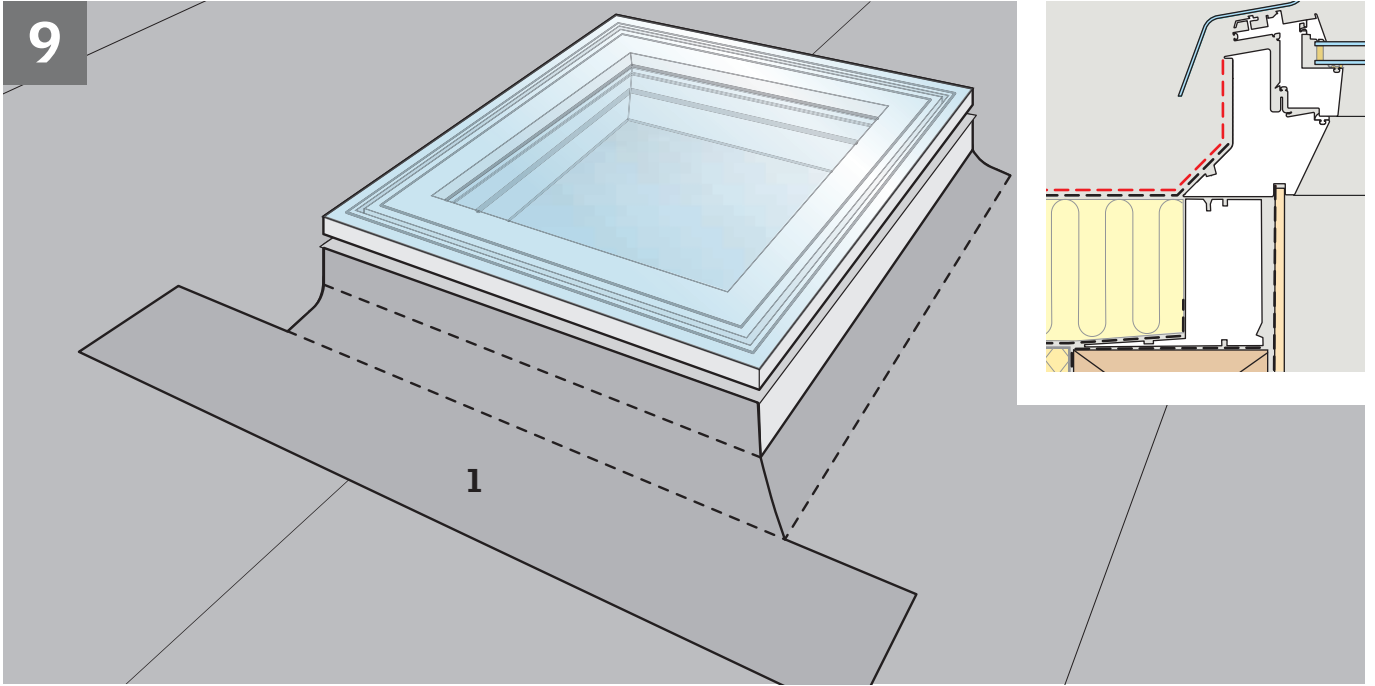
7



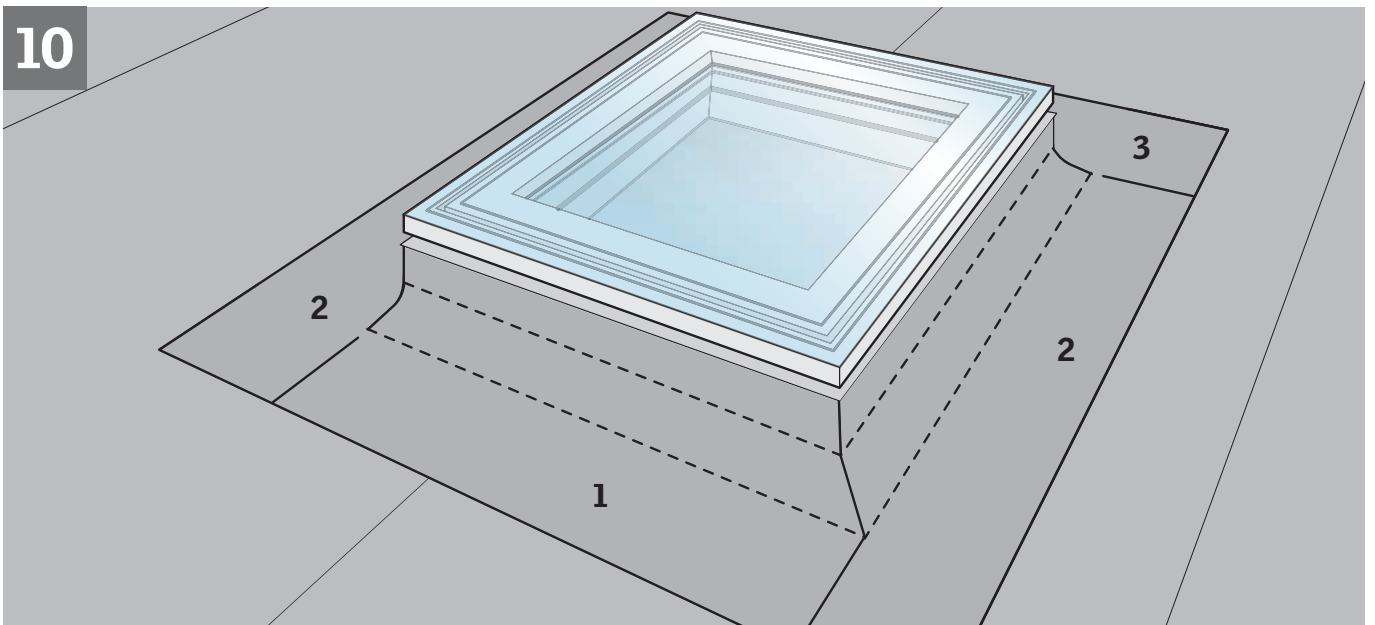
8



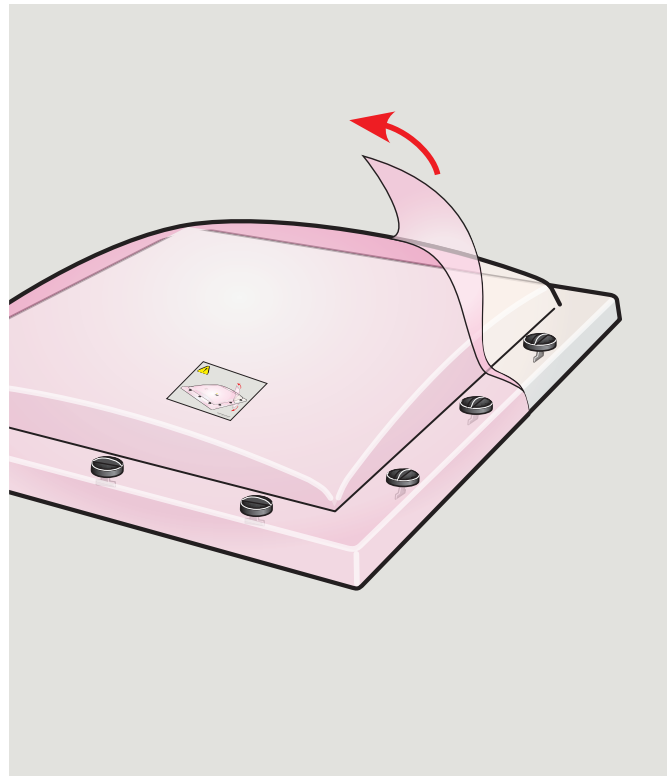
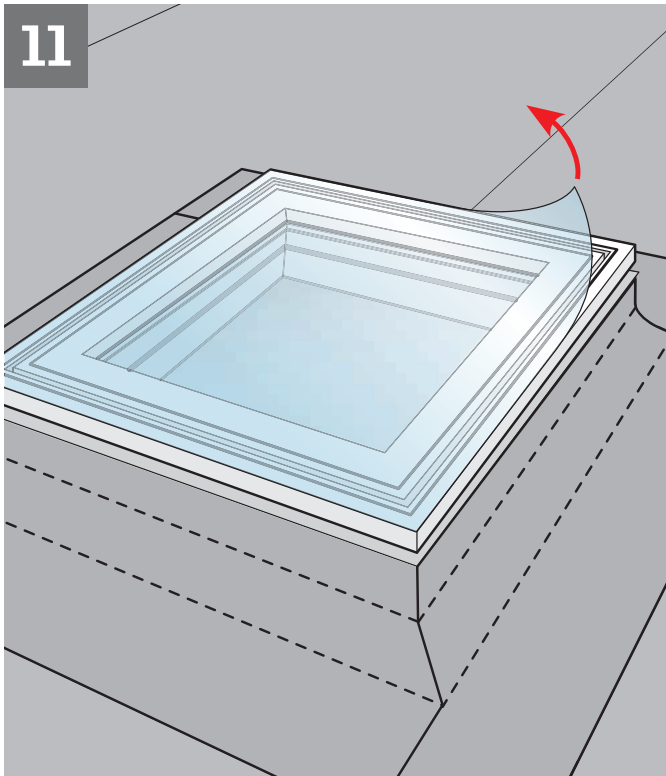
9



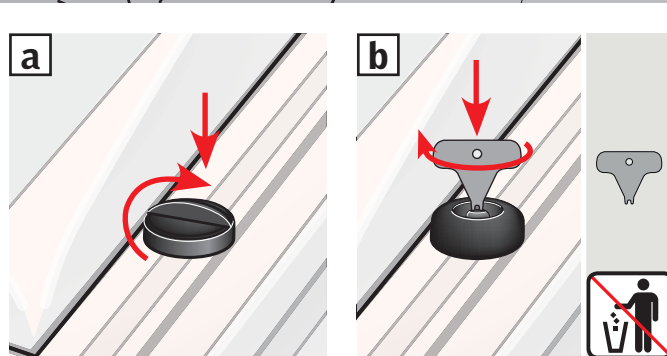
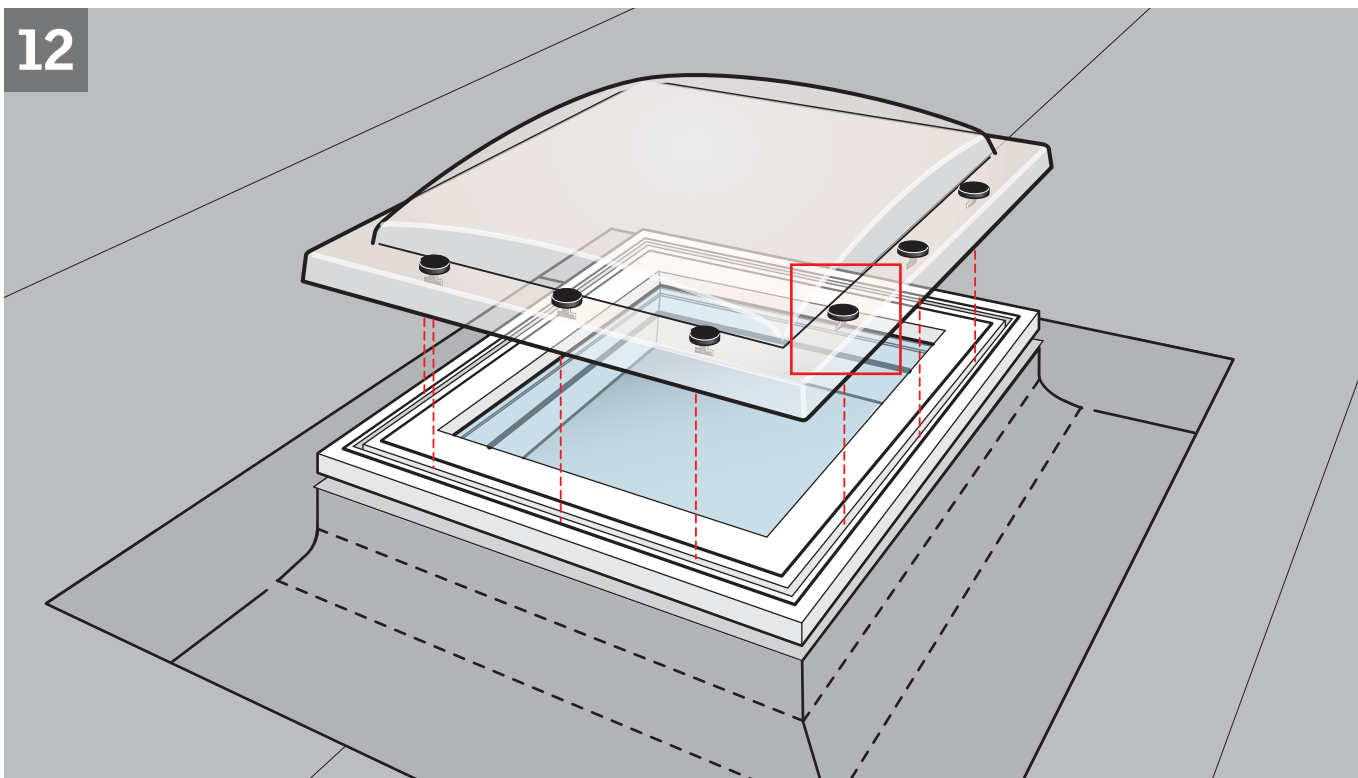
10



11



12



AR: VELUX Argentina S.A.
348 4 639944

AT: VELUX Österreich GmbH
02245/32 3 50

AU: VELUX Australia Pty. Ltd.
1300 859 856

BA: VELUX Bosna i Hercegovina d.o.o.
033/626 493, 626 494

BE: VELUX Belgium
(010) 42.09.09

BG: ВЕЛУКС България ЕООД
02/955 99 30

BY: Унитарное предприятие
"ВЕЛЮКС Мансардные Окна"
(017) 329 20 89

CA: VELUX Canada Inc.
1 800 88-VELUX (888-3589)

CH: VELUX Schweiz AG
062 289 44 45

CL: VELUX Chile Limitada
2 953 6789

CN: VELUX (CHINA) CO. LTD.
0316-607 27 27

CZ: VELUX Česká republika, s.r.o.
531 015 511

DE: VELUX Deutschland GmbH
040 / 54 70 70

DK: VELUX Danmark A/S
45 16 45 16

EE: VELUX Eesti OÜ
621 7790

ES: VELUX Spain, S.A.
91 509 71 00

FI: VELUX Suomi Oy
0207 290 800

FR: VELUX France
0821 02 15 15
0,119€ TTC/min

GB: VELUX Company Ltd.
01592 778 225

HR: VELUX Hrvatska d.o.o.
01/5555 444

HU: VELUX Magyarország Kft.
(06/1) 436-0601

IE: VELUX Company Ltd.
01 848 8775

IT: VELUX Italia s.p.a.
045/6173666

JP: VELUX-Japan Ltd.
0570-00-8145

LT: VELUX Lietuva, UAB
(85) 270 91 01

LV: VELUX Latvia SIA
67 27 77 33

NL: VELUX Nederland B.V.
030 - 6 629 629

NO: VELUX Norge AS
22 51 06 00

NZ: VELUX New Zealand Ltd.
0800 650 445

PL: VELUX Polska Sp. z o.o.
(022) 33 77 000 / 33 77 070

PT: VELUX Portugal, Lda
21 880 00 60

RO: VELUX România S.R.L.
0-8008-83589

RS: VELUX Srbija d.o.o.
011 20 57 500

RU: ЗАО ВЕЛЮКС
(495) 640 87 20

SE: VELUX Svenska AB
042/20 83 80

SI: VELUX Slovenija d.o.o.
01 724 68 68

SK: VELUX Slovensko, s.r.o.
(02) 33 000 555

TR: VELUX Çatı Pencereleri
Ticaret Limited Şirketi
0 216 302 54 10

UA: ТОВ "ВЕЛЮКС Україна"
(044) 2916070

US: VELUX America LLC
1-800-88-VELUX