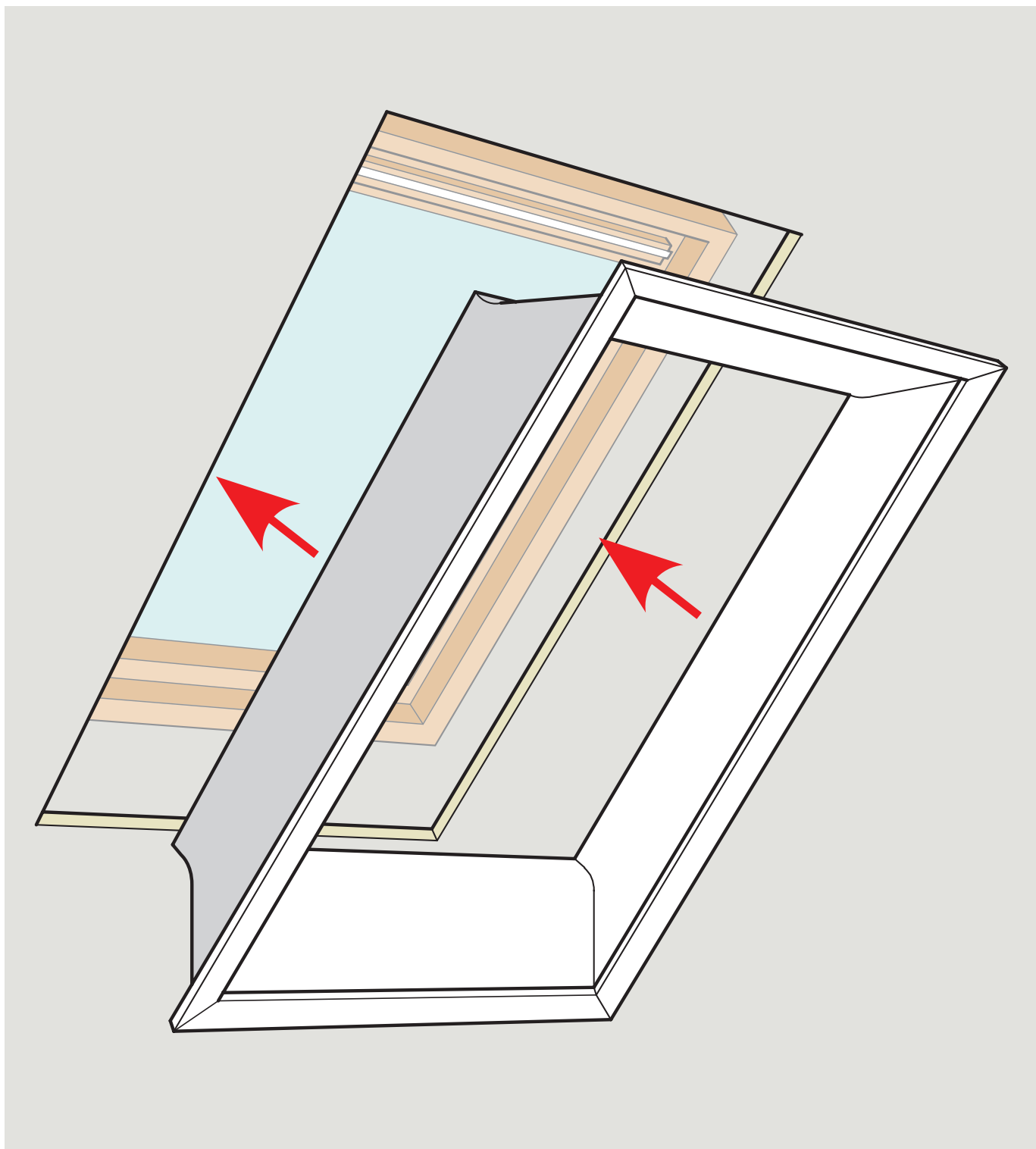
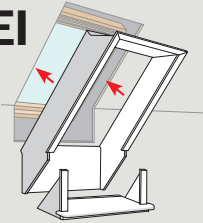


LSB/LSC/LSD

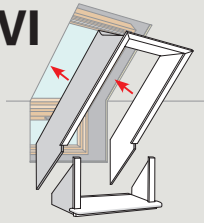




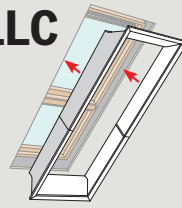
LEI



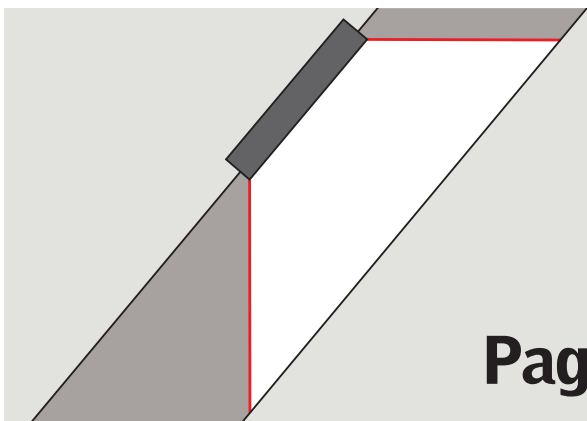
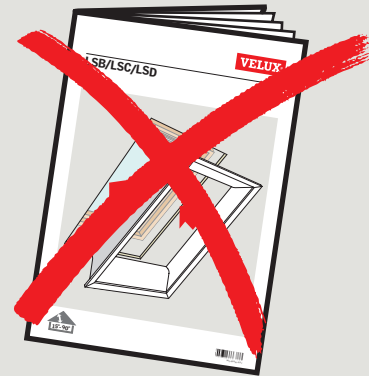
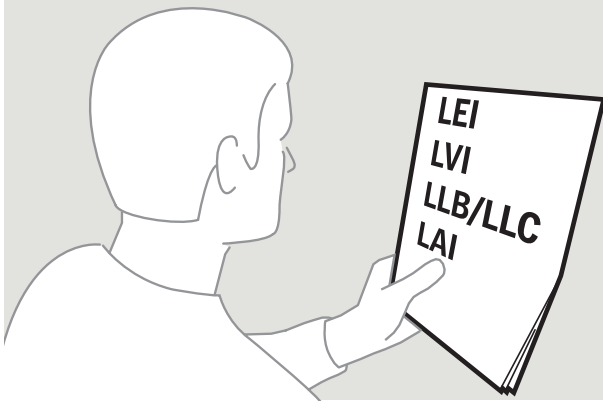
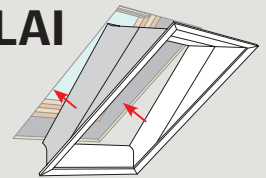
LVI



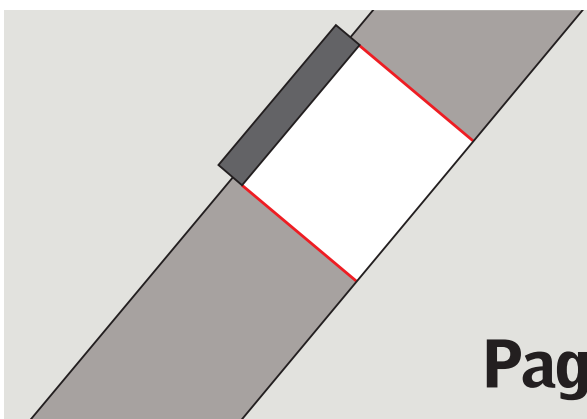
LLB/LLC



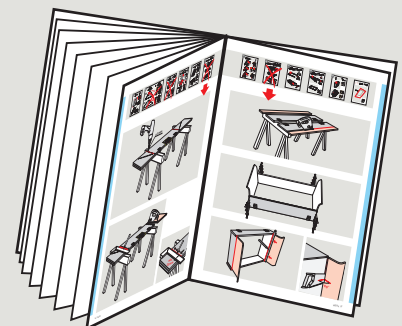
LAI



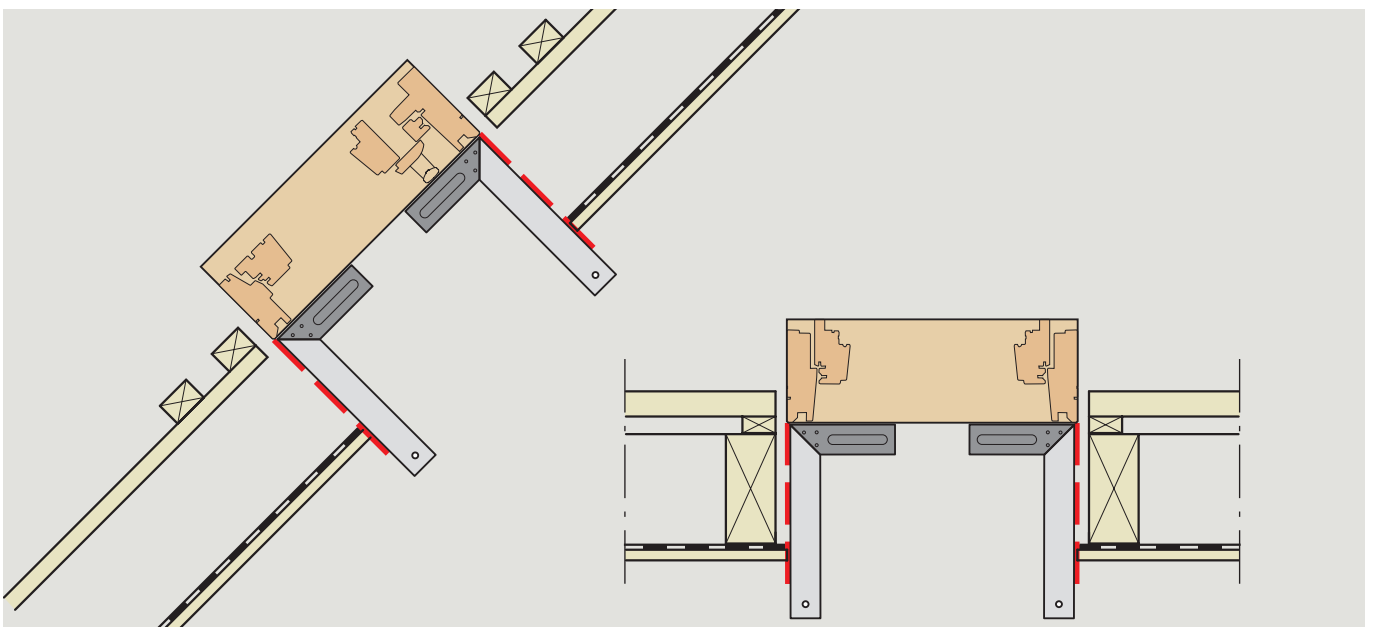
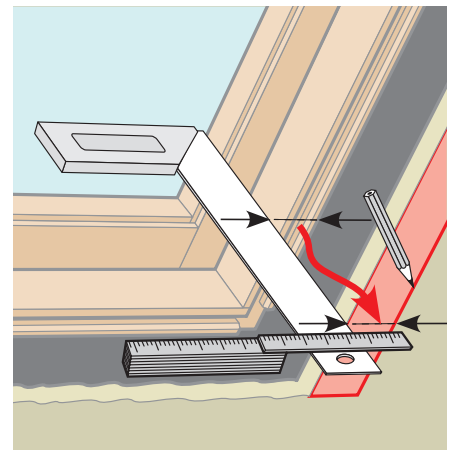
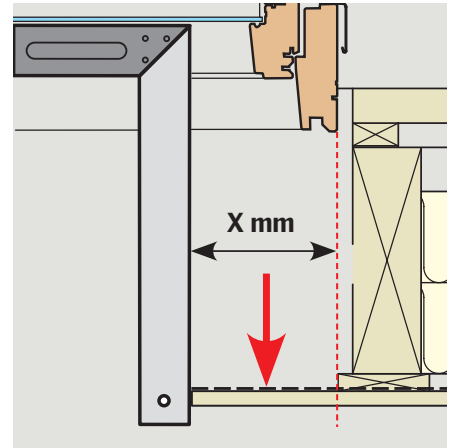
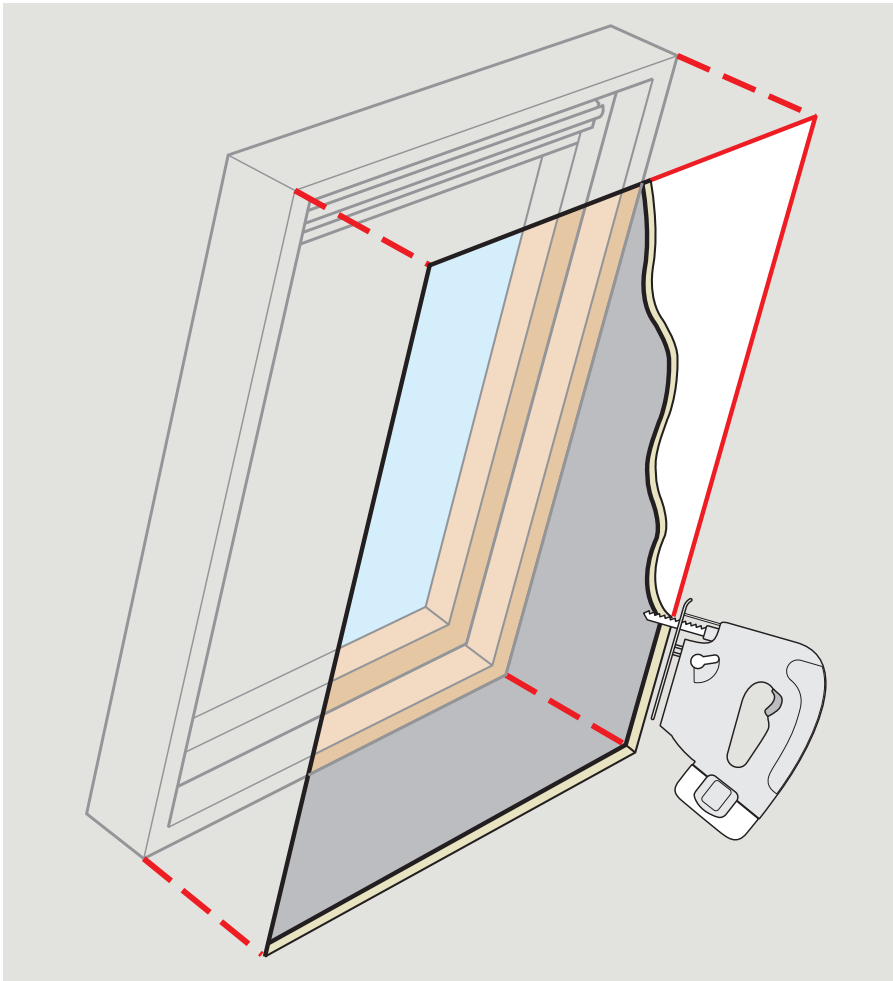
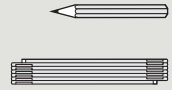
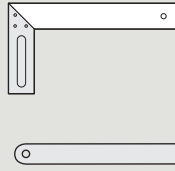
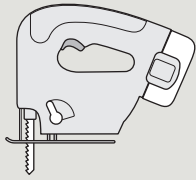
Pages 3 - 15



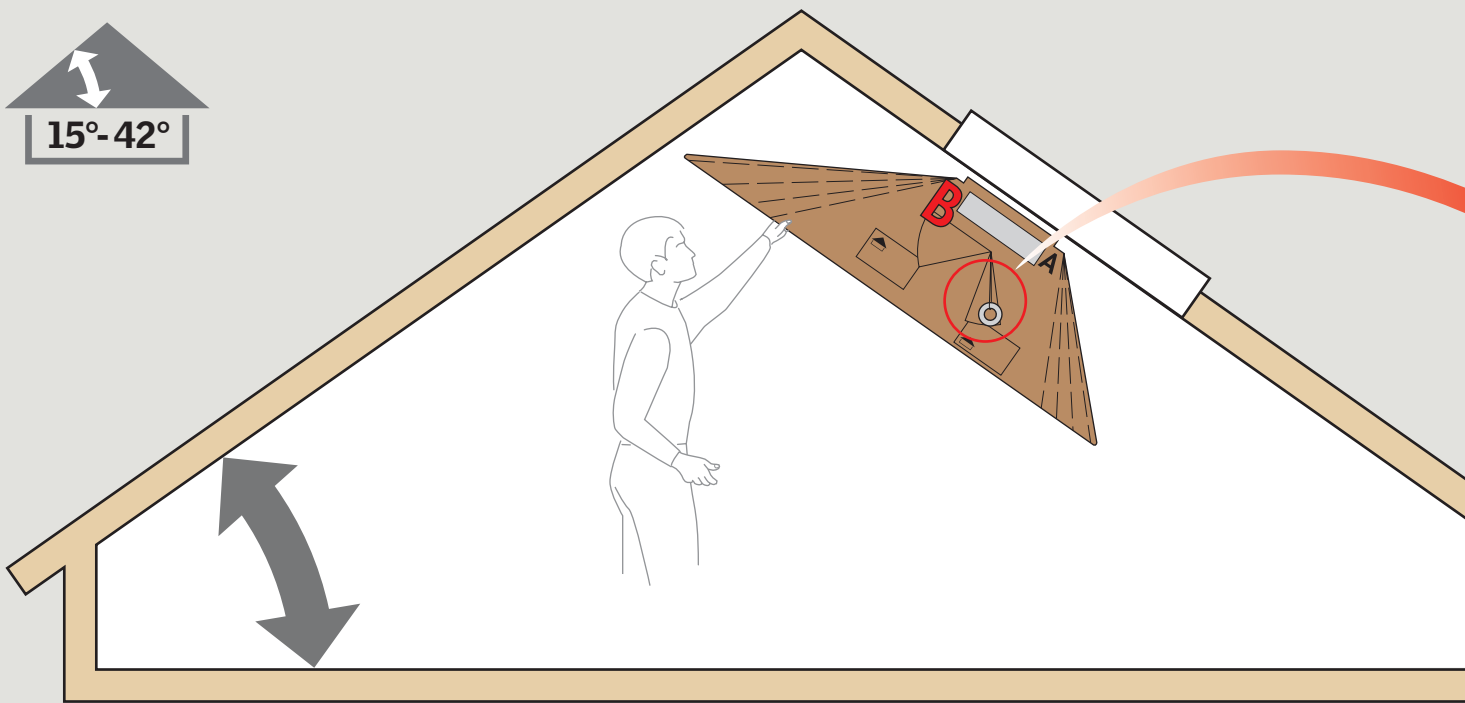
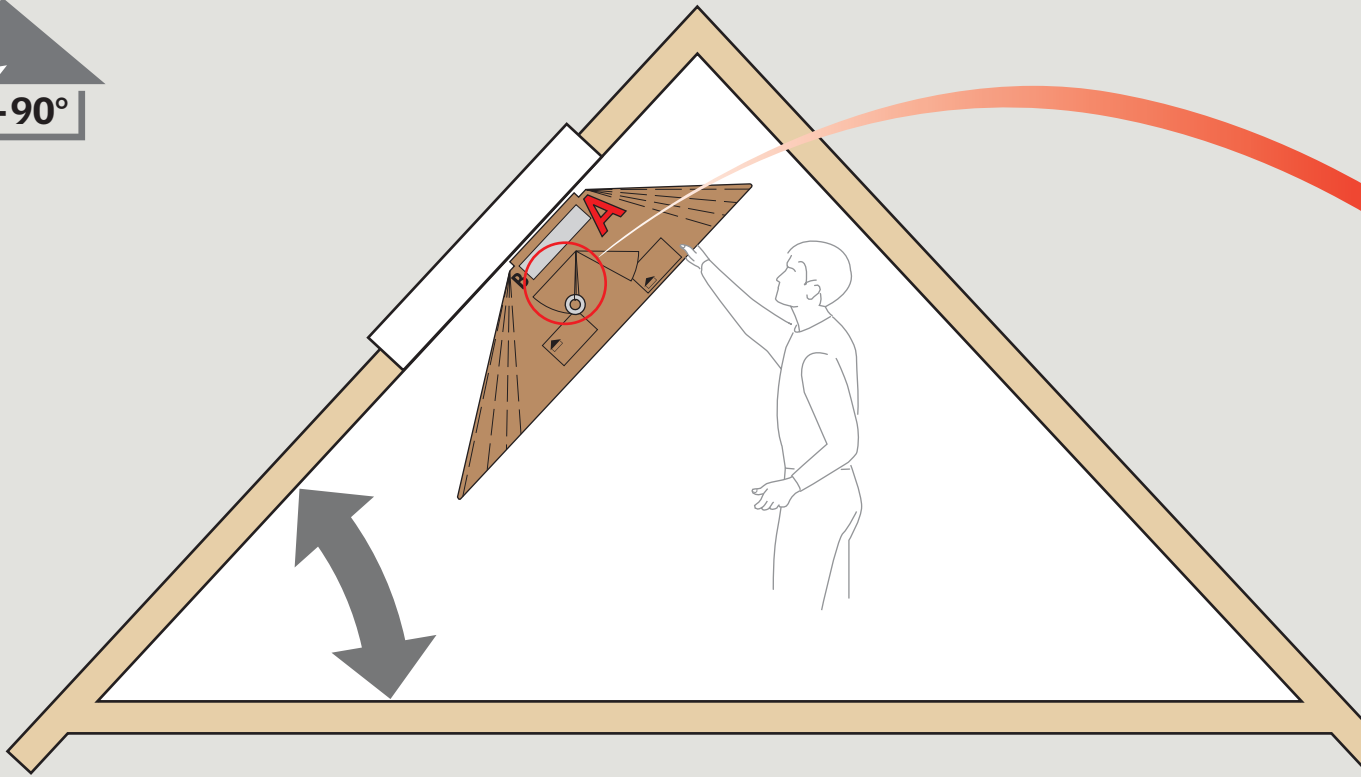
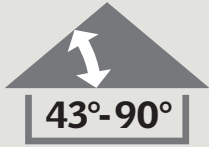
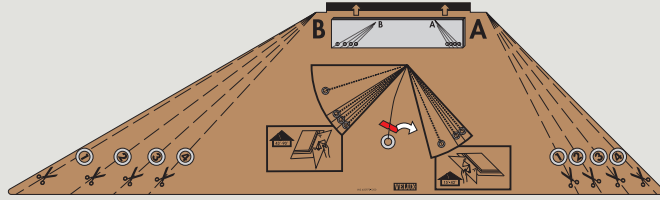
Pages 16 - 17

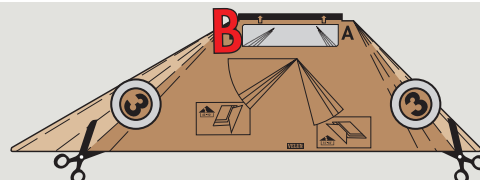
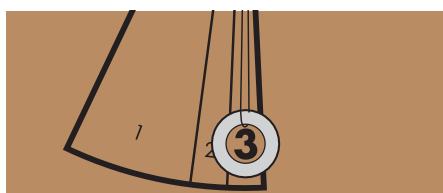
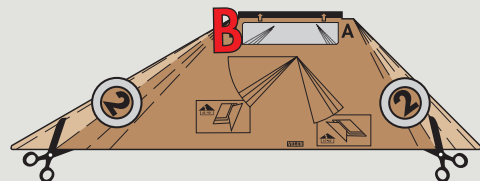
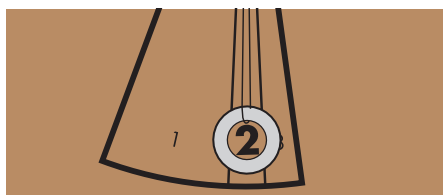
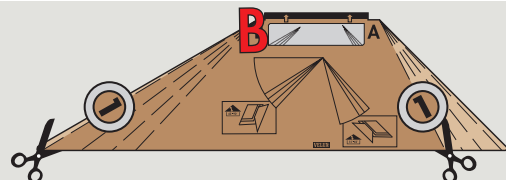
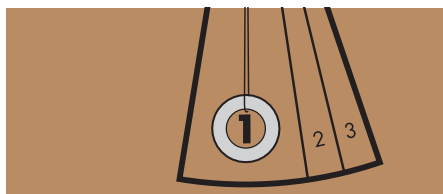
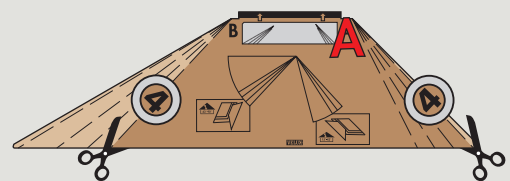
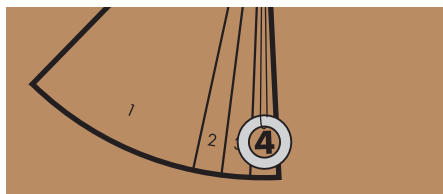
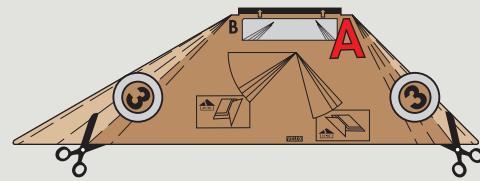
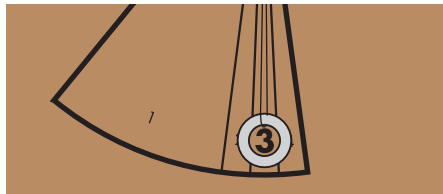
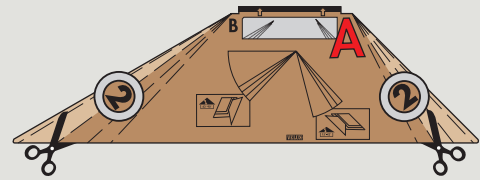
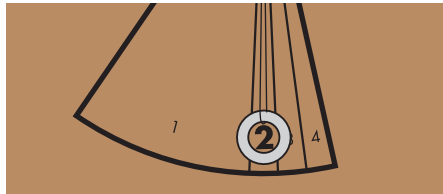
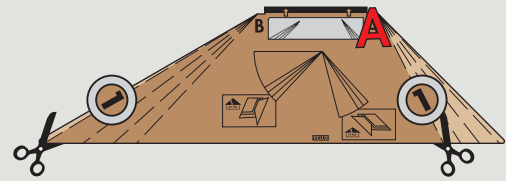
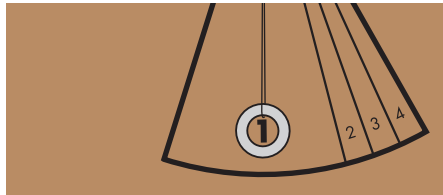
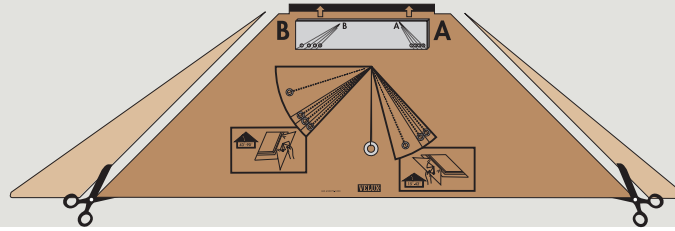
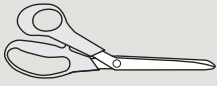


1

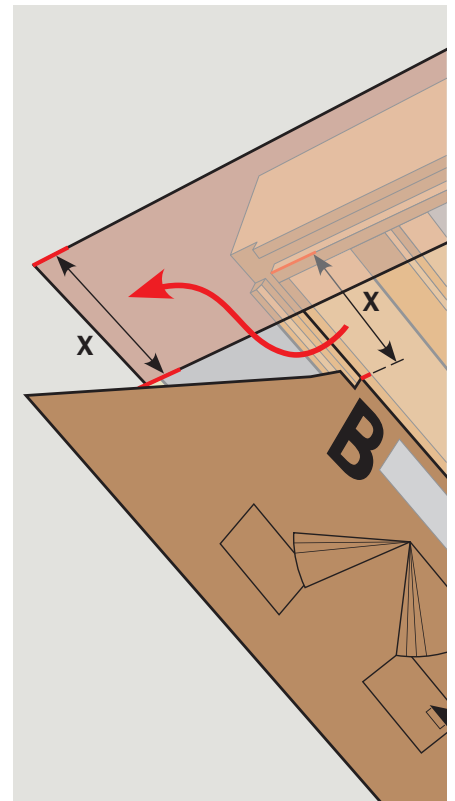
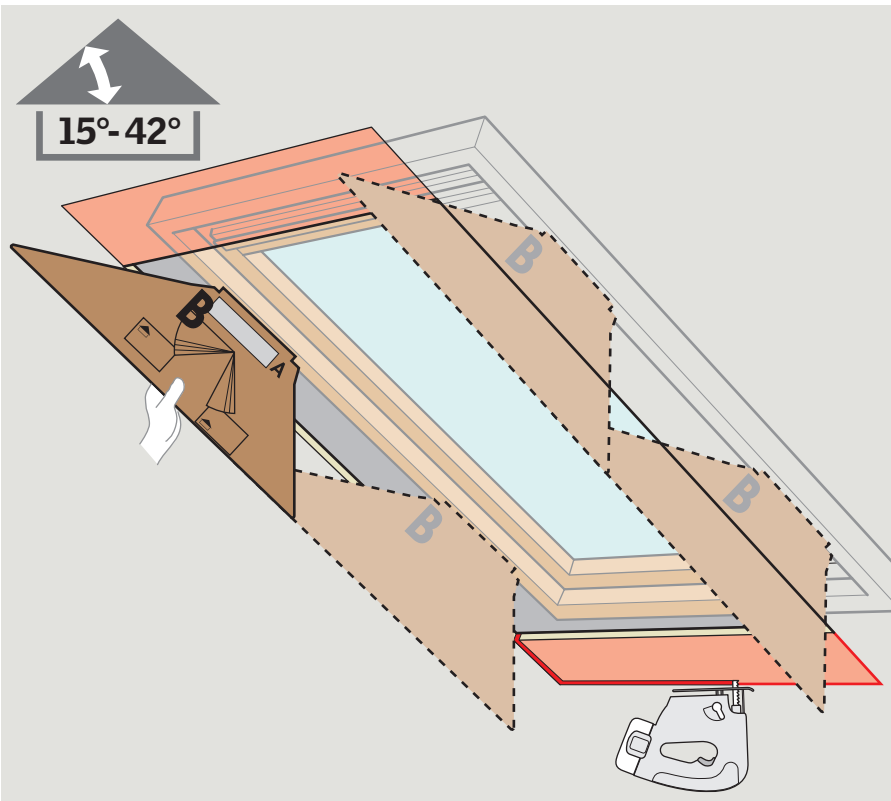
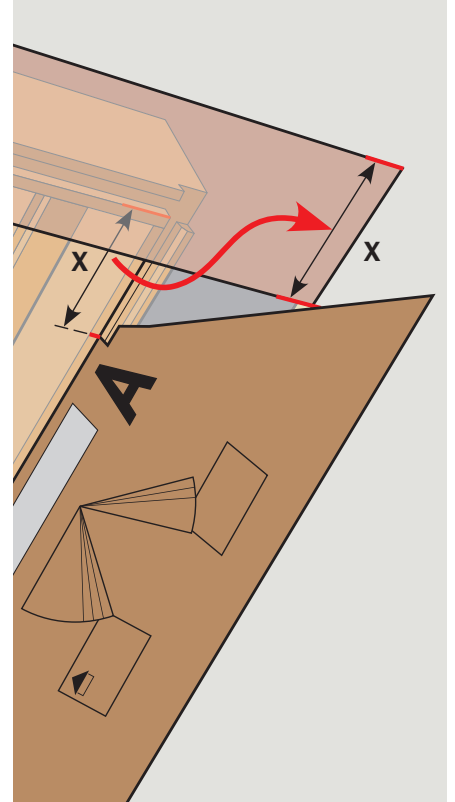
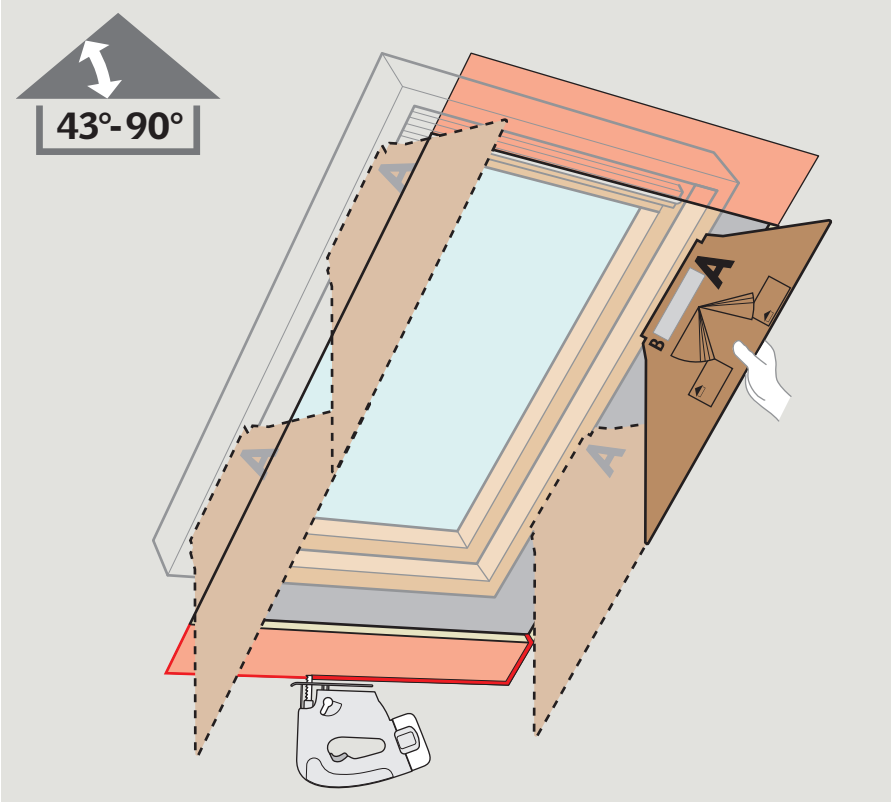
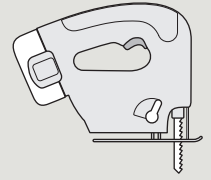
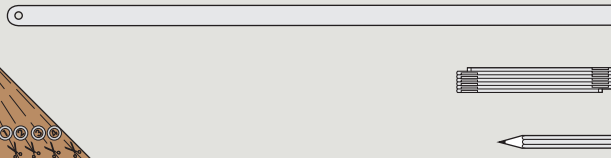
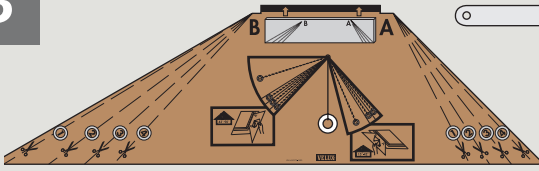


2

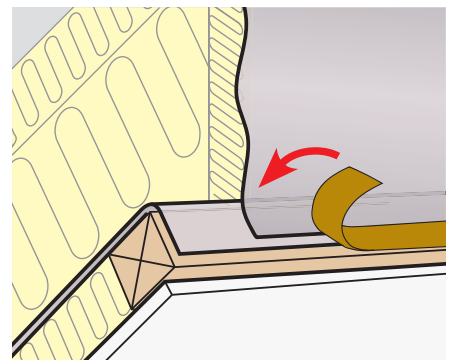
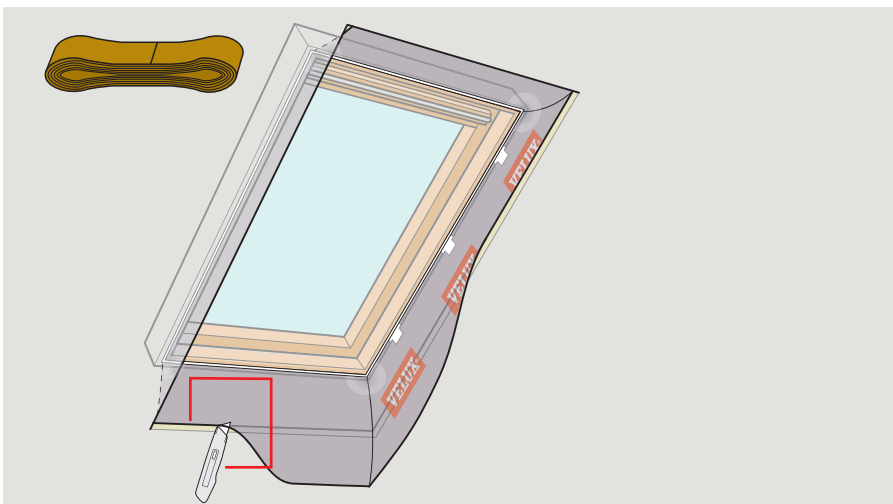
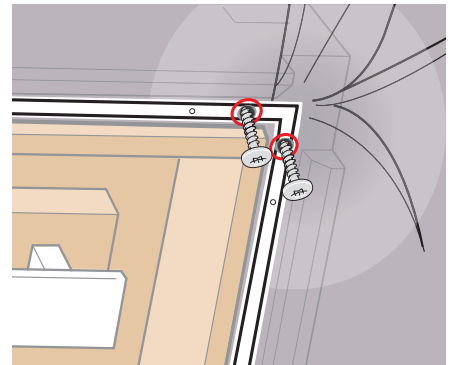
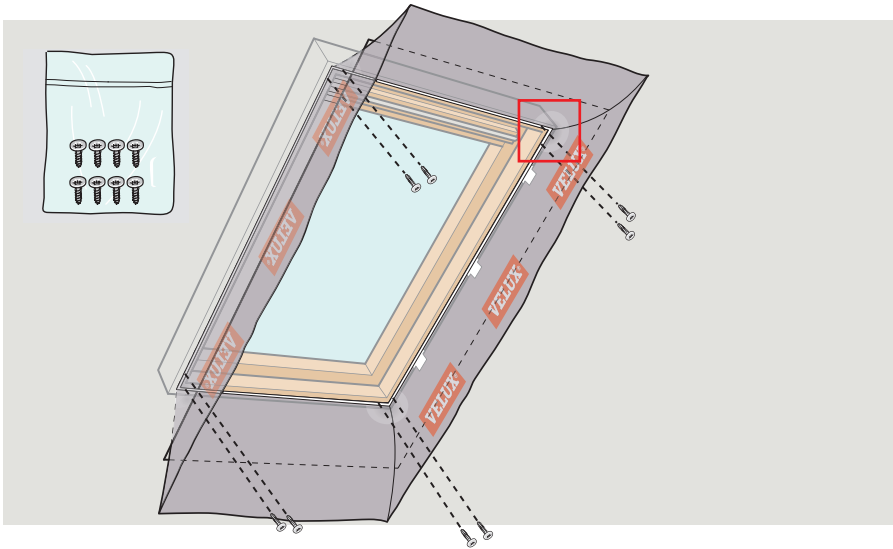
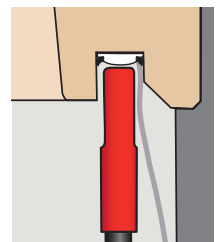
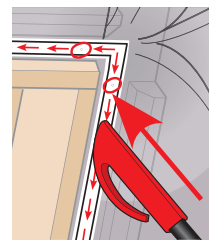
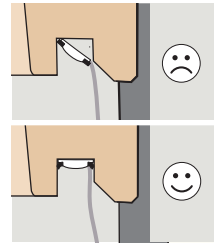
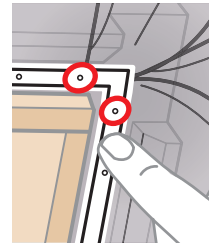
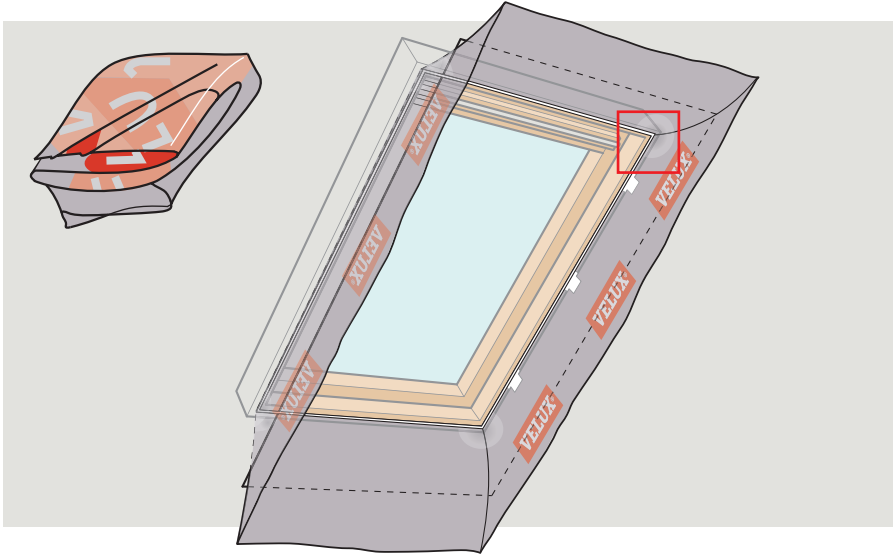
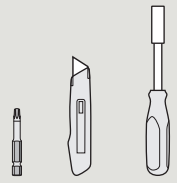
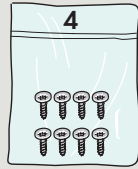
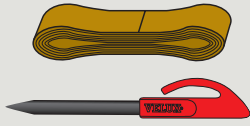
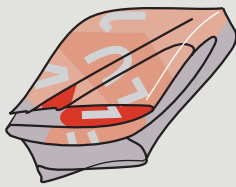




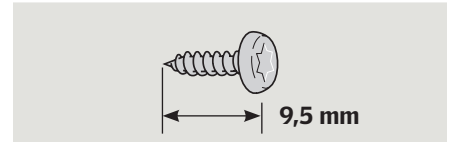
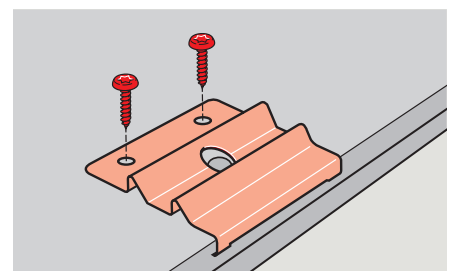
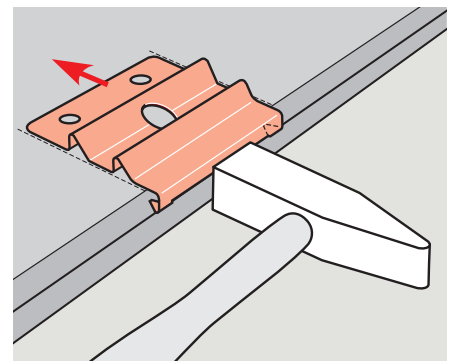
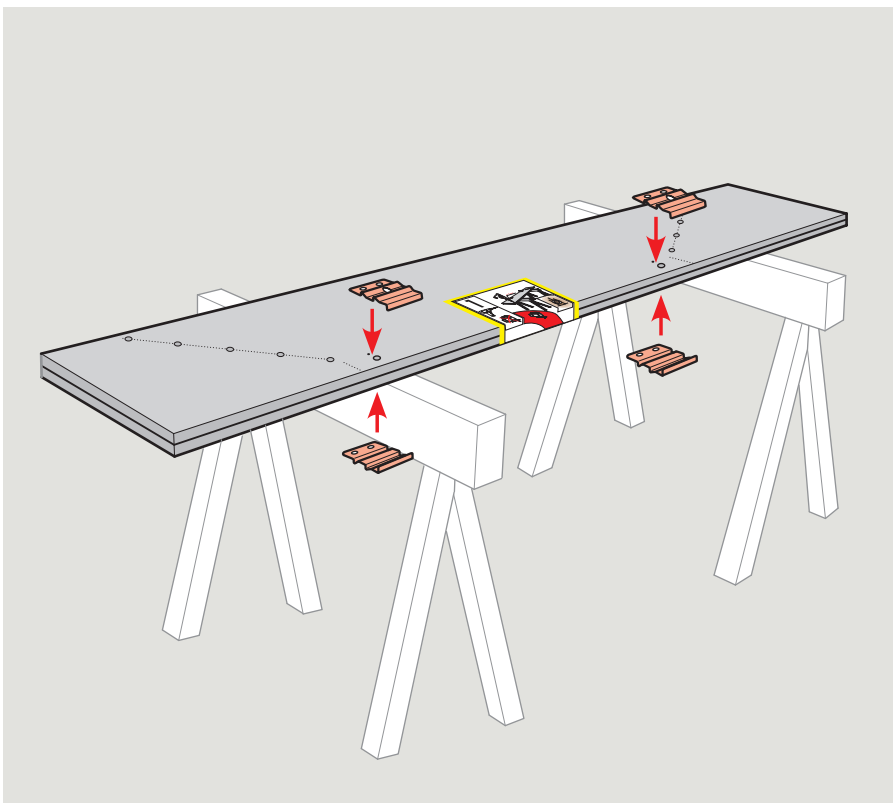
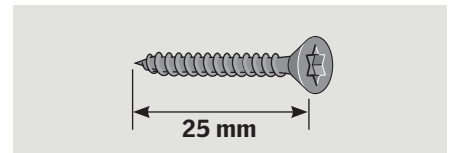
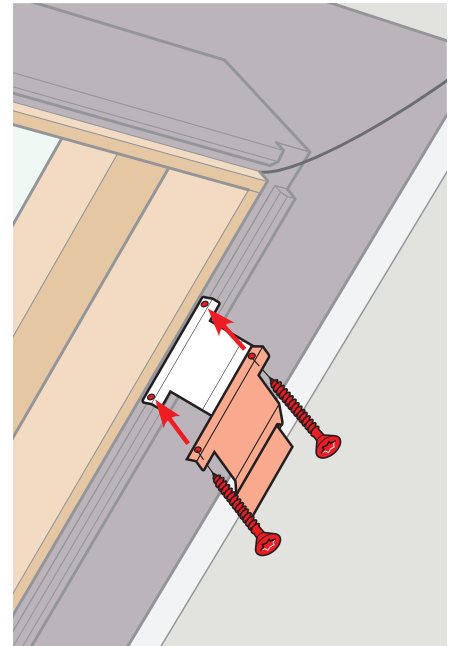
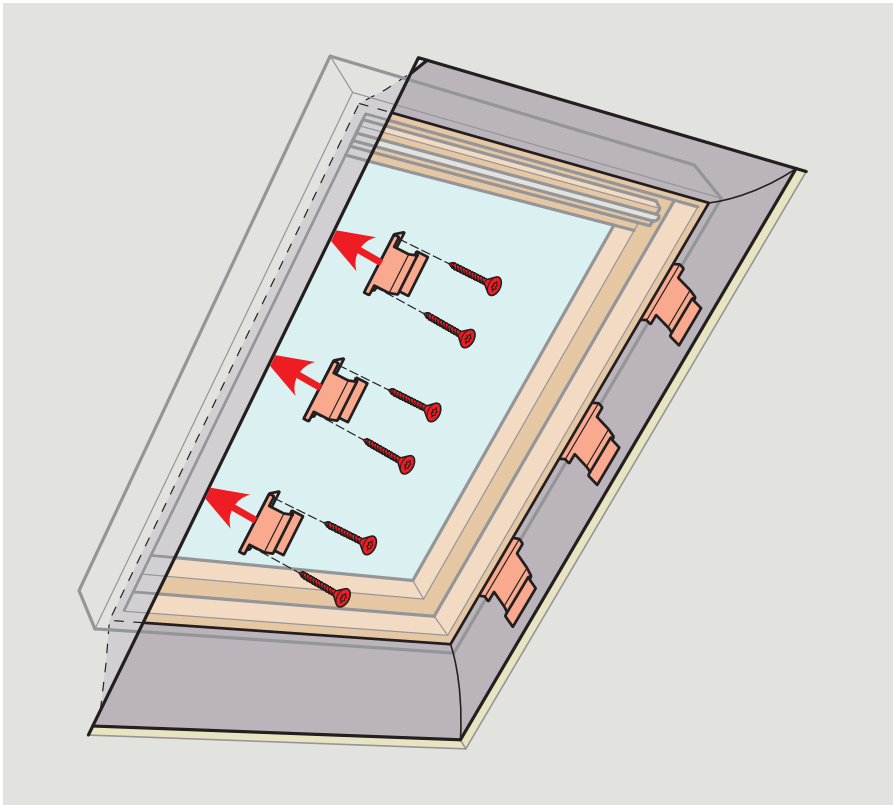
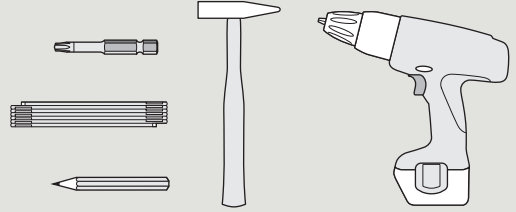
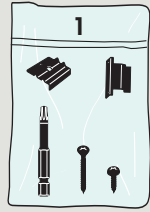
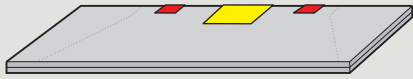
3



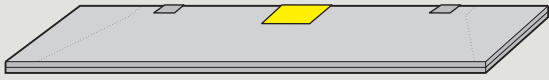
4



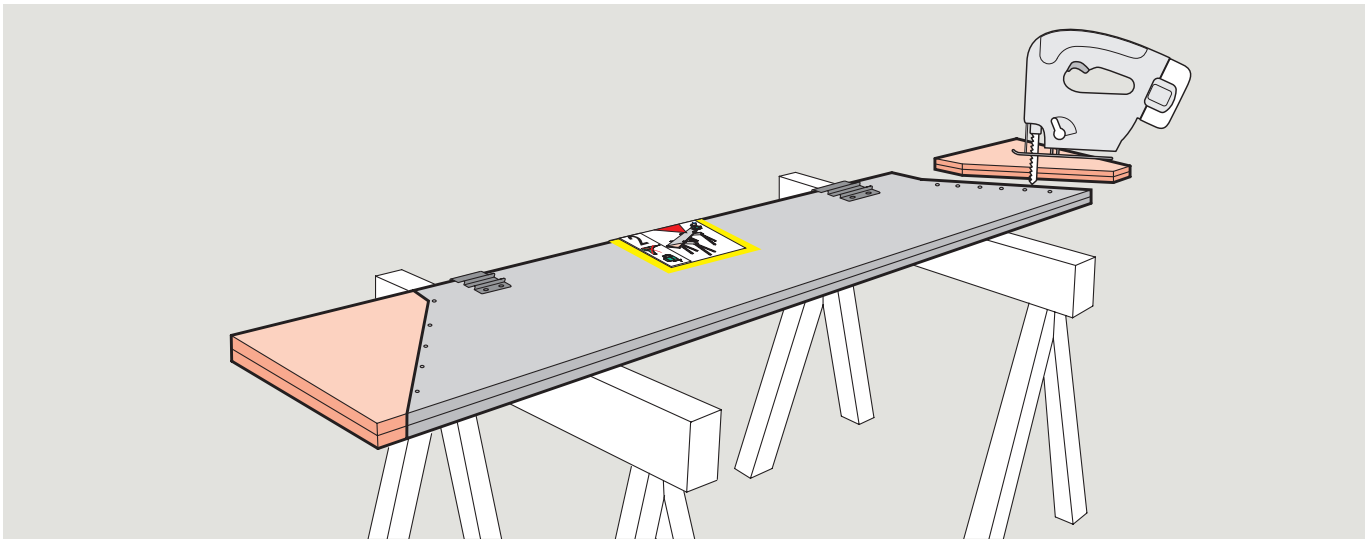
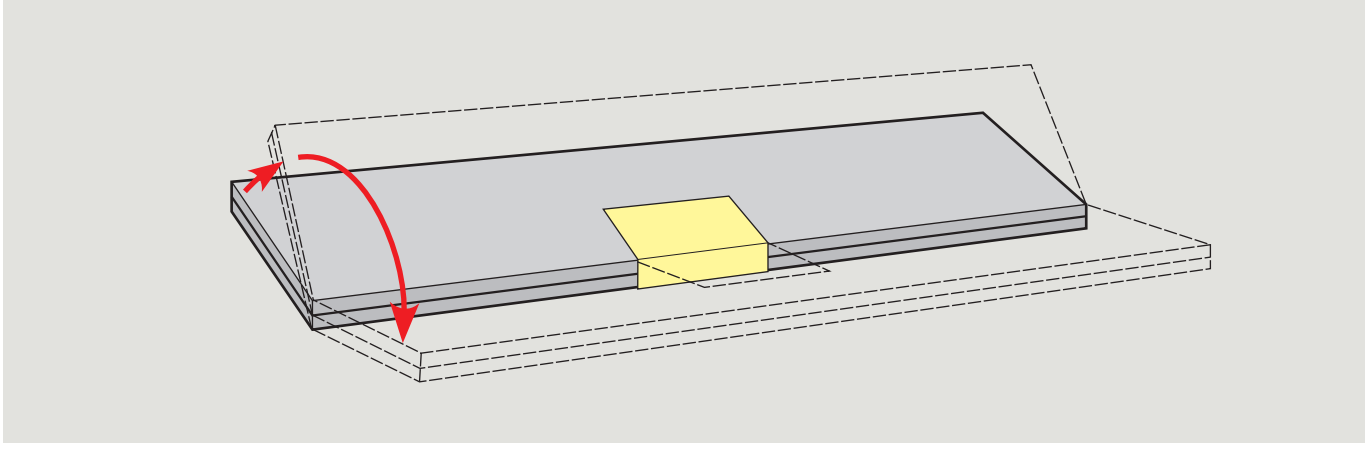
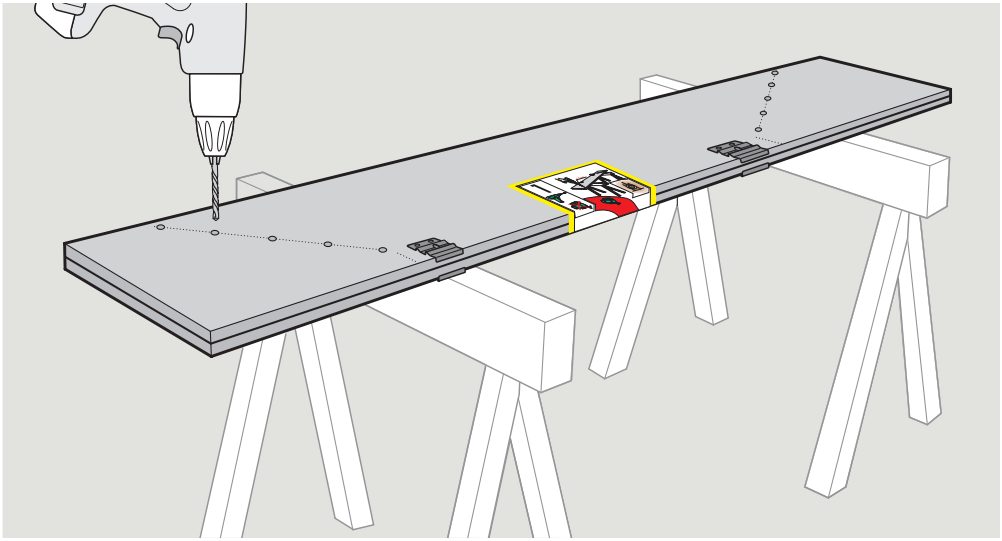
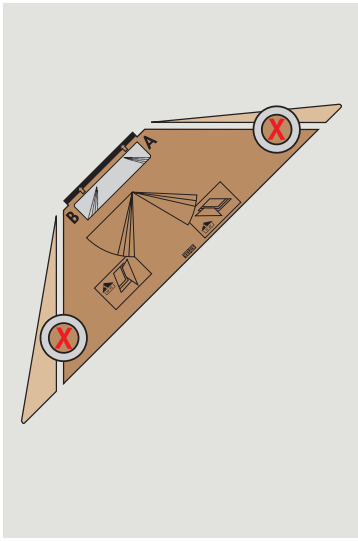
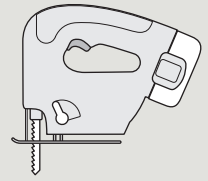
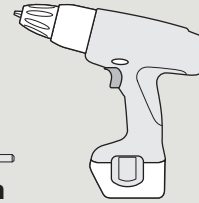
5



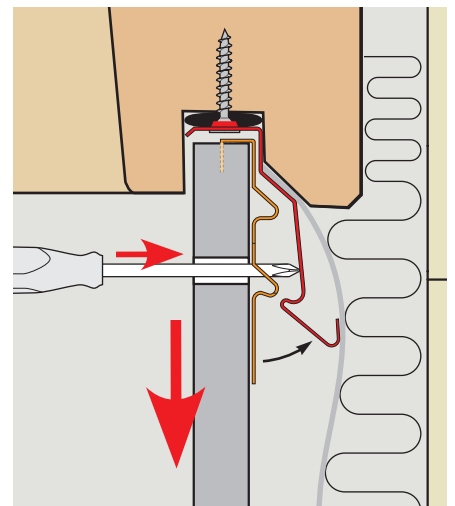
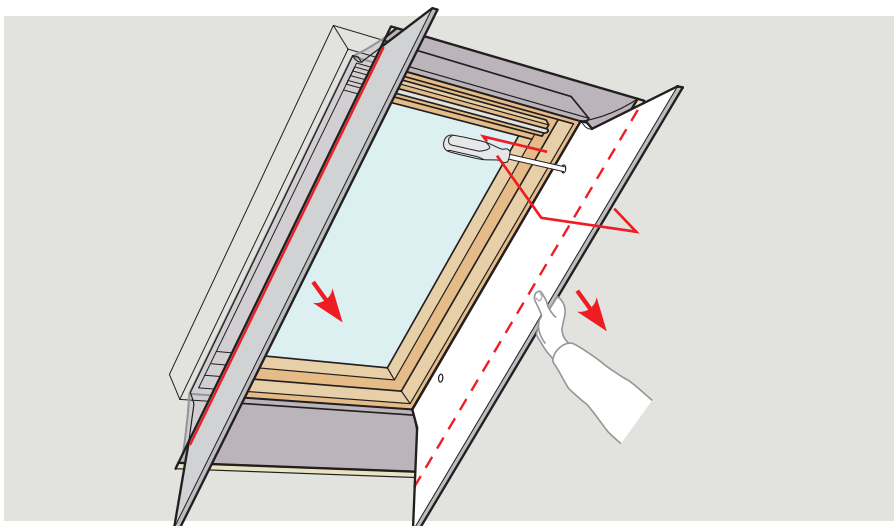
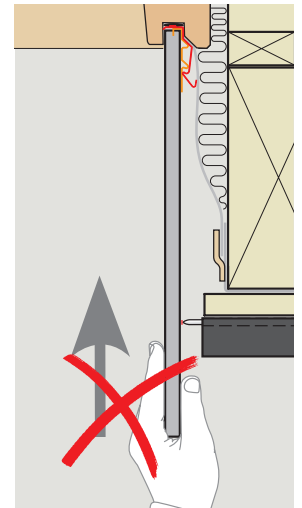
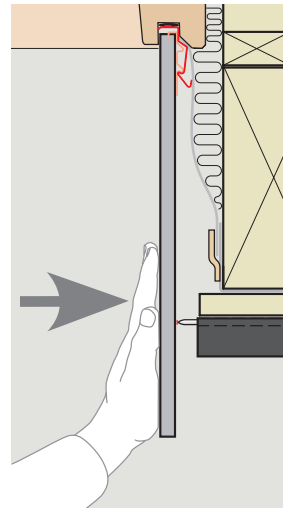
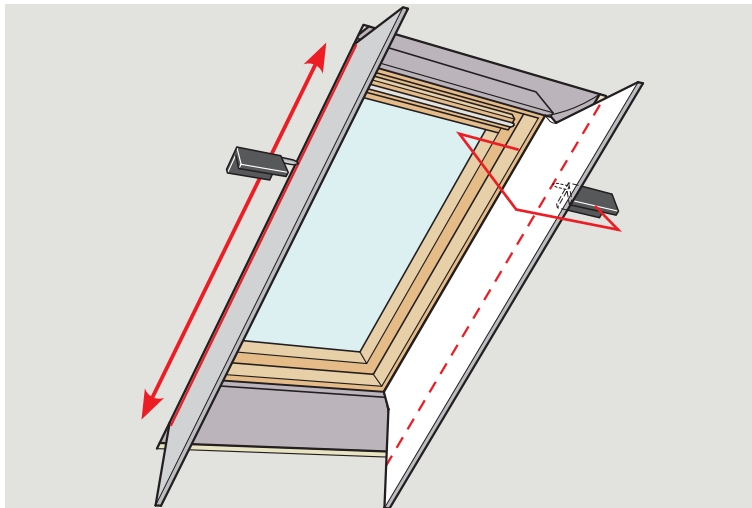
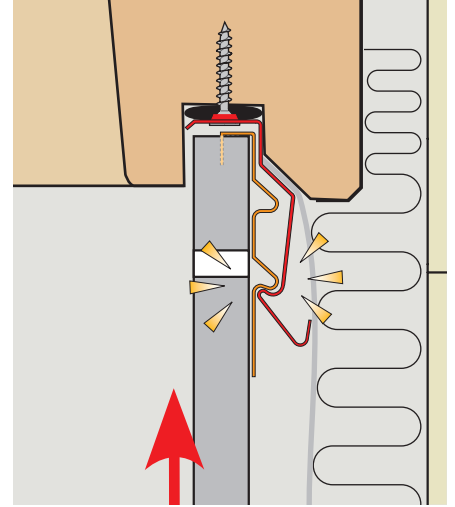
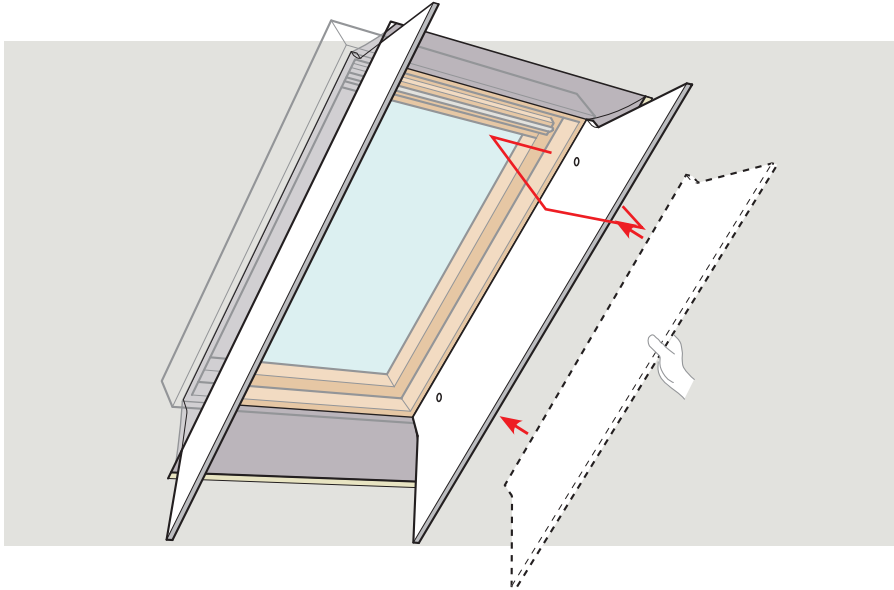
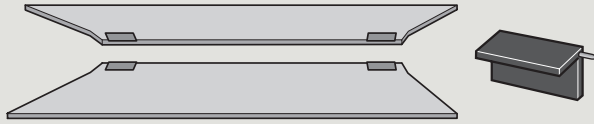
6



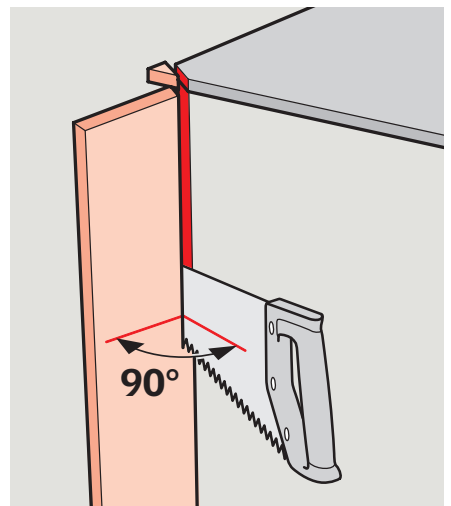
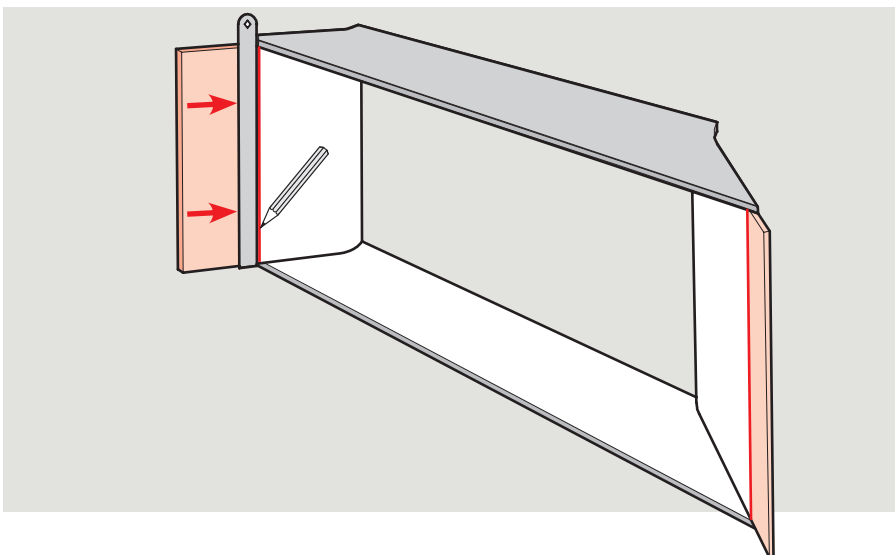
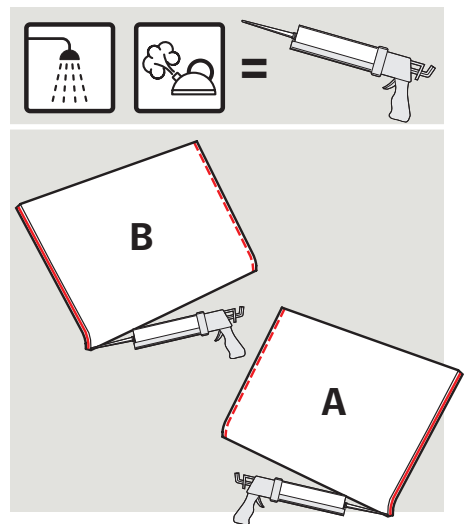
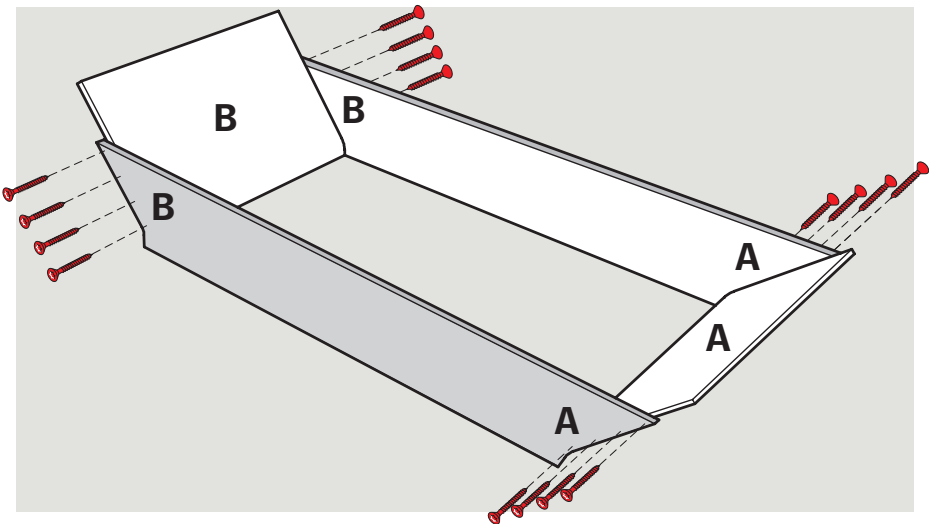
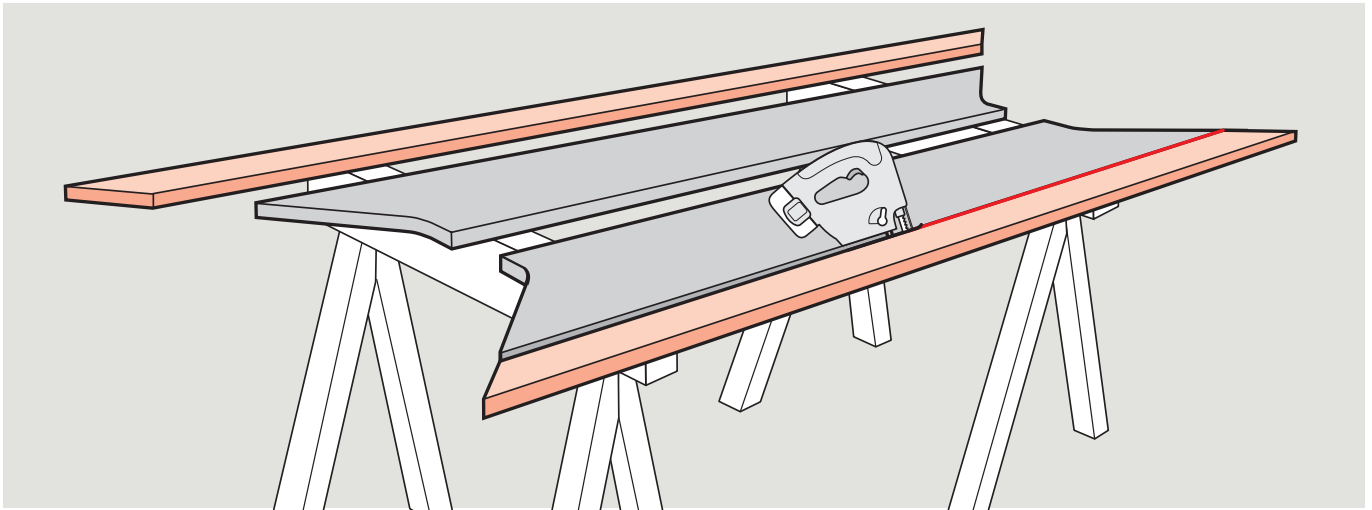
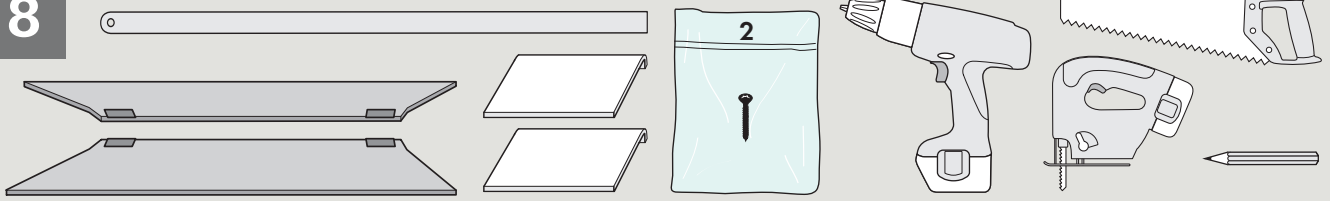
Ø 5 mm



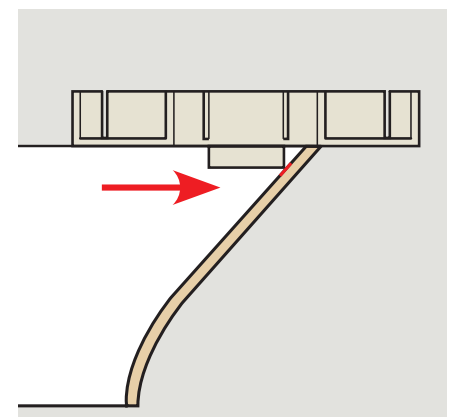
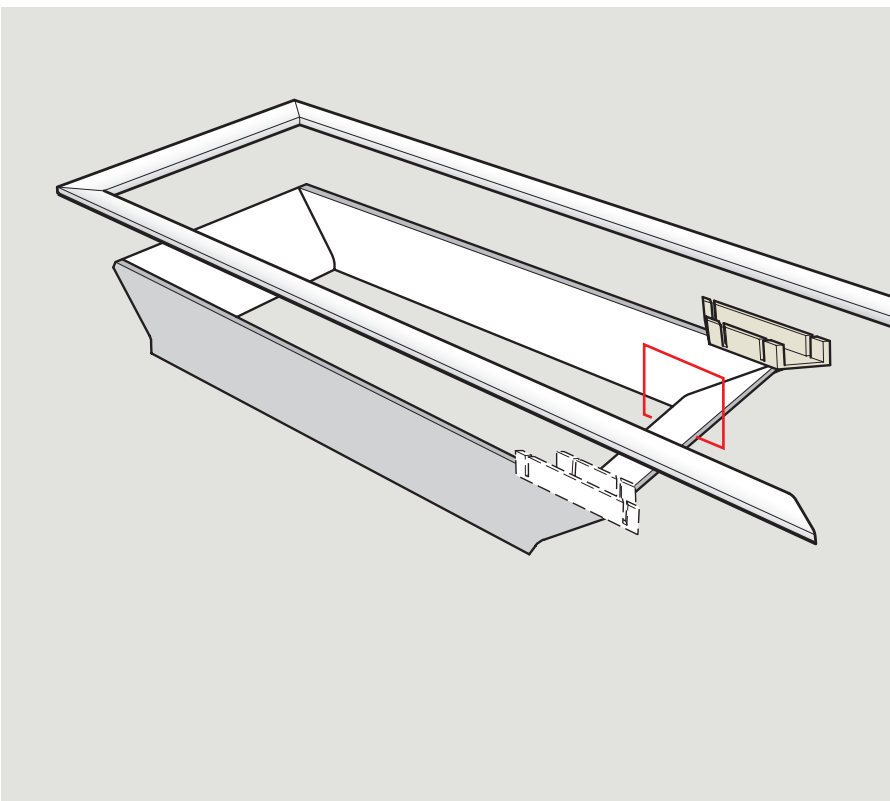
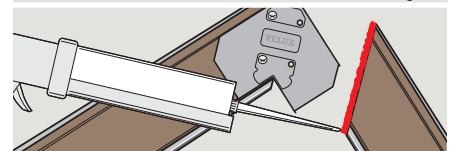
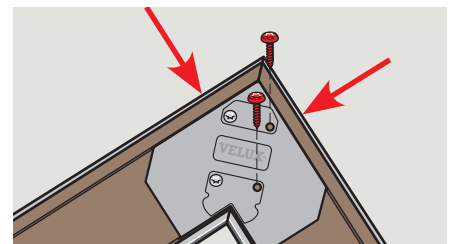
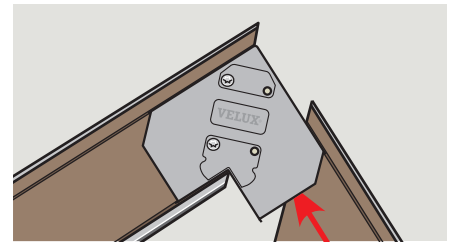
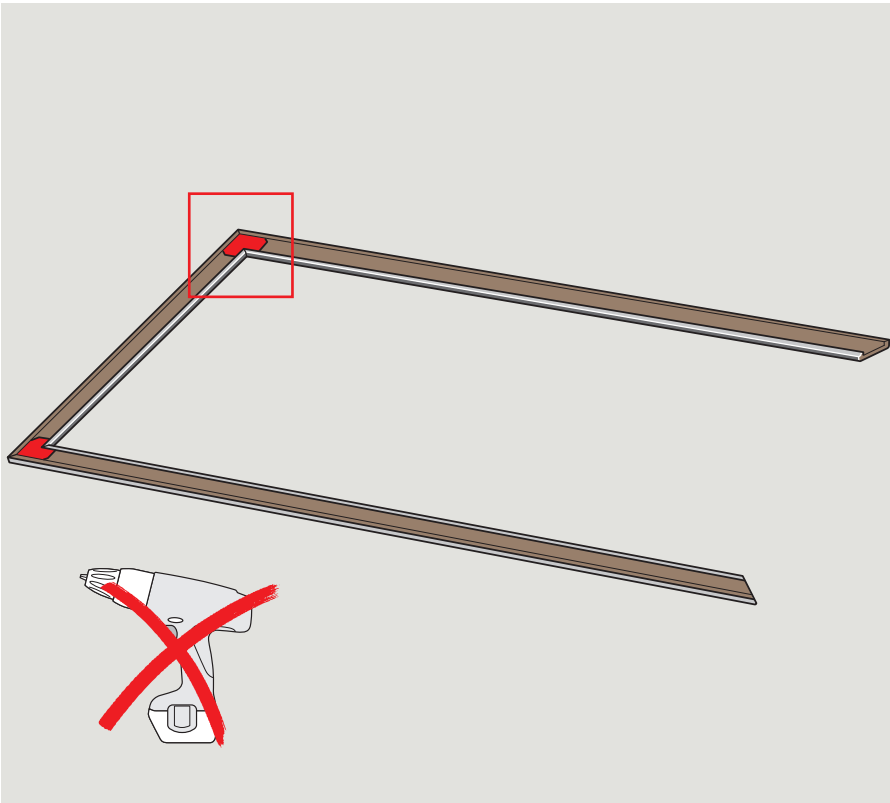
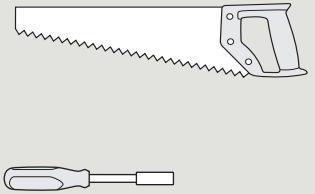
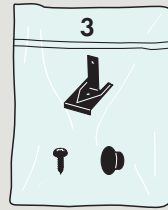
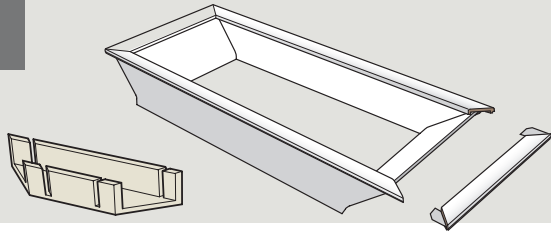
7



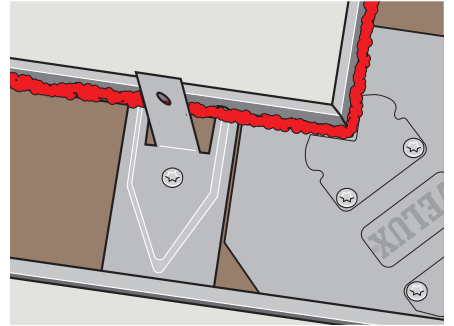
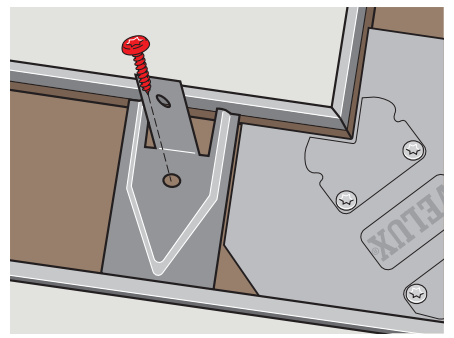
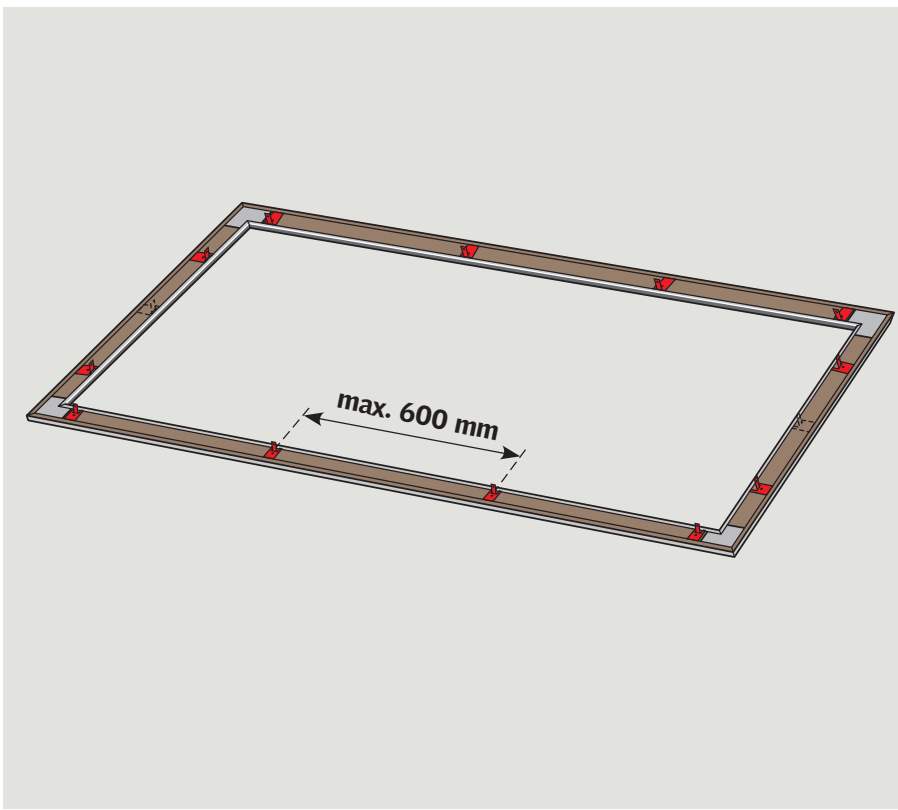
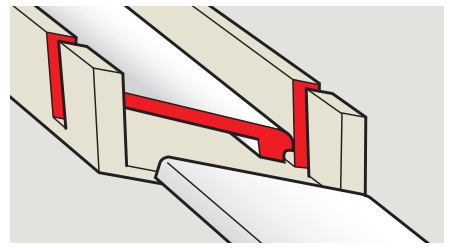
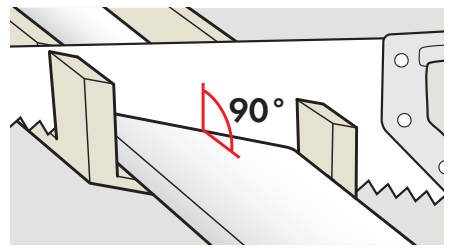
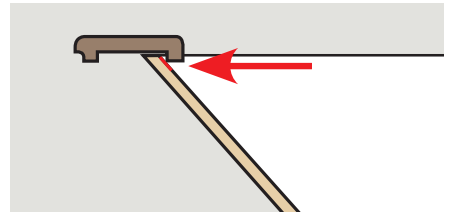
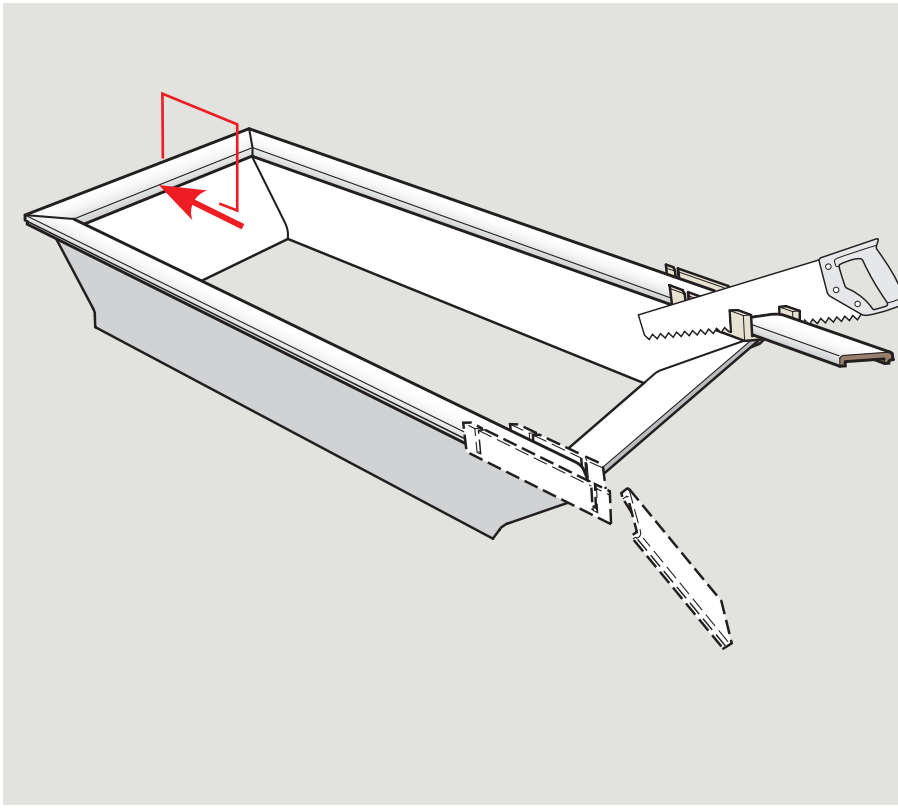
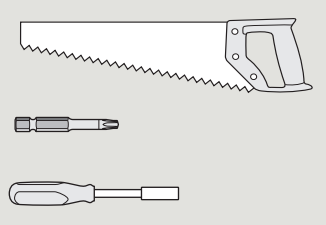
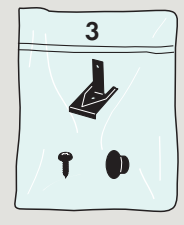
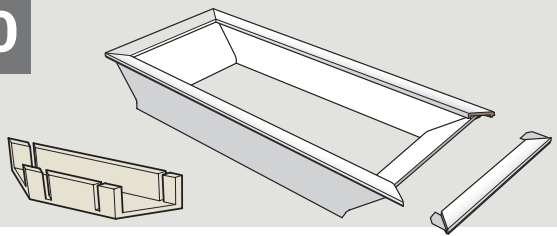
8



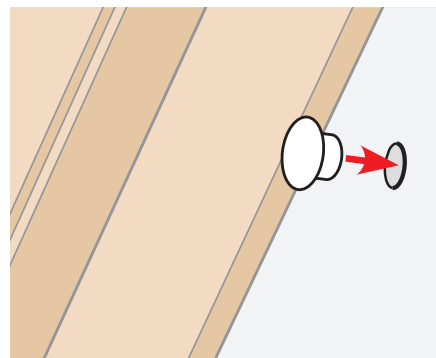
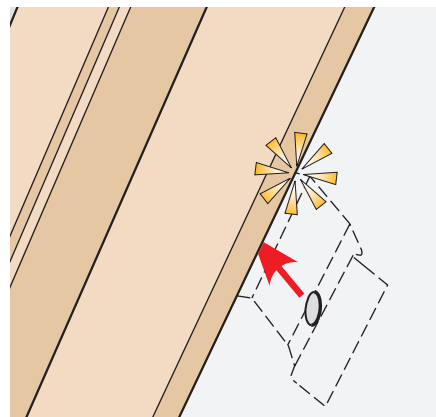
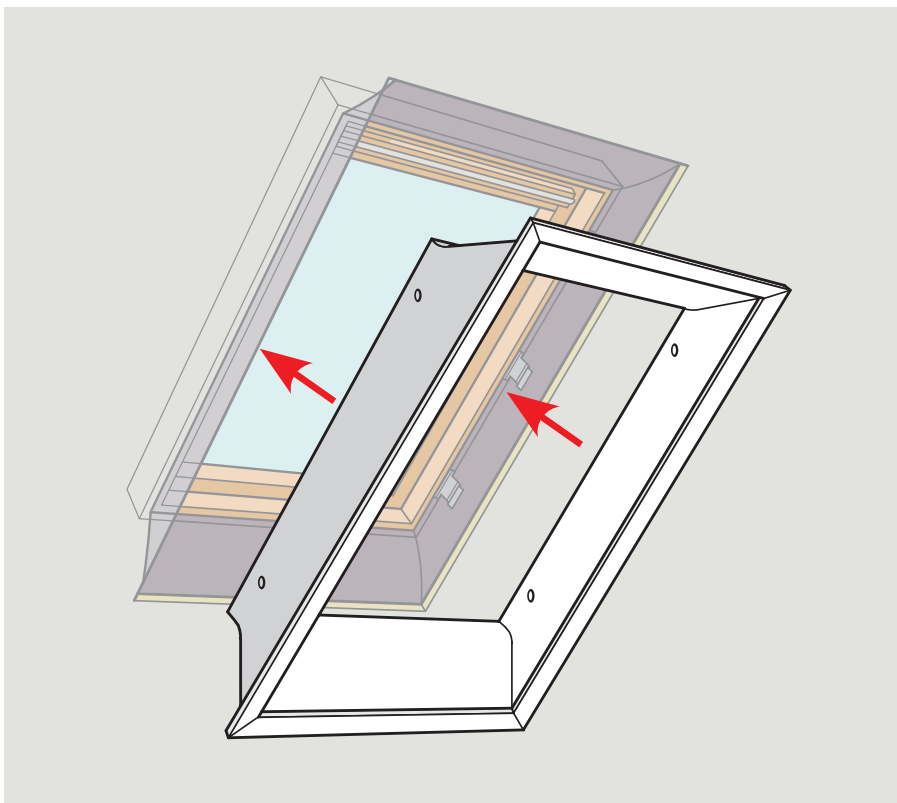
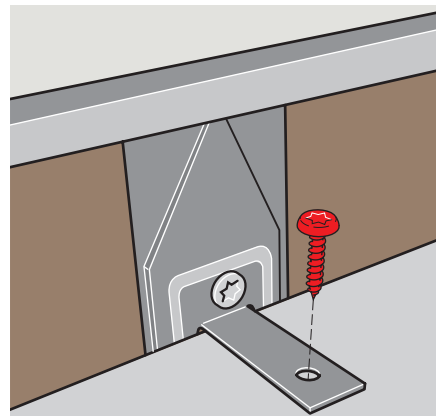
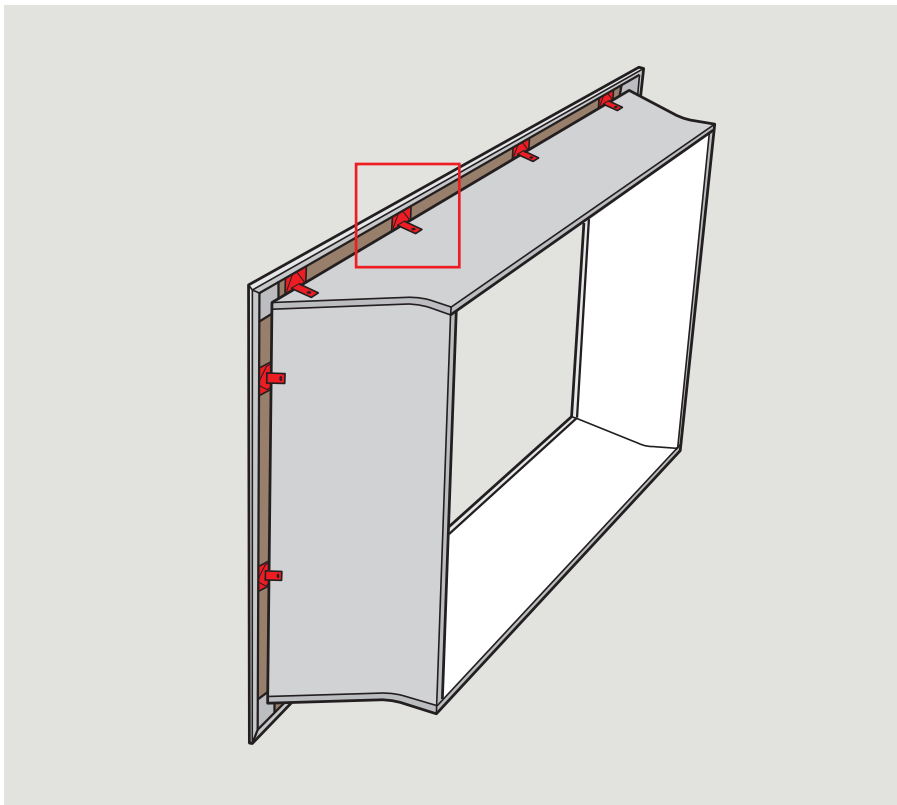
9



10

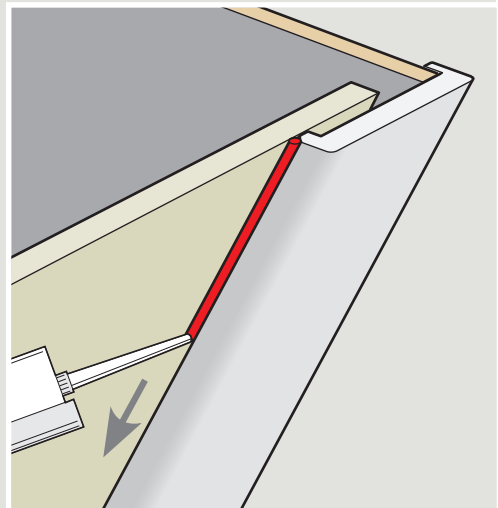
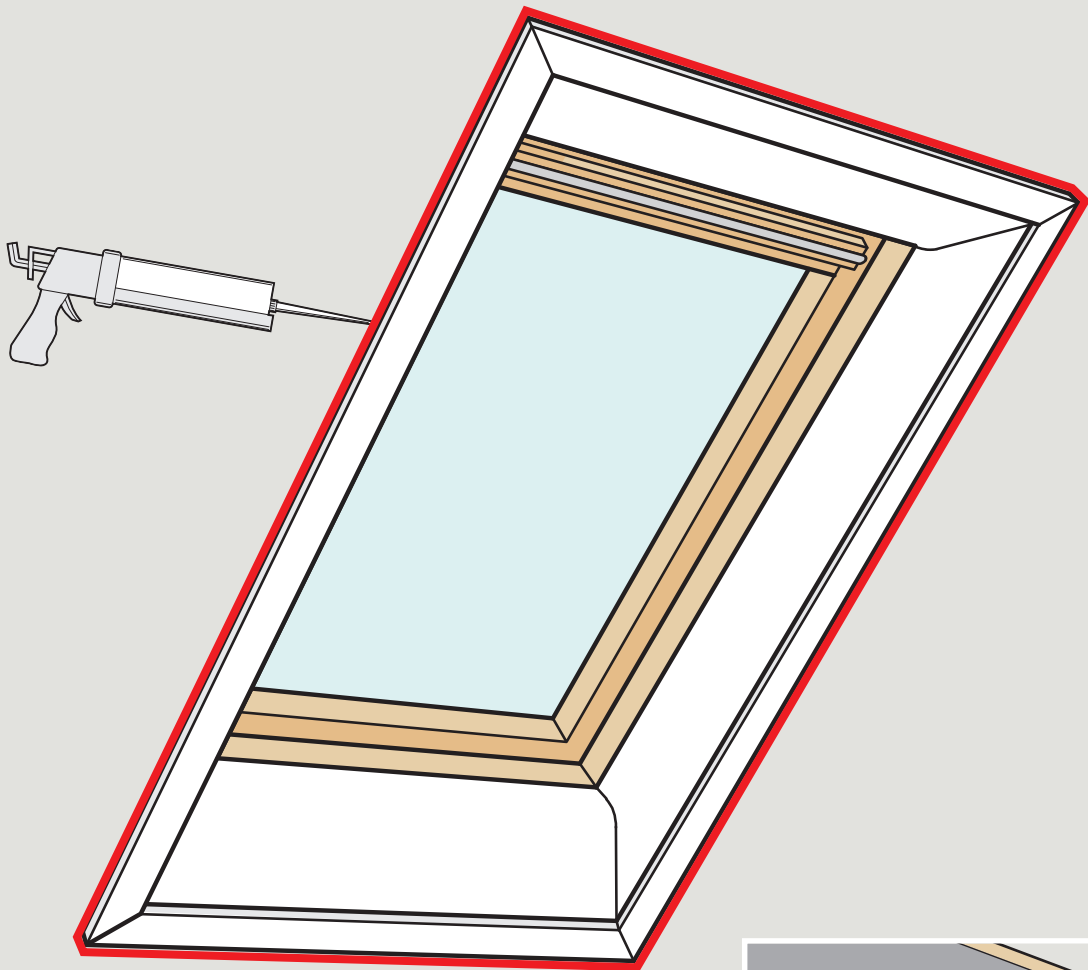


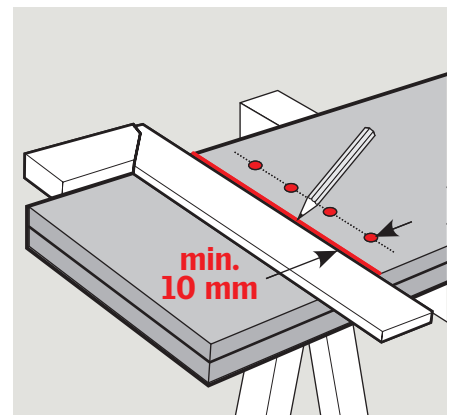
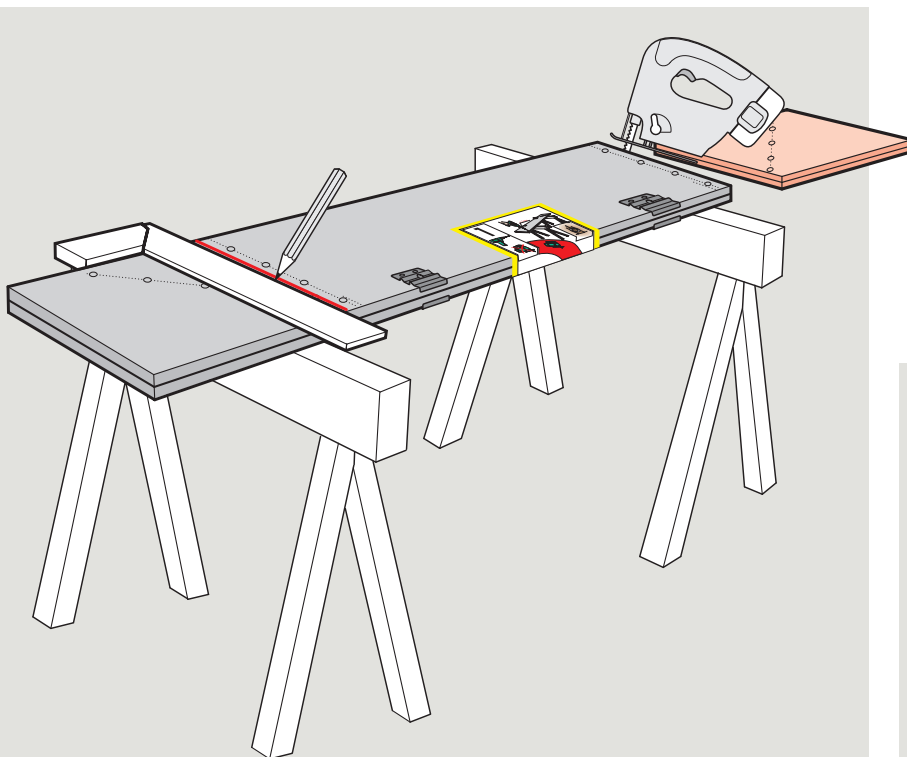
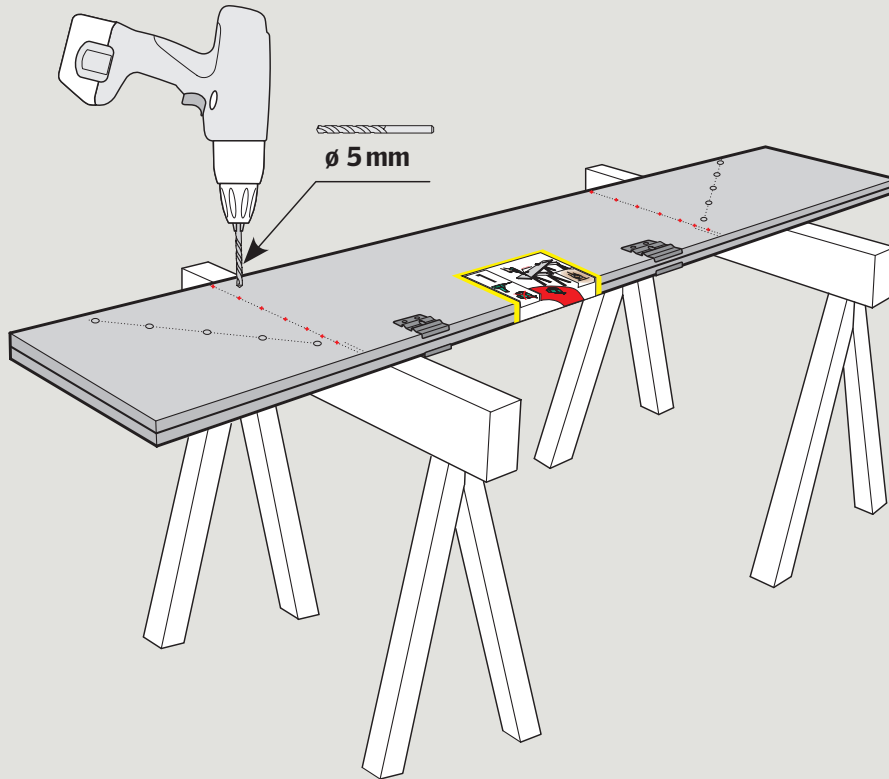
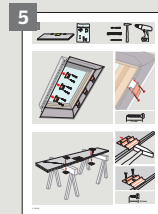
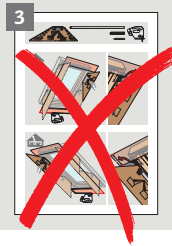
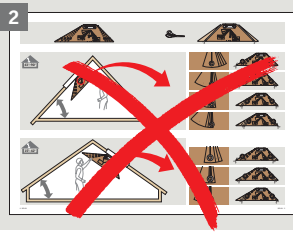
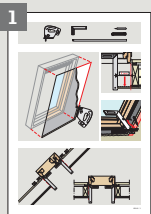
11

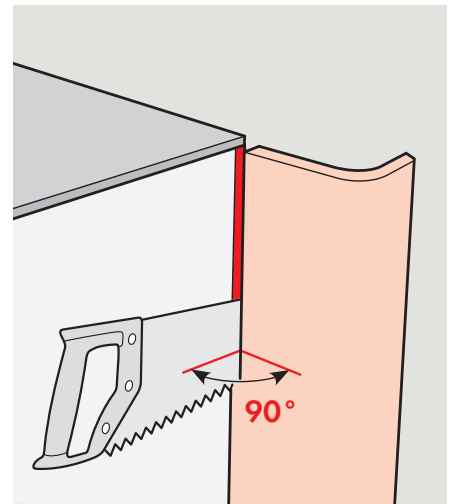
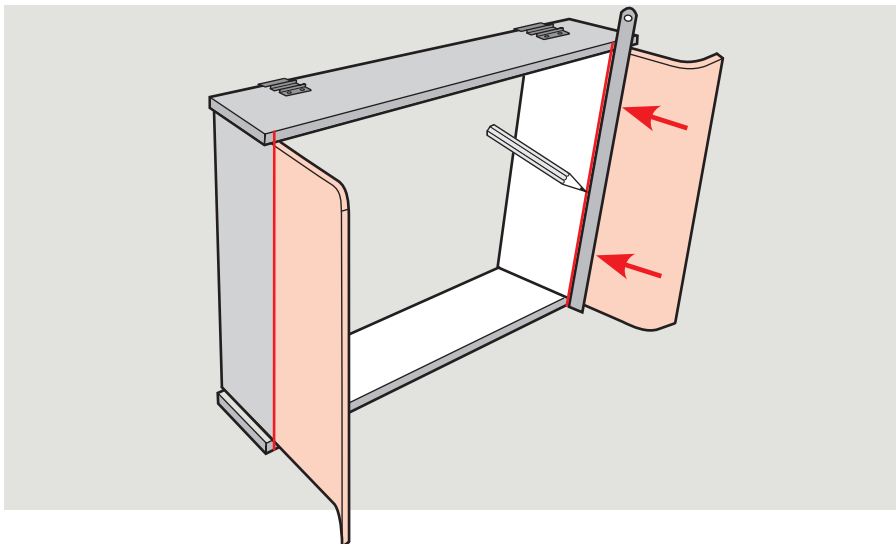
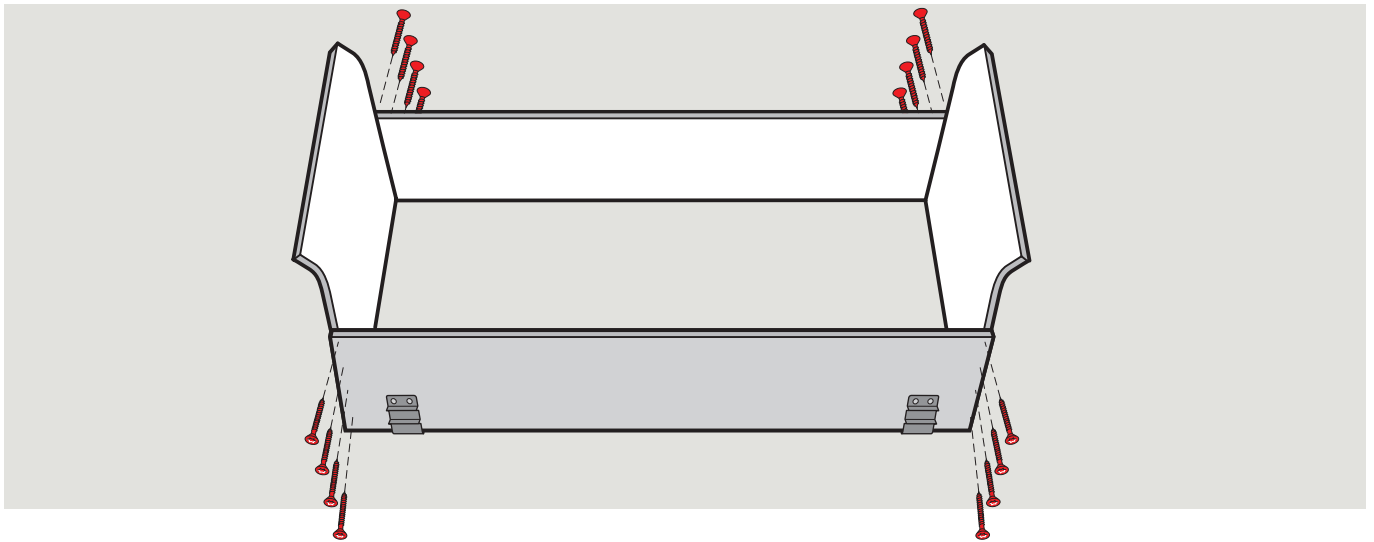
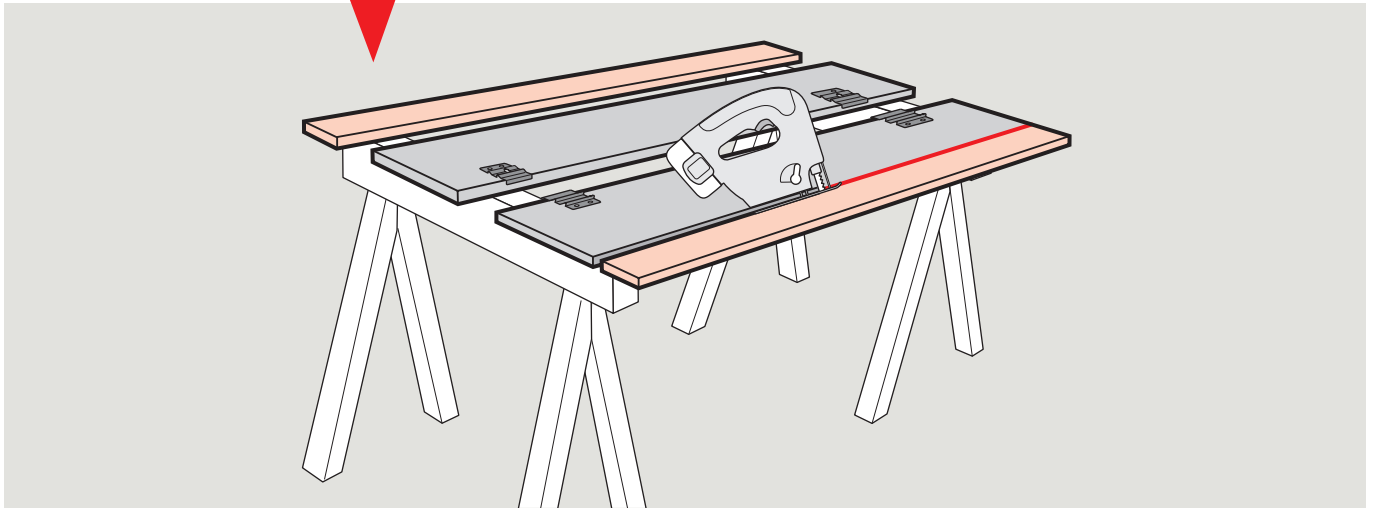
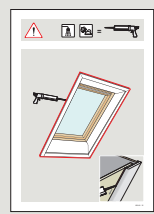
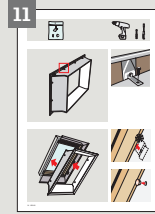
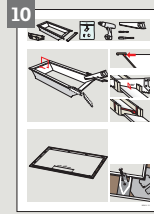
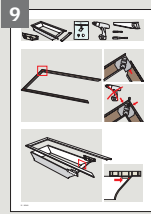


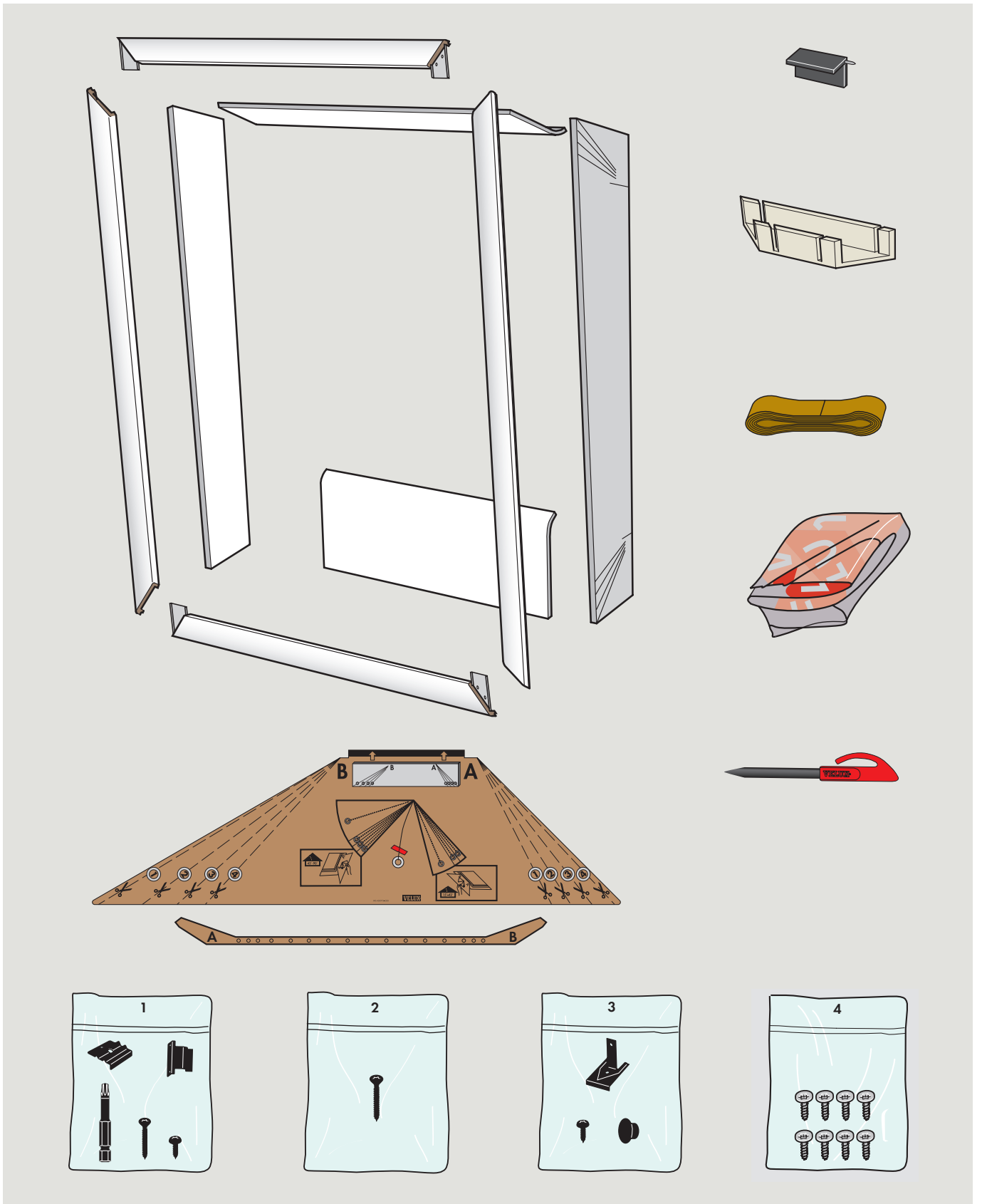
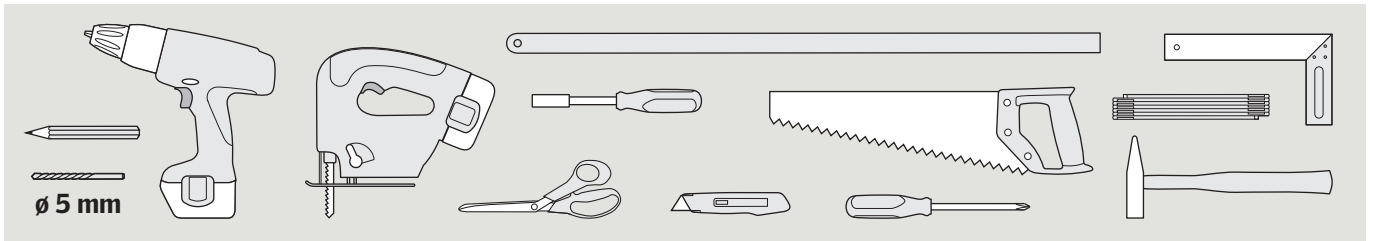


=









AR: VELUX Argentina S.A. 0 114 711 5666	EE: VELUX Eesti OÜ 621 7790	NZ: VELUX New Zealand Ltd. 09-6344 126
AT: VELUX Österreich GmbH 02245/32 3 50	ES: VELUX Spain, S.A. 91 509 71 00	PL: VELUX Polska Sp. z o.o. (022) 33 77 000 / 33 77 070
AU: VELUX Australia Pty. Ltd. (02) 9550 3288	FI: VELUX Suomi Oy 09-887 0520	PT: VELUX Portugal, Lda 21 880 00 60
BA: VELUX Bosna i Hercegovina d.o.o. 033/626 493, 626 494	FR: VELUX France 0821 02 15 15 0,119€ TTC/min	RO: VELUX România S.R.L. 0-8008-83589
BE: VELUX Belgium (010) 42.09.09	GB: VELUX Company Ltd. 0870 380 9593	RS: Srbija d.o.o. 011 3670 468
BG: VELUX Bulgaria EOOD 02/955 95 26	HR: VELUX Hrvatska d.o.o. 01/5555 444	RU: VELUX Rossia ZAO (495) 737 75 20
BY: VELUX Roof Windows FE (017) 217 7385	HU: VELUX Magyarország Kft. (06/1) 436-0601	SE: VELUX Svenska AB 042/20 83 80
CA: VELUX Canada Inc. 1 800 88-VELUX (888-3589)	IE: VELUX Company Ltd. 1800 409 750	SI: VELUX Slovenija d.o.o. 01 724 68 68
CH: VELUX Schweiz AG 0848 945 549	IT: VELUX Italia s.p.a. 045/6173666	SK: VELUX Slovensko, s.r.o. (02) 33 000 555
CL: VELUX Chile Limitada 2-231 18 24	JP: VELUX-Japan Ltd. 0570-00-8145	TR: VELUX Çatı Pencereleri Ticaret Limited Şirketi 0 216 302 54 10
CN: VELUX (CHINA) CO. LTD. 0316-607 27 27	LT: VELUX Lietuva, UAB (85) 270 91 01	UA: VELUX Ukraina TOV (044) 490 5703
CZ: VELUX Česká republika, s.r.o. 531 015 511	LV: VELUX Latvia SIA 67 27 77 33	US: VELUX America Inc. 1-800-88-VELUX
DE: VELUX Deutschland GmbH 0180-333 33 99	NL: VELUX Nederland B.V. 030 - 6 629 629	
DK: VELUX Danmark A/S 45 16 45 16	NO: VELUX Norge AS 22 51 06 00	