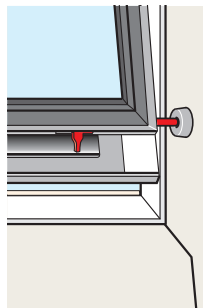
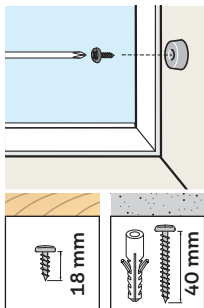
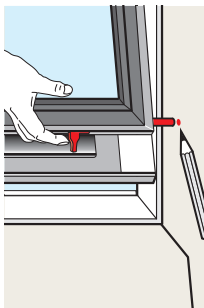
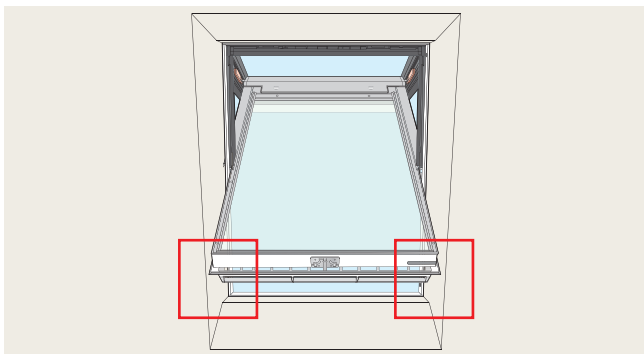


**VELUX®**

# SST Solar



INSTALLATION INSTRUCTIONS FOR SST SOLAR. ©2015-2024 VELUX GROUP.  
©VELUX AND THE VELUX LOGO ARE REGISTERED TRADEMARKS USED UNDER LICENCE BY THE VELUX GROUP.



VAS 454012-2024-12