

VELUX curved glass ISD 1093

VELUX®



Available base units



CFP 73Q fixed



CFP 73QV fixed



CFP 73 fixed



CVP 73QD electric



CVP 73Q electric



CVP 73QV electric



CVP 73QV electric



CVP 73 electric



CVP 73 electric

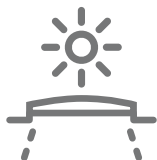
The innovative, maintenance-free curved glass top unit is a revolution in flat-roof window design. The premium choice for homeowners that are looking for a glass-to-edge design that boosts the appearance of their homes and delivers a full, clear view. Engineered to reduce noise from traffic and weather, and compatible with interior sunscreening and heat protection accessories.

- Complement your flat roof with the innovative CurveTech glass construction that offers a unique, premium look.
- Increase your comfort and the lifetime of your flat-roof window with the maintenance-free, scratch-resistant, sleek glass top.
- Rain water and leaves are easily drained away, even in roofs with 0° pitch.
- Enjoy comfortable control of heat and light with our complete selection of blinds for flat-roof windows.
- Get maximum protection from extreme weather with the toughened, scratch-resistant outer glass.
- Enjoy a quieter indoor environment from the efficient sound reduction of outside noises.
- Window sealant is placed underneath the outer glass to provide a cleaner, more durable finish.



Application guidance

The curved glass top unit can be installed with all base units (except flat-roof smoke ventilation window CSP and flat-roof exit window CXP) within the roof pitch range of 0° to 15°.



Combine the curved glass top unit with a base unit that meets your need for daylight and ventilation. Choose the electrically-vented base unit CVP for fresh air at the touch of a button or the fixed base unit CFP if your primary need is to bring daylight into the room.

Available sizes and daylight area

Compatible Base Units

A CVP 73 electric E CVP 73QD electric J CFP 73Q fixed
 B CVP 73QV electric G CFP 73 fixed M CVP 73 electric
 D CVP 73Q electric H CFP 73QV fixed N CVP 73QV electric

	600	800	900	1000	1200
600	ISD 060060 (0.19) A, B, D, E, G, H, J, M				
800		ISD 080080 (0.40) A, B, D, E, G, H, J			
900	ISD 060090 (0.32) A, B, D, E, G, H, J		ISD 090090 (0.54) A, B, D, E, G, H, J		
1000				ISD 100100 (0.70) A, B, D, E, G, H, J	
1200			ISD 090120 (0.76) A, B, D, E, G, H, J		ISD 120120 (1.07) A, B, D, E, G, H, J, N
1500				ISD 100150 (1.11) A, B, D, E, G, H, J	

All measurements are in mm. () = Effective daylight area, m²

*A=large sizes with glazing variant -A

Technical values

Overview of technical values for the product, covering among other, CE marking in accordance with EN 1873 or EAD 200062-00-0401

Window characteristics	CFP 73QV + ISD 1093	CFP 73UT + ISD 1093	CVP Electric 73QV + ISD 1093	CVP Electric 73UT + ISD 1093
Air permeability, [class]	4	4	4	4
Thermal transmittance $U_{rc,ref300}$ (CE-marked) (U-value)	0.72	0.76	0.72	0.76
Arc, ref300 (U-value transmission area)	3.8	3.8	3.8	3.8
Light transmittance (τ_v) (τ)	0.72	0.72	0.72	0.72
Sound insulation (R_w) $R_{w,dB}$ [dB]	36	36	37	31
Total solar energy transmittance (g-value) (g)	0.51	0.53	0.51	0.53
Ultraviolet transmittance (τ_{uv}) (τ_{uv})	0.05	0.05	0.05	0.05
Burglar resistance window [class]	RC2	npd	RC2	npd
Frame factor	0.26	0.26	0.26	0.26
Air permeability, [class]	4	4	4	4
Reaction to fire [class]	B-s1,d0	B-s1,d0	B-s1,d0	B-s1,d0
Bonding of cover glass (glass of top unit) [class]	$\Delta X \geq 0.75$	$\Delta X \geq 0.75$	$\Delta X \geq 0.75$	$\Delta X \geq 0.75$
External fire performance - European [class]	npd	npd	npd	npd
External fire performance - British [class]	npd	npd	npd	npd
Impact resistance [class]	3	3	3	3
Impact resistance large soft body [class]	N/A	N/A	N/A	N/A
Impact resistance small hard body [class]	N/A	N/A	N/A	N/A
Rain noise (Lia)	49	49	49	49
Resistance to downward loads	N/A	N/A	N/A	N/A
Resistance to fire [class]	npd	npd	npd	npd
Resistance to snow load	*	*	*	*
Resistance to upward load	N/A	N/A	N/A	N/A
Resistance to wind load [class]	C3	C3	C3	C3
Water tightness [class]	9A	9A	9A	9A

NPD: No Performance Determined

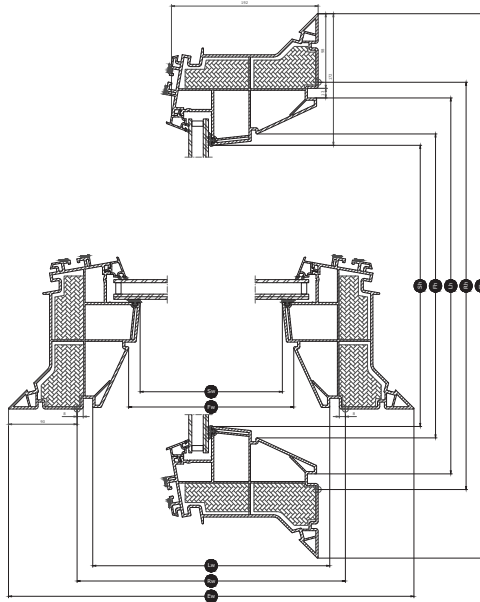
* : See glazing composition

VELUX fixed flat-roof window CFP U, Glazing 73UT



An easy and effective way to bring daylight into rooms with little or no natural light, the fixed base unit CFP U transforms any space from dark and dull to bright and beautiful. ThermoTechnology™ insulation and energy-efficient double-glazing keep your home warm and increase your indoor comfort. Compatible with all VELUX flat-roof top units.

- Tilted interior frame design increases the amount of daylight that enters your room.
- ThermoTechnology™ insulation and double-glazed glazing increases overall energy-efficiency.
- The maintenance-free white PVC base unit reflects more natural light to brighten your room.



Width		060	080	090	100	120	150
Sw	Sash aperture width	435	635	735	835	1035	1335
Fw	Frame aperture width (Fw)	463	663	763	863	1063	1363
Lw	Inside groove measure width	559	759	859	959	1159	1459
Rw	Roof opening	600	800	900	1000	1200	1500
Ew	Exterior frame width	780	980	1080	1180	1380	1680

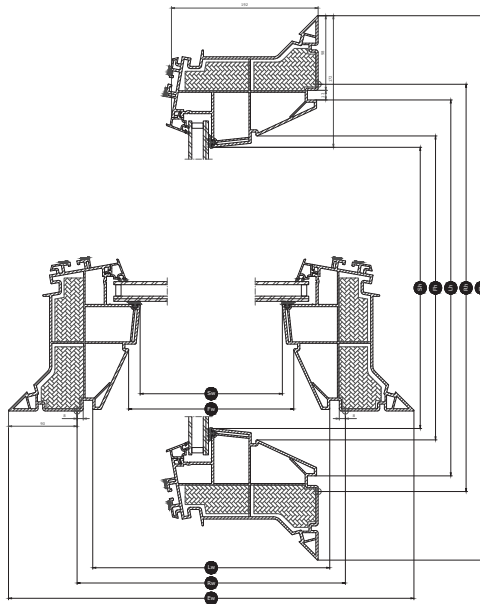
Height		060	080	090	100	120	150
Sh	Sash aperture height	435	635	735	835	1035	1035
Fh	Frame aperture height	463	663	763	863	1063	1063
Lh	Inside groove measure height	559	759	859	959	1159	1459
Rh	Roof opening	600	800	900	1000	1200	1500
Eh	Exterior frame height	780	980	1080	1180	1380	1680

VELUX flat-roof window CFP Q, Glazing 73FQV



The fixed base unit CFP Q transforms any space from dark and dull to bright and beautiful. A burglary-resistant construction delivers maximum security while an insulated ThermoTechnology™ construction and low-energy glazing with energy coatings help keep your home warm and energy costs low. Compatible with all VELUX flat-roof top units.

- Tilted interior frame design increases the amount of daylight that enters your room.
- ThermoTechnology™ insulation and double-glazed glazing deliver enhanced energy efficiency.
- The maintenance-free white PVC base unit reflects more natural light to brighten your room.



Width		060	080	090	100	120	150
Sw	Sash aperture width	435	635	735	835	1035	1335
Fw	Frame aperture width (Fw)	463	663	763	863	1063	1363
Lw	Inside groove measure width	559	759	859	959	1159	1459
Rw	Roof opening	600	800	900	1000	1200	1500
Ew	Exterior frame width	780	980	1080	1180	1380	1680

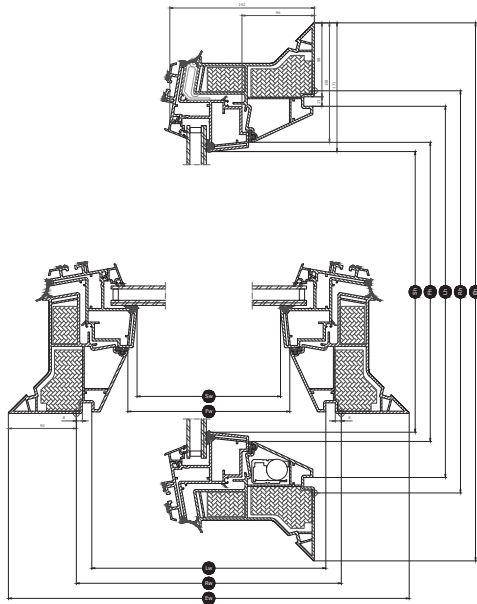
Height		060	080	090	100	120	150
Sh	Sash aperture height	435	635	735	835	1035	1035
Fh	Frame aperture height	463	663	763	863	1063	1063
Lh	Inside groove measure height	559	759	859	959	1159	1459
Rh	Roof opening	600	800	900	1000	1200	1500
Eh	Exterior frame height	780	980	1080	1180	1380	1680

VELUX electric flat-roof window CVP, Glazing 73UT



Add natural light and remote-controlled ventilation to your home with an electric base unit CVP U. ThermoTechnology™ insulation and double-glazing increase your indoor comfort and help keep your home warm. A rain sensor automatically closes the window if it rains for additional peace of mind. Compatible with all VELUX flat-roof window top units.

- Tilted interior frame design increases the amount of daylight that enters your room.
- The wall switch is pre-paired to work with your window right out of the box.
- ThermoTechnology™ insulation and double-glazed glazing increases overall energy-efficiency.



Width		060	080	090	100	120	150
Sw	Sash aperture width	435	635	735	835	1035	1335
Fw	Frame aperture width (Fw)	463	663	763	863	1063	1363
Lw	Inside groove measure width	559	759	859	959	1159	1459
Rw	Roof opening	600	800	900	1000	1200	1500
Ew	Exterior frame width	780	980	1080	1180	1380	1680

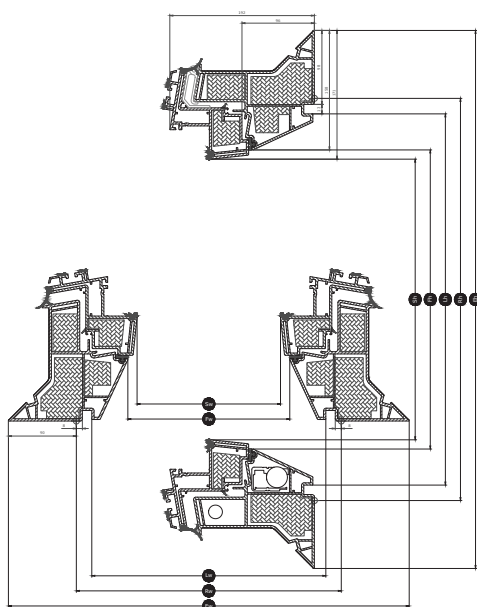
Height		060	080	090	100	120	150
Sh	Sash aperture height	435	635	735	835	1035	1035
Fh	Frame aperture height	463	663	763	863	1063	1063
Lh	Inside groove measure height	559	759	859	959	1159	1459
Rh	Roof opening	600	800	900	1000	1200	1500
Eh	Exterior frame height	780	980	1080	1180	1380	1680

VELUX burglary-resistant electric flat-roof window CVP ----QA, Glazing 73FQV



Enjoy ultimate convenience and remote-controlled ventilation with an electric base unit CVP QA. A burglary-resistant construction with P4A laminated inner glass delivers maximum security, while the insulated ThermoTechnology™ PVC construction and low-energy glazing with two energy coatings help keep your home warm and energy costs low. Compatible with all our top units.

- Tilted interior frame design increases the amount of daylight that enters your room.
- The wall switch is pre-paired to work with your window right out of the box.
- ThermoTechnology™ insulation and double-glazed glazing deliver enhanced energy efficiency.



Width		060	080	090	100	120	150
Sw	Sash aperture width	435	635	735	835	1035	1335
Fw	Frame aperture width (Fw)	463	663	763	863	1063	1363
Lw	Inside groove measure width	559	759	859	959	1159	1459
Rw	Roof opening	600	800	900	1000	1200	1500
Ew	Exterior frame width	780	980	1080	1180	1380	1680

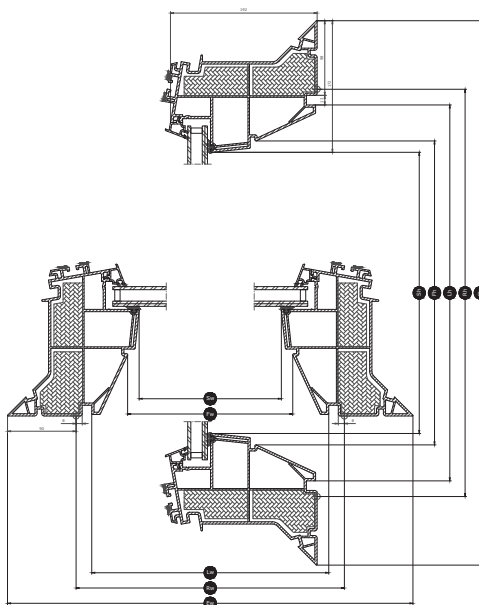
Height		060	080	090	100	120	150
Sh	Sash aperture height	435	635	735	835	1035	1035
Fh	Frame aperture height	463	663	763	863	1063	1063
Lh	Inside groove measure height	559	759	859	959	1159	1459
Rh	Roof opening	600	800	900	1000	1200	1500
Eh	Exterior frame height	780	980	1080	1180	1380	1680

VELUX flat-roof window CFP Q, Glazing 73FQV



The fixed base unit CFP Q transforms any space from dark and dull to bright and beautiful. A burglary-resistant construction delivers maximum security while an insulated ThermoTechnology™ construction and low-energy glazing with energy coatings help keep your home warm and energy costs low. Compatible with all VELUX flat-roof top units.

- Tilted interior frame design increases the amount of daylight that enters your room.
- ThermoTechnology™ insulation and double-glazed glazing deliver enhanced energy efficiency.
- The maintenance-free white PVC base unit reflects more natural light to brighten your room.



Width		060	080	090	100	120	150
Sw	Sash aperture width	435	635	735	835	1035	1335
Fw	Frame aperture width (Fw)	463	663	763	863	1063	1363
Lw	Inside groove measure width	559	759	859	959	1159	1459
Rw	Roof opening	600	800	900	1000	1200	1500
Ew	Exterior frame width	780	980	1080	1180	1380	1680

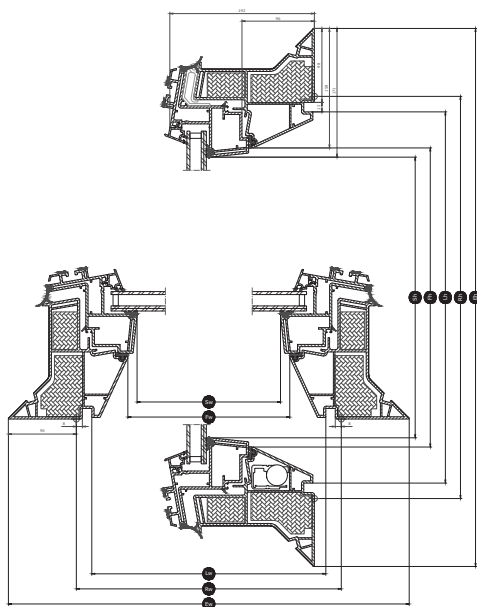
Height		060	080	090	100	120	150
Sh	Sash aperture height	435	635	735	835	1035	1035
Fh	Frame aperture height	463	663	763	863	1063	1063
Lh	Inside groove measure height	559	759	859	959	1159	1459
Rh	Roof opening	600	800	900	1000	1200	1500
Eh	Exterior frame height	780	980	1080	1180	1380	1680

VELUX burglary-resistant electric flat-roof window CVP ----QFA, Glazing 73FQV



Enjoy ultimate convenience and remote-controlled ventilation with an electric base unit CVP QFA. A burglary-resistant construction with P4A laminated inner glass delivers maximum security, while the insulated ThermoTechnology™ PVC construction and low-energy glazing with two energy coatings help keep your home warm and energy costs low. Compatible with all our top units.

- Tilted interior frame design increases the amount of daylight that enters your room.
- The wall switch is pre-paired to work with your window right out of the box.
- ThermoTechnology™ insulation and double-glazed glazing deliver enhanced energy efficiency.



Width		060	080	090	100	120	150
Sw	Sash aperture width	435	635	735	835	1035	1335
Fw	Frame aperture width (Fw)	463	663	763	863	1063	1363
Lw	Inside groove measure width	559	759	859	959	1159	1459
Rw	Roof opening	600	800	900	1000	1200	1500
Ew	Exterior frame width	780	980	1080	1180	1380	1680

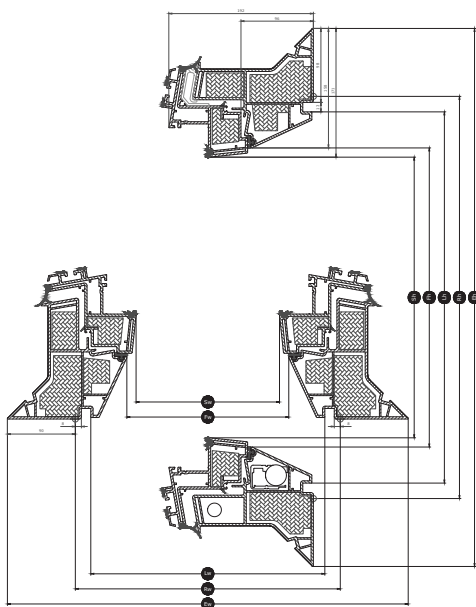
Height		060	080	090	100	120	150
Sh	Sash aperture height	435	635	735	835	1035	1035
Fh	Frame aperture height	463	663	763	863	1063	1063
Lh	Inside groove measure height	559	759	859	959	1159	1459
Rh	Roof opening	600	800	900	1000	1200	1500
Eh	Exterior frame height	780	980	1080	1180	1380	1680

VELUX burglary-resistant electric flat-roof window CVP ----QDA, Glazing 73FQV



Enjoy ultimate convenience and remote-controlled ventilation with an electric base unit CVP QDA. A burglary-resistant construction with P4A laminated inner pane delivers maximum security, while the insulated ThermoTechnology™ construction and low-energy glazing with energy coatings help keep your home warm and energy costs low. Compatible with all our top units.

- Tilted interior frame design increases the amount of daylight that enters your room.
- The wall switch is pre-paired to work with your window right out of the box.
- ThermoTechnology™ insulation and double-glazed glazing deliver enhanced energy efficiency.



Width		060	080	090	100	120
Sw	Sash aperture width	435	635	735	835	1035
Fw	Frame aperture width (Fw)	463	663	763	863	1063
Lw	Inside groove measure width	559	759	859	959	1159
Rw	Roof opening	600	800	900	1000	1200
Ew	Exterior frame width	780	980	1080	1180	1380

Height		060	080	090	100	120	150
Sh	Sash aperture height	435	635	735	835	1035	1035
Fh	Frame aperture height	463	663	763	863	1063	1063
Lh	Inside groove measure height	559	759	859	959	1159	1459
Rh	Roof opening	600	800	900	1000	1200	1500
Eh	Exterior frame height	780	980	1080	1180	1380	1680

Insulating glass unit structure

	Glazing 73FQV	Glazing 73QV	Glazing 73UT
Composition (from inside to outside)	7.5 mm laminated float glass - 14,5 mm Argon - 4 mm float glass	7.5 mm laminated float glass - 14,5 mm Argon - 4 mm float glass	6.8 mm laminated float glass - 14,5 mm Argon - 4 mm float glass

Cleaning and maintenance



Cleaning of the top unit is only possible from the outside. When cleaning the top unit, do not open the window. For electrical windows, switch off the mains supply.

To clean inner surface of top unit and outer glass surface of base unit, remove cover caps and screws to remove the top unit and fasten again after cleaning.

In regions with heavy snowfall, snow masses on the flat-roof window must be removed on a regular basis.

Guarantee period

Blinds and awnings

Complete your VELUX flat roof window with a blind for complete comfort. Choose from a range of blinds, including a translucent pleated blind for softening the light, anti-heat blind for heat protection and blackout energy pleated blind for darkening the room.

Use VELUX App Control or VELUX ACTIVE with NETATMO for smartphone control of your vented flat roof window and blinds.

Further information

We reserve the right to make technical changes.

For more information on our products, please visit <https://velux.com>.