

VELUX dome ISD 0010



Available base units



CFP 63QV fixed



CFP 73Q fixed



CFP 73QV fixed



CFP 73 fixed



CSP 73Q smoke
ventilation



CVP 63QV
electric



CVP 73QD electric



CVP 73Q electric



CVP 73QV
electric

The VELUX clear polycarbonate dome offers extra impact resistance and fire protection. The clear outer surface and good natural drainage properties deliver a clear and undisturbed view to the outside. Compatible with VELUX blinds for daylight control, light dimming and heat protection.

- Clear dome lets in more natural light for brighter indoor areas and better indoor comfort.
- Enjoy comfortable control of heat and light with our complete selection of blinds for flat-roof windows.
- Enjoy a quieter indoor environment from the efficient sound reduction of outside noises.
- Polycarbonate design delivers additional protection and fire resistance.
- Rain water and leaves are easily drained away, even in roofs with 0° pitch.
- Water and snow drains from the durable plastic dome because of its rounded shape.
- Find the perfect light and shade solution that meets your personal needs.



Application guidance

The dome top unit can be installed with all base units within the roof pitch range of 0° to 15°.



Combine the dome with a base unit that meets your need for daylight and ventilation. Choose the electrically-vented base unit CVP for fresh air at the touch of a button or the fixed base unit CFP if your primary need is to bring daylight into the room.

Available sizes and daylight area

Compatible Base Units

A CVP 73 electric	F CVP 73U manual	K CXP 73Q exit
B CVP 73QV electric	G CFP 73 fixed	L CSP 73Q smoke ventilation
C CVP 63QV electric	H CFP 73QV fixed	M CVP 73 electric
D CVP 73Q electric	I CFP 63QV fixed	N CVP 73QV electric
E CVP 73QD electric	J CFP 73Q fixed	

	600	800	900	1000	1200	1500
600	ISD 060060 (0.19) A, B, D, E, F, G, H, J					
800		ISD 080080 (0.40) A, B, D, E, F, G, H, J				
900	ISD 060090 (0.32) A, B, D, E, F, G, H, J		ISD 090090 (0.54) A, B, D, E, F, G, H, J			
1000				ISD 100100 (0.70) A, B, D, E, F, G, H, J, K, L		
1200			ISD 090120 (0.76) A, B, D, E, F, G, H, J, K		ISD 120120 (1.07) A, B, D, E, F, G, H, J, K, L, N	
1500				ISD 100150 (1.11) A, B, D, E, F, G, H, J		ISD 150150 (1.78) A, B, C, D, G, H, I, J, M

All measurements are in mm. () = Effective daylight area, m² [] = Geometric free area, m²

*A=large sizes with glazing variant -A

Technical values

Overview of technical values for the product, covering among other, CE marking in accordance with EN 1873 or EAD 200062-00-0401

Window characteristics	CFP 630K + ISD 0010	CFP 730V + ISD 0010	CFP 73UT + ISD 0010	CSP 730V + ISD 0010	CVP Electric 630K + ISD 0010	CVP Electric 730V + ISD 0010	CVP Electric 73UT + ISD 0010	CVP Manual 73UT + ISD 0010	CXP 730V + ISD 0010
Air permeability, [class]	A3	A3	A3	4	4	4	4	4	4
Thermal transmittance $U_{rc,ref300}$ (CE-marked) (U-value)	0.87	0.80	0.87	0.99	0.87	0.80	0.87	0.87	0.86
Arc, ref300 (U-value transmission area)	3.4	3.4	3.4	3.4	3.4	3.4	3.4	3.4	3.4
Light transmittance (τ_v) (τ)	0.65	0.70	0.70	0.70	0.65	0.70	0.70	0.70	0.70
Sound insulation (R_w) $R_{w,dB}$ [dB]	36	36	36	33	36	36	30	30	36
Total solar energy transmittance (g-value) (g)	0.47	0.50	0.52	0.50	0.47	0.50	0.52	0.52	0.50
Ultraviolet transmittance (τ_{uv}) (τ_{uv})	0.05	0.05	0.05	0.05	0.05	0.05	0.05	0.05	0.05
Burglar resistance window [class]	npd	RC2	npd	RC2	npd	RC2	npd	npd	npd
Frame factor	N/A	N/A	N/A	N/A	N/A	N/A	N/A	N/A	N/A
Air permeability, [class]	A3	A3	A3	4	4	4	4	4	4
Reaction to fire [class]	B-s1,d0	B-s1,d0	B-s1,d0	B-s1,d0	B-s1,d0	B-s1,d0	B-s1,d0	B-s1,d0	B-s1,d0
Bonding of cover glass (glass of top unit) [class]	N/A	N/A	N/A	N/A	N/A	N/A	N/A	N/A	N/A
External fire performance - European [class]	npd	npd	npd	npd	npd	npd	npd	npd	npd
External fire performance - British [class]	AA	AA	AA	AA	AA	AA	AA	AA	AA
Impact resistance [class]	N/A	N/A	N/A	N/A	N/A	N/A	N/A	N/A	N/A
Impact resistance large soft body [class]	SB 1200	SB 1200	SB 1200	SB 1200	SB 1200	SB 1200	SB 1200	SB 1200	SB 1200
Impact resistance small hard body [class]	✓	✓	✓	✓	✓	✓	✓	✓	✓
Rain noise (Lia)	51	56	56	51	50	53	53	50	53
Resistance to downward loads	DL 2500	DL 2500	DL 2500	DL 2500	DL 2500	DL 2500	DL 2500	DL 2500	DL 2500
Resistance to fire [class]	npd	npd	npd	npd	npd	npd	npd	npd	npd
Resistance to snow load	N/A	N/A	N/A	N/A	N/A	N/A	N/A	N/A	N/A
Resistance to upward load	UL 1500	UL 1500	UL 1500	UL 1500	UL 1500	UL 1500	UL 1500	UL 1500	UL 1500
Resistance to wind load [class]	N/A	N/A	N/A	N/A	N/A	N/A	N/A	N/A	N/A
Water tightness [class]	✓	✓	✓	✓	✓	✓	✓	✓	✓

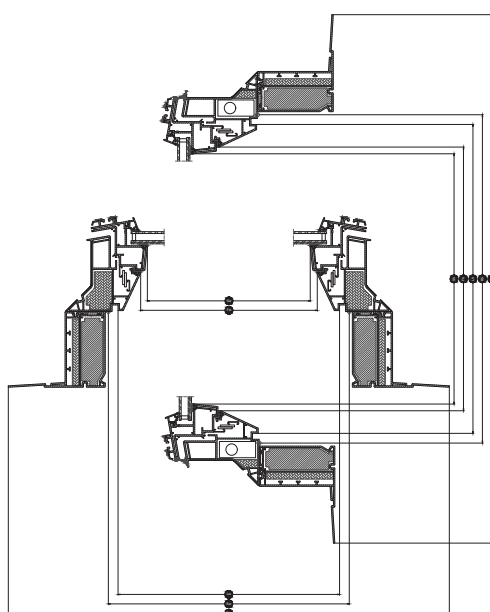
NPD: No Performance Determined

VELUX flat-roof smoke ventilation window CSP, Glazing 73FQV



The flat-roof smoke ventilation window CSP will automatically open in case of fire and meets all relevant EU legislative requirements. The window can be opened for fresh air when ventilation is needed. A burglar-proof construction provides additional security and a laminated inner pane prevents glass from splintering in the event of breakage.

- Tilted interior frame design increases the amount of daylight that enters your room.
- The maintenance-free white PVC base unit reflects more natural light to brighten your room.
- The high-quality motor opens quickly and quietly to provide fresh outside air.



Width		100	120
Sw	Sash aperture width	835	1035
Fw	Frame aperture width (Fw)	863	1063
Lw	Inside groove measure width	959	1159
Rw	Roof opening	1000	1200
Ew	Exterior frame width	1180	1380

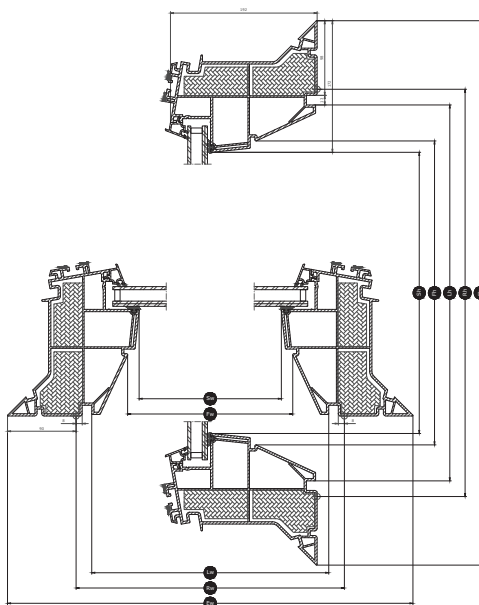
Height		100	120
Sh	Sash aperture height	835	1035
Fh	Frame aperture height	863	1063
Lh	Inside groove measure height	959	1159
Rh	Roof opening	1000	1200
Eh	Exterior frame height	1180	1380

VELUX fixed flat-roof window CFP U, Glazing 73UT



An easy and effective way to bring daylight into rooms with little or no natural light, the fixed base unit CFP U transforms any space from dark and dull to bright and beautiful. ThermoTechnology™ insulation and energy-efficient double-glazing keep your home warm and increase your indoor comfort. Compatible with all VELUX flat-roof top units.

- Tilted interior frame design increases the amount of daylight that enters your room.
- ThermoTechnology™ insulation and double-glazed glazing increases overall energy-efficiency.
- The maintenance-free white PVC base unit reflects more natural light to brighten your room.



Width		060	080	090	100	120	150
Sw	Sash aperture width	435	635	735	835	1035	1335
Fw	Frame aperture width (Fw)	463	663	763	863	1063	1363
Lw	Inside groove measure width	559	759	859	959	1159	1459
Rw	Roof opening	600	800	900	1000	1200	1500
Ew	Exterior frame width	780	980	1080	1180	1380	1680

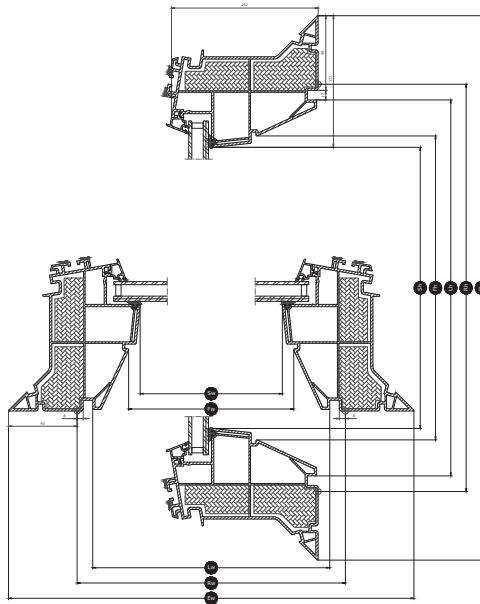
Height		060	080	090	100	120	150
Sh	Sash aperture height	435	635	735	835	1035	1035
Fh	Frame aperture height	463	663	763	863	1063	1063
Lh	Inside groove measure height	559	759	859	959	1159	1459
Rh	Roof opening	600	800	900	1000	1200	1500
Eh	Exterior frame height	780	980	1080	1180	1380	1680

VELUX flat-roof window CFP Q, Glazing 73FQV



The fixed base unit CFP Q transforms any space from dark and dull to bright and beautiful. A burglary-resistant construction delivers maximum security while an insulated ThermoTechnology™ construction and low-energy glazing with energy coatings help keep your home warm and energy costs low. Compatible with all VELUX flat-roof top units.

- Tilted interior frame design increases the amount of daylight that enters your room.
- ThermoTechnology™ insulation and double-glazed glazing deliver enhanced energy efficiency.
- The maintenance-free white PVC base unit reflects more natural light to brighten your room.



Width		060	080	090	100	120	150
Sw	Sash aperture width	435	635	735	835	1035	1335
Fw	Frame aperture width (Fw)	463	663	763	863	1063	1363
Lw	Inside groove measure width	559	759	859	959	1159	1459
Rw	Roof opening	600	800	900	1000	1200	1500
Ew	Exterior frame width	780	980	1080	1180	1380	1680

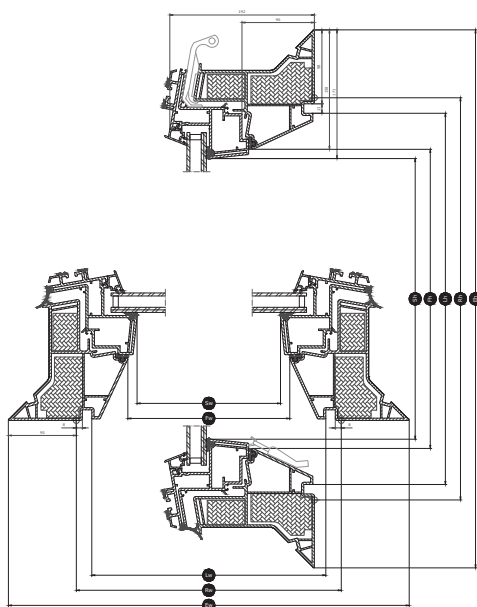
Height		060	080	090	100	120	150
Sh	Sash aperture height	435	635	735	835	1035	1035
Fh	Frame aperture height	463	663	763	863	1063	1063
Lh	Inside groove measure height	559	759	859	959	1159	1459
Rh	Roof opening	600	800	900	1000	1200	1500
Eh	Exterior frame height	780	980	1080	1180	1380	1680

VELUX flat-roof exit window CXP, Glazing 73FQV



The manually operated flat-roof exit window CXP opens extra wide to provide easy access to the roof. A laminated inner pane prevents glass from splintering in the event of breakage. Available with an acrylic and polycarbonate dome. The flat-roof exit window meets all relevant EU legislative requirements.

- Tilted interior frame design increases the amount of daylight that enters your room.
- The maintenance-free white PVC base unit reflects more natural light to brighten your room.
- Repairs can be performed without replacing the entire window thanks to the modular design.



Width		090	100	120
Sw	Sash aperture width	735	835	1035
Fw	Frame aperture width (Fw)	763	863	1063
Lw	Inside groove measure width	859	959	1159
Rw	Roof opening	900	1000	1200
Ew	Exterior frame width	1080	1180	1380

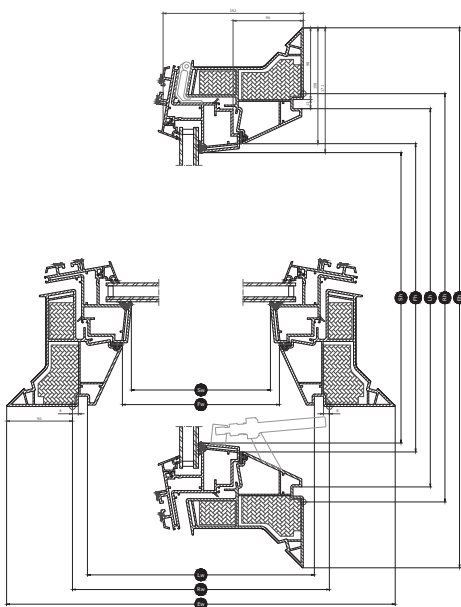
Height		100	120
Sh	Sash aperture height	835	1035
Fh	Frame aperture height	863	1063
Lh	Inside groove measure height	959	1159
Rh	Roof opening	1000	1200
Eh	Exterior frame height	1180	1380

VELUX manually operated flat-roof window CVP 0073U, Glazing 73UT



Add natural daylight and fresh air to your home at a price that matches most budgets with the manually operated base unit CVP. The flat-roof window is easily operated using a practical telescopic rod. Offers all the basic benefits of a flat-roof window at an attractive price. Compatible with our acrylic and polycarbonate domes.

- Tilted interior frame design increases the amount of daylight that enters your room.
- ThermoTechnology™ insulation and double-glazed glazing increases overall energy-efficiency.
- The maintenance-free white PVC base unit reflects more natural light to brighten your room.



Width		060	080	090	100	120
Sw	Sash aperture width	435	635	735	835	1035
Fw	Frame aperture width (Fw)	463	663	763	863	1063
Lw	Inside groove measure width	559	759	859	959	1159
Rw	Roof opening	600	800	900	1000	1200
Ew	Exterior frame width	780	980	1080	1180	1380

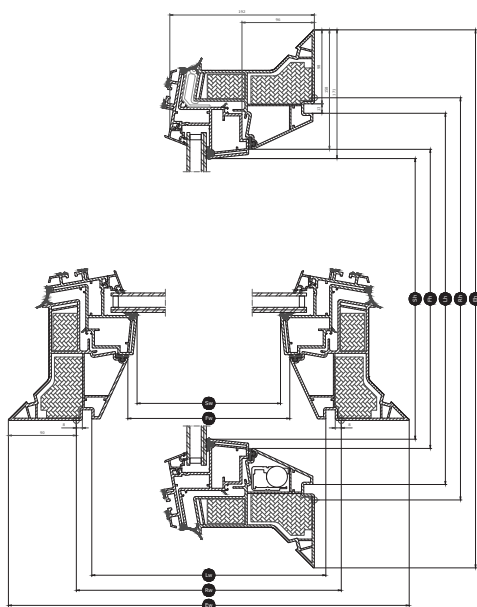
Height		060	080	090	100	120	150
Sh	Sash aperture height	435	635	735	835	1035	1035
Fh	Frame aperture height	463	663	763	863	1063	1063
Lh	Inside groove measure height	559	759	859	959	1159	1459
Rh	Roof opening	600	800	900	1000	1200	1500
Eh	Exterior frame height	780	980	1080	1180	1380	1680

VELUX electric flat-roof window CVP, Glazing 73UT



Add natural light and remote-controlled ventilation to your home with an electric base unit CVP U. ThermoTechnology™ insulation and double-glazing increase your indoor comfort and help keep your home warm. A rain sensor automatically closes the window if it rains for additional peace of mind. Compatible with all VELUX flat-roof window top units.

- Tilted interior frame design increases the amount of daylight that enters your room.
- The wall switch is pre-paired to work with your window right out of the box.
- ThermoTechnology™ insulation and double-glazed glazing increases overall energy-efficiency.



Width		060	080	090	100	120	150
Sw	Sash aperture width	435	635	735	835	1035	1335
Fw	Frame aperture width (Fw)	463	663	763	863	1063	1363
Lw	Inside groove measure width	559	759	859	959	1159	1459
Rw	Roof opening	600	800	900	1000	1200	1500
Ew	Exterior frame width	780	980	1080	1180	1380	1680

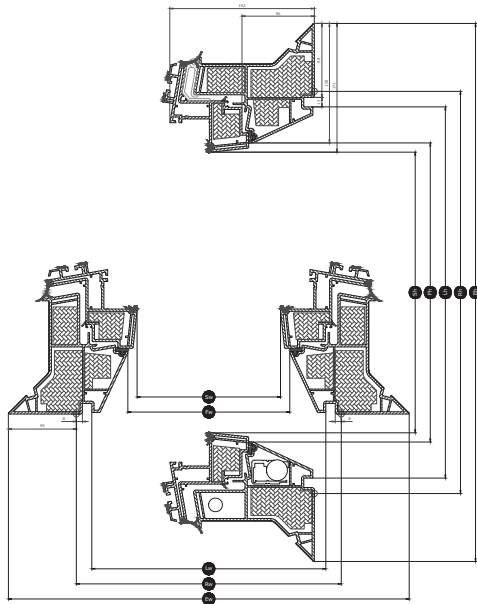
Height		060	080	090	100	120	150
Sh	Sash aperture height	435	635	735	835	1035	1035
Fh	Frame aperture height	463	663	763	863	1063	1063
Lh	Inside groove measure height	559	759	859	959	1159	1459
Rh	Roof opening	600	800	900	1000	1200	1500
Eh	Exterior frame height	780	980	1080	1180	1380	1680

VELUX burglary-resistant electric flat-roof window CVP ----QA, Glazing 73FQV



Enjoy ultimate convenience and remote-controlled ventilation with an electric base unit CVP QA. A burglary-resistant construction with P4A laminated inner glass delivers maximum security, while the insulated ThermoTechnology™ PVC construction and low-energy glazing with two energy coatings help keep your home warm and energy costs low. Compatible with all our top units.

- Tilted interior frame design increases the amount of daylight that enters your room.
- The wall switch is pre-paired to work with your window right out of the box.
- ThermoTechnology™ insulation and double-glazed glazing deliver enhanced energy efficiency.



Width		060	080	090	100	120	150
Sw	Sash aperture width	435	635	735	835	1035	1335
Fw	Frame aperture width (Fw)	463	663	763	863	1063	1363
Lw	Inside groove measure width	559	759	859	959	1159	1459
Rw	Roof opening	600	800	900	1000	1200	1500
Ew	Exterior frame width	780	980	1080	1180	1380	1680

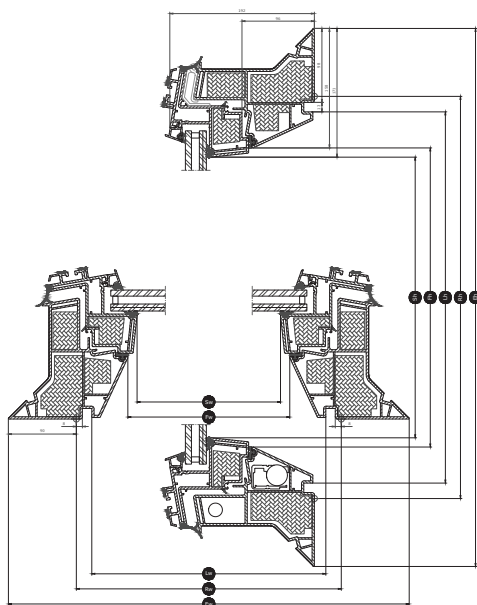
Height		060	080	090	100	120	150
Sh	Sash aperture height	435	635	735	835	1035	1035
Fh	Frame aperture height	463	663	763	863	1063	1063
Lh	Inside groove measure height	559	759	859	959	1159	1459
Rh	Roof opening	600	800	900	1000	1200	1500
Eh	Exterior frame height	780	980	1080	1180	1380	1680

VELUX burglary-resistant electric flat-roof window CVP ----Q, Glazing 63QK



Enjoy ultimate convenience and remote-controlled ventilation with an electric base unit CVP Q. A burglary-resistant construction with P4A laminated inner pane delivers maximum security, while the insulated ThermoTechnology™ construction and low-energy glazing with energy coatings help keep your home warm and energy costs low. Compatible with all our top units.

- Tilted interior frame design increases the amount of daylight that enters your room.
- The wall switch is pre-paired to work with your window right out of the box.
- ThermoTechnology™ insulation and double-glazed glazing deliver enhanced energy efficiency.



Width		150
Sw	Sash aperture width	1335
Fw	Frame aperture width (Fw)	1363
Lw	Inside groove measure width	1459
Rw	Roof opening	1500
Ew	Exterior frame width	1680

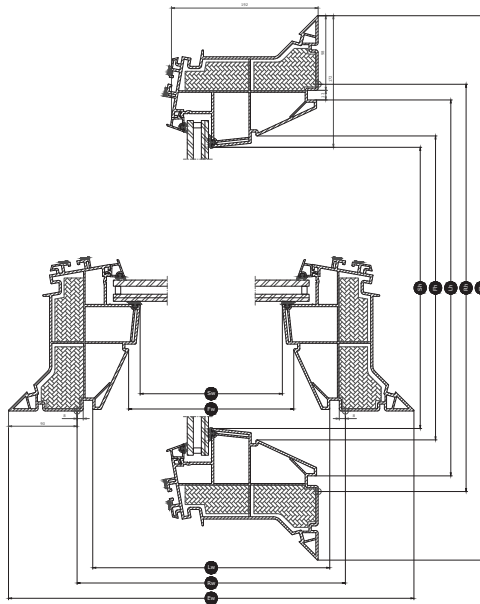
Height		150
Sh	Sash aperture height	1035
Fh	Frame aperture height	1063
Lh	Inside groove measure height	1459
Rh	Roof opening	1500
Eh	Exterior frame height	1680

VELUX flat-roof window CFP Q, Glazing 63QK



The fixed base unit CFP Q transforms any space from dark and dull to bright and beautiful. A burglary-resistant construction delivers maximum security while an insulated ThermoTechnology™ construction and low-energy glazing with energy coatings help keep your home warm and energy costs low. Compatible with all VELUX flat-roof top units.

- Tilted interior frame design increases the amount of daylight that enters your room.
- ThermoTechnology™ insulation and double-glazed glazing deliver enhanced energy efficiency.
- The maintenance-free white PVC base unit reflects more natural light to brighten your room.



Width		150
Sw	Sash aperture width	1335
Fw	Frame aperture width (Fw)	1363
Lw	Inside groove measure width	1459
Rw	Roof opening	1500
Ew	Exterior frame width	1680

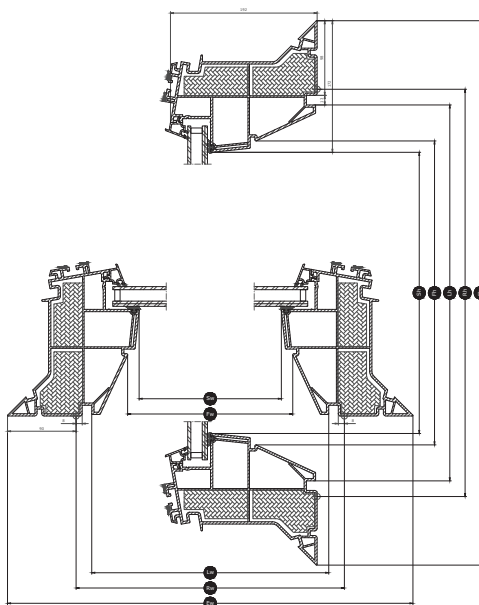
Height		150
Sh	Sash aperture height	1035
Fh	Frame aperture height	1063
Lh	Inside groove measure height	1459
Rh	Roof opening	1500
Eh	Exterior frame height	1680

VELUX flat-roof window CFP Q, Glazing 73FQV



The fixed base unit CFP Q transforms any space from dark and dull to bright and beautiful. A burglary-resistant construction delivers maximum security while an insulated ThermoTechnology™ construction and low-energy glazing with energy coatings help keep your home warm and energy costs low. Compatible with all VELUX flat-roof top units.

- Tilted interior frame design increases the amount of daylight that enters your room.
- ThermoTechnology™ insulation and double-glazed glazing deliver enhanced energy efficiency.
- The maintenance-free white PVC base unit reflects more natural light to brighten your room.



Width		060	080	090	100	120	150
Sw	Sash aperture width	435	635	735	835	1035	1335
Fw	Frame aperture width (Fw)	463	663	763	863	1063	1363
Lw	Inside groove measure width	559	759	859	959	1159	1459
Rw	Roof opening	600	800	900	1000	1200	1500
Ew	Exterior frame width	780	980	1080	1180	1380	1680

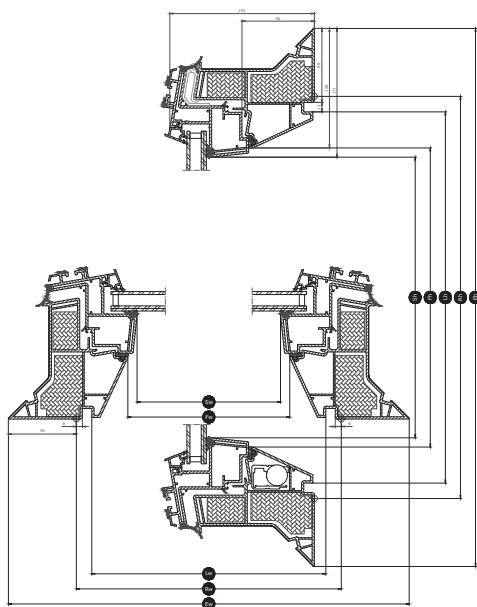
Height		060	080	090	100	120	150
Sh	Sash aperture height	435	635	735	835	1035	1035
Fh	Frame aperture height	463	663	763	863	1063	1063
Lh	Inside groove measure height	559	759	859	959	1159	1459
Rh	Roof opening	600	800	900	1000	1200	1500
Eh	Exterior frame height	780	980	1080	1180	1380	1680

VELUX burglary-resistant electric flat-roof window CVP ----QFA, Glazing 73FQV



Enjoy ultimate convenience and remote-controlled ventilation with an electric base unit CVP QFA. A burglary-resistant construction with P4A laminated inner glass delivers maximum security, while the insulated ThermoTechnology™ PVC construction and low-energy glazing with two energy coatings help keep your home warm and energy costs low. Compatible with all our top units.

- Tilted interior frame design increases the amount of daylight that enters your room.
- The wall switch is pre-paired to work with your window right out of the box.
- ThermoTechnology™ insulation and double-glazed glazing deliver enhanced energy efficiency.



Width		060	080	090	100	120	150
Sw	Sash aperture width	435	635	735	835	1035	1335
Fw	Frame aperture width (Fw)	463	663	763	863	1063	1363
Lw	Inside groove measure width	559	759	859	959	1159	1459
Rw	Roof opening	600	800	900	1000	1200	1500
Ew	Exterior frame width	780	980	1080	1180	1380	1680

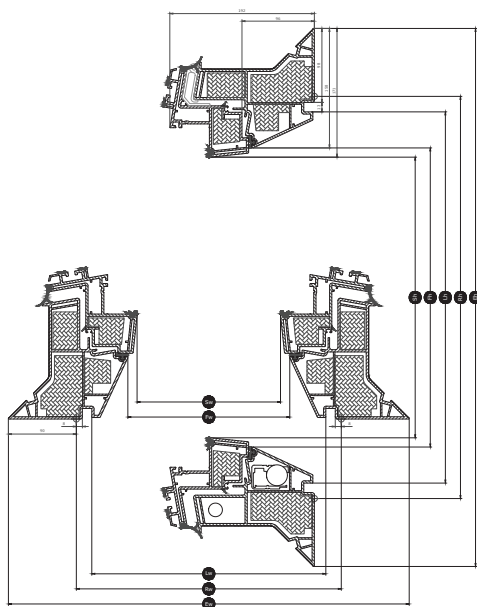
Height		060	080	090	100	120	150
Sh	Sash aperture height	435	635	735	835	1035	1035
Fh	Frame aperture height	463	663	763	863	1063	1063
Lh	Inside groove measure height	559	759	859	959	1159	1459
Rh	Roof opening	600	800	900	1000	1200	1500
Eh	Exterior frame height	780	980	1080	1180	1380	1680

VELUX burglary-resistant electric flat-roof window CVP ----QDA, Glazing 73FQV



Enjoy ultimate convenience and remote-controlled ventilation with an electric base unit CVP QDA. A burglary-resistant construction with P4A laminated inner pane delivers maximum security, while the insulated ThermoTechnology™ construction and low-energy glazing with energy coatings help keep your home warm and energy costs low. Compatible with all our top units.

- Tilted interior frame design increases the amount of daylight that enters your room.
- The wall switch is pre-paired to work with your window right out of the box.
- ThermoTechnology™ insulation and double-glazed glazing deliver enhanced energy efficiency.



Width		060	080	090	100	120
Sw	Sash aperture width	435	635	735	835	1035
Fw	Frame aperture width (Fw)	463	663	763	863	1063
Lw	Inside groove measure width	559	759	859	959	1159
Rw	Roof opening	600	800	900	1000	1200
Ew	Exterior frame width	780	980	1080	1180	1380

Height		060	080	090	100	120	150
Sh	Sash aperture height	435	635	735	835	1035	1035
Fh	Frame aperture height	463	663	763	863	1063	1063
Lh	Inside groove measure height	559	759	859	959	1159	1459
Rh	Roof opening	600	800	900	1000	1200	1500
Eh	Exterior frame height	780	980	1080	1180	1380	1680

Insulating glass unit structure

	Glazing 63QK	Glazing 73FQV	Glazing 73QV	Glazing 73UT
Composition (from inside to outside)	9.5 mm laminated float glass - 10,5 mm Krypton - 8 mm toughened glass	7.5 mm laminated float glass - 14,5 mm Argon - 4 mm float glass	7.5 mm laminated float glass - 14,5 mm Argon - 4 mm float glass	6.8 mm laminated float glass - 14,5 mm Argon - 4 mm float glass

Cleaning and maintenance



Cleaning of the top unit is only possible from the outside. When cleaning the top unit, do not open the window. For electrical windows, switch off the mains supply.

To clean inner surface of top unit and outer glass surface of base unit, remove cover caps and screws to remove the top unit and fasten again after cleaning.

In regions with heavy snowfall, snow masses on the flat-roof window must be removed on a regular basis.

Guarantee period

Blinds and awnings

Complete your VELUX flat roof window with a blind for complete comfort. Choose from a range of blinds, including a translucent pleated blind for softening the light, anti-heat blind for heat protection and blackout energy pleated blind for darkening the room.

Use VELUX App Control or VELUX ACTIVE with NETATMO for smartphone control of your vented flat roof window and blinds.

Further information

We reserve the right to make technical changes.

For more information on our products, please visit <https://velux.com>.