

Continuous rooflight kerb systems

VELUX®
Commercial


Secure connection of the roof sheeting by the use of optional basement connection profiles

Continuous rooflight kerb system

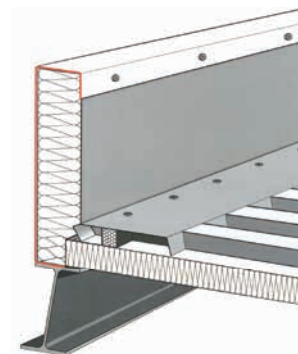
- available in construction heights from 25 to 70 cm
- structurally calculate measurement according to DIN EN 1993
- permanent secure connection of the roof membrane to the basement with help of the, as an extra available, rail system
- the requirements of DIN 18234-3 are fulfilled on the basement head without additional site-work
- heat insulation made of rock wool, cut to fit the shape and dimensions of the basement, available in thicknesses of up to 100 mm for optimal thermal insulation values
- good light yield and outstanding design due to optional RAL 9002 colour coating
- safety for the second drainage level by means of an 8° incline of the kerb head which slopes towards the outside

Option for iso- and thermo roofs

- also available as a variant for insulated and thermal roofs, for all construction heights from 25 to 55 cm
- structurally calculate measurement up to 500 cm width
- heat insulation made of rock wool available in thicknesses of up to 100 mm for optimal thermal insulation values
- very good light yield and outstanding design due to optional RAL 9002 colour coating
- increased safety against water and condensation due to 8° slope for the continuous rooflight support



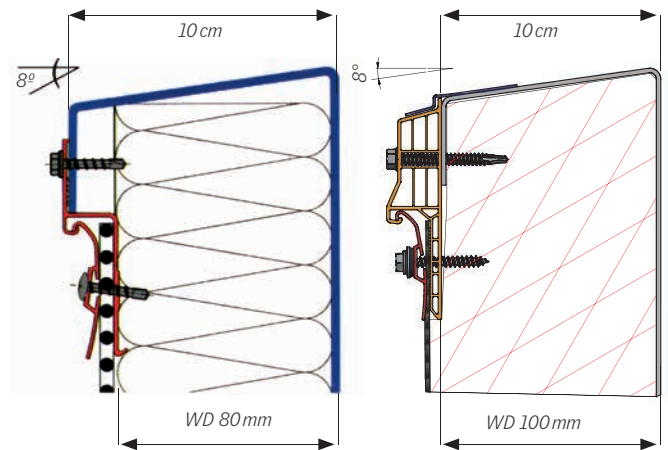
VARIO-NORM continuous rooflight on basement with OPTIMAL connection system type L



Continuous rooflight kerb for iso- and thermo roofs

Kerb construction heights

- available in construction heights from 25 to 70 cm
- also available as a variant for insulated and thermal roofs, for all construction heights from 25 to 55 cm
- the kerb heights 25 and 40 cm are for installation on prefabricated, rigid roof openings (= non self-supporting)
- the heights 45 to 70 cm are mainly used self-supporting
- valid for all kerbs: increased safety against water and condensation due to 8° slope for the continuous rooflight support



OPTIMAL connection system type L

Connection system type VT

Connection systems

OPTIMAL connecting system type L

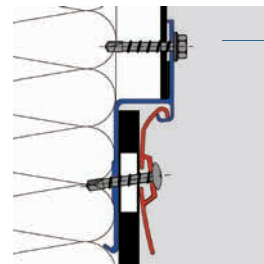
- the optimal solution for VARIO-NORM continuous rooflights
- thickness of thermal insulation: up to 80 mm

Connecting system type VT

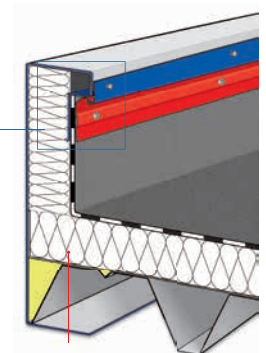
- the optimal solution for VARIO-THERM and GRILLODUR® continuous rooflights
- thickness of thermal insulation: up to 100 mm

Advantages of the connecting systems

- connection systems available as an add-on for a permanently secure roof connection to the basement
- the roof sealing can be carried out independently of the installation of the continuous rooflight
- there are no material duplications
- the frame connection profiles with hook-in rail are also ideally suited for the renovation of defective connections



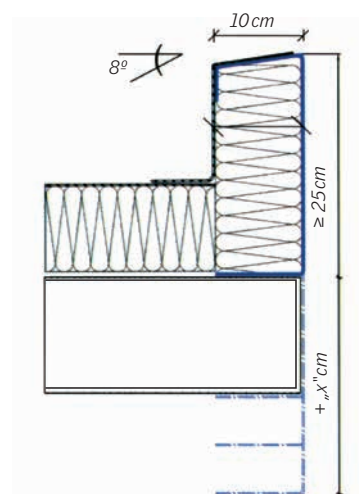
Continuous rooflight basement system with OPTIMAL connection system type L



If needed beading fillers on site acc. to DIN 18234-3

Roof connection systems

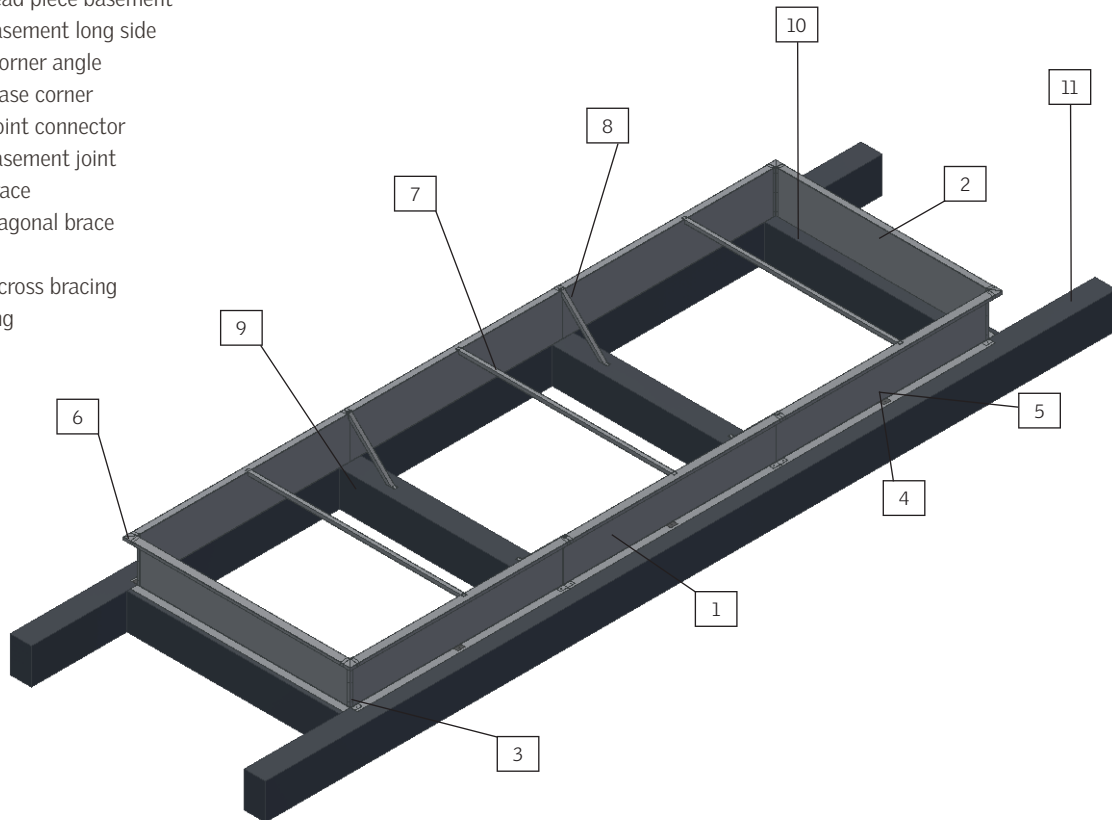
- aconventional roof connections can also be realised with kerbs
- drag strip/overhanging strip on the kerb – this connection is suitable for high-polymer waterproofing up to up to approximate 2 mm thickness



Drag strip/overhanging strip on the kerb

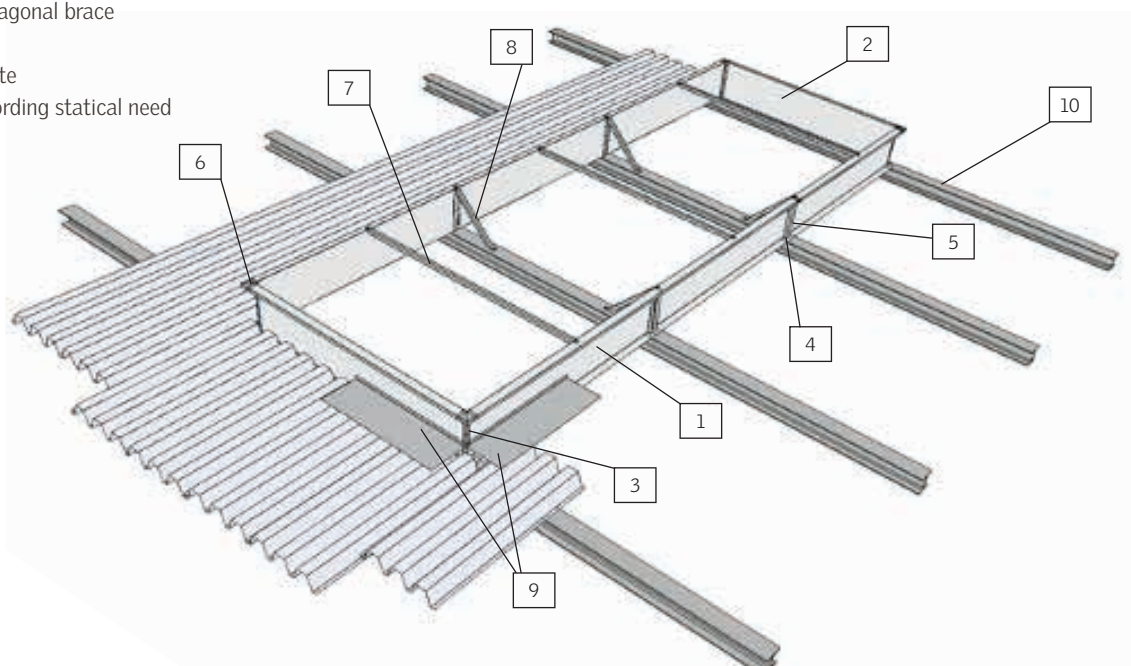
Symbolic presentation of non-self supporting basements

1. Rooflight head piece basement
2. Rooflight basement long side
3. Basement corner angle
4. Basement case corner
5. Basement joint connector
6. Cover for basement joint
7. Push-pull brace
8. Push-pull diagonal brace
9. Bearing
10. Head piece cross bracing
11. Cross bracing



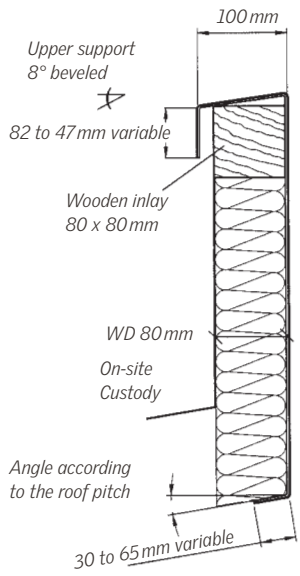
Symbolic presentation of self supporting basements

1. Rooflight head piece basement
2. Rooflight basement long side
3. Basement corner angle
4. Basement case corner
5. Basement joint connector
6. Cover for basement joint
7. Push-pull brace
8. Push-pull diagonal brace
9. Bearing
10. Support plate
11. Spacer according statical need

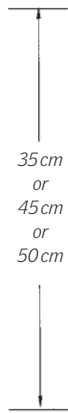
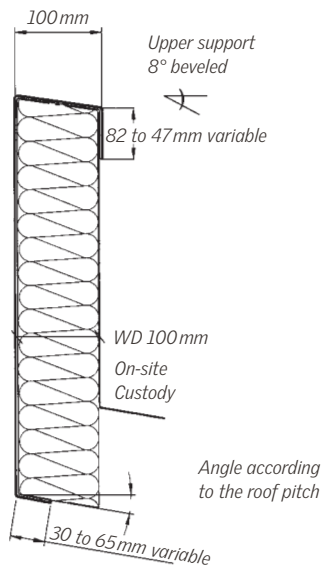


Continuous rooflight roof connection system for iso- and thermal roofs

Connection sample 1

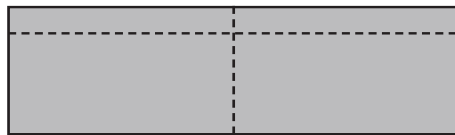


Connection sample 2

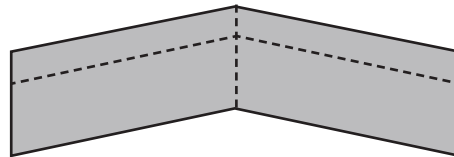


2 installation variants heights 35/45/50 cm
 Statical calculated up to a width of 500 cm!

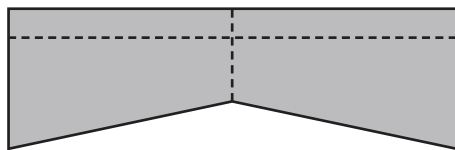
Headpiece formations



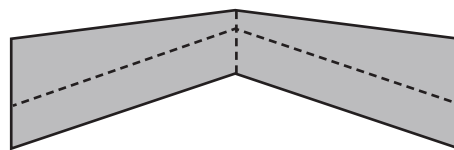
Standard headpiece



Headpiece with parallel ridge fitting at top and bottom



Headpiece with ridge fitting below



Headpiece with special ridge adjustment top and bottom

Valid from date of publication until new edition. Version: July 2022. Not responsible for printing errors, mistakes and technical alterations.