

VELUX flat-roof exit window CXP

Glazing 73FQV



The manually operated flat-roof exit window CXP opens extra wide to provide easy access to the roof. A laminated inner pane prevents glass from splintering in the event of breakage. Available with an acrylic and polycarbonate dome. The flat-roof exit window meets all relevant EU legislative requirements.

- Extra-large opening lets you enjoy easy access to the roof and an additional fire escape.
- Improve your overall comfort with the low-energy double-glazed glazing with two energy coatings.
- Tilted interior frame design increases the amount of daylight that enters your room.
- The maintenance-free white PVC base unit reflects more natural light to brighten your room.
- Designed to minimise condensation, our flat-roof windows maintain clear views to the outside.
- Repairs can be performed without replacing the entire window thanks to the modular design.



Available sizes and daylight area

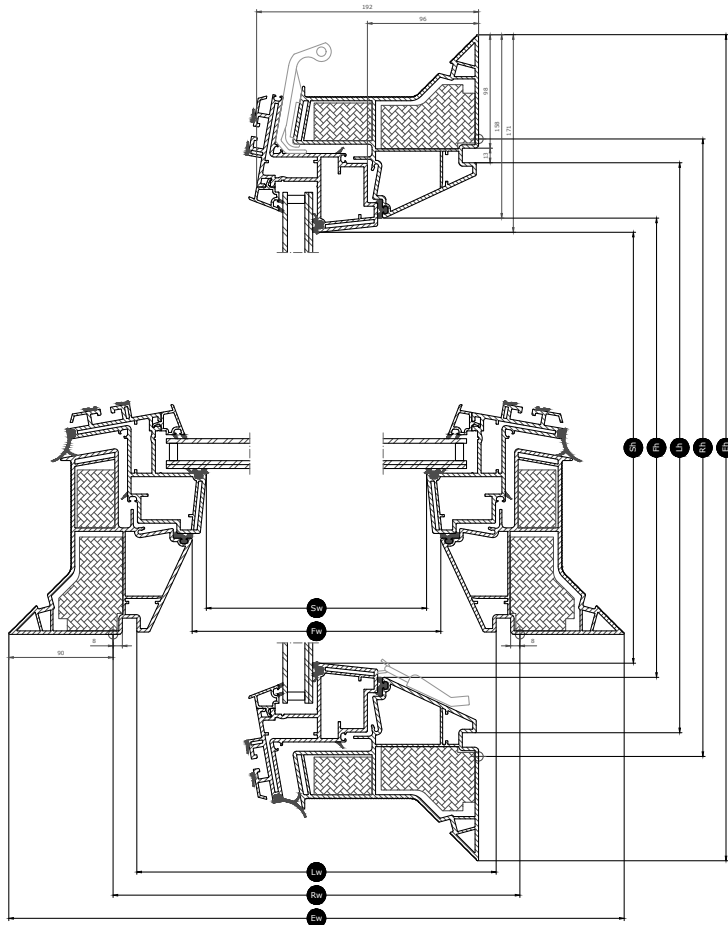
| | 900 mm | 1000 mm | 1200 mm |
|------|-------------------------|-------------------------|-------------------------|
| 1000 | | CXP 100100 (0.70) | |
| 1200 | CXP 090120 (0.76) | | CXP 120120 (1.07) |

All measurements are in mm. () = Effective daylight area, m² [] = Geometric free area, m²

*A=large sizes with glazing variant -A

Cross section dimensions

Please note that the view of the cross section is from bottom to top.



| Width | | 090 | 100 | 120 |
|-------|-----------------------------|------|------|------|
| Vw | Visible pane width | | | |
| Lw | Inside groove measure width | 859 | 959 | 1159 |
| Rw | Roof opening width | 900 | 1000 | 1200 |
| Iw | Inside sash measure width | | | |
| Ew | External frame width | 1080 | 1180 | 1380 |

| Height | | 100 | 120 |
|--------|------------------------------|------|------|
| Vh | Visible pane height | | |
| Lh | Inside groove measure height | 959 | 1159 |
| Rh | Roof opening height | 1000 | 1200 |
| Ih | Inside sash measure height | | |
| Eh | External frame height | 1180 | 1380 |

Technical values

Overview of technical values for the product, covering among other, CE marking in accordance with EN 1873 or EAD 200062-00-0401.

| Window characteristics | CXP 73QV + ISD 0000 | CXP 73QV + ISD 0010 | CXP 73QV + ISD 0100 | CXP 73QV + ISD 0110 |
|---|---------------------|---------------------|---------------------|---------------------|
| Air permeability | 4 | 4 | 4 | 4 |
| Thermal transmittance $U_{rc,ref300}$ (CE-marked) (U-value) | 0.86 | 0.86 | 0.86 | 0.86 |
| Arc, ref300 (U-value transmission area) | 3.4 | 3.4 | 3.4 | 3.4 |
| Light transmittance (τ) | 0.72 | 0.70 | 0.25 | 0.26 |
| Sound insulation R_w dB [dB] | 36 | 36 | 36 | 36 |
| Total solar energy transmittance (g) | 0.53 | 0.50 | 0.20 | 0.23 |
| Ultraviolet transmittance (τ_{uv}) | 0.05 | 0.05 | 0.05 | 0.05 |
| Burglar resistance window | npd | npd | npd | npd |
| Frame factor | N/A | N/A | N/A | N/A |
| Air permeability | 4 | 4 | 4 | 4 |
| Reaction to fire | B-s1,d0 | B-s1,d0 | B-s1,d0 | B-s1,d0 |
| Bonding of cover glass (glass of top unit) [class] | N/A | N/A | N/A | N/A |
| External fire performance - European | npd | npd | npd | npd |
| External fire performance - British | npd | AA | npd | AA |
| Impact resistance | N/A | N/A | N/A | N/A |
| Impact resistance large soft body | SB 1200 | SB 1200 | SB 1200 | SB 1200 |
| Impact resistance small hard body | ✓ | ✓ | ✓ | ✓ |
| Rain noise | 50 | 53 | 50 | 53 |
| Resistance to downward loads | DL 2500 | DL 2500 | DL 2500 | DL 2500 |
| Resistance to fire | npd | npd | npd | npd |
| Resistance to snow load | N/A | N/A | N/A | N/A |
| Resistance to upward load | UL 1500 | UL 1500 | UL 1500 | UL 1500 |
| Resistance to wind load | N/A | N/A | N/A | N/A |
| Water tightness | ✓ | ✓ | ✓ | ✓ |

NPD: No performance determined

Glazing structure

| Glazing unit | Variant composition |
|---------------|--|
| Double-glazed | 7.5mm laminated float glass - 14.5mm Argon - 4mm float glass |

Blinds and awnings

Compatibility

The manually operated base unit CXP is compatible with an acrylic or polycarbonate dome top unit ISD in either clear or opaque finish.

Installation accessories: Extension kerb ZCE 0015/1015, securing kit for roofing felt for roofing felt ZZZ 210 and lining LSF 2000.

Further information

We reserve the right to make technical changes.

For more information on our products, please visit <https://www.velux.co.uk> or <https://www.velux.ie>.