

# VELUX electric flat-roof window CVP

**VELUX®**

Glazing 73UT



Add natural light and remote-controlled ventilation to your home with an electric base unit CVP U. ThermoTechnology™ insulation and double-glazing increase your indoor comfort and help keep your home warm. A rain sensor automatically closes the window if it rains for additional peace of mind. Compatible with all VELUX flat-roof window ISD top units.

- Compatible with VELUX ACTIVE with NETATMO for a better indoor climate with sensor-based ventilation. Remote controlled via smartphone or voice.
- Easily open your VELUX electric flat-roof window for fast access to fresh, outside air.
- The wall switch is pre-paired to work with your window right out of the box.
- Integrated rain sensor automatically closes your VELUX electric flat-roof window in the event of rain.
- Large 142 mm ventilation area lets you air out quickly and easily with the touch of a button.
- Conveniently control blinds and accessories (add-ons) with the touch of a button.
- Laminated security glazing for extra safety ensures the glass will not splinter in the event of breakage.

**CE**

## Available sizes and daylight area

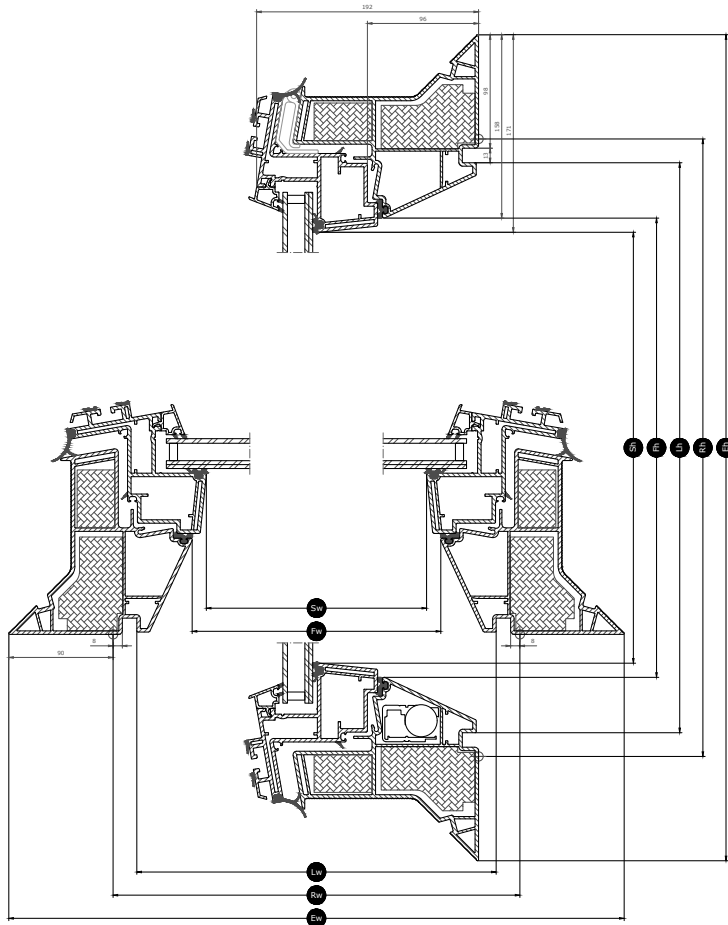
	600 mm	800 mm	900 mm	1000 mm	1200 mm	1500 mm
600 mm	CVP 060060 (0.19) [0.12]					
800 mm		CVP 080080 (0.40) [0.16]				
900 mm	CVP 060090 (0.32) [0.14]		CVP 090090 (0.54) [0.18]			
1000 mm				CVP 100100 (0.70) [0.2]		
1200 mm			CVP 090120 (0.76) [0.2]		CVP 120120 (1.07) [0.24]	
1500				CVP 100150 (1.11) [0.23]		CVP 150150 (1.78) [0.3]

All measurements are in mm. ( ) = Effective daylight area, m<sup>2</sup> [ ] = Geometric free area, m<sup>2</sup>

\*A=large sizes with glazing variant -A

# Cross section dimensions

Please note that the view of the cross section is from bottom to top



## Technical values

Overview of technical values for the product, covering among other, CE marking in accordance with EN 1873 or EAD 200062-00-0401.

Window characteristics	CVP Electric 73UT + ISD 0000	CVP Electric 73UT + ISD 0010	CVP Electric 73UT + ISD 0100	CVP Electric 73UT + ISD 0110	CVP Electric 73UT + ISD 1093	CVP Electric 73UT + ISD 2093
Air permeability, [class]	4	4	4	4	4	3
Thermal transmittance $U_{rc,ref300}$ (CE-marked) (U-value)	0.87	0.87	0.87	0.87	0.76	0.87
Arc, ref300 (U-value transmission area)	3.4	3.4	3.4	3.4	3.8	3.4
Light transmittance ( $\tau_v$ ) ( $\tau$ )	0.72	0.70	0.23	0.21	0.72	0.72
Sound insulation ( $R_w$ ) $R_{w,dB}$ [dB]	30	30	30	30	31	31
Total solar energy transmittance (g-value) (g)	0.54	0.52	0.19	0.20	0.53	0.54
Ultraviolet transmittance ( $\tau_{uv}$ ) ( $\tau_{uv}$ )	0.05	0.05	0.05	0.05	0.05	0.05
Burglar resistance window [class]	npd	npd	npd	npd	npd	npd
Frame factor	N/A	N/A	N/A	N/A	0.26	0.26
Air permeability, [class]	4	4	4	4	4	3
Reaction to fire [class]	B-s1,d0	B-s1,d0	B-s1,d0	B-s1,d0	B-s1,d0	B-s1,d0
Bonding of cover glass (glass of top unit) [class]	N/A	N/A	N/A	N/A	$\Delta X \geq 0.75$	$\Delta X \geq 0.75$
External fire performance - European [class]	npd	npd	npd	npd	npd	npd
External fire performance - British [class]	npd	AA	npd	AA	npd	npd
Impact resistance [class]	N/A	N/A	N/A	N/A	3	3
Impact resistance large soft body [class]	SB 1200	SB 1200	SB 1200	SB 1200	N/A	N/A
Impact resistance small hard body [class]	✓	✓	✓	✓	N/A	N/A
Rain noise (Lia)	50	53	50	53	49	npd
Resistance to downward loads	DL 2500	DL 2500	DL 2500	DL 2500	N/A	N/A
Resistance to fire [class]	npd	npd	npd	npd	npd	npd
Resistance to snow load	N/A	N/A	N/A	N/A	*	*
Resistance to upward load	UL 1500	UL 1500	UL 1500	UL 1500	N/A	N/A
Resistance to wind load [class]	N/A	N/A	N/A	N/A	C3	C3
Water tightness [class]	✓	✓	✓	✓	9A	9A

NPD: No Performance Determined

## Glazing structure

Glazing unit	Composition (from inside to outside)
Double-glazed	6.8 mm laminated float glass - 14,5 mm Argon - 4 mm float glass

## Blinds and awnings

---

Complete your VELUX flat roof window with a blind for complete comfort. Choose from a range of blinds, including a translucent pleated blind for softening the light, anti-heat blind for heat protection and blackout energy pleated blind for darkening the room.

Use VELUX App Control or VELUX ACTIVE with NETATMO for smartphone control of your vented flat roof window and blinds.

## Compatibility

---

The electrically vented base unit CVP is compatible with an acrylic or polycarbonate dome top unit ISD in either clear or opaque finish.

Installation accessories: Extension kerb ZCE 0015/1015, securing kit for roofing felt ZZZ 210 and lining LSF 2000.

Compatibility with blinds: Solar-powered anti-heat blind MSG, electric pleated blind FMG, electric blackout energy blind FMK and solar-powered blackout energy blind FSK.

## Further information

---

We reserve the right to make technical changes.

For more information on our products, please visit <https://velux.com>.