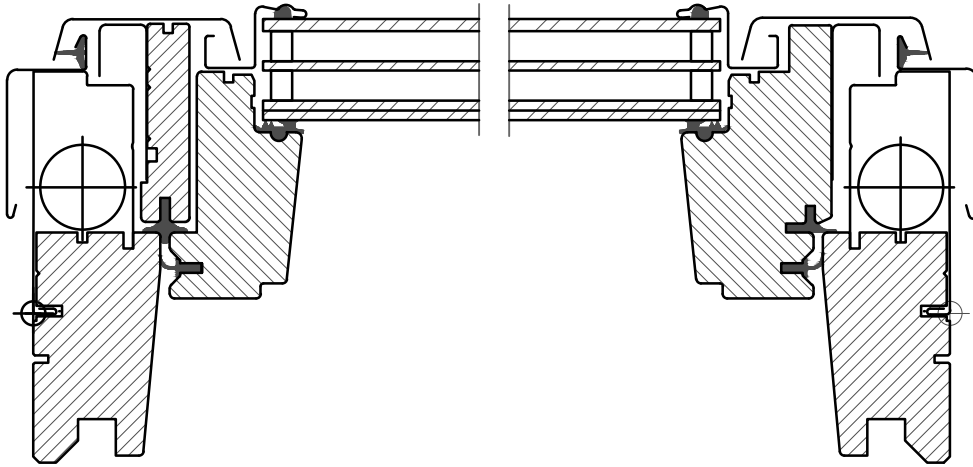


Horizontal section

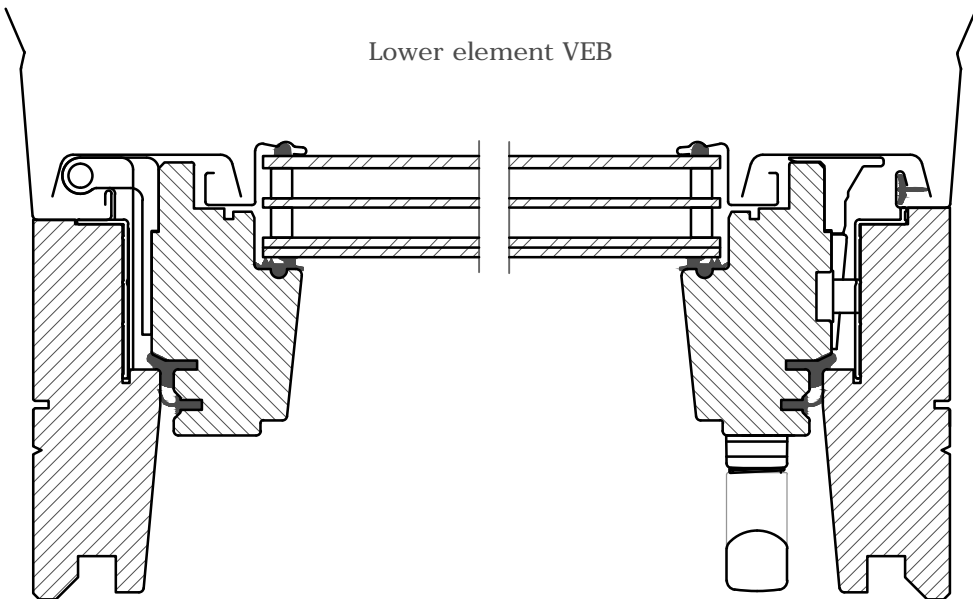
Above pivot hinge

Upper element



Below pivot hinge

Lower element VEB



VELUX
GEL + VEB--65G

17.02.2016/EMB

