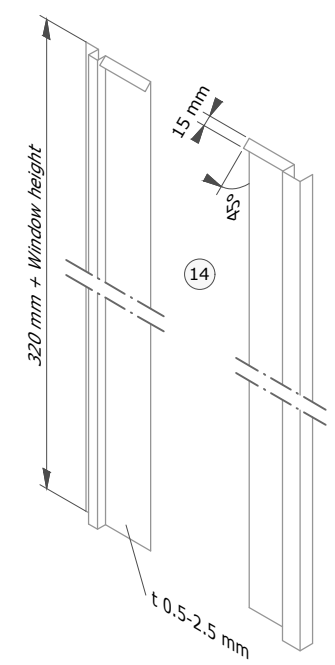
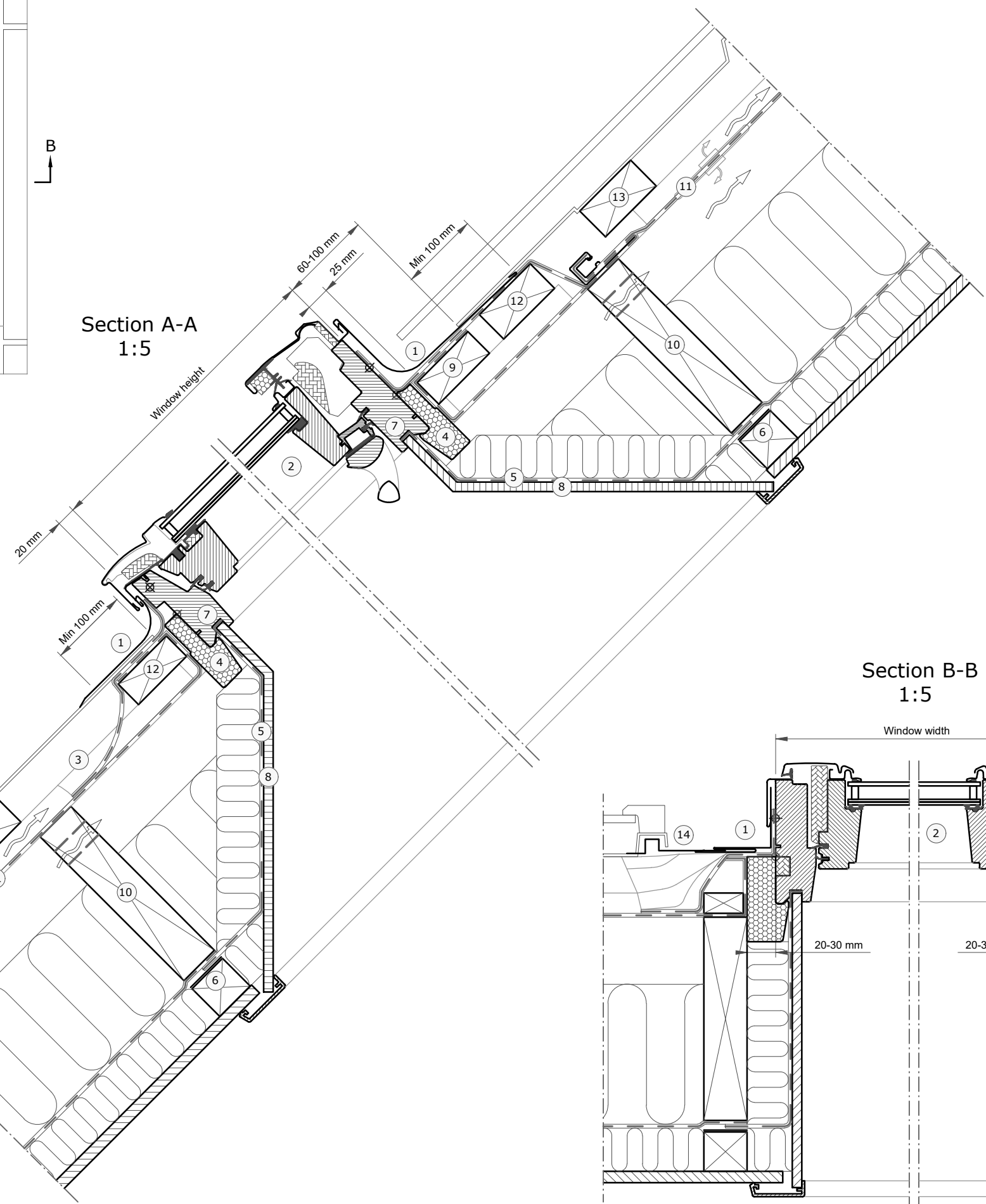
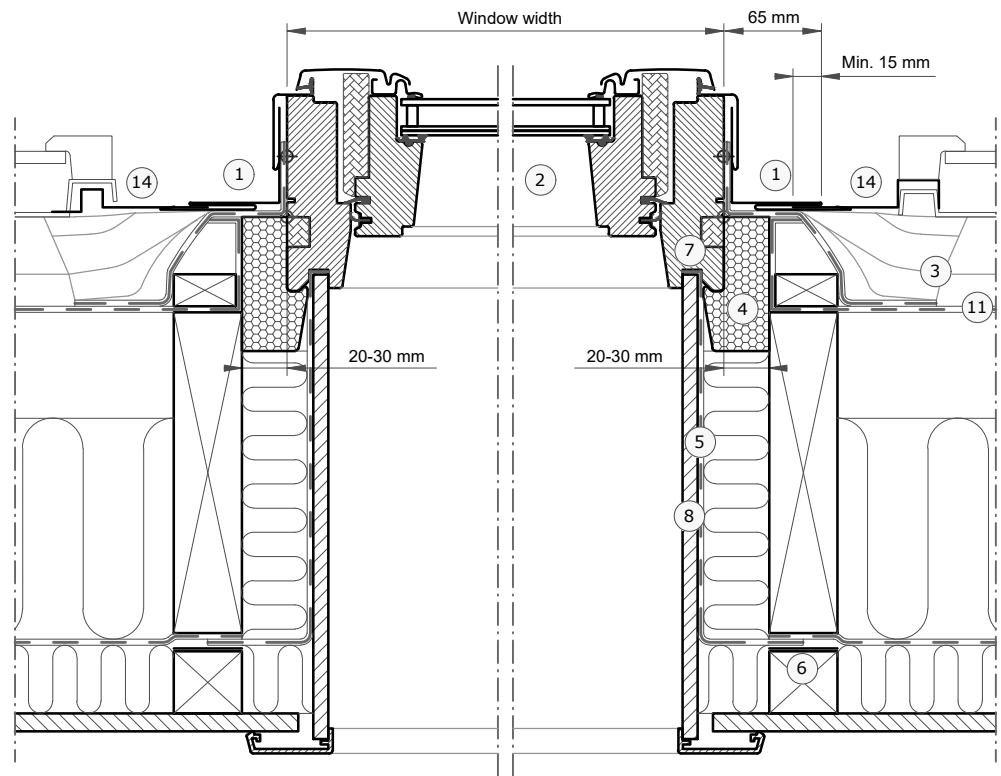


Section A-A
1:5



Section B-B
1:5

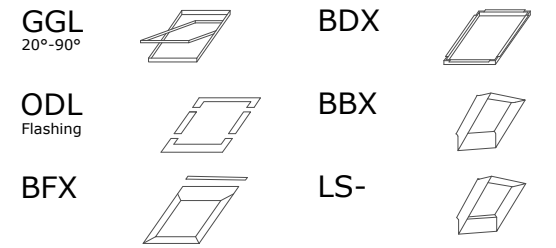


- ① ODL flashing (20°-90°)
- ② VELUX window (GGL 20°-90°)
- ③ VELUX underfelt collar (BFX)
- ④ VELUX insulation frame (BDX)
- ⑤ VELUX vapour barrier (BBX)
- ⑥ VELUX vapour barrier tape (BBX)
- ⑦ Gasket on BBX in window rebate
- ⑧ VELUX Lining (LS-)
- ⑨ Installation batten (Non VELUX)
- ⑩ Trimmer where necessary (Non VELUX)
- ⑪ Felt/breather membrane (Non VELUX)
- ⑫ Installation batten (Non VELUX) Overlap
- ⑬ Installation batten (Non VELUX) Panel attachment
- ⑭ GSE Side adapter (Non VELUX)
- Gray RAL 7043 Gloss 30
- Black RAL 9005 Gloss 30

Roof covering:



VELUX Products:



VELUX window sizes:

Size	Width (mm)	Size	Height (mm)
MK--	780	-K08	1398

GSE Portrait size:

Height (mm)	Width (mm)
1640	992
1640	1001
1640	1016
1640	1046

© VELUX GROUP ® VELUX, VELUX logo are registered trademarks



File name: GSE-GGL-VAS-800-1018

Drawing no.: --- SCo: ---

Create date: 18.10.2018	Rev. date:	Format: A3	Scale: 1:5
----------------------------	------------	---------------	---------------

Note: When installing VELUX Roof Windows, flashings and installation products, the manufacturers instructions and current building and fire regulations, where applicable, must be met.