

VELUX manually operated flat-roof window CVP 0073U

Glazing 73UT



Add natural daylight and fresh air to your home at a price that matches most budgets with the manually operated base unit CVP. The flat-roof window is easily operated using a practical telescopic rod. Offers all the basic benefits of a flat-roof window at an attractive price. Compatible with our acrylic and polycarbonate domes.

- Air out for a better indoor climate by using the ventilation opening.
- ThermoTechnology™ insulation and double-glazed glazing increases overall energy-efficiency.
- Benefit from the extra energy-efficiency of the double-glazed glazing.
- A wide range of standard sizes makes it easy to find the window that best fits your room.
- Heat protection keeps your room cool and increases indoor comfort.
- The maintenance-free white PVC base unit reflects more natural light to brighten your room.
- Laminated security glazing for extra safety ensures the glass will not splinter in the event of breakage.



Available sizes and daylight area

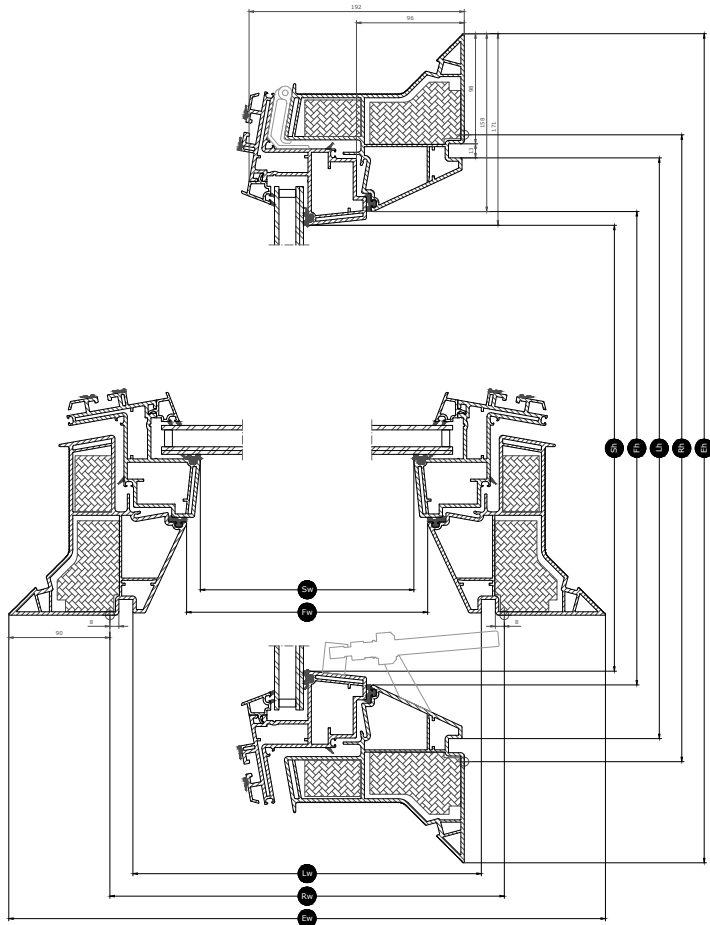
	600 mm	800 mm	900 mm	1000 mm	1200 mm
600 mm	CVP 060060 (0.19)				
800 mm		CVP 080080 (0.40)			
900 mm	CVP 060090 (0.32)		CVP 090090 (0.54)		
1000				CVP 100100 (0.70)	
1200			CVP 090120 (0.76)		CVP 120120 (1.07)
1500				CVP 100150 (1.11)	

All measurements are in mm. () = Effective daylight area, m² [] = Geometric free area, m²

*A=large sizes with glazing variant -A

Cross section dimensions

Please note that the view of the cross section is from bottom to top.



Technical values

Overview of technical values for the product, covering among other, CE marking in accordance with EN 1873 or EAD 200062-00-0401.

Window characteristics	CVP Manual 73UT + ISD 0000	CVP Manual 73UT + ISD 0010	CVP Manual 73UT + ISD 0100	CVP Manual 73UT + ISD 0110
Air permeability	4	4	4	4
Thermal transmittance $U_{rc,ref300}$ (CE-marked) (U-value)	0.87	0.87	0.87	0.87
Arc, ref300 (U-value transmission area)	3.4	3.4	3.4	3.4
Light transmittance (τ)	0.72	0.70	0.23	0.21
Sound insulation R_w dB [dB]	30	30	30	30
Total solar energy transmittance (g)	0.54	0.52	0.19	0.20
Ultraviolet transmittance (τ_{uv})	0.05	0.05	0.05	0.05
Burglar resistance window	npd	npd	npd	npd
Frame factor	N/A	N/A	N/A	N/A
Air permeability	4	4	4	4
Reaction to fire	B-s1,d0	B-s1,d0	B-s1,d0	B-s1,d0
Bonding of cover glass (glass of top unit) [class]	N/A	N/A	N/A	N/A
External fire performance - European	npd	npd	npd	npd
External fire performance - British	npd	AA	npd	AA
Impact resistance	N/A	N/A	N/A	N/A
Impact resistance large soft body	SB 1200	SB 1200	SB 1200	SB 1200
Impact resistance small hard body	✓	✓	✓	✓
Rain noise	46	50	46	50
Resistance to downward loads	DL 2500	DL 2500	DL 2500	DL 2500
Resistance to fire	npd	npd	npd	npd
Resistance to snow load	N/A	N/A	N/A	N/A
Resistance to upward load	UL 1500	UL 1500	UL 1500	UL 1500
Resistance to wind load	N/A	N/A	N/A	N/A
Water tightness	✓	✓	✓	✓

NPD: No performance determined

Glazing structure

Glazing unit	Variant composition
Double-glazed	6.8 mm laminated float glass - 14,5 mm Argon - 4 mm float glass

Blinds and awnings

Complete your VELUX flat roof window with an anti-heat blind for heat protection. Due to the spindle drive, it's not possible to fit interior blinds on VELUX manually operated flat-roof window CVP 0073U.

Compatibility

The manually vented base unit CVP is compatible with an acrylic or polycarbonate dome top unit ISD in either clear or opaque finish.

Installation accessories: Extension kerb ZCE 0015/1015, securing kit for roofing felt ZZZ 210 and lining LSF 2000.

Compatibility with blinds: Solar-powered anti-heat blind MSG.

Further information

We reserve the right to make technical changes.

For more information on our products, please visit <https://www.velux.co.uk> or <https://www.velux.ie>.