

TOP-90 series

TOP-90 special shapes

dome rooflight special designs

VELUX®
Commercial


Flat roof dome rooflights – versatile for new construction and renovation
Architectural accents in flat roofs, with increased fall-through protection and sun protection

TOP-90 standard designs

- perfect fit on all types of upstands and on almost all third-party upstands
- ventable with additional ventilation frame and corresponding opening accessories
- can be utilised as SHEV devices with the various FIREJET® opener fitting systems (also refer to Brochure 6.1.2), tested according to DIN EN 12101-2
- special shapes: pyramid, round flat shape, round hemispherical shape

Thermal transfer coefficient

• double-skinned

U-value = 2,7 W/m²K according to DIN EN 1873:2006¹/DIN 4108-4

U_t = 3,0 W/m²K according to DIN EN 1873:2014²

$U_{rc,ref300}$ = 1,76 W/m²K according to DIN EN 1873:2014³

triple-skinned

U-value = 1,8 W/m²K according to DIN EN 1873:2006¹/DIN 4108-4

U_t = 2,0 W/m²K according to DIN EN 1873:2014²

$U_{rc,ref300}$ = 1,39 W/m²K according to DIN EN 1873:2014³

four-skinned

U-value = 1,5 W/m²K according to DIN EN 1873:2006¹

U_t = 1,5 W/m²K according to DIN EN 1873:2014²

$U_{rc,ref300}$ = 1,21 W/m²K according to DIN EN 1873:2014³

Light transmission T_L

- double-skinned opal: \geq 74%; clear: 86%
- triple-skinned opal: \geq 69%; clear: 81%
- four-skinned opal: \geq 65%; clear: 75%

TOP-90 special designs

HAILSTOP (glazing completely made from polycarbonate)

- HW5 for waterproofing, light permeability and optical (according to testing provision No. 10 VKF, Bern and VKF Classification No. 25035)
- "fall-through safe" according to GS-BAU-18:2015-02 with DGUV test certificate (valid for 1 year after manufacture)
- increased resistance against vandalism⁴
- fire classification: B-s2, d0 flame retardant according to EN 13501-1

SUPER-TOP (polycarbonate and PMMA glazing)

- HW4 for optical and HW5 for waterproofing and mechanical (according to testing provision No. 10 VKF, Bern and VKF Classification No. 30883)
- "fall-through safe" according to GS-BAU-18:2015-02 with DGUV test certificate (valid for 1 year after manufacture)
- increased resistance against vandalism⁴
- fire classification: E, normal flammability according to EN 13501-1

HEATSTOP

- sun protection via external skin made from PLEXIGLAS® HEATSTOP⁴
- fire classification: E, normal flammability according to EN 13501-1

1) calculated according to EN ISO 6946

2) U_t according to DIN EN 1873:2014 for horizontal installation

3) $U_{rc,ref300}$ = Reference value of the overall thermal transfer coefficient of a dome rooflight of the order size 120 x 120 cm with a upstand of height 300 mm (here ISO-THERM AK upstand) according to DIN EN 1873:2014

4) also available in PLUS design

1.1.2
TOP-90
PLUS

1.1.3
TOP-90
sound reduction

1.2.1
Dome rooflight upstands and
roof connection systems

1.4.1
Dome rooflight
safety concept

1.4.5
LK-DDS

1.4.6
LK-DDN

3.5.2
TOP-90
comfort-S

Dome rooflights special designs

PET-TOP made from polyethylene (PET-G)

- B1 low flammability according to EN 4102
- B-s2, d0 low flammability according to EN 13501-1

BLACK-TOP darkening dome rooflight

- black PMMA external skin, as smoke and heat exhaustion device according to EN 18232-7



TOP-90 dome rooflights, round Flat shape with opal glazing



TOP-90 dome rooflights Pyramid shape with clear glazing



TOP-90 dome rooflights, round Hemispherical shape with clear glazing

Safety at a glance

- extremely high impact resistant, almost unbreakable
- hail impact safe (HAILSTOP, SUPER-TOP)
- "fall-through safe" according to GS-BAU-18:2015-02 with DGUV (Occupational Safety) test certificate
- increased resistance against vandalism
- B1 low flammability according to DIN 4102 (PET-TOP)



High-impact resistance
Increased resistance against vandalism



HAILSTOP, SUPER-TOP, PET-TOP

Manufacturer / supplier: VELUX Commercial		Beware danger of falling Do not step on light domes		Date of manufacture:	
JET Tageslicht & RWA GmbH Weidehorst 28 D-32609 H Ilhorst Tel. 05744 / 503-0 Fax 05744 / 503-40		Notified body: plastics testing lab Franken Gewerbestr. Süd 24 41812 Erkelenz/ Germany		Light dome "Fall-through proof during installation" Testing principles: GS-BAU 18.1 Report no.: 36/14.1G.GS	

TOP-90 – the tried and tested dome rooflights

Ventilation possibilities

Manual actuated

- with spindle opener, 300 mm lift and manual crank handle rod lengths of 1.5 m; 2.5 m and extendable 2.5 – 4.0 m

Electrically actuated (230V AC or 24V DC)

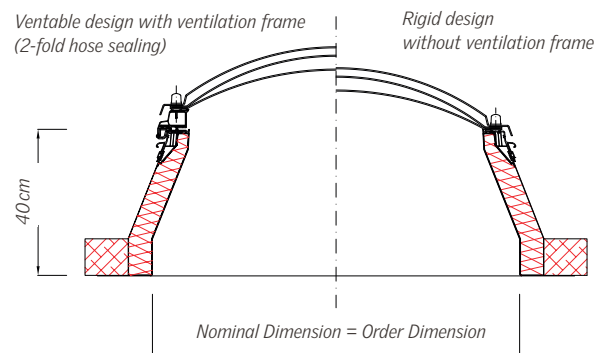
- upon/under plaster double ventilation button for motorised opener with control lamp
- motorised opener with push spindle approx. 300/500 mm lift (alternatively with chain motor) (other lift heights possible)
- rain detector unit or wind/rain detector unit
- central closing control system with timer

Pneumatically actuated

- pneumatic lift cylinder 300/500/750/1000/1250 mm lift height
- pneumatic manual control valve

The conditions of DIN 18234-4:2018 paragraph 4.3.6 are fulfilled with ventilated continuous rooflights and rigid continuous rooflights on ISO-THERM AK upstand without additional measures to be taken by the factory or the customer.

TOP-90 dome rooflights with fan frame and rigid on the ISO-THERM AK upstand meets the requirements of DIN EN 18234-4:2018, paragraph: 4.3.6.



TOP-90 dome rooflights on ISO-THERM AK upstand

Pyramids, square

Order size	TOP-90 pyramid		SUPER-TOP pyramid	
Lower clear opening width upstand cm x cm	double-skinned PMMA/ high-quality, UV resistant plastic opal/clear	triple-skinned PMMA/ high-quality, UV resistant plastic opal/clear/clear	double-skinned polycarbonate/ high-quality, UV resistant plastic clear/opal	triple-skinned polycarbonate/ high-quality, UV resistant plastic clear/clear/opal
60 x 60	•	-	-	-
70 x 70	•	•	•	•
80 x 80	•	•	•	•
90 x 90	•	•	•	•
100 x 100	•	•	•	•
110 x 110	•	•	•	•
120 x 120	•	•	•	•
140 x 140	•	•	•	•
150 x 150	•	•	•	•
180 x 180	•	•	•	•
200 x 200	•	•	•	•
220 x 220	•	•	•	•

Round, flat shape

Order size	TOP-90 dome rooflight	SUPER-TOP dome rooflight
Lower clear opening width upstand cm	double-/triple-/four-skinned PMMA/ high-quality UV resistant plastic opal/(clear)/(clear)/clear	double-/triple-/four-skinned polycarbonate/ high-quality UV resistant plastic clear/(clear)/(clear)/opal
60	•	•
80	•	•
90	•	•
100	•	•
110	•	•
120	•	•
150	•	•
180	•	•
200	•	•
220	•	•
240	•	•
250	•	-
270	•	-

Note: ventable up to order dimension 220 cm

Round hemispherical shape

Order size	TOP-90 dome rooflight		GRP upstand round		
Lower clear opening width upstand	Hemispherical shape PMMA/high-quality UV resistant plastic opal/(clear)/clear		Thermally insulated		
cm	double-skinned	triple-skinned	15 cm height	30 cm height	50 cm height
60	•	•	•	•	•
80	•	•	•	•	•
90	•	•	•	•	•
100	•	•	•	•	•
110	•	•	-	-	-
120	•	•	•	•	•
150	•	•	•	•	•
180	•	•	•	•	•
200	•	•	•	•	•
220	-	-	•	•	•

TOP-90 and SUPER-TOP dome rooflights and pyramids as rigid or ventable

Note: (valid for all tables) Additional dimensions can be delivered on request

- = not deliverable • = deliverable

Standard dimensions, rigid or ventable

Order size	TOP-90 dome rooflights	SUPER-TOP dome rooflight/ HAILSTOP dome rooflight ¹	PET-TOP dome rooflight	HEATSTOP dome rooflight
Lower clear opening width upstand cm x cm	double-/triple-/four-skinned PMMA/high-quality UV resistant plastic opal/(clear)/(clear)/clear	double-/triple-/four-skinned polycarbonate/high-quality UV resistant plastic clear/(clear)/(clear)/opal	double-/triple-skinned PET/PET opal/(clear)/ clear	double-/triple-/four-skinned External skin PLEXIGLAS HEATSTOP®/ high-quality UV resistant plastic opal/(clear)/(clear)/clear
50 x 100	•	•	-	-
50 x 150	•	-	-	-
60 x 60	•	•	-	-
60 x 90	•	•	-	-
60 x 120	•	•	-	-
70 x 135	•	•	-	-
80 x 80	•	•	•	•
90 x 90	•	•	•	•
90 x 120	•	•	-	-
100 x 100	•	•	•	•
100 x 150	•	•	•	•
100 x 200	•	•	•	•
100 x 240	•	•	-	-
100 x 250	•	•	•	•
100 x 300	•	-	-	-
120 x 120	•	•	•	•
120 x 150	•	•	•	•
120 x 180	•	•	•	•
120 x 240	•	•	•	•
120 x 250	•	•	-	-
120 x 270	•	•	-	•
125 x 125	•	•	•	•
125 x 250	•	-	•	•
135 x 230	•	•	-	-
150 x 150	•	•	•	•
150 x 180	•	-	•	•
150 x 210	•	•	•	•
150 x 240	•	•	•	•
150 x 250	•	•	•	•
150 x 270	•	•	-	•
180 x 180	•	•	•	•
180 x 240	•	•	•	•
180 x 250	•	•	•	•
180 x 270	•	•	-	•
180 x 300	•	•	-	•
200 x 200	•	•	•	•
200 x 300	•	-	•	•
220 x 220	•	•	-	-

Special dimensions, rigid or ventable²

60 x 210	•	•	-	-
70 x 70	•	•	•	•
70 x 120	•	•	•	•
80 x 110	•	•	•	•
90 x 150	•	•	•	•
95 x 95	•	•	•	•
95 x 145	•	•	•	•
95 x 195	•	•	•	•
110 x 110	•	•	•	•
120 x 120	•	•	•	•
120 x 220	•	•	•	•
140 x 140	•	•	•	•
150 x 300	•	•	•	•
160 x 160	•	•	•	•

- = not deliverable • = deliverable

Note:

Additional dimensions can be delivered on request. The selection of upstands is restricted (please enquire).

1) All skins made from PC (except opal)

2) On request