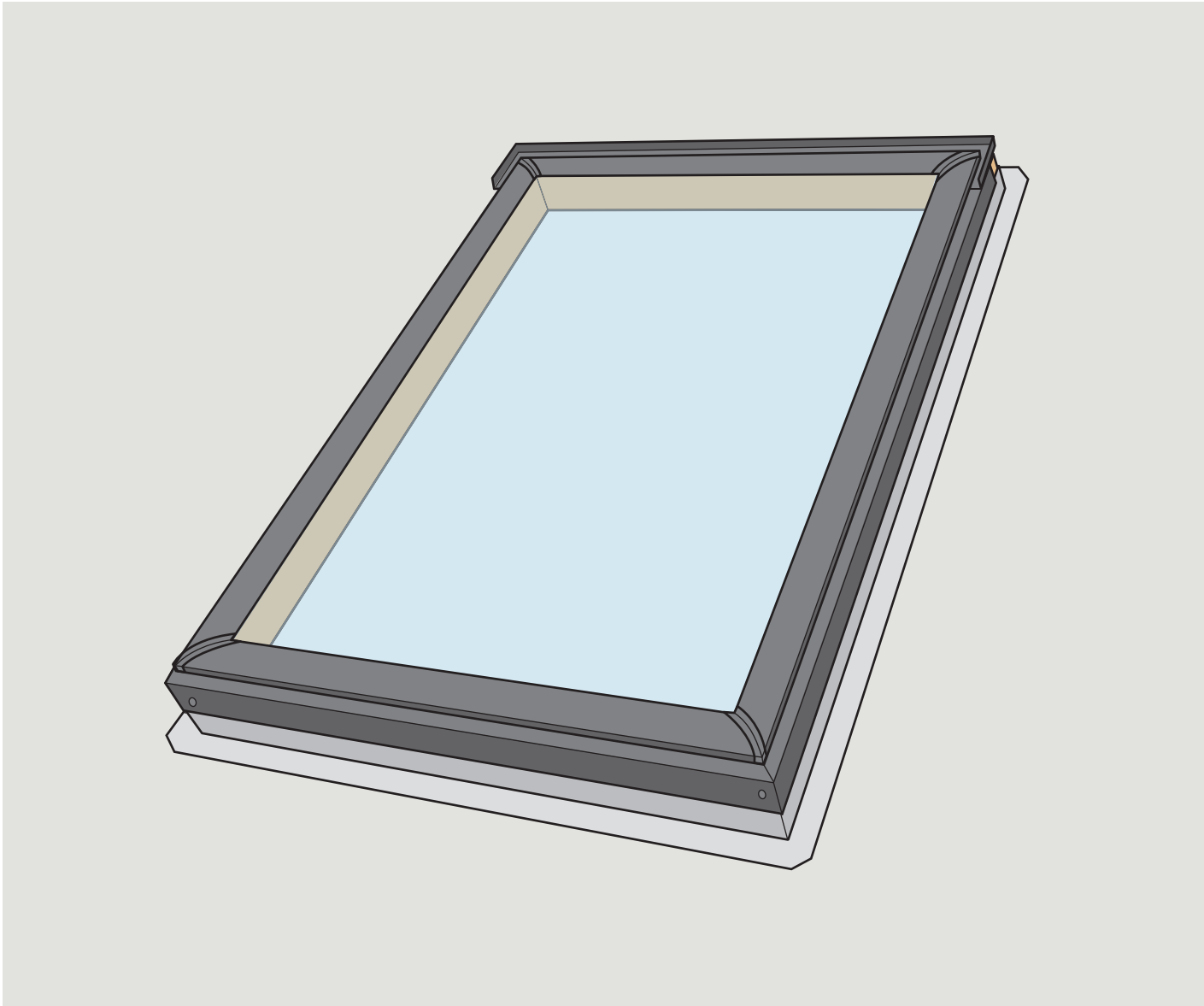


# FS



FS Deck Mounted Skylight Installation Instructions





## Skylight FS is designed for roof pitches 15°-90°

### Accessories

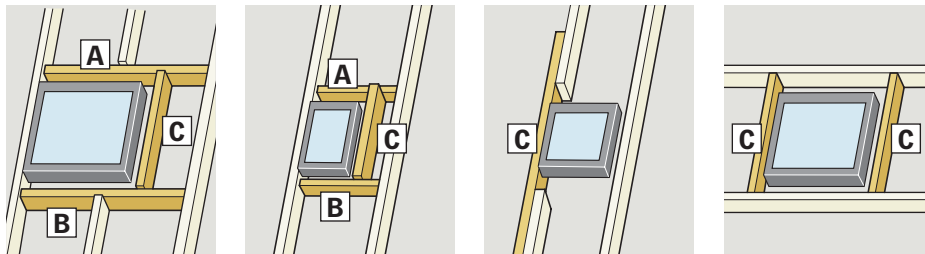
Refer to instructions for accessory type in question or contact your VELUX sales company for further information.

### Vapour barrier

Where a vapour barrier is part of the roof construction, this barrier must be extended and connected to the skylight finish groove.

### Treatment of wooden frame

Most VELUX skylights are pre-painted white and require no on-site painting. Stain grade skylights (available on order) have a temporary treatment against mould and mildew. Further treatment with wood stain, paint, etc is necessary and can be done prior to installation or shortly after installation. Make sure that wood stain, paint, etc is not applied to gaskets.

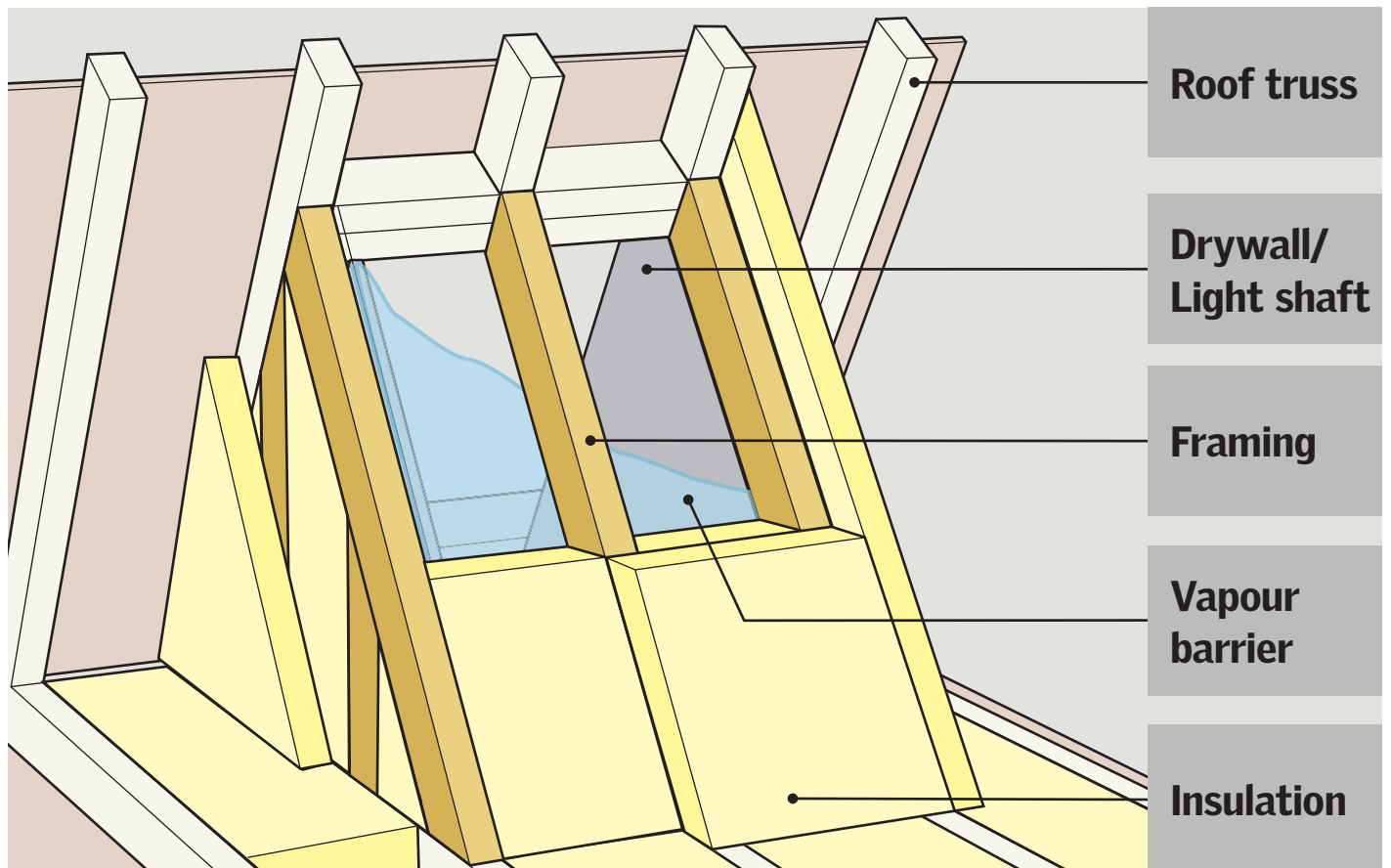


### Roofing rafters

The skylight must be supported by roofing rafters as shown. Install top, side and bottom support rafters when necessary.

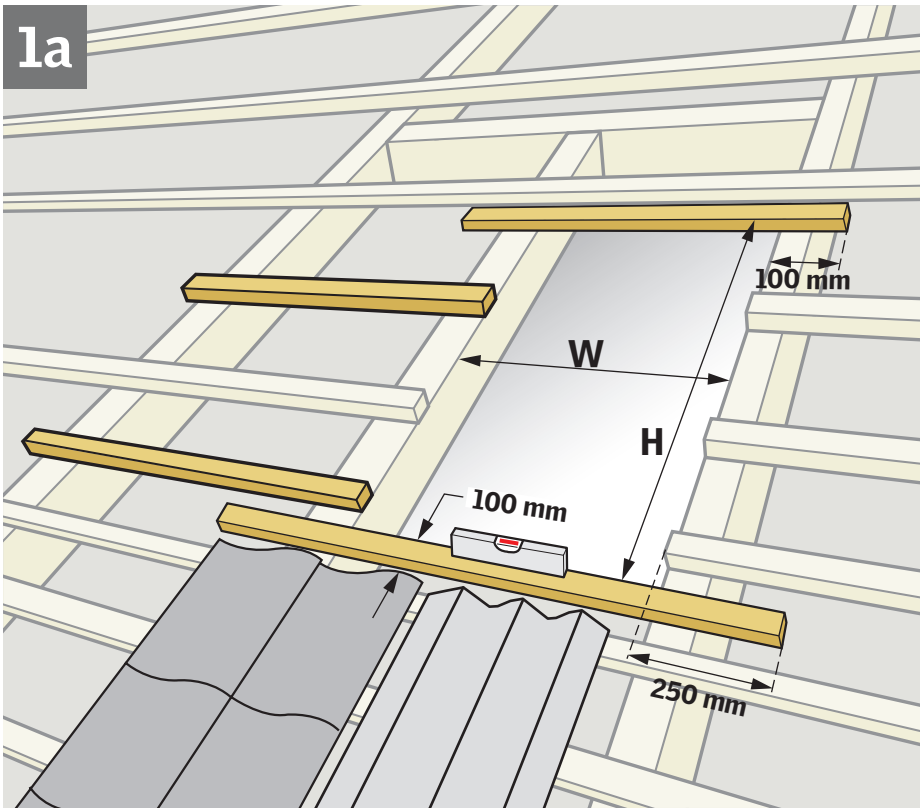
- A**: Top support rafter
- B**: Bottom support rafter
- C**: Side support rafter

## Planning for your VELUX skylight - Light shaft application



## Framing out - see flashing instructions for flashing details

1a



### Tiles and new metal sheet roofing with flashing EDW

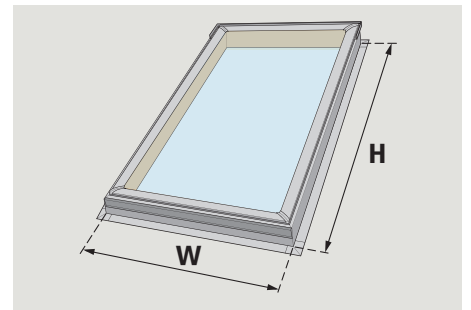
Prepare the rough opening to match the size of the skylight frame.

Install installation battens at top and bottom as shown and add support battens at the sides as necessary to support the flashing in minimum 2-3 places.

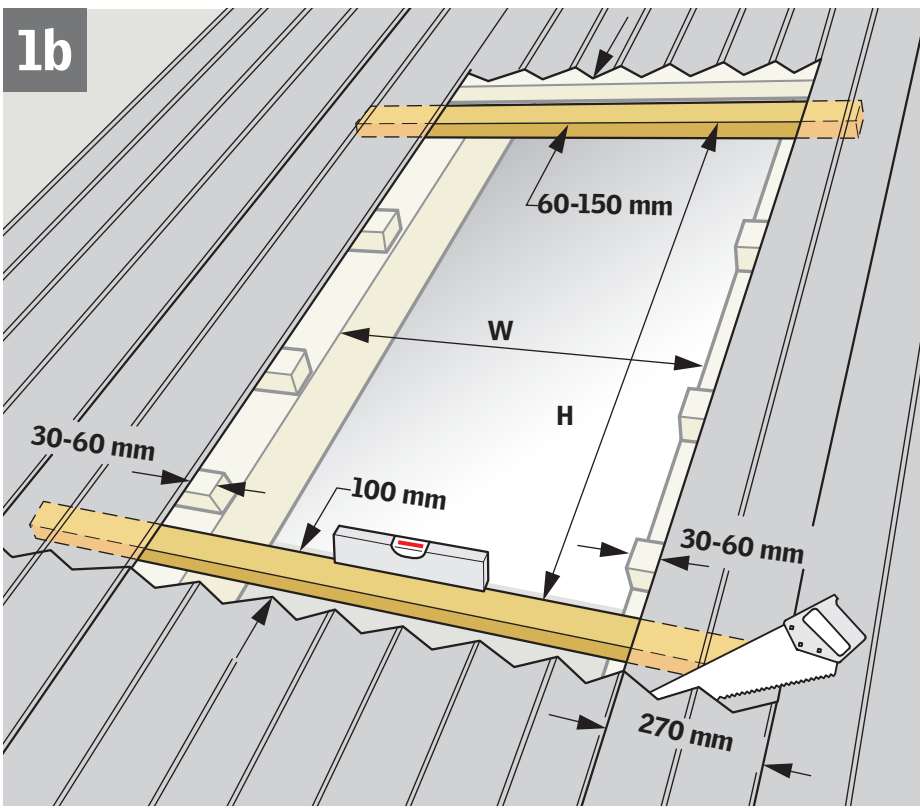
Keep 100 mm distance from edge of roofing material to top edge of installation batten.

**For tiles, ensure that the bottom of skylight frame is fitted above a complete course of tiles.**

Check for level.



1b



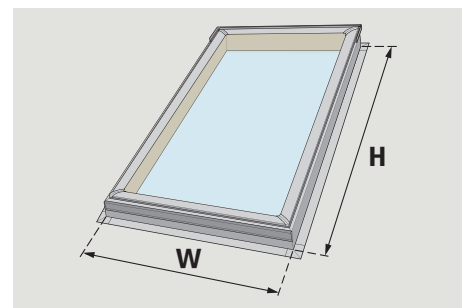
### Existing metal sheet roofing with flashing EDW

If extra metal sheets are available, consider method 1a for the best aesthetic result, otherwise use method 1b.

Cut the metal sheets as shown, maintaining the correct distance to the rough opening. Finish the rough opening to match the size of the skylight frame.

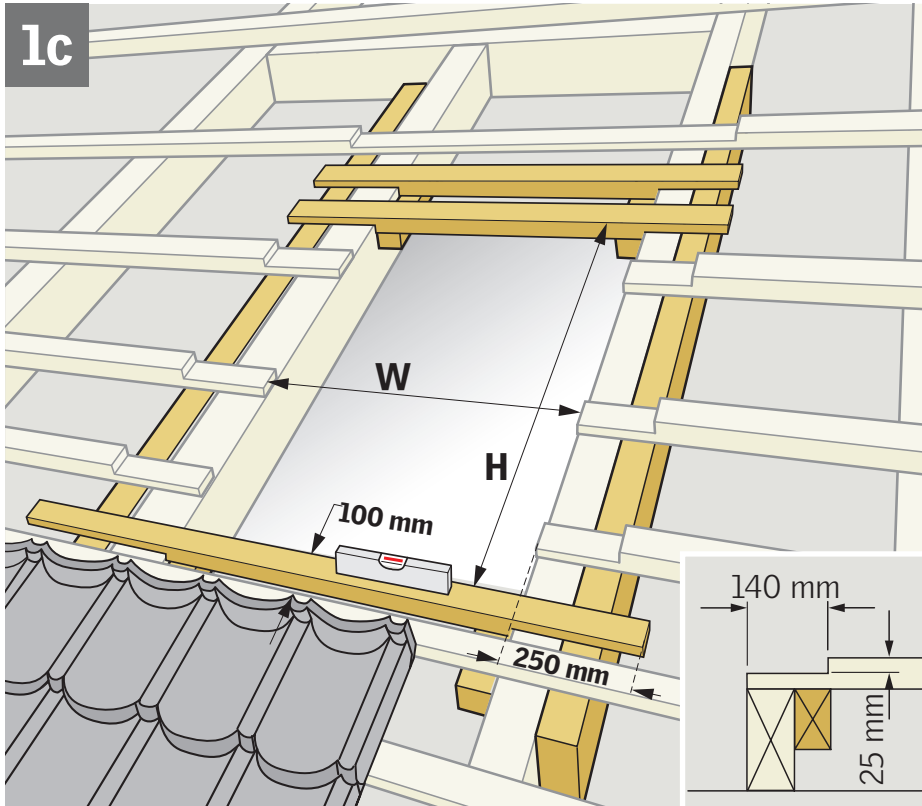
Install installation battens at top and bottom as shown and headers and jack rafter as necessary. Check for level.

**Important:** Install saddle flashing EDW before installing the skylight.



## Framing out - see flashing instructions for flashing details

1c



### Roofing material DECRA®, HARVEY™ or CORONA® with flashing EDW

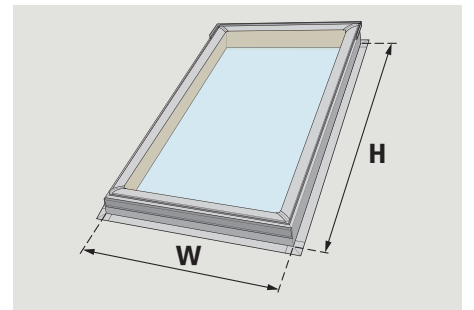
Prepare the rough opening to match the size of the skylight frame.

Install installation and support battens as shown and headers and jack rafter as necessary. Installation battens and support battens must be recessed 25 mm below batten level.

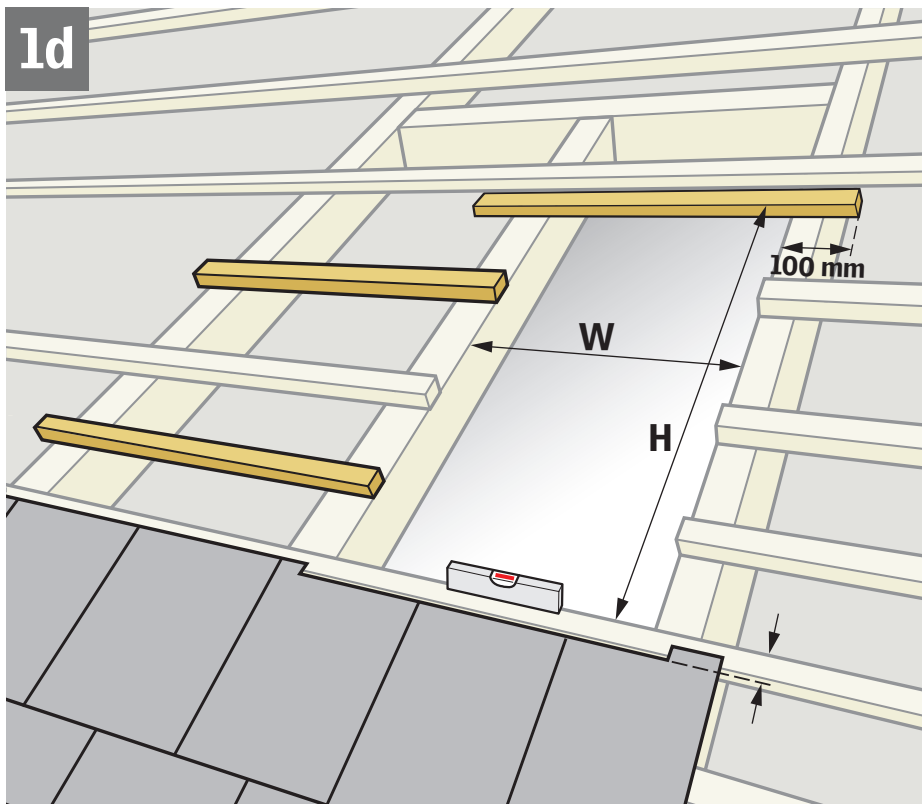
Keep 100 mm distance from edge of roofing batten to top edge of installation batten.

Check for level.

Cut roofing battens down 25 mm deep at sides and at top and 140 mm wide at sides. Install an extra trimmer to support the weakened roofing battens.



1d

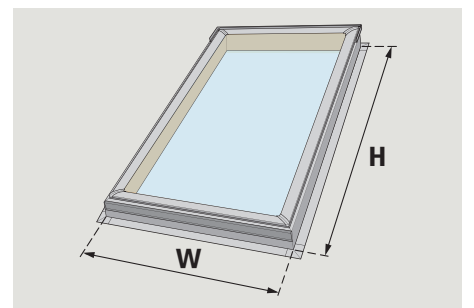


### Shingles/slates with flashing EDL

Prepare the rough opening to match the size of the skylight frame.

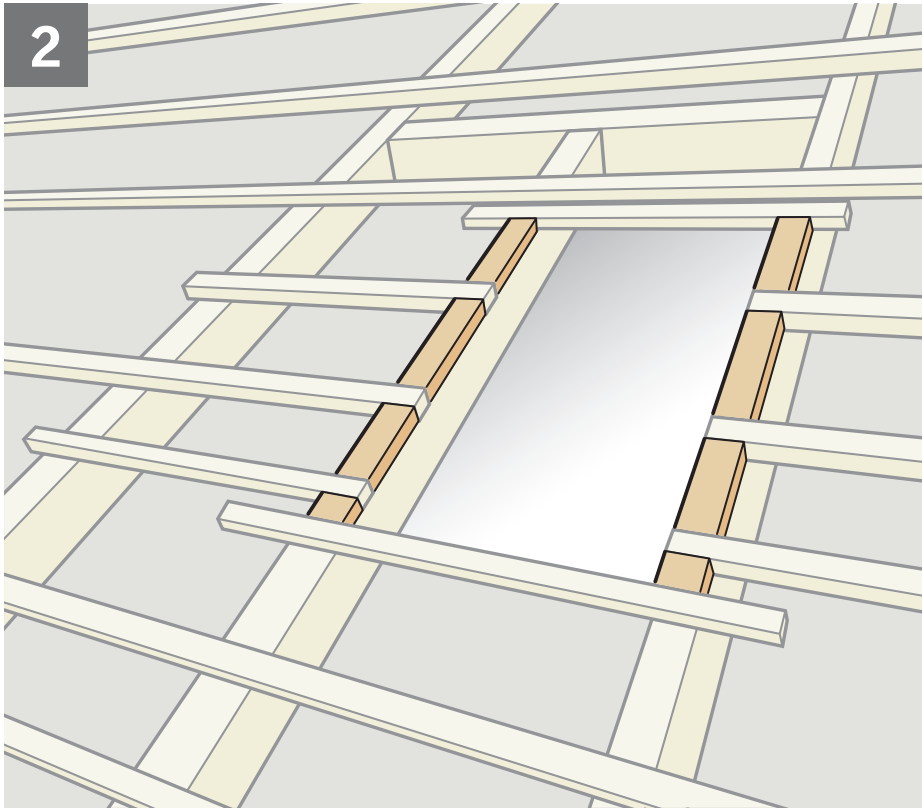
Install installation batten at top as shown and add support battens at the sides as necessary to support the flashing in minimum 2-3 places.

Check for level.



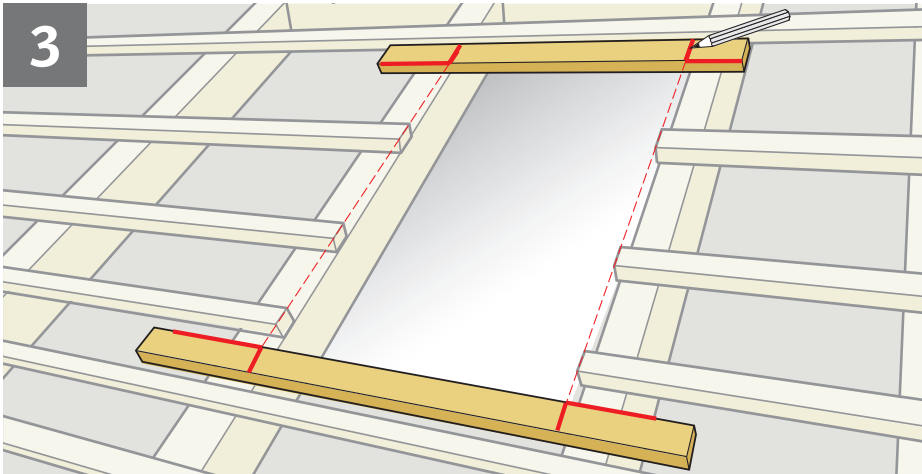
## Infill battens

2

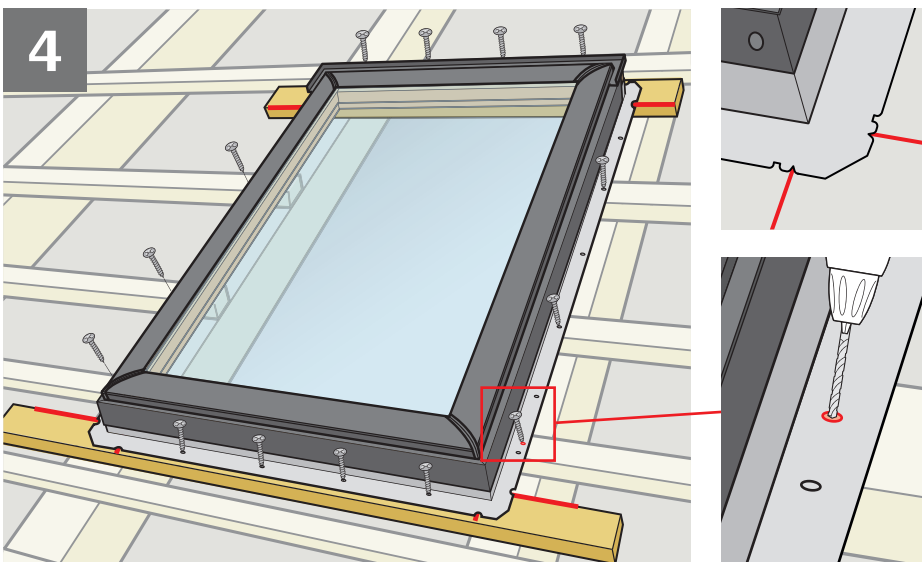


**ENGLISH:** Consider infill battens along the sides to reduce heat loss/improve thermal performance.

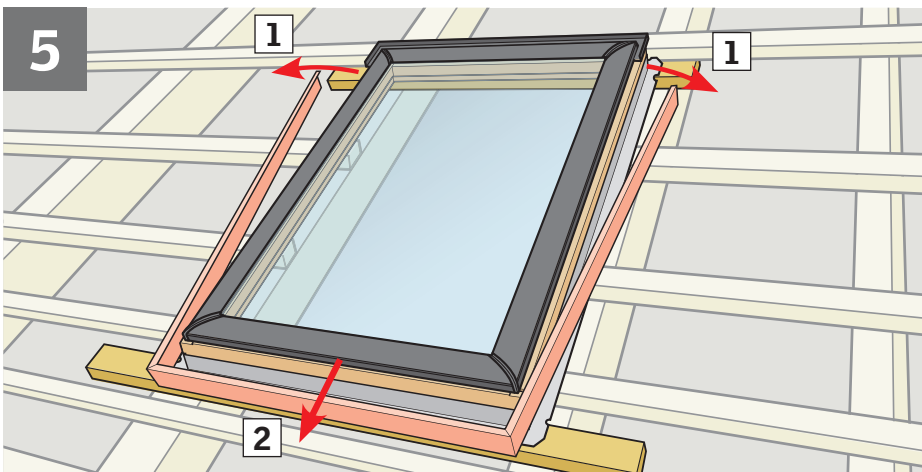
## Attachment of skylight



Mark corners of the rough opening.



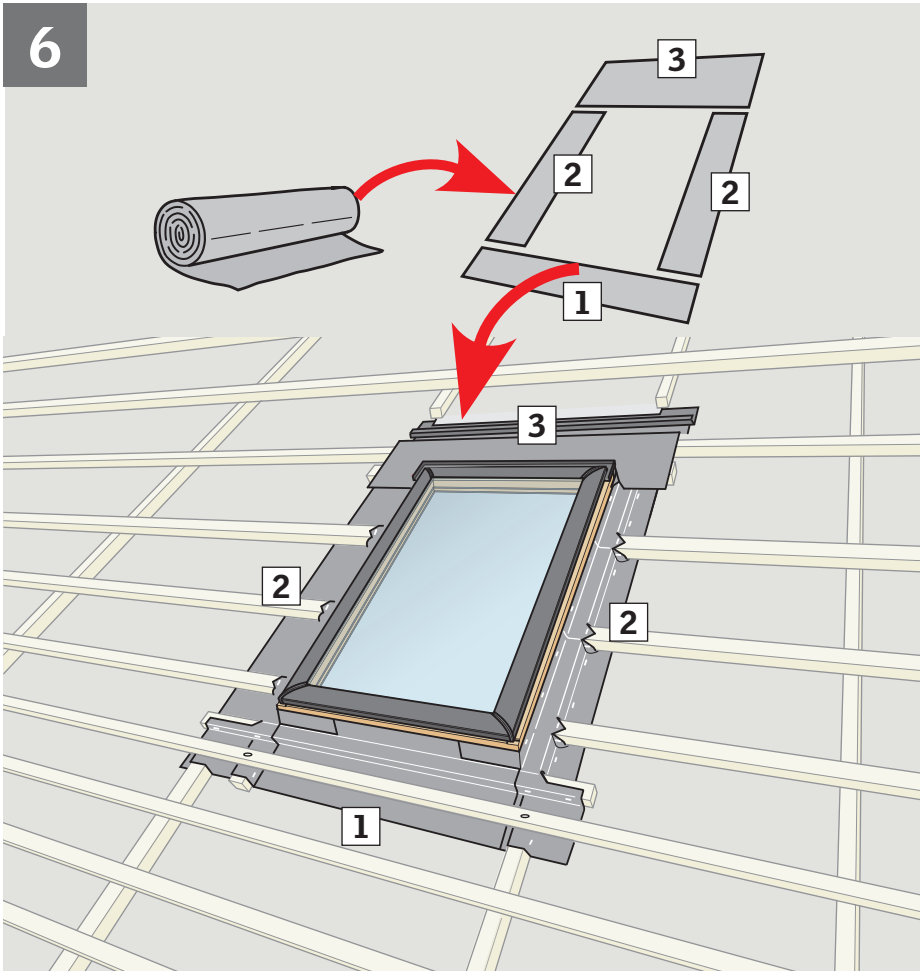
Centre the skylight over the rough opening as shown.  
Attach skylight with fasteners provided.  
Drill new holes if existing do not align with the roofing battens.



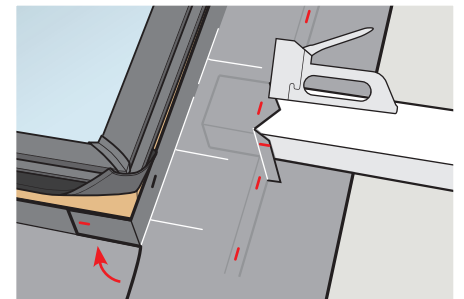
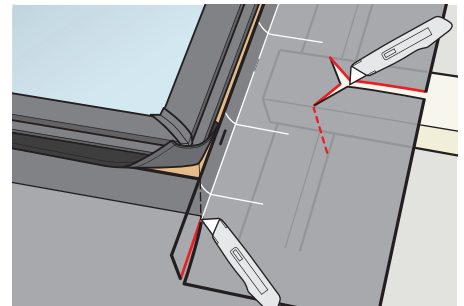
Remove cladding if underlayment is to be used.

## Installation of roofing underlayment

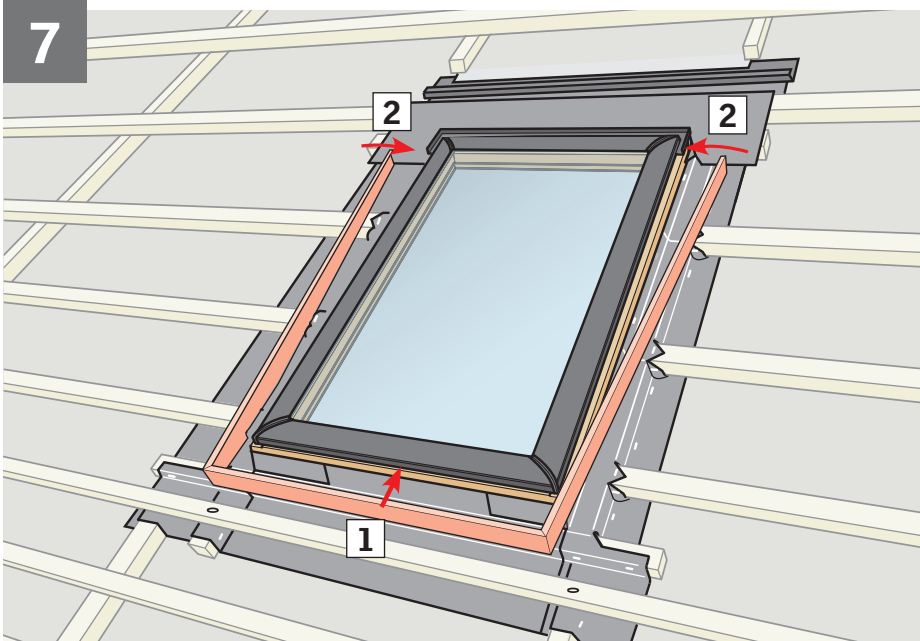
6



If roofing underlayment is used: Dress roofing underlayment up around all four sides of the frame. Roof with counter battens shown for illustration purposes.

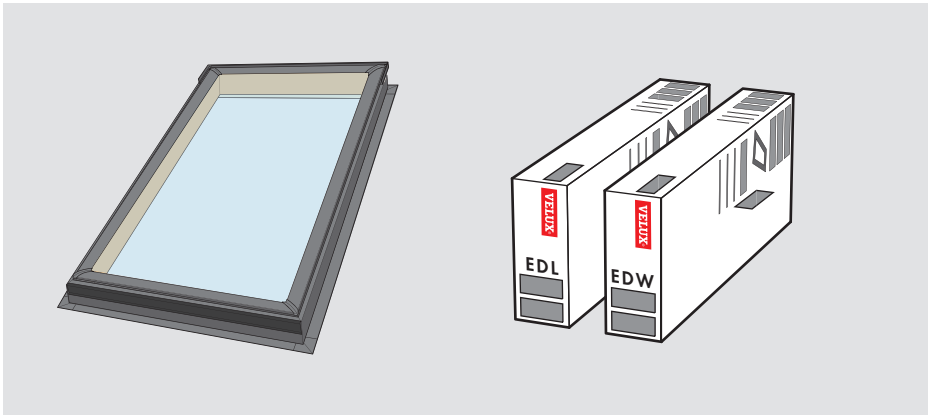


7

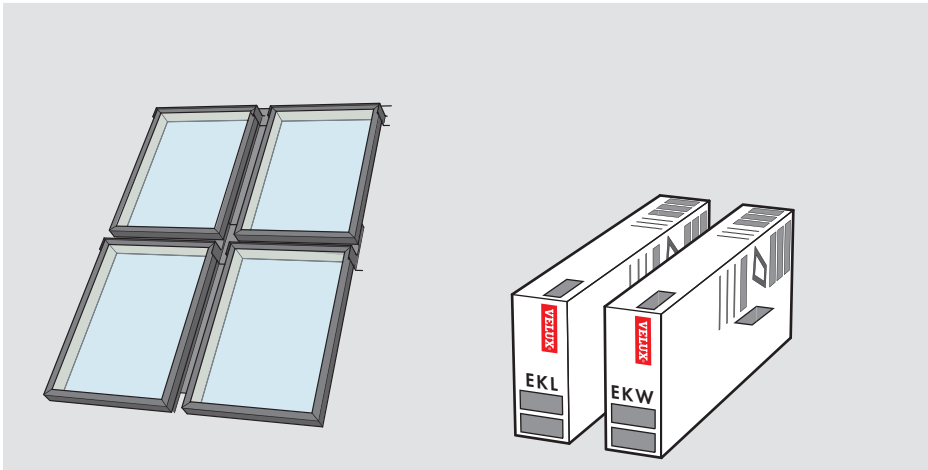


If flashing is not to be installed immediately, replace the cladding parts starting at the bottom. Interlock side frame claddings with bottom frame cladding as shown. Secure the claddings with the original screws.

# Flashing



For flashing information, see instructions supplied with the relevant flashing. Contact your VELUX sales company for skylight groupings/combinations.



**AUS:** VELUX Australia Pty. Ltd  
1300 859 856

**NZ:** VELUX New Zealand Ltd.  
0800 650 445

[www.velux.com](http://www.velux.com)