

English	Setup of wall switch KLI 311/KLI 312/KLI 313 to operate electrical products connected to a VELUX INTEGRA® control unit KLC 500	2
Deutsch	Coming soon	
Français	Coming soon	
Dansk	Coming soon	
Nederlands	Coming soon	
Italiano	Coming soon	
Español	Coming soon	
Bosanski	Coming soon	
Български	Coming soon	
Česky	Coming soon	
Eesti	Coming soon	
Hrvatski	Coming soon	
Latviski	Coming soon	
Lietuvių	Coming soon	
Magyar	Coming soon	
Norsk	Coming soon	
Polski	Coming soon	
Português	Coming soon	
Română	Coming soon	
Русский	Coming soon	
Slovenščina	Coming soon	
Slovensky	Coming soon	
Srpski	Coming soon	
Suomi	Coming soon	
Svenska	Coming soon	
Türkçe	Coming soon	
Українська	Coming soon	

Setup of wall switch KLI 311/KLI 312/KLI 313 to operate electrical products connected to a VELUX INTEGRA® control unit KLC 500

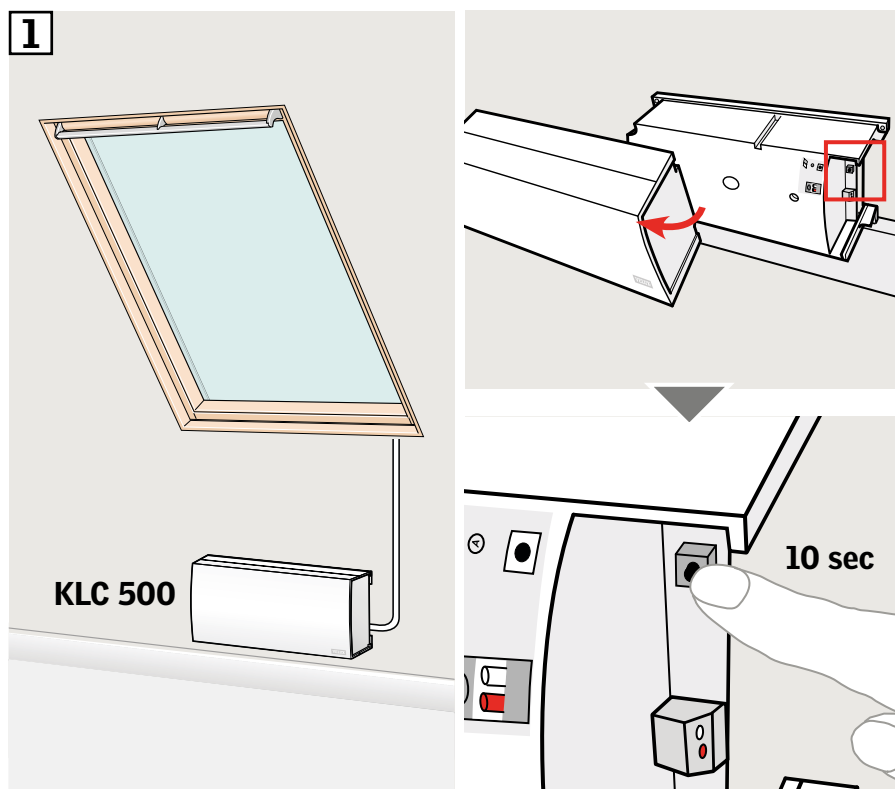
If a non-functional wall switch must be replaced or if the wall switch cannot find certain products, the products can be prepared for registration by resetting them manually.

Note: Reset products cannot be operated until they have been registered in the wall switch again.

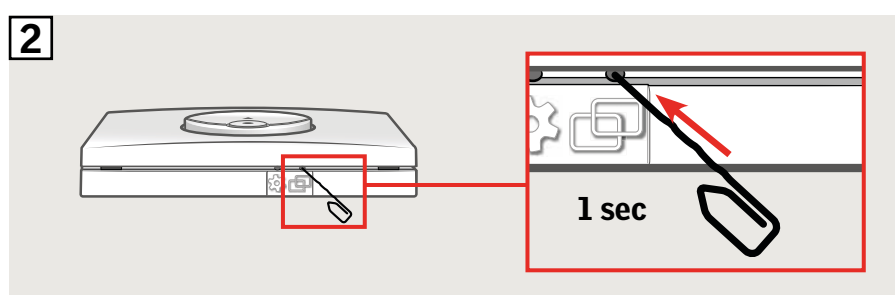
Important: The wall switch type must match the relevant product(s).

- 1 The products connected can be reset by removing the cover of the control unit and pressing the RESET button for at least 5 seconds. The connected products will run briefly back and forth in random order to indicate that they are ready for pairing.

Note: Registration (2 and 3) must now be completed within the next 10 minutes.



- 2 Press PAIR button on the wall switch for 1 second.



- 3 Press the STOP key and then the DOWN key within 3 seconds.

The products can now be operated with the wall switch.

