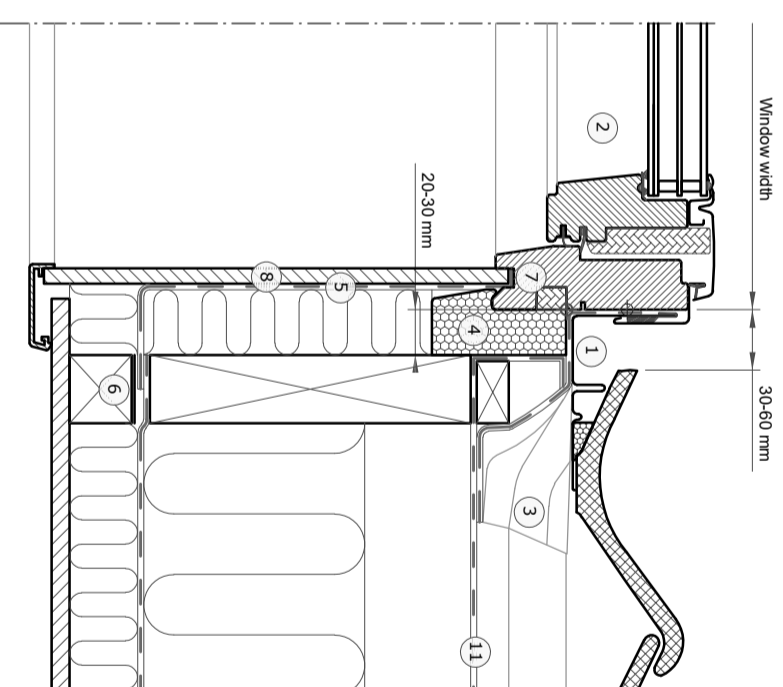


Section B-B
1:5



- ① VELUX flashing (EDG 10°-20°)
- ② VELUX window (GBL 10°-20°)
- ③ VELUX underfelt collar (BFX)
- ④ VELUX insulation frame (BDX)
- ⑤ VELUX vapour barrier (BBX)
- ⑥ VELUX vapour barrier tape (BBX)
- ⑦ Gasket on BBX in window rebate
- ⑧ VELUX Lining (LS-)
- ⑨ Installation batten (Non VELUX)
- ⑩ Trimmer where necessary (Non VELUX)
- ⑪ Felt/breather membrane (Non VELUX)

Roof covering:

Tiles
Max 120 mm

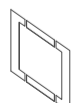


VELUX Products:

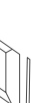
GBL
10°-20°



EDG
1000
10°-20°



BFX



BDX



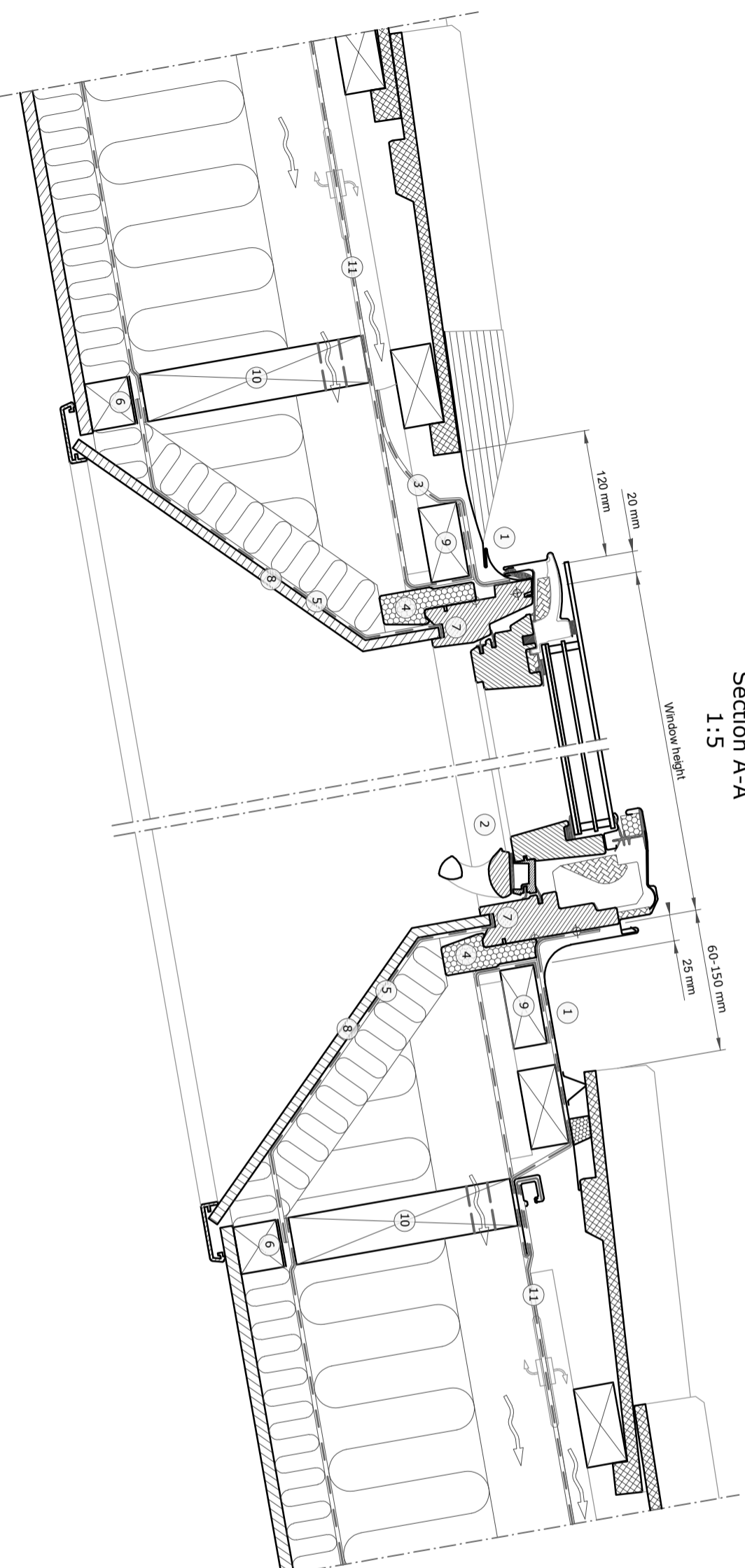
BBX



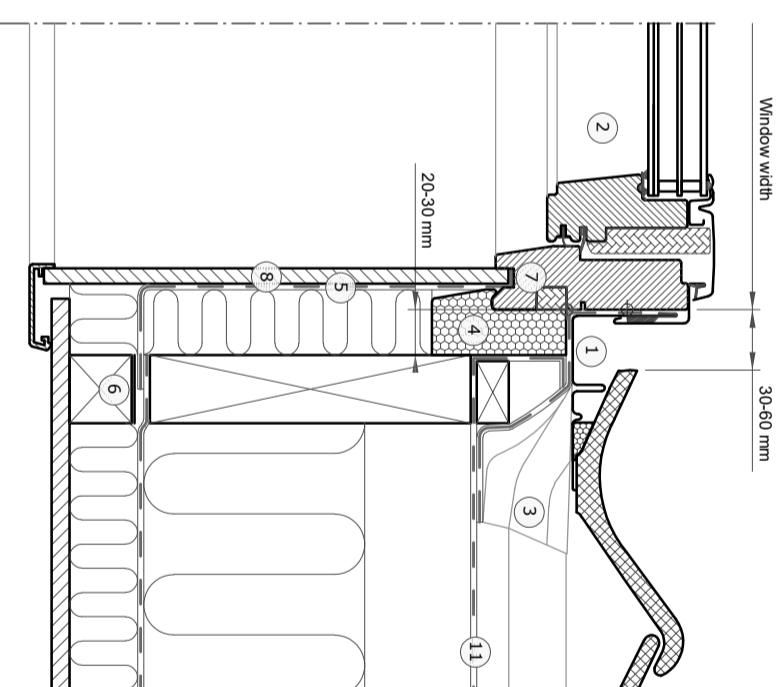
LS-



Section A-A
1:5



Section B-B
1:5



- ① VELUX flashing (EDG 10°-20°)
- ② VELUX window (GBL 10°-20°)
- ③ VELUX underfelt collar (BFX)
- ④ VELUX insulation frame (BDX)
- ⑤ VELUX vapour barrier (BBX)
- ⑥ VELUX vapour barrier tape (BBX)
- ⑦ Gasket on BBX in window rebate
- ⑧ VELUX Lining (LS-)
- ⑨ Installation batten (Non VELUX)
- ⑩ Trimmer where necessary (Non VELUX)
- ⑪ Felt/breather membrane (Non VELUX)

Roof covering:

Tiles
Max 120 mm

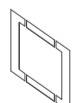


VELUX Products:

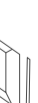
GBL
10°-20°



EDG
1000
10°-20°



BFX



BDX



BBX



LS-



VELUX window sizes:

Size	Width (mm)	Height (mm)
CK--	550	-K01 698
MK--	780	-K04 978
PK--	942	-K06 1178
SK--	1140	-K08 1398

© VELUX GROUP ® VELUX, VELUX logo are registered trademarks



File name: EDG-GBL-VAS-112-1021

Drawing no.:---

SC0:---

Create date: 21.01.2021

Rev. date: A3 Format: A3 Scale: 1:5

Note: When installing VELUX Roof Windows, flashings and installation products, the manufacturers instructions and current building and fire regulations, where applicable, must be met.