

S-Line Structural Glazing System

VELUX®

Commercial



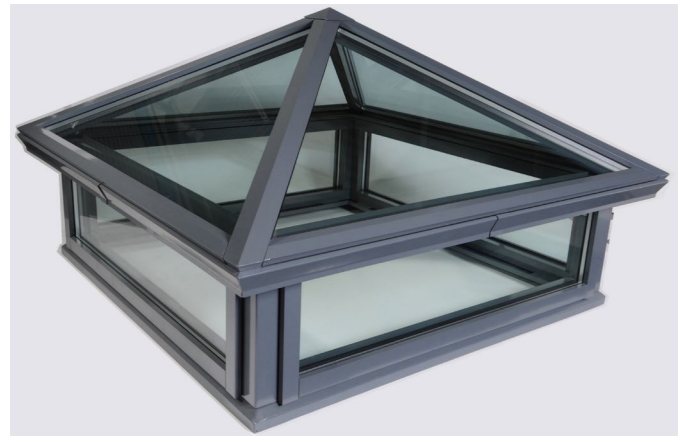
A slim-line structural glazing option

Overview

Offering flexibility with lighter sightlines for a more aesthetic appeal, available in Monopitch, Self-Supporting Ridgeline, Pyramid and Lantern configurations.

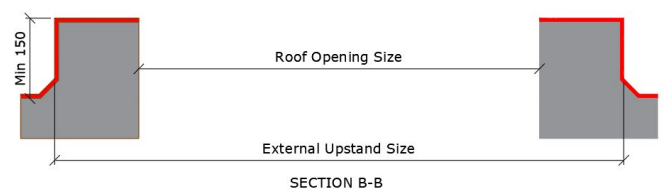
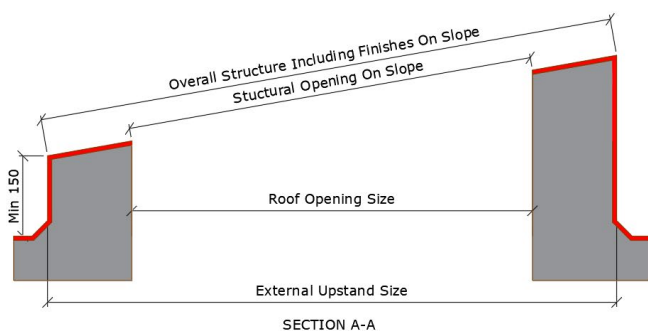
Maximum overall upstand span including roof finishes of 1.34m slope length for Monopitch and 3m for Ridgeline and Pyramid solutions.

We can also include an incorporated vent up to 1.0m (w) x 1.4m (h).



Upstand Requirements

Site built upstand required with a 100mm minimum kerb width and minimum 150mm kerb height, full upstand dimensions will be supplied via project specific drawings.



Solutions



Monopitch

Pitch 10°-90°

Max 1.34m slope x 1.17m panel width



Ridgeline and Hip Ended Ridgeline

Pitch 30° Only

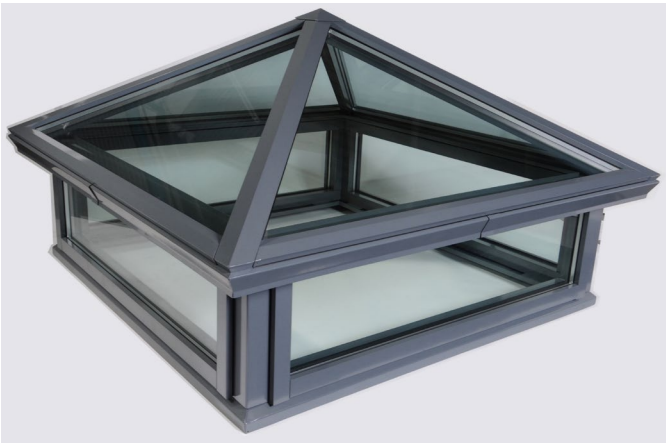
Maximum span 3m x unlimited length



Pyramid

Pitch 30°

Maximum 3m x 3m overall frame size



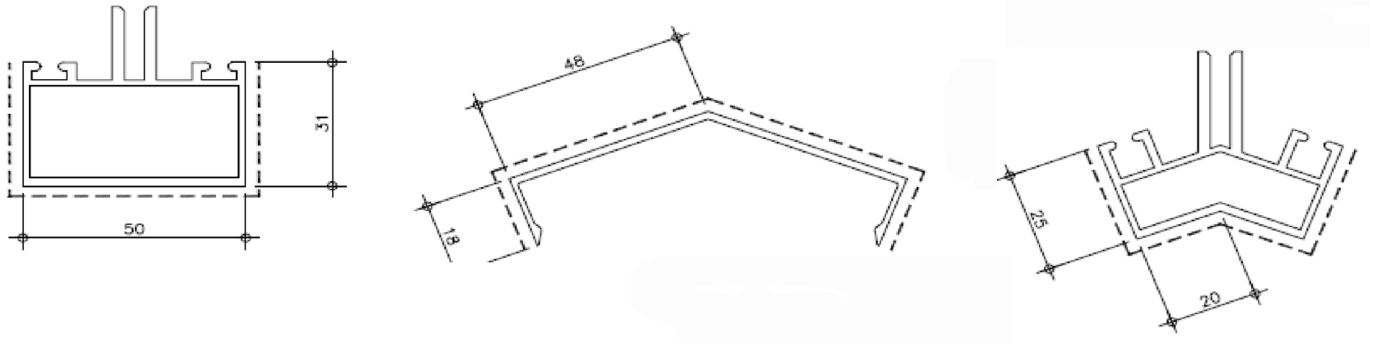
Lantern

Available for Ridgeline and Pyramid

Lantern Frame is always 400mm high

Frame and Flashings Finish

Supporting rafters, hips and cover caps can be finished in a standard Aluminium or Polyester powder coated Standard RAL colours to BS EN 12206- 1:2004, minimum film thickness 40 microns, internal and external finish can be different colour options.



Glazing Options

The S-Line system is available with various double glazing options up to 31.5mm thick, triple glazing is not available, our standard glazing offered is;

- 6mm Clear Toughened low 'E' coating
- 16mm black spacer
- Argonfilled, 9.5mm Clear Laminate (PVB Interlayer)

Alternative glazing options including solar control glazing is available on request, please contact our sales team with your glazing requirements.

Glazing Performance

- Light Transmission - Clear 69%
- Centre pane U-value – 1.1W/m²K
- G-value – 0.49
- Rw33dB Noise reduction.

Venting Options

Rectangular panels can include an incorporated comfort vent up to a maximum of 1.0 (w) x 1.4m (h) using a 230v or 24v chain actuator.

Performance

Reaction to Fire	Achieves B, s1-d0
External Fire Performance	Achieves B _{ROOF} (t4)
Fragility	CWCT Class 2 available with 9.5mm inner laminated pane, maximum glass size 1180×1775mm.