

English	Setup of wall switch 311/312/313 to operate products already registered in VELUX INTEGRA® control pad KLR 200	2
Deutsch	Coming soon	
Français	Coming soon	
Dansk	Coming soon	
Nederlands	Coming soon	
Italiano	Coming soon	
Español	Coming soon	
Bosanski	Coming soon	
Български	Coming soon	
Česky	Coming soon	
Eesti	Coming soon	
Hrvatski	Coming soon	
Latviski	Coming soon	
Lietuvių	Coming soon	
Magyar	Coming soon	
Norsk	Coming soon	
Polski	Coming soon	
Português	Coming soon	
Română	Coming soon	
Русский	Coming soon	
Slovenščina	Coming soon	
Slovensky	Coming soon	
Srpski	Coming soon	
Suomi	Coming soon	
Svenska	Coming soon	
Türkçe	Coming soon	
Українська	Coming soon	

Setup of wall switch 311/312/313 to operate products already registered in VELUX INTEGRA® control pad KLR 200

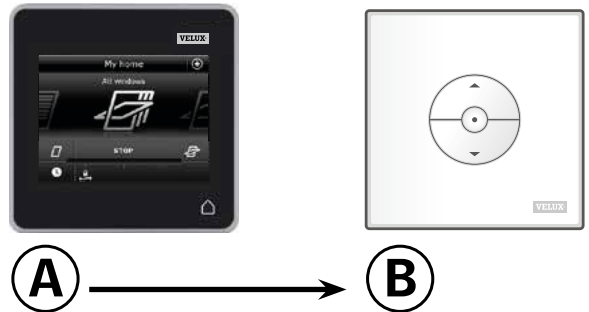


The instructions below show how to copy the contents of control pad KLR 200 to wall switch KLI 311/312/313. See also the instructions for the control pad.

Important: The wall switch type must match the relevant product(s).

Control pad KLR 200 to send a copy is called control **A**.
Wall switch KLI 311/312/313 to receive a copy is called control **B**.

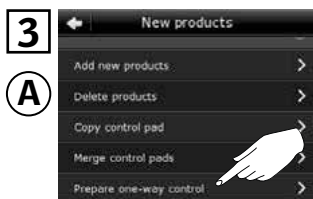
First execute items 1-5 with **A**.



Tap **+**.



Tap "New product".



Tap "Prepare one-way control".

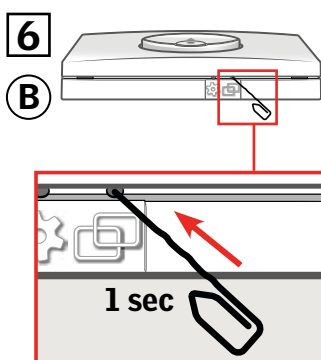


Tap "Choose products".



Scroll down the display and choose the product to be added **1**.
Note: individual products can be identified by tapping the icon.
Tap **⇒ 2**.

You now have 10 minutes to execute item 6 with **B**.



Press PAIR button on **B** for 1 second to register the product.
You can now operate the chosen product with **B**.



Tap **⏠** to finish.
Note: To add more products, tap "Choose more" and repeat items 5-7.